
GENERAL
INSTRUCTIONS

JOHNSON *Sea-horse*
OUTBOARD MOTORS

for

Model TN(L)

Johnson Motors
WAUKEGAN, ILLINOIS



Warranty

We warrant each new outboard motor of our manufacturer to be free from defects in material and workmanship under normal use and service, our obligation under this warranty being limited to making good at the factory any part or parts thereof which shall, within three (3) months after delivery of such motor to original purchasers, be returned to us with transportation charges prepaid, and which our examination shall disclose to our satisfaction to have been thus defective; this warranty being expressly in lieu of all other warranties and representations expressed or implied and of all other liabilities in connection with the sale or use of any motors.

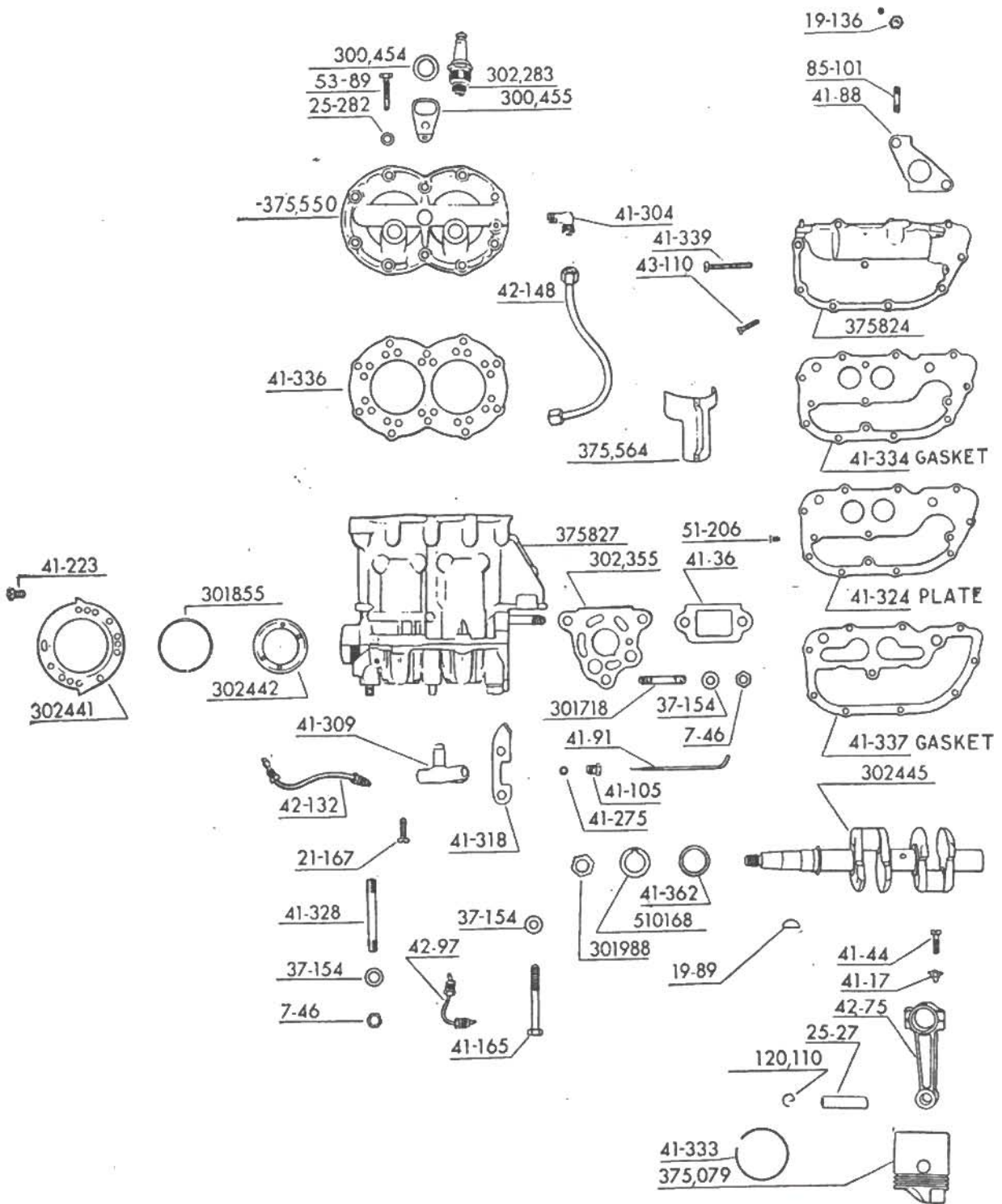
This warranty shall not apply to any motor which shall have been repaired or altered outside the factory in any way so as to affect its stability, nor which has been subject to misuse, negligence or accident. Warranty is void if motor is used for racing purpose.

We make no warranty in respect to trade accessories not of our manufacture; inasmuch as they are usually warranted separately by their respective manufacturers.

Because of the usual strains and accidents to which such products may be subjected, we make no warranty of either material or workmanship in racing outboard motors or any of our products when used for racing.

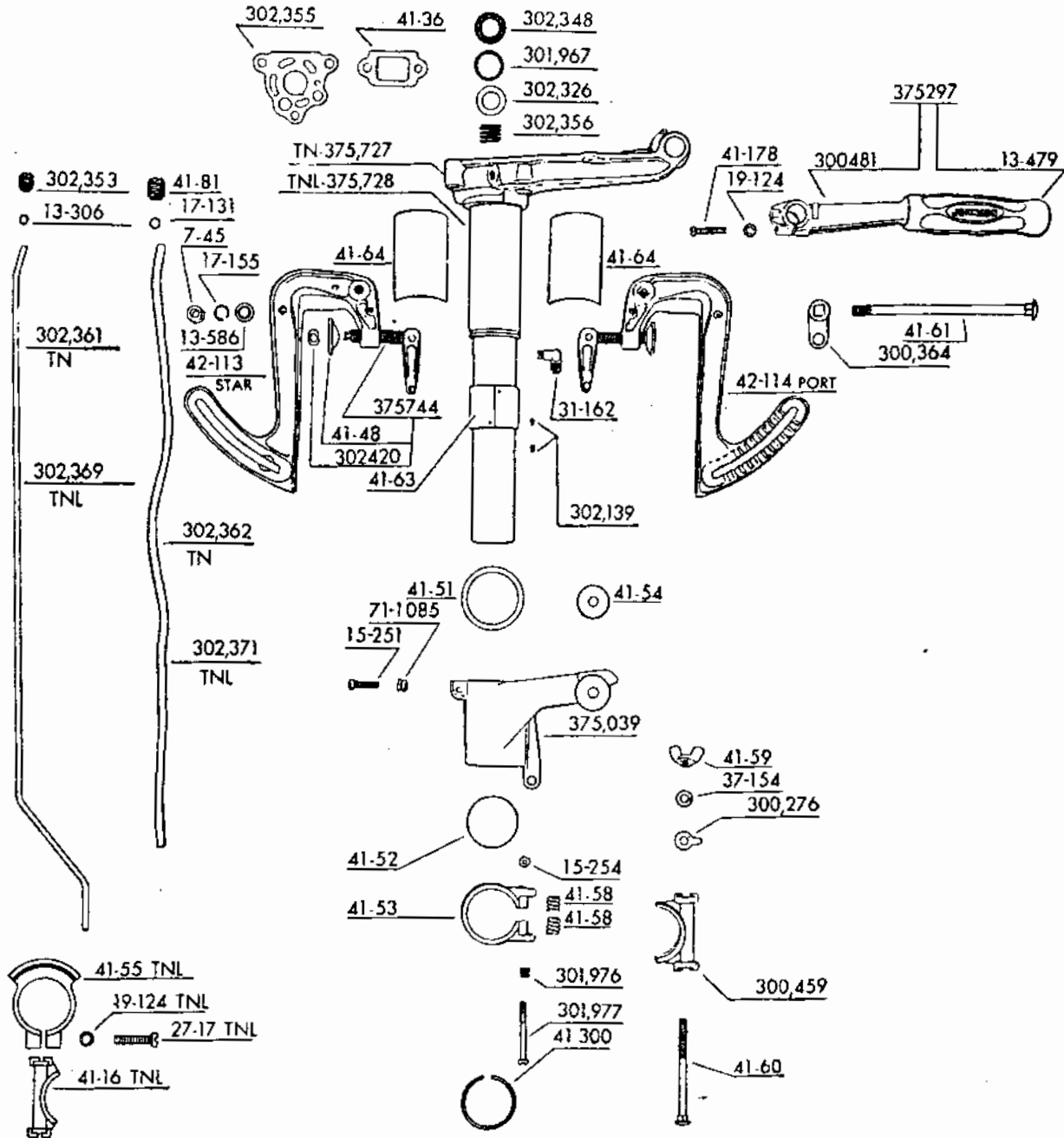
Claims must be entered on motors or motor parts returned to the factory for inspection, repair or replacement. Request form No. SE-16 from local Johnson Dealer or Service Station. This form should be filled in, signed by the motor owner and dealer or service station representatives and mailed to the factory with returned material, **TRANSPORTATION CHARGES PREPAID.**

POWER HEAD PARTS



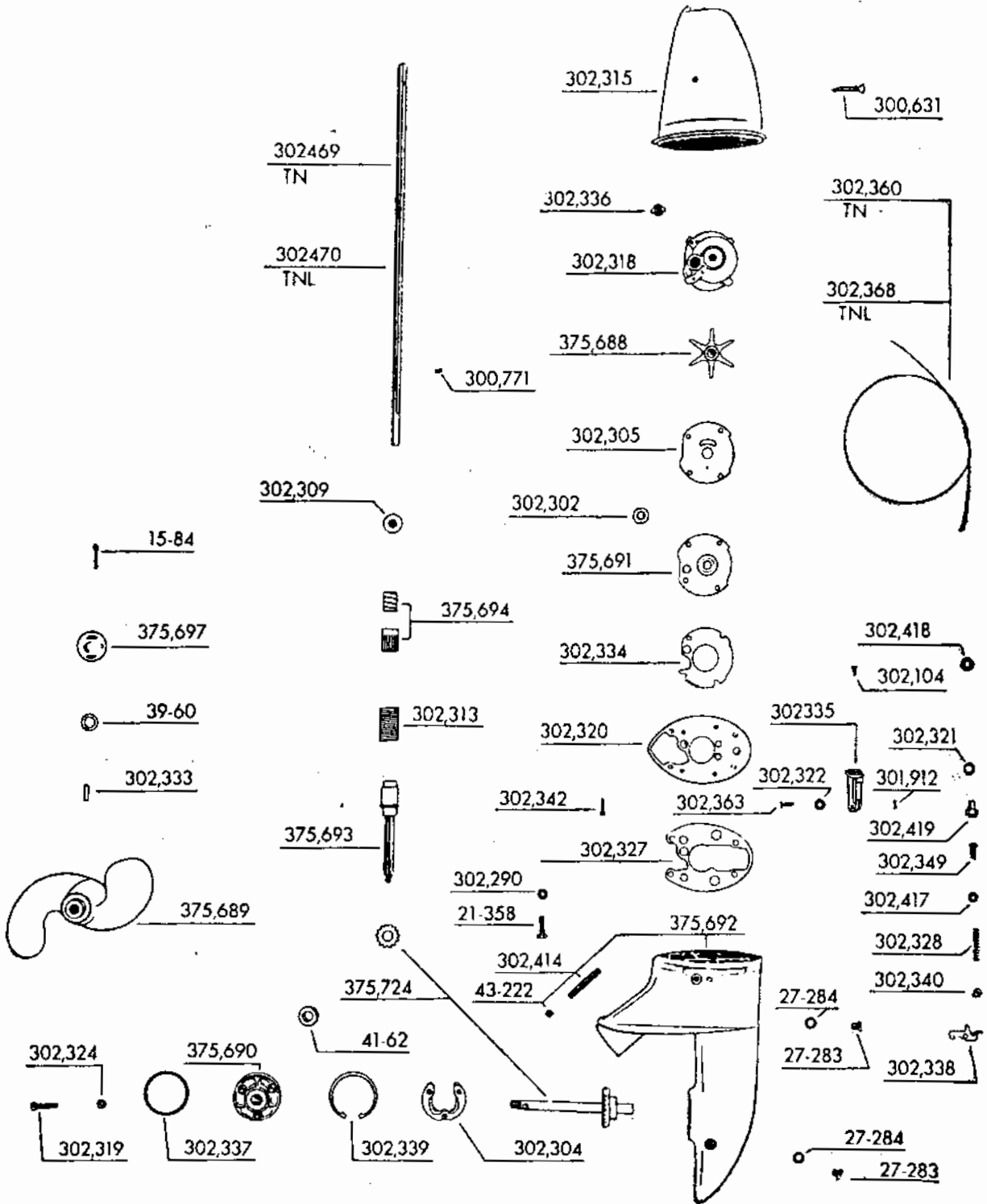
Order All Parts from Nearest Service Station or Dealer

LOWER UNIT PARTS



Order All Parts from Nearest Service Station or Dealer

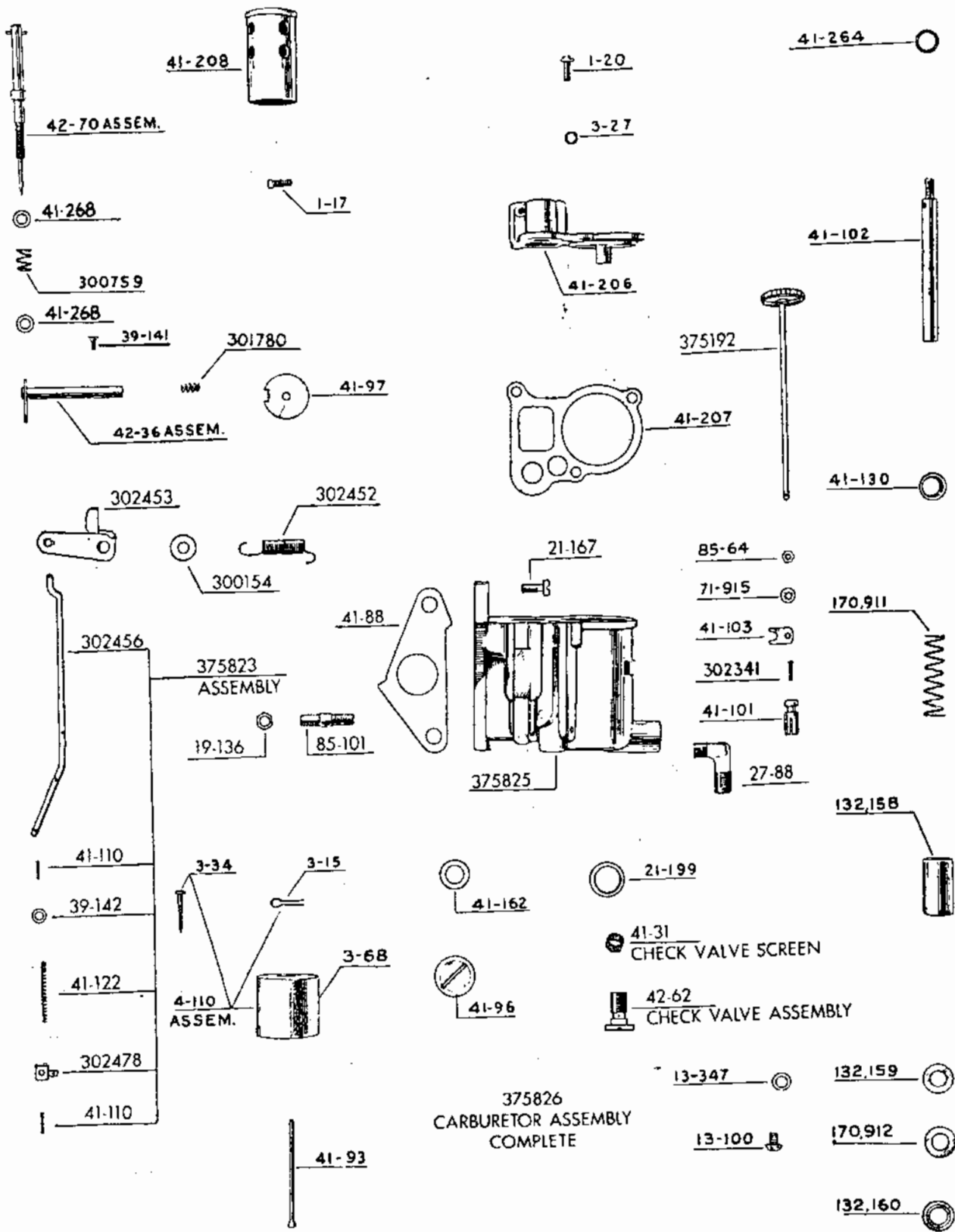
LOWER UNIT PARTS



Order All Parts from Nearest Service Station or Dealer

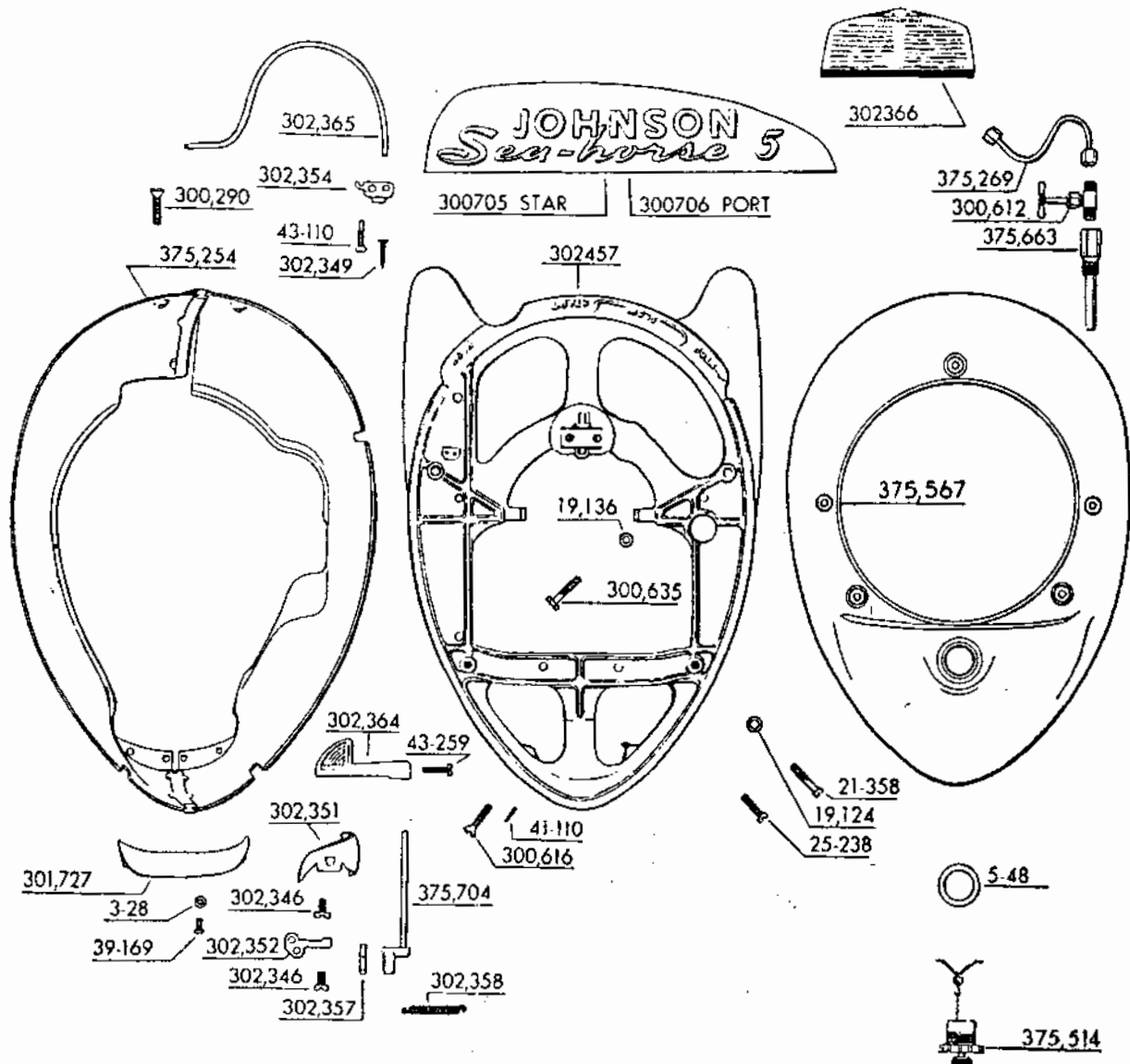
Always Give Part Number and Motor Number

CARBURETOR PARTS



Order All Parts from Nearest Service Station or Dealer

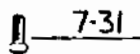
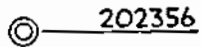
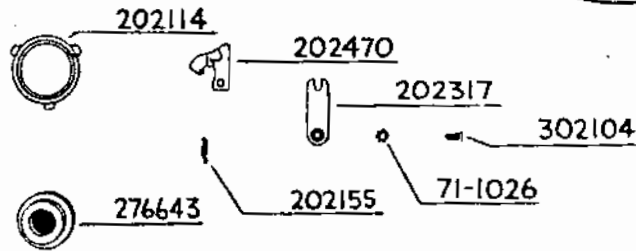
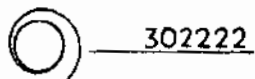
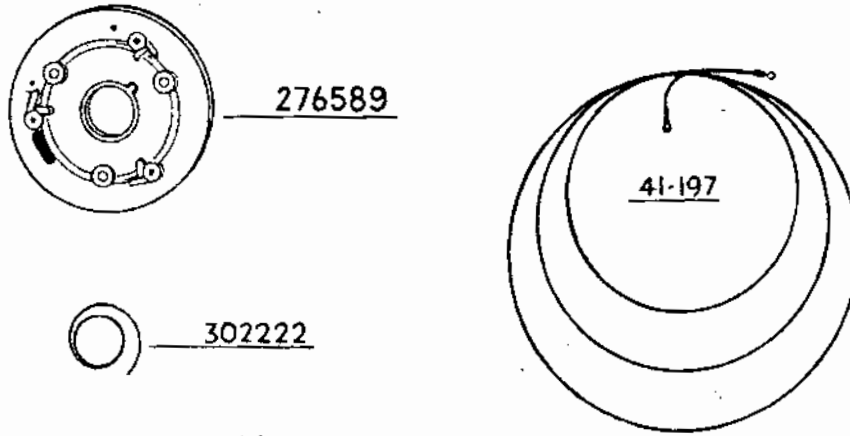
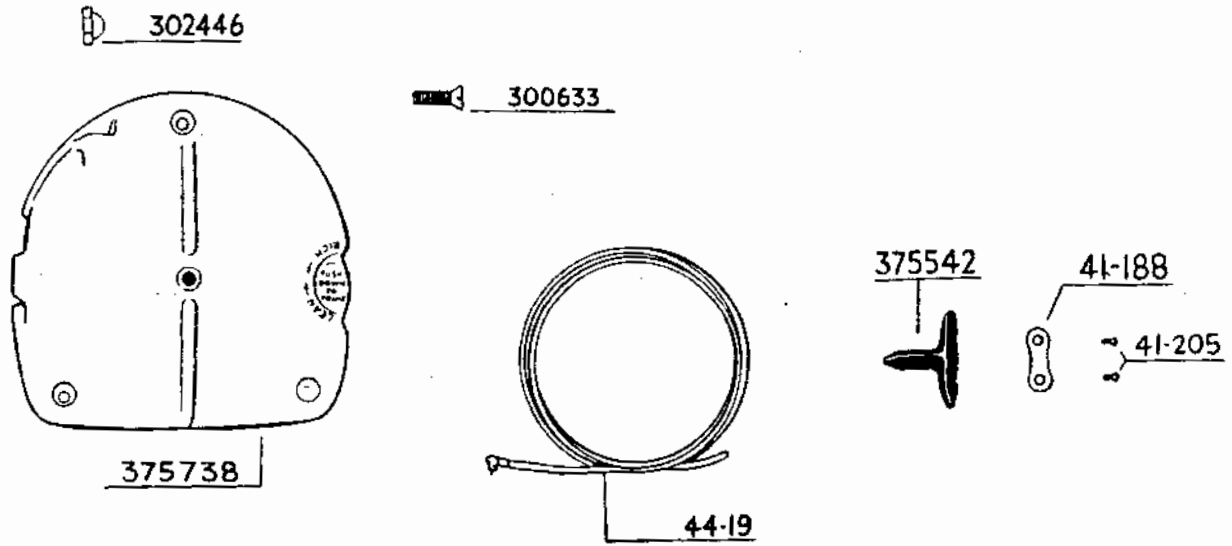
GAS TANK, SHROUD, MOUNTING PLATE AND TRANSFERS



NOTES

Order All Parts from Nearest Service Station or Dealer

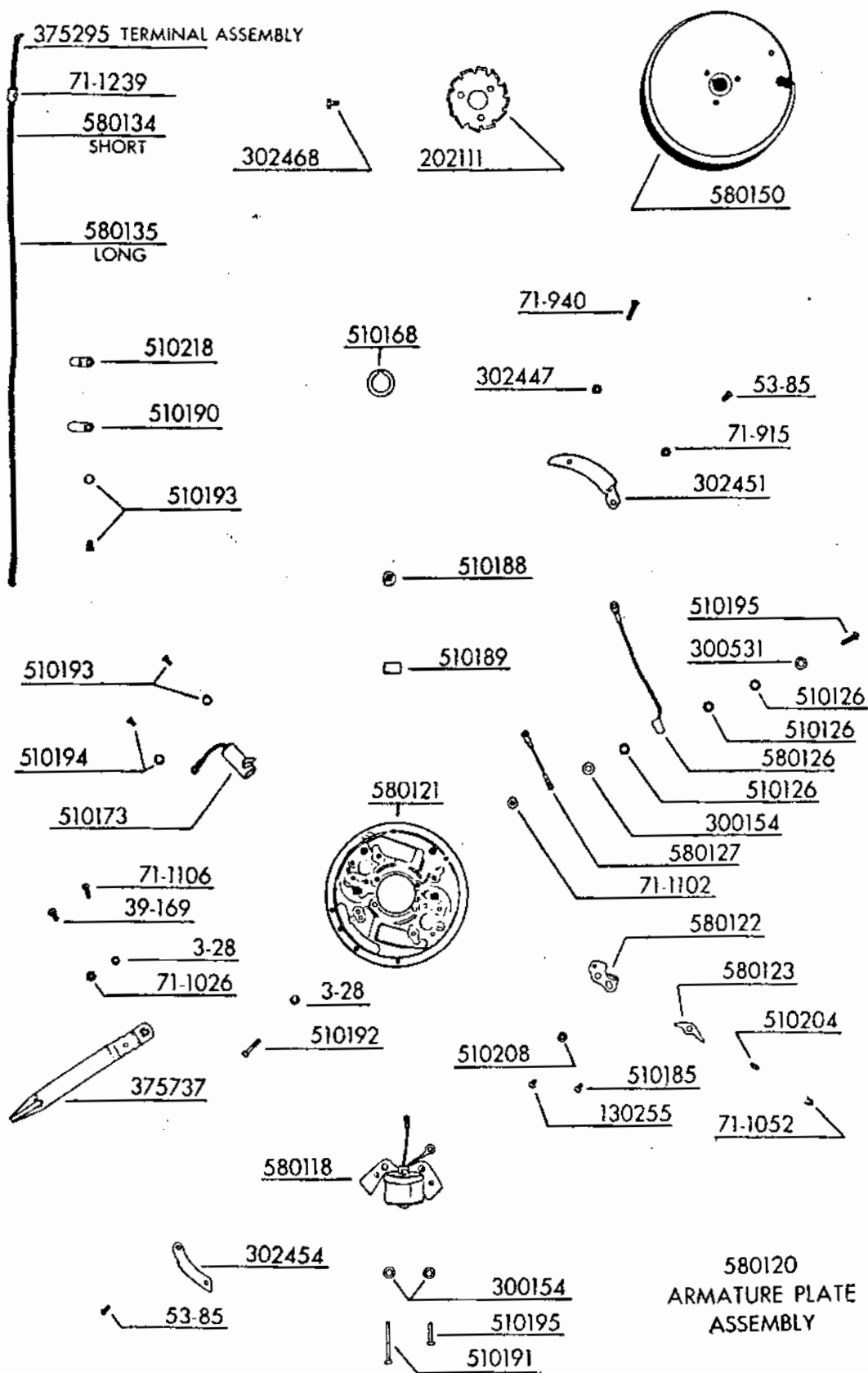
STARTER PARTS



STARTER ASSEMBLY COMPLETE - 375828

Order All Parts from Nearest Service Station or Dealer

MAGNETO PARTS



Order All Parts from Nearest Service Station or Dealer

PART NO. 1-17 TO 41-31 INCL.

Part No.	No. Required per Motor	NAME OF PART	List Price per Piece
1-17	1	Set Screw - Air Silencer.....	.05
1-20	3	Screw - Carburetor Cover.....	.025
3-15	1	Cotter Pin - Float.....	.025
3-27	3	Lockwasher - Carburetor Cover Screw.....	.025
3-28	7	Lockwasher - Timing Lever Screw - Retaining Ring Mounting - Carrying Handle to Side Cover Screw.....	.025
3-34	1	Wood Screw - Float.....	.025
3-68	1	Float - Carburetor.....	.20
4-110	1	Float Assembly - Carburetor.....	.55
5-48	1	Gasket - Filler Cap.....	.05
7-31	1	Screw - Spindle to Starter Housing.....	.10
7-45	1	Nut - Tilting Shaft.....	.05
7-46	9	Nut - Crankcase to Flange and Steering Bracket - Cylinder to Crankcase.....	.025
11-61	2	Gland - Oil Line.....	.05
13-100	2	Screw - Carburetor Drain.....	.025
13-306	5	Gland - Slow Speed and High Speed Gasoline Line - Control Cable Tube to Flange.....	.025
13-307	2	Nut - High Speed Gas Line.....	.05
13-347	3	Washer - Jet and Drain Screw.....	.025
13-479	1	Grip - Steering Handle.....	.55
13-586	1	Washer - Tilting Shaft Nut.....	.05
15-84	1	Cotter Pin - Propeller Nut.....	.025
15-251	1	Screw - Swivel Bracket.....	.025
15-254	1	Nut - Pilot Screw.....	.025
17-131	3	Gland - Water Pipe.....	.025
17-132	2	Nut - Water Pipe.....	.10
17-155	1	Lockwasher - Tilting Shaft Nut.....	.025
19-89	1	Key - Crankshaft (Order Part No. 120395).....	
19-124	6	Lockwasher - Steering Handle Screw, Gas Tank Mounting (Reverse Lock Screw TNL).....	.025
19-136	3	Nut - Carburetor Stud and Mounting Plate to Crankcase....	.05
21-167	5	Screw - Carburetor Flange to Muffler and Cylinder to Crankcase.....	.025
21-199	1	Gasket - Check Valve.....	.025
21-358	8	Screw - Gas Tank to Mounting Plate.....	.05
25-27	2	Wrist Pin.....	.50
25-238	2	Screw - Mounting Plate to Cylinder.....	.05
25-282	10	Washer - Cylinder Head Screws.....	.025
27-17	1	Screw - Reverse Lock (TNL).....	.05
27-88	1	Elbow - Carburetor Gas Line.....	.20
27-283	2	Screw - Oil Plug - Fill and Drain.....	.30
27-284	2	Washer - Oil Plug - Fill and Drain.....	.025
27-308	2	Nut - Slow Speed Gas Line.....	.10
31-162	1	Elbow - Water Pipe.....	.30
37-154	12	Washer - Cylinder to Crankcase Studs - Thrust Socket Bolt Nut End and Flange to Crankcase.....	.025
39-60	1	Lockwasher - Propeller Nut.....	.10
39-141	1	Screw - Stem to Throttle.....	.025
39-142	1	Washer - Control Rod.....	.025
39-169	5	Screw - Carrying Handle to Side Covers - Timing Lever.....	.025
41-16	1	Thrust Socket (TNL).....	1.15
41-17	4	Lockplate - Connecting Rod Screws.....	.025
41-31	1	Screen - Check Valve.....	.10

Order All Parts from Nearest Service Station or Dealer

PART NO. 41-36 TO 41-337 INCL.

Part No.	No. Required per Motor	NAME OF PART	List Price per Piece
41-36	1	Gasket - Cylinder to Flange.....	.05
41-44	4	Screw - Connecting Rod.....	.05
41-45	1	Spring - Steering Handle.....	.10
41-48	2	Swivel Plate.....	.10
41-51	1	Thrust Washer - Swivel Bracket.....	.30
41-52	1	Lining - Pilot Band.....	.30
41-53	1	Pilot Band.....	.85
41-54	2	Thrust Washer.....	.05
41-55	1	Reverse Lock (TNL).....	1.00
41-58	2	Spring - Pilot Band.....	.05
41-59	1	Wing Nut - Thrust Socket Bolt.....	.45
41-60	1	Thrust Socket Bolt.....	.30
41-61	1	Bolt - Tilting Shaft.....	.20
41-62	1	Grease Retainer - Gearcase Head.....	.60
41-63	1	Lining - Thrust Socket.....	.50
41-64	2	Lining - Swivel Bracket.....	.50
41-81	1	Nut - Water Pipe - Upper.....	.15
41-88	1	Gasket - Carburetor Flange.....	.05
41-91	1	Needle Valve - Slow Speed.....	.30
41-93	1	Float Pin.....	.50
41-96	1	Screw - Plug for Float Valve.....	.10
41-97	1	Throttle Valve.....	.10
41-101	1	Sleeve - Needle Valve.....	.20
41-102	1	Plunger.....	.45
41-103	1	Fork - Plunger.....	.025
41-105	3	Nut - Oil Line - Slow Speed Needle Valve.....	.10
41-110	5	Pin - Side Cover Screw - Swivel Control - Control Rod.....	.025
41-122	1	Spring - Control Rod.....	.05
41-130	1	Cup - Plunger.....	.05
41-162	1	Washer - Plug for Float Valve.....	.025
41-165	2	Screw - Flange to Cylinder.....	.05
41-166	3	Groove Pin - High Speed Needle Valve - Plunger.....	.025
41-178	1	Screw - Steering Handle.....	.025
41-188	1	Plate - Rope Handle.....	.05
41-197	1	Main Starter Spring.....	1.10
41-205	2	Screw - Clamp Plate to Handle.....	.025
41-206	1	Cover - Carburetor.....	1.25
41-207	1	Gasket - Carburetor Cover.....	.05
41-208	1	Air Silencer - Carburetor.....	.35
41-219	1	Wrench.....	.30
41-223	4	Screw - Armature Plate Support.....	.05
41-264	1	Washer - Pump Plunger.....	.025
41-268	2	Washer - Needle Valve Spring.....	.025
41-275	3	Packing - Slow Speed Needle Valve.....	.025
41-300	1	Snap Ring - Flange and Steering Bracket.....	.05
41-304	1	Elbow - Water Tube.....	.35
41-309	1	Slow Speed Intake.....	1.40
41-318	1	Support - Slow Speed Needle.....	.05
41-324	1	Plate - Muffler to Cylinder.....	.85
41-328	6	Stud - Cylinder to Crankcase.....	.10
41-333	6	Piston Rings.....	.35
41-334	1	Gasket - Plate to Muffler.....	.10
41-336	1	Gasket - Cylinder Head.....	.15
41-337	1	Gasket - Plate to Cylinder.....	.10

Order All Parts from Nearest Service Station or Dealer

PART NO. 41-339 TO 300459 INCL.

Part No.	No. Required per Motor	NAME OF PART	List Price per Piece
41-339	1	Screw - Muffler - Long.....	.025
41-340	1	Socket Wrench50
41-362	1	Oil Slinger025
42-36	1	Throttle Arm and Shaft Assembly.....	.50
42-62	1	Check Valve Assembly.....	1.10
42-70	1	Needle Valve - High Speed.....	.75
42-75	2	Connecting Rod and Lockplate Assembly.....	2.75
42-97	1	Oil Line Assembly.....	.45
42-113	1	Stern Bracket and Clamp Screw Assembly - Star.....	2.75
42-114	1	Stern Bracket and Clamp Screw Assembly - Port.....	2.75
42-132	1	Gasoline Line Assembly - Slow Speed.....	.50
42-147	2	Piston, Connecting Rod and Ring Assembly.....	7.45
42-148	1	Water Line Assembly - Outlet.....	.60
43-110	11	Screw - Muffler - Short - Cap to Mounting Plate.....	.025
43-128	1	Feeler Gauge10
43-222	1	Plug - Gearcase - Lower.....	.025
43-252	1	Handle - Socket Wrench.....	.20
43-259	1	Screw - Control Handle to Shaft.....	.025
44-19	1	Starter Cord and Anchor Assembly.....	1.75
51-206	4	Screw - Muffler to Plate.....	.025
53-85	3	Screw - Stop to Armature Plate and Throttle Cam.....	.025
53-89	10	Screw - Cylinder Head to Cylinder.....	.05
71-915	2	Lockwasher - Plunger Nut - Throttle Cam Screw.....	.025
71-940	1	Screw - Throttle Cam.....	.025
71-1026	4	Lockwasher - Retainer Screw - Timing Lever Screw.....	.025
71-1052	2	Spring Clip - Breaker Post.....	.025
71-1085	1	Spring - Swivel Bracket.....	.10
71-1102*	1	Nut - Stop Switch.....	.025
71-1106	1	Screw - Timing Lever.....	.10
71-1239	1	Marker - High Tension Lead Assembly - Upper.....	.05
85-64	1	Nut - Plunger to Fork.....	.025
85-101	1	Stud - Carburetor to Cylinder.....	.10
120110	4	Lockring - Wrist Pin.....	.025
120395	1	Key - Crankshaft.....	.05
130255	2	Screw - Breaker Mounting.....	.025
132158	1	Sleeve - Plunger45
132159	1	Packing Washer - Top.....	.05
132160	1	Packing Washer - Bottom.....	.15
170911	1	Spring - Plunger025
170912	2	Packing Washer - Leather.....	.15
200322	2	Spark Plug80
202111	1	Ratchet - Starter35
202114	1	Equalizer Cup - Starter.....	.20
202155	3	Spring - Equalizer Cup - Starter.....	.10
202317	3	Retainer - Starter Pawl.....	.20
202356	1	Washer - Starter Spindle.....	.10
202470	3	Starter Pawl20
276589	1	Starter Pulley	2.20
276643	1	Spindle and Pin Assembly.....	.55
300154*	8	Washer - Coil and Lamination Mounting - *Stop Switch - Cam Lever Pin025
300276	1	Lockplate - Port - Stern Bracket.....	.10
300290	2	Screw - Side Cover to Mounting Plate - Front.....	.05
300364	1	Link - Safety Chain05
300454	1	Grommet - Ignition Lead.....	.05
300455	1	Anchor - Ignition Lead.....	.05
300459	1	Thrust Socket	1.00

*NOTE Parts used only on Model TN-27 Motors below serial number 886077.

Order All Parts from Nearest Service Station or Dealer

PART NO. 300481 TO 302352 INCL.

Part No.	No. Required per Motor	NAME OF PART	List Price per Piece
300481	1	Steering Handle	1.10
300531*	1	Cup Washer - Stop Switch.....	.025
300612	1	Shut-off Valve85
300616	2	Screw - Side Cover to Mounting Plate.....	.10
300631	1	Clamp Screw - Gearcase.....	.20
300633	3	Screw - Starter Housing to Gas Tank.....	.05
300635	2	Screw - Mounting Plate to Crankcase.....	.05
300705	1	Transfer - Star.....	Net .35
300706	1	Transfer - Port.....	Net .35
300759	1	Spring - High Speed Needle.....	.025
300771	1	Pin - Impeller to Driveshaft.....	.025
301718	3	Stud - Crankcase to Flange and Steering Bracket.....	.15
301727	1	Carrying Handle55
301780	1	Spring - Throttle Arm.....	.025
301855	1	Wave Washer - Armature Plate (Order Part No. 552029)....	
301912	1	Cotter Pin - Pivot Pin.....	.025
301967	1	O Ring - Crankshaft Seal - Lower.....	.10
301976	1	Spring - Pilot Band.....	.10
301977	1	Screw - Pilot Band.....	.05
301988	1	Nut - Crankshaft.....	.05
302104	5	Screw - Retainer to Starter Pulley - Plate to Clutch Lever Bracket025
302139	2	Rivet - Lining Thrust Socket.....	.025
302222	1	Friction Spring - Starter.....	.40
302290	4	Lockwasher - Upper to Lower Gearcase Screw.....	.025
302302	1	Seal - Bearing Housing.....	.90
302304	1	Nut Plate - Gearcase Head.....	.35
302305	1	Plate - Impeller Housing.....	.35
302309	1	Retainer - Clutch.....	.20
302313	1	Spring - Clutch65
302315	1	Gearcase - Upper.....	4.15
302318	1	Impeller Housing	2.75
302319	3	Screw - Gearcase Head.....	.10
302320	1	Plate - Lower to Upper Gearcase.....	1.80
302321	1	Gasket - Plate to Seal Housing.....	.025
302322	1	Bow Washer - Pivot Pin - Clutch Lever.....	.10
302324	3	Washer - Gearcase Head Screw.....	.025
302326	1	Washer - Crankshaft Seal - Lower.....	.025
302327	1	Gasket - Lower Gearcase to Plate.....	.10
302328	1	Spring - Clutch Lever.....	.05
302333	1	Drive Pin05
302334	1	Gasket - Bearing Housing to Plate.....	.05
302335	1	Bracket - Clutch Lever.....	.55
302336	1	Grommet - Water Tube to Impeller Housing.....	.05
302337	1	O Ring - Gearcase Head.....	.10
302338	1	Lever - Clutch10
302339	1	Retainer Ring - Gearcase Lower.....	.55
302340	1	Washer - Spring to Clutch Lever.....	.05
302341	1	Screw - Sleeve to Adjustment Rod.....	.025
302342	4	Screw - Plate to Impeller Housing.....	.05
302346	3	Screw - Control Cable Clamp and Lock to Control Shaft.....	.025
302348	1	Seal - Crankshaft - Lower.....	.35
302349	2	Grommet - Control Cable to Mounting Plate and Lower Gearcase05
302351	1	Lock - Control Shaft.....	.45
302352	1	Clamp - Control Cable.....	.40

*NOTE Parts used only on Model TN-27 Motors below serial number 886077.

Order All Parts from Nearest Service Station or Dealer

PART NO. 302353 TO 375697 INCL.

Part No.	No. Required per Motor	NAME OF PART	List Price per Piece
302353	1	Nut - Control Cable Tube to Flange.....	.05
302354	1	Cap - Upper Control Tube to Mounting Plate.....	.10
302355	1	Gasket - Power Head to Lower Unit.....	.10
302356	1	Spring - Crankshaft Seal - Lower.....	.10
302357	1	Pin - Lever to Cable Clamp.....	.05
302358	1	Spring - Cable Clamp Pin to Cap.....	.15
302360	1	Control Cable.....	1.40
302361	1	Tube - Control Cable - Lower.....	.55
302362	1	Water Tube - Inlet.....	.55
302363	1	Pivot Pin - Clutch Lever.....	.025
302364	1	Control Handle.....	.65
302365	1	Tube - Control Cable - Upper.....	.40
302366	1	Transfer - Oiling and Starting Instructions.....	N/C
302368	1	Control Cable - Clutch - Long (TNL).....	1.40
302369	1	Tube - Control Cable - Lower (TNL).....	.65
302371	1	Water Tube - Inlet (TNL).....	.85
302414	1	Screen - Water Intake.....	.20
302417	1	Washer - Grommet to Clutch Lever Spring.....	.025
302418	1	Nut - Guide Screw.....	.05
302419	1	Guide Screw - Control Cable Tube.....	.20
302441	1	Support - Armature Plate.....	.40
302442	1	Retaining Ring - Armature Plate.....	.60
302445	1	Crankshaft.....	13.75
302446	1	Nut - Starter - Acorn.....	.15
302447	1	Spacer - Cam Mounting.....	.025
302451	1	Throttle Cam - Armature Plate.....	.50
302452	1	Spring - Cam Lever.....	.20
302453	1	Cam Lever - Carburetor.....	.25
302454	1	Stop - Control Lever Lock - Armature Plate.....	.40
302456	1	Control Rod - Cam Lever to Throttle Arm.....	.25
302457	1	Mounting Plate.....	10.50
302468	3	Screw - Ratchet to Dome.....	.05
302469	1	Driveshaft.....	7.45
302470	1	Driveshaft - Long (TNL).....	8.25
302478	1	Swivel - Control Rod to Throttle Arm.....	.20
302820	4	Screw - Upper and Lower Gearcase.....	.05
375039	1	Swivel Bracket and Screw Assembly.....	4.15
375079	2	Piston and Lockring Assembly.....	3.05
375192	1	Adjusting Rod and Knob Assembly.....	.60
375254	1	Shroud, Carrying Handle and Strip Assembly.....	7.45
375267	1	Stern Bracket and Thrust Socket Assembly.....	8.55
375269	1	Gasoline Line - High Speed.....	.50
375295	2	Terminal Assembly - Ignition Leads.....	.10
375297	1	Steering Handle and Grip Assembly.....	1.95
375514	1	Filler Cap Assembly - Gas Tank.....	1.65
375542	1	Handle Assembly - Starter.....	.65
375550	1	Cylinder Head Assembly.....	3.85
375564	1	Deflector Assembly.....	.50
375567	1	Gasoline Tank and Filler Cap Assembly.....	16.50
375663	1	Connector and Filter Assembly.....	1.40
375688	1	Impeller and Insert Assembly.....	1.10
375689	1	Propeller and Bushing Assembly.....	3.05
375690	1	Gearcase Head and Bearing Assembly.....	2.20
375691	1	Bearing Housing and Bearing Assembly.....	2.75
375692	1	Gearcase - Lower - Plug Assembly.....	14.00
375693	1	Pinion Shaft and Clutch Pilot Assembly.....	6.90
375694	1	Spring and Sleeve Assembly - Shock Absorber.....	2.75
375697	1	Propeller Nut Assembly.....	.75

Order All Parts from Nearest Service Station or Dealer

PART NO. 375704 TO 580150 INCL.

Part No.	No. Required per Motor	NAME OF PART	List Price per Piece
375704	1	Control Shaft and Lever Assembly.....	.90
375717	1	Tool Kit AssemblyNet	1.00
375724	1	Propeller Shaft, Gear and Pinion Assembly.....	9.90
375727	1	Driveshaft Casing - Water Tube and Control Tube Assembly	16.50
375728	1	Driveshaft Casing - Water Tube and Control Tube Assembly (TNL)	17.50
375737	1	Timing Lever Assembly.....	.65
375738	1	Starter Housing	4.50
375744	2	Clampscrew Assembly with Plate and Retainer.....	.75
375823	1	Control Rod Assembly - Cam Lever to Throttle Arm.....	.60
375824	1	Manifold - Plate and Gasket Assembly.....	6.35
375825	1	Carburetor Body and Plug Assembly.....	4.95
375826	1	Carburetor Assembly Complete.....	15.75
375827	1	Cylinder and Crankcase Assembly.....	38.50
375828	1	Starter Assembly Complete	16.00
510126*	3	Washer - Insulating - Stop Switch.....	.025
510168	1	Cam - Magneto25
510173	2	Condenser90
510185	2	Eccentric Screw - Breaker Base Assembly.....	.10
510188	1	Oiler Clip05
510189	1	Oiler Wick025
510190	1	Clamp - High Tension Leads.....	.025
510191	2	Screw - Coil and Lamination Assembly - Armature Plate Mounting025
510192	2	Screw - Armature Plate Mounting.....	.025
510193	4	Screw - Condenser Mounting - Clamps.....	.025
510194	2	Screw - Lead to Breaker.....	.025
510195*	5	Screw - Coil and Lamination Mounting - *Stop Switch.....	.025
510204	2	Spring Clip - Breaker Spring.....	.05
510208	2	Bow Washer - Breaker Base Mounting.....	.025
510218	1	Clamp - High Tension Leads.....	.10
552029	1	Wave Washer - Armature Plate.....	.35
580118	2	Coil and Lamination Assembly.....	7.50
580120	1	Armature Plate Assembly	28.25
580121	1	Armature Plate and Post Assembly.....	3.50
580122	2	Breaker Base Assembly.....	.55
580123	2	Breaker Arm Assembly	1.00
580126*	1	Lead Assembly - Breaker to Stop Switch - Long.....	.30
580127*	1	Lead Assembly - Breaker to Stop Switch - Short.....	.15
580134	1	High Tension Lead Assembly - Short.....	.60
580135	1	High Tension Lead Assembly - Long.....	.60
580148	2	Breaker Assembly Complete.....	1.65
580150	1	Flywheel Assembly	14.25

*NOTE Parts used only on Model TN-27 Motors below serial number 886077.

Order All Parts from Nearest Service Station or Dealer

