

PARTS LIST

EVINRUDE FASTWIN 18

ELECTRIC

MODELS 15922 AND 15923

INSTRUCTIONS ON HOW TO ORDER

For their convenience, as well as ours, we ask our customers to carefully follow our instructions in ordering parts.

We also request that owners order their parts from our dealer or nearest service station or distributor.

ORDER BY PART NUMBER GIVING NAME OF PART ALSO.

ALWAYS GIVE THE SERIAL NUMBER OF THE MOTOR FOR WHICH PART OR PARTS ARE REQUIRED.

This is very important, and is necessary to intelligently fill your order. If you cannot give the number of the motor, state when and from whom the motor was purchased.

TELEGRAMS AND HOW TO USE "EVINRUDE CODE."

Telegram rates are based on fifteen words or less, for immediate delivery. Day letter or night letter rates are considerably cheaper. Detailed information may be found on rear of any telegram blank.

Use the following code only on messages of more than fifteen words. Each five code letters are charged

for as a word. English words and code words may be used in the same message, but code letters cannot be combined with English words.

A - 1	G - 7	L - Air Parcel Post
B - 2	H - 8	M - Freight - Truck
C - 3	I - 9	V - Air Express
D - 4	J - 0	X - Express
E - 5	K - Each	Y - Parcel Post
F - 6	P - Number	Z - Freight - Railway

Following is an example of a telegram not coded and the same reduced to code:

(NOT CODED - 22 WORDS.)

Parcel Post Two Number One Three Naught Naught Four Four Propeller Nut Twelve Number One Three Naught Naught Five Three Shear Pins.

(CODED - 8 WORDS.)

YBPAC JJDD Propeller Nut ABPAC JJEC Shear Pins.

Do not use this code in cable messages.

ROUTING • TERMS • RETURNS

SHIPPING INSTRUCTIONS.

Unless specific instructions accompany the order, we will use our own judgement on how to ship.

TERMS: CASH WITH ORDER OR C.O.D.

In ordering parts, to avoid C.O.D. shipments and extra charges, all orders should be accompanied by cash. Save time and money by remitting sufficient cash to cover cost of parts and Transportation Charges. Stamps are accepted in payment of all orders not over \$1.00. The right to hold all

orders unaccompanied by cash is reserved by Evinrude Motors, Milwaukee.

A minimum charge of \$0.50 net will be made on all orders amounting to less than this amount. We reserve the right to furnish additional parts to make up the difference.

INSTRUCTIONS ON RETURNING PARTS.

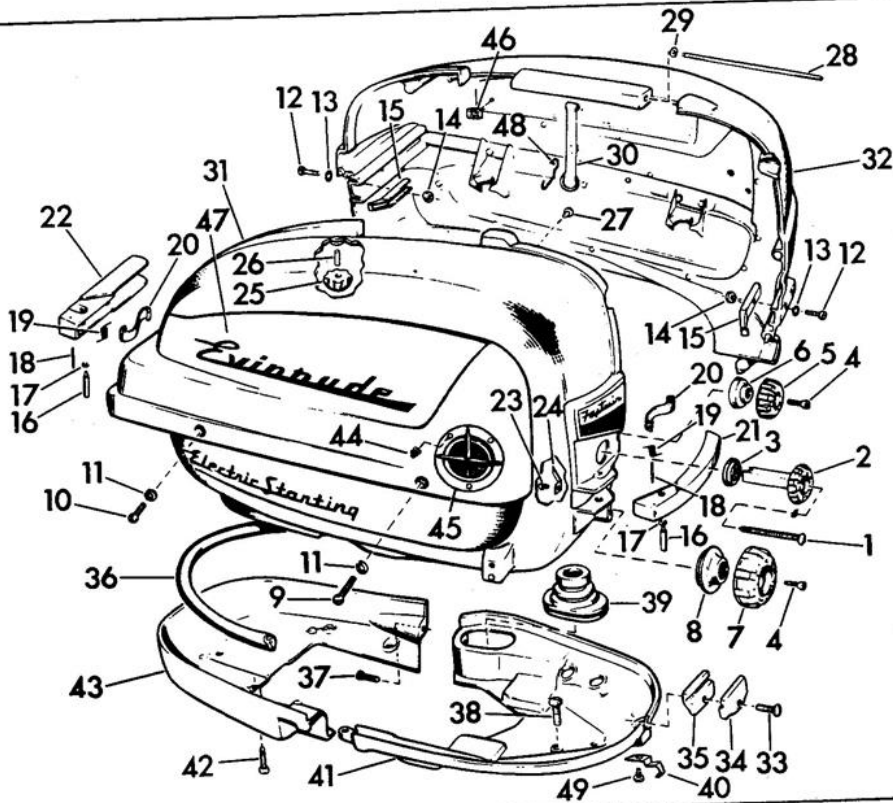
Parts can only be returned in accordance with terms outlined under the Service Policy laid down in the instruction manual.

ALL PRICES SUBJECT TO CHANGE WITHOUT NOTICE

EVINRUDE MOTORS, Milwaukee, Wis., U.S.A.

CABLE ADDRESS "EVINRUDE"

FASTWIN ~~ELECTRIC~~ MOTOR COVER

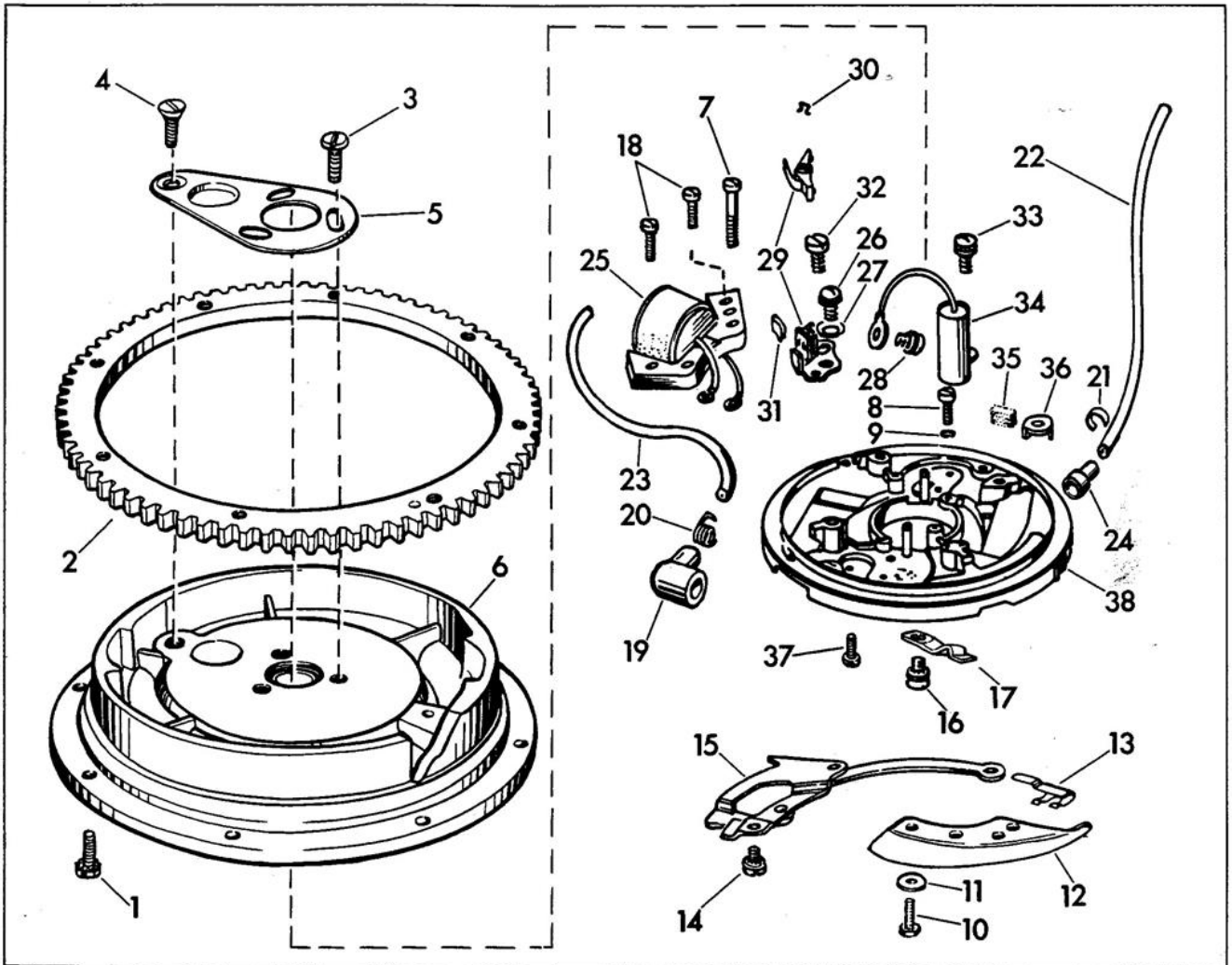


REF. NO.	PART NO.	NAME OF PART	QTY.	REF. NO.	PART NO.	NAME OF PART	QTY.
				27	203290	Motor cover bumper.	4
1	302761	Choke knob screw	1	28	277615	Motor cover hinge pin assembly.	1
2	203603	Choke control knob	1	29	203949	Motor cover hinge pin ret. ring.	1
3	203308	Motor cover to choke knob grommet	1	30	303923	Motor cover strap	1
4	551517	High and low speed control knob screw	2	31	277640	Motor cover assembly - Starboard	1
5	203601	Low speed control knob	1	32	277639	Motor cover assembly - Port . .	1
6	203617	Low speed cover grommet	1	33	304022	Seal to lower motor cover clamp screw	1
7	203600	High speed control knob	1	34	304021	Outer seal to lower motor cover clamp.	1
8	203616	High speed cover grommet	1	35	304020	Inner seal to lower motor cover clamp.	1
9	203300	Cover mounting screw, front . . .	1	36	304014	Lower motor cover seal.	1
10	203301	Cover mounting screw, rear . . .	1	37	304013	Lower motor cover screw - front to rear	1
11	19X124	Cover mounting screw lockwasher	2	38	304015	Lower front motor cover to exhaust tube screw	1
12	39X176	Latch hook to motor cover screw	2	39	304019	Control shaft to lower motor cover grommet	1
13	303480	Latch hook screw lockwasher . . .	2	40	304803	Connector lock spring	1
14	301472	Latch hook screw nut	2	41	376887	Lower motor cover assembly, front	1
15	203420	Motor cover latch hook	2	42	304012	Lower rear motor cover to exhaust tube screw	4
16	203468	Front and rear cover latch hinge pin	2	43	304915	Lower motor cover, rear	1
17	203470	Hinge pin retaining ring	2	44	204013	Medallion to motor cover fastener	6
18	203423	Pivot pin	2	45	204010	Motor cover medallion	2
19	203422	Cover latch bale spring	2	46	203786	Monogram to cover nut	6
20	203421	Cover latch bale	2	47	204020	Monogram	2
21	277232	Cover latch and bale assembly, front	1	48	203843	Motor cover strap clip	1
22	277233	Cover latch and bale assembly, rear	1	49	304804	Connector lock spring to cover rivet	2
23	21X283	Latch retainer spring screw	2	*	277667	Tool kit assembly	1
24	203690	Latch retainer spring, front . . .	1	*	277736	Set of decals	1
*	203464	Latch retainer spring, rear	1				
25	203455	Cover to starter housing bumper	1				
26	203897	Cover to starter housing bumper pin	1				

*Not Shown

ORDER YOUR PARTS FROM YOUR DISTRICT SERVICE STATION
2

FASTWIN *Electric* MAGNETO

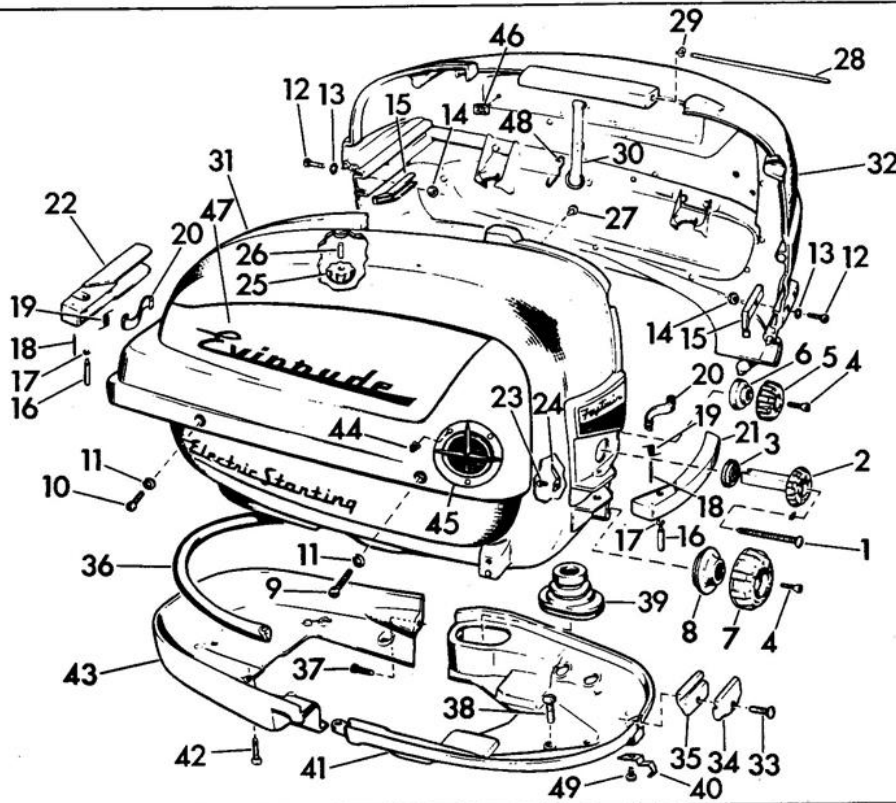


REF. NO.	PART NO.	NAME OF PART	QTY.	REF. NO.	PART NO.	NAME OF PART	QTY.
*	580226	Flywheel, cover and ring gear assembly	1	18	510195	Lamination mounting screw	4
*	580230	Armature plate assembly, less handle and cam	1	19	510232	Spark plug rubber cover	2
1	303698	Ring gear to flywheel screw	8	20	510231	Spark plug lead spring terminal	2
2	304736	Starter ring gear	1	21	120783	Marker	1
3	203751	Inspection cover to flywheel screw	3	*	580186	High tension lead assembly - upper	1
4	510293	Cover to flywheel screw	1	22	510239	High tension lead only, upper	1
5	510292	Inspection hole cover	1	*	580146	High tension lead assembly - lower	1
6	580228	Flywheel and cover assembly	1	23	510210	High tension lead only, lower	1
7	510286	Armature plate mounting screw	2	24	510289	Coil to H. T. lead grommet	2
8	510192	Armature plate mounting screw	2	25	580197	Coil and lamination assembly	2
9	3X28	Armature plate mounting screw lock washer	2	26	510278	Breaker mounting screw	2
10	304441	Throttle cam screw	2	27	510208	Bow washer	2
11	300154	Throttle cam screw washer	2	28	510194	Breaker terminal screw	2
12	203277	Throttle control cam	1	29	580148	Breaker assembly	2
13	303146	Arm. plate link spring clip	1	30	71A1052	Spring clip	2
14	510193	Shifter lock stop screw	2	31	510204	Breaker spring clip	2
15	376313	Link and stop assembly	1	32	510185	Breaker eccentric screw	2
16	510193	High tension lead clip mounting screw	1	33	510193	Condenser mounting screw	2
17	510218	High tension lead clamp	1	34	510173	Condenser	2
				35	510189	Oiler wick	1
				36	510188	Oiler clip	1
				37	510278	Hole plug screw	2
				38	580210	Armature plate and post	1
				*	43A128	Feeler gauge	1

*Not Shown

ORDER YOUR PARTS FROM YOUR DISTRICT SERVICE STATION

FASTWIN *Electric* MOTOR COVER

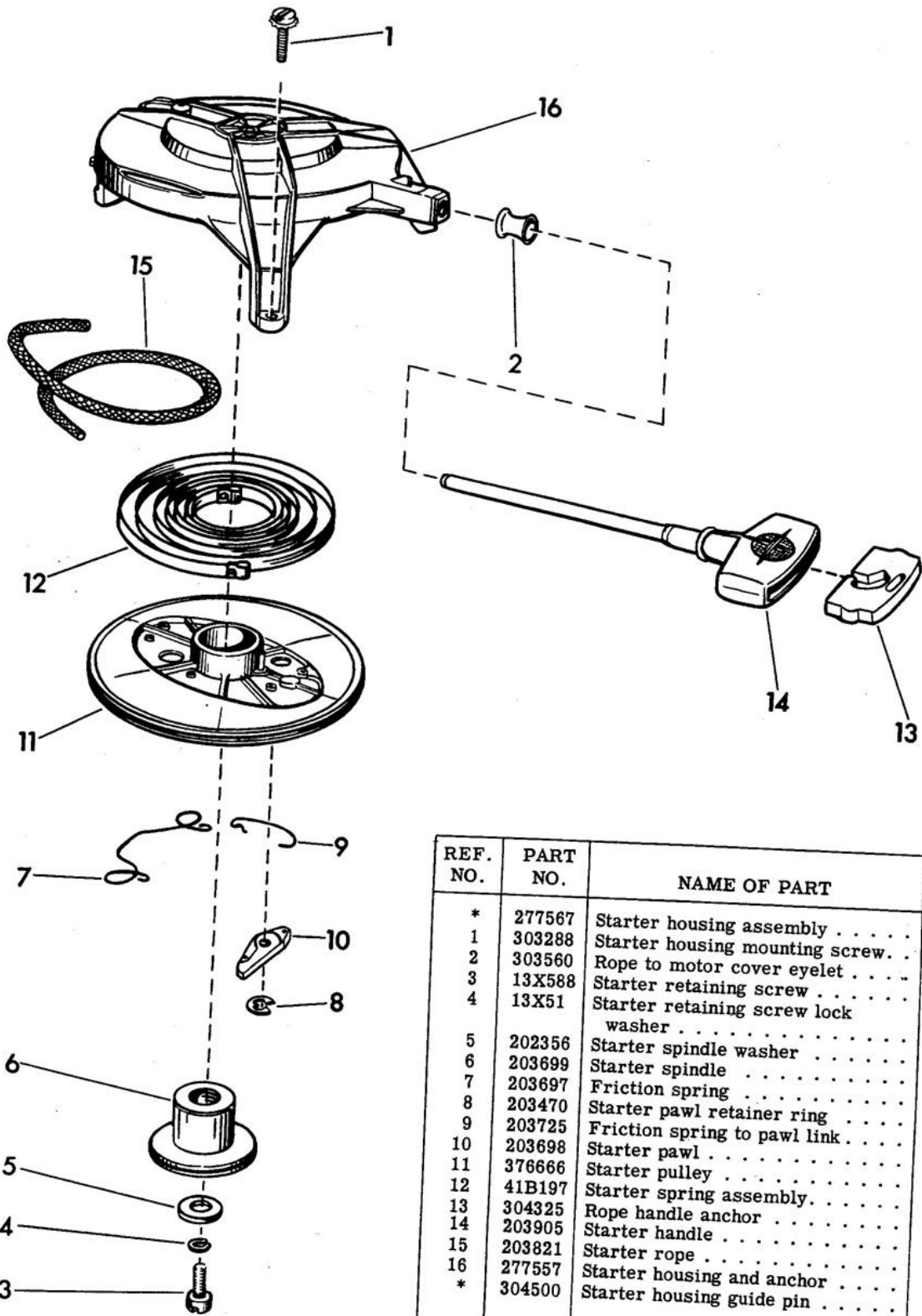


REF. NO.	PART NO.	NAME OF PART	QTY.	REF. NO.	PART NO.	NAME OF PART	QTY.
1	302761	Choke knob screw	1	27	203290	Motor cover bumper	4
2	203603	Choke control knob	1	28	277615	Motor cover hinge pin assembly.	1
3	203308	Motor cover to choke knob grommet	1	29	203949	Motor cover hinge pin ret. ring.	1
4	551517	High and low speed control knob screw	2	30	303923	Motor cover strap	1
5	203601	Low speed control knob	1	31	277640	Motor cover assembly - Starboard	1
6	203617	Low speed cover grommet	1	32	277639	Motor cover assembly - Port	1
7	203600	High speed control knob	1	33	304022	Seal to lower motor cover clamp screw	1
8	203616	High speed cover grommet	1	34	304021	Outer seal to lower motor cover clamp	1
9	203300	Cover mounting screw, front	1	35	304020	Inner seal to lower motor cover clamp	1
10	203301	Cover mounting screw, rear	1	36	304014	Lower motor cover seal	1
11	19X124	Cover mounting screw lock-washer	2	37	304013	Lower motor cover screw - front to rear	1
12	39X176	Latch hook to motor cover screw	2	38	304015	Lower front motor cover to exhaust tube screw	1
13	303480	Latch hook screw lockwasher	2	39	304019	Control shaft to lower motor cover grommet	1
14	301472	Latch hook screw nut	2	40	304803	Connector lock spring	1
15	203420	Motor cover latch hook	2	41	376887	Lower motor cover assembly, front	1
16	203468	Front and rear cover latch hinge pin	2	42	304012	Lower rear motor cover to exhaust tube screw	4
17	203470	Hinge pin retaining ring	2	43	304915	Lower motor cover, rear	1
18	203423	Pivot pin	2	44	204013	Medallion to motor cover fastener	6
19	203422	Cover latch bale spring	2	45	204010	Motor cover medallion	2
20	203421	Cover latch bale	2	46	203786	Monogram to cover nut	6
21	277232	Cover latch and bale assembly, front	1	47	204020	Monogram	2
22	277233	Cover latch and bale assembly, rear	1	48	203843	Motor cover strap clip	1
23	21X283	Latch retainer spring screw	2	49	304804	Connector lock spring to cover rivet	2
24	203690	Latch retainer spring, front	1	*	277667	Tool kit assembly	1
*	203464	Latch retainer spring, rear	1	*	277736	Set of decals	1
25	203455	Cover to starter housing bumper	1				
26	203897	Cover to starter housing bumper pin	1				

*Not Shown

ORDER YOUR PARTS FROM YOUR DISTRICT SERVICE STATION

FASTWIN *Electric* STARTER

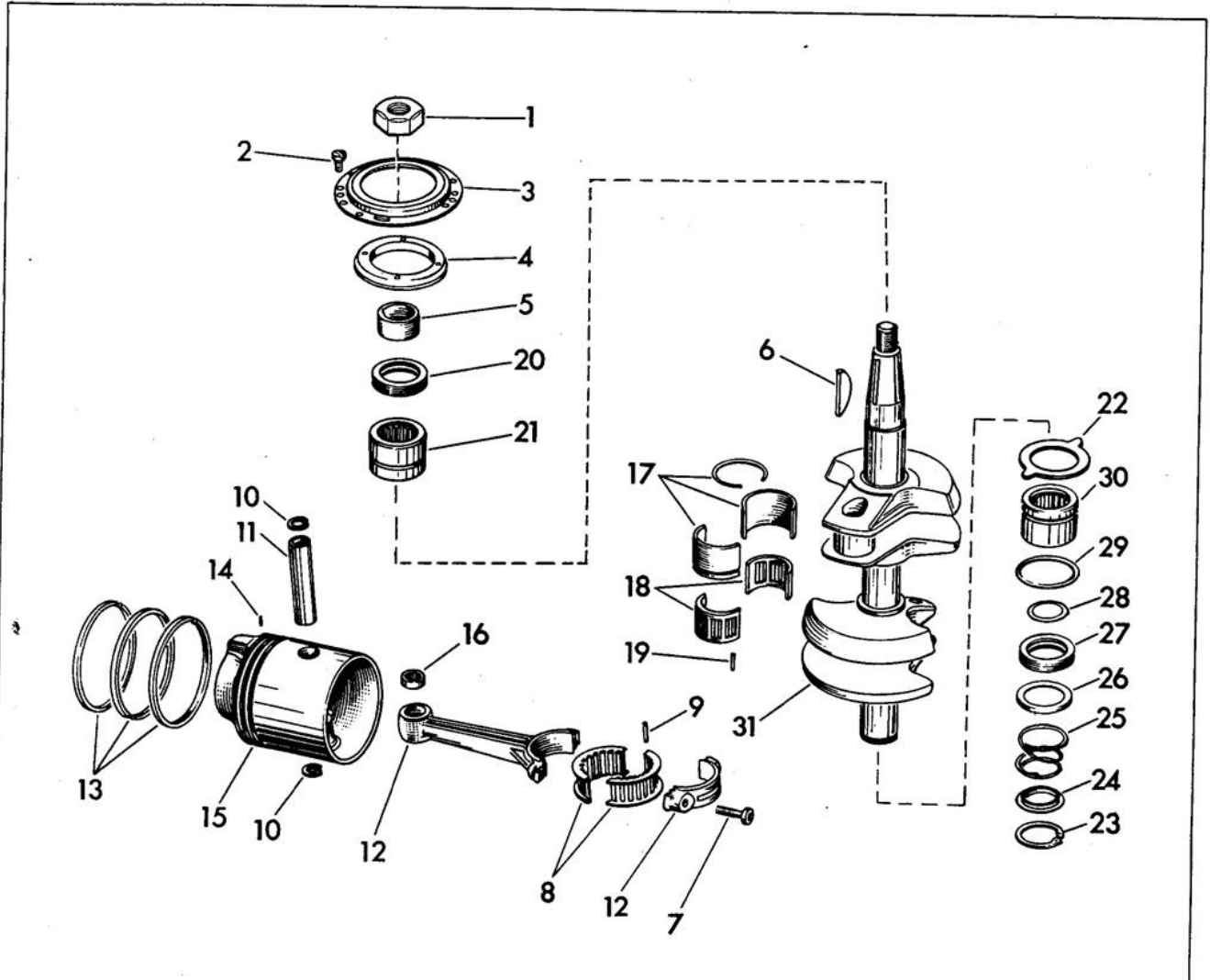


REF. NO.	PART NO.	NAME OF PART	QTY.
*	277567	Starter housing assembly	1
1	303288	Starter housing mounting screw	3
2	303560	Rope to motor cover eyelet	1
3	13X588	Starter retaining screw	1
4	13X51	Starter retaining screw lock washer	1
5	202356	Starter spindle washer	1
6	203699	Starter spindle	1
7	203697	Friction spring	1
8	203470	Starter pawl retainer ring	1
9	203725	Friction spring to pawl link	2
10	203698	Starter pawl	1
11	376666	Starter pulley	1
12	41B197	Starter spring assembly	1
13	304325	Rope handle anchor	1
14	203905	Starter handle	1
15	203821	Starter rope	1
16	277557	Starter housing and anchor	1
*	304500	Starter housing guide pin	2

*Not Shown

ORDER YOUR PARTS FROM YOUR DISTRICT SERVICE STATION

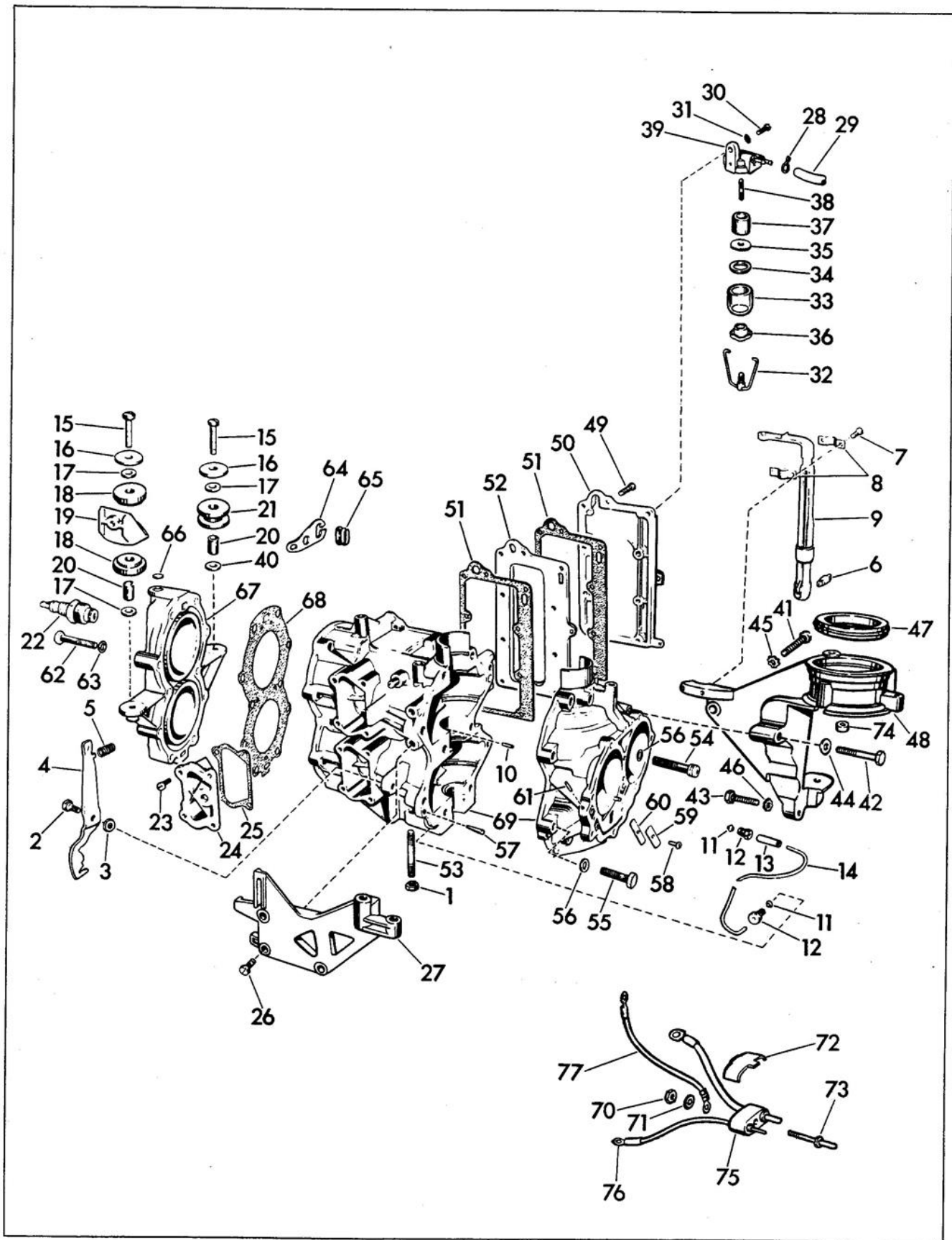
FASTWIN *Electric* CRANKSHAFT AND PISTON



REF. NO.	PART NO.	NAME OF PART	QTY.	REF. NO.	PART NO.	NAME OF PART	QTY.
1	301988	Flywheel nut	1	17	302585	Center bearing split sleeve	1
2	304442	Armature plate support screw. . .	3	18	302755	Bearing cage, center	2
3	303278	Armature plate support	1	19	302584	Center bearing roller	18
4	303277	Armature plate retaining ring. . .	1	20	303804	Crankshaft bearing seal, upper. .	1
5	510168	Magneto cam.	1	21	376433	Roller bearing and seal assembly, upper	1
6	120395	Crankshaft key.	1	22	304732	Crankshaft thrust washer	1
7	202967	Connecting rod screw	4	23	302536	Lower bearing retaining ring	1
8	203244	Connecting rod bearing retainer. .	2	24	303801	Seal spring retaining washer, outer	1
9	302529	Connecting rod needle	30	25	302539	Crankshaft bearing seal spring, lower	1
10	302577	Spring ring.	4	26	302594	Seal spring retaining washer, inner	1
11	304691	Piston pin	2	27	302538	Crankshaft bearing seal, lower. .	1
12	376981	Connecting rod assembly	2	28	302540	Lower bearing seal (O-ring) carbon	1
13	300050	Piston Ring	6	29	302537	Bearing seal (O-ring) outer.	1
13	302397	Piston ring, .020 O.S.	6	30	375763	Roller bearing assembly, lower. .	1
13	304593	Piston ring, .040 O.S.	6	31	304794	Crankshaft	1
14	300288	Piston dowel pin	6				
15	376992	Piston, less rings	2				
15	377071	Piston, less rings, .020 O.S. . . .	2				
15	377072	Piston, less rings, .040 O.S. . . .	2				
16	304692	Connecting rod bearing	4				

ORDER YOUR PARTS FROM YOUR DISTRICT SERVICE STATION

FASTWIN *ELECTRIC* CRANKCASE AND CYLINDER



ORDER YOUR PARTS FROM YOUR DISTRICT SERVICE STATION

FASTWIN ~~Electric~~ CRANKCASE AND CYLINDER

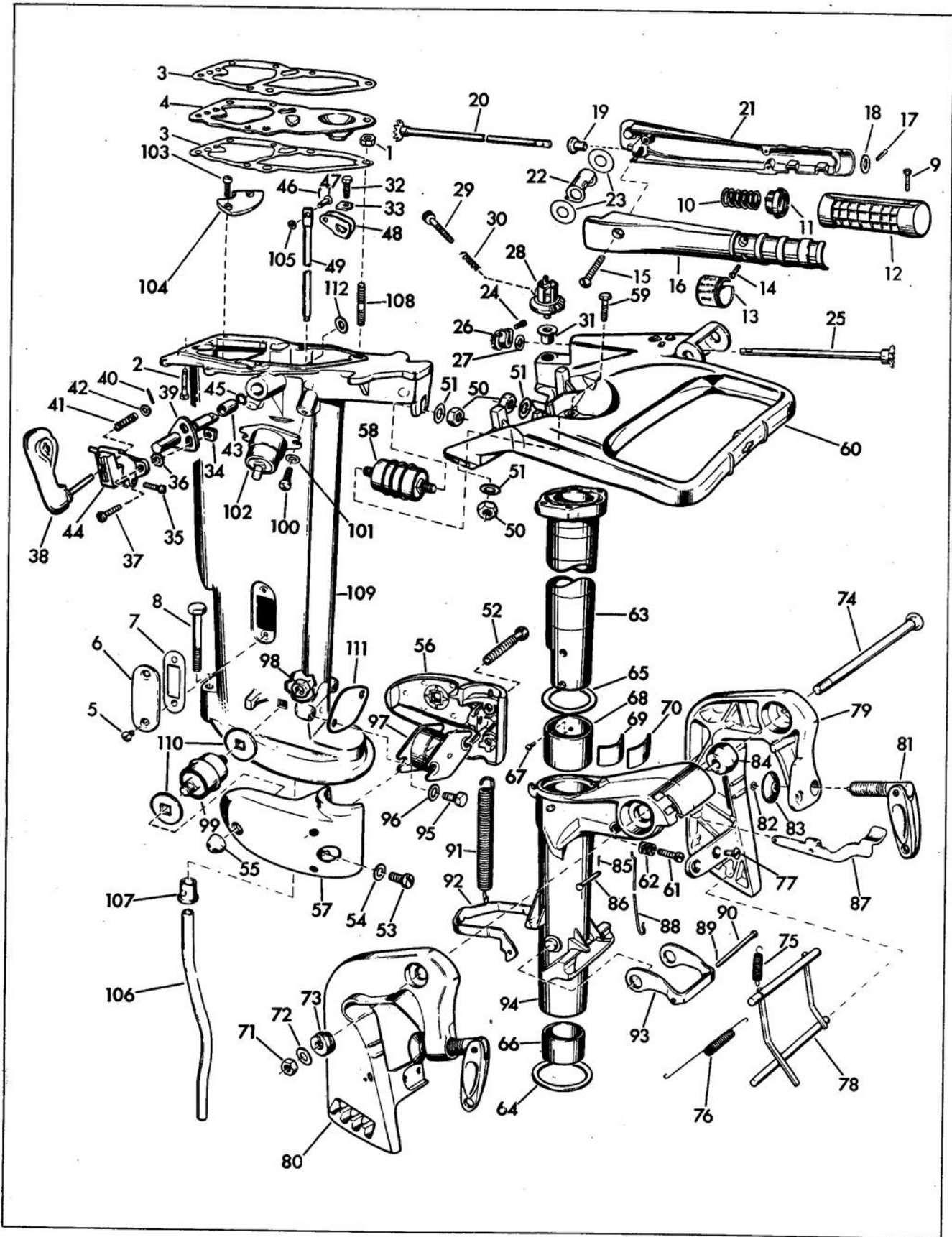
REF. NO.	PART NO.	NAME OF PART	QTY.	REF. NO.	PART NO.	NAME OF PART	QTY.
1	7X46	Flange to cylinder stud nut	3	41	21X358	Motor bracket to crankcase screw	1
2	302592	Shifter lock to cylinder screw. . .	1	42	303459	Starter mounting bracket to crankcase screw, long.	1
3	304051	Shifter lockwasher.	1				
4	203596	Shifter lock	1	43	21X171	Starter bracket to crankcase screw, short	1
5	302587	Shifter lock spring.	1				
6	304155	Armature plate control lever pin .	1	44	13X585	Motor bracket screw washer . . .	1
7	303737	Control lever bearing clamp screw	2	45	19X124	Motor bracket screw lockwasher .	1
8	303109	Control lever bearing clamp . . .	2	46	51X137	Motor bracket screw lockwasher .	2
9	203865	Armature plate control lever . . .	1	47	304789	Starter pinion shock absorber. . .	1
10	302037	Bearing dowel	3	48	203940	Starter and starter motor mounting bracket - Port	1
11	11X61	Oil line gland	2				
12	41A105	Oil line packing nut	2	49	21X167	Exhaust cover screw	10
13	302811	Oil line tube spacer	1	50	304714	Exhaust cover - outer	1
14	203723	Oil line tube	1	51	304716	Exhaust cover gasket - inner and outer	2
15	41X178	Cover mounting bracket - port grommet screw.	4	52	304715	Exhaust cover - inner	1
16	302407	Cover mounting washer, large . .	4	53	304517	Flange to cylinder stud	3
17	43X302	Cover mounting washer, small . .	6	54	203249	Crankcase to cylinder screw, center.	2
18	302405	Cover mounting bracket grommet - Starboard	4	55	25X242	Cylinder to crankcase screw . . .	8
19	302404	Cover mounting bracket - Starboard	2	56	15X212	Crankcase to cylinder screw washer	6
20	302406	Cover mounting spacer	4				
21	203280	Cover mounting grommet - Port . .	2	57	300402	Taper pin	2
†22	200322	Spark plug, Champion J6-J	2	58	19X191	Oil drain leaf valve screw.	1
†22	376290	Spark plug, Auto-Lite A3X	2	59	203248	Leaf valve oil drain plate	1
23	51X47	By-pass cover screw	8	60	203235	Crankcase oil drain leaf valve . .	1
24	304781	By-pass cover	2	61	301732	Oil passage plug	1
25	304782	By-pass cover to cylinder gasket .	2	62	21X487	Cylinder head screw.	10
26	21X124	Starter and silencer mtg. bracket screw.	3	63	37X154	Cylinder head washer	9
27	203721	Starter and silencer mtg. bracket - Starboard.	1	64	300455	Ignition lead anchor	1
28	302647	Filter hose clamp	2	65	300454	Ignition lead grommet.	1
29	203730	Filter to carburetor fuel line . . .	1	66	202310	Expansion plug, 1/2 in.	2
30	21X167	Fuel Filter Screw	1	67	277600	Cylinder head and core plug assembly	1
31	303480	Filter to exh. cover screw lockwasher	1	68	304688	Cylinder head gasket	1
*	376835	Gasoline filter assembly.	1	69	376814	Cylinder and crankcase	1
32	376327	Filter yoke assembly	1	70	21X195	Ground terminal to cover nut . . .	1
33	303967	Fuel filter bowl	1	71	302772	Ground terminal to cover washer .	1
34	302675	Fuel filter gasket	1	72	304787	Cable connector cover	1
35	304523	Fuel filter nut	1	73	304783	Ground terminal pin	1
36	375989	Fuel filter thumb nut and swivel cup assy.	1	74	304847	Starter motor to bracket seal . .	2
37	302062	Fuel filter	1	75	376871	Connector to starter motor and solenoid cable assembly	1
38	304522	Fuel filter stud	1	76	204036	Connector to starter motor and solenoid cable to choke solenoid ring terminal.	1
39	376836	Fuel filter body and nipple assembly	1	77	376959	Starter bracket to ground pin wire assy	1
40	203622	Cover mtg. washer, lower - Port	1	*	277710	Set of gaskets	1

*Not Shown

†We recommend either Champion or Auto-Lite Spark Plugs.

ORDER YOUR PARTS FROM YOUR DISTRICT SERVICE STATION

FASTWIN *Electric* EXHAUST TUBE AND SWIVEL BRACKET



ORDER YOUR PARTS FROM YOUR DISTRICT SERVICE STATION

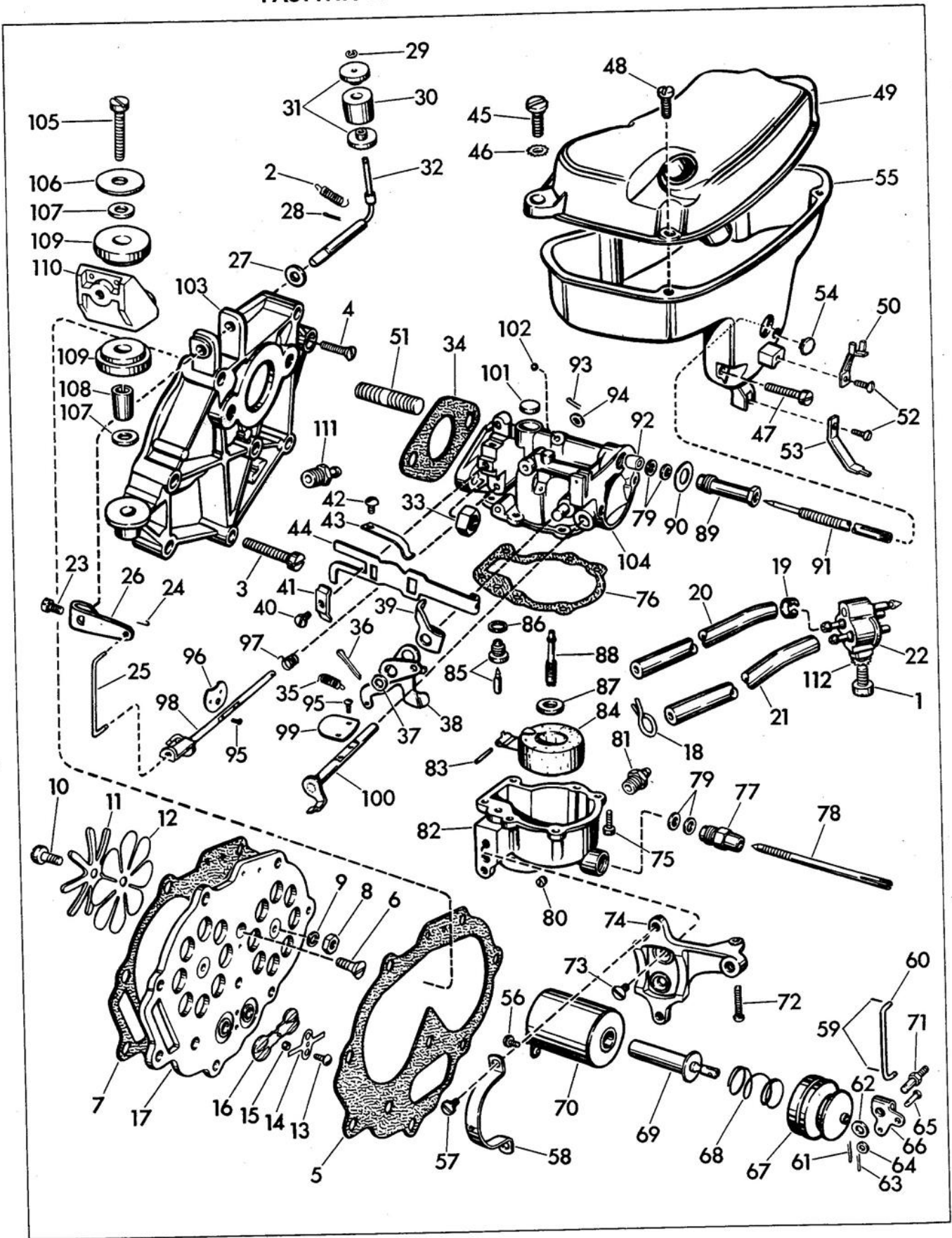
FASTWIN *Electric* EXHAUST TUBE AND SWIVEL BRACKET

REF. NO.	PART NO.	NAME OF PART	QTY.	REF. NO.	PART NO.	NAME OF PART	QTY.
1	7X46	Flange to power head nut	3	61	132679	Co-pilot screw	1
2	25X238	Power head to exh. housing screw	5	62	551113	Co-pilot spring	1
3	304588	Power head to lower unit gasket, motors 05052 and up	2	63	303853	Steering bracket pilot shaft	1
4	377069	Baffle & gasket assy, to motors 05051	1	64	303865	Swivel bracket to lower housing thrust washer.	1
5	302509	Exh. housing cover plate screw . .	2	65	303842	Steering bracket to swivel bracket thrust washer.	1
6	303862	Exhaust housing cover plate	1	66	303841	Swivel brkt. shock absorber, lower	1
7	304023	Exhaust housing cover plate gasket	1	67	303696	Swivel bracket to upper liner pin .	1
8	302871	Exh. hsg. to gear case screw, rear	1	68	303846	Swivel bracket liner, upper	1
9	302710	Twist grip screw	1	69	303843	Co-pilot plate to upper liner spacer	1
10	301656	Twist grip spring	1	70	303844	Co-pilot plate	1
11	303282	Grip friction block	1	71	17X182	Tilting shaft bolt nut.	1
12	203882	Steering handle grip	1	72	25X196	Tilting shaft washer	1
13	303110	Throttle control plate	1	73	302051	Tilting shaft spring	1
14	133452	Steering handle halves screw	2	74	301984	Tilting shaft bolt	1
15	303078	Steering handle halves screw	1	75	202021	Tilting lever spring	1
16	303093	Steering handle-inner half	1	76	304095	Tilting lever adj. stabilizer spring	1
17	300346	Gear and shaft assy groove pin . . .	1	77	303396	Stern brkt. screw - Port to Stbd .	2
18	303252	Steering handle to spring washer . .	1	78	376312	Tilting lever assembly.	1
19	305100	Steering handle bushing	1	79	376284	Stern bracket and clamp screw assembly - Port	1
20	376691	Throttle control gear and shaft assy., long	1	80	376283	Stern bracket and clamp screw assembly - Starboard	1
21	303094	Steering handle-outer half	1	81	375742	Clamp screw swivel plate and ret.	2
22	303096	Steering handle gears cover.	1	82	302420	Swivel plate retainer.	2
23	303079	Steering brkt. to handle washer. . .	2	83	41A48	Clamp screw swivel plate	2
24	71X1352	Pinion screw.	1	84	301983	Tilting shaft conical washer.	2
25	376692	Throttle control gear and shaft assy., short	1	85	303049	Pivot shaft cotter pin	1
26	303142	Throttle control pinion	1	86	303930	Reverse locking lever pivot shaft .	1
27	303107	Throttle control pinion gear washer	1	87	303980	Manual locking lever arm	1
28	304931	Throttle control gear	1	88	303978	Reverse lock arm to shaft link . .	1
29	304573	Idle stop screw.	1	89	15X268	Reverse lock rod cotter pin.	1
30	552368	Idle stop screw spring.	1	90	303949	Reverse lock rod	1
31	303854	Throttle control bushing.	1	91	303979	Reverse lock locking lever spring	1
32	303722	Shift rod screw.	1	92	303948	Reverse locking lever.	1
33	303721	Shift rod lever clip	1	93	303950	Reverse lock link	1
34	303189	Shift handle adj. screw nut	1	94	303840	Swivel bracket	1
35	300258	Shift handle adj. screw	1	95	303888	Lower housing front mount to exhaust tube screw.	2
36	303480	Shift handle screw lock washer . . .	1	96	303886	Shock absorber screw washer, med.	2
37	39X176	Shift hdl. to adj. lever clamp screw	1	97	303881	Exh. tube rubber mount, lower front	1
38	277626	Gear shift handle and pin assembly	1	98	303890	Lower side mount screw nut	2
39	277621	Adj. lever and shaft assembly. . . .	1	99	303880	Exh. tube rubber mount, lower side	2
40	552497	Shift handle straight pin.	1	100	39X176	Thrust absorber mtg. screw, upper	4
41	552498	Shift handle spring.	1	101	303887	Shock abs. screw washer, small .	4
42	552783	Shift handle pivot pin washer	1	102	303879	Exhaust tube rubber mount, upper side.	2
43	203989	Adjusting lever shaft spacer	1	103	25X74	Exh. tube plate to exh. tube screw	2
44	277627	Shift lock and pin assy. follower . .	1	104	304880	Exhaust tube plate	1
45	303191	Shift lever shaft "O" ring	1	105	304380	Shift rod pin bow washer.	1
46	15X268	Shift lever shaft cotter pin	1	106	303917	Water tube	1
47	304377	Shift rod to lever pin	1	106	304037	Water tube, 5 in. longer	1
48	304378	Shift rod lever	1	107	302497	Water tube grommet, upper.	1
49	304859	Shift rod, upper	1	108	304517	Flange to power head stud.	3
50	303889	Thrust absorber to strg. brkt. nut	4	109	376879	Exhaust housing assembly.	1
51	303884	Shock absorber washer, large	4	110	304168	Lower side mount gasket	4
52	303898	Lower housing to pilot shaft screw	2	111	304169	Lower front mount gasket.	1
53	303883	Rubber mount to housing screw	2	112	303775	Adj. lever to exhaust housing washer	1
54	303886	Shock absorber screw washer, med.	2	*	277647	Carrying handle and screw assy. .	1
55	303890	Thrust absorber to lower mount nut	2	*	15X254	Carrying handle nut	3
56	303896	Lower mount housing - Port	1	*	304913	Carrying handle screw	3
57	303897	Lower mount housing - Starboard.	1				
58	304800	Exh. tube rubber mount, upper front	1				
58	304801	Exh. tube rubber mount, upper front - 5 in. longer.	1				
59	21X171	Steering brkt. to pilot shaft screw	4				
60	376837	Steering bracket and bushing	1				

*Not Shown - Accessories

ORDER YOUR PARTS FROM YOUR DISTRICT SERVICE STATION.

FASTWIN *ELECTRIC* CARBURETOR



ORDER YOUR PARTS FROM YOUR DISTRICT SERVICE STATION

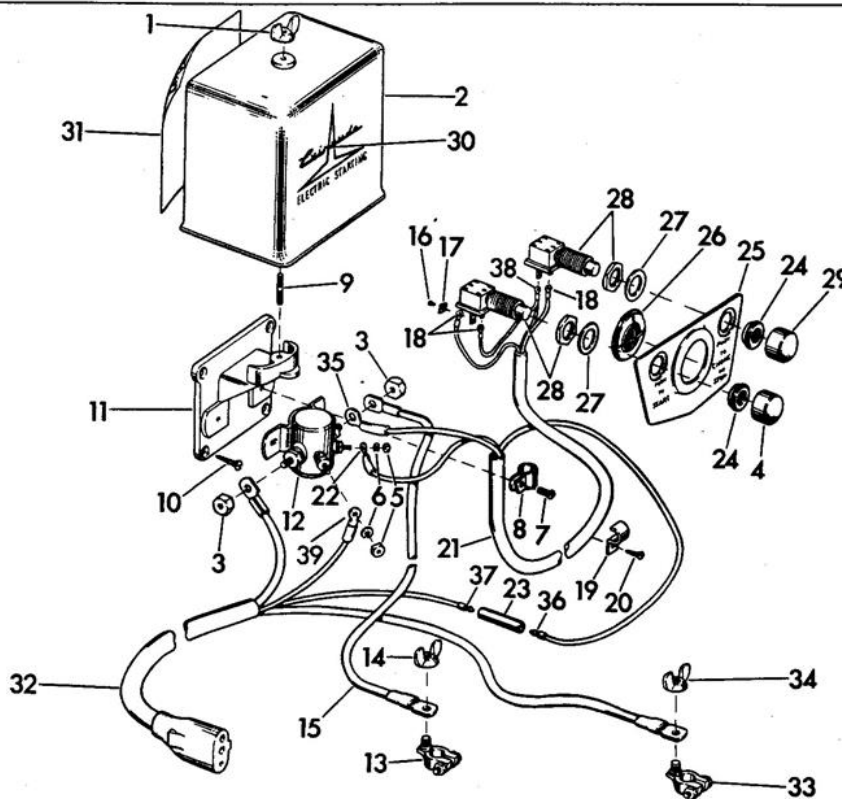
FASTWIN *Electric* CARBURETOR

REF. NO.	PART NO.	NAME OF PART	QTY.	REF. NO.	PART NO.	NAME OF PART	QTY.
*	376810	Carburetor and solenoid assembly	1	56	510193	Carburetor solenoid to wire terminal screw	1
*	376974	Carburetor assy, less solenoid	1	57	303737	Solenoid yoke screw	2
1	21X359	Fuel connector to bracket screw	1	58	303740	Solenoid yoke	1
2	203276	Cam follower spring	1	59	41A110	Link pin	2
3	130618	Manifold to crankcase screw	7	60	203727	Bell crank to choke solenoid link	1
*	277206	Leaf plate assembly	1	61	41X163	Solenoid lever cotter pin	1
4	304294	Manifold to crankcase screw, short	1	62	85X54	Solenoid shaft washer	1
5	304779	Leaf plate to manifold gasket	1	63	301912	Solenoid shaft pin cotter pin	1
6	302104	Leaf plate assembly to crankcase screw	1	64	71X1447	Solenoid shaft pin washer	1
7	304780	Leaf plate to crankcase gasket	1	65	303738	Solenoid shaft pin	1
8	85X64	Leaf to leaf plate screw nut	2	66	303747	Solenoid shaft to link lever	1
9	71X1487	Leaf to leaf plate screw lock-washer	2	67	303792	Solenoid cover	1
10	301858	Leaf attaching screw	2	68	303745	Solenoid spring	1
11	203234	Leaf stop	2	69	376610	Solenoid plunger assembly	1
12	203246	Carburetor leaf	2	70	376806	Choke solenoid	1
13	19X191	Check valve to leaf plate screw	2	71	303739	Solenoid lever pivot shaft	1
14	302048	Check valve spring	1	72	131024	Solenoid bracket to float chamber screw	2
15	302046	Check valve spring spacer	2	73	550913	Solenoid bracket to carburetor screw	1
16	302042	Air line check valve	1	74	304255	Solenoid mounting bracket	1
17	203267	Leaf plate only	1	75	71X1589	Float chamber to carb. body screw	4
18	302647	Carburetor and manifold fuel and air hose clamp	2	76	302994	Float chamber to carb. body gasket	1
19	301822	Fuel connector-fuel and air hose clamp	2	77	300179	High speed valve nut	1
20	203287	Manifold to fuel connector air line	1	78	304082	High speed needle valve	1
21	203730	Filter to fuel connector fuel line	1	79	43A123	High and low speed valve packing	4
22	375788	Fuel connector body	1	80	303041	Float drain screw	1
23	304572	Cam follower arm screw	1	81	303172	Fuel inlet nipple	1
24	41A110	Link to throttle lever and cam follower retaining pin	2	82	376965	Float chamber & nipple assy.	1
25	203727	Throttle lever to cam follower link	1	83	300096	Float arm hinge pin	1
26	376729	Cam follower arm and screw	1	84	375919	Float and float arm	1
27	303048	Cam follower washer	1	85	375985	Float valve and seat	1
28	41X163	Cam follower to manifold cotter pin	1	86	301996	Float valve seat washer	1
29	203363	Cam follower retainer	1	87	304940	Float chamber to carburetor body boss gasket	1
30	203362	Cam follower roller	1	88	304938	High speed nozzle	1
31	303279	Cam follower bushing	2	89	303479	Slow speed valve nut	1
32	304919	Throttle cam follower	1	90	203355	Carburetor packing nut washer	1
33	7X46	Carburetor nut	2	91	303945	Slow speed needle valve	1
34	203237	Manifold to carburetor gasket	1	92	303947	Slow speed needle valve bushing	1
35	303316	Bell crank choke lever spring	1	93	303049	Throttle shaft cotter pin	1
36	41X163	Bell crank cotter pin	1	94	303048	Throttle shaft washer	1
37	85X54	Bell crank washer	1	95	303760	Throttle and choke valve screw	4
38	304258	Choke bell crank	1	96	304937	Throttle valve	1
39	304257	Bell crank to choke control rod lever	1	97	303119	Throttle shaft spring	1
40	131249	Choke rod bracket screw	1	98	376954	Throttle shaft and lever assembly	1
41	303117	Choke rod bracket	1	99	303126	Choke valve	1
42	302430	Spring to carburetor body screw	1	100	375993	Choke shaft and lever assembly	1
43	303132	Choke control rod spring	1	101	202310	Expansion plug	1
44	303143	Choke control rod	1	102	304201	Carburetor lead shot	2
45	21X167	Silencer to bracket screw	2	103	277563	Carburetor manifold and stud	1
46	13X585	Silencer to bracket screw washer	2	104	376982	Carburetor body and bell crank-shaft assembly	1
47	304889	Silencer to carburetor screw	2	105	41X178	Cover mounting bracket screw, front	1
48	25X74	Silencer assembly screw	4	106	302407	Cover mounting washer, large	1
49	277437	Air silencer, upper half	1	107	43X302	Cover mounting washer, small	2
50	203474	Low speed needle stop	1	108	302406	Cover mounting spacer	1
51	302822	Manifold to carburetor stud	2	109	302405	Cover mounting bracket grommet - Starboard	2
52	303940	Needle stop screw	2	110	302404	Cover mounting bracket - Starboard	1
53	203621	High speed needle stop	1	111	303172	Manifold nipple	1
54	203652	Carburetor air silencer button plug	1	112	51X137	Fuel connector to bracket screw lockwasher	1
55	203728	Air silencer, lower half	1				

*Not Shown

ORDER YOUR PARTS FROM YOUR DISTRICT SERVICE STATION

FASTWIN *Electric* JUNCTION BOX AND SWITCH PLATE GROUP

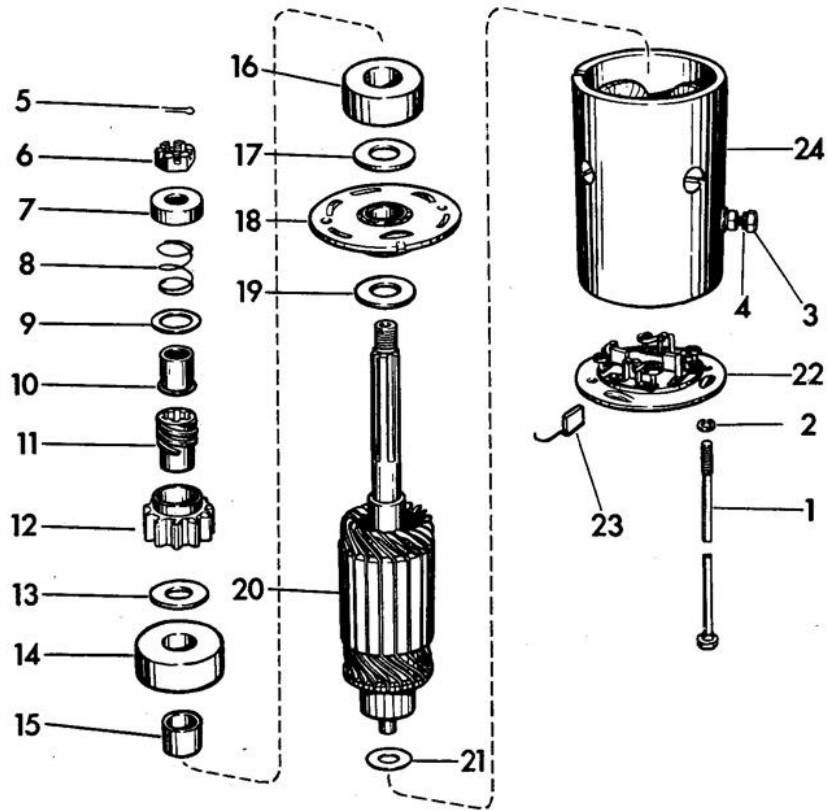


REF. NO.	PART NO.	NAME OF PART	QTY.	REF. NO.	PART NO.	NAME OF PART	QTY.
*	277610	Junction box and switch plate assembly	1	22	204036	Switch cable to starter solenoid ring terminal	1
1	203511	Solenoid bracket to cover wing nut	1	23	277327	Switch cable to motor cable connector assembly	1
2	277674	Junction box cover	1	24	203658	Choke and start switch to plate nut	2
3	303783	Battery cable and motor cable to solenoid nut	1	25	304906	Switch plate, single starter and choke	1
4	203659	Starter switch button cover, red	1	26	204015	Switch plate medallion	1
5	85X64	Switch wire to solenoid nut	2	27	301663	Choke and starter switch to boat washer	2
6	120052	Switch wire to solenoid nut lockwasher	2	28	277757	Choke and starter switch assembly	2
7	39X169	Solenoid to bracket screw	2	29	203660	Choke switch button cover, black	1
8	203501	Switch cable to solenoid bracket clamp	1	30	204003	Junction box cover transfer	1
9	203510	Solenoid mounting bracket stud	1	31	203996	Junction box wiring assembly transfer	1
10	303776	Solenoid bracket to boat screw	4	32	376870	Connector to junction box and battery cable assembly	1
11	203506	Starter solenoid mounting bracket	1	33	277709	Battery terminal assembly, negative	1
12	277628	Starter switch solenoid assembly	1	34	203980	Negative terminal wing nut	1
13	277708	Battery terminal assembly, positive	1	35	203523	Switch cable to starter solenoid terminal	1
14	203979	Positive terminal wing nut	1	36	204041	Switch cable to motor cable terminal	1
15	376873	Battery to starter solenoid cable assembly	1	37	204042	Connector to junction box and battery cable terminal	1
16	91X373	Choke and starter switch terminal screw	4	38	204040	Switch cable to choke switch ring terminal	1
17	203550	Choke and starter switch screw lockwasher	4	39	204036	Connector to junction box and battery cable to starter solenoid ring terminal	1
18	203512	Switch cable to plate terminal	3	*	376966	Switch plate and envelope assembly dual starter and choke	1
19	203505	Switch cable to boat clamp	4				
20	303777	Switch cable clamp to boat screw	4				
21	376872	Switch plate to junction box cable assembly	1				
*	204056	Switch plate to junction box cable supplied in 100 ft. rolls only	1				

*Not Shown

ORDER YOURS PARTS FROM YOUR DISTRICT SERVICE STATION

FASTWIN *ELECTRIC* STARTER MOTOR



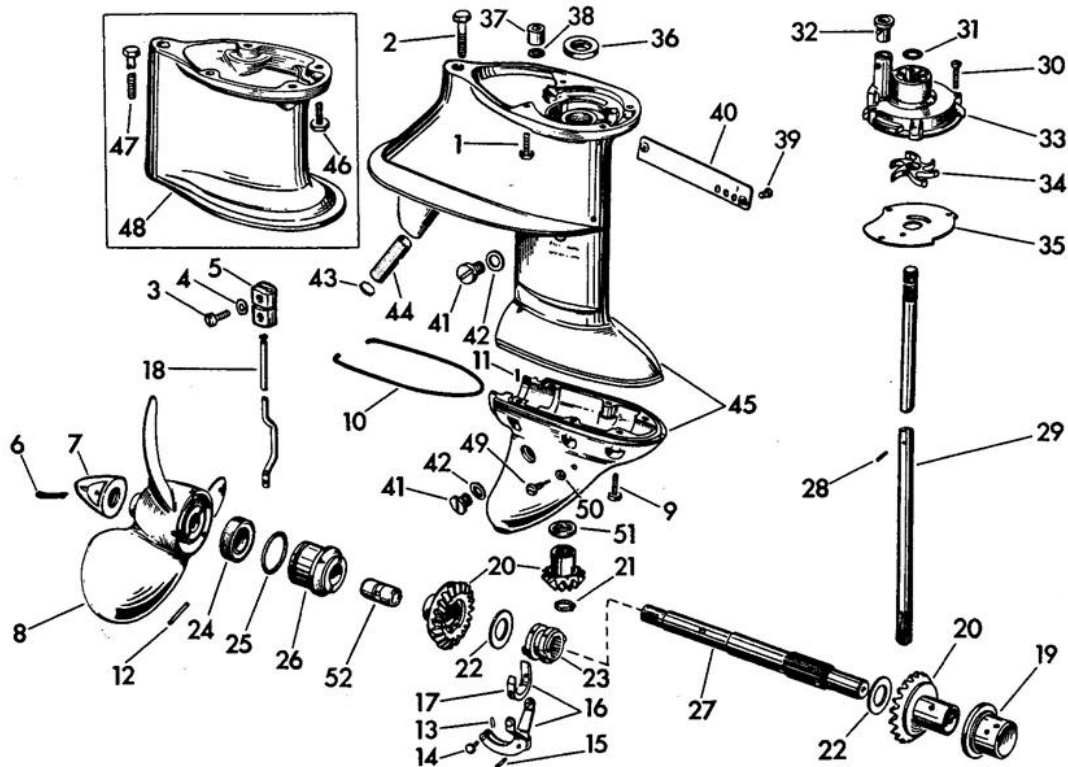
REF. NO.	PART NO.	NAME OF PART	QTY.	REF. NO.	PART NO.	NAME OF PART	QTY.
*	376850	Starter motor assembly	1	11	204074	Starter motor screw shaft	1
1	203864	Starter motor to bracket frame screw	2	12	204080	Starter motor pinion	1
2	19X124	Starter motor to frame screw lock washer	2	13	204070	Starter motor thrust cup washer	1
3	303932	Starter motor terminal nut	1	14	204072	Starter motor cushion cup	1
4	19X124	Starter motor terminal nut lock washer	1	15	204077	Starter motor cushion spacer	1
*	277706	Starter motor drive assembly	1	16	204073	Starter motor cushion	1
5	120219	Armature shaft nut cotter pin	1	17	204076	Starter motor thrust washer	1
6	203569	Starter motor drive nut	1	18	277705	Starter motor end plate assembly	1
7	204079	Starter motor pinion stop	1	19	†	Thrust washer - armature - upper	1
8	204078	Starter motor anti-drift spring	1	20	†	Armature assembly	1
9	204071	Starter motor pinion washer	1	21	†	Thrust washer - armature - lower	1
10	204075	Starter motor anti-drift spring sleeve	1	22	†	Commutator end head assembly	1
				23	277707	Starter motor brush set	1
				24	†	Frame and field assembly	1

*Not Shown

†These parts must be serviced and ordered through local Auto-Lite dealer. Insist on Marine treated parts furnished for Outboard Service only.

ORDER YOUR PARTS FROM YOUR DISTRICT SERVICE STATION

FASTWIN *Electric* GEAR CASE



REF. NO.	PART NO.	NAME OF PART	QTY.	REF. NO.	PART NO.	NAME OF PART	QTY.
*	377118	Gear case assembly complete . . .	1	27	304265	Propeller shaft	1
1	302510	Upper gear hsg. to exh. hsg. screw	4	28	300771	Pump impeller pin	1
2	302871	Exh. hsg. to gear case screw, rear	1	29	303860	Drive shaft	1
*	376407	Shift rod connector and screw assy	1	29	304036	Drive shaft, 5 in. longer	1
3	304024	Shift rod connector screw	2	30	302508	Imp. hsg. to upper gear hsg. screw	3
4	301551	Shift rod connector screw lock-washer	2	31	303067	Drive shaft to crankshaft "O" ring	1
5	303794	Upper and lower shift rod connector	1	32	302497	Water tube grommet, lower	1
6	19X84	Propeller nut cotter pin	1	33	303070	Impeller housing	1
7	376501	Propeller nut	1	34	375638	Water pump impeller	1
8	277599	Propeller and bushing	1	35	303069	Impeller housing plate	1
9	304070	Gear housing screw	6	35	376509	Impeller housing and plate	1
10	302513	Upper to lower gear case seal	1	36	41A62	Drive shaft seal	1
11	300611	Front and rear bearing dowel	2	37	301878	Shift rod bushing, lower	1
12	203663	Propeller drive pin	1	38	301877	Lower shift rod seal "O" ring	1
13	15X268	Yoke to pin cotter pin	1	39	302509	Water by-pass cover screw	2
14	302504	Yoke to shift rod pin	1	40	302505	Water by-pass cover	1
15	302501	Shifter lever pivot pin, to motors 07000	1	41	27A283	Oil plug	2
16	376164	Shifter lever and cradle assembly	1	42	27X284	Oil plug washer	2
17	302500	Cradle	1	43	300314	Water intake screen plug	1
18	303098	Shift rod, lower	1	44	302757	Water intake screen	1
18	303257	Shift rod, lower, 5 in. longer	1	45	377117	Gear housing, upper and lower	1
19	302496	Front bearing	1	46	302510	Gear housing to gear case ext. screw, 5 in. longer	4
20	377068	Set of gears (also includes 52)	1	47	304135	Exh. housing to gear case ext. screw, rear, 5 in. longer	1
21	301883	Pinion retaining ring	1	48	304136	Gear case ext., 5 in. longer	1
22	301884	Propeller shaft thrust washer	2	49	303358	Shifter lever pivot pin, motors 07001 and up	1
23	375711	Clutch dog shifter assembly	1	50	304083	Shifter lever pivot pin washer, motors 07001 and up	1
24	302495	Propeller shaft seal, to motors 07000	1	51	303996	Pinion thrust washer	1
24	302545	Propeller shaft seal, motors 07001 and up	1	52	303997	Rear reversing gear bushing	1
25	302493	Gear case head "O" ring	1				
26	377112	Gear hsg. head and seal assembly	1				

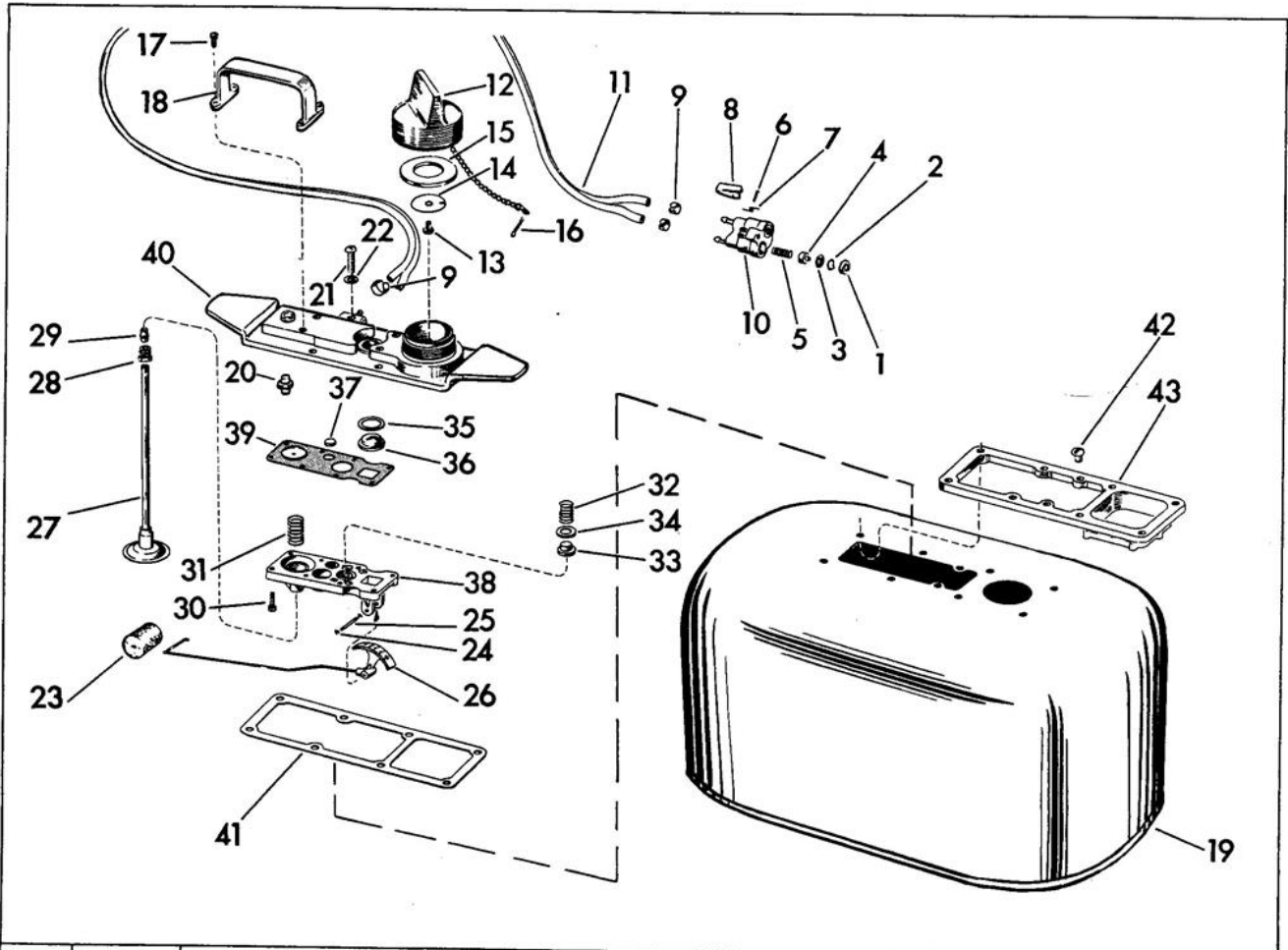
*Not Shown

†Heavy Duty (Bronze - chrome Plated)

ORDER YOUR PARTS FROM YOUR DISTRICT SERVICE STATION

277 543
277 583

CRUIS-A-DAY FUEL TANK



REF. NO.	PART NO.	NAME OF PART	QTY.	REF. NO.	PART NO.	NAME OF PART	QTY.
*	277695	Fuel tank assembly	1	21	304137	Support plate to housing screw, long	8
1	301828	Fuel connector seal ring retainer.	2	22	301814	Support plate to hsg. screwgasket	8
2	301824	Fuel connector seal "O" ring	2	23	302559	Fuel tank float	1
3	301827	Fuel connector valve guide washer	2	24	302654	Indicator pin snap ring	2
4	301826	Fuel connector valve	2	25	302653	Indicator to lower housing pin	1
5	301825	Fuel connector valve spring	2	26	375778	Indicator assembly	1
6	301832	Fuel connector lock rivet	1	27	375846	Fuel tank foot valve assembly	1
7	301829	Fuel connector lock spring	1	28	132691	Fuel line nut	1
8	301830	Fuel connector lock	1	29	13X304	Fuel line gland	1
9	301822	Hose clamp	4	30	13X558	Lower to upper housing screw	8
10	375587	Fuel connector housing assembly	1	31	301803	Fuel pump spring	1
11	301821	Fuel tank to connector hose standard length	1	32	302135	Pressure release valve spring	1
11	302379	Fuel tank to connector hose, (specify length)	1	33	302136	Pressure release valve	1
12	375817	Filler cap assembly	1	34	302137	Pressure release valve washer	1
13	301837	Filler cap screw	1	35	302571	Fuel tank seal	1
14	302560	Filler cap plate	1	36	302568	Fuel tank glass	1
15	301835	Filler cap gasket	1	37	301802	Disc valve	1
16	15X213	Filler cap chain cotter pin	1	38	302555	Fuel tank lower housing	1
17	13X558	Handle to housing screw, upper	4	39	376987	Fuel pump diaphragm assembly	1
18	302570	Fuel tank handle	1	40	376988	Fuel tank housing, upper	1
19	277238	Fuel tank only	1	41	302557	Fuel tank gasket	1
20	304976	Fuel pump push button	1	42	53X85	Support plate to plate screw	2
				43	302556	Fuel tank support plate	1
				*	277724	Set of decals	1

* Not Shown

ORDER YOUR PARTS FROM YOUR DISTRICT SERVICE STATION

EVINRUDE MOTORS • MILWAUKEE 16, WISCONSIN

ITEM 2834 - 5-57-5M

IN CANADA: EVINRUDE MOTORS, PETERBOROUGH, ONTARIO

LITHO U.S.A.