

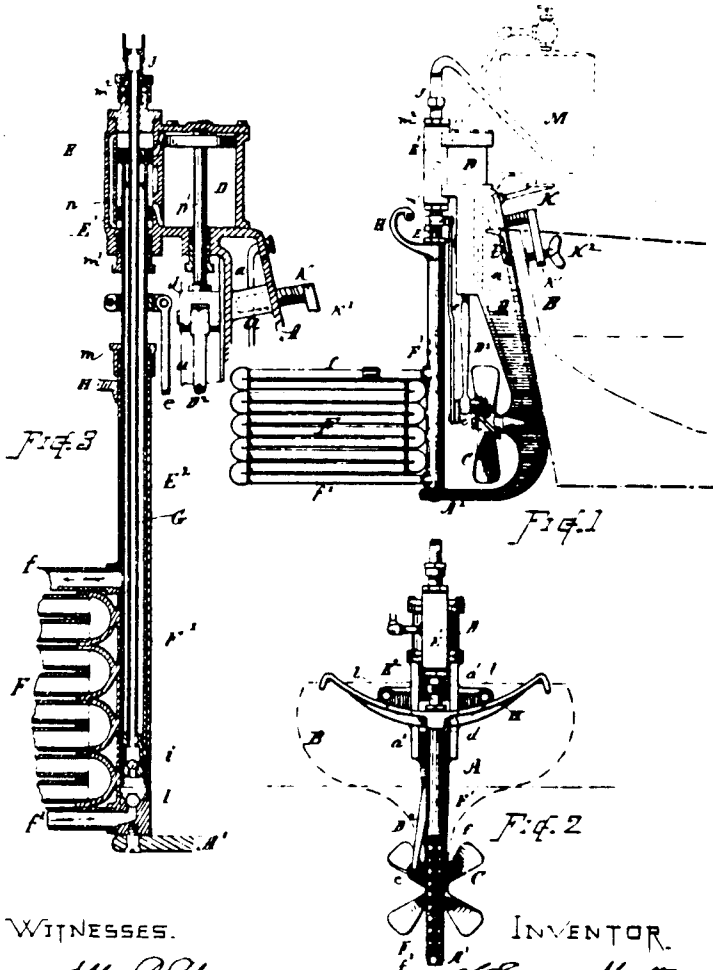
(No Model.)

S. E. HARTMAN.

MACHINERY FOR PROPELLING AND STEERING BOATS.

No. 366,662.

Patented July 19, 1887.



WITNESSES.

Wm. P. Blount
H. J. Fay

INVENTOR.

S. E. Hartman
By Charles H. Bentleigh

Almost 60 years of outboard progress starting in 1905, when Cameron B. Waterman invented the Waterman Porto. Above photos and at right shows the advancement through the years.

Photo at left is believed to be the first patent granted in the United States, although there is no record of any produced.