

**RIDE - GUIDE STEERING**

**STEERING WHEELS AND CABLES:**

SEE PAGE 50A FOR C-48250A1  
RIDE-GUIDE TILT MOUNT ASSEMBLY

STEERING WHEEL PART NO.	TYPE	MOUNTING KIT	MODELS	STEERING CABLE <i>Page 18A</i>	SUPER RIDE GUIDE KIT <i>Page 25A</i>	EXTENSION CABLE KIT <i>Page 42A</i>
C-29071A1 <i>Page 18A</i>	Round	Included (20°)	All	C-37305A__	C-31217A2	C-30707A1
C-29401A1 <i>Page 18A</i>	Round	Included (90°)	All	C-37305A__	C-31217A2	C-30707A1
C-31269A1 <i>Page 21A</i>	Deluxe	Included (20°)	All	C-37305A__	C-31217A2	C-30707A1
C-31331A1 <i>Page 21A</i>	Deluxe	Included (90°)	All	C-37305A__	C-31217A2	C-30707A1
C-32401A1 <i>Page 22A</i>	Captain 20"	Order Either (A) or (B) Listed Below	All	C-34451A__ or C-37305A__	C-31217A2	C-30707A1
C-32402A1 <i>Page 22A</i>	Captain 16"	Order Either (A) or (B) Listed Below	All	C-34451A__ or C-37305A__	C-31217A2	C-30707A1
C-34659A2 <i>Page 45A</i>	Indicator	Order Either (C) or (D) Listed Below	All	C-34451A__ or C-37305A__	C-31217A2	C-30707A1
C-38605A1 <i>Page 47A</i>	Rich Red <i>(Slotted Spoke)</i>	Order Either (A) or (B) Listed Below	All	C-34451A__ or C-37305A__	C-31217A2	C-30707A1
C-38605A2 <i>Page 47A</i>	Light Gold <i>(Slotted Spoke)</i>	Order Either (A) or (B) Listed Below	All	C-34451A__ or C-37305A__	C-31217A2	C-30707A1
C-38605A3 <i>Page 47A</i>	Silver <i>(Slotted Spoke)</i>	Order Either (A) or (B) Listed Below	All	C-34451A__ or C-37305A__	C-31217A2	C-30707A1
C-38605A4 <i>Page 47A</i>	Royal Blue <i>(Slotted Spoke)</i>	Order Either (A) or (B) Listed Below	All	C-34451A__ or C-37305A__	C-31217A2	C-30707A1
C-46369A1 <i>Page 47A</i>	Rich Red <i>(3 Hole Spoke)</i>	Order Either (A) or (B) Listed Below	All	C-34451A__ or C-37305A__	C-31217A2	C-30707A1
C-46369A2 <i>Page 47A</i>	Light Gold <i>(3 Hole Spoke)</i>	Order Either (A) or (B) Listed Below	All	C-34451A__ or C-37305A__	C-31217A2	C-30707A1
C-46369A3 <i>Page 47A</i>	Silver <i>(3 Hole Spoke)</i>	Order Either (A) or (B) Listed Below	All	C-34451A__ or C-37305A__	C-31217A2	C-30707A1
C-46369A4 <i>Page 47A</i>	Royal Blue <i>(3 Hole Spoke)</i>	Order Either (A) or (B) Listed Below	All	C-34451A__ or C-37305A__	C-31217A2	C-30707A1
C-46369A5 <i>Page 47A</i>	Black <i>(3 Hole Spoke)</i>	Order Either (A) or (B) Listed Below	All	C-34451A__ or C-37305A__	C-31217A2	C-30707A1
C-46369A6 <i>Page 47A</i>	White <i>(3 Hole Spoke)</i>	Order Either (A) or (B) Listed Below	All	C-34451A__ or C-37305A__	C-31217A2	C-30707A1
C-46752A1 <i>Page 47A</i>	Black <i>(Sponge Grip)</i>	Order Either (A) or (B) Listed Below	All	C-34451A__ or C-37305A__	C-31217A2	C-30707A1
C-46395A1 <i>Page 47A</i>	Plastic	Order Either (A) or (B) Listed Below	All	C-34451A__ or C-37305A__	C-31217A2	C-30707A1

(A) C-32399A1 - 20° Mount Kit (white) - *Page 22A*      (B) C-32400A1 - 90° Mount Kit (white) - *Page 22A*      (C) C-34667A1 - 20° Mount Kit (*Page 45A*)  
 (A) C-32399A2 - 20° Mount Kit (black) - *Page 22A*      (B) C-32400A2 - 90° Mount Kit (black) - *Page 22A*      (D) C-34668A1 - 90° Mount Kit (*Page 45A*)

TURN PAGE FOR RIDE-GUIDE ATTACHING KITS

## RIDE - GUIDE ATTACHING KITS:

MERC MODELS	SINGLE	DUAL	REAR	REMARKS
650-6, 800 (4 cyl.), 1000E-SS-1, 1150, 1250E-SS-1, & 1350	A-30151A2 <i>Page 26A</i>	A-38619A2 <i>Page 29A</i>	A-39959A2 <i>Page 52A</i>	With rear attaching kit, a single attaching kit must also be ordered.
650-4, 650-5, 950-1 1000E-SS, 1100-1 and 1250E-SS	A-30151A2 <i>Page 26A</i>	A-38619A1 <i>Page 29A</i>	A-39959A2 <i>Page 52A</i>	With rear attaching kit, a single attaching kit must also be ordered.
650-3, 950 and 1100	A-30151A2 <i>Page 26A</i>	A-38619A1 <i>Page 29A</i>	A-39959A1 <i>Page 52A</i>	With rear attaching kit, a single attaching kit must also be ordered.
650-2, 900 and 1000-2	A-30151A2 <i>Page 26A</i>	A-38619A1 <i>Page 29A</i>	C-30320A2 <i>Page 41A</i>	With rear attaching kit, a single attaching kit must also be ordered.
650, 800, 850 and 1000	A-30151A2 <i>Page 26A</i>	A-30372A1 <i>Page 29A</i>	C-30320A1 <i>Page 41A</i>	With rear attaching kit, a single attaching kit must also be ordered.
600 and 700	A-30775A1 <i>Page 26A</i>	A-30776A1 <i>Page 29A</i>	C-30320A1 <i>Page 41A</i>	With rear attaching kit, a single attaching kit must also be ordered.
300, 350, 400, 450, and 500	A-30775A1 <i>Page 26A</i>	A-30776A1 <i>Page 29A</i>	None	
350-4-5 & -6 (2 cyl.) 400 (2 cyl.), 500-6-7-8-9	A-30151A2 <i>Page 26A</i>	A-39128A1 <i>Page 29A</i>	None	
350-3 (2 cyl.) and 500-4	A-30151A2 <i>Page 26A</i>	A-39128A1 <i>Page 29A</i>	None	
100, 150, 200 and 250	A-29749A1 <i>Page 30A</i>	A-29750A1 <i>Page 33A</i>	None	
350 (2 cyl.)	A-33968A4 <i>Page 34A</i>	A-34739A1 <i>Page 46A</i>	None	
200 (Shift)	A-33785A2 <i>Page 43A</i>	None	None	
60, 75 and 110	A-30773A3 <i>Page 34A</i>	None	None	
39 and 40	A-30773A2 <i>Page 34A</i>	None	None	

MARK MODELS	SINGLE	DUAL	REAR	REMARKS
35A, 50, 55, 55A, 58, 58A, 75, 75A, 78, and 78A	A-29782A1 <i>Page 26A</i>	A-29781A1 <i>Page 29A</i>	C-30320A1 (6 Cyl. only) <i>Page 41A</i>	With rear attaching kit, a single attaching kit must also be ordered.
30 and WA25	A-25925A1 <i>Page 5A</i>	A-26677A1 <i>Page 6A</i>	None	
25	A-25925A1 <i>Page 5A</i>	A-26677A2 <i>Page 6A</i>	None	
10, 10A, 15A, 28, and 28A	A-29749A1 <i>Page 30A</i>	A-28879A2 <i>Page 8A</i>	None	

# RIDE - GUIDE KITS FOR COMPETITIVE MODELS

1964 MODELS AND BELOW

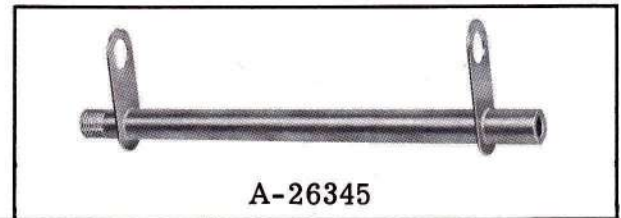
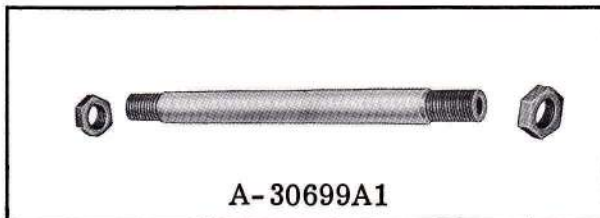
Universal Attaching Kit (Page 37A and 38A)	
SINGLE	DUAL
A-30084A1 (3/4" O. D. cable)	A-30084A1 and A-30354A1
A-30728A2 (7/8" O. D. cable)	A-30728A2 and A-30354A1

*Order Steering Wheels and Steering Cables for Universal Attaching Kits from Order Chart on Index Page.*

1965 MODELS AND UP

Universal Attaching Kit (Page 49A and 62A)	
MODEL	SINGLE
Mercury Motors <i>(when using C-34451A_or C-37305A_Ride-Guide Cable)</i>	C-38047A1 and C-38047A4
Competitive Motors <i>(except Johnson and Evinrude V-90 and V-100)</i>	C-38047A1 and C-38047A2
Competitive Motors <i>(Johnson and Evinrude V-90 and V-100 only)</i>	C-38047A1 and C-38047A3
Competitive Motors <i>(Chrysler only)</i>	C-38047A1 and C-38047A5
Mercury Motors & Competitive Motors	C-38047A9

## RIDE-GUIDE TILT TUBE ADAPTORS



ADAPTOR PART NO.	MODELS	USE ON MODELS WITH	PURPOSE
A-26163	Mark 25, 30, WA25	A-16-20694 solid stud	eliminates drilling of clamp and swivel brackets
A-26345	Mark 50, 55	A-16-20218 solid stud	
A-26885 <i>(for 3/4" cable)</i>	Mark 10, 10A, 15A, 28, 28A, 25, 30	A-16-25674 hollow stud	to give an additional 1 3/4" outward extension  and
A-32280 <i>(for 7/8" cable)</i>	Merc 100, 150, 200, 250		
A-26886 <i>(for 3/4" cable)</i>	Mark 35A, 55, 55A, 58, 58A, 75, 75A, 78, 78A	A-25593 or A-28122 tilt tube	to be able to install 7/8" OD cable on older engines when using either A-31558 or A-32280 adaptor
A-31558 <i>(for 7/8" cable)</i>	Merc 300, 350, 400, 600, 700, 800		
A-30699A1 <i>(includes 2 each C-11-25599 nuts)</i>	Merc 350, 450, 500, 650, 700, 800, 850, 1000 (shift engines)	C-30664 tilt tube	to reduce threaded ends from 7/8" OD to 3/4" OD
	Merc 60, 110	A-30874 tilt tube	

## RIDE-GUIDE STEERING WHEEL KIT

PART NO.	REF. NO.	DESCRIPTION	A-25884A1	A-25884A4
A-25884A1	-	Ride-Guide Steering Wheel Kit <i>(see note below)</i>	*	-
A-25884A4	-	Ride-Guide Steering Wheel Kit <i>(see note below)</i>	-	*
A-25522	1	Wheel, steering <i>(no longer available)</i>	1	-
A-26100	2	Insert, taplock	1	-
A-28376A1	1	Steering Wheel Assembly	-	1
A-38-28379	3	Plate, name - Ride-Guide	-	1
A-38-28410	4	Cover, name plate - plastic	-	1
C-25890	5	Shaft, steering wheel	1	1
A-25886	6	Bracket, steering wheel mounting	1	1
A-23-21749	7	Bushing, steering wheel bracket	2	2
C-12-25897	8	Washer, gear rack pinion	1	1
C-23-25901	9	Bushing, gear rack housing	2	2
C-25887	10	Rack, gear	1	1
C-25884	11	Housing, gear rack	2	2
C-25895	12	Tube, gear rack - inside (cable end)	1	1
C-25896	13	Tube, gear rack - outside (open end)	1	1
C-26059	14	Cap, rubber - gear rack tube (open end)	1	1
C-25898	15	Pinion, gear rack	1	1
C-10-20784	16	Screw, gear rack housing clamping (1/4")	#7	6
C-11-20361	17	Nut, gear rack housing clamping screw (1/4")	#7	6
C-10-24217	16	Screw, gear rack housing clamping (3/8")	-	1
C-11-20509	17	Nut, gear rack housing clamping screw (3/8")	-	1
A-25894	18	Pin, pivot lock	1	1
C-11-20509	19	Nut, pivot lock pin	1	1
C-12-25893	20	Washer, lower gear rack housing	1	-
C-12-27966	21	Washer, lower gear rack housing	-	1
A-10-25892	22	Screw, gear rack housing to steering wheel	1	-
A-16-27965	23	Stud, gear rack housing to steering wheel	-	1
C-13-26993	24	Lockwasher, gear rack housing fastening screw	1	-
C-13-27969	24	Lockwasher, gear rack housing stud	-	1
C-11-23161	25	Nut, gear rack housing stud	-	1
C-10-28532	26	Screw, steering wheel mounting	-	3
C-12-20346	27	Washer, steering wheel mounting screw	-	3
C-11-20013	28	Nut, steering wheel mounting screw	-	3

\* A-25884A1 and A-25884A4 Steering Wheel Kits are no longer available and are replaced by C-29071A1 Steering Wheel Kit. Component parts are still stocked so order your replacement parts accordingly.

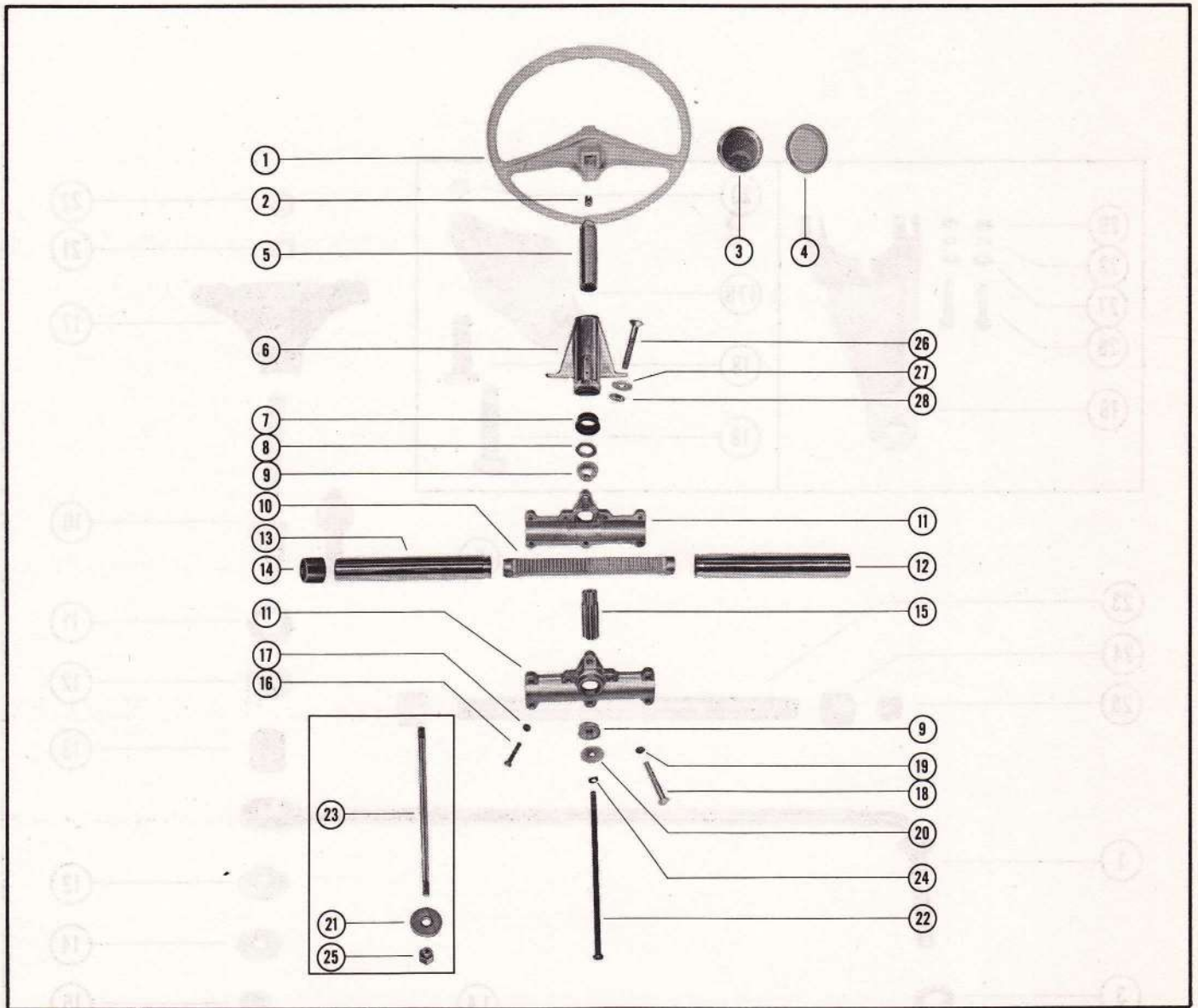
# When mounting "FORE-AFT" Ride Guide Attachment Kit on left side of engine, remove screw and nut from center hole opposite of pivot lock pin hole and replace with one 3/8" screw (C-10-24217) and nut (C-11-20509). See instruction sheet (C-90-27842) included with each "FORE-AFT" Ride Guide Attachment Kit.

## RIDE-GUIDE STEERING ADAPTOR BRACKET ASSEMBLY

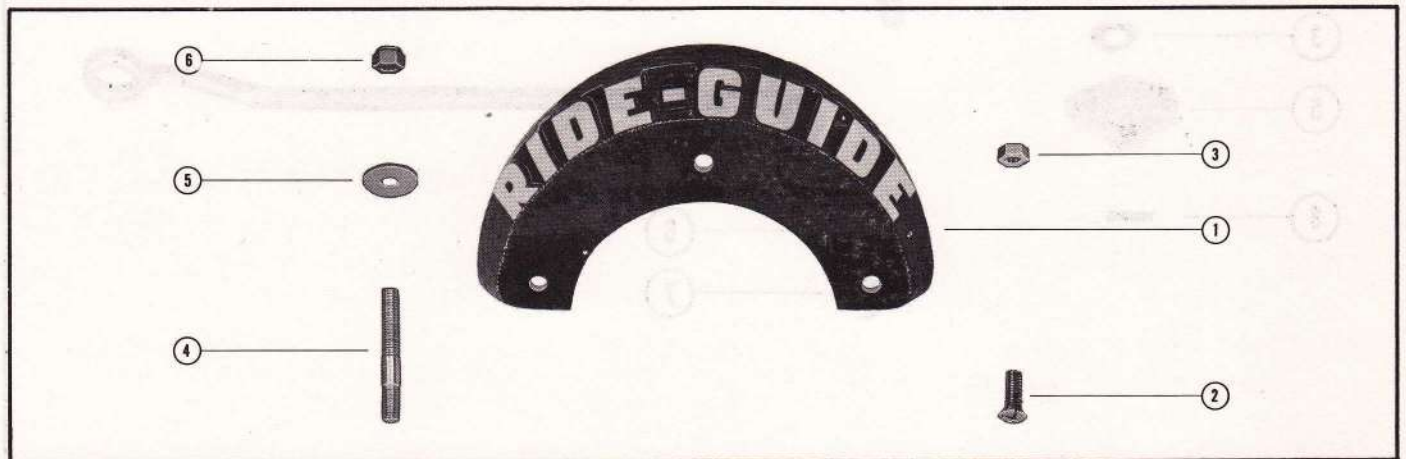
PART NO.	REF. NO.	DESCRIPTION	QUANTITY
A-25978A1	1	Ride-Guide Steering Adaptor Bracket Assembly <i>(see note below)</i>	1
C-10-25981	2	Screw, steering wheel to adaptor bracket	3
C-11-25980	3	Nut, steering wheel to adaptor bracket screw	3
C-16-25979	4	Stud, adaptor bracket mounting	3
C-12-25908	5	Washer, bracket mounting stud	3
C-11-20361	6	Nut, bracket mounting stud	3

NOTE: Use only where 90° horizontal mounting is desired and with A-25884A1 or A-25884A4 Steering Wheel Kit.

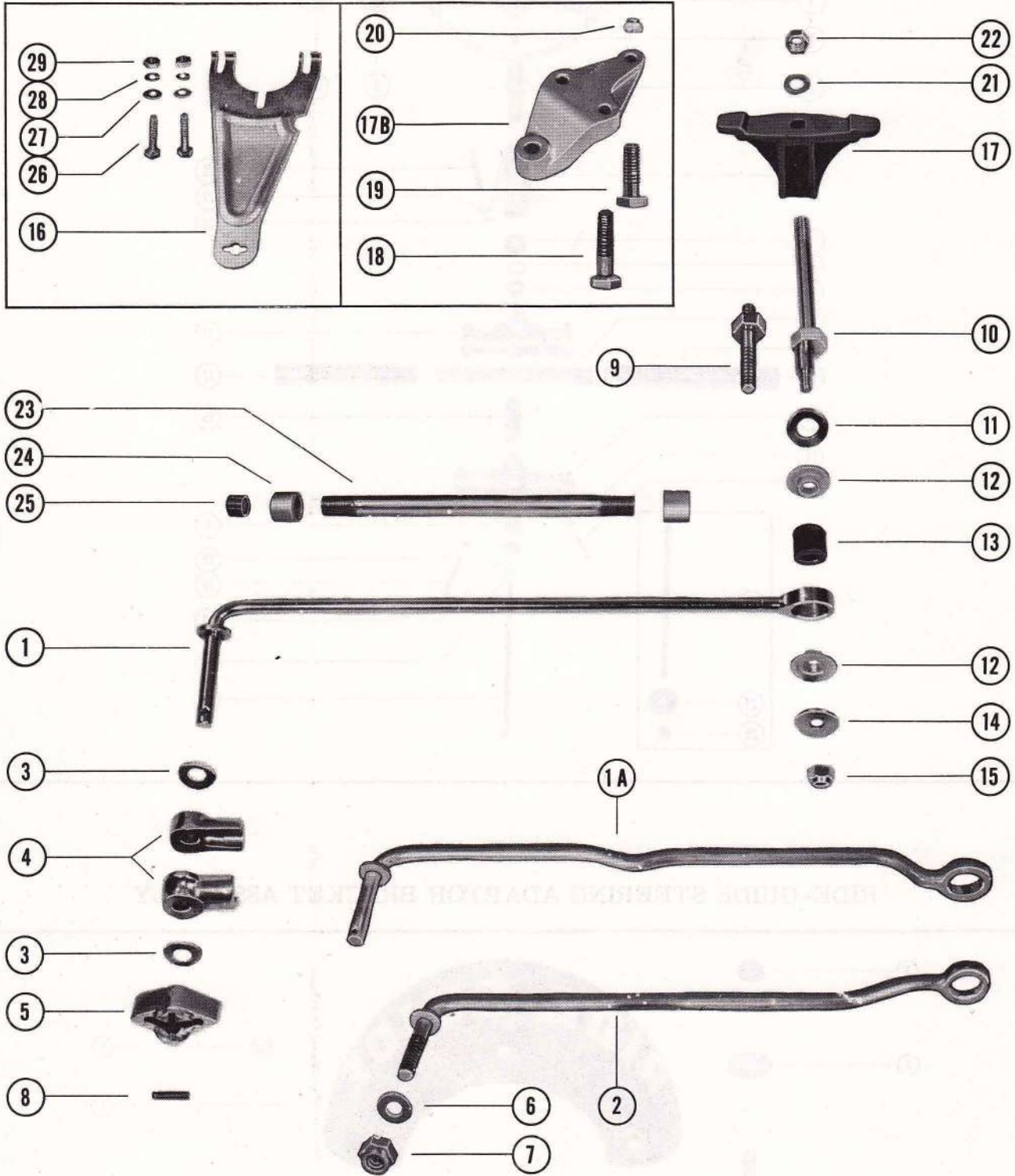
# RIDE-GUIDE STEERING WHEEL KIT



# RIDE-GUIDE STEERING ADAPTOR BRACKET ASSEMBLY



RIDE-GUIDE ATTACHING KIT



RIDE-GUIDE ATTACHING KIT

PART NO.	REF. NO.	DESCRIPTION	A-28689A3	A-28689A2	A-25926A1	A-25925A1	A-25924A1	A-28400A1	A-29173A1
A-28689A3	-	Ride-Guide Attachment Kit (single)	#	-	-	-	-	-	-
A-28689A2	-	Ride-Guide Attachment Kit (single)	-	#	-	-	-	-	-
A-25926A1	-	Ride-Guide Attachment Kit (single)	-	-	1	-	-	-	-
A-25925A1	-	Ride-Guide Attachment Kit (single)	-	-	-	1	-	-	-
A-25924A1	-	Ride-Guide Attachment Kit (single)	-	-	-	-	*	-	-
A-28400A1	-	Ride-Guide Attachment Kit (single)	-	-	-	-	-	*	-
A-29173A1	-	Ride-Guide Attachment Kit (single)	-	-	-	-	-	-	*
A-25902A5	1	Steering Link Rod Ass'y (5/16" thick) - threaded end	1	-	-	-	-	-	-
A-25902A1	1	Steering Link Rod Ass'y (5/16" thick)	-	1	-	1	1	-	-
A-25903A1	1A	Steering Link Rod Ass'y (5/16" thick)	-	-	1	-	-	-	-
A-28400	2	Rod, steering link (3/8" thick)	-	-	-	-	-	1	-
A-29176	2	Rod, steering link (3/8" thick) - threaded end	-	-	-	-	-	-	1
C-13-25906	3	Washer, wave - cable end coupler lock (use with 5/16" rod)	-	2	2	2	2	-	-
C-13-28375	3	Washer, wave - cable end coupler lock (use with 3/8" rod)	-	-	-	-	-	2	-
C-25888	4	Coupler, cable end (use with 5/16" rod)	2	2	2	2	2	-	-
C-27872	4	Coupler, cable end (use with 3/8" rod)	-	-	-	-	-	2	2
A-25889	5	Coupler Lock, cable end (use with 5/16" rod)	-	1	1	1	1	-	-
A-28401	5	Coupler Lock, cable end (use with 3/8" rod)	-	-	-	-	-	1	-
C-12-20084	6	Washer, steering link rod	1	-	-	-	-	-	-
C-11-20102	7	Nut, steering link rod	1	-	-	-	-	-	-
C-11-23161	7	Nut, steering link rod	-	-	-	-	-	-	1
C-17-25905	8	Roll Pin, steering link rod	-	1	1	1	1	1	-
A-17-29301	9	Pin, pivot	1	-	-	-	-	-	-
A-17-28692	10	Pin, eccentric pivot	-	1	-	-	-	-	-
A-25916	10	Pin, eccentric pivot	-	-	1	-	-	-	-
A-25923	10	Pin, eccentric pivot	-	-	-	1	-	-	-
A-25910	10	Pin, eccentric pivot	-	-	-	-	1	-	-
A-17-28047	10	Pin, eccentric pivot	-	-	-	-	-	1	-
A-17-29175	10	Pin, pivot	-	-	-	-	-	-	1
C-12-25909	11	Washer, pivot pin	1	1	1	1	1	1	1
A-23-25907	12	Bushing, nylon - link rod	2	2	2	2	2	2	2
C-23-25915	13	Bushing, rubber - link rod	1	1	1	1	1	1	1
C-12-25908	14	Washer, pivot pin (lower)	1	1	1	1	1	1	1
C-11-20361	15	Nut, pivot pin fastening (lower)	1	1	1	1	1	-	-
C-11-20586	15	Nut, pivot pin fastening (lower)	-	-	-	-	-	1	1
A-28689	16	Bracket, steering	1	1	-	-	-	-	-
A-25921	17B	Bracket, link rod to bottom cowl	-	-	-	1	-	-	-
A-25929	17	Bracket, link rod to bottom cowl	-	-	-	-	1	-	-
A-27974	17	Bracket, link rod to bottom cowl	-	-	-	-	-	1	1
C-10-20784	18	Screw, bracket to bottom cowl (1 1/2")	-	-	-	2	-	-	-
C-10-20653	19	Screw, bracket to bottom cowl (1")	-	-	-	1	-	-	-
C-11-20361	20	Nut, bracket to bottom cowl screw	-	-	-	3	-	-	-
C-12-20546	21	Washer, pivot pin (upper)	-	-	1	1	1	1	1
C-12-20103	21	Washer, pivot pin (upper)	-	-	-	-	-	1	-
C-11-20102	22	Nut, pivot pin fastening (upper)	1	1	-	-	-	1	1
C-11-21528	22	Nut, pivot pin fastening (upper)	-	-	1	1	1	-	-
A-28122	23	Tube, tilt - clamp and swivel bracket	1	1	1	1	-	-	-
A-23-25904	24	Spacer, tilt tube	2	2	2	2	-	-	-
A-25955	25	Cap, tilt tube (open end)	1	1	1	1	1	1	1
C-10-21937	26	Screw, check unit adaptor to steering bracket	2	-	-	-	-	-	-
C-12-20533	27	Washer, check unit adaptor screw	2	2	-	-	-	-	-
C-13-26992	28	Lockwasher, check unit adaptor screw	2	2	-	-	-	-	-
C-11-20013	29	Nut, check unit adaptor screw	2	2	-	-	-	-	-

\* A-25924A1, A-28400A1 and A-29173A1 Ride-Guide Attaching Kits used on 4 and 6 cylinder engines are no longer available -- for replacement, order A-29782A1 Ride-Guide Attaching Kit. Component parts are still stocked, so order your replacement parts accordingly.

# A-28689A2 and A-28689A3 Ride-Guide Attaching Kits used on 2 cylinder engines are no longer available -- for replacement, order A-29749A1 Ride-Guide Attaching Kit. Component parts are still stocked, so order your replacement parts accordingly.

RIDE-GUIDE DUAL ATTACHING KIT

PART NO.	REF. NO.	DESCRIPTION	A-26677A2	A-26677A1	A-26677A4	A-27878A2
A-26677A2	-	Ride-Guide Attaching Kit (dual)	1	-	-	-
A-26677A1	-	Ride-Guide Attaching Kit (dual)	-	1	-	-
A-26677A4	-	Ride-Guide Attaching Kit (dual)	-	-	#	-
A-27878A2	-	Ride-Guide Attaching Kit (dual)	-	-	-	#
A-26677	1	*Link, dual steering	1	1	1	-
A-27973	1A	Coupling, dual steering adjuster	-	-	-	1
A-26674A1	2	*Rod Assembly, adjusting - steering link	1	1	1	-
A-27873A1	2B	Rod Assembly, adjusting - steering link	-	-	-	2
C-11-22496	2C	Nut, jam - adjusting rod	-	-	-	1
A-26675	3	*Boot, rubber - steering link and rod	1	1	1	2
A-25954	4	Pin, pivot	1	-	-	-
A-25988	4	Pin, pivot	-	1	-	-
A-25994	4	Pin, pivot	-	-	1	-
A-17-27972	4	Pin, pivot	-	-	-	1
A-25984	5	Pin, eccentric pivot	1	-	-	-
A-25989	5	Pin, eccentric pivot	-	1	-	-
A-25992	5	Pin, eccentric pivot	-	-	1	-
A-17-27975	5	Pin, eccentric pivot	-	-	-	1
C-12-25909	6	Washer, pivot and eccentric pin (3/8")	2	3	3	3
A-23-25907	7	Bushing, nylon - steering link and rod	6	6	6	6
C-23-25915	8	Bushing, rubber - steering link and rod	3	3	3	3
C-12-20546	9	Washer, pivot and eccentric pin (5/16")	1	-	2	2
C-12-20722	9	Washer, pivot and eccentric pin (5/16")	-	1	-	-
C-12-20103	9	Washer, pivot and eccentric pin (5/16")	-	-	-	2
C-11-21528	10	Nut, pivot and eccentric pin (5/16")	1	2	2	-
C-11-20102	10	Nut, pivot and eccentric pin (5/16")	-	-	-	2
A-23-25985	11	Bushing, steel - inside steering bar	1	-	-	-
A-25990	12	Bracket, pivot and eccentric pin	-	2	-	-
A-27974	12D	Bracket, pivot and eccentric pin	-	-	2	-
A-28390	12D	Bracket, pivot and eccentric pin	-	-	-	2
A-25903A1	13	Rod Assembly, steering link	1	-	-	-
A-25902A5	13	Rod Assembly, steering link	-	1	-	-
A-26879A1	13	*Rod Assembly, steering link	-	-	1	-
A-27878	13E	Rod, steering link	-	-	-	1
C-25888	14	Coupler, cable end	2	2	2	-
C-27872	14F	Coupler, cable end	-	-	-	2
A-25889	15	Coupler Lock, cable end	1	1	-	-
C-11-20102	16	*Nut, cable end couplers to link rod	-	1	1	-
C-11-20509	16	Nut, cable end couplers to link rod	-	-	-	1
C-13-25906	17	Washer, wave - link rod	2	2	-	-
C-17-25905	18	Roll Pin, link rod nut	1	1	-	-
C-17-23757	18	*Roll Pin, link rod nut	-	-	1	1
C-12-25908	19	Washer, pivot and eccentric pin (1/4")	3	2	2	2
C-11-20361	20	Nut, pivot and eccentric pin	3	2	2	-
C-11-20586	20H	Nut, pivot and eccentric pin	-	-	-	2
C-17-23928	21	Roll Pin, pivot pin (upper)	-	-	1	-
A-28122	22	Tube, tilt	1	1	-	-
A-23-25904	23	Spacer, tilt tube	2	2	-	-
A-25955	24	Cap, plastic - tilt tube	1	1	-	-
C-10-20784	25	Screw, pivot bracket to bottom cowl (1 1/2")	-	4	-	-
C-10-20653	26	Screw, pivot bracket to bottom cowl (1")	-	2	-	-
C-11-20361	27	Nut, pivot bracket to bottom cowl screws	-	6	-	-

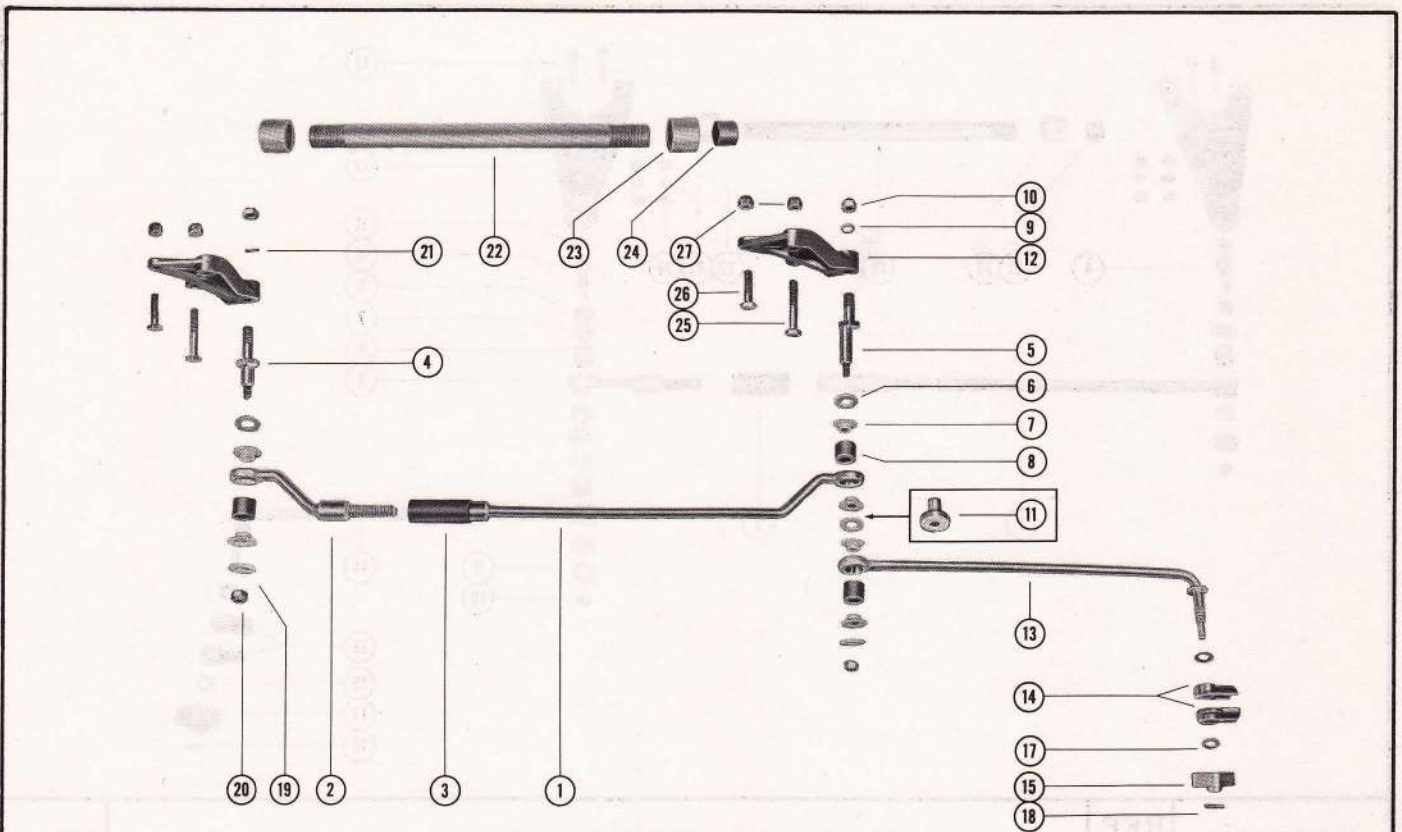
NOTE: A-26677A4 and A-27878A2 Ride-Guide Attaching Kits are No Longer Available. Order A-29781A1 Ride-Guide Attaching Kit.

NOTE: A-25947A1, A-25948A1 and A-25949A1 Ride-Guide Attaching Kits are no longer available and are replaced by Attaching Kits as listed above. All component parts are identical except for those whose description is preceded by an asterisk (\*). When replacement of these parts is necessary on earlier Attaching Kits, order corresponding part (s) as listed below:

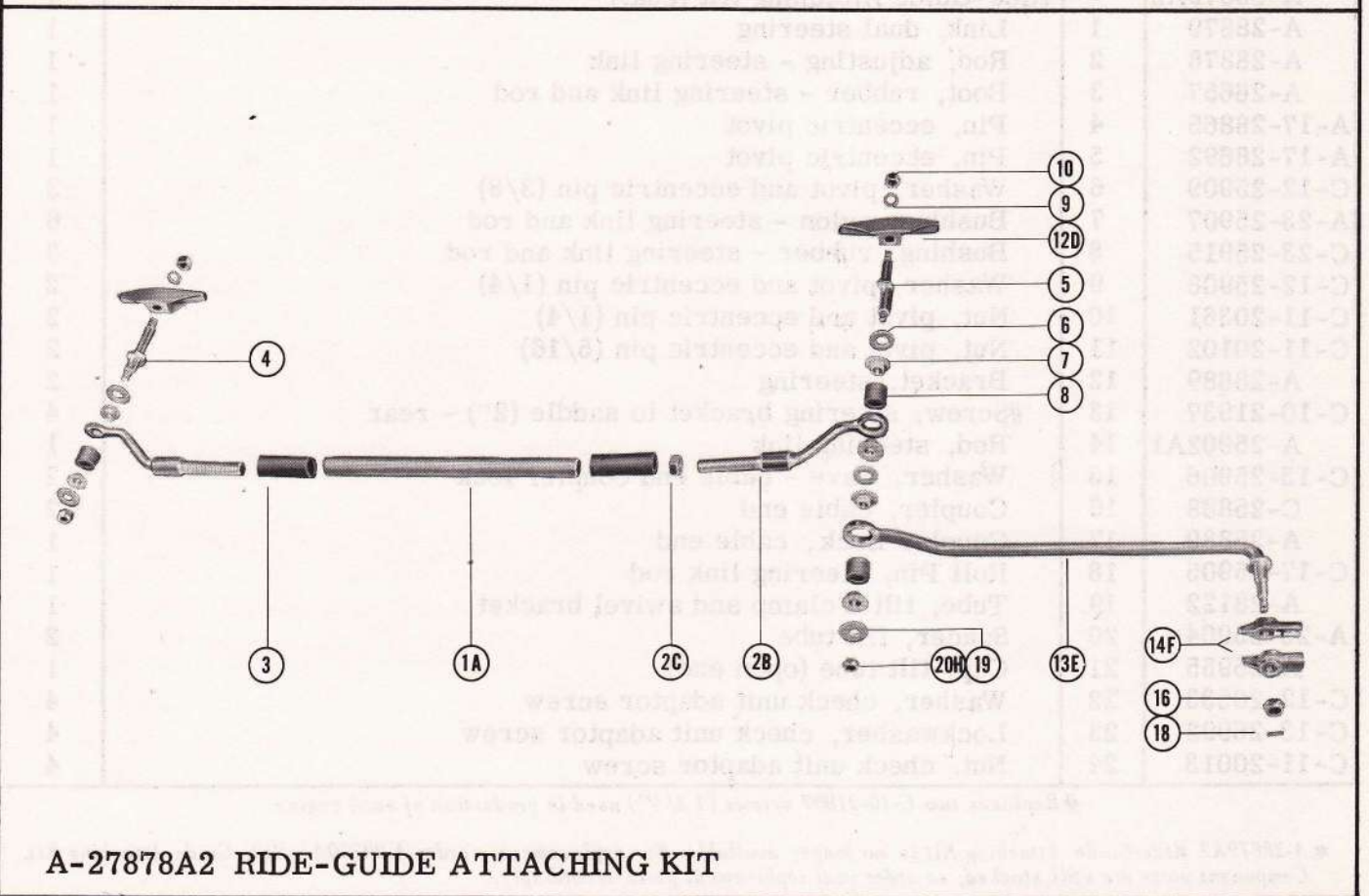
PART NO.	REF. NO.	DESCRIPTION	A-25947A1	A-25948A1	A-25949A1
A-25950	1	Link, dual control	1	1	1
A-25953	2	Rod, adjusting - steering link end	1	1	1
A-26075	3	Nipple, rubber - steering link and rod	1	1	1
A-25902A1	13	Rod Assembly, steering link (replaced by A-26879A1)	-	-	1
A-25889	15	Coupler, lock - link rod (replaced by C-11-20102)	-	-	1
C-13-25906	17	Washer, wave - link rod	-	-	2
C-17-25905	18	Pin, roll - link rod (replaced by C-17-23757)	-	-	1



# RIDE-GUIDE DUAL ATTACHING KIT

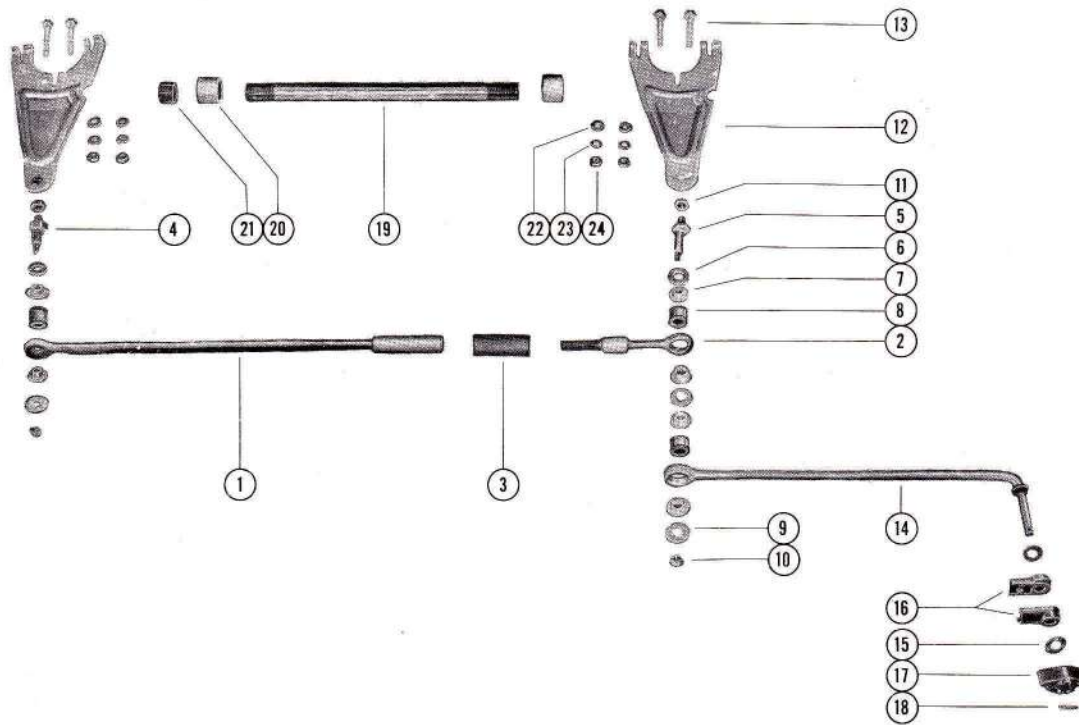


A-26677A1 RIDE-GUIDE ATTACHING KIT



A-27878A2 RIDE-GUIDE ATTACHING KIT

## RIDE-GUIDE DUAL ATTACHING KIT

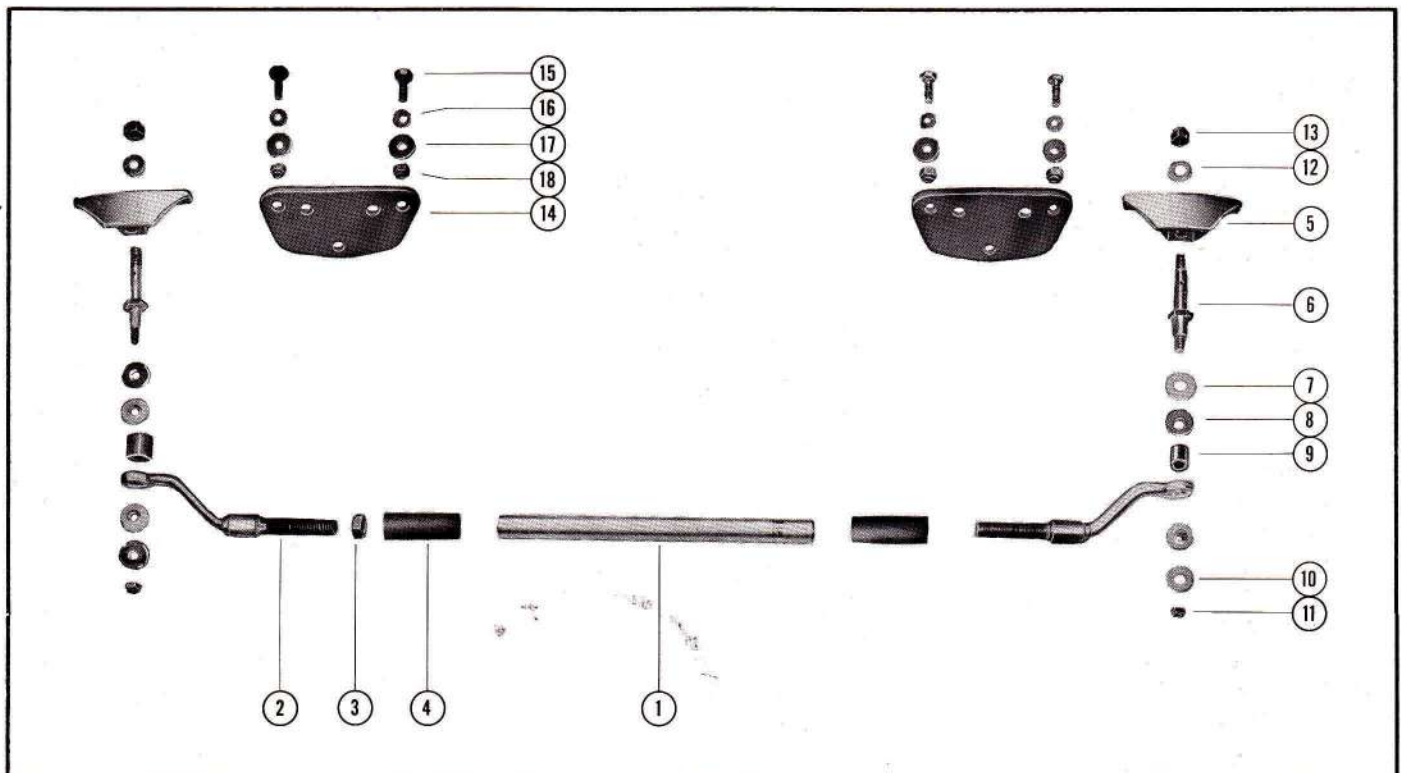


PART NO.	REF. NO.	DESCRIPTION	QUAN.
A-28879A2	-	Ride-Guide Attaching Kit (dual)	1*
A-28879	1	Link, dual steering	1
A-28878	2	Rod, adjusting - steering link	1
A-26657	3	Boot, rubber - steering link and rod	1
A-17-28865	4	Pin, eccentric pivot	1
A-17-28692	5	Pin, eccentric pivot	1
C-12-25909	6	Washer, pivot and eccentric pin (3/8)	3
A-23-25907	7	Bushing, nylon - steering link and rod	6
C-23-25915	8	Bushing, rubber - steering link and rod	3
C-12-25908	9	Washer, pivot and eccentric pin (1/4)	2
C-11-20361	10	Nut, pivot and eccentric pin (1/4)	2
C-11-20102	11	Nut, pivot and eccentric pin (5/16)	2
A-28689	12	Bracket, steering	2
C-10-21937	13	#Screw, steering bracket to saddle (2") - rear	4
A-25902A1	14	Rod, steering link	1
C-13-25906	15	Washer, wave - cable end coupler lock	2
C-25888	16	Coupler, cable end	2
A-25889	17	Coupler Lock, cable end	1
C-17-25905	18	Roll Pin, steering link rod	1
A-28122	19	Tube, tilt - clamp and swivel bracket	1
A-23-25904	20	Spacer, tilt tube	2
A-25955	21	Cap, tilt tube (open end)	1
C-12-20533	22	Washer, check unit adaptor screw	4
C-13-26992	23	Lockwasher, check unit adaptor screw	4
C-11-20013	24	Nut, check unit adaptor screw	4

#Replaces two C-10-21807 screws (1 3/4") used in production of each engine.

\* A-28879A2 Ride-Guide Attaching Kit is no longer available. For replacement -- order A-29750A1 Ride-Guide Attaching Kit. Component parts are still stocked, so order your replacement parts accordingly.

## FORE-AFT RIDE GUIDE DUAL ATTACHING KIT



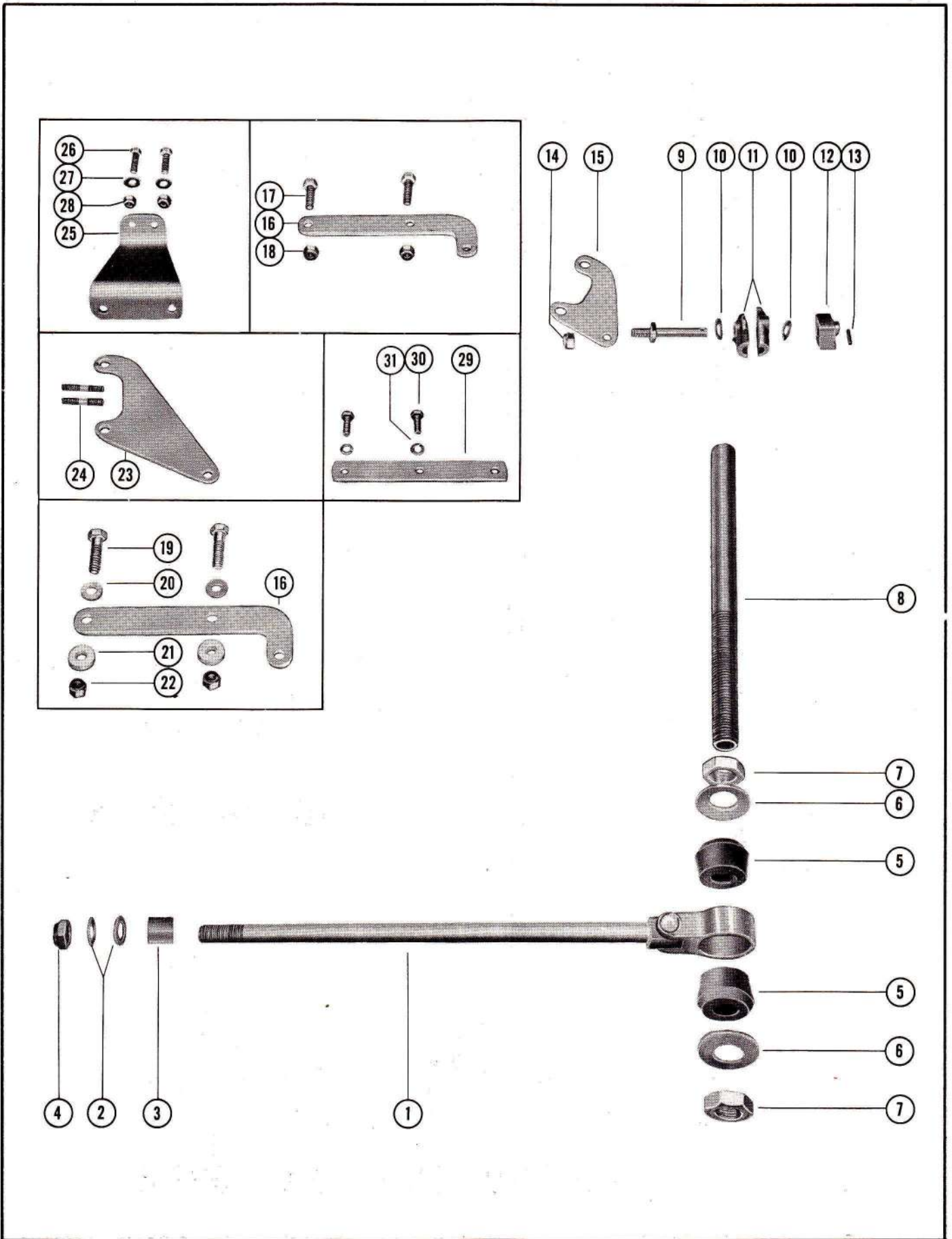
PART NO.	REF. NO.	DESCRIPTION	QUAN.
A-28288A1	-	Fore-Aft Ride Guide Attaching Kit (dual)	1
A-27973	1	Coupling, dual steering adjuster	1
A-27873A1	2	Adjusting Rod Assembly	2
C-11-22496	3	Nut, jam - adjusting rod	1
A-26675	4	Boot, rubber - adjusting rod	2
A-27974	5	Bracket, dual control	2
A-17-27972	6	Pin, pivot	2
C-12-25909	7	Washer, pivot (lower)	2
A-23-25907	8	Bushing, nylon - pivot pin	4
C-23-25915	9	Bushing, rubber - pivot pin	2
C-12-25908	10	Washer, pivot pin (lower)	2
C-11-20586	11	Nut, pivot pin to adjusting rod	2
C-12-20103	12	Washer, pivot pin (upper)	2
C-11-21528	13	Nut, pivot pin to bracket	2
A-28288	14	Plate, steering bracket	2
C-10-21625	15	Screw, plate to inside steering attachment	4
A-23-27958	16	Spacer, plate fastening screw	4
C-12-25908	17	Washer, plate fastening screw	4
C-11-20361	18	Nut, plate fastening screw	4

FORE-AFT RIDE-GUIDE ATTACHING KIT

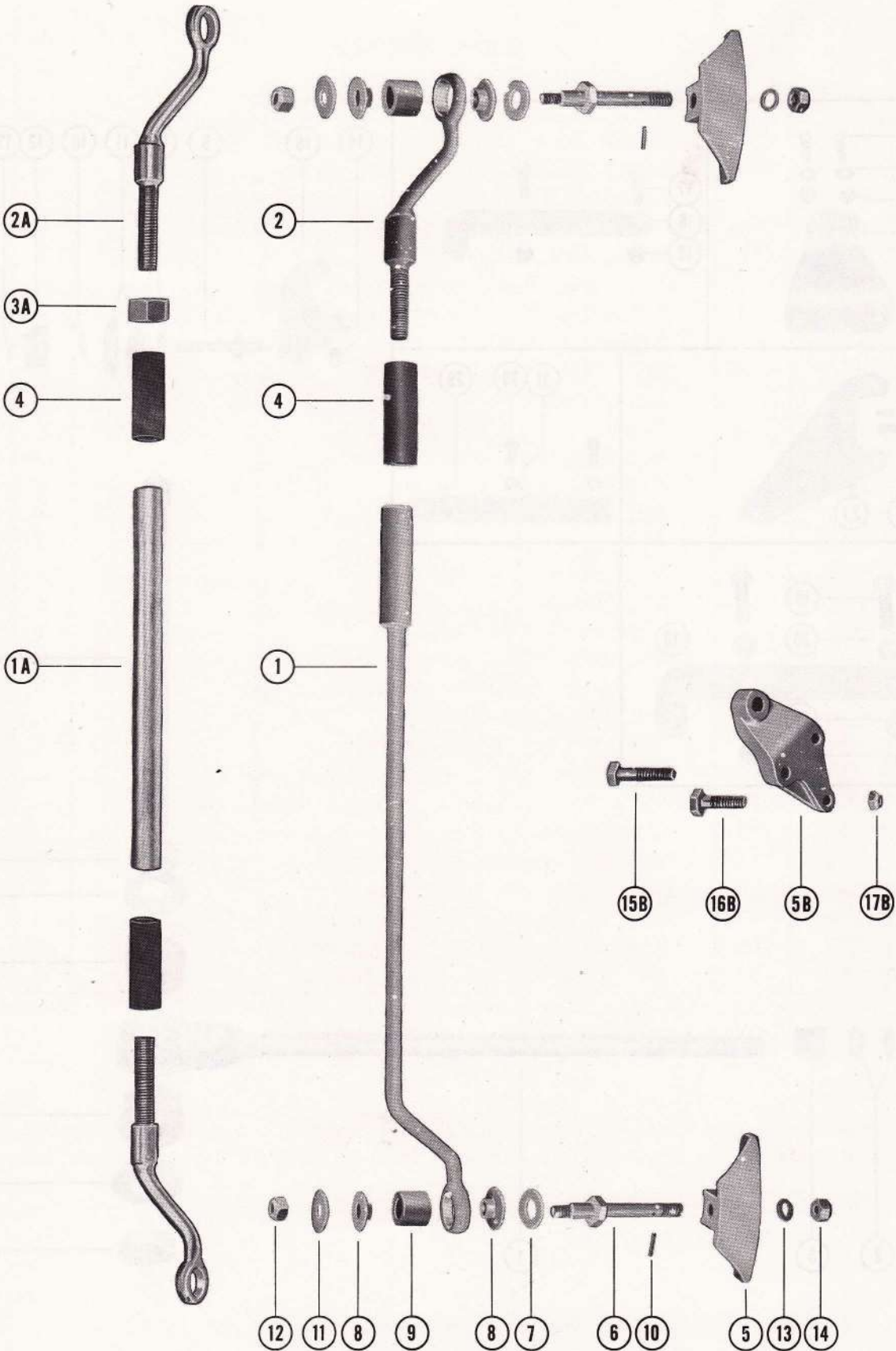
PART NO.	REF. NO.	DESCRIPTION	A-27793A1	A-27798A1	A-28331A1	A-27797A3	A-27797A1	A-27794A1
A-27793A1	-	Fore-Aft Ride-Guide Kit (single)	1	-	-	-	-	-
A-27798A1	-	Fore-Aft Ride-Guide Kit (single)	-	*	-	-	-	-
A-28331A1	-	Fore-Aft Ride-Guide Kit (single)	-	-	1	-	-	-
A-27797A3	-	Fore-Aft Ride-Guide Kit (single)	-	-	-	1	-	-
A-27797A1	-	Fore-Aft Ride-Guide Kit (single)	-	-	-	-	*	-
A-27794A1	-	Fore-Aft Ride-Guide Kit (single)	-	-	-	-	-	*
A-27817A1	1	Pivot Rod Assembly (9 3/8" long)	1	1	1	1	-	-
A-27806A1	1	Pivot Rod Assembly (11 5/8" long)	-	-	-	-	1	1
C-12-25193	2	Washer, pivot rod	1	1	1	1	2	2
A-23-27816	3	Spacer, pivot rod	1	1	1	1	-	-
C-11-20220	4	Nut, pivot rod fastening	1	1	1	1	1	1
A-23-27856	5	Bushing, rubber - pivot rod yoke	2	2	2	2	2	2
C-12-27807	6	Washer, cup - cable guide tube	2	2	2	2	2	2
C-11-20739	7	Nut, cable guide tube adjusting	2	2	2	2	2	2
A-27805	8	Tube, cable guide	1	1	1	1	1	1
A-16-27812	9	Stud, pivot	1	1	1	1	1	1
C-13-25906	10	Washer, wave - pivot stud	2	2	2	2	2	2
C-25888	11	Coupler, cable end	2	2	2	2	2	2
A-25889	12	Lock, cable end coupler	1	1	1	1	1	1
C-17-25905	13	Roll Pin, pivot stud	1	1	1	1	1	1
C-11-21528	14	Nut, pivot stud to steering plate	1	1	1	1	1	1
A-27794	15	Plate, steering	-	-	-	-	-	1
A-27797	16	Plate, steering	-	-	-	1	1	-
C-10-20639	17	Screw, steering plate to bottom cowl	-	-	-	-	2	-
C-11-21528	18	Nut, steering plate fastening screw	-	-	-	-	2	-
C-10-26066	19	Screw, steering plate to bottom cowl	-	-	-	2	-	-
C-12-20722	20	Washer, steering plate fastening screw	-	-	-	2	-	-
C-23-27818	21	Spacer, steering plate fastening screw	-	-	-	2	-	-
C-11-21528	22	Nut, steering plate fastening screw	-	-	-	2	-	-
A-27798	23	Plate, steering	-	1	-	-	-	-
C-16-20789	24	Stud, steering plate to drive shaft housing	-	2	-	-	-	-
A-27793	25	Plate, steering	1	-	-	-	-	-
C-10-22956	26	Screw, steering plate to drive shaft housing	2	-	-	-	-	-
C-12-24664	27	Washer, steering plate fastening screw	2	-	-	-	-	-
C-11-20361	28	Nut, steering plate fastening screw	2	-	-	-	-	-
A-28331	29	Plate, steering	-	-	1	-	-	-
C-10-29256	30	Screw, steering plate to drive shaft housing	-	-	2	-	-	-
C-13-26993	31	Lockwasher, steering plate screw	-	-	2	-	-	-

\*A-27798A1, A-27797A1 and A-27794A1 Fore-Aft Ride-Guide Attaching Kits are no longer available. For replacement -- order A-30084A1 Universal Ride-Guide Attaching Kit. Component parts are still stocked, so order your replacement parts accordingly.

# FORE-AFT RIDE-GUIDE ATTACHING KIT



# FORE-AFT RIDE-GUIDE DUAL ATTACHING KIT



FORE-AFT RIDE-GUIDE DUAL ATTACHING KIT

PART NO.	REF. NO.	DESCRIPTION	A-26677A7	A-26677A6	A-26677A5	A-27973A1
A-26677A7	-	Fore-Aft Ride-Guide Attaching Kit (dual)	1	-	-	-
A-26677A6	-	Fore-Aft Ride-Guide Attaching Kit (dual)	-	1	-	-
A-26677A5	-	Fore-Aft Ride-Guide Attaching Kit (dual)	-	-	*	-
A-27973A1	-	Fore-Aft Ride-Guide Attaching Kit (dual)	-	-	-	1
A-26677	1	Link, dual steering	1	1	1	-
A-27973	1A	Coupling, dual steering adjuster	-	-	-	1
A-26674A1	2	Adjusting Rod Assembly	1	1	1	-
A-27873A1	2A	Adjusting Rod Assembly	-	-	-	2
C-11-22496	3A	Nut, jam - adjusting rod	-	-	-	1
A-26675	4	Boot, rubber - adjusting rod	1	1	1	2
A-25990	5B	Bracket, dual control	-	2	-	-
A-27974	5	Bracket, dual control	-	-	2	-
A-28390	5	Bracket, dual control	-	-	-	2
A-25954	6	Pin, pivot	2	-	-	-
A-25988	6	Pin, pivot	-	2	-	-
A-25994	6	Pin, pivot	-	-	2	-
A-17-27972	6	Pin, pivot	-	-	-	2
C-12-25909	7	Washer, pivot (lower)	2	2	2	2
A-23-25907	8	Bushing, nylon - pivot pin	4	4	4	4
C-23-25915	9	Bushing, rubber - pivot pin	2	2	2	2
C-17-23928	10	Roll Pin, pivot pin	-	-	2	-
C-12-25908	11	Washer, pivot pin (lower)	2	2	2	2
C-11-20361	12	Nut, pivot pin to steering link and rod	2	2	2	-
C-11-20586	12	Nut, pivot pin to steering link and rod	-	-	-	2
C-12-20546	13	Washer, pivot pin (upper)	2	-	2	2
C-12-20722	13	Washer, pivot pin (upper)	-	2	-	-
C-11-21528	14	Nut, pivot pin to bracket	2	2	2	2
C-10-20784	15B	Screw, bracket to bottom cowl	-	4	-	-
C-10-20653	16B	Screw, bracket to bottom cowl	-	2	-	-
C-11-20361	17B	Nut, bracket fastening screw	-	6	-	-

\* A-26677A5 Dual Fore-Aft Attaching Kit is no longer available and is replaced by A-27973A1 Attaching Kit. Component parts are still stocked so order your replacement parts accordingly.

NOTE: For each dual Fore-Aft Attachment Kit ordered, a single Fore-Aft Attachment Kit must also be ordered and used in conjunction with dual kit.

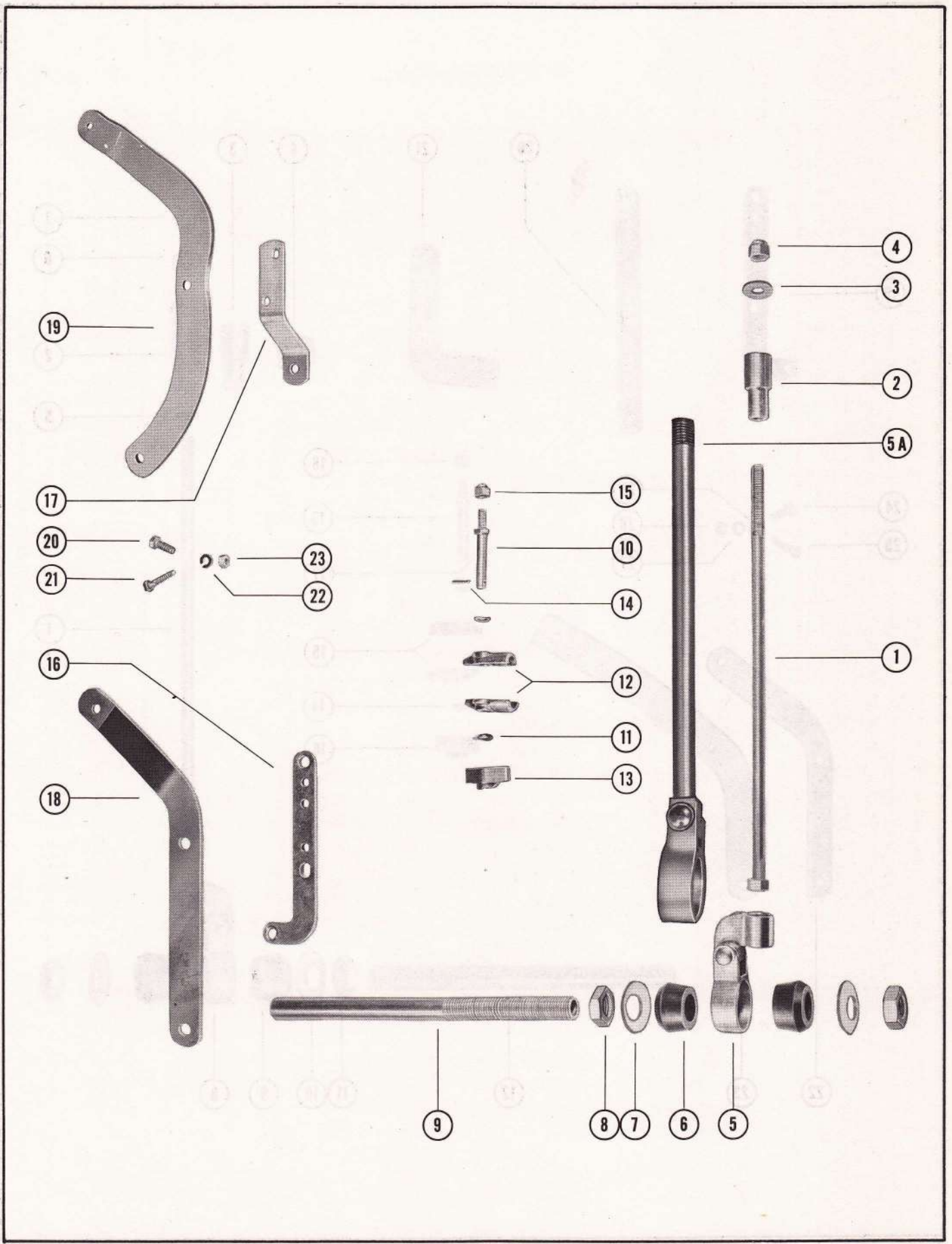
**FORE-AFT RIDE-GUIDE ATTACHING KIT**

PART NO.	REF. NO.	DESCRIPTION	A-27797A5	A-28237A1	A-28516A1	A-28617A1
A-27797A5	-	Fore-Aft Ride-Guide Attachment Kit (stbd)	1	-	-	-
A-28237A1	-	Fore-Aft Ride-Guide Attachment Kit (stbd)	-	1	-	-
A-28516A1	-	Fore-Aft Ride-Guide Attachment Kit (stbd)	-	-	*	-
A-28617A1	-	Fore-Aft Ride-Guide Attachment Kit (stbd)	-	-	-	*
A-28341	1	Rod, pivot	1	1	1	-
A-23-28343	2	Spacer, pivot rod	1	1	1	-
C-12-21040	3	Washer, pivot rod (7/8")	2	2	2	-
C-11-23161	4	Nut, pivot rod fastening	1	1	1	-
C-11-20220	4	Nut, pivot rod fastening	-	-	-	1
A-28190A1	5	Pivot Block Assembly	1	1	1	-
A-27806A1	5A	Pivot Rod Assembly	-	-	-	1
A-23-27856	6	Bushing, rubber - pivot block-rod	2	2	2	2
C-12-27807	7	Washer, cup - cable guide tube	2	2	2	2
C-11-20739	8	Nut, adjusting - cable guide tube	2	2	2	2
A-27805	9	Tube, cable guide	1	1	1	1
A-16-27812	10	Stud, pivot	1	1	1	1
C-13-25906	11	Washer, wave - pivot stud	2	2	2	2
C-25888	12	Coupler, cable end	2	2	2	2
A-25889	13	Coupler Lock, cable end	1	1	1	1
C-17-25905	14	Roll Pin, pivot stud	1	1	1	1
C-11-21528	15	Nut, pivot stud to steering plate	1	1	1	1
A-27797	16	Plate, steering	1	-	-	-
A-28237	17	Plate, steering	-	1	-	-
A-28516	18	Plate, steering	-	-	1	-
A-28617	19	Plate, steering	-	-	-	1
C-10-28239	20	Screw, steering plate to engine	3	-	-	-
C-10-24878	21	Screw, steering plate to engine	1	-	-	-
C-10-28293	21	Screw, steering plate to engine	-	2	-	-
C-10-28464	21	Screw, steering plate to engine	-	-	2	-
C-10-26486	20	Screw, steering plate to engine	-	-	-	2
C-13-26992	22	Lockwasher, plate fastening screw	4	2	-	-
C-13-20758	22	Lockwasher, plate fastening screw	-	-	2	-
C-11-20890	23	Nut, plate fastening screw	-	1	-	-
C-11-28517	23	Nut, plate fastening screw	-	-	2	2

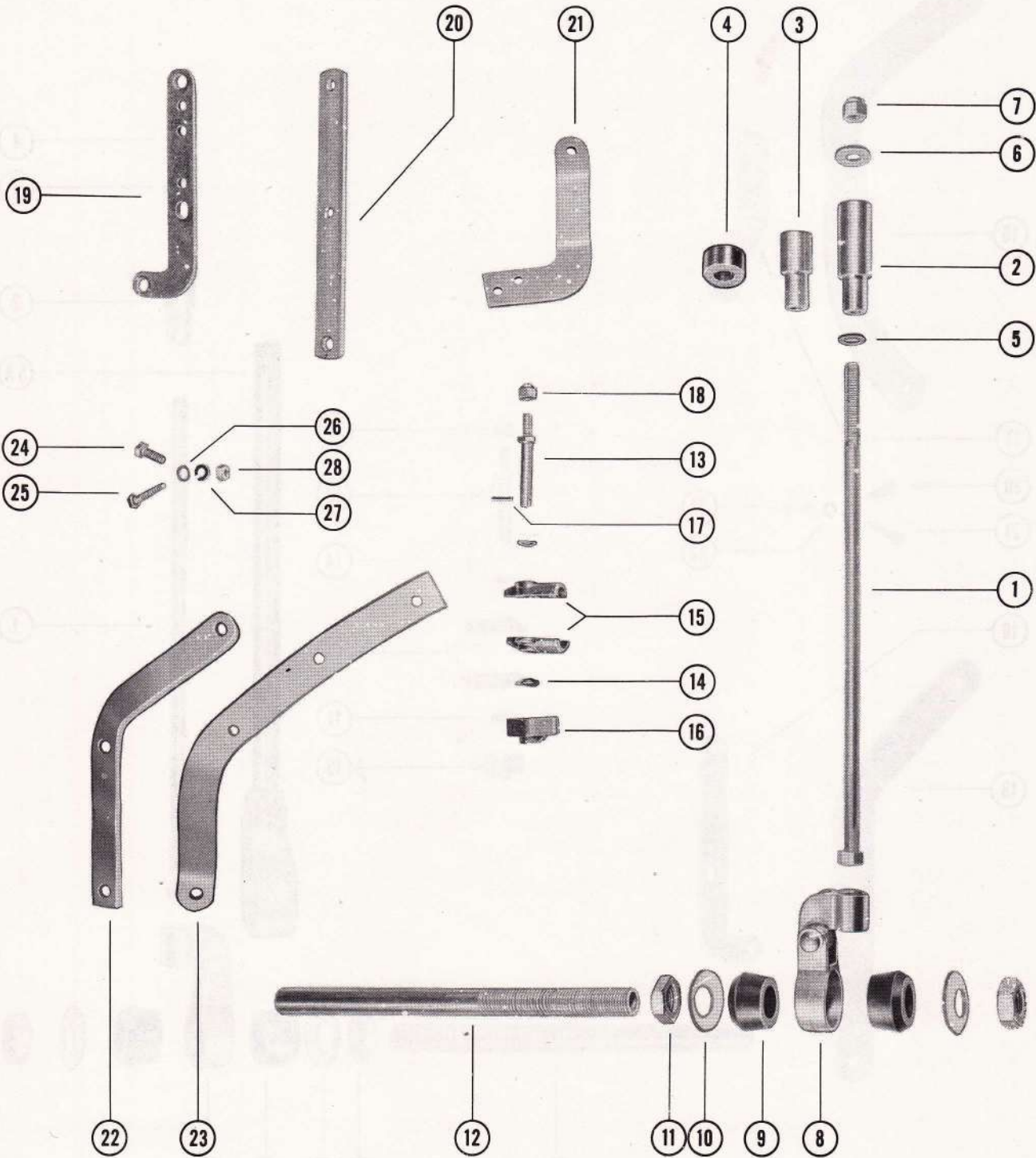
\* A-28516A1 and A-28617A1 Fore-Aft Ride-Guide Attaching Kits are no longer available. For replacement -- order A-30084A1 Universal Ride-Guide Attaching Kit. Component parts are still stocked, so order your replacement parts accordingly.



# FORE-AFT RIDE-GUIDE ATTACHING KIT



# FORE-AFT RIDE-GUIDE ATTACHING KIT



FORE-AFT RIDE-GUIDE ATTACHING KIT

PART NO.	REF. NO.	DESCRIPTION	A-27797A6	A-28238A1	A-28618A1	A-28981A1	A-29042A1
A-27797A6	-	Fore-Aft Ride-Guide Attachment Kit (port)	*	-	-	-	-
A-28238A1	-	Fore-Aft Ride-Guide Attachment Kit (port)	-	1	-	-	-
A-28618A1	-	Fore-Aft Ride-Guide Attachment Kit (stbd)	-	-	1	-	-
A-28981A1	-	Fore-Aft Ride-Guide Attachment Kit (stbd)	-	-	-	*	-
A-29042A1	-	Fore-Aft Ride-Guide Attachment Kit (stbd)	-	-	-	-	1
A-28341	1	Rod, pivot	1	1	-	-	-
A-28694	1	Rod, pivot	-	-	1	1	-
A-29043	1	Rod, pivot	-	-	-	-	1
A-23-28342	2	Spacer, pivot rod	1	-	-	-	-
A-23-28343	3	Spacer, pivot rod	-	1	-	-	-
A-23-28693	3	Spacer, pivot rod	-	-	1	-	-
A-23-28982	3	Spacer, pivot rod	-	-	-	1	1
A-23-28983	4	Spacer, pivot rod	-	-	-	1	-
C-12-20086	5	Washer, pivot rod (5/8")	1	1	-	-	-
C-12-21040	6	Washer, pivot rod (7/8")	1	1	-	-	-
C-12-22248	6	Washer, pivot rod (7/8")	-	-	1	2	2
C-11-23161	7	Nut, pivot rod fastening	1	1	-	-	-
C-11-22178	7	Nut, pivot rod fastening	-	-	1	1	1
A-28190A1	8	Pivot Block Assembly	1	1	1	1	1
A-23-27856	9	Bushing, rubber - pivot block	2	2	2	2	2
C-12-27807	10	Washer, cup - cable guide tube	2	2	2	2	2
C-11-20739	11	Nut, adjusting - cable guide tube	2	2	2	2	2
A-27805	12	Tube, cable guide	1	1	1	1	1
A-16-27812	13	Stud, pivot	1	1	1	1	1
C-13-25906	14	Washer, wave - pivot stud	2	2	2	2	2
C-25888	15	Coupler, cable end	2	2	2	2	2
A-25889	16	Coupler Lock, cable end	1	1	1	1	1
C-17-25905	17	Roll Pin, pivot stud	1	1	1	1	1
C-11-21528	18	Nut, pivot stud to steering plate	1	1	1	1	-
C-11-29250	18	Nut, pivot stud to steering plate	-	-	-	-	1
A-27797	19	Plate, steering	1	-	-	-	-
A-28238	20	Plate, steering	-	1	-	-	-
A-28618	21	Plate, steering	-	-	1	-	-
A-28981	22	Plate, steering	-	-	-	1	-
A-29042	23	Plate, steering	-	-	-	-	1
C-10-24878	24	Screw, steering plate to engine	-	2	2	-	-
C-10-28668	25	Screw, steering plate to engine	2	-	-	-	-
C-10-26066	25	Screw, steering plate to engine	-	-	-	2	2
C-12-29245	26	Washer, plate fastening screw	2	-	-	-	-
C-12-27129	26	Washer, plate fastening screw	-	-	-	2	-
C-12-20722	26	Washer, plate fastening screw	-	-	-	-	2
C-13-26992	27	Lockwasher, plate fastening screw	2	2	-	-	-
C-11-20890	28	Nut, plate fastening screw	-	2	2	-	-
C-11-21528	28	Nut, plate fastening screw	-	-	-	2	-
C-11-29250	28	Nut, plate fastening screw	-	-	-	-	2

\* A-27797A6 and A-28981A1 Fore-Aft Ride-Guide Attaching Kits are no longer available. For replacement -- order A-30084A1 Universal Ride-Guide Attaching Kit. Component parts are still stocked, so order your replacement parts accordingly.

RIDE-GUIDE STEERING WHEEL KIT

PART NO.	REF. NO.	DESCRIPTION	C-29071A1	C-29401A1
C-29071A1	-	Ride-Guide Steering Wheel Kit (20°)	1	-
C-29401A1	-	Ride-Guide Steering Wheel Kit (90°)	-	1
C-29071A6	1	Steering Wheel Assembly	1	1
A-38-29089	2	Insignia (Quicksilver)	1	1
C-38-29088	3	Plate, name (Ride-Guide)	1	1
C-92-30835	-	Tube, adhesive capsule - name plate fastening	1	1
C-10-29223	4	Bolt, steering wheel to gear rack housing	1	-
C-10-29400	4	Bolt, steering wheel to gear rack housing	-	1
A-29086	5	Bracket, steering wheel mounting	1	-
A-29399	5	Bracket, steering wheel mounting	-	1
C-23-29097	6	Bushing, steering wheel bracket	2	2
C-16-29208	7	Stud, steering bracket mounting	1	1
C-12-26825	8	Washer, steering bracket stud	1	1
C-11-20102	9	Nut, steering bracket stud	1	1
C-16-21831	10	Stud, spacer to steering bracket	2	2
C-23-29209	11	Spacer, steering bracket to housing bracket	2	2
C-12-20959	12	Washer, steering bracket spacer	2	2
C-11-21612	13	Nut, steering bracket spacer	2	2
C-29215	14	Bracket, gear rack housing	1	-
C-29398	14A	Bracket, gear rack housing	-	1
C-10-22040	15	Screw, housing bracket to spacer	2	-
C-10-20705	15	Screw, housing bracket to spacer	-	2
C-13-26993	16	Lockwasher, bracket to spacer screw	-	2
C-10-29222	17	Screw, gear rack housing to bracket	1	1
C-23-29210	18	Spacer, housing to bracket screw	1	-
C-23-29397	18	Spacer, housing to bracket screw	-	1
C-12-25909	19	Washer, housing to bracket screw	2	-
C-11-20509	20	Nut, housing to bracket screw	1	1
C-29220	21	Shaft, steering wheel	1	-
C-25890	21	Shaft, steering wheel	-	1
C-12-25897	22	Washer, gear rack pinion	1	1
C-23-25901	23	Bushing, gear rack housing	2	2
C-25887	24	Rack, gear	1	1
C-25884	25	Housing, gear rack	2	2
C-25895A1	26	Tube Assembly, gear rack (cable end)	1	1
C-25896	27	Tube, gear rack (open end)	1	1
C-26059	28	Cap, rubber - gear rack tube (open end)	1	1
C-25898	29	Pinion, gear rack	1	1
C-10-20784	30	Screw, gear rack housing clamping (1/4")	6	6
C-11-20361	31	Nut, gear rack housing clamping screw (1/4")	6	6
C-10-24217	32	Screw, gear rack housing clamping (3/8")	1	1
C-11-20509	33	Nut, gear rack housing clamping screw (3/8")	1	1
C-12-27966	34	Washer, lower - steering wheel to housing bolt	1	1
C-13-27969	35	Lockwasher, steering wheel to housing bolt	1	1
C-11-23161	36	Nut, steering wheel to housing bolt	1	1

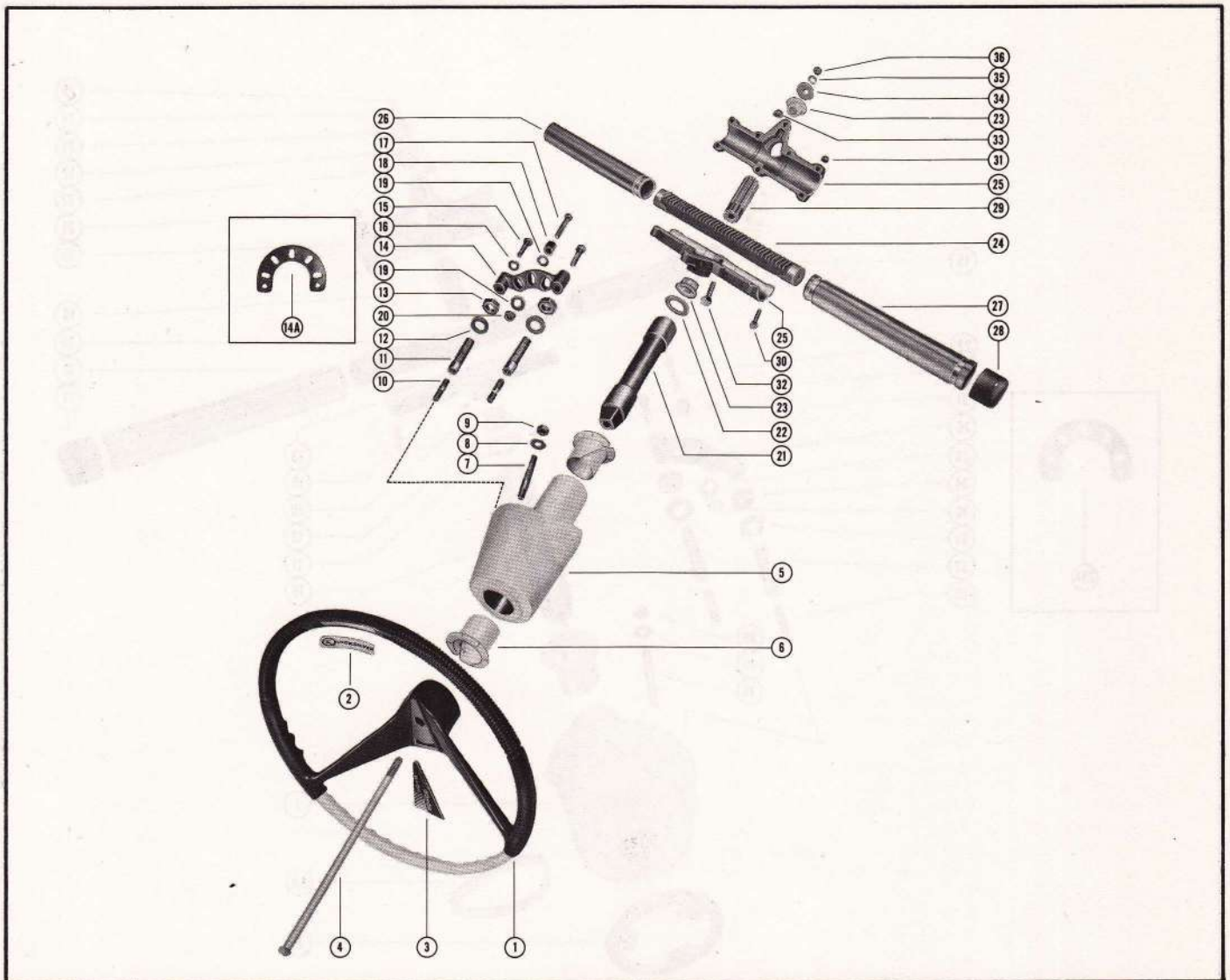
See page 2A when replacement parts are required on old style A-25884A1 or A-25884A4 Steering Wheel Kits.

RIDE-GUIDE STEERING CABLE

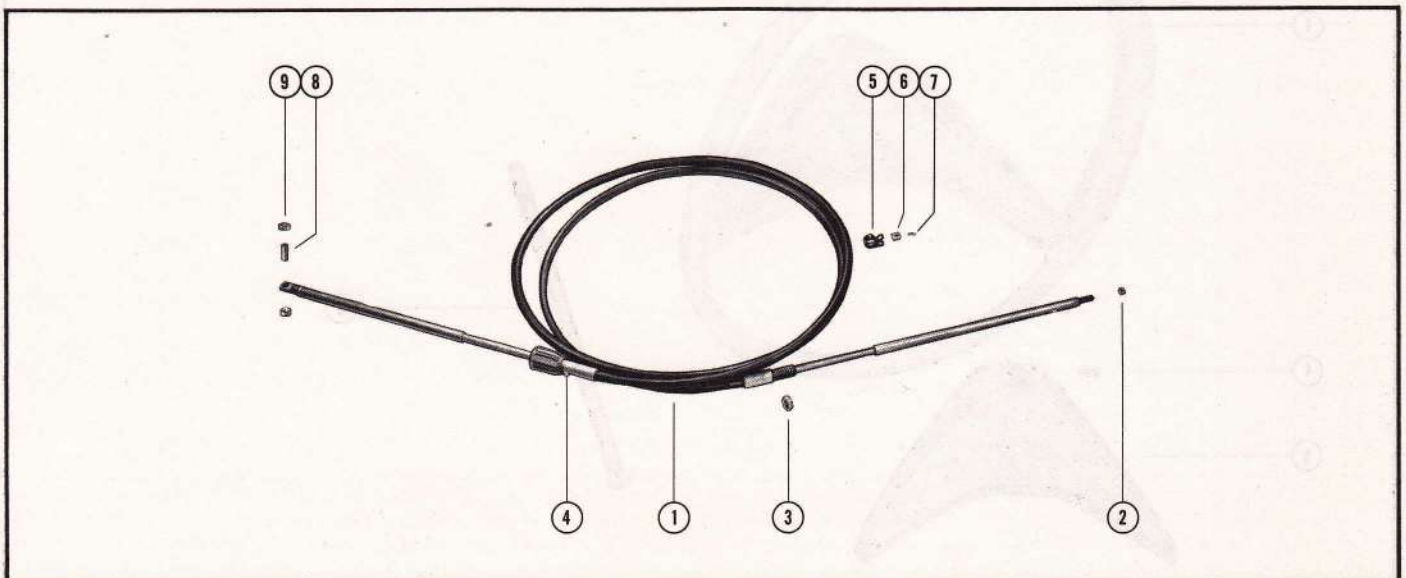
PART NO.	REF. NO.	DESCRIPTION	A-25917A#	C-30509A#	C-34451A#	C-37305A#
A-25917A#	1	Ride-Guide Steering Cable Assembly (3/4" OD)	1	-	-	-
C-30509A#	1	Ride-Guide Steering Cable Assembly (7/8" OD)	-	1	-	-
C-34451A#	1	Ride-Guide Steering Cable Assembly (7/8" OD)	-	-	1	-
C-37305A#	1	Ride-Guide Steering Cable Assembly (7/8" OD)	-	-	-	1
C-11-21825	2	Nut, cable to gear rack	2	2	2	2
C-11-25899	3	Nut, cable to gear rack tube - inside	1	1	1	1
C-22-26000	4	Fitting, grease - steering cable	2	1	1	1
C-54-24871	5	Clip, cable to boat	3	-	-	-
C-54-22627	5	Clip, cable to boat	-	3	3	3
C-22789	6	"D" Washer, cable fastening clip	3	3	3	3
C-10-22793	7	Screw, cable to boat	3	3	3	3
C-23-35035	8	Sleeve, cable end	-	-	1	1
C-23-35016	9	Spacer, cable end	-	-	2	2

# Order in the following cable lengths: A6, A7, A8, A9, A10, A11, A12, A13, A14, A15, A16, A17, A18, A19, and A20. A-30509A and C-34451A Steering Cables are also available in lengths of A21, A22, A23, A24, A25, A26, A27, A28, A29, A30, A32, A34, A36, A38 and A40. Longer cables available upon special order. Specify length required.

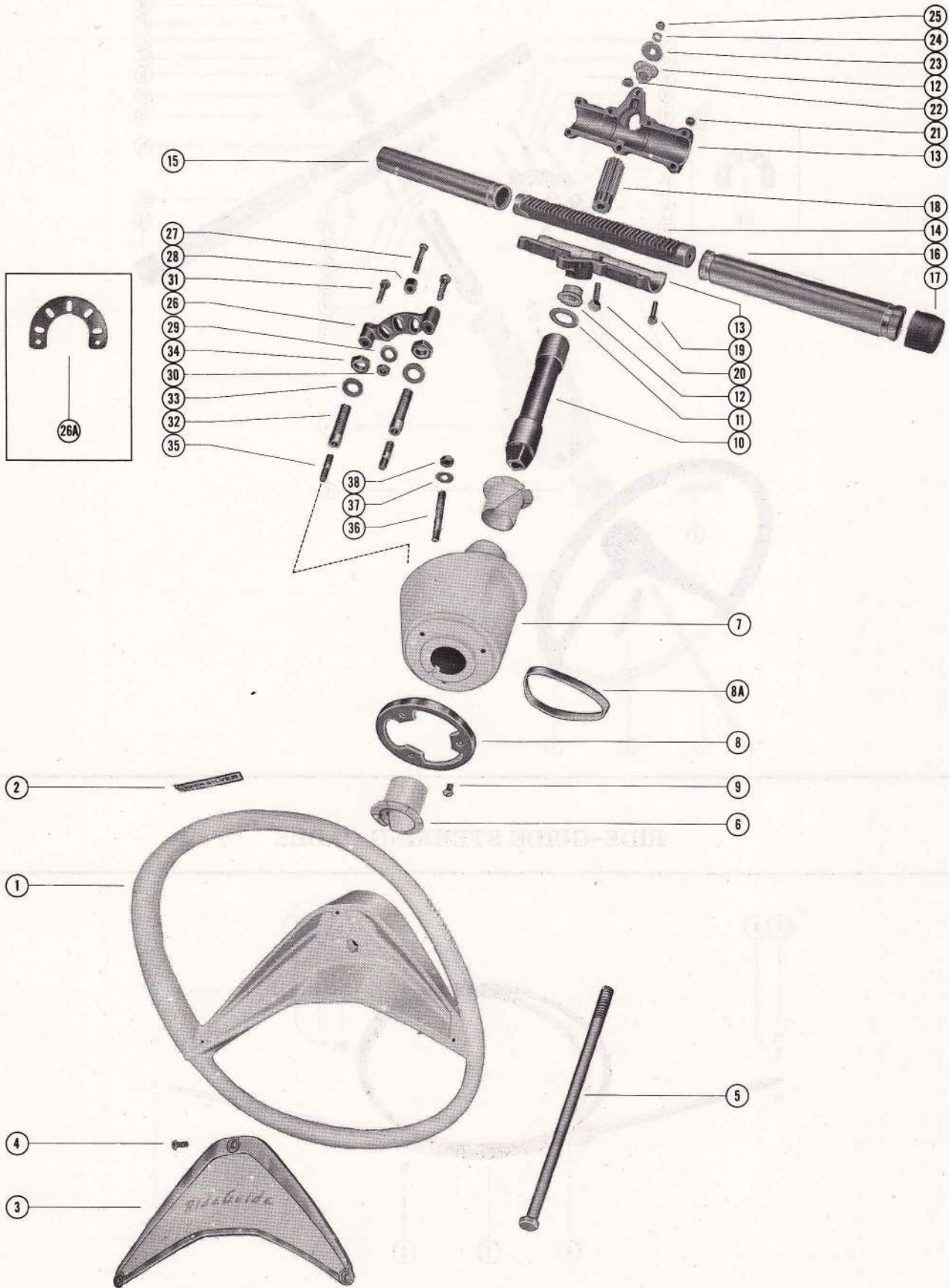
# RIDE-GUIDE STEERING WHEEL KIT



# RIDE-GUIDE STEERING CABLE



# RIDE-GUIDE STEERING WHEEL KIT



RIDE-GUIDE STEERING WHEEL KIT

PART NO.	REF. NO.	DESCRIPTION	C-31269A1	C-31331A1
C-31269A1	-	Ride-Guide Steering Wheel Kit (20°)	1	-
C-31331A1	-	Ride-Guide Steering Wheel Kit (90°)	-	1
C-31268A1	1	Steering Wheel Assembly	1	1
C-38-31444	2	Insignia (Quicksilver)	1	1
A-31344	3	Emblem (Ride-Guide), steering wheel	1	1
C-10-31441	4	Screw, emblem to steering wheel	3	3
C-10-29223	5	Bolt, steering wheel to gear rack housing (10 7/8")	1	-
C-10-29400	5	Bolt, steering wheel to gear rack housing (9 7/8")	-	1
C-23-29097	6	Bushing, steering wheel bracket	2	2
C-31127	7	Bracket, steering wheel mounting (with ring)	1	-
C-31446	7	Bracket, steering wheel mounting (without ring)	1	-
C-31330	7	Bracket, steering wheel mounting (with ring)	-	1
C-31442	7	Bracket, steering wheel mounting (without ring)	-	1
A-31128	8	Ring, mounting bracket (early models only)	1	1
C-10-22022	9	Screw, ring to mounting bracket	3	3
C-37-31443	8A	Decal, overlay trim strip - mounting bracket	1	1
C-29220	10	Shaft, steering wheel	1	-
C-25890	10	Shaft, steering wheel	-	1
C-12-25897	11	Washer, shaft to gear rack housing	1	1
C-23-25901	12	Bushing, gear rack housing - splined	2	2
C-25884	13	Housing, gear rack	2	2
C-25887	14	Rack, gear	1	1
C-25895	15	Tube, gear rack (cable end)	1	1
C-25896	16	Tube, gear rack (open end)	1	1
C-26059	17	Cap, rubber - gear rack tube (open end)	1	1
C-25898	18	Pinion, gear rack	1	1
C-10-20784	19	Screw, gear rack housing clamping (1/4")	6	6
C-10-24217	20	Screw, gear rack housing clamping (3/8")	1	1
C-11-20361	21	Nut, gear rack housing clamping screw (1/4")	6	6
C-11-20509	22	Nut, gear rack housing clamping screw (3/8")	1	1
C-12-27966	23	Washer, lower - steering wheel housing bolt	1	1
C-13-27969	24	Lockwasher, steering wheel housing bolt	1	1
C-11-23161	25	Nut, steering wheel to housing bolt	1	1
C-29215	26	Bracket, gear rack housing (20°)	1	-
C-29398	26A	Bracket, gear rack housing (90°)	-	1
C-10-29222	27	Screw, bracket to gear rack housing	1	1
C-23-29210	28	Spacer, bracket to gear rack housing screw	1	-
C-23-29397	28	Spacer, bracket to gear rack housing screw	-	1
C-12-25909	29	Washer, bracket to gear rack housing screw	1	1
C-11-20509	30	Nut, bracket to gear rack housing screw	1	1
C-10-22040	31	Screw, steering bracket to spacer (1 1/2")	2	-
C-10-20705	31	Screw, steering bracket to spacer (3/4")	-	2
C-23-29209	32	Spacer, steering bracket stud to screw	2	2
C-12-20959	33	Washer, steering bracket spacer	2	2
C-11-21612	34	Nut, steering bracket spacer	2	2
C-16-21831	35	Stud, spacer to steering bracket (1 1/4")	2	2
C-16-29208	36	Stud, steering bracket mounting (2 1/2")	1	1
C-12-26825	37	Washer, steering bracket mounting stud	1	1
C-11-20102	38	Nut, steering bracket mounting stud	1	1

see note below

NOTE: On later production of Ride-Guide Steering Wheels, the A-31128 Ring fastened to mounting bracket is no longer used. Therefore, the C-31127 and C-31330 Brackets are no longer available and are superseded by C-31446 and C-31442 respectively. For Service Replacement of mounting bracket on early models, order C-31446 or C-31442 Bracket which eliminates use of A-31128 Ring. However, the A-31128 Ring is still available for replacement, so order your replacement parts accordingly.

RIDE-GUIDE STEERING WHEEL ASSEMBLY

PART NO.	REF. NO.	DESCRIPTION	C-32401A1	C-32402A1
C-32401A1	1	Ride-Guide Steering Wheel Assembly (Mahogany - 20")	1	-
C-32402A1	1	Ride-Guide Steering Wheel Assembly (Mahogany - 16")	-	1
C-38-32429	2	Button, steering wheel (Ride-Guide)	1	1

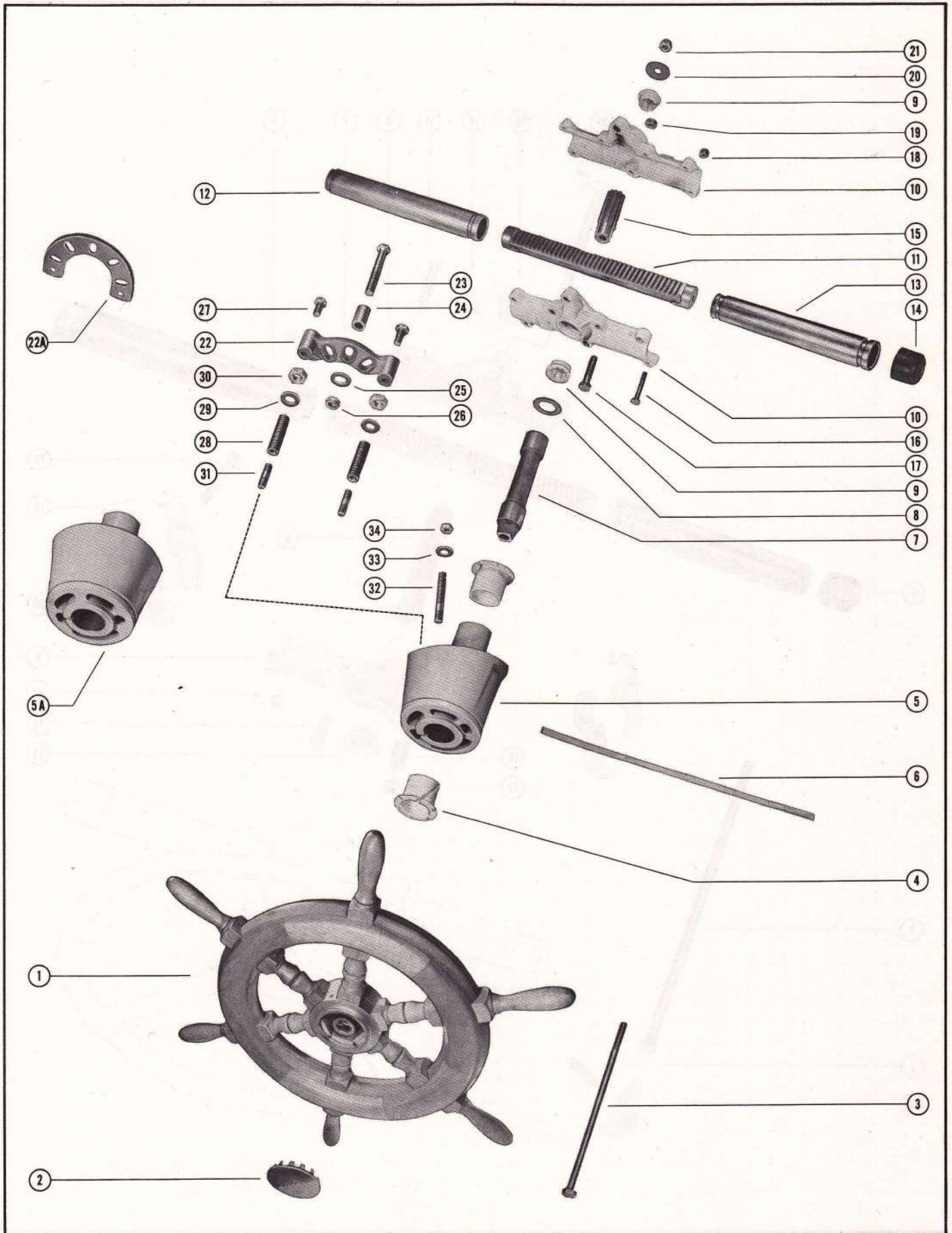
RIDE-GUIDE STEERING KIT

PART NO.	REF. NO.	DESCRIPTION	C-32399A1	C-32399A2	C-32400A1	C-32400A2
C-32399A1	-	Ride-Guide Steering Kit, white (20°)	1	-	-	-
●C-32399A2	-	Ride-Guide Steering Kit, black (20°)	-	1	-	-
C-32400A1	-	Ride-Guide Steering Kit, white (90°)	-	-	1	-
●C-32400A2	-	Ride-Guide Steering Kit, black (90°)	-	-	-	1
C-10-29223	3	Bolt, steering wheel to gear rack housing (10 7/8")	1	1	-	-
C-10-29400	3	Bolt, steering wheel to gear rack housing (9 7/8")	-	-	1	1
C-23-29097	4	Bushing, steering wheel bracket	2	2	2	2
C-31446-1	5	Bracket, steering wheel mounting (20°) - white	1	-	-	-
●C-31446-2	5	Bracket, steering wheel mounting (20°) - black	-	1	-	-
C-31442-1	5A	Bracket, steering wheel mounting (90°) - white	-	-	1	-
●C-31442-2	5A	Bracket, steering wheel mounting (90°) - black	-	-	-	1
C-37-32710	6	Decal, overlay trim strip - mounting bracket	1	1	1	1
C-29220	7	Shaft, steering wheel (20°)	1	1	-	-
C-25890	7	Shaft, steering wheel (90°)	-	-	1	1
C-12-25897	8	Washer, shaft to gear rack housing	1	1	1	1
C-23-25901	9	Bushing, gear rack housing - splined	2	2	2	2
C-25884	10	Housing, gear rack	2	2	2	2
C-25887	11	Rack, gear	1	1	1	1
C-25895A1	12	Tube Assembly, gear rack (cable end)	1	1	1	1
C-25896	13	Tube, gear rack (open end)	1	1	1	1
C-26059	14	Cap, rubber - gear rack tube (open end)	1	1	1	1
C-25898	15	Pinion, gear rack	1	1	1	1
C-10-20784	16	Screw, gear rack housing clamping (1/4-28)	6	6	6	6
C-10-24217	17	Screw, gear rack housing clamping (3/8-24)	1	1	1	1
C-11-46887	18	Nut, gear rack housing clamping screw (1/4-28)	6	6	6	6
●C-11-49197	19	Nut, gear rack housing clamping screw (3/8-24)	1	1	1	1
C-12-27966	20	Washer, lower - steering wheel housing bolt	1	1	1	1
C-11-23161	21	Nut, steering wheel to housing bolt	1	1	1	1
C-29215	22	Bracket, gear rack housing (20°)	1	1	-	-
C-29398	22A	Bracket, gear rack housing (90°)	-	-	1	1
C-10-29222	23	Screw, bracket to gear rack housing	1	1	1	1
C-23-29210	24	Spacer, bracket to gear rack housing screw	1	1	-	-
C-23-29397	24	Spacer, bracket to gear rack housing screw	-	-	1	1
C-12-25909	25	Washer, bracket to gear rack housing screw	1	1	1	1
C-11-20509	26	Nut, bracket to gear rack housing screw	1	1	1	1
C-10-22040	27	Screw, steering bracket to spacer (1 1/2")	2	2	-	-
C-10-20705	27	Screw, steering bracket to spacer (3/4")	-	-	2	2
C-23-29209	28	Spacer, steering bracket stud to screw	2	2	2	2
C-12-20959	29	Washer, steering bracket spacer	2	2	2	2
C-11-21612	30	Nut, steering bracket spacer	2	2	2	2
C-16-21831	31	Stud, spacer to steering bracket (1 1/4")	2	2	2	2
C-16-29208	32	Stud, steering bracket mounting (2 1/2")	1	1	1	1
C-12-26825	33	Washer, steering bracket mounting stud	1	1	1	1
C-11-21528	34	Nut, steering bracket mounting stud	1	1	1	1

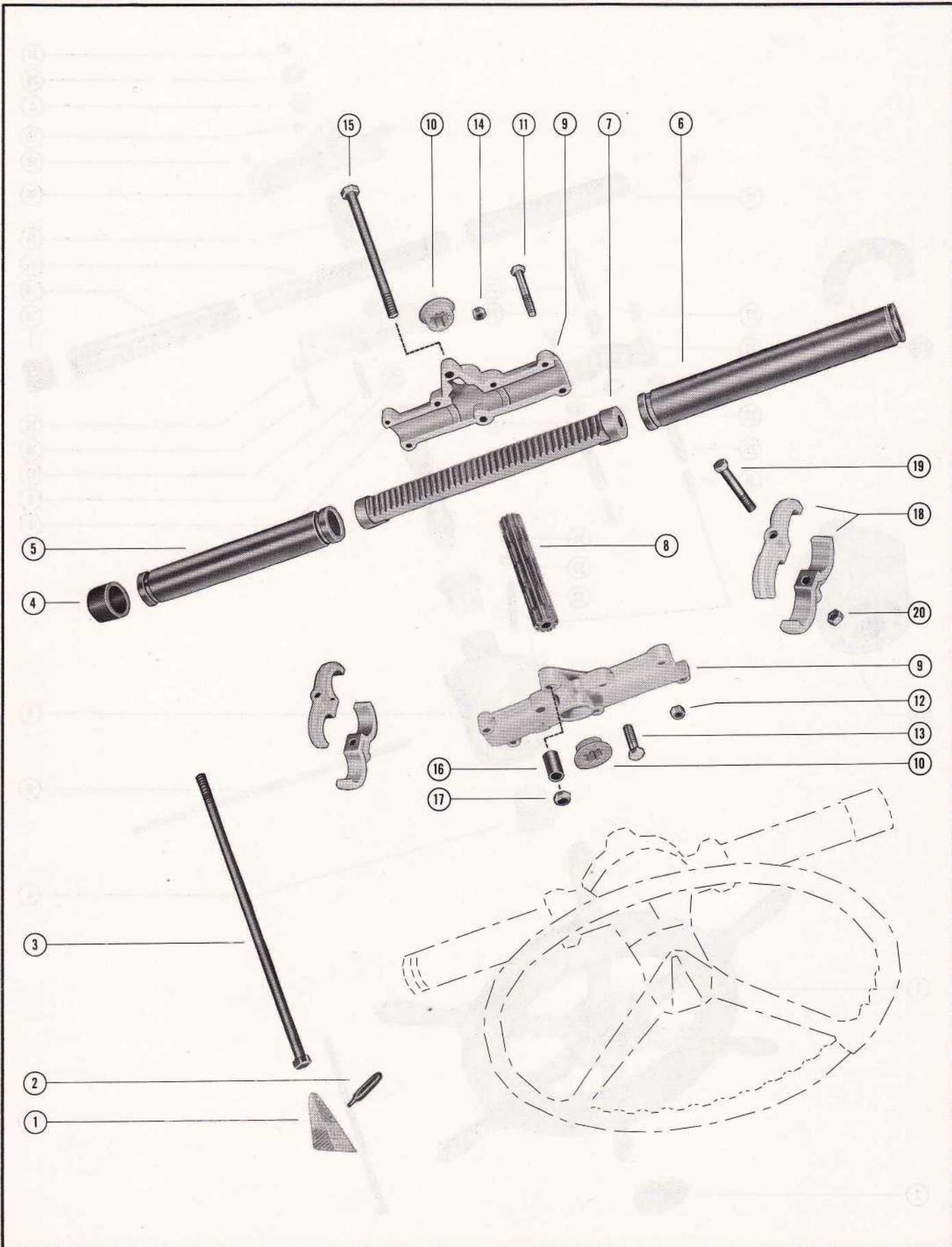
NOTE: C-32401A1 and C-32402A1 Steering Wheel Assemblies can be used with either C-32399A1, C-32399A2, C-32400A1 or C-32400A2 Steering Kits, depending on whether 20° or 90° mounting is desired. Each unit must be ordered separately.



# RIDE-GUIDE STEERING WHEEL ASSEMBLY



# SUPER RIDE-GUIDE STEERING KIT



**SUPER RIDE-GUIDE STEERING KIT**

PART NO.	REF. NO.	DESCRIPTION	C-31217A1	C-31217A2
C-31217A1	-	Super Ride-Guide Steering Kit	1	-
C-31217A2	-	Super Ride-Guide Steering Kit	-	1
C-38-29088	1	Plate, name (Ride-Guide)	1	1
C-92-30835	2	Tube, adhesive capsule - name plate fastening	1	1
C-10-31222	3	Bolt, steering wheel to gear rack housing	1	1
C-10-35569	3	Bolt, steering wheel to gear rack housing	-	1
C-26059	4	Cap, rubber - gear rack tube (open end)	1	1
C-25896	5	Tube, gear rack (open end)	1	1
C-25895	6	Tube, gear rack (cable end)	1	1
C-25887	7	Rack, gear	1	1
C-31221	8	Pinion, gear rack to gear rack	1	1
C-25884	9	Housing, gear rack	2	2
C-23-25901	10	Bushing, nylon - gear rack housing	2	2
C-10-20784	11	Screw, gear rack housing clamping (1/4")	6	6
C-11-20361	12	Nut, gear rack housing clamping screw (1/4")	6	6
C-10-24217	13	Screw, gear rack housing clamping (3/8")	1	1
C-11-20509	14	Nut, gear rack housing clamping screw (3/8")	1	1
C-10-31220	15	Screw, gear rack housing to bracket	1	1
C-23-31219	16	Spacer, gear rack housing to bracket screw	1	1
C-11-20509	17	Nut, gear rack housing to bracket screw fastening	1	1
C-31218	18	Bracket, gear rack tube to gear rack tube	4	4
C-10-22039	19	Screw, gear rack tube bracket clamping	2	2
C-11-20102	20	Nut, gear rack tube bracket clamping screw	2	2

*NOTE: C-31217A1 Super Ride-Guide Steering Kit is to be used in conjunction with the following steering wheel assemblies:*

- |           |                         |  |
|-----------|-------------------------|--|
| C-29071A1 | Steering Wheel Assembly |  |
| C-29401A1 | Steering Wheel Assembly |  |
| C-31269A1 | Steering Wheel Assembly |  |
| C-31331A1 | Steering Wheel Assembly |  |
| C-32401A1 | Steering Wheel Assembly | { Does not include C-32399A1 Steering Kit (20°) and must be ordered separately - see Page 22A. |
| C-32402A1 | Steering Wheel Assembly |  |
| C-32401A1 | Steering Wheel Assembly | { Does not include C-32400A1 Steering Kit (90°) and must be ordered separately - see Page 22A. |
| C-32402A1 | Steering Wheel Assembly |  |

*NOTE: C-31217A2 Super Ride-Guide Steering Kit is to be used in conjunction with the following steering wheel assemblies:*

- |           |                         |  |
|-----------|-------------------------|--|
| C-34659A2 | Steering Wheel Assembly | { Does not include either C-34667A1 Steering Kit (20°) or C-34668A1 Steering Kit (90°) and each must be ordered separately - see Page 45A. |
|-----------|-------------------------|--|

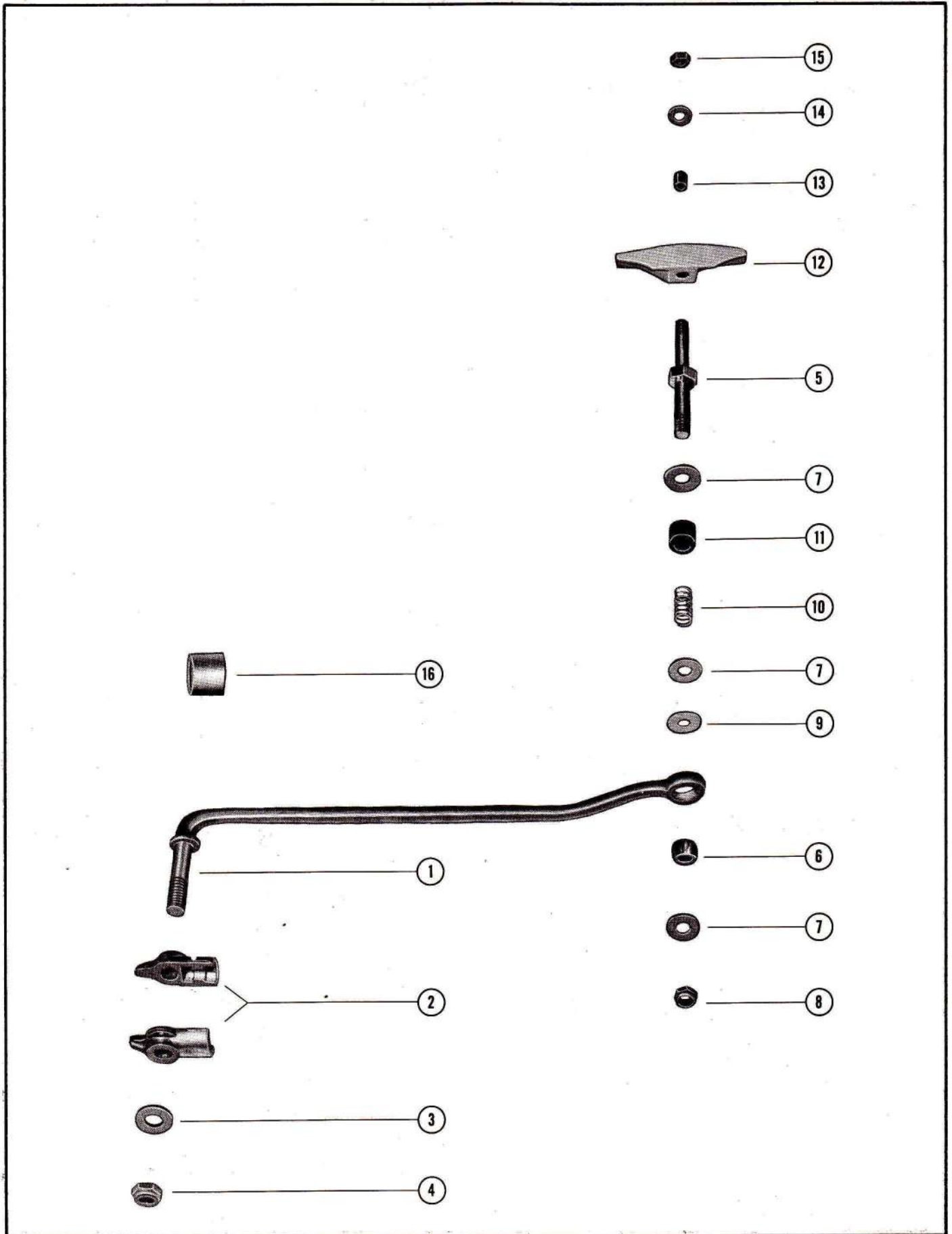
RIDE-GUIDE ATTACHING KIT

PART NO.	REF. NO.	DESCRIPTION	A-29782A1	A-30151A1	A-30151A2	A-30775A1
A-29782A1	-	Ride-Guide Attachment Kit (3/4" OD) - single	1	-	-	-
A-30151A1	-	Ride-Guide Attachment Kit (3/4" OD) - single	-	*1	-	-
●A-30151A2	-	Ride-Guide Attachment Kit (7/8" OD) - single	-	-	1	-
A-30775A1	-	Ride-Guide Attachment Kit (7/8" OD) - single	-	-	-	1
C-29332	1	Rod, steering link	1	1	-	1
A-29332A5	1	Rod, steering link	-	-	1	-
C-27872	2	Coupler, cable end	2	2	-	2
C-12-20086	3	Washer, steering link rod	1	1	1	1
C-11-20509	4	Nut, steering link rod	1	1	-	1
A-17-29697	5	Pin, pivot	1	-	-	-
A-17-30082	5	Pin, pivot	-	-	-	1
C-29698	6	Ball, steel - pivot pin to link rod	1	1	1	1
C-12-25909	7	Washer, pivot pin	3	3	3	3
C-11-20509	8	Nut, pivot pin fastening (lower)	1	1	1	1
C-12-29330	9	Washer, nylon - pivot pin	1	1	1	1
C-24-20510	10	Spring, pivot pin	1	1	1	1
C-23-25915	11	Bushing, rubber - pivot pin	1	1	1	1
A-28390	12	Bracket, link rod to bottom cowl	1	-	-	-
A-30081	12	Bracket, link rod to bottom cowl	-	-	-	1
A-23-30079	13	Sleeve, spacer - pivot pin	1	-	-	-
C-12-20722	14	Washer, pivot pin (upper)	1	-	-	-
C-11-20102	15	Nut, pivot pin fastening (upper)	1	-	-	-
C-11-20696	15	Nut, pivot pin fastening (upper)	-	-	-	1
A-25955	16	Cap, tilt tube - open end (3/4" OD)	1	1	-	-
A-30744	16	Cap, tilt tube - open end (7/8" OD)	-	1	1	1

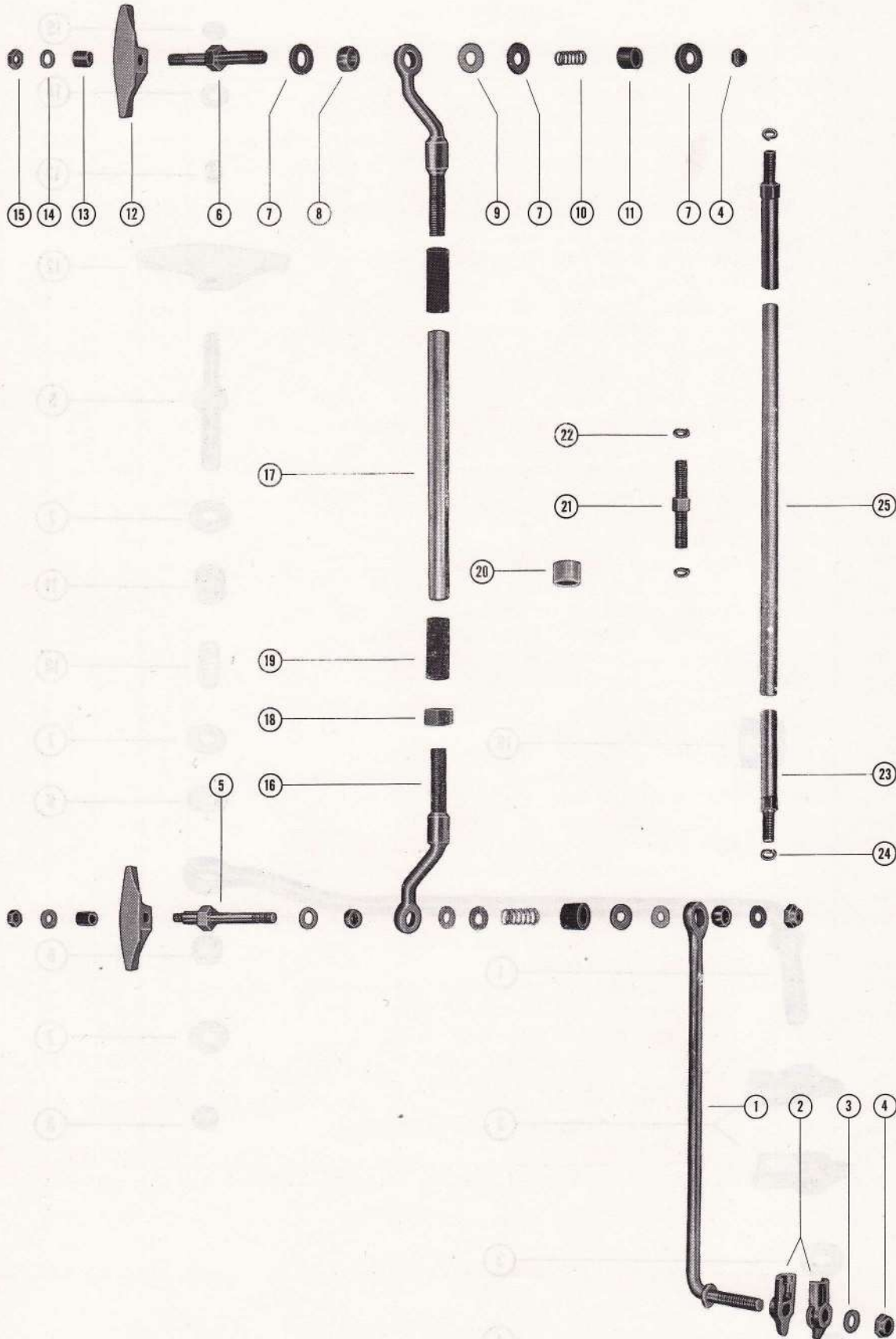
NOTE: The A-23-30079 spacer sleeve is required only on 4 and 6 cylinder engines where width of mounting hole in bottom cowl was enlarged from 5/16" to 29/64" diameter.

\* Also used with 7/8" OD cable.

# RIDE-GUIDE ATTACHING KIT



# RIDE-GUIDE ATTACHING KIT



RIDE-GUIDE ATTACHING KIT

PART NO.	REF. NO.	DESCRIPTION	A-29781A1	A-30372A1	A-38619A1	A-30776A1	A-39128A1	A-38619A2
A-29781A1	-	Ride-Guide Attachment Kit (3/4" OD) - dual	1	-	-	-	-	-
A-30372A1	-	Ride-Guide Attachment Kit (3/4" OD) - dual	-	*1	-	-	-	-
A-38619A1	-	Ride-Guide Attachment Kit (7/8" OD) - dual	-	-	1	-	-	-
C-30776A1	-	Ride-Guide Attachment Kit (7/8" OD) - dual	-	-	-	1	-	-
A-39128A1	-	Ride-Guide Attachment Kit (7/8" OD) - dual	-	-	-	-	1	-
●A-38619A2	-	Ride-Guide Attachment Kit (7/8" OD) - dual	-	-	-	-	-	1
A-30130A1	1	Steering Link Rod Assembly	1	1	-	1	-	-
C-29332A1	1	Steering Link Rod Assembly	-	-	1	-	1	1
C-27872	2	Coupler, cable end	2	2	-	2	-	-
C-12-20086	3	Washer, steering link rod	1	1	-	1	-	-
C-11-20509	4	Nut, coupler adjust and pivot pin or screw (lower)	3	3	3	3	3	3
A-17-29696	5	Pin, pivot - control engine	1	-	-	-	-	-
A-17-30371	5	Pin, pivot - control engine	-	1	-	-	-	-
A-17-30083	5	Pin, pivot - control engine	-	-	-	1	-	-
A-10-49220	5	Screw, pivot control engine (not as shown)	-	-	1	-	1	1
A-17-29697	6	Pin, pivot - secondary engine	1	-	-	-	-	-
A-17-30082	6	Pin, pivot - secondary engine	-	-	-	1	-	-
A-10-49220	6	Screw, pivot - secondary engine (not as shown)	-	-	1	-	1	1
C-12-25909	7	Washer, pivot pin or screw	7	7	4	7	4	4
C-12-20086	7	Washer, pivot screw	-	-	1	-	1	1
C-29698	8	Ball, steel - pivot pin or screw	3	3	3	3	3	3
C-12-29330	9	Washer, nylon - pivot pin or screw	3	3	3	3	3	2
C-24-20510	10	Spring, pivot pin or screw	2	2	2	2	2	2
C-23-25915	11	Bushing, rubber - pivot pin or screw	2	2	2	2	2	2
A-28390	12	Bracket, pivot pin to bottom cowl	2	-	-	-	-	-
A-30081	12	Bracket, pivot pin to bottom cowl	-	-	-	2	-	-
A-23-30079	13	Sleeve, spacer - pivot pin (upper)-see note below	2	-	-	-	-	-
C-23-36534	13	Spacer, screw (upper)	-	-	1	-	1	1
C-12-20722	14	Washer, pivot pin (upper)	2	-	-	-	-	-
C-11-20102	15	Nut, pivot pin (upper)	2	-	-	-	-	-
C-11-20696	15	Nut, pivot pin (upper)	-	-	-	2	-	-
A-29744A1	16	Link, dual control adjusting	2	2	-	2	-	-
A-39129A1	16	Eye Assembly, dual control adjusting - stbd	-	-	-	-	1	-
A-38624A1	16	Eye Assembly, dual control adjusting - stbd	-	-	1	-	-	1
A-39130A1	16	Eye Assembly, dual control adjusting - port	-	-	-	-	1	-
A-38625A1	16	Eye Assembly, dual control adjusting - port	-	-	1	-	-	1
A-27973	17	Coupling, adjusting - dual control	1	1	1	1	1	1
C-11-22496	18	Nut, adjust coupling	1	1	1	1	1	1
A-26675	19	Boot, rubber - adjusting link and coupling	2	2	-	2	-	-
A-25955	20	Cap, plastic - tilt tube (3/4" OD)	1	1	-	-	-	-
A-30744	20	Cap, plastic - tilt tube (7/8" OD)	-	1	-	1	-	-
C-30352A1	21	Coupler Assembly, extension link rod	#AR	#AR	#AR	#AR	#AR	#AR
C-13-30381	22	Lockwasher, coupler assembly	2	2	2	2	2	2
C-30351A1	23	Bar Assembly (4" extension)	#AR	#AR	#AR	#AR	#AR	#AR
C-13-30381	24	Lockwasher, extension bar assembly	1	1	1	1	1	1
C-30353	25	Rod, link (16" extension)	#AR	#AR	#AR	#AR	#AR	#AR

# Additional extension parts are not included with A-30372A1 Attaching Kit and must be ordered as required (AR).

\* Also used with 7/8" OD cable.

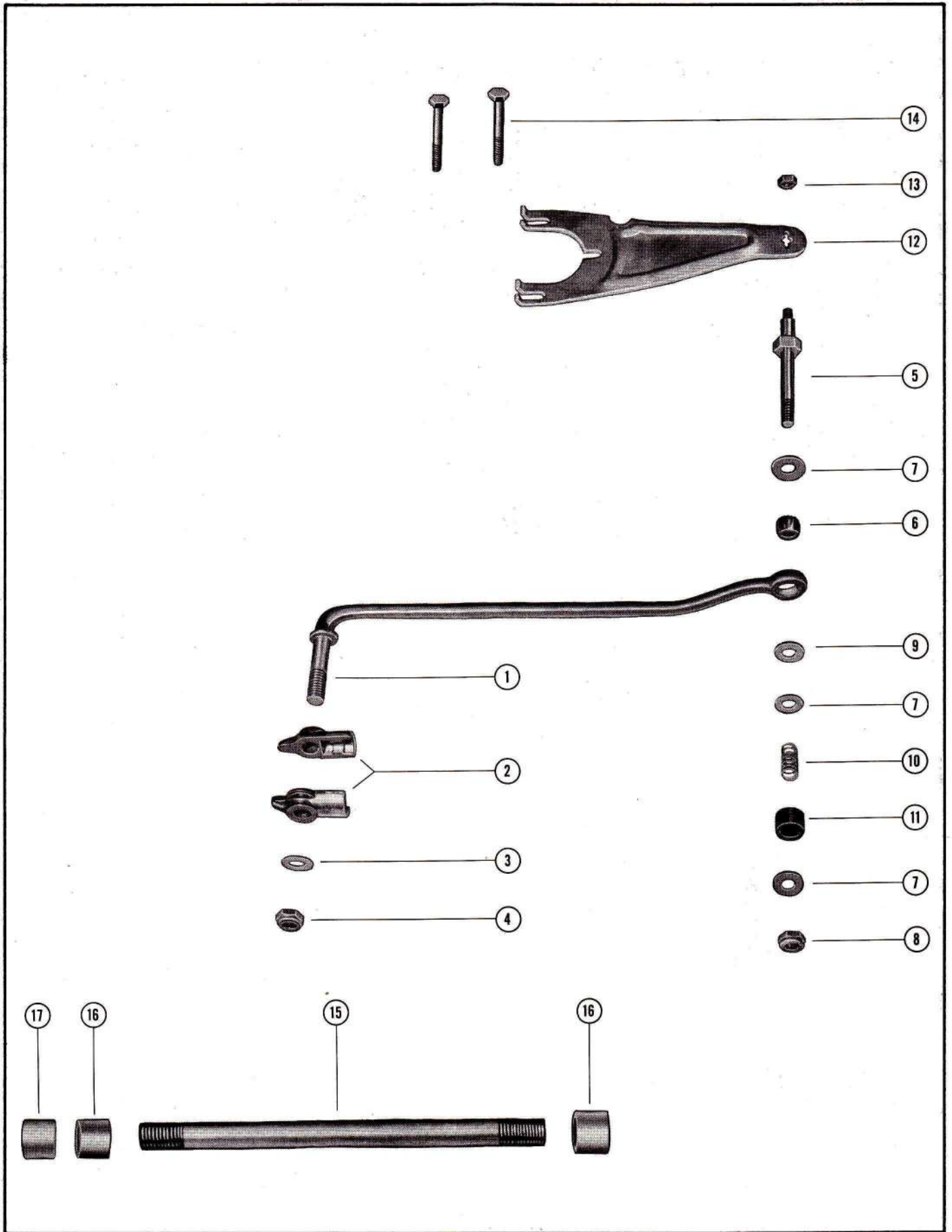
NOTE: The A-23-30079 spacer sleeve is required only on 4 and 6 cylinder engines where width of mounting hole in bottom cowl was enlarged from 5/16" to 29/64" diameter.

RIDE-GUIDE ATTACHING KIT

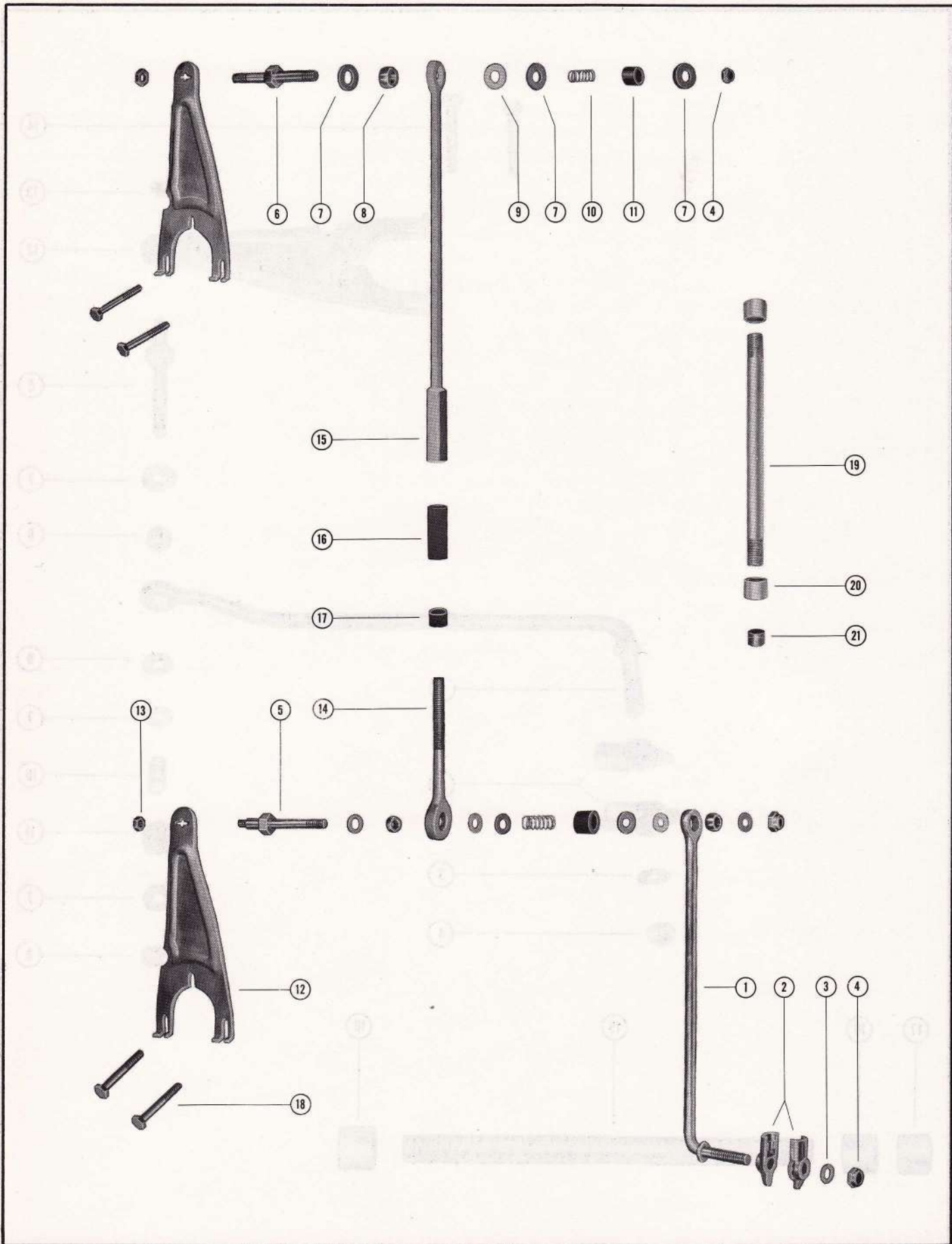
PART NO.	REF. NO.	DESCRIPTION	A-29749A1
A-29749A1	-	Ride-Guide Attachment Kit (3/4" OD) - single	1
A-29748A1	1	Steering Link Rod Assembly	1
C-27872	2	Coupler, cable end	2
C-12-20086	3	Washer, steering link rod	1
C-11-20509	4	Nut, steering link rod	1
A-17-29745	5	Pin, pivot	1
C-29698	6	Ball, steel - pivot pin to link rod	1
C-12-25909	7	Washer, pivot pin	3
C-11-20509	8	Nut, pivot pin fastening (lower)	1
C-12-29330	9	Washer, nylon - pivot pin	1
C-24-20510	10	Spring, pivot pin	1
C-23-25915	11	Bushing, rubber - pivot pin	1
A-28689	12	Bracket, link rod to bottom cowl	1
C-11-20102	13	Nut, pivot pin fastening (upper)	1
C-10-21937	14	Screw, steering bracket to saddle (2")	2
A-28122	15	Tube, tilt - clamp and swivel bracket (3/4" OD)	1
A-23-25904	16	Spacer, tilt tube (3/4" OD)	2
A-25955	17	Cap, tilt tube - open end (3/4" OD)	1



# RIDE-GUIDE ATTACHING KIT



# RIDE-GUIDE ATTACHING KIT



RIDE-GUIDE ATTACHING KIT

PART NO.	REF. NO.	DESCRIPTION	A-29750A1
A-29750A1	-	Ride-Guide Attachment Kit (3/4" OD) - dual	1
A-29748A1	1	Steering Link Rod Assembly	1
C-27872	2	Coupler, cable end	2
C-12-20086	3	Washer, steering link rod	1
C-11-20509	4	Nut, coupler adjust and pivot pin (lower)	3
A-17-29746	5	Pin, pivot - control engine	1
A-17-29745	6	Pin, pivot - secondary engine	1
C-12-25909	7	Washer, pivot pin	7
C-29698	8	Ball, steel - pivot pin	3
C-12-29330	9	Washer, nylon - pivot pin	3
C-24-20510	10	Spring, pivot pin	2
C-23-25915	11	Bushing, rubber - pivot pin	2
A-28689	12	Bracket, pivot pin to bottom cowl	2
C-11-20102	13	Nut, pivot pin (upper)	2
A-29366	14	Link, dual control adjusting	1
A-29747A1	15	Link, dual steering	1
A-26675	16	Boot, rubber - adjusting link and coupling	1
A-32-29265	17	Spacer, dual steering link	1
C-10-21937	18	Screw, steering bracket to saddle (2")	4
A-28122	19	Tube, tilt - clamp and swivel bracket (3/4" OD)	1
A-23-25904	20	Spacer, tilt tube (3/4" OD)	2
A-25955	21	Cap, plastic - tilt tube (3/4" OD)	1

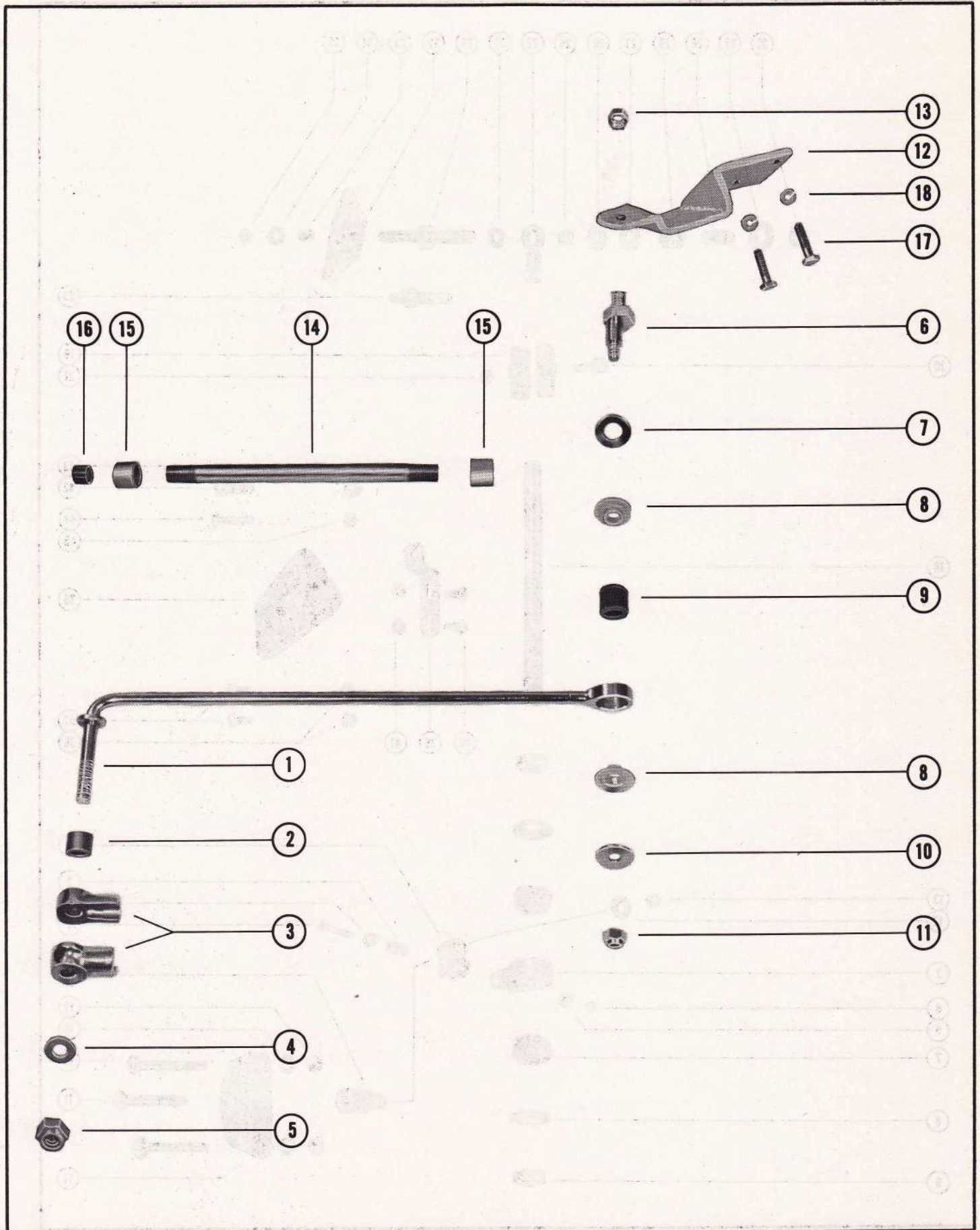
RIDE-GUIDE ATTACHING KIT

PART NO.	REF. NO.	DESCRIPTION	A-30773A2	A-30773A3
A-30773A2	-	Ride-Guide Attachment Kit (7/8" OD) - single	1	-
●A-30773A3	-	Ride-Guide Attachment Kit (7/8" OD) - single	-	1
A-25902A5	1	Steering Link Rod Assembly	1	-
●A-25902A11	1	Steering Link Rod Assembly	-	1
C-23-35035	2	Sleeve, steering link rod	-	1
C-25888	3	Coupler, cable end	2	-
C-12-20084	4	Washer, steering link rod	1	1
C-11-20102	5	Nut, steering link rod	1	1
A-17-28692	6	Pin, eccentric pivot	1	1
C-12-25909	7	Washer, pivot pin	1	1
A-23-25907	8	Bushing, nylon - link rod	2	2
C-23-25915	9	Bushing, rubber - link rod	1	1
C-12-25908	10	Washer, pivot pin (lower)	1	1
C-11-20361	11	Nut, pivot pin fastening (lower)	1	1
A-34749	12	Bracket, steering arm	1	1
C-11-20102	13	Nut, pivot pin fastening (upper)	1	1
C-30664	14	Tube, tilt - clamp and swivel bracket (7/8" OD)	1	1
A-23-30981	15	Spacer, tilt tube	2	2
A-30744	16	Cap, tilt tube (open end)	1	1
C-10-20540	17	Screw, bracket to steering arm (5/8")	2	-
C-10-28635	17	Screw, bracket to steering arm (5/8")	-	2
C-13-26992	18	Lockwasher, bracket to steering arm screw	2	2

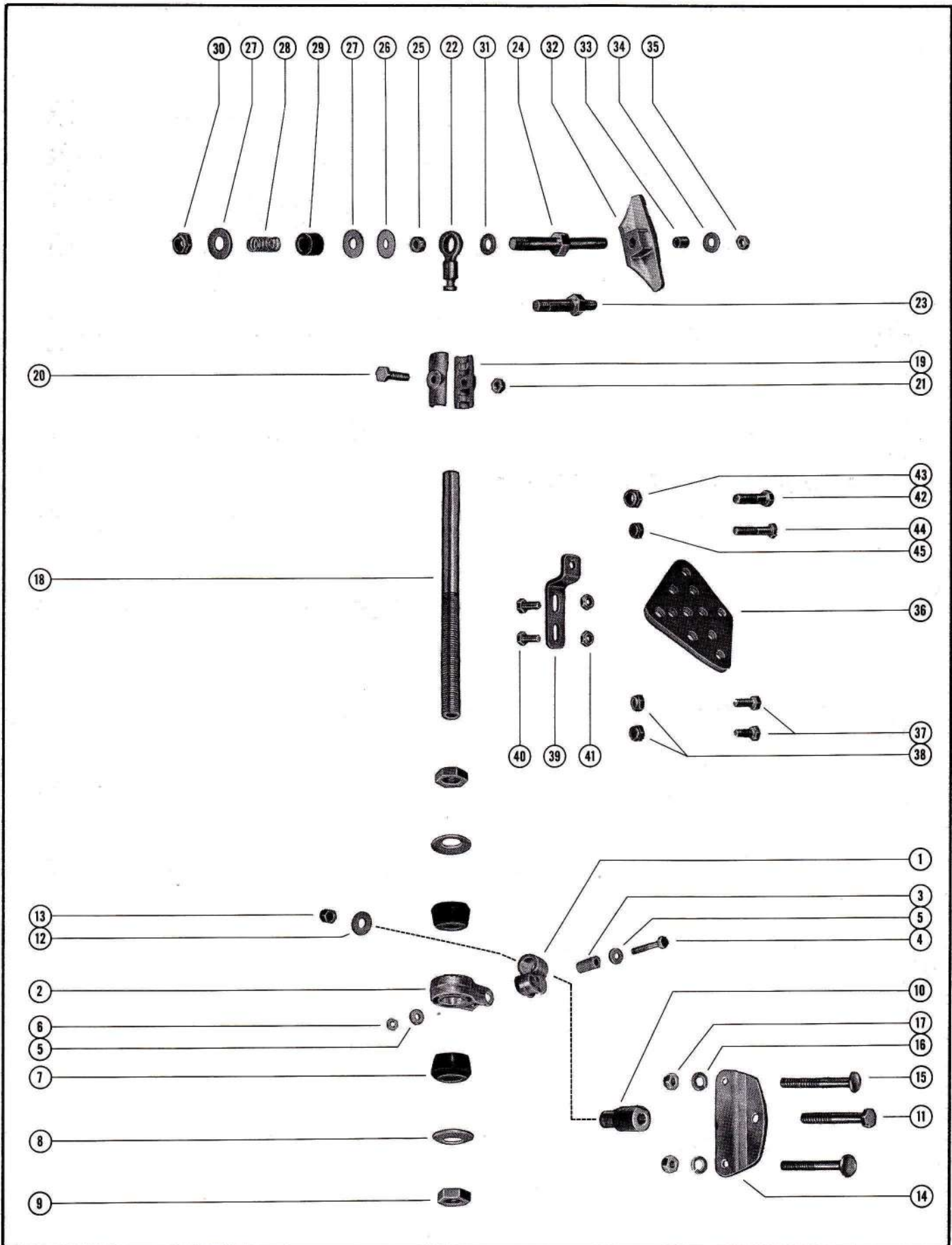
RIDE-GUIDE ATTACHING KIT

PART NO.	REF. NO.	DESCRIPTION	A-33968A4
A-33968A4	-	Ride-Guide Attachment Kit (7/8" OD) - single	1
A-33968A3	1	Steering Link Rod Assembly <i>(not as shown)</i>	1
C-27872	3	Coupler, cable end	2
C-12-20086	4	Washer, steering link rod	1
C-11-20509	5	Nut, steering link rod	1
A-17-33972	6	Pin, pivot	1
C-12-25909	7	Washer, pivot pin	1
A-23-25907	8	Bushing, nylon - link rod	2
C-23-25915	9	Bushing, rubber - link rod	1
C-12-25908	10	Washer, pivot pin (lower)	1
C-11-30506	11	Nut, pivot pin fastening (lower)	1
C-11-20102	13	Nut, pivot pin fastening (upper)	1
A-30744	16	Cap, tilt tube (open end)	1

UNIVERSAL RIDE-GUIDE ATTACHING KIT



# UNIVERSAL RIDE-GUIDE SINGLE ATTACHING KIT



UNIVERSAL RIDE-GUIDE SINGLE ATTACHING KIT

PART NO.	REF. NO.	DESCRIPTION	A-30084A1	A-30728A1	A-30728A2
A-30084A1	-	Universal Ride-Guide Attachment Kit (3/4" OD) - single	1	-	-
C-30728A1	-	Universal Ride-Guide Attachment Kit (7/8" OD) - single	-	1	-
C-30728A2	-	Universal Ride-Guide Attachment Kit (7/8" OD) - single	-	-	1
A-28190A1	-	Pivot Block Assembly (3/4" OD)	1	-	-
A-28190A5	-	Pivot Block Assembly (7/8" OD)	-	1	1
A-28190	1	Block, pivot	1	1	1
A-27811	2	Yoke, pivot block (3/4" OD)	1	-	-
A-30700	2	Yoke, pivot block (7/8" OD)	-	1	1
A-23-27810	3	Bushing, pivot block yoke	1	1	1
C-10-20784	4	Screw, pivot block to yoke	1	1	1
C-12-24664	5	Washer, pivot block to yoke screw	2	2	2
C-11-20586	6	Nut, pivot block to yoke screw	1	1	1
A-23-27856	7	Bushing, rubber - pivot block yoke	2	-	-
C-12-27807	8	Washer, cupped - cable guide tube	2	-	-
C-11-20739	9	Nut, cable guide tube adjusting	2	-	-
C-11-30708	9	Nut, cable guide tube adjusting	-	2	-
C-11-37984	9	Nut, cable guide tube adjusting	-	-	2
C-23-28343	10	Spacer, pivot - transom bracket to pivot block	1	1	1
C-10-29096	11	Screw, transom bracket to pivot block	1	1	1
C-12-21040	12	Washer, pivot block screw	1	1	1
C-11-20509	13	Nut, pivot block fastening screw	1	1	1
A-30085	14	Bracket, pivot block to boat transom	1	1	1
C-10-26483	15	Screw, bracket to boat transom	2	2	2
C-13-26993	16	Lockwasher, bracket to boat transom screw	2	2	2
C-11-21908	17	Nut, bracket to boat transom screw	2	2	2
A-27805	18	Tube, cable guide (3/4" OD)	1	-	-
C-30706	18	Tube, cable guide (7/8" OD)	-	1	-
C-32-35015	18	Tube, cable guide (7/8" OD)	-	-	1
A-30108	19	Coupler, halves - cable end to socket end	2	2	-
A-35854	19	Coupler, halves - cable end to socket end (not as shown)	-	-	2
C-10-20639	20	Screw, coupler halves clamping	1	1	-
C-10-35855	20	Screw, coupler halves clamping	-	-	2
C-11-20102	21	Nut, coupler halves clamping screw	1	1	-
C-11-20509	21	Nut, coupler halves clamping screw	-	-	2
A-30105	22	End, ball socket	1	1	-
A-35856	22	End, ball socket	-	-	1
A-17-30093	23	Pin, pivot - ball socket end (short)	1	1	1
A-17-29697	24	Pin, pivot - ball socket end (long)	1	1	1
C-29698	25	Ball, steel - ball socket end	1	1	1
C-12-29330	26	Washer, nylon - pivot pin	1	1	1
C-12-25909	27	Washer, pivot pin (lower)	2	2	2
C-24-20510	28	Spring, pivot pin	1	1	1
C-23-25915	29	Sleeve, rubber - pivot pin	1	1	1
C-11-20509	30	Nut, pivot pin fastening (lower)	1	1	1
C-12-20086	31	Washer, pivot pin (upper)	1	1	1
A-28390	32	Bracket, pivot pin to bottom cowl (Mercury Models)	1	1	1
A-23-30079	33	Sleeve, pivot pin (upper)	1	1	1
C-12-20722	34	Washer, pivot pin (upper)	1	1	1
C-11-20102	35	Nut, pivot pin fastening (upper)	1	1	1
A-30086	36	Plate, pivot pin to engine (Competitive Models)	1	1	1
C-10-20705	37	Screw, plate to competitive steering bracket	2	2	2
C-11-20102	38	Nut, plate screw fastening	2	2	2
A-30251	39	Bracket, extension - engine plate	1	1	1
C-10-20705	40	Screw, extension bracket to pivot pin plate	2	2	2
C-11-20102	41	Nut, extension bracket fastening screw	2	2	2
C-10-24217	42	Screw, steering bracket to engine (3/8")	1	1	1
C-11-20509	43	Nut, steering bracket fastening screw (3/8")	1	1	1
C-10-21962	44	Screw, steering bracket to engine (5/16")	1	1	1
C-11-20102	45	Nut, steering bracket fastening screw (5/16")	1	1	1

UNIVERSAL RIDE-GUIDE DUAL ATTACHING KIT

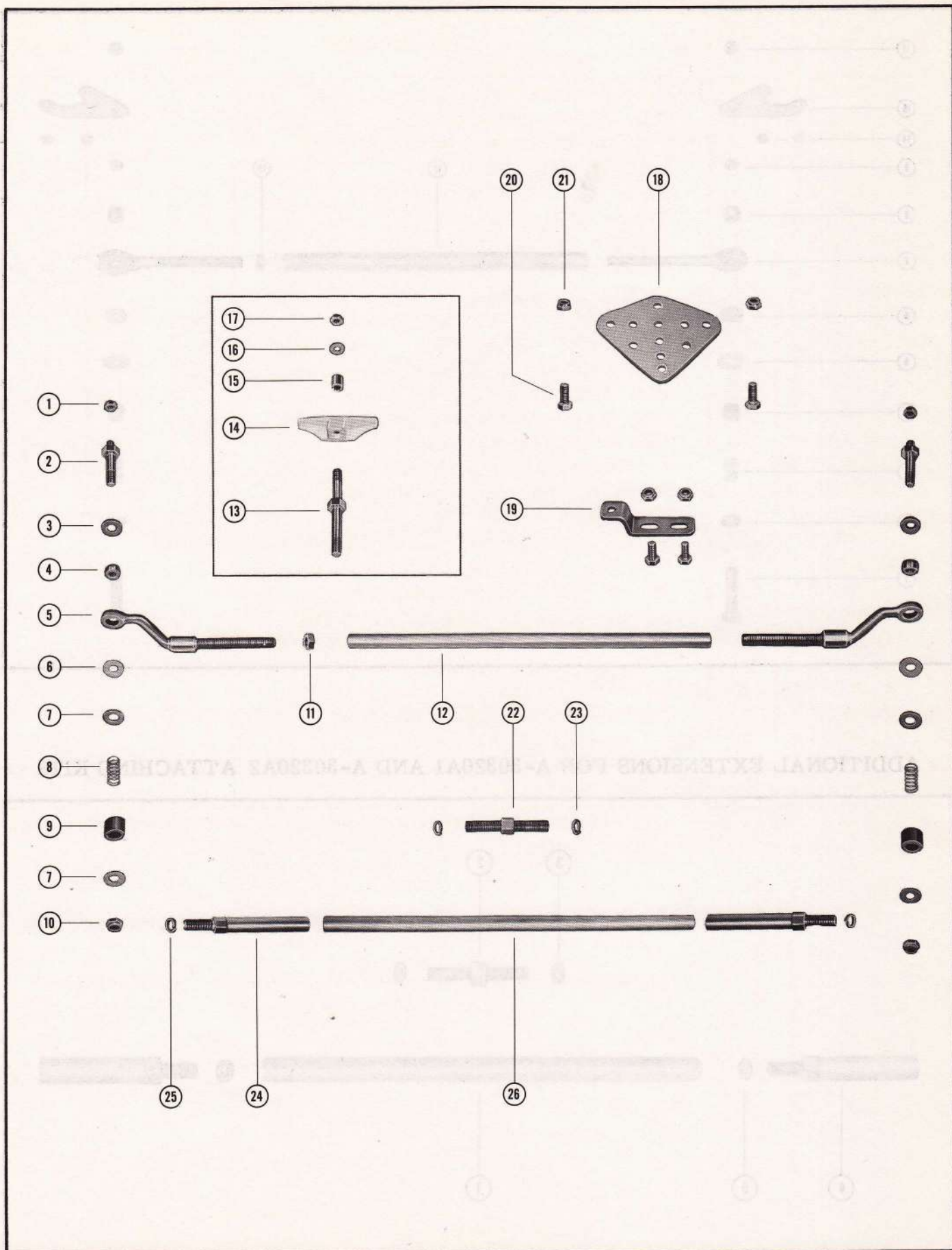
PART NO.	REF. NO.	DESCRIPTION	QUAN.
C-30354A1	-	Universal Ride-Guide Attachment Kit (dual)	1
C-11-20102	1	Nut, upper - pivot pin	2
A-17-30093	2	Pin, pivot - adjusting link (short)	2
C-12-20086	3	Washer, pivot pin	2
C-29698	4	Ball, steel - adjusting link	2
A-29744A1	4	Adjusting Link Assembly	2
C-12-29330	6	Washer, nylon - pivot pin	2
C-12-25909	7	Washer, lower - pivot pin	4
C-24-20510	8	Spring, pivot pin	2
C-23-25915	9	Sleeve, rubber - pivot pin	2
C-11-20509	10	Nut, lower - pivot pin	2
C-11-22496	11	Nut, locking - adjusting link	1
A-30353	12	Rod, link (16") - engine extension	1
A-17-29697	13	Pin, pivot - adjusting link	1
A-28390	14	Bracket, pivot pin to cowl	1
A-23-30079	15	Sleeve, spacer - pivot pin	1
C-12-20722	16	Washer, upper - pivot pin	1
C-11-20102	17	Nut, upper - pivot pin	1
A-30086	18	Plate, pivot pin to engine (Competitive Models)	1
A-30251	19	Bracket, extension - engine plate	2
C-10-20705	20	Screw, plate and bracket fastening (3/4")	5
C-10-26065	20	Screw, plate and bracket fastening (1")	1
C-10-21962	20	Screw, plate and bracket fastening (1 1/2")	1
C-11-20102	21	Nut, plate and bracket fastening screw	5
A-30352A1	22	Coupler Assembly, extension link rod	#AR
C-13-30381	23	Lockwasher, coupler assembly	2
A-30351A1	24	Bar Assembly (4" extension)	#AR
C-13-30381	25	Lockwasher, extension bar assembly	1
A-30353	26	Rod, link (16" extension)	#AR

*use with Mercury Models*

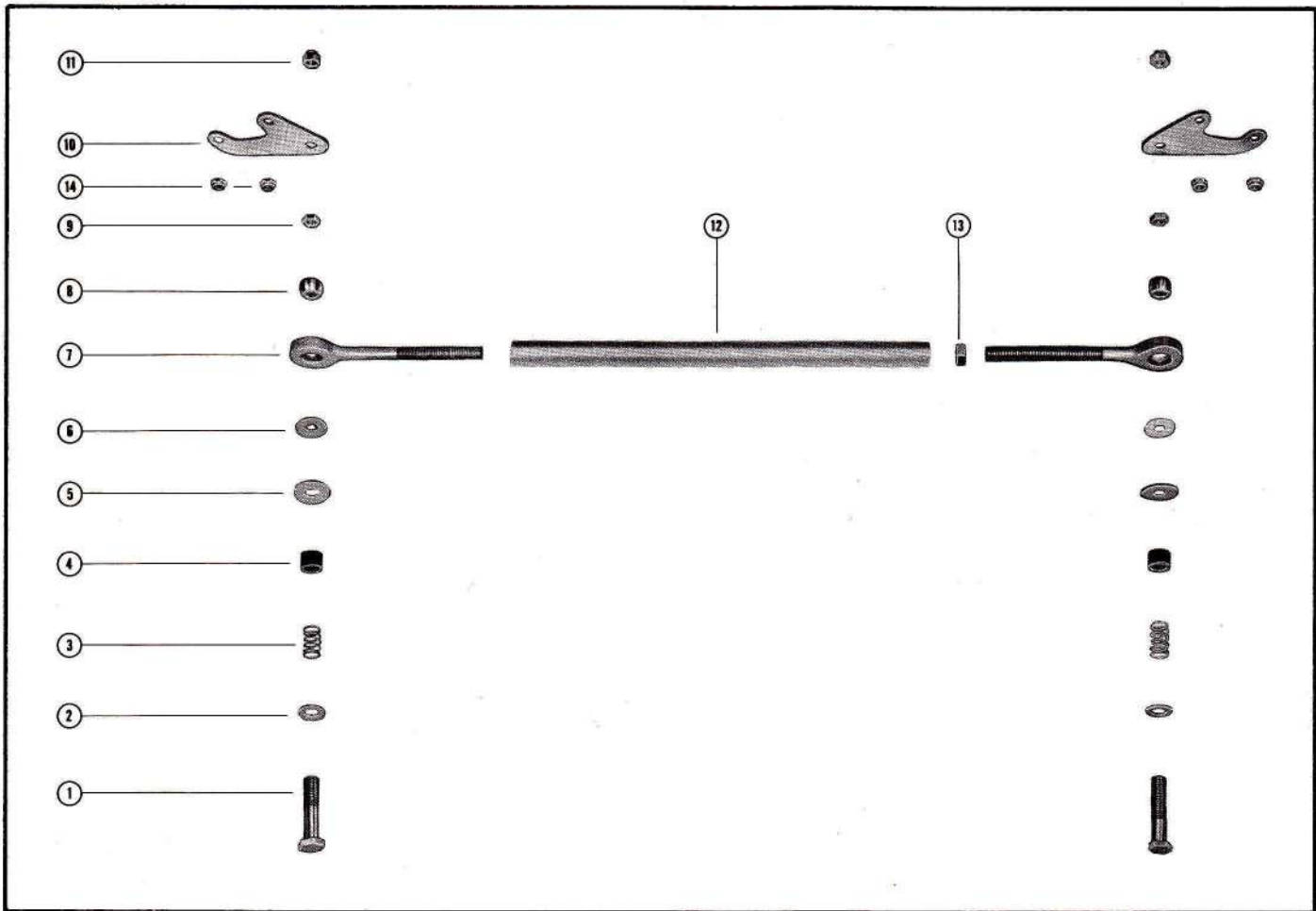
# Additional extension parts are not included with A-30354A1 Attaching Kit and must be ordered as required (AR).



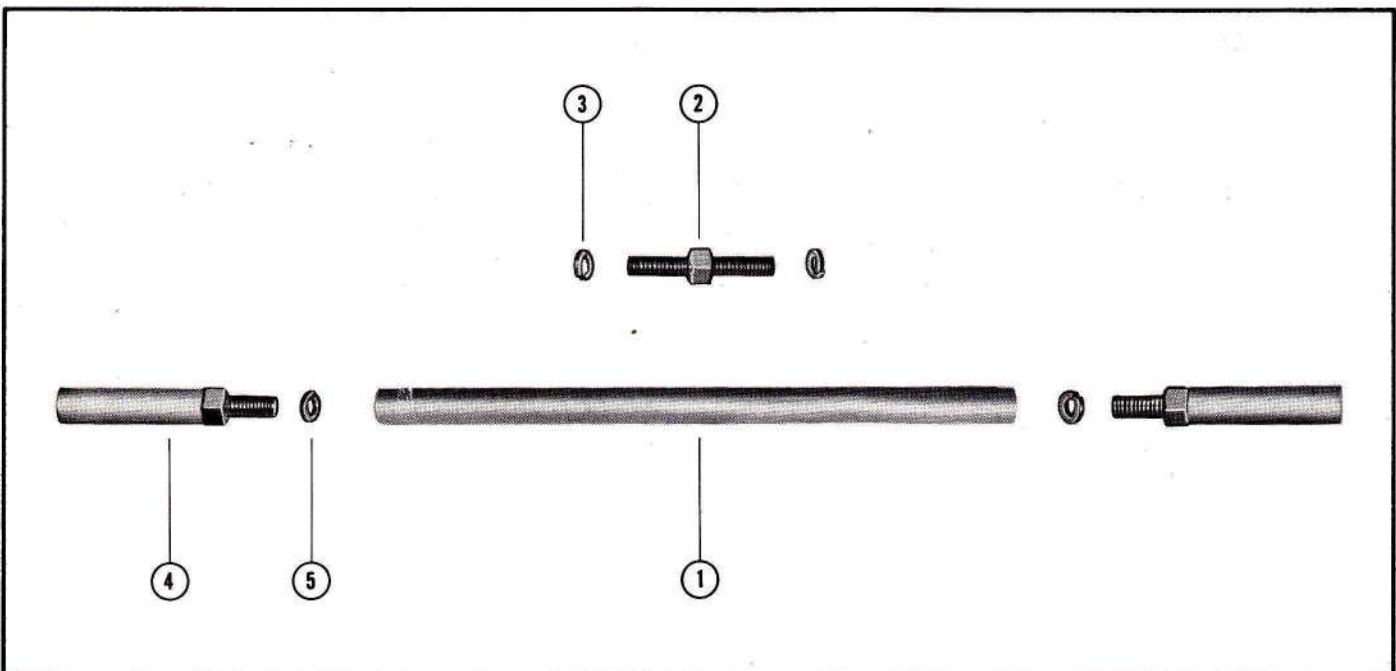
# UNIVERSAL RIDE-GUIDE DUAL ATTACHING KIT



# RIDE-GUIDE ATTACHING KIT



## ADDITIONAL EXTENSIONS FOR A-30320A1 AND A-30320A2 ATTACHING KITS



RIDE-GUIDE ATTACHING KIT

PART NO.	REF. NO.	DESCRIPTION	A-30320A1	A-30320A2
A-30320A1	-	Ride-Guide Attachment Kit (dual - rear installation)	1	-
●C-30320A2	-	Ride-Guide Attachment Kit (dual - rear installation)	-	1
C-10-30317	1	Bolt, pivot - link rod to steering plate	2	2
C-12-22248	2	Washer, pivot bolt	2	2
A-24-30316	3	Spring, tension - pivot bolt	2	2
A-23-30319	4	Sleeve, rubber - pivot bolt	2	2
C-12-30315	5	Washer, pivot bolt	2	2
C-12-30314	6	Washer, nylon - pivot bolt	2	2
A-30309	7	Rod, steering link	2	2
A-30312	8	Ball, steel - pivot bolt	2	2
C-11-22496	9	Nut, pivot bolt - ball and spring tension	2	2
A-30313	10	Plate, steering - pivot bolt	2	-
●A-37386	10	Plate, steering - pivot bolt ( <i>not as shown</i> )	-	2
C-11-22178	11	Nut, pivot bolt to plate (upper)	2	2
A-30310	12	Rod, link (16") - engine extension	1	1
C-11-21612	13	Nut, extension link rod locking (starboard engine)	2	2
C-11-20509	14	*Nut, steering plate to powerhead studs	4	4

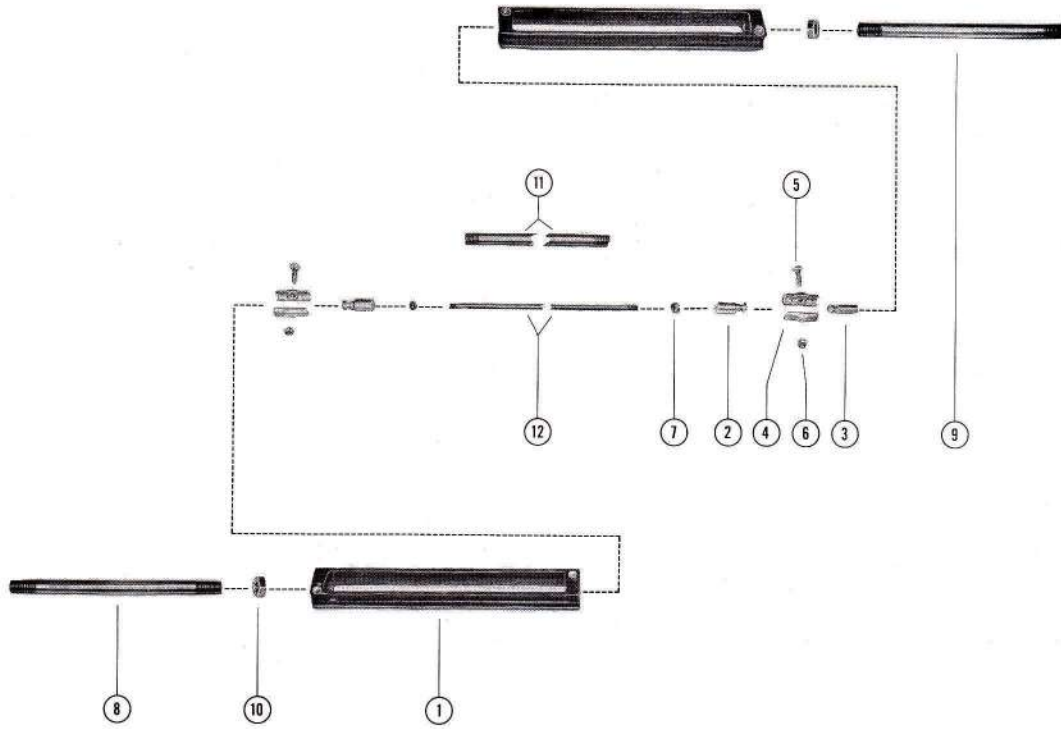
\* Thinner nut for replacement of thicker nut originally used on production engines.

#ADDITIONAL EXTENSIONS FOR A-30320A1 AND C-30320A2 ATTACHING KITS

PART NO.	REF. NO.	DESCRIPTION	QUAN.
A-30310	1	Rod, link (16" extension)	AR
A-30318A1	2	Coupler Assembly, extension link rod	AR
C-13-22021	3	Lockwasher, coupler assembly	2
A-30311A1	4	Bar Assembly (4" extension)	AR
C-13-22021	5	Lockwasher, extension bar assembly	1

# The additional extension parts are not included with A-30320A1 or C-30320A2 Attaching Kits and must be ordered as required.

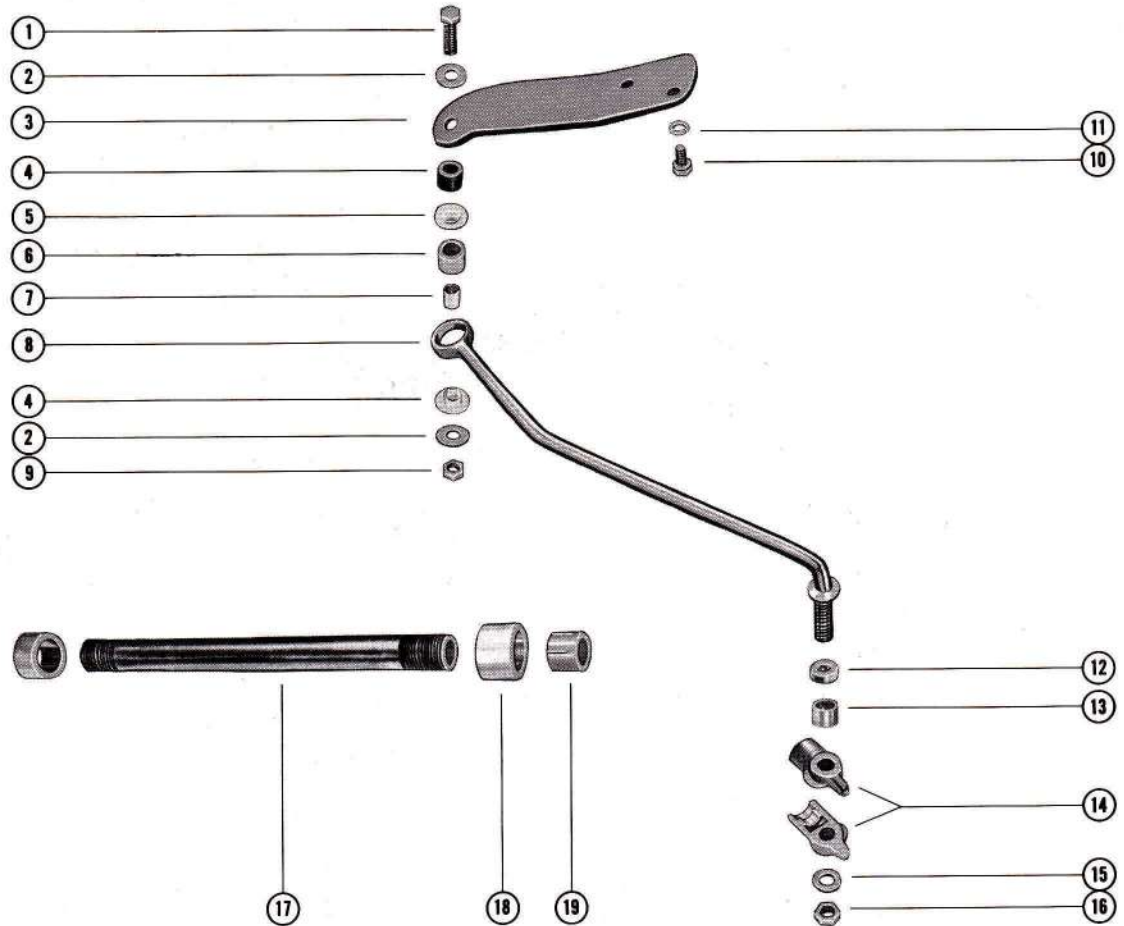
## RIDE-GUIDE EXTENSION KIT



PART NO.	REF. NO.	DESCRIPTION		
			C-29378A1	C-30707A1
C-29378A1	-	Ride-Guide Extension Kit (3/4" OD)	1	-
C-30707A1	-	Ride-Guide Extension Kit (7/8" OD)	-	1
C-29370	1	Bracket, extension (3/4" OD)	2	1
C-30705	1	Bracket, extension (7/8" OD)	-	1
C-29375	2	Cable End, steering - coupler to extension rod	2	2
C-29376	3	Cable End, steering - coupler to control cable	1	1
C-29374	4	Coupler, halves - cable ends to cable and rod	4	4
C-10-20653	5	Screw, coupler halves clamping	2	2
C-11-20586	6	Nut, coupler halves clamping screw	2	2
C-11-20083	7	Nut, extension rod locking to cable end	2	2
A-28122	8	Tube, tilt (3/4" OD)	1	-
C-30664	8	Tube, tilt (7/8" OD)	-	1
C-29372	9	Tube, cable coupling	1	1
C-11-20739	10	Nut, tilt tube and coupling tube locking	2	1
C-11-30708	10	Nut, tilt tube and coupling tube locking	-	1
	*11	Pipe (3/8") extension bracket to extension bracket	-	-
	*12	Rod (5/16") coupler end to coupler end	-	-

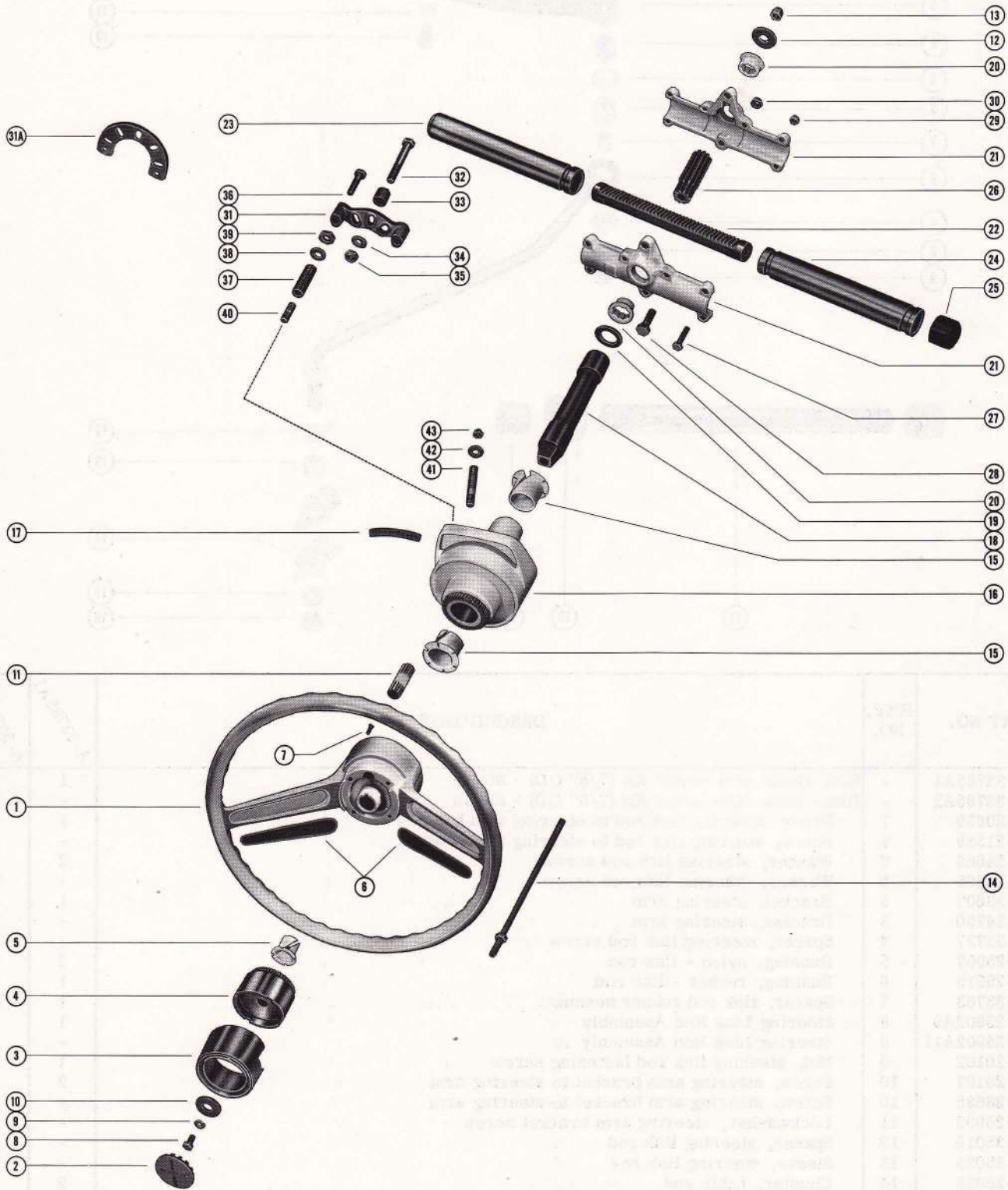
\* Customers to procure steel rod and galvanized pipe locally in required length. See Page 18A for Ride-Guide cable length desired.

RIDE-GUIDE ATTACHING KIT



PART NO.	REF. NO.	DESCRIPTION	A-33785A1	A-33785A2
A-33785A1	-	Ride-Guide Attachment Kit (7/8" OD) - single	1	-
●A-33785A2	-	Ride-Guide Attachment Kit (7/8" OD) - single	-	1
C-10-20639	1	Screw, steering link rod to steering arm bracket	1	-
C-10-21339	1	Screw, steering link rod to steering arm bracket	-	1
C-12-24666	2	Washer, steering link rod screw	2	-
C-12-26825	2	Washer, steering link rod screw	-	2
A-33607	3	Bracket, steering arm	1	-
A-34750	3	Bracket, steering arm	-	1
●C-23-55737	4	Spacer, steering link rod screw	-	1
A-23-25907	5	Bushing, nylon - link rod	2	2
C-23-25915	6	Bushing, rubber - link rod	1	1
A-23-33763	7	Spacer, link rod rubber bushing	1	1
A-25902A9	8	Steering Link Rod Assembly	1	-
A-25902A11	8	Steering Link Rod Assembly	-	1
C-11-20102	9	Nut, steering link rod fastening screw	1	1
C-10-29197	10	Screw, steering arm bracket to steering arm	2	-
C-10-28635	10	Screw, steering arm bracket to steering arm	-	2
C-13-26992	11	Lockwasher, steering arm bracket screw	-	2
C-23-35016	12	Spacer, steering link rod	-	2
C-23-35035	13	Sleeve, steering link rod	-	1
C-25888	14	Coupler, cable end	2	-
C-12-20084	15	Washer, coupler end steering link rod	1	1
C-11-20102	16	Nut, coupler to steering link rod	1	1
C-30664	17	Tilt Tube, clamp and swivel bracket (7/8" OD)	1	1
A-23-33468	18	Spacer, tilt tube	2	2
A-30744	19	Cap, tilt tube (open end)	1	1

# RIDE-GUIDE STEERING WHEEL ASSEMBLY



RIDE-GUIDE STEERING WHEEL ASSEMBLY

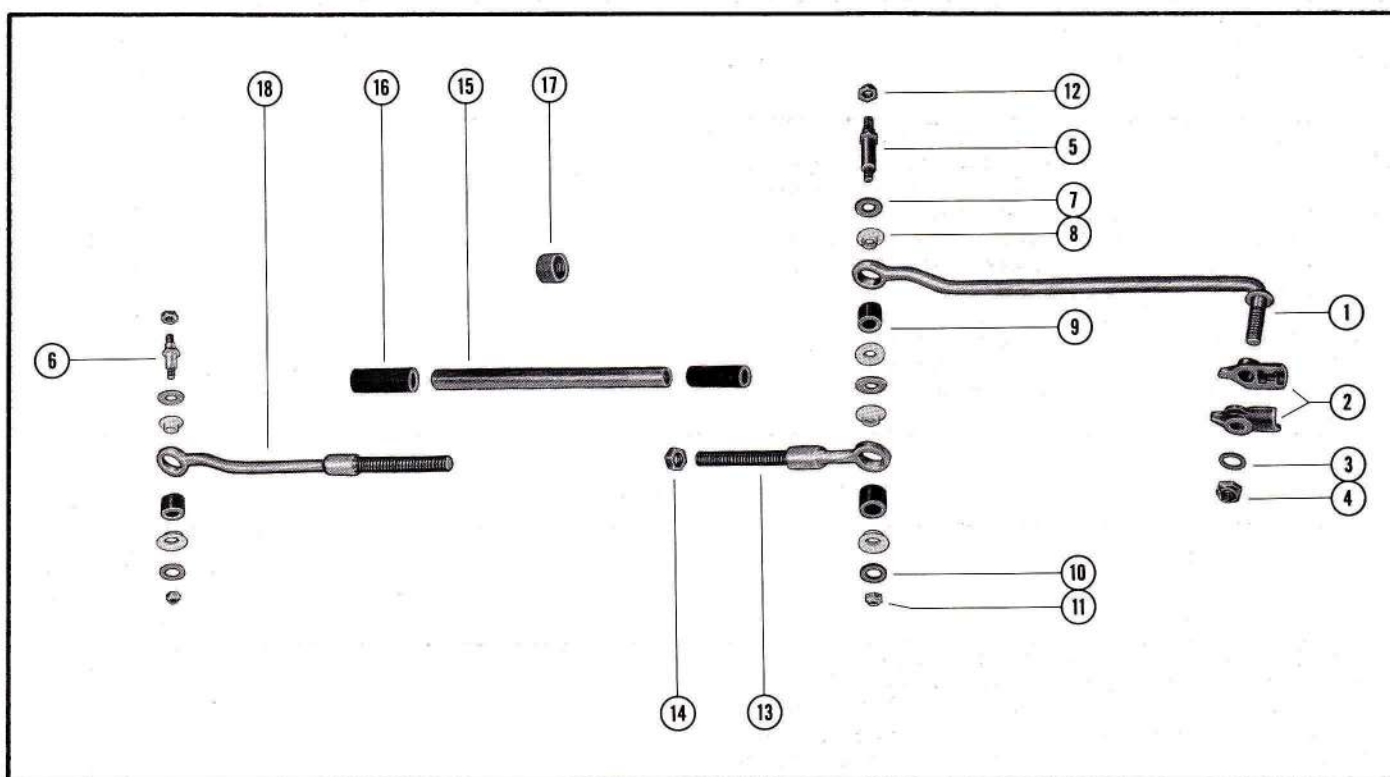
PART NO.	REF. NO.	DESCRIPTION	C-34659A2	C-34659A4
C-34659A2	1	Ride-Guide Steering Wheel Assembly (Indicator) - <b>white</b>	1	-
●C-34659A4	1	Ride-Guide Steering Wheel Assembly (Indicator) - <b>black</b>	-	1
C-38-34662	2	Button, indicator - steering wheel	1	1
C-34658	3	Cap, steering wheel	1	1
C-34654	4	Hub, indicator - steering wheel	1	1
C-23-38347	5	Bushing, steering wheel hub	1	1
●C-37-57221A1	6	Decal Set, steering wheel	1	1
C-10-20646	7	Screw, hub to steering wheel	4	4
C-10-20776	8	Screw, cap and hub to steering wheel	1	1
C-13-26992	9	Lockwasher, cap and hub screw	1	1
C-12-29954	10	Washer, cap and hub screw	1	1
C-34663	11	Shaft, pinion	1	1

RIDE-GUIDE STEERING KIT

PART NO.	REF. NO.	DESCRIPTION	C-34667A1	C-34667A3	C-34668A1	C-34668A3
C-34667A1	--	Ride-Guide Steering Kit (20°) - <b>white</b>	1	-	-	-
●C-34667A3	--	Ride-Guide Steering Kit (20°) - <b>black</b>	-	1	-	-
C-34668A1	--	Ride-Guide Steering Kit (90°) - <b>white</b>	-	-	1	-
●C-34668A3	--	Ride-Guide Steering Kit (90°) - <b>black</b>	-	-	-	1
C-12-27966	12	Washer, lower - steering wheel housing bolt	1	1	1	1
C-11-23161	13	Nut, steering wheel to housing bolt	1	1	1	1
C-10-34660	14	Bolt, steering wheel to gear rack housing (10 7/8")	1	1	-	-
C-10-34661	14	Bolt, steering wheel to gear rack housing (9 7/8")	-	-	1	1
C-23-29097	15	Bushing, steering wheel bracket	2	2	2	2
C-34655-1	16	Bracket, steering wheel mounting (20°) - <b>white</b>	1	-	-	-
●C-34655-2	16	Bracket, steering wheel mounting (20°) - <b>black</b>	-	1	-	-
C-34657-1	16	Bracket, steering wheel mounting (90°) - <b>white</b>	-	-	1	-
●C-34657-2	16	Bracket, steering wheel mounting (90°) - <b>black</b>	-	-	-	1
C-37-37401	17	Decal, Insignia (Quicksilver)	1	1	1	1
C-29220	18	Shaft, steering wheel (20°)	1	1	-	-
C-25890	18	Shaft, steering wheel (90°)	-	-	1	1
C-12-25897	19	Washer, shaft to gear rack housing	1	1	1	1
C-23-25901	20	Bushing, gear rack housing - splined	2	2	2	2
C-25884	21	Housing, gear rack	2	2	2	2
C-25887	22	Rack, gear	1	1	1	1
C-25895A1	23	Tube, gear rack (cable end)	1	1	1	1
C-25896	24	Tube, gear rack (open end)	1	1	1	1
C-26059	25	Cap, rubber - gear rack tube (open end)	1	1	1	1
C-25898	26	Pinion, gear rack	1	1	1	1
C-10-20784	27	Screw, gear rack housing clamping (1/4-28)	6	6	6	6
C-10-24217	28	Screw, gear rack housing clamping (3/8-24)	1	1	1	1
C-11-46887	29	Nut, gear rack housing clamping screw (1/4-28)	6	6	6	6
C-11-49197	30	Nut, gear rack housing clamping screw (3/8-24)	1	1	1	1
C-29215	31	Bracket, steering wheel mounting (20°)	1	1	-	-
C-29398	31A	Bracket, steering wheel mounting (90°)	-	-	1	1
C-10-29222	32	Screw, bracket to gear rack housing	1	1	1	1
C-23-29210	33	Spacer, bracket to gear rack housing screw	1	1	-	-
C-23-29397	33	Spacer, bracket to gear rack housing screw	-	-	1	1
C-12-25909	34	Washer, bracket to gear rack housing screw	1	1	1	1
C-11-20509	35	Nut, bracket to gear rack housing screw	1	1	1	1
C-10-22040	36	Screw, steering bracket to spacer (1 1/2")	2	2	-	-
C-10-20705	36	Screw, steering bracket to spacer (3/4")	-	-	2	2
C-23-29209	37	Spacer, steering bracket stud to screw	2	2	2	2
C-12-20959	38	Washer, steering bracket spacer	2	2	2	2
C-11-21612	39	Nut, steering bracket spacer	2	2	2	2
C-16-21831	40	Stud, spacer to steering bracket (1 1/4")	2	2	2	2
C-16-29208	41	Stud, steering bracket mounting (2 1/2")	1	1	1	1
C-12-26825	42	Washer, steering bracket mounting stud	1	1	1	1
C-11-49197	43	Nut, steering bracket mounting stud	1	1	1	1

NOTE: C-34659A2 and C-34659A4 Steering Wheel Assemblies can be used with either C-34667A1 and C-34667A3 or C-34668A1 and C-34668A3 Steering Kits, depending on whether 20° or 90° mounting is desired. Each unit must be ordered separately.

## RIDE-GUIDE ATTACHING KIT



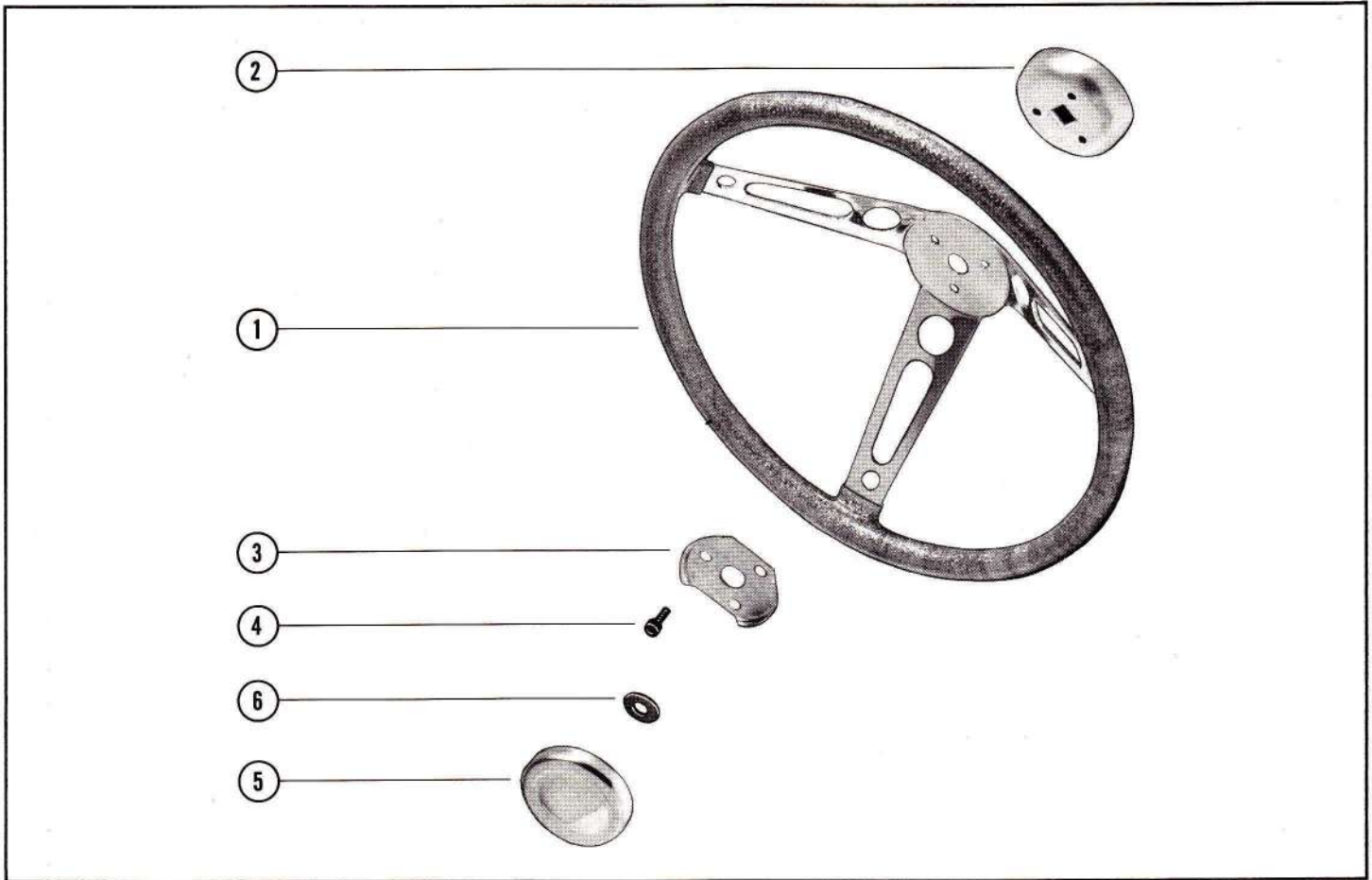
## RIDE-GUIDE ATTACHING KIT

PART NO.	REF. NO.	DESCRIPTION	QUAN.
A-34739A1	-	Ride-Guide Attaching Kit (dual)— <i>see note below</i>	1
A-33968A3	1	Rod Assembly, steering link	1
C-27872	2	Coupler, cable end	2
C-12-20086	3	Washer, steering link rod	1
C-11-20509	4	Nut, cable end couplers to steering link rod	1
A-17-34736	5	Pin, pivot - control engine	1
A-17-33972	6	Pin, pivot - secondary engine	1
C-12-25909	7	Washer, pivot pin (13/32" I. D.)	3
A-23-25907	8	Bushing, nylon - steering link and rod	6
C-23-25915	9	Bushing, rubber - steering link and rod	3
C-12-25908	10	Washer, pivot pin (17/64" I. D.)	2
C-11-20102	11	Nut, pivot pin - lower	2
C-11-30506	12	Nut, pivot pin - upper	2
A-34737A1	13	Link Assembly, steering - control engine	1
C-11-22496	14	Nut, jam - adjust coupling	1
A-27973	15	Coupling, adjustor - dual control	1
A-26675	16	Boot, rubber - coupling to steering link and rod	2
A-30744	17	Cap, plastic - tilt tube (7/8" O. D.)	1
A-34738A1	18	Link Assembly, steering - secondary engine	1

*NOTE: For use on Merc 350 (2 cylinder) only.*



RIDE-GUIDE STEERING WHEEL ASSEMBLY (Colored)



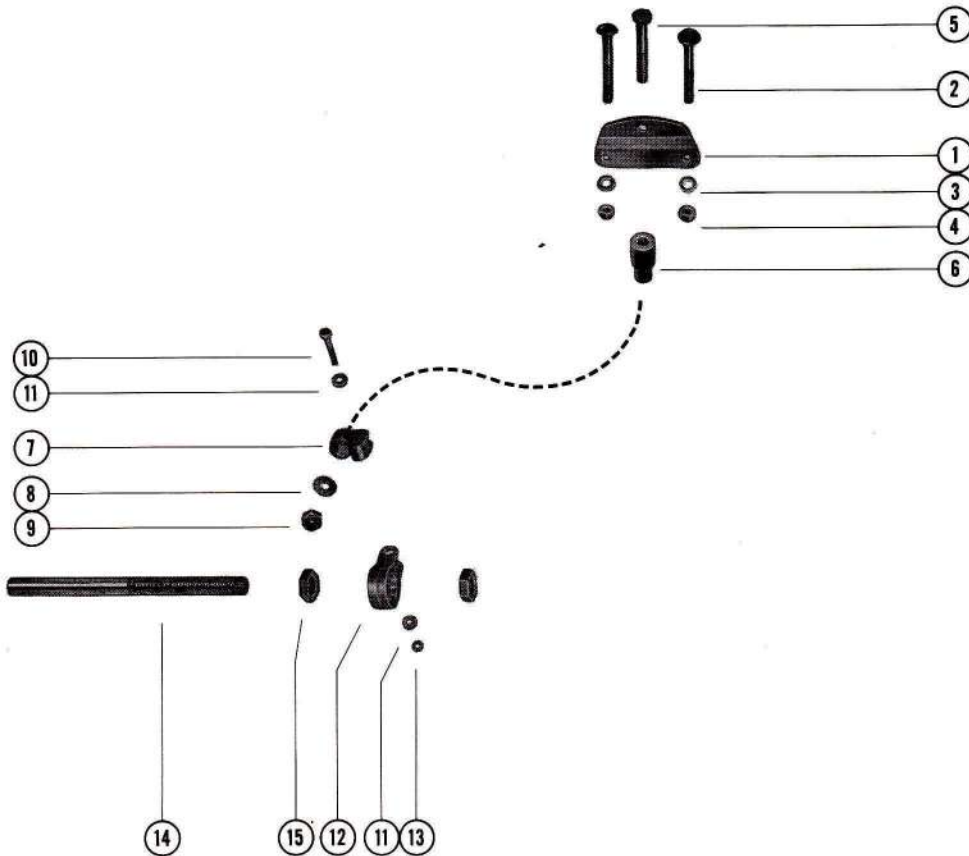
RIDE-GUIDE STEERING WHEEL ASSEMBLY (Colored)

PART NO.	REF. NO.	DESCRIPTION	C-38605A	C-46369A	C-46752A1	C-46395A1
C-38605A1	1	Steering Wheel Assembly (Rich Red)	1	-	-	-
C-38605A2	1	Steering Wheel Assembly (Light Gold)	1	-	-	-
C-38605A3	1	Steering Wheel Assembly (Silver)	1	-	-	-
C-38605A4	1	Steering Wheel Assembly (Royal Blue)	1	-	-	-
C-46369A1	1	Steering Wheel Assembly (Rich Red)	-	1	-	-
C-46369A2	1	Steering Wheel Assembly (Light Gold)	-	1	-	-
C-46369A3	1	Steering Wheel Assembly (Silver)	-	1	-	-
C-46369A4	1	Steering Wheel Assembly (Royal Blue)	-	1	-	-
C-46369A5	1	Steering Wheel Assembly (Black)	-	1	-	-
C-46369A6	1	Steering Wheel Assembly (White)	-	1	-	-
C-46752A1	1	Steering Wheel Assembly (Black) - thick sponge grip	-	-	1	-
C-46395A1	1	Steering Wheel Assembly (Plastic)	-	-	-	1
C-38613	2	Hub, steering wheel	1	-	-	-
C-46290	2	Hub, steering wheel	-	1	1	-
C-38614	3	Plate, snap - steering wheel	1	-	-	-
C-46370	3	Plate, snap - steering wheel	-	1	1	-
C-10-38615	4	Screw, snap plate to steering wheel (3/4")	3	3	3	-
C-38-38616	5	Name Plate, chrome	1	-	-	-
C-46352	5	Name Plate, chrome	-	1	1	-
C-12-38622	6	Washer, steering wheel to housing bolt	1	1	1	-
C-46999A1	-	Button Assembly, steering wheel	-	-	-	1

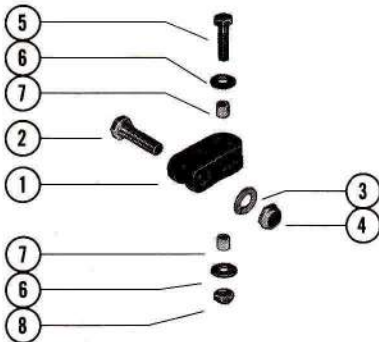
NOTE: All of the above listed steering wheels can be used with either C-32399A1, C-32399A2, C-32400A1 or C-32400A2 Steering Kits, depending upon whether 20° or 90° mounting is desired. Each unit must be ordered separately - see Page 22A.

UNIVERSAL RIDE-GUIDE SINGLE ATTACHING KIT

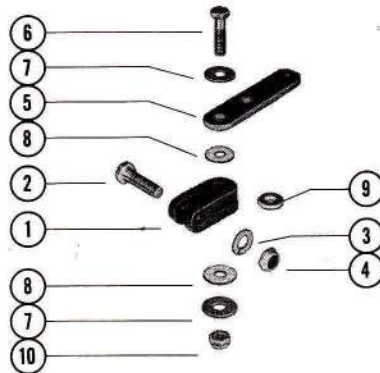
**C-38047A1  
TRANSOM ATTACHING KIT**



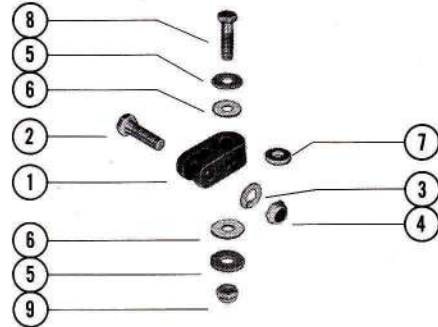
**C-38047A2  
ATTACHING KIT**



**C-38047A3  
ATTACHING KIT**



**C-38047A4  
AND  
C-38047A5  
ATTACHING KIT**



UNIVERSAL RIDE-GUIDE SINGLE ATTACHING KIT

PART NO.	REF. NO.	DESCRIPTION	QUAN.
C-38047A1	-	Universal Ride-Guide Transom Attaching Kit <i>(see note below)</i>	1
A-30085	1	Bracket, pivot block to boat transom	1
C-10-26483	2	Screw, transom bracket to boat transom (2 3/4")	2
C-13-26993	3	Lockwasher, transom bracket screw	2
C-11-21908	4	Nut, transom bracket screw	2
C-10-29096	5	Screw, transom bracket to pivot block (2 1/2")	1
C-23-28343	6	Spacer, pivot - transom bracket to pivot block	1
A-28190	7	Block, pivot	1
C-12-21040	8	Washer, transom bracket to pivot block screw	1
C-11-20509	9	Nut, transom bracket to pivot block screw	1
C-10-39512	10	Screw, pivot block to yoke (1 3/4")	1
C-12-22248	11	Washer, pivot block screw	2
A-30700	12	Yoke, pivot block	1
C-11-20696	13	Nut, pivot block screw	1
C-32-35015	14	Tube, cable guide	1
C-11-37984	15	Nut, adjusting - cable guide tube	2

This kit must be used in conjunction with one of the four kits listed below, depending upon the application desired.

UNIVERSAL RIDE-GUIDE ATTACHING KIT

PART NO.	REF. NO.	DESCRIPTION	QUAN.
C-38047A2	-	Universal Ride-Guide Attaching Kit <i>(see note below)</i>	1
C-39118	1	Clevis, steering cable	1
C-10-35871	2	Screw, steering cable clevis to steering cable (1 1/2")	1
C-12-20553	3	Washer, steering cable clevis screw	1
C-11-20509	4	Nut, steering cable clevis screw	1
C-10-26066	5	Screw, steering bracket to steering cable clevis (1 1/4")	1
C-12-26825	6	Washer, steering bracket screw	2
C-23-39303	7	Sleeve, steering bracket screw	2
C-11-20102	8	Nut, steering bracket screw	1

Use with Johnson and Evinrude Outboard Motors only (except V-90 and V-100).

UNIVERSAL RIDE-GUIDE ATTACHING KIT

PART NO.	REF. NO.	DESCRIPTION	QUAN.
C-38047A3	-	Universal Ride-Guide Attaching Kit <i>(see note below)</i>	1
C-39118	1	Clevis, steering cable	1
C-10-35871	2	Screw, steering cable clevis to steering cable (1 1/2")	1
C-12-20553	3	Washer, steering cable clevis screw	1
C-11-20509	4	Nut, steering cable clevis screw	1
C-39119	5	Bracket, mounting - engine to steering cable clevis	1
C-10-35871	6	Screw, mounting bracket to steering cable clevis (1 1/2")	1
C-12-28105	7	Washer, mounting bracket screw	2
C-12-39116	8	Washer, nylon - mounting bracket screw	2
C-12-39304	9	Washer, spacer - mounting bracket screw	1
C-11-20509	10	Nut, mounting bracket screw	1

Use with Johnson and Evinrude V-90 and V-100 Outboard Motors only.

UNIVERSAL RIDE-GUIDE ATTACHING KIT

PART NO.	REF. NO.	DESCRIPTION	QUAN.
C-38047A4	-	Universal Ride-Guide Attaching Kit <i>(see note below)</i>	1
C-39118	1	Clevis, steering cable	1
C-10-35871	2	Screw, steering cable clevis to steering cable (1 1/2")	1
C-12-20553	3	Washer, steering cable clevis screw	1
C-11-20509	4	Nut, steering cable clevis screw	1
C-12-28105	5	Washer, steering arm screw	2
C-12-39116	6	Washer, nylon - steering arm screw	2
C-12-39304	7	Washer, spacer - steering arm screw	1
C-10-31830	8	Screw, steering arm to steering cable clevis (1 3/4")	1
C-11-20509	9	Nut, steering arm screw	1

Use with 1965, 1966, 1967 and 1968 Mercury Outboard Motors employing C-34451A or C-37305A Ride-Guide cable.

included with each Mercury Motor

UNIVERSAL RIDE-GUIDE ATTACHING KIT

PART NO.	REF. NO.	DESCRIPTION	QUAN.
C-38047A5	-	Universal Ride-Guide Attaching Kit <i>(see note below)</i>	1
C-39118	1	Clevis, steering cable	1
C-10-35871	2	Screw, steering cable clevis to steering cable (1 1/2")	1
C-12-20553	3	Washer, steering cable clevis screw	1
C-11-20509	4	Nut, steering cable clevis screw	1
C-12-28105	5	Washer, steering arm screw	2
C-12-39116	6	Washer, nylon - steering arm screw	2
C-12-39304	7	Washer, spacer - steering arm screw	1
C-10-49220	8	Screw, steering arm to steering cable clevis (2 1/4")	1
C-11-20509	9	Nut, steering arm screw	1

Use with Chrysler Outboard Motors only.

NOTE: C-38047A1 Transom Attaching Kit must be ordered in conjunction with one of the four kits listed below, depending upon the application desired:

C-38047A2 ---- use with Johnson and Evinrude Outboard Motors only (except V-90 and V-100).

C-38047A3 ---- use with Johnson and Evinrude V-90 and V-100 Outboard Motors only.

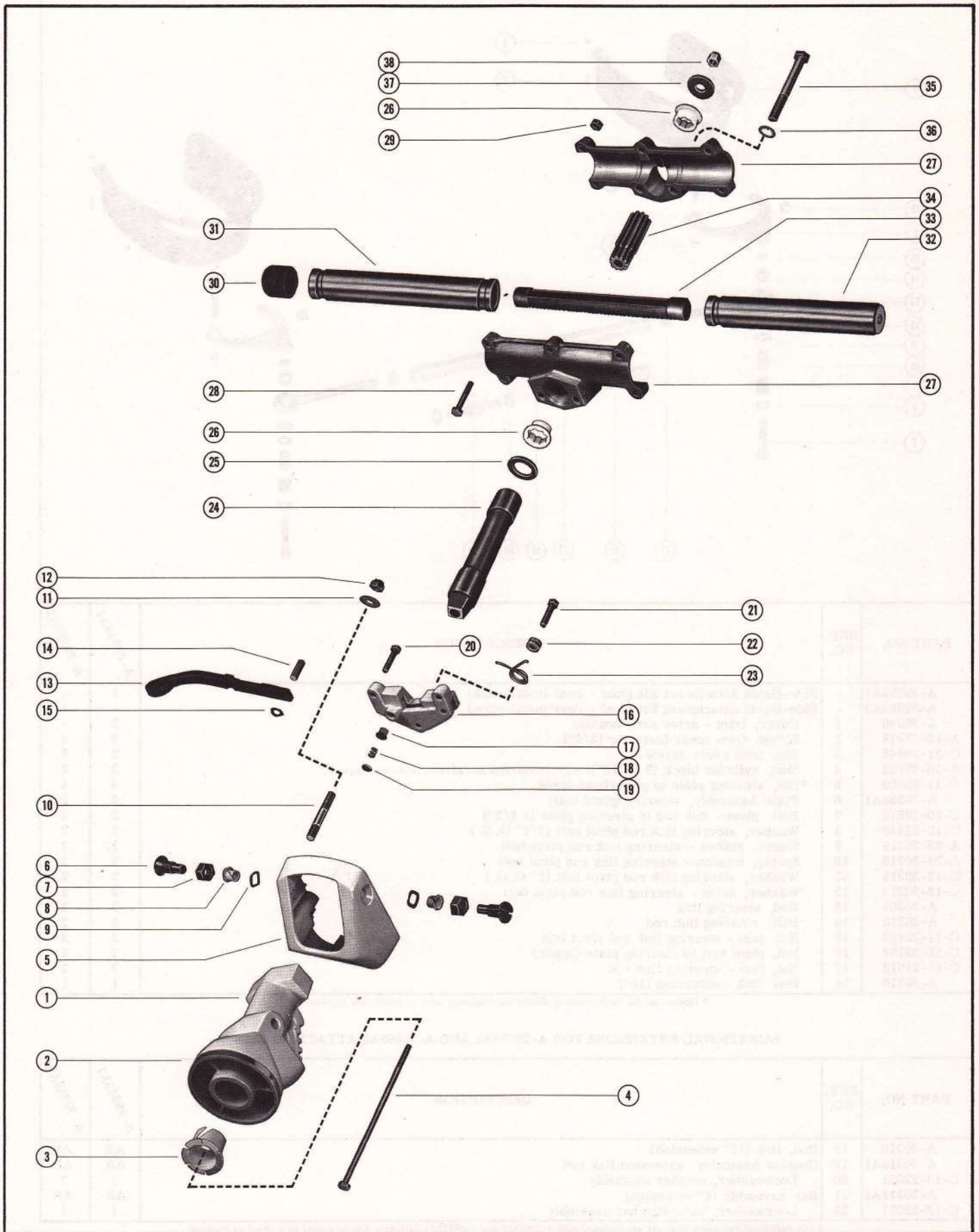
C-38047A4 ---- use with 1965, 1966, 1967 and 1968 Mercury Outboard Motors employing C-34451A or C-37305A Ride-Guide Cable.

C-38047A5 ---- use with Chrysler Outboard Motors only.

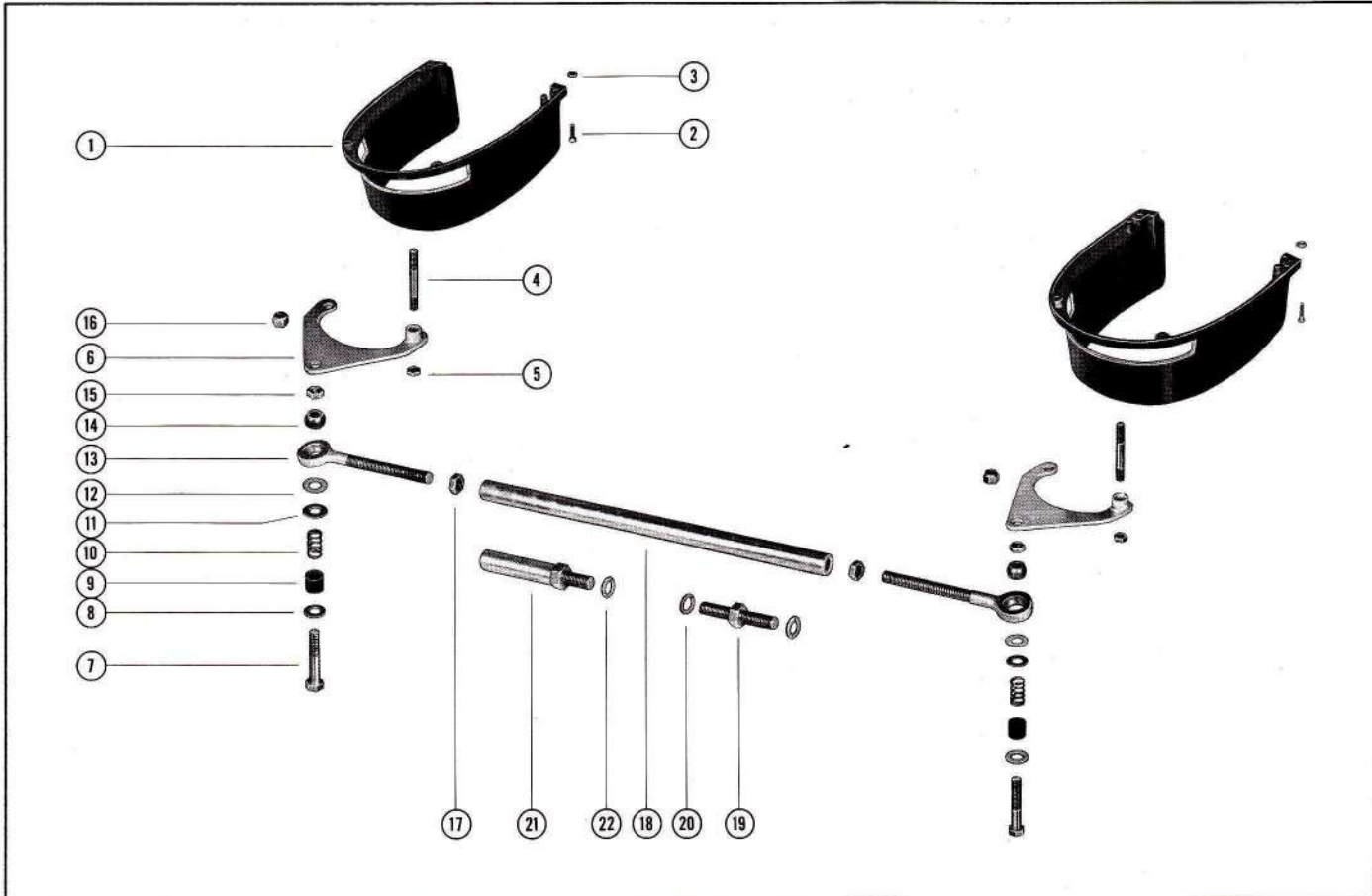
RIDE-GUIDE TILT MOUNT ASSEMBLY, COMPLETE

PART NO.	REF. NO.	DESCRIPTION	QUAN.
●C-48250A1	-	Ride-Guide Tilt Mount Assembly, Complete	1
●C-48227	1	Post, tilt - steering wheel mounting	1
C-37-32710	2	Strip, trim - tilt post	1
C-23-29097	3	Bushing, nylon - tilt post	1
C-10-29223	4	Bolt, steering wheel to tilt post (10 7/8")	1
●C-48228	5	Housing, tilt post mounting	1
●C-10-48232	6	Screw, mounting housing to tilt post (1 1/2")	2
●C-11-48238	7	Nut, mounting housing screw	2
●C-23-48237	8	Bushing, nylon - mounting housing screw	2
●C-13-48239	9	Washer, wave - mounting housing screw	2
C-16-29208	10	Stud, mounting housing to dashboard (2 1/2")	4
C-12-26825	11	Washer, mounting housing stud	4
C-11-21528	12	Nut, mounting housing stud	4
●C-48224	13	Lever, tilt adjusting	1
●C-29-48235	14	Pin, detent - tilt adjusting lever	1
C-13-28943	15	Washer, wave - tilt adjusting lever pin	1
●C-48225	16	Housing, tilt adjusting lever	1
C-17-20009	17	Pin, detent - tilt adjusting lever	1
C-24-35227	18	Spring, tension - detent pin	1
C-19-20011	19	Welch Plug, detent pin	1
C-10-48240	20	Screw, lever housing to mounting housing (1 1/4")	2
●C-10-48240	21	Screw, tension spring spacer to housing (1 1/4")	1
●C-23-48233	22	Spacer, tension spring	1
●C-24-48234	23	Spring, tension - tilt adjusting lever	1
C-29220	24	Shaft, steering wheel	1
C-12-25897	25	Washer, shaft to gear rack housing (15/16" I. D.)	1
C-23-25901	26	Bushing, gear rack housing - splined	2
●C-48226	27	Housing, gear rack	2
C-10-20784	28	Screw, gear rack housing clamping (1 1/2")	5
C-11-46887	29	Nut, gear rack clamping screw	5
C-26059	30	Cap, rubber - gear rack tube (open end)	1
C-25896	31	Tube, gear rack (open end)	1
C-25895A1	32	Tube, gear rack (cable end)	1
C-25887	33	Rack, gear	1
C-25898	34	Pinion, gear rack	1
●C-10-48236	35	Screw, gear rack housing clamping (3 1/4")	2
●C-13-48300	36	Lockwasher, gear rack clamping screw	2
●C-12-48241	37	Washer, lower - steering wheel housing bolt (13/32" I. D.)	1
C-11-23161	38	Nut, steering wheel to housing bolt	1

# RIDE-GUIDE TILT MOUNT ASSEMBLY, COMPLETE



RIDE-GUIDE ATTACHING KIT



PART NO.	REF. NO.	DESCRIPTION	A-39959A1	A-39959A2
A-39959A1	-	Ride-Guide Attachment Kit (dual - rear installation)	1	-
A-39959A2	-	Ride-Guide Attachment Kit (dual - rear installation)	-	1
A-39940	1	Cover, trim - drive shaft housing	2	-
A-10-37978	2	Screw, trim cover fastening (3/4")	8	8
C-11-20645	3	Nut, trim cover screw	8	8
A-16-37653	4	Stud, cylinder block (2 11/16") - replaces right rear stud used on production engines	2	2
C-11-20509	5	*Nut, steering plate to powerhead studs	4	4
A-39938A1	6	Plate Assembly, steering (pivot bolt)	2	2
C-10-32515	7	Bolt, pivot - link rod to steering plate (2 1/2")	2	2
C-12-22248	8	Washer, steering link rod pivot bolt (7/8" O.D.)	2	2
A-23-30319	9	Sleeve, rubber - steering link rod pivot bolt	2	2
A-24-30316	10	Spring, tension - steering link rod pivot bolt	2	2
C-12-30315	11	Washer, steering link rod pivot bolt (1" O.D.)	2	2
C-12-30314	12	Washer, nylon - steering link rod pivot bolt	2	2
A-30309	13	Rod, steering link	2	2
A-30312	14	Ball, steering link rod	2	2
C-11-22496	15	Nut, jam - steering link rod pivot bolt	2	2
C-11-22178	16	Nut, pivot bolt to steering plate (upper)	2	2
C-11-21612	17	Nut, jam - steering link rod	2	2
A-30310	18	Rod, link - extension (16")	1	1

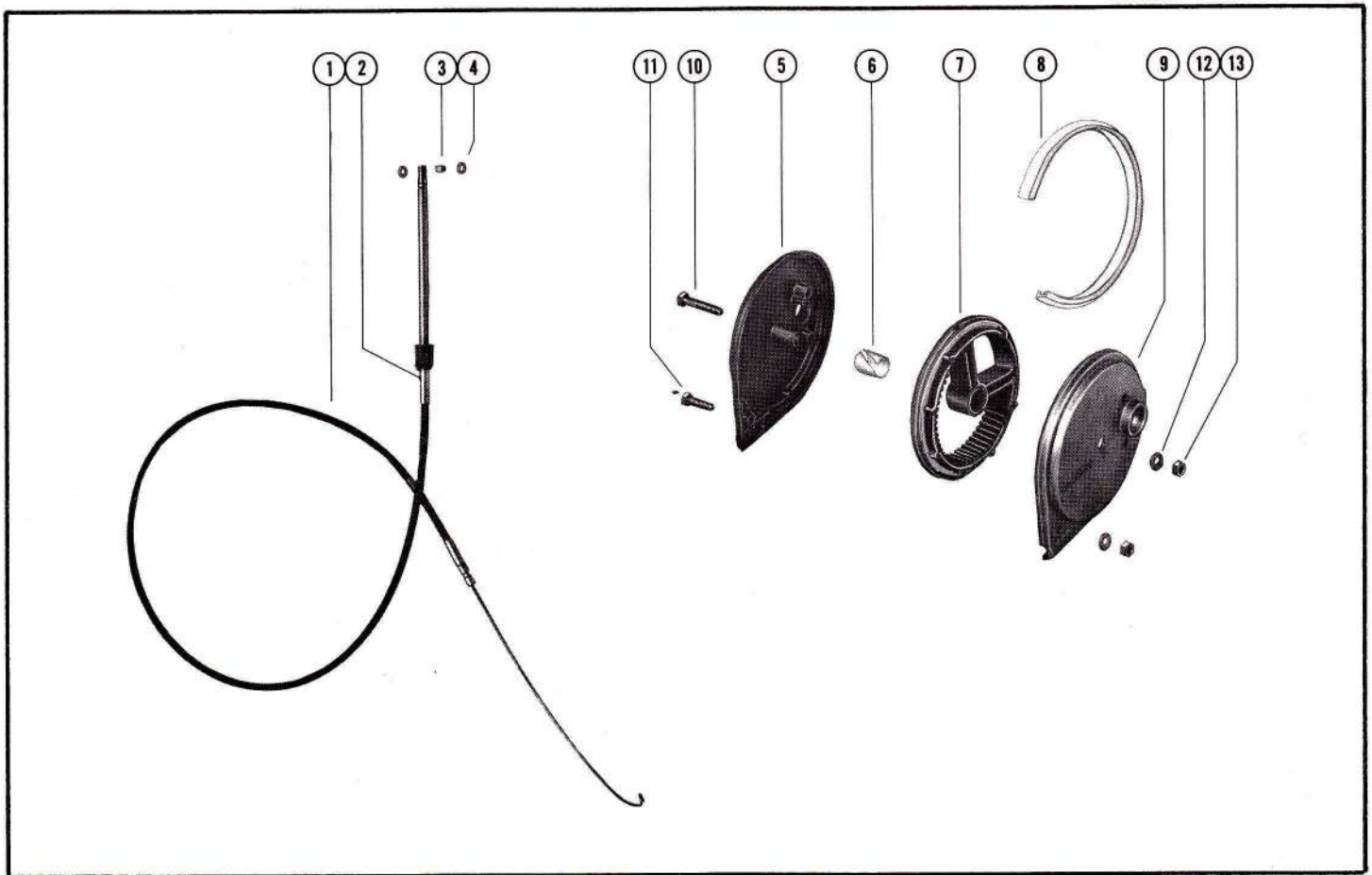
\* Thinner nut for replacement of thicker nut originally used on production engines.

#ADDITIONAL EXTENSIONS FOR A-39959A1 AND A-39959A2 ATTACHING KITS

PART NO.	REF. NO.	DESCRIPTION	A-39959A1	A-39959A2
A-30310	18	Rod, link (16" extension)	AR	AR
A-30318A1	19	Coupler Assembly, extension link rod	AR	AR
C-13-22021	20	Lockwasher, coupler assembly	2	2
A-30311A1	21	Bar Assembly (4" extension)	AR	AR
C-13-22021	22	Lockwasher, extension bar assembly	1	1

# The additional extension parts are not included with A-39959A1 and A-39959A2 Attaching Kits and must be ordered as required.

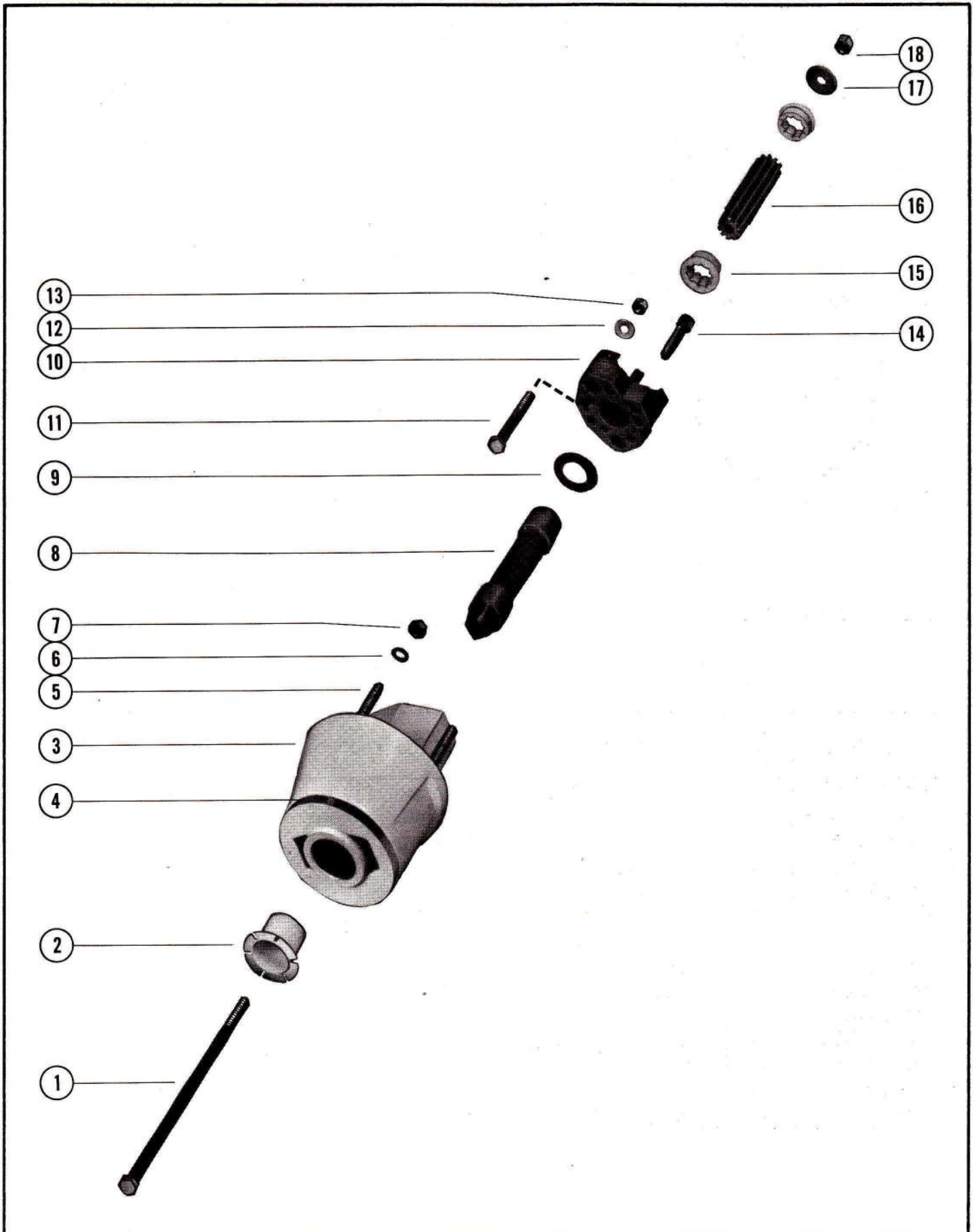
## ROTARY RIDE-GUIDE CABLE ASSEMBLY



PART NO.	REF. NO.	DESCRIPTION	QUAN.
●C-54121A*	-	Rotary Ride-Guide Cable Assembly	1
●C-54121- *	1	Cable, rotary steering	1
C-22-26000	2	Fitting, grease - steering cable	1
C-23-35035	3	Sleeve, cable end	1
C-23-35016	4	Spacer, cable end	2
●C-54131	5	Housing, steering control - port	1
●C-23-54123	6	Bushing, nylon - ring gear	1
●C-43-54132	7	Gear, ring	1
●C-54124	8	Liner, nylon - ring gear	1
●C-54130	9	Housing, steering control - starboard	1
C-10-32293	10	Screw, control housing clamping (1 3/4")	1
C-10-20639	11	Screw, control housing clamping (1 1/8")	1
C-12-20722	12	Washer, control housing clamping screw	2
C-11-46793	13	Nut, control housing clamping screw	2

\*Order steering cables in the following lengths: A7, A8, A9, A10, A11, A12, A13, A14, A15, A16, A17, A18, A19, A20, A21, A22, A23, A24, A25, A26, A27, A28, A29 and A30.

# ROTARY RIDE-GUIDE STEERING KIT





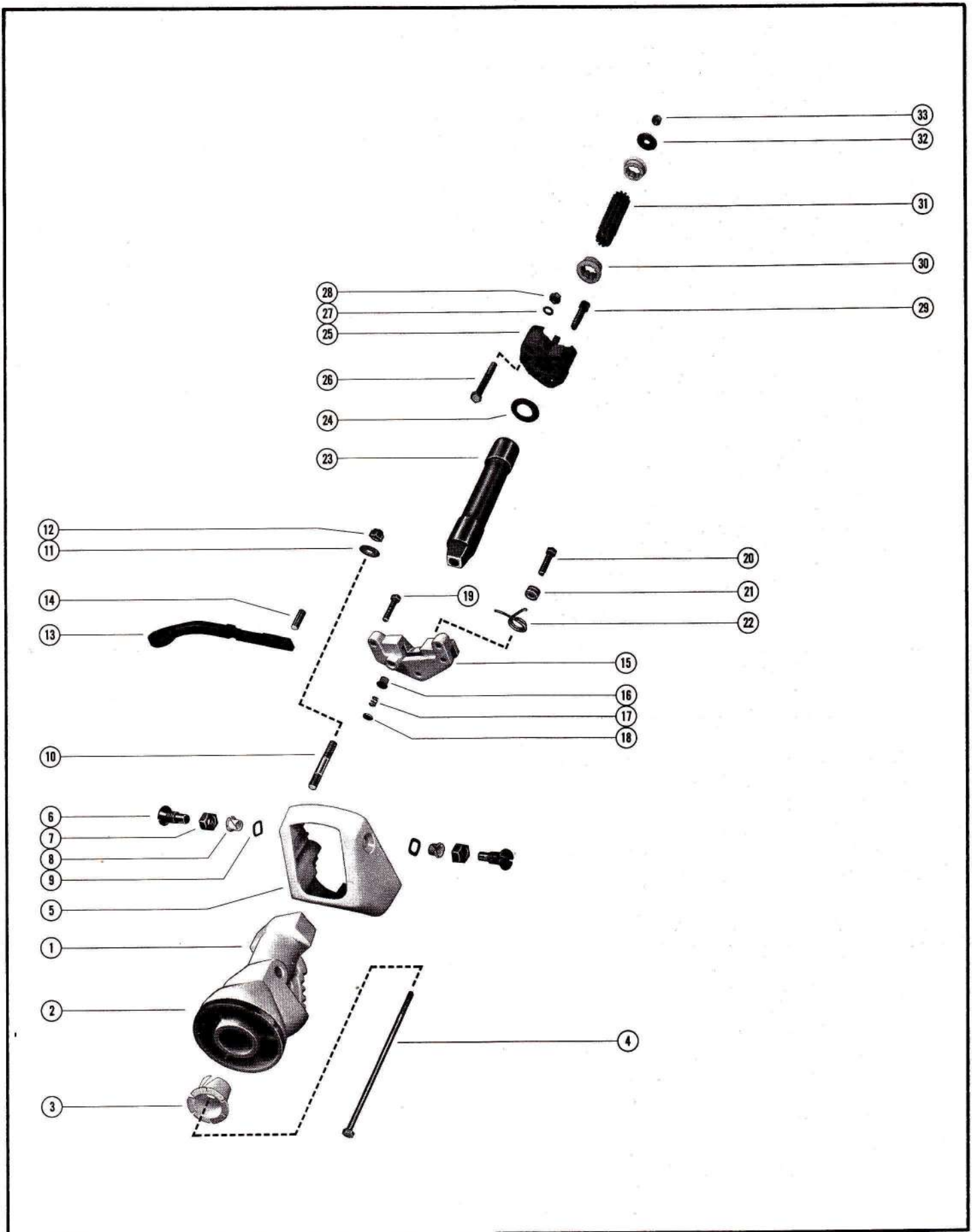
ROTARY RIDE-GUIDE STEERING KIT

PART NO.	REF. NO.	DESCRIPTION	C-54117A1	C-54117A2	C-54118A1	C-54118A2
●C-54117A1	-	Rotary Ride-Guide Steering Kit, white (20°)	1	-	-	-
●C-54117A2	-	Rotary Ride-Guide Steering Kit, black (20°)	-	1	-	-
●C-54118A1	-	Rotary Ride-Guide Steering Kit, white (90°)	-	-	1	-
●C-54118A2	-	Rotary Ride-Guide Steering Kit, black (90°)	-	-	-	1
●C-10-54127	1	Bolt, steering wheel to control housing (11 5/8")	1	1	-	-
●C-10-54128	1	Bolt, steering wheel to control housing (10 5/8")	-	-	1	1
C-23-29097	2	Bushing, nylon - mounting bracket	1	1	1	1
●C-49055-1	3	Bracket, steering wheel mounting (20°) - white	1	-	-	-
●C-49055-2	3	Bracket, steering wheel mounting (20°) - black	-	1	-	-
●C-49053-1	3	Bracket, steering wheel mounting (90°) - white	-	-	1	-
●C-49053-2	3	Bracket, steering wheel mounting (90°) - black	-	-	-	1
C-37-32710	4	Decal, overlay trim strip - mounting bracket	1	1	1	1
C-16-29208	5	Stud, mounting bracket to dashboard (2 1/2")	3	3	3	3
C-12-26825	6	Washer, mounting bracket stud	3	3	3	3
C-11-35814	7	Nut, mounting bracket stud	3	3	3	3
C-29220	8	Shaft, steering wheel (20°)	1	1	-	-
C-25890	8	Shaft, steering wheel (90°)	-	-	1	1
C-12-25897	9	Washer, shaft to mounting bracket	1	1	1	1
●C-54129	10	Adaptor, rotary steering	1	1	1	1
C-10-29222	11	Screw, steering adaptor to control housing (2 3/4")	2	2	2	2
C-12-20086	12	Washer, steering adaptor screw	2	2	2	2
C-11-49197	13	Nut, steering adaptor screw	2	2	2	2
●C-10-54126	14	Screw, steering adaptor to mounting bracket (1 1/2")	2	2	2	2
C-23-25901	15	Bushing, nylon - steering pinion (splined)	2	2	2	2
●C-54125	16	Pinion, steering	1	1	1	1
C-12-48241	17	Washer, steering wheel bolt	1	1	1	1
C-11-23161	18	Nut, steering wheel bolt	1	1	1	1

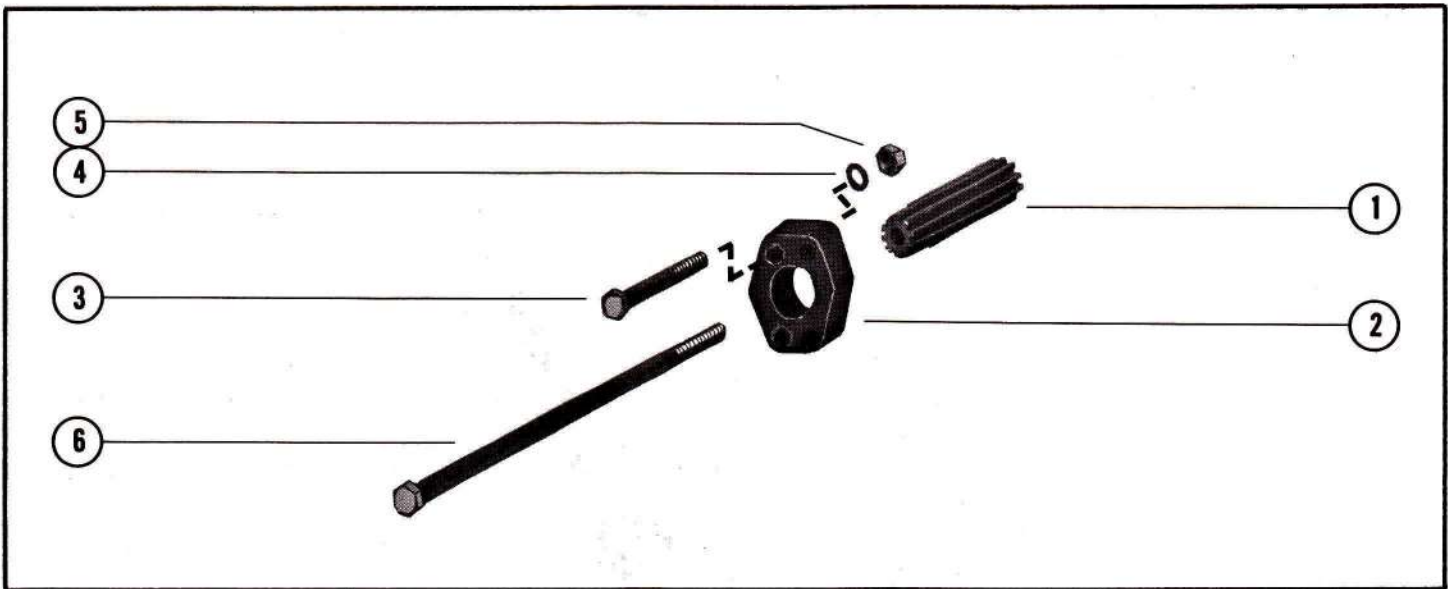
ROTARY RIDE-GUIDE TILT MOUNT ASSEMBLY

PART NO.	REF. NO.	DESCRIPTION	QUAN.
●C-54119A1	-	Rotary Ride-Guide Tilt Mount Assembly	1
C-48227	1	Post, tilt - steering wheel mounting	1
C-37-32710	2	Strip, trim - tilt post	1
C-23-29097	3	Bushing, nylon - tilt post	1
C-10-54127	4	Bolt, steering wheel to tilt post (1 5/8")	1
C-48228	5	Housing, tilt post mounting	1
C-10-48232	6	Screw, mounting housing to tilt post (1 1/2")	2
C-11-48238	7	Nut, mounting housing screw	2
C-23-48237	8	Bushing, nylon - mounting housing screw	2
●C-25-48182	9	Quad Ring, mounting housing screw	2
C-16-29208	10	Stud, mounting housing to dashboard (2 1/2")	4
C-12-26825	11	Washer, mounting housing stud	4
C-11-35814	12	Nut, mounting housing stud	4
C-48224	13	Lever, tilt adjusting	1
C-29-48235	14	Pin, detent - tilt adjusting lever	1
C-48225	15	Housing, tilt adjusting lever	1
C-17-20009	16	Pin, detent - tilt adjusting lever	1
C-24-35227	17	Spring, tension - detent pin	1
C-19-20011	18	Welch Plug, detent pin	1
C-10-48240	19	Screw, lever housing to mounting housing (1 1/4")	2
C-10-48240	20	Screw, tension spring spacer to housing (1 1/4")	1
C-23-48233	21	Spacer, tension spring	1
C-24-48234	22	Spring, tension - tilt adjusting lever	1
C-29220	23	Shaft, steering wheel	1
C-12-25897	24	Washer, shaft to gear rack housing (15/16" I. D.)	1
C-54129	25	Adaptor, rotary steering	1
C-10-29222	26	Screw, steering adaptor to control housing (2 3/4")	2
C-12-20086	27	Washer, steering adaptor screw	2
C-11-49197	28	Nut, steering adaptor screw	2
C-10-54126	29	Screw, steering adaptor to tilt post (1 1/2")	2
C-23-25901	30	Bushing, nylon - steering pinion (splined)	2
C-54125	31	Pinion, steering	1
C-12-48241	32	Washer, lower - steering wheel bolt	1
C-11-23161	33	Nut, steering wheel bolt	1

# ROTARY RIDE-GUIDE TILT MOUNT ASSEMBLY



SUPER ROTARY RIDE-GUIDE STEERING KIT



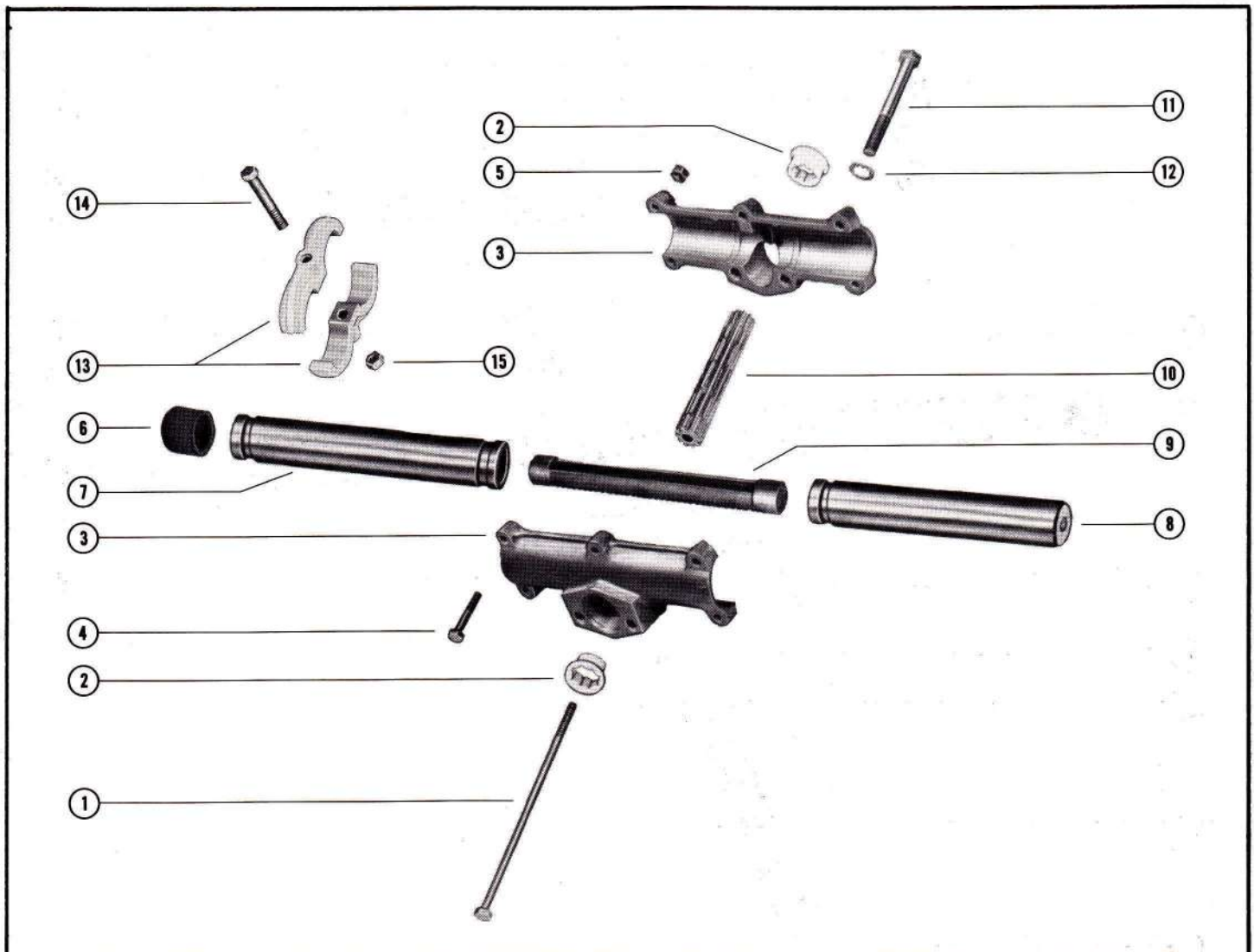
SUPER ROTARY RIDE-GUIDE STEERING KIT

PART NO.	REF. NO.	DESCRIPTION	QUAN.
●C-54120A1	-	Super Rotary Ride-Guide Steering Kit <i>(see note below)</i>	1
●C-54133	1	Pinion, steering	1
●C-54135	2	Adaptor, super rotary steering	1
C-10-52409	3	Screw, adaptor to control housing (3 1/4")	2
C-10-29096	3	Screw, adaptor to control housing (2 1/2")	2
C-10-37627	3	Screw, adaptor to control housing (5")	2
C-12-20086	4	Washer, adaptor screw	2
C-11-49197	5	Nut, adaptor screw	2
●C-10-54134	6	Screw, steering wheel attaching (13 15/16")	1

NOTE: C-54120A1 Super Rotary Ride-Guide Steering Kit to be used with the following assemblies:

- C-54117A1 Rotary Steering Kit, white (20°)
- C-54117A2 Rotary Steering Kit, black (20°)
- C-54118A1 Rotary Steering Kit, white (90°)
- C-54118A2 Rotary Steering Kit, black (90°)
- C-54119A1 Rotary Tilt Mount Steering Kit

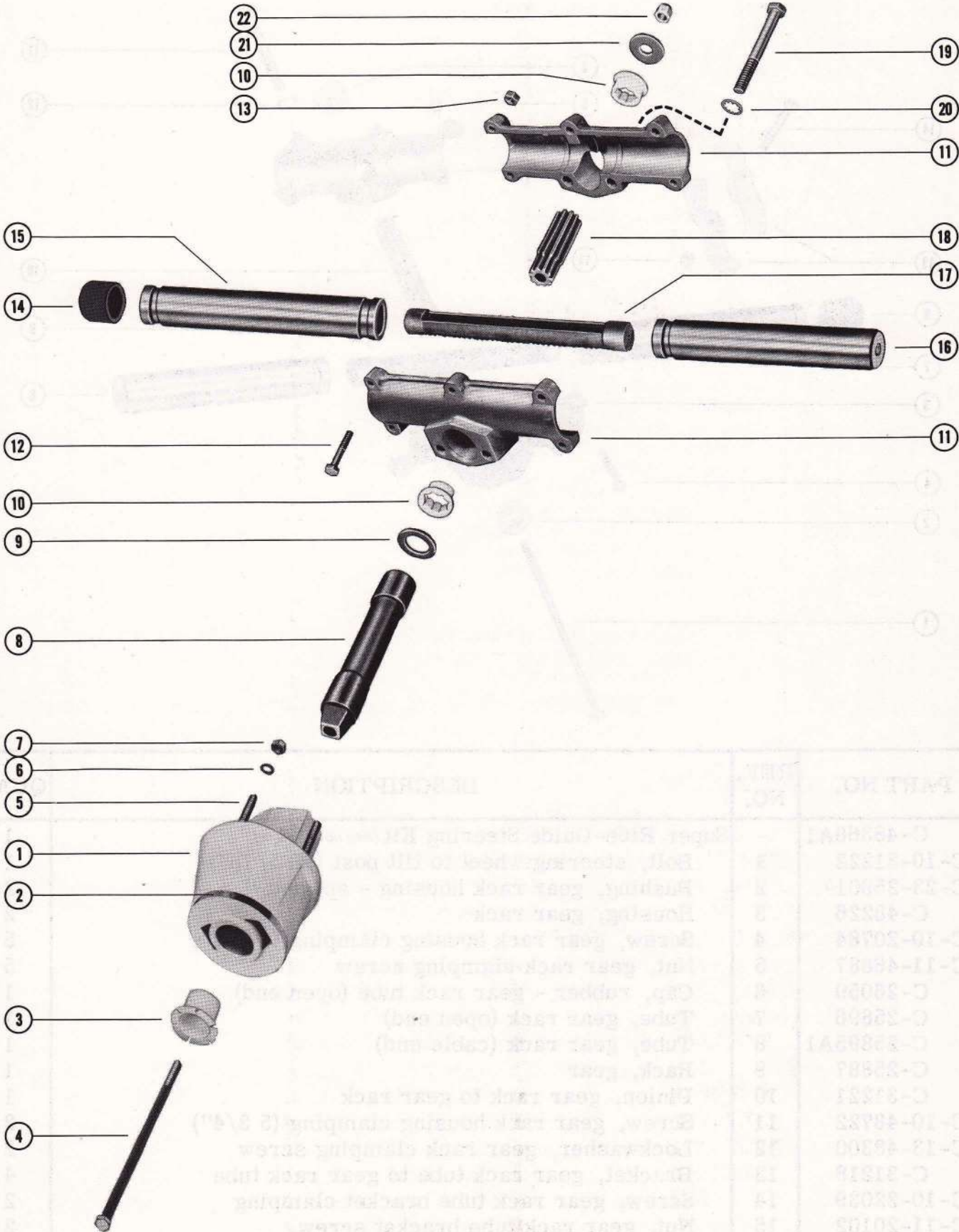
## SUPER RIDE-GUIDE STEERING KIT



PART NO.	REF. NO.	DESCRIPTION	QUAN.
C-48366A1	-	Super Ride-Guide Steering Kit <i>(see note below)</i>	1
C-10-31222	1	Bolt, steering wheel to tilt post (13 5/16")	1
C-23-25901	2	Bushing, gear rack housing - splined	2
C-48226	3	Housing, gear rack	2
C-10-20784	4	Screw, gear rack housing clamping (1 1/2")	5
C-11-46887	5	Nut, gear rack clamping screw	5
C-26059	6	Cap, rubber - gear rack tube (open end)	1
C-25896	7	Tube, gear rack (open end)	1
C-25895A1	8	Tube, gear rack (cable end)	1
C-25887	9	Rack, gear	1
C-31221	10	Pinion, gear rack to gear rack	1
C-10-48722	11	Screw, gear rack housing clamping (5 3/4")	2
C-13-48300	12	Lockwasher, gear rack clamping screw	2
C-31218	13	Bracket, gear rack tube to gear rack tube	4
C-10-22039	14	Screw, gear rack tube bracket clamping	2
C-11-20102	15	Nut, gear rack tube bracket screw	2

*NOTE: C-48366A1 Super Ride-Guide Steering Kit to be used with C-48250A1 Tilt Mount Assembly*

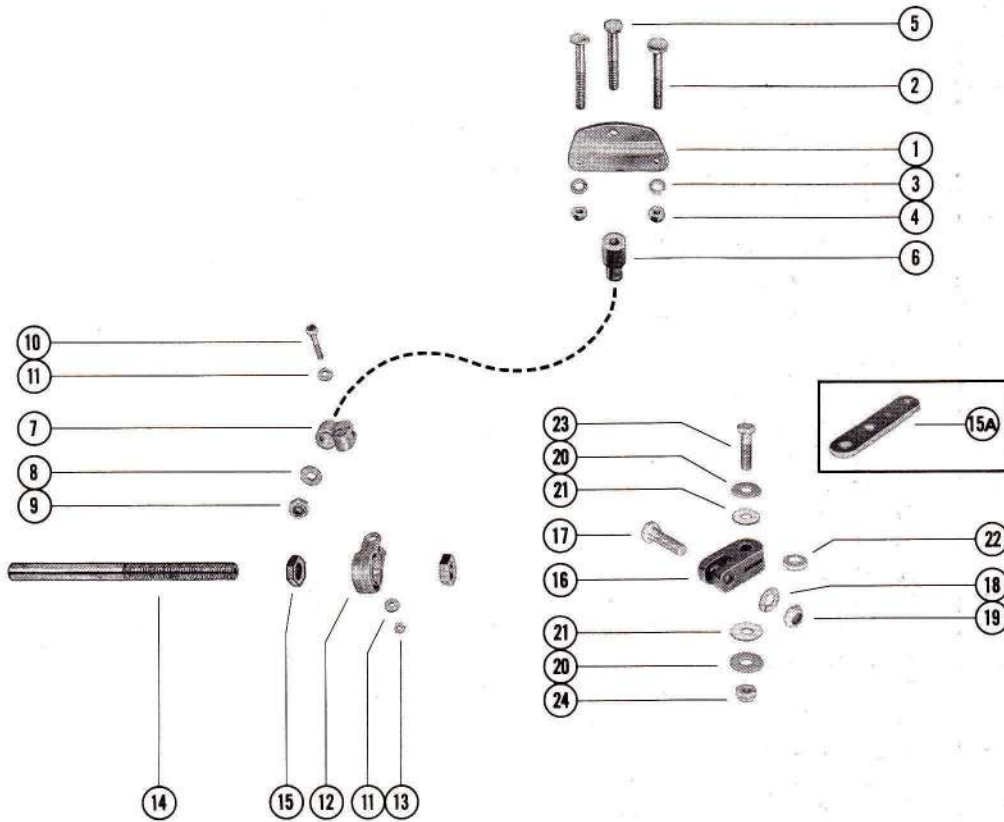
# RIDE-GUIDE STEERING KIT



RIDE-GUIDE STEERING KIT

PART NO.	REF. NO.	DESCRIPTION	C-49003A1	C-49003A2	C-49004A1	C-49004A2
●C-49003A1	-	Ride-Guide Steering Kit (20°) - <b>white</b>	1	-	-	-
●C-49003A2	-	Ride-Guide Steering Kit (20°) - <b>black</b>	-	1	-	-
●C-49004A1	-	Ride-Guide Steering Kit (90°) - <b>white</b>	-	-	1	-
●C-49004A2	-	Ride-Guide Steering Kit (90°) - <b>black</b>	-	-	-	1
●C-49055-1	1	Post, steering wheel mounting (20°) - <b>white</b>	1	-	-	-
●C-49055-2	1	Post, steering wheel mounting (20°) - <b>black</b>	-	1	-	-
●C-49053-1	1	Post, steering wheel mounting (90°) - <b>white</b>	-	-	1	-
●C-49053-2	1	Post, steering wheel mounting (90°) - <b>black</b>	-	-	-	1
C-37-32710	2	Strip, trim - steering post	1	1	1	1
C-23-29097	3	Bushing, nylon - steering post	1	1	1	1
C-10-29223	4	Bolt, steering wheel to steering post (10 7/8")	1	1	-	-
C-10-29400	4	Bolt, steering wheel to steering post (9 7/8")	-	-	1	1
C-16-29208	5	Stud, steering post to dashboard (2 1/2")	3	3	3	3
C-12-26825	6	Washer, steering post stud	3	3	3	3
C-11-21528	7	Nut, steering post stud	3	3	3	3
C-29220	8	Shaft, steering wheel (20°)	1	1	-	-
C-25890	8	Shaft, steering wheel (90°)	-	-	1	1
C-12-25897	9	Washer, shaft to gear rack housing (15/16" I. D.)	1	1	1	1
C-23-25901	10	Bushing, gear rack housing - splined	2	2	2	2
C-48226	11	Housing, gear rack	2	2	2	2
C-10-20784	12	Screw, gear rack housing clamping (1 1/2")	5	5	5	5
C-11-46887	13	Nut, gear rack clamping screw	5	5	5	5
C-26059	14	Cap, rubber - gear rack tube (open end)	1	1	1	1
C-25896	15	Tube, gear rack (open end)	1	1	1	1
C-25895A1	16	Tube, gear rack (cable end)	1	1	1	1
C-25887	17	Rack, gear	1	1	1	1
C-25898	18	Pinion, gear rack	1	1	1	1
C-10-48236	19	Screw, gear rack housing clamping (3 1/4")	2	2	2	2
C-13-48300	20	Lockwasher, gear rack clamping screw	2	2	2	2
C-12-48241	21	Washer, lower - housing bolt (13/32" I. D.)	1	1	1	1
C-11-23161	22	Nut, steering wheel to housing bolt	1	1	1	1

UNIVERSAL RIDE-GUIDE SINGLE ATTACHING KIT



PART NO.	REF. NO.	DESCRIPTION	QUAN.
●A-38047A9	-	Universal Ride-Guide Attaching Kit	1
●A-56035	1	Bracket, pivot block to boat transom	1
C-10-26483	2	Screw, transom bracket to boat transom (2 3/4")	2
C-13-26993	3	Lockwasher, transom bracket screw	2
C-11-21908	4	Nut, transom bracket screw	2
C-10-29096	5	Screw, transom bracket to pivot block (2 1/2")	1
C-23-28343	6	Spacer, pivot - transom bracket to pivot block	1
A-28190	7	Block, pivot	1
C-12-21040	8	Washer, transom bracket to pivot block screw	1
C-11-20509	9	Nut, transom bracket to pivot block screw	1
●C-10-56393	10	Screw, pivot block to yoke (1 3/4")	1
C-12-22248	11	Washer, pivot block screw	2
A-30700	12	Yoke, pivot block	1
C-11-20696	13	Nut, pivot block screw	1
C-32-35015	14	Tube, cable guide	1
C-11-37984	15	Nut, adjusting - cable guide tube	2
C-39119	15A	Bracket, mounting - engine to steering cable clevis ( <i>deleted in later kits</i> )	1
C-39118	16	Clevis, steering cable	1
C-10-35871	17	Screw, steering cable clevis to steering cable (1 1/2")	1
C-12-20553	18	Washer, steering cable clevis screw	1
C-11-20509	19	Nut, steering cable clevis screw	1
C-12-28105	20	Washer, steering arm screw	2
C-12-39116	21	Washer, nylon - steering arm screw	2
C-12-39304	22	Washer, spacer - steering arm screw	1
C-10-39318	23	Screw, steering arm to steering cable clevis (1 5/8")	1
C-10-49220	23	Screw, steering arm to steering cable clevis (2 1/4")	1
C-11-20509	24	Nut, steering arm screw	1