

REMOTE CONTROLS

ORDERING CHART:

Required number in parenthesis ()

	Models	Electric Engines			Standard Engines			Kits	
		Housing Assembly	Cable Assembly		Housing Assembly	Cable Assembly	Shorting Switch Assembly	Attaching Parts Kit	Dual Control Kit
NEW MERCURY CONTROL ASSEMBLY	Merc 1350, 1150, 800-1 (4 cyl.), 650-7	A-56290A (1) <i>(Page 62B)</i>	C-34555A (2) <i>(Page 31B)</i>						C-34766A2 (1) <i>(Page 44B)</i>
	Merc 1250-1, 1250, 1100-1, 1000-1-SS, 1000-SS, 950-1, 800 (4 cyl.), 650-6, 650-5, 650-4	A-45854A (1) <i>(Page 62B)</i>	C-34555A (2) <i>(Page 31B)</i>						C-34766A1 (1) <i>(Page 44B)</i>
	Merc 1100, 950, 650-3	A-39444A (1) <i>(Page 43B)</i>	C-34555A (2) <i>(Page 31B)</i>						C-34766A1 (1) <i>(Page 44B)</i>
	Merc 1000-2, 900, 850-1	A-34693A (1) <i>(Page 43B)</i>	C-34555A (2) <i>(Page 31B)</i>						C-34766A1 (1) <i>(Page 44B)</i>
	Merc 650-2	A-34742A (1) <i>(Page 43B)</i>	C-34555A (2) <i>(Page 31B)</i>						C-34766A1 (1) <i>(Page 44B)</i>
	Merc 500-9, #400 (4 cyl.)	A-56290A (1) <i>(Page 62B)</i>	C-34555A (2) <i>(Page 31B)</i>	A-45955A5 (1) <i>(Page 40B)</i>	C-34555A (2) <i>(Page 31B)</i>	A-48393A (1) <i>(Page 33B)</i>			C-34766A2 (1) <i>(Page 44B)</i>
	Merc 500-8, 500-7	A-45854A (1) <i>(Page 62B)</i>	C-34555A (2) <i>(Page 31B)</i>	A-45955A2 (1) <i>(Page 40B)</i>	C-34555A (2) <i>(Page 31B)</i>	A-48393A (1) <i>(Page 33B)</i>			C-34766A1 (1) <i>(Page 44B)</i>
	Merc 500-6	A-45854A (1) <i>(Page 62B)</i>	C-34555A (2) <i>(Page 31B)</i>	A-45955A2 (1) <i>(Page 40B)</i>	C-34555A (2) <i>(Page 31B)</i>	A-35491A (1) <i>(Page 33B)</i>			C-34766A1 (1) <i>(Page 44B)</i>
	Merc 500-5	A-39444A (1) <i>(Page 43B)</i>	C-34555A (2) <i>(Page 31B)</i>	A-34741A1 (1) <i>(Page 40B)</i>	C-34555A (2) <i>(Page 31B)</i>	A-35491A (1) <i>(Page 33B)</i>			C-34766A1 (1) <i>(Page 44B)</i>
	Merc 500-4, 500-3	A-34742A (1) <i>(Page 43B)</i>	C-34555A (2) <i>(Page 31B)</i>	A-34741A1 (1) <i>(Page 40B)</i>	C-34555A (2) <i>(Page 31B)</i>	A-35491A (1) <i>(Page 33B)</i>			C-34766A1 (1) <i>(Page 44B)</i>
	*Merc 350-6, 350-5, 350-4 (2-cylinder)	A-45957A (1) <i>(Page 62B)</i>	C-34555A (2) <i>(Page 31B)</i>	A-45955A2 (1) <i>(Page 40B)</i>	C-34555A (2) <i>(Page 31B)</i>	A-35490A (1) <i>(Page 33B)</i>			C-34766A1 (1) <i>(Page 44B)</i>
	*Merc 350 (2-cylinder)	A-34743A (1) <i>(Page 43B)</i>	C-34555A (2) <i>(Page 31B)</i>	A-34741A1 (1) <i>(Page 40B)</i>	C-34555A (2) <i>(Page 31B)</i>	A-35490A (1) <i>(Page 33B)</i>			C-34766A1 (1) <i>(Page 44B)</i>
	#Merc 200 (Serial #291679 and up)	A-59369A (1) <i>(Page 65B)</i>	C-34555A (2) <i>(Page 31B)</i>	A-59369A1 (1) <i>(Page 40B)</i>	C-34555A (2) <i>(Page 31B)</i>	A-57616A (1) <i>(Page 33B)</i>	A-46455A2 (1) <i>(Page 57B)</i>		C-34766A2 (1) <i>(Page 44B)</i>
	#Merc 200 (Serial #282767 thru #2893435)	A-57617A (1) <i>(Page 62B)</i>	C-34555A (2) <i>(Page 31B)</i>	A-45955A5 (1) <i>(Page 40B)</i>	C-34555A (2) <i>(Page 31B)</i>	A-57616A (1) <i>(Page 33B)</i>	A-46455A2 (1) <i>(Page 57B)</i>		C-34766A2 (1) <i>(Page 44B)</i>
	#Merc 200-6, 200-5 (Full Gear Skis)	A-45957A (1) <i>(Page 62B)</i>	C-34555A (2) <i>(Page 31B)</i>	A-45955A2 (1) <i>(Page 40B)</i>	C-34555A (2) <i>(Page 31B)</i>	A-35490A (1) <i>(Page 33B)</i>	A-46455A2 (1) <i>(Page 57B)</i>		C-34766A1 (1) <i>(Page 44B)</i>
	Merc 200-4 (Full Gear Skis)			A-45955A2 (1) <i>(Page 40B)</i>	C-34555A (2) <i>(Page 31B)</i>	A-35490A (1) <i>(Page 33B)</i>	A-46455A1 (1) <i>(Page 57B)</i>		C-34766A1 (1) <i>(Page 44B)</i>
	Merc 200-3 (Full Gear Skis)			A-34741A1 (1) <i>(Page 40B)</i>	C-34555A (2) <i>(Page 31B)</i>	A-35490A (1) <i>(Page 33B)</i>	A-39660A1 (1) <i>(Page 57B)</i>		C-34766A1 (1) <i>(Page 44B)</i>
	Merc 200 (Full Gear Skis)			A-34741A1 (1) <i>(Page 40B)</i>	C-34555A (2) <i>(Page 31B)</i>	A-35490A (1) <i>(Page 33B)</i>	A-30917A5 (1) <i>(Page 39B)</i>		C-34766A1 (1) <i>(Page 44B)</i>
	Merc 110 (Serial #3002814 and up) Merc 75 (Serial #3016591 and up)			A-59369A1 (1) <i>(Page 40B)</i>	C-34555A (2) <i>(Page 31B)</i>	A-57616A (1) <i>(Page 33B)</i>	A-39466A1 (1) <i>(Page 55B)</i>		C-34766A2 (1) <i>(Page 44B)</i>
	Merc 110 (Serial #2798937 thru #2938830) Merc 75 (Serial #2810637 thru #2958118)			A-45955A5 (1) <i>(Page 40B)</i>	C-34555A (2) <i>(Page 31B)</i>	A-57616A (1) <i>(Page 33B)</i>	A-39466A1 (1) <i>(Page 55B)</i>		C-34766A2 (1) <i>(Page 44B)</i>
Merc 110-8, 110-7, 110-6, 75, 60-7, 60-6			A-45955A2 (1) <i>(Page 40B)</i>	C-34555A (2) <i>(Page 31B)</i>	A-35490A (1) <i>(Page 33B)</i>	A-39466A1 (1) <i>(Page 55B)</i>		C-34766A1 (1) <i>(Page 44B)</i>	
Merc 110-5, 60-5			A-34741A1 (1) <i>(Page 40B)</i>	C-34555A (2) <i>(Page 31B)</i>	A-35490A (1) <i>(Page 33B)</i>	A-39466A1 (1) <i>(Page 55B)</i>		C-34766A1 (1) <i>(Page 44B)</i>	
Merc 40 (Serial #3028361 and up)			A-59369A1 (1) <i>(Page 40B)</i>	C-34555A (2) <i>(Page 31B)</i>		A-45350A1 (1) <i>(Page 58B)</i>		C-34766A1 (1) <i>(Page 44B)</i>	
Merc 40 (Serial #271622 thru #2927900)			A-45955A5 (1) <i>(Page 40B)</i>	C-34555A (2) <i>(Page 31B)</i>		A-45350A1 (1) <i>(Page 58B)</i>		C-34766A2 (1) <i>(Page 44B)</i>	
Merc 40, 39-4, 39-3			A-45955A2 (1) <i>(Page 40B)</i>	C-34555A (2) <i>(Page 31B)</i>	A-35490A (1) <i>(Page 33B)</i>	A-45350A1 (1) <i>(Page 58B)</i>		C-34766A1 (1) <i>(Page 44B)</i>	
Merc 39 (#1912759 thru #2080068)			A-34741A1 (1) <i>(Page 40B)</i>	C-34555A (2) <i>(Page 31B)</i>	A-35490A (1) <i>(Page 33B)</i>	A-45350A1 (1) <i>(Page 58B)</i>		C-34766A1 (1) <i>(Page 44B)</i>	
Merc 110, 60, 39			A-34741A1 (1) <i>(Page 40B)</i>	C-34555A (2) <i>(Page 31B)</i>	A-35490A (1) <i>(Page 33B)</i>	A-30917A3 (1) <i>(Page 36B)</i>		C-34766A1 (1) <i>(Page 44B)</i>	

* For Merc 350SL engines with steering handle, see Page 45B.

For Merc 200 and Merc 400 engines with electric starter kit, see Page 45B.

(continued)

REVISED DECEMBER 1970

ORDERING CHART: Continued

Models	Electric Engines		Standard Engines			Kits	
	Housing Assembly	Cable Assembly	Housing Assembly	Cable Assembly	Shorting Switch Assembly	Attaching Parts Kits	Dual Control Kit
Merc 1000, 850, 800, 700 <i>(Full Gear Shift)</i>	A-30470A__ (1) <i>(Page 28B)</i>	C-29564-_S (2) <i>(Page 31B)</i>	_____	_____	_____	_____	C-29700A1 (1) <i>(Page 21B)</i>
Merc 800, 700, 600 <i>(Direct - Reversing)</i>	A-29699A__ (1) <i>(Page 23B)</i>	C-29564-_S (1) <i>(Page 31B)</i>	_____	_____	_____	_____	A-29774A1 (1) <i>(Page 21B)</i>
Merc 650 <i>(Full Gear Shift)</i>	A-30062A__ (1) <i>(Page 27B)</i>	C-29564-_S (2) <i>(Page 31B)</i>	_____	_____	_____	_____	C-29700A1 (1) <i>(Page 21B)</i>
Merc 500, 450, 400, 350, 300	A-30062A__ (1) <i>(Page 27B)</i>	C-29564-_S (2) <i>(Page 31B)</i>	A-30063A1 (1) <i>(Page 24B)</i>	C-29564-_S (2) <i>(Page 31B)</i>	A-29649A__ (1) <i>(Page 33B)</i>	_____	C-29700A1 (1) <i>(Page 21B)</i>
Merc 350 <i>(2-cylinder)</i>	A-34215A__ (1) <i>(Page 27B)</i>	C-29564-_S (2) <i>(Page 31B)</i>	A-30063A1 (1) <i>(Page 24B)</i>	C-29564-_S (2) <i>(Page 31B)</i>	A-31051A__ (1) <i>(Page 33B)</i>	_____	C-29700A1 (1) <i>(Page 21B)</i>
Merc 200 <i>(Full Gear Shift)</i>	_____	_____	A-30063A1 (1) <i>(Page 24B)</i>	C-29564-_S (2) <i>(Page 31B)</i>	A-31051A__ (1) <i>(Page 33B)</i>	A-30917A5 (1) <i>(Page 39B)</i>	C-29700A1 (1) <i>(Page 21B)</i>
Merc 250, 200, 150, 100	_____	_____	A-29515A__ (1) <i>(Page 18B)</i>	<i>(Included with remote control)</i>	_____	_____	A-28923A1 (1) <i>(Page 20B)</i>
Merc 110, 60 <i>(above #1486473 on Merc 60)</i>	_____	_____	A-30063A1 (1) <i>(Page 24B)</i>	C-29564-_S (2) <i>(Page 31B)</i>	A-31051A__ (1) <i>(Page 33B)</i>	A-30917A3 (1) <i>(Page 36B)</i>	C-29700A1 (1) <i>(Page 21B)</i>
Merc 60 <i>(below #1486474)</i>	_____	_____	A-30063A1 (1) <i>(Page 24B)</i>	C-29564-_S (2) <i>(Page 31B)</i>	A-31051A__ (1) <i>(Page 33B)</i>	A-30917A2 (1) <i>(Page 35B)</i>	C-29700A1 (1) <i>(Page 21B)</i>
Mark 78A, 78, 75A, 75 <i>(see note below)</i>	A-28262A__ (1) <i>(Page 14B)</i>	A-20015-_S (1) <i>(Page 3B)</i>	_____	_____	_____	_____	_____
Mark 58A, 58, 55A, 35A	A-26790A__ (1) <i>(Page 17B)</i>	A-20015-_S (2) <i>(Page 3B)</i>	A-30063A1 (1) <i>(Page 24B)</i>	A-20015-_S (2) <i>(Page 3B)</i>	A-25763A__ (1) <i>(Page 4B)</i>	_____	_____
Mark 55 <i>(above #1090099)</i>	A-26790A__ (1) <i>(Page 17B)</i>	A-20015-_S (2) <i>(Page 3B)</i>	A-30063A1 (1) <i>(Page 24B)</i>	A-20015-_S (2) <i>(Page 3B)</i>	A-25763A__ (1) <i>(Page 4B)</i>	_____	_____
Mark 55 <i>(below #1090100)</i>	A-25675A__ (1) <i>(Page 9B)</i>	A-20015-_S (2) <i>(Page 3B)</i>	A-30063A1 (1) <i>(Page 24B)</i>	A-20015-_S (2) <i>(Page 3B)</i>	A-25763A__ (1) <i>(Page 4B)</i>	_____	_____
Mark 50	A-25675A__ (1) <i>(Page 9B)</i>	A-20015-_S (2) <i>(Page 3B)</i>	A-30063A1 (1) <i>(Page 24B)</i>	A-20015-_S (2) <i>(Page 3B)</i>	A-25763A__ (1) <i>(Page 4B)</i>	_____	_____
Mark 30 <i>(above #950249)</i>	A-25713A__ (1) <i>(Page 9B)</i>	A-20015-_S (2) <i>(Page 3B)</i>	A-30063A1 (1) <i>(Page 24B)</i>	A-20015-_S (2) <i>(Page 3B)</i>	A-25763A__ (1) <i>(Page 4B)</i>	_____	_____
Mark 30 <i>(below #950250)</i>	A-25713A__ (1) <i>(Page 9B)</i>	A-20015-_S (2) <i>(Page 3B)</i>	A-30063A1 (1) <i>(Page 24B)</i>	A-20015-_S (2) <i>(Page 3B)</i>	<i>(on engine)</i>	A-25557 (1) <i>(Page 6B)</i>	_____
Mark 25	A-25714A__ (1) <i>(Page 10B)</i>	A-20015-_S (2) <i>(Page 3B)</i>	A-30063A1 (1) <i>(Page 24B)</i>	A-20015-_S (2) <i>(Page 3B)</i>	_____	A-25560 (1) <i>(Page 6B)</i>	_____
Mark 20 <i>(above #754096)</i>	_____	_____	A-30063A1 (1) <i>(Page 24B)</i>	A-20015-_S (2) <i>(Page 3B)</i>	_____	A-25558 (1) <i>(Page 5B)</i>	_____
Mark 20 <i>(below #754097)</i>	_____	_____	A-30063A1 (1) <i>(Page 24B)</i>	A-20015-_S (2) <i>(Page 3B)</i>	_____	A-25559 (1) <i>(Page 5B)</i>	_____
Mark 15, KH7	_____	_____	A-30063A1 (1) <i>(Page 24B)</i>	A-20015-_S (2) <i>(Page 3B)</i>	_____	<i>(see Page 5B)</i>	_____
Mark 28A, 28, 15A	_____	_____	A-29515A__ (1) <i>(Page 18B)</i>	<i>(included with remote control)</i>	_____	_____	A-28923A1 (1) <i>(Page 20B)</i>
Mark 10A, 10	_____	_____	A-29515A__ (1) <i>(Page 18B)</i>	<i>(included with remote control)</i>	_____	A-27759A1 (1) <i>(Page 18B)</i>	A-28923A1 (1) <i>(Page 20B)</i>

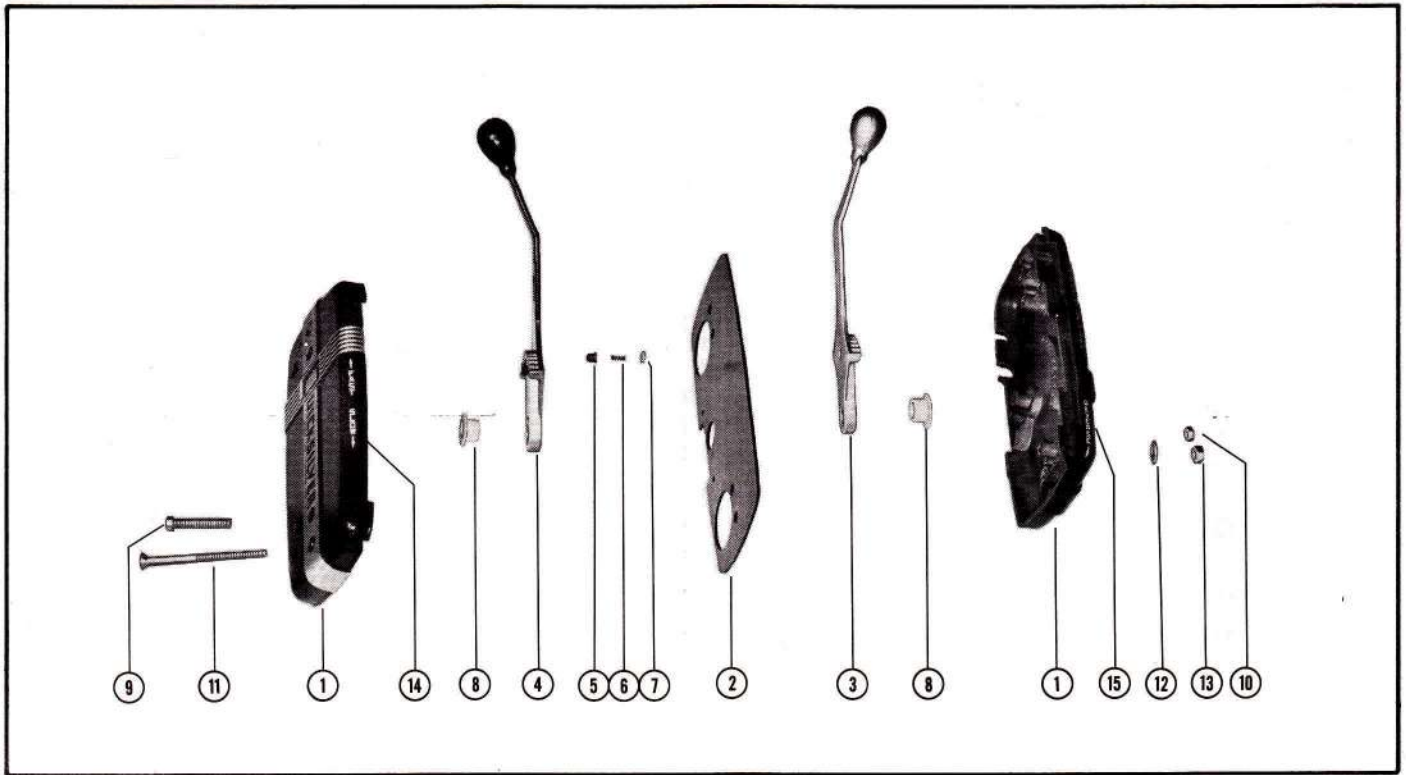
NOTE: On early Mark 75 engines, A-26482A__ Electric Remote Control was used, for reference - see Page 13B.

Required number in parenthesis ().

Extension Kit C-29377A1 for Remote Control Cables beyond 40' lengths - see Page 32B.

Revised February 1967

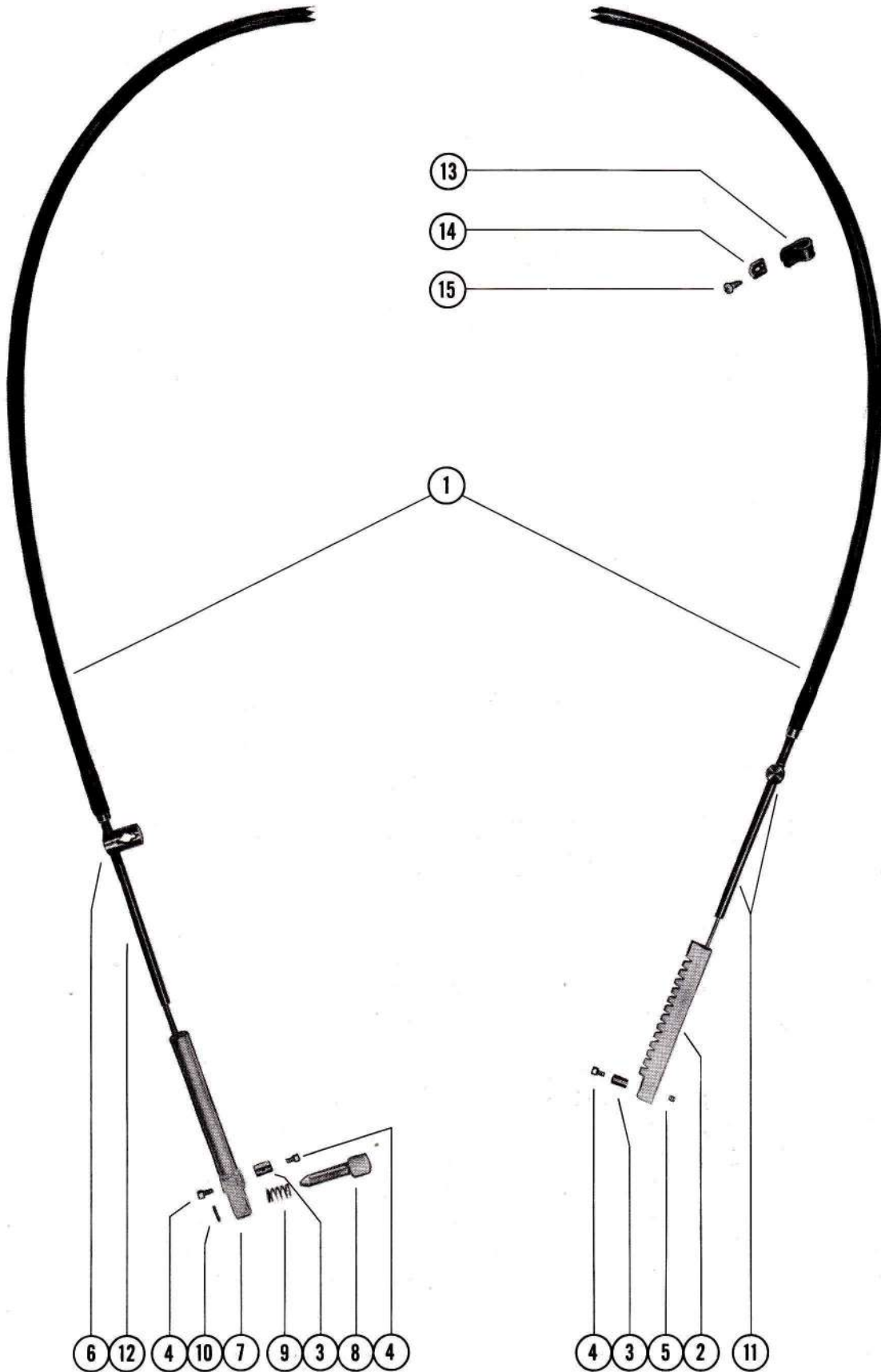
REMOTE CONTROL HOUSING ASSEMBLY



REMOTE CONTROL HOUSING ASSEMBLY

PART NO.	REF. NO.	DESCRIPTION	QUAN.
A-20002A34	-	Remote Control Housing Assembly	1
A-20002	1	Housing, front and rear half	2
A-22629	2	Plate, housing divider	1
A-23870	3	Arm, shift (<i>curved handle</i>)	1
A-26063	3	Arm, shift (<i>straight handle</i>)	1
A-24870A1	4	Throttle Arm Assembly (<i>curved handle</i>)	1
A-26063A1	4	Throttle Arm Assembly (<i>straight handle</i>)	1
C-17-20009	5	Pin, detent	1
C-24-20010	6	Spring, detent pin	1
C-19-20011	7	Welch Plug, detent pin	1
A-23-20008	8	Bushing, throttle and shift arm	2
C-10-20012	9	Screw, housing clamping	2
C-11-20013	10	Nut, housing clamping screw	2
C-10-20330	11	Screw, remote control housing to boat	2
C-12-20346	12	Washer, remote control housing screw	2
C-11-20184	13	Nut, remote control housing screw	2
A-37-20606	14	Decal, throttle	1
A-37-20607	15	Decal, shift	1

REMOTE CONTROL CABLE ASSEMBLY



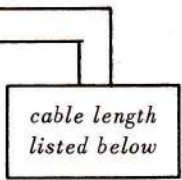
REMOTE CONTROL CABLE ASSEMBLY

PART NO.	REF. NO.	DESCRIPTION	QUAN.
A-20015-S	1	Remote Control Cable Assembly <i>(see cable lengths listed below)</i>	1
A-25053	2	Gear Rack, nylon	1
C-20007	3	Anchor, cable end - gear rack	1
C-10-20518	4	Screw, set - cable end anchor	1
C-10-20014	5	Screw, allen - cable end anchor	1
C-20552	6	Connector, throttle and shift	1
C-20175	7	Guide, cable control end	1
C-20007	3	Anchor, cable end guide	1
C-10-20518	4	Screw, set - cable end guide	2
C-17-29996	8	Pin, cable end guide	1
C-24-20099	9	Spring, cable end guide pin	1
C-17-23757	10	Roll Pin, cable end guide pin	1
A-22929A1	11	Trunnion and Insert Assembly (brass)	1
A-22929	12	Insert, cable end tube (brass)	1
C-54-22740	13	Clip, control cable to boat	1
C-22789	14	"D" Washer, clip fastening screw	1
C-10-22793	15	Screw, control cable clip fastening	1
C-25260	--	Inner Wire, remote control cable (100 ft. roll)	-

Order in the following cable lengths: -5S, -7S, -9S, -10S, -11S, -12S, -13S, -14S, -15S, -16S, -17S and -18S.

REMOTE CONTROL CABLE ASSEMBLY (EXTENSION KIT)

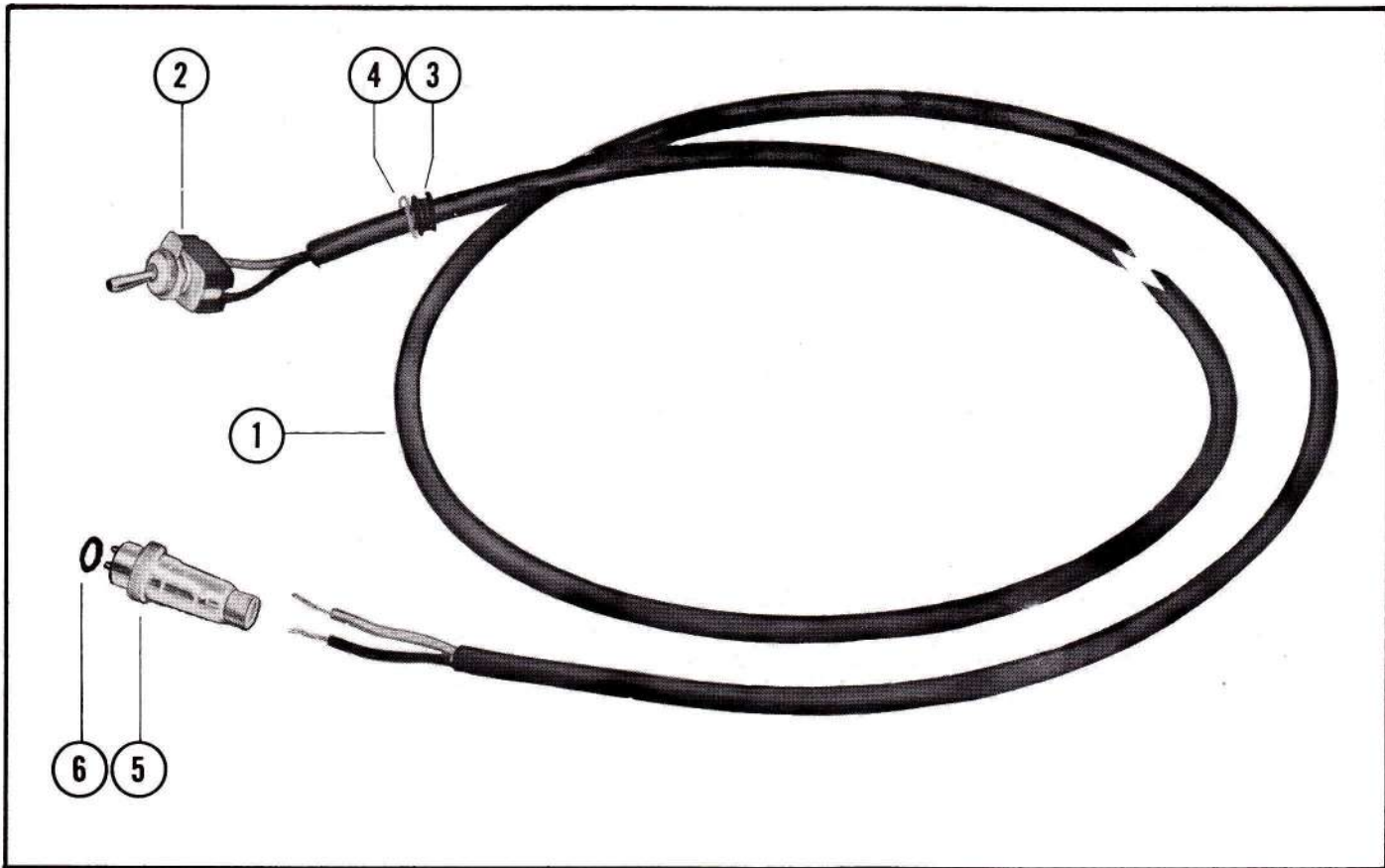
PART NO.	REF. NO.	DESCRIPTION		
			A-29427A	A-29428A
A-29427A	1	Remote Control Cable Ass'y (control end)	1	-
A-29428A	1	Remote Control Cable Ass'y (engine end)	-	1
A-25053	2	Gear Rack, nylon	1	-
C-20007	3	Anchor, cable end - gear rack	1	-
C-10-20518	4	Screw, set - cable end anchor	1	-
C-10-20014	5	Screw, allen - cable end anchor	1	-
C-20552	6	Connector, throttle and shift	1	2
C-20175	7	Guide, cable control end	1	2
C-20007	3	Anchor, cable end guide	1	2
C-10-20518	4	Screw, set - cable end guide	2	4
C-17-29996	8	Pin, cable end guide	-	1
C-24-20099	9	Spring, cable end guide pin	-	1
C-17-23757	10	Roll Pin, cable end guide pin	-	1
A-22929A1	11	Trunnion and Insert Assembly (brass)	1	1
A-22929	12	Insert, cable end tube (brass)	1	1
C-54-22740	13	Clip, control cable to boat	-	1
C-22789	14	"D" Washer, clip fastening screw	-	1
C-10-22793	15	Screw, control cable clip fastening	-	1
C-25260	--	Inner Wire, remote control cable (100 ft. roll)	-	-



Order A-29427A in the following cable lengths: A3, A5, A6, A7, A8, A9 and A10.

Order A-29428A in the following cable lengths: A4, A5, A6, A7, A8, A9 and A10.

MAGNETO SHORTING SWITCH ASSEMBLY



MAGNETO SHORTING SWITCH ASSEMBLY

PART NO.	REF. NO.	DESCRIPTION	QUAN.
A-25763A10	1	Magneto Shorting Switch Assembly (10 ft.)	1
A-25763A15	1	Magneto Shorting Switch Assembly (15 ft.)	1
A-25763A20	1	Magneto Shorting Switch Assembly (20 ft.)	1
A-29686	2	Switch, magneto shorting	1
C-11-25613	-	Nut, serrated - shorting switch	1
C-11-27052	-	Nut, hex - shorting switch	1
C-25-20116	3	Grommet, switch lead wire	1
C-18-21069	4	Cotter Hairpin, switch lead wire	1
A-21105	5	Connector, shorting switch lead wire	1
C-25-21706	6	"O" Ring, shorting switch connector	1

NOTE: Not required on Mark 30 engines where shorting switch is installed in bottom cowl.

REMOTE CONTROL ATTACHMENT PARTS KIT

PART NO.	DESCRIPTION	KH 7	MK 15	MK 20
A-20998A1	Vertical Shaft and Lever Assembly	1	-	-
C-17-20000	Pin, groove - vertical shaft	1	-	-
A-21074	Bracket, vertical shaft - lower	1	-	-
A-23-21072	Bushing, nylon - lower bracket	1	-	-
A-21073	Bracket, rear extension	1	-	-
A-20292	Bracket, shift holder	1	-	-
A-20403A1	Swivel Lock Assembly	1	-	-
C-11-20664	Nut, swivel lock fastening	1	-	-
C-10-20293	Screw, holder bracket to cross shaft bracket	1	-	-
C-11-20110	Nut, holder bracket screw	1	-	-
A-17-20021	Pin, shift lever	1	-	-
C-11-20110	Nut, shift lever pin	1	-	-
C-90-21921	Template, cowl cutting (KH7)	1	-	-
<hr/>				
A-21109A1	Vertical Shaft and Lever Assembly	-	1	-
C-17-20000	Pin, groove - vertical shaft	-	1	-
A-25559	Remote Control Attachment Parts Kit <i>(see note below)</i>	-	-	1
A-20022A1	Vertical Shaft and Lever Assembly	-	-	1
C-17-20000	Pin, groove - vertical shaft	-	-	1
A-20292	Bracket, shift holder	-	1	1
A-20403A1	Swivel Lock Assembly	-	1	1
C-11-20664	Nut, swivel lock fastening	-	1	1
C-10-20293	Screw, holder bracket to cross shaft bracket	-	1	1
C-11-20110	Nut, holder bracket screw	-	1	1
A-17-20021	Pin, shift lever	-	1	1
C-11-20110	Nut, shift lever pin	-	1	1
A-20557	Bracket, cable end anchor	-	1	1
C-10-20100	Screw, anchor bracket to cowl	-	2	2
C-13-20554	Lockwasher, anchor bracket screw	-	2	2
A-20020A1	Vertical Connector Assembly	-	1	1
C-17-23928	Pin, roll - clevis clip	-	1	1
C-11-20101	Nut, vertical connector adjusting	-	1	1
C-90-20111	Template, cowl cutting (Mark 15 and Mark 20)	-	1	1
<hr/>				
A-25558	Remote Control Attachment Parts Kit <i>(see note below)</i>	-	-	1
A-20020A1	Vertical Connector Assembly	-	-	1
C-17-23928	Pin, roll - clevis clip	-	-	1
C-11-20101	Nut, vertical connector adjusting	-	-	1
A-20580A2	Holder Assembly	-	-	1
A-23-20105	Bushing, holder to cross shaft bracket	-	-	1
C-12-20103	Washer, holder	-	-	1
C-11-20102	Nut, holder	-	-	1
A-17-20021	Pin, shift lever	-	-	1
C-11-20110	Nut, shift lever pin	-	-	1
A-20557	Bracket, cable end anchor	-	-	1
C-10-20100	Screw, anchor bracket to cowl	-	-	2
C-13-20554	Lockwasher, anchor bracket screw	-	-	2
C-90-20111	Template, cowl cutting (Mark 20)	-	-	1

NOTE: Use A-25558 parts kit on all Mark 20 engines above Serial #754096 and A-25559 parts kit on all Mark 20 engines below Serial #754097.

REMOTE CONTROL ATTACHMENT PARTS KIT

PART NO.	REF. NO.	DESCRIPTION	MARK 30
A-25557	-	Remote Control Attachment Parts Kit	*1
A-20557	1	Bracket, cable end anchor	1
C-10-20100	2	Screw, anchor bracket to bottom cowl	2
C-13-20554	3	Lockwasher, anchor bracket screw	2
A-17-30978A1	4	Clevis Yoke Pin Assembly	1
C-17-23928	5	Roll Pin, clevis yoke pin	1
C-10-20584	6	Screw, clevis yoke pin to shift lever	1
C-12-25386	8	Washer, clevis yoke pin screw	1
C-11-20110	9	Nut, clevis yoke pin screw	1
A-23-21008A1	-	Bushing Assembly, remote shift lever	1
A-23-21008	10	Bushing, steel	1
A-23-20008	11	Bushing, nylon	1
A-25379A1	12	Remote Shift Lever Assembly	1
A-23-26569	--	Bushing, nylon - remote shift lever	1
C-10-21077	13	Screw, remote shift lever to bottom cowl	1
C-12-21040	14	Washer, remote shift lever screw	1
A-25362	15	Rod, link - shift lever to control lever	1
C-13-21067	16	Wave Washer, link rod shift lever end	1
C-12-26014	17	Washer, link rod	2
C-18-20180	18	Cotter Pin, link rod	2
A-25480	19	Lever, remote throttle <i>(use on cross shaft with splined end)</i>	1
A-25869	19	Lever, remote throttle <i>(use on cross shaft with tapered end)</i>	1
C-12-20583	20	Washer, remote throttle lever	1
C-18-26953	21	Cotter Pin, throttle lever to cross shaft	1
A-25482A1	22	Bracket and Roll Pin Assembly	1
C-17-23928	23	Roll Pin, cable anchor bracket	1
C-10-21625	24	Screw, anchor bracket to bottom cowl (short)	1
C-10-21937	25	Screw, anchor bracket to bottom cowl (long)	1
C-11-20184	26	Nut, anchor bracket screw	2
A-20502A1	--	Swivel Assembly	1
A-20502	27	Swivel	1
C-24-20510	28	Spring, swivel pin	1
A-17-20503	29	Pin, swivel	1
C-17-23928	30	Roll Pin, swivel pin	1

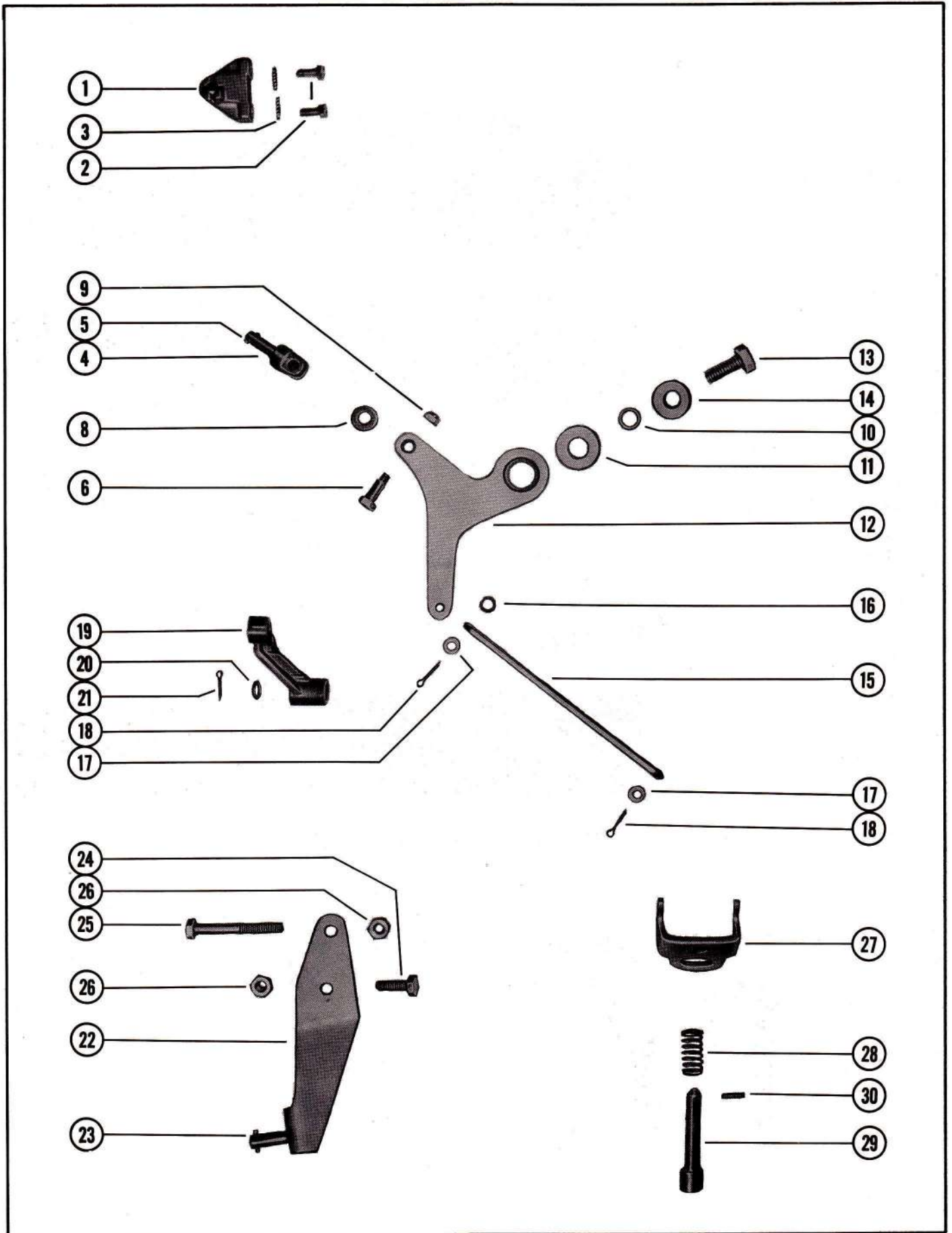
* Use on all Mark 30 standard engines below Serial #950250.

REMOTE CONTROL ATTACHMENT PARTS KIT

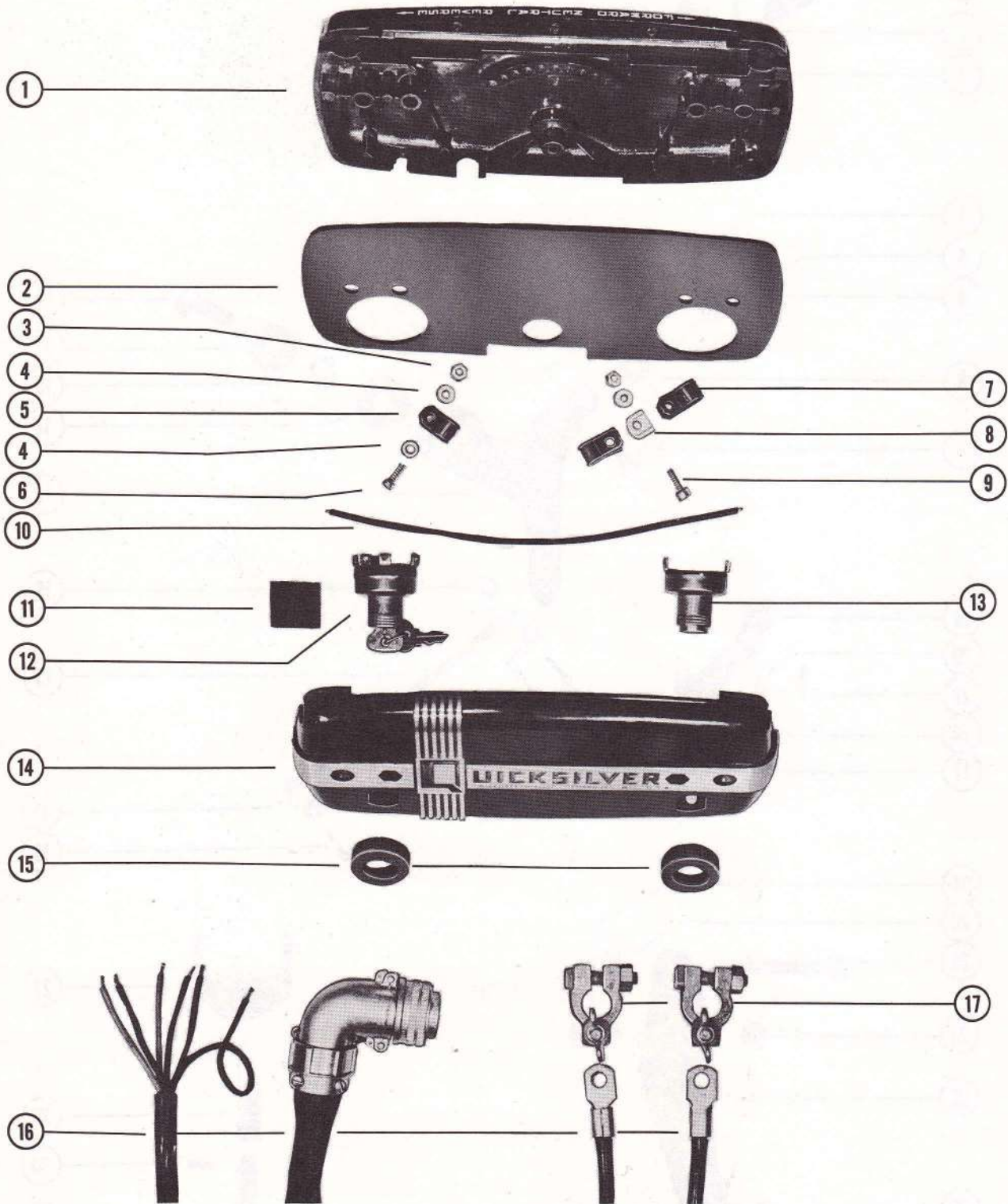
PART NO.	REF. NO.	DESCRIPTION	MARK 25
A-25560	-	Remote Control Attachment Parts Kit	1
A-20020A1	-	Vertical Connector Assembly	1
C-17-23928	-	Roll Pin	1
C-11-20101	-	Nut, vertical connector	1
A-20557	-	Bracket, cable end anchor	1
C-10-20100	-	Screw, anchor bracket to cowl	2
C-13-20554	-	Lockwasher, anchor bracket screw	2
A-25882A2	-	# Inside Steering Bar Assembly, Complete	1

See Section "C", for breakdown of Inside Steering Bar Assembly, Complete (A-25882A2)

REMOTE CONTROL ATTACHMENT PARTS KIT



REMOTE CONTROL ASSEMBLY (ELECTRIC)



REMOTE CONTROL ASSEMBLY (ELECTRIC)

PART NO.	REF. NO.	DESCRIPTION	A-25713A	A-25675A
A-25713A5-A18	-	Electric Remote Control Assembly (5 ft. thru 18 ft.)	1	-
A-25675A5-A18	-	Electric Remote Control Assembly (5 ft. thru 18 ft.)	-	@1
A-20002	1	Housing, rear half	1	1
A-22629	2	Plate, housing divider	1	1
C-11-21923	3	Nut, cable clip fastening screw	2	2
C-12-20192	4	Washer, cable clip fastening screw	4	4
C-54-22626	5	Clip, cable - choke wire to plate	2	2
C-10-22625	6	Screw, cable clip fastening	1	1
C-54-22875	7	Clip, cable - wiring harness to plate	1	1
C-22789	8	"D" Washer, cable clip fastening screw	1	1
C-10-24090	9	Screw, cable clip fastening	1	1
A-22611	10	Wire, choke to starter switch	1	1
A-22624	11	Cap, insulating - starter switch	1	1
C-30162	12	Switch, starter (with keys) <i>Key Part #C-30431</i> {when ordering replacement keys also list number stamped on key}	1	1
A-22568	13	Switch, choke	1	1
A-22631	14	Housing, front half	1	1
A-22628	15	Bezel, starter and choke switch	2	2
A-25713-2	16	Wiring Harness (5 and 7 foot controls) } N. L. A.-order part #A-25713-6	1	-
A-25713-4	16	Wiring Harness (9 and 11 foot controls) } N. L. A.-order part #A-25713-6	1	-
A-25713-6	16	Wiring Harness (14 and 18 foot controls) } N. L. A.-order part #A-25713-6	1	-
A-25675-2	16	Wiring Harness (5 and 7 foot controls) } N. L. A.-order part #A-25675-6	-	1
A-25675-4	16	Wiring Harness (9 and 11 foot controls) } N. L. A.-order part #A-25675-6	-	1
A-25675-6	16	Wiring Harness (14 and 18 foot controls) } N. L. A.-order part #A-25675-6	-	1
A-26019	--	Connector, electrical harness (Straight)	1	-
C-12-24943	--	Washer, rubber sealing - wiring harness	1	1
A-27912	17	Terminal, battery (with bolt and nut) <i>positive</i>	1	1
A-27913	17	Terminal, battery (with bolt and nut) <i>negative</i>	1	1
A-25117	--	Tube, plastic - choke to starter wire	1	1
A-23-20008	--	*Bushing, nylon - throttle and shift arm	2	2
A-23870	--	*Arm, shift	1	1
A-24870A1	--	*Throttle Arm Assembly	1	1
C-17-20009	--	*Pin, detent	1	1
C-24-20010	--	*Spring, detent pin	1	1
C-19-20011	--	*Welch Plug, detent pin	1	1
C-10-20012	--	*Screw, housing clamping	2	2
C-11-20013	--	*Nut, housing clamping screw	2	2
C-10-20330	--	*Screw, remote control housing to boat	2	2
C-12-20346	--	*Washer, remote control housing screw	2	2
C-11-20184	--	*Nut, remote control housing screw	2	2
A-37-20606	--	*Decal, throttle	1	1
A-37-20607	--	*Decal, shift	1	1
A-20015-S	--	*Remote Control Cable Assembly (for parts list - see Page 3B)	2	2
C-54-22690	--	Clip, cable - wiring harness	1	1
C-22789	--	"D" Washer, wiring harness screw	1	1
C-10-22793	--	Screw, wiring harness clip to boat	1	1
A-20502A1	--	Swivel Assembly	1	-
A-20502	--	Swivel	1	-
C-24-20510	--	Spring, swivel pin	1	-
A-17-20503	--	Pin, swivel	1	-
C-17-23928	--	Roll Pin, swivel pin	1	-

@Use on Mark 55E engines up to and including Serial #1090099. For Mark 55E engines above Serial #1090099, see Page 17B when ordering Electric Remote Control Assembly.

*Parts also listed and shown with Standard Remote Control, Page 1B.

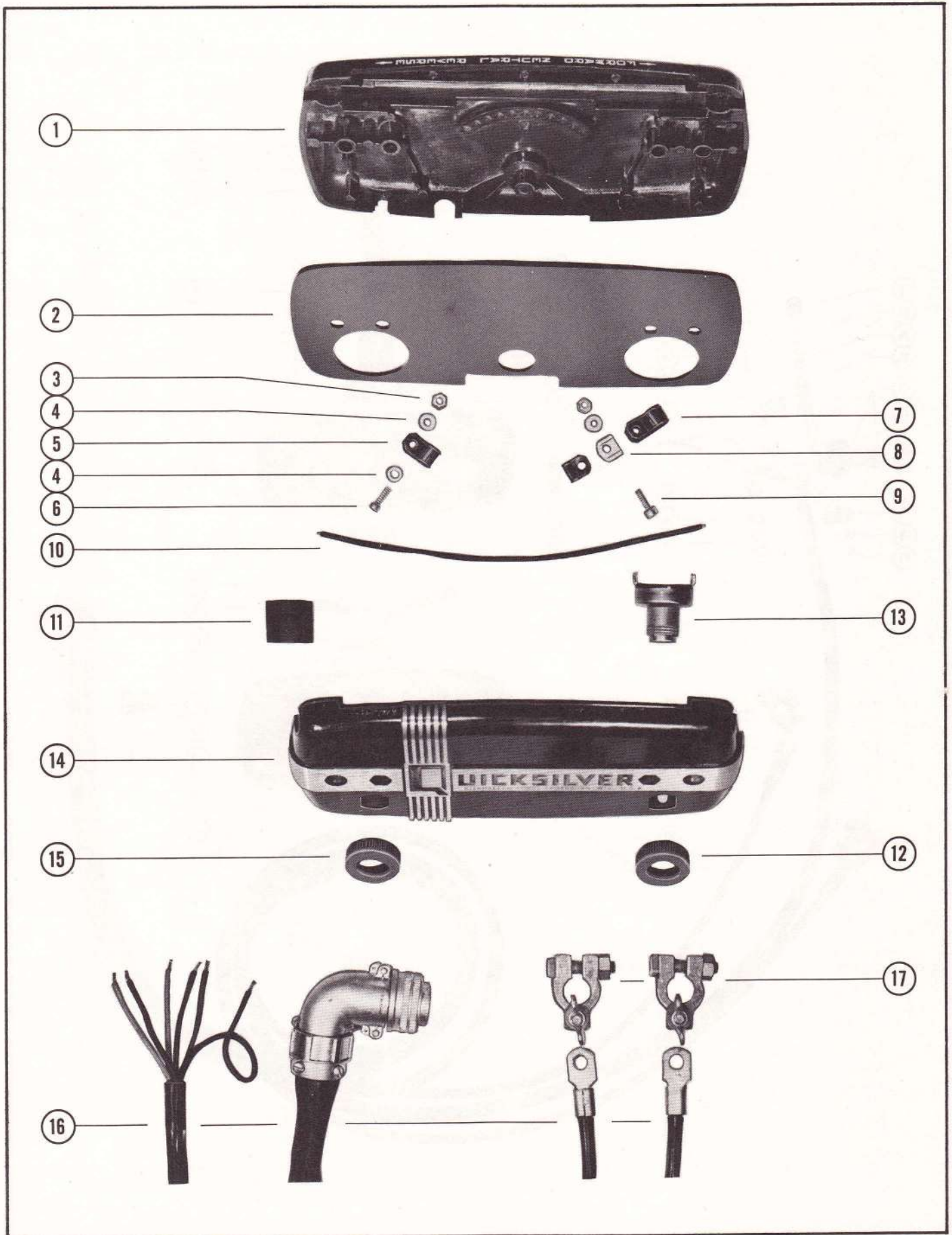
REMOTE CONTROL ASSEMBLY (ELECTRIC)

PART NO.	REF. NO.	DESCRIPTION	QUAN.
A-25714A5	-	Electric Remote Control Assembly (5 ft.)	1
A-25714A7	-	Electric Remote Control Assembly (7 ft.)	1
A-25714A9	-	Electric Remote Control Assembly (9 ft.)	1
A-25714A11	-	Electric Remote Control Assembly (11 ft.)	1
A-25714A14	-	Electric Remote Control Assembly (14 ft.)	1
A-25714A18	-	Electric Remote Control Assembly (18 ft.)	1
A-20002	1	Housing, rear half	1
A-22629	2	Plate, housing divider	1
C-11-21923	3	Nut, cable clip fastening screw	2
C-12-20192	4	Washer, cable clip fastening screw	4
C-54-22626	5	Clip, cable - choke wire to plate	2
C-10-22625	6	Screw, cable clip fastening	1
C-54-22740	7	Clip, cable - wiring harness to plate	1
C-22789	8	"D" Washer, cable clip fastening screw	1
C-10-24090	9	Screw, cable clip fastening	1
A-23882	10	Wire, choke to starter switch	1
A-22624	11	Cap, insulating - starter and choke switch	2
A-22628	12	Bezel, choke button	1
A-22568	13	Button, starter and choke switch control	2
A-22631	14	Housing, front half	1
A-24960	15	Bezel, starter button (red)	1
A-25714-2	16	Wiring Harness (5 and 7 foot controls)	1
A-25714-4	16	Wiring Harness (9 and 11 foot controls)	1
A-25714-6	16	Wiring Harness (14 and 18 foot controls)	1
C-12-24943	--	Washer, rubber sealing - wiring harness	1
A-27912	17	Terminal, battery (with bolt and nut) <i>positive</i>	1
A-27913	17	Terminal, battery (with bolt and nut) <i>negative</i>	1
A-25117	--	Tube, plastic - choke to starter wire	1
A-23-20008	--	*Bushing, nylon - throttle and shift arm	2
A-23870	--	*Arm, shift	1
A-24870A1	--	*Throttle Arm Assembly	1
C-17-20009	--	*Pin, detent	1
C-24-20010	--	*Spring, detent pin	1
C-19-20011	--	*Welch Plug, detent pin	1
C-10-20012	--	*Screw, housing clamping	2
C-11-20013	--	*Nut, housing clamping screw	2
C-10-20330	--	*Screw, remote control housing to boat	2
C-12-20346	--	*Washer, remote control housing screw	2
C-11-20184	--	*Nut, remote control housing screw	2
A-20015-S	--	Remote Control Cable Assembly (<i>for parts list - see Page 3B</i>)	2
A-20557	--	Bracket, cable end anchor	1
C-13-20554	--	Lockwasher, cable end bracket screw	2
C-10-20100	--	Screw, cable end bracket to cowl	2
A-20020A1	--	Vertical Connector Assembly	1
C-17-23928	--	Roll Pin, vertical connector	1
C-11-20101	--	Nut, vertical connector adjusting	1
A-37-20606	--	*Decal, throttle	1
A-37-20607	--	*Decal, shift	1
C-54-22690	--	Clip, cable - wiring harness	1
C-22789	--	"D" Washer, wiring harness screw	1
C-10-22793	--	Screw, wiring harness clip to boat	1
A-25882A2	--	Inside Steering Bar Assembly, Complete (<i>See Section "C" for parts list</i>)	1
A-25715	--	#Wiring Harness, battery to engine (<i>negative</i>)	1
C-12-24943	--	Washer, rubber sealing - wiring harness	1

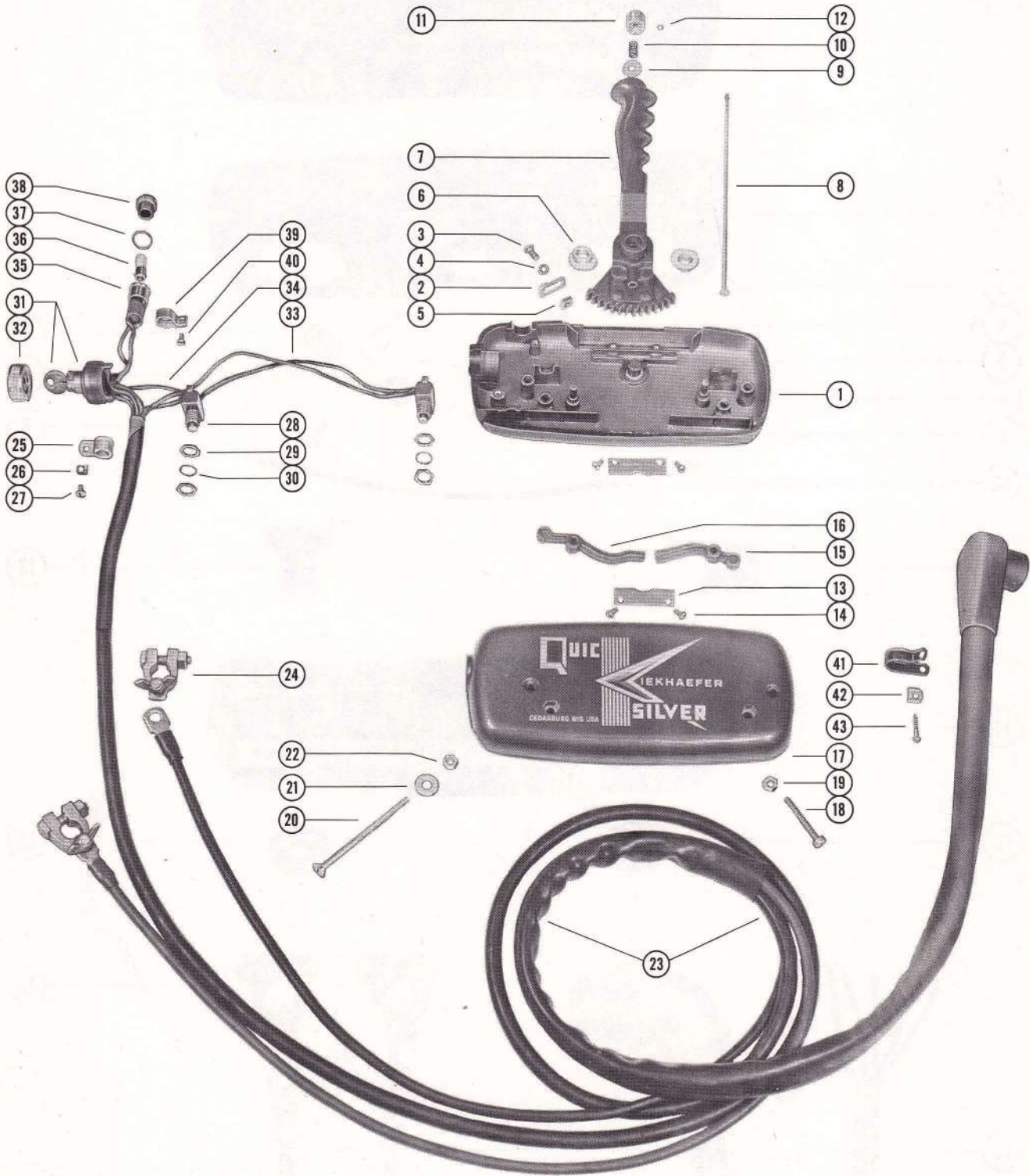
The above listed Wiring Harness (A-25715) can be used to connect electric starter with battery when remote controls are not desired.

* Parts also listed and shown with Standard Remote Control, Page 1B.

REMOTE CONTROL ASSEMBLY (ELECTRIC)



REMOTE CONTROL ASSEMBLY (ELECTRIC)



REMOTE CONTROL ASSEMBLY (ELECTRIC)

PART NO.	REF. NO.	DESCRIPTION	MK75 *	MK75 **
A-26482A9	-	Electric Remote Control Assembly (9 ft.)	1	1
A-26482A13	-	Electric Remote Control Assembly (13 ft.)	1	1
A-26482A20	-	Electric Remote Control Assembly (20 ft.)	1	1
A-26651	1	Housing, remote control (port half)	1	-
A-27911	1	Housing, remote control (port half)	-	1
A-26655	2	Plate, start and reverse adjustment	2	2
C-10-26670	3	Screw, adjustment plate to housing	2	2
C-13-26908	4	Lockwasher, adjustment plate screw	4	4
C-11-26669	5	Nut, adjustment plate screw	2	2
A-23-20008	6	Bushing, nylon - control lever	2	2
A-26648A2	7	Control Lever Assembly (see note below)	1	1
A-27909	8	Rod, push	1	1
C-12-20346	9	Washer, push rod spring	1	1
A-24-26985	10	Spring, starter button tension	1	1
A-26681	11	Button, starter	1	1
C-10-26920	12	Screw, starter button to push rod	1	1
A-28940A2	7	Control Lever Assembly (see note below)	1	1
A-28976	8	Rod, push	1	1
A-24-28939	-	Spring, control lever	1	1
A-28535	-	Button, starter	1	1
A-26667	13	Plate, retainer - gear rack	2	2
C-10-26668	14	Screw, retaining plate to housing	4	4
A-27908	15	Lever, reverse start	1	1
A-27907	16	Lever, forward start	1	1
A-26657	17	Housing, remote control (starboard half)	1	-
A-27910	17	Housing, remote control (starboard half)	-	1
C-10-20012	18	Screw, control housing clamping	2	2
C-11-20013	19	Nut, housing clamping screw	2	2
C-10-20330	20	Screw, control housing to boat	2	2
C-12-20346	21	Washer, control housing screw	2	2
C-11-20184	22	Nut, control housing screw	2	2
A-26482-2	23	Wiring Harness, external (9 ft.)	1	1
A-26482-4	23	Wiring Harness, external (13 ft.)	1	1
A-26482-6	23	Wiring Harness, external (20 ft.)	1	1
A-27912	24	Terminal, battery (with bolt and nut) <i>positive</i>	1	1
A-27913	24	Terminal, battery (with bolt and nut) <i>negative</i>	1	1
C-54-26685	25	Clip, external harness to housing	1	1
C-22789	26	"D" Washer, harness clip screw	1	1
C-10-26682	27	Screw, harness clip to housing	1	1
A-22568	28	Switch, forward and reverse start	2	-
A-27042	28	Switch, forward and reverse start	-	2
A-26680	--	Cover, rubber - switch	3	-
C-11-26679	29	Nut, forward and reverse switch	2	-
C-11-27052	29	Nut, forward and reverse switch	-	4
C-13-27053	30	Lockwasher, forward and reverse switch	-	2
C-30163	31	Switch, ignition (with keys)-Key Part #C-30431 {when ordering replacement keys also list number stamped on key}	1	1
A-22628	32	Bezel, ignition switch	1	1
A-26671	33	Wire, jumper - forward to reverse switch	1	1
A-26672	34	Wire, jumper - ignition to forward switch	1	3
A-27039	35	Socket, pilot light	-	1
A-27040	36	Bulb, pilot light	-	1
A-27-27038	37	Gasket, pilot light lens	-	2
A-27041	38	Lens, pilot light (red)	-	1
C-54-27133	39	Clamp, pilot light to housing	-	1
C-10-26668	40	Screw, pilot light clamp fastening	-	1
C-54-22690	41	Clamp, external harness cable to boat	1	1
C-22789	42	"D" Washer, harness cable clamp screw	1	1
C-10-22793	43	Screw, harness cable clamp to boat	1	1

A-26482A Remote Control No Longer Available. Order A-28262A Remote As Listed on Page 14B.

*Without pilot light (See note on Page 17B For Pilot Light Assembly)

** With pilot light

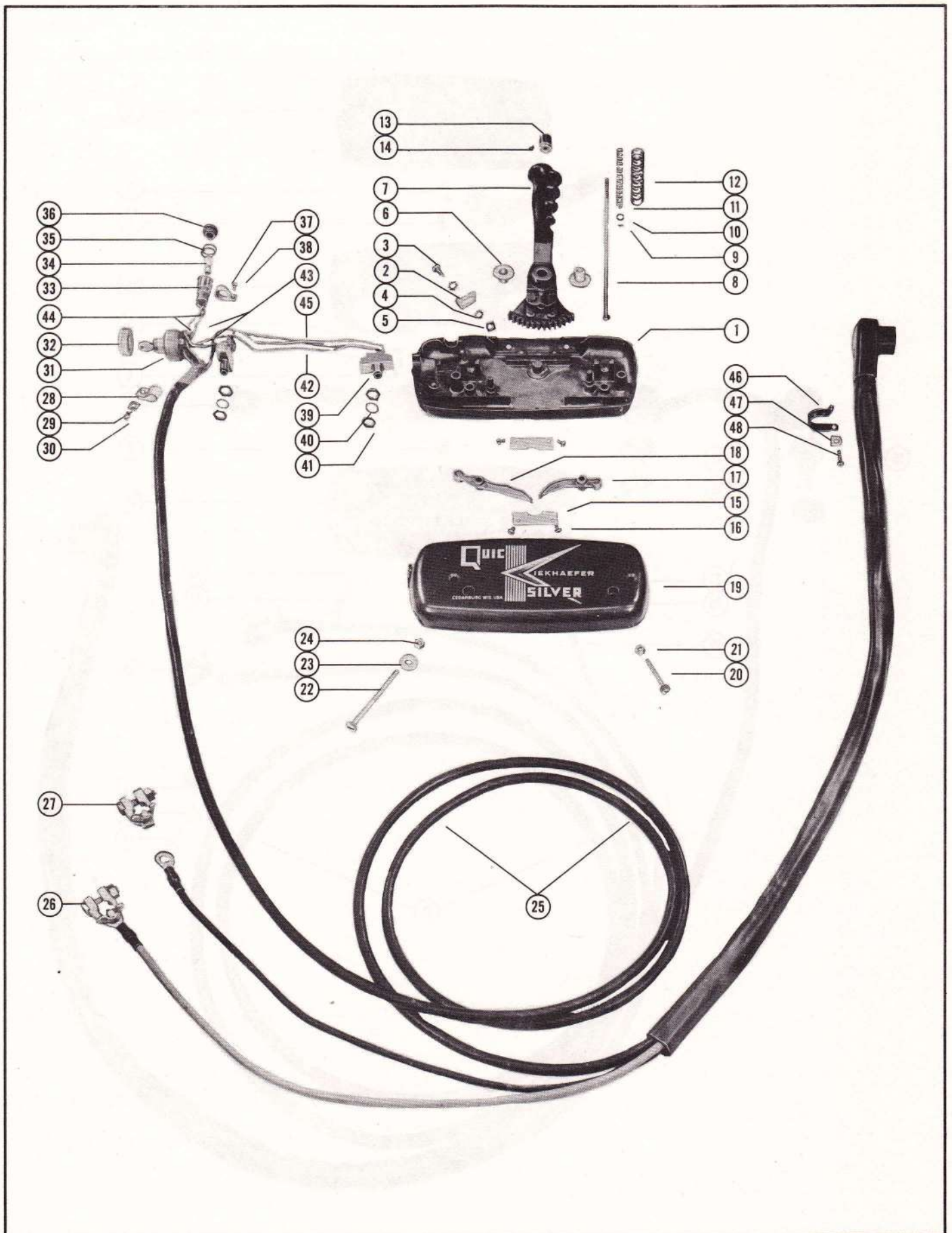
NOTE:A-26648A2 Control Lever Assembly is replaced by A-28940A2 Control Lever Assembly. All component parts are still available, so order your parts accordingly.

REMOTE CONTROL ASSEMBLY (ELECTRIC)

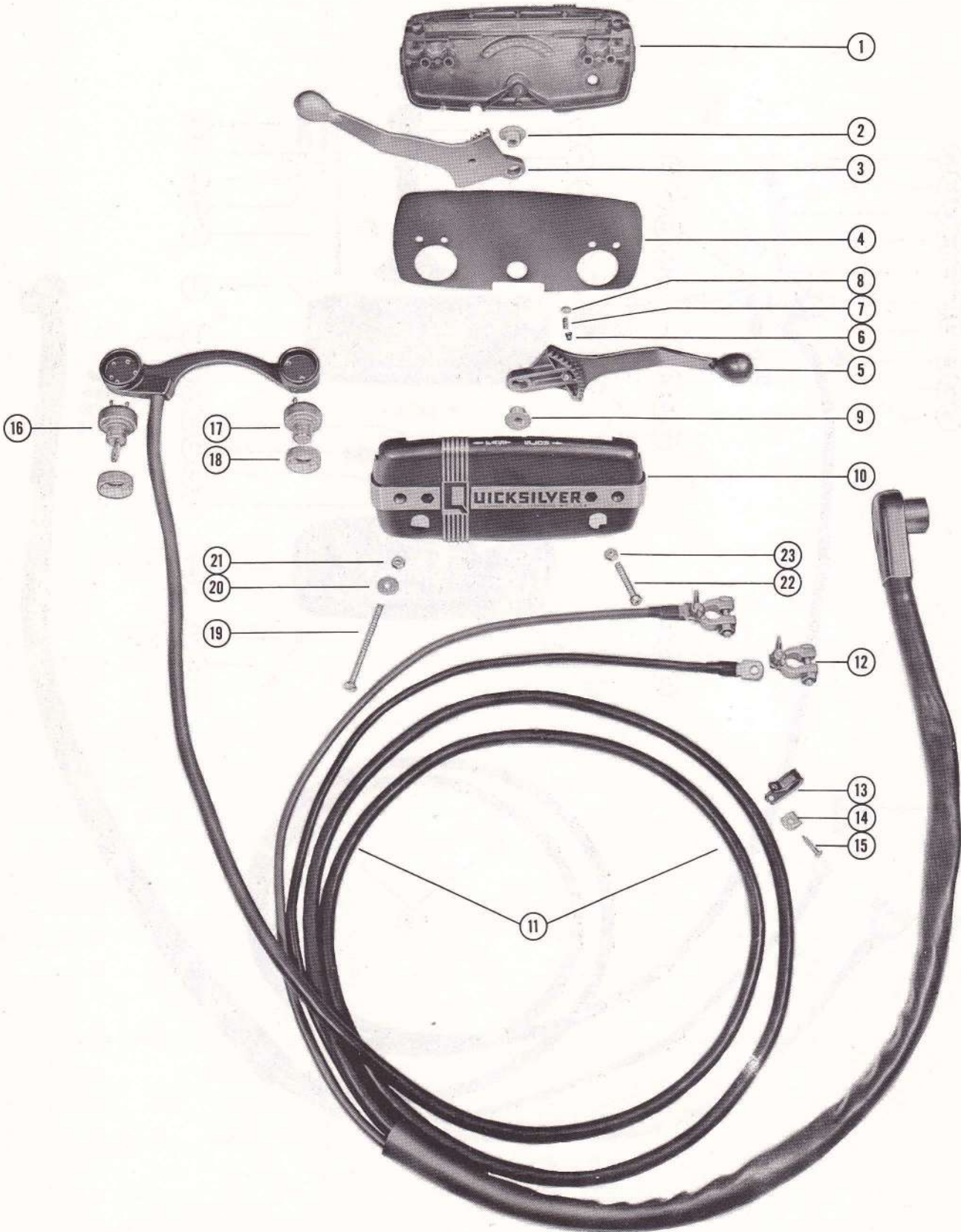
PART NO.	REF. NO.	DESCRIPTION	QUAN.
A-28262A10	-	Electric Remote Control Assembly (10 ft.)	1
A-28262A15	-	Electric Remote Control Assembly (15 ft.)	1
A-28262A20	-	Electric Remote Control Assembly (20 ft.)	1
A-27911	1	Housing, remote control (port half)	1
A-26655	2	Plate, start and reverse adjustment	2
C-10-26670	3	Screw, adjustment plate to housing	2
C-13-26908	4	Lockwasher, adjustment plate screw	4
C-11-26669	5	Nut, adjustment plate screw	2
A-23-20008	6	Bushing, nylon - control lever	2
A-27903A2	7	Control Lever Assembly (see note below)	1
A-27909	8	Rod, push	1
C-17-27737	9	Roll Pin, push rod	1
C-12-28001	10	Washer, push rod	1
A-24-27905	11	Spring, inner - control lever (small)	1
A-24-27904	12	Spring, outer - control lever (large)	1
A-28535	13	Button, starter	1
C-10-26920	14	Screw, set - starter button to push rod	1
A-28940A2	7	Control Lever Assembly (see note below)	1
A-28976	8	Rod, push	1
A-24-28939	-	Spring, control lever	1
A-28535	-	Button, starter	1
A-26667	15	Plate, retainer - gear rack	2
C-10-26668	16	Screw, retainer plate to housing	4
A-27908	17	Lever, reverse start	1
A-27907	18	Lever, forward start	1
A-27910	19	Housing, remote control (starboard half)	1
C-10-20012	20	Screw, control housing clamping	2
C-11-20013	21	Nut, control housing clamping screw	2
C-10-20330	22	Screw, control housing to boat	2
C-12-27985	23	Washer, control housing screw	2
C-11-20184	24	Nut, control housing screw	2
A-28262-2	25	Wiring Harness, external (10 ft.)	1
A-28262-4	25	Wiring Harness, external (15 ft.)	1
A-28262-6	25	Wiring Harness, external (20 ft.)	1
A-27912	26	Terminal, battery - positive	1
A-27913	27	Terminal, battery - negative	1
C-54-26685	28	Clip, external harness to housing	1
C-22789	29	"D" Washer, harness clip screw	1
C-10-26682	30	Screw, harness clip to housing	1
C-30163	31	Switch, ignition (with keys)—Key Part #C-30431 {when ordering replacement keys also } {list number stamped on key }	1
A-22628	32	Bezel, ignition switch	1
A-27039	33	Socket, pilot light	1
A-27040	34	Bulb, pilot light	1
A-27-27038	35	Gasket, pilot light lens	2
A-27041	36	Lens, pilot light (red)	1
C-54-27133	37	Clamp, pilot light to housing	1
C-10-26668	38	Screw, pilot light clamp fastening	1
A-27762	39	Switch, push button	2
C-13-27053	40	Lockwasher, push button switch	2
C-11-27052	41	Nut, push button switch fastening	4
A-26671	42	Wire, jumper - forward to reverse switch	1
A-26672	43	Wire, jumper - ignition to forward switch and ignition to pilot light	2
A-27775	44	Wire, jumper - ignition to forward switch and ignition to pilot light	2
A-27774	45	Wire, jumper - forward to reverse switch	1
C-54-22690	46	Clamp, external harness cable to boat	1
C-22789	47	"D" Washer, harness cable clamp screw	1
C-10-22793	48	Screw, harness cable clamp to boat	1

NOTE: A-27903A2 Control Lever Assembly is replaced by A-28940A2 Control Lever Assembly. All component parts are still available, so order your replacement parts accordingly.

REMOTE CONTROL ASSEMBLY (ELECTRIC)



REMOTE CONTROL ASSEMBLY (ELECTRIC)



REMOTE CONTROL ASSEMBLY (ELECTRIC)

PART NO.	REF. NO.	DESCRIPTION	QUAN.
A-26790A10	-	Electric Remote Control Assembly (10 ft.)	*1
A-26790A15	-	Electric Remote Control Assembly (15 ft.)	*1
A-26790A20	-	Electric Remote Control Assembly (20 ft.)	*1
A-20002	1	Housing, rear half	1
A-23-20008	2	Bushing, nylon - shift arm	1
A-23870	3	Arm, shift - curved (<i>straight shaft arm - Part #A-26063</i>)	1
A-22629	4	Plate, housing divider	1
A-24870A1	5	Throttle Arm Assembly, curved (<i>straight throttle arm - part #A-26063A1</i>)	1
C-17-20009	6	Pin, detent	1
C-24-20010	7	Spring, detent pin	1
C-19-20011	8	Welch Plug, detent pin	1
A-23-20008	9	Bushing, nylon - throttle arm	1
A-22631	10	Housing, front half	1
A-26790-2	11	Wiring Harness, external (10 ft.)	1
A-26790-4	11	Wiring Harness, external (15 ft.)	1
A-26790-6	11	Wiring Harness, external (20 ft.)	1
A-27912	12	Terminal, battery (with bolt and nut) <i>positive</i>	1
A-27913	12	Terminal, battery (with bolt and nut) <i>negative</i>	1
C-54-22690	13	Clip, cable - wiring harness	1
C-22789	14	"D" Washer, wiring harness clip	1
C-10-22793	15	Screw, wiring harness clip to boat	1
A-30590	16	Switch, ignition (with keys) - <i>Key Part #C-30431</i>	1
A-29062	17	Switch, choke	1
A-22628	18	Bezel, ignition and choke switch fastening	2
C-10-20330	19	Screw, remote control housing to boat	2
C-12-20346	20	Washer, remote control housing screw	2
C-11-20184	21	Nut, remote control housing screw	2
C-10-20012	22	Screw, control housing clamping	2
C-11-20013	23	Nut, control housing clamping screw	2
A-37-20606	--	Decal, throttle - control housing	1
A-37-20607	--	Decal, shift - control housing	1

*Use on all Mark 55E engines starting with serial #1090100 and up.

PILOT LIGHT ASSEMBLY

NOTE: Early production of Mark 75 Remote Controls did not have the pilot light installed. For those desiring the pilot light in earlier controls, the following Pilot Light Assembly is available.

PART NO.	REF. NO.	DESCRIPTION	MK75
A-27039A3	-	Pilot Light Assembly (<i>not shown</i>)	1
A-27039	-	Socket, pilot	1
A-27040	-	Bulb, pilot light	1
A-27-27038	-	Gasket, pilot light lens	2
A-27041	-	Lens, pilot light (red)	1
C-54-27133	-	Clamp, pilot light socket to housing	1
C-10-20774	-	Screw, pilot light clamp to housing	1
C-11-26768	-	Nut, pilot light clamp screw	1

REMOTE CONTROL ASSEMBLY

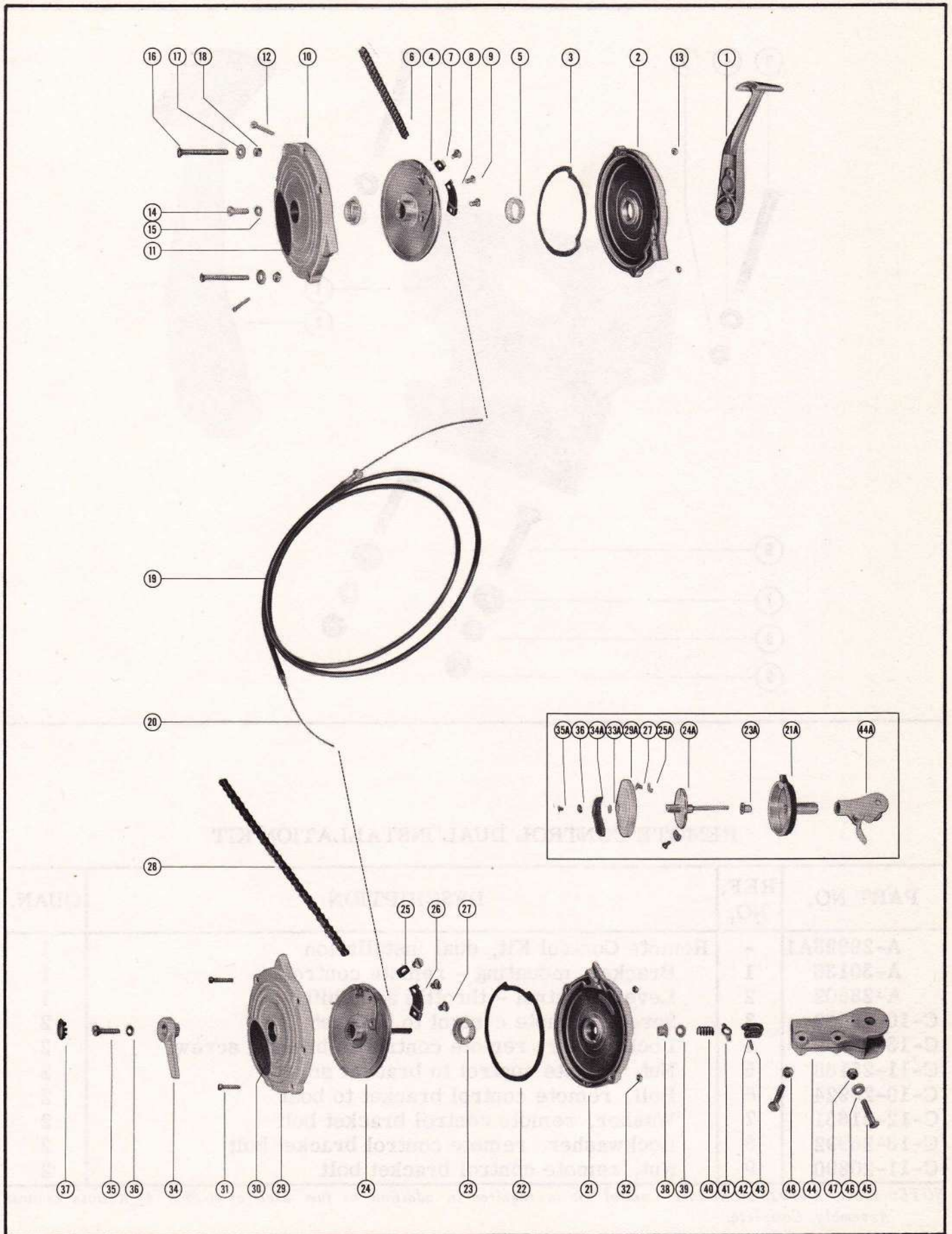
PART NO.	REF. NO.	DESCRIPTION	A-28324A2	A-29515A
A-28324A2	-	Remote Control Housing Assembly, Complete	1	-
A-29515A5	-	Remote Control Assembly, Complete (5 ft.)	-	1
A-29515A6	-	Remote Control Assembly, Complete (6 ft.)	-	1
A-29515A7	-	Remote Control Assembly, Complete (7 ft.)	-	1
A-29515A8	-	Remote Control Assembly, Complete (8 ft.)	-	1
A-29515A9	-	Remote Control Assembly, Complete (9 ft.)	-	1
A-29515A10	-	Remote Control Assembly, Complete (10 ft.)	-	1
A-29515A11	-	Remote Control Assembly, Complete (11 ft.)	-	1
A-29515A12	-	Remote Control Assembly, Complete (12 ft.)	-	1
A-29515A14	-	Remote Control Assembly, Complete (14 ft.)	-	1
A-29515A16	-	Remote Control Assembly, Complete (16 ft.)	-	1
A-29515A18	-	Remote Control Assembly, Complete (18 ft.)	-	1
A-28320	1	Lever, control - throttle and shift	1	1
A-28323	2	Housing, remote station end - port	1	-
A-29516	2	Housing, remote station end - port	-	1
A-27-28525	3	Gasket, housing - remote station end	1	-
A-27-29522	3	Gasket, housing - remote station end	-	1
A-28319	4	Pulley, drive - remote end	1	-
A-29007	4	Pulley, drive - remote end	-	1
C-23-28314	5	Bushing, nylon - remote housing	2	2
A-28313	6	Chain, remote station end (23 pitches)	1	-
A-29521	6	Chain, remote station end (29 pitches)	-	1
A-54-28309	7	Clamp, control cable to pulley (small)	1	-
A-54-29008	7	Clamp, control cable to pulley (small)	-	1
A-54-28928	8	Clamp, control cable to pulley (large)	1	1
C-10-21562	9	Screw, control cable clamp fastening	3	3
A-28324	10	Housing, remote station end - starboard	1	-
A-29515	10	Housing, remote station end - starboard	-	1
A-38-28378	11	Plate, name - port and starboard housing	2	2
C-10-21335	12	Screw, clamping - housing to housing	4	-
C-10-29793	12	Screw, clamping - housing to housing	-	4
C-11-24656	13	Nut, housing clamping screw	4	4
C-10-20723	14	Screw, control lever to housing	1	1
C-13-26992	15	Lockwasher, control lever fastening screw	1	1
C-10-28532	16	Screw, remote station end housing to boat	2	2
C-12-20346	17	Washer, housing fastening screw	2	2
C-11-24652	18	Nut, housing fastening screw	2	2
A-28325_S	19	Cable, remote control (single) <small>{ Order in the following cable lengths: -5S, -6S, -7S, -8S, -9S, -10S, -11S, -12S, -14S, -16S, and -18S. <u>Not</u> included with A-28324A2 Housing Assembly.</small>	1	-
A-28925-12	20	Inner Wire, control cable (13' 5")	1	-
A-28925-18	20	Inner Wire, control cable (19' 5")	1	-
A-29524_S	19	Cable, remote control (single) <small>{ Order in the following cable lengths: -5S, -6S, -7S, -8S, -9S, -10S, -11S, -12S, -14S, -16S, and -18S. <u>In</u>cluded with A-29515A_Housing Assembly.</small>	-	1
A-29848-12	20	Inner Wire, control cable (14')	-	1
A-29848-18	20	Inner Wire, control cable (20')	-	1
A-28318	21A	Housing, remote engine end	1	-
A-29517	21	Housing, remote engine end	-	1
A-27-28526	22	Gasket, housing - remote engine end	1	-
A-27-29522	22	Gasket, housing - remote engine end	-	1
C-23-27132	23A	Bushing, nylon - pulley shaft (5/8")	1	-
C-23-28314	23	Bushing, nylon - pulley shaft (1")	-	1
A-28322	24A	Pulley, drive - engine end	1	-
A-29753	24	Pulley, drive - engine end	-	1
A-54-28309	25A	Clamp, control cable to pulley (small)	2	-
A-54-29008	25	Clamp, control cable to pulley (small)	-	1
A-54-28928	26	Clamp, control cable to pulley (large)	-	1
C-10-21562	27	Screw, control cable clamp fastening	2	3
A-28312	28	Chain, remote engine end (19 pitches)	1	-
A-29521	28	Chain, remote engine end (29 pitches)	-	1
A-28310	29A	Cover, engine end housing	1	-
A-29515	29	Housing, engine end	-	1
A-27-28527	--	Gasket, engine end housing cover	1	-
A-38-29525	30	Insignia, shift indicator - engine end housing	-	1
C-10-29793	31	Screw, clamping - housing to housing	-	4
C-11-24656	32	Nut, housing clamping screw	-	4
C-12-20684	33A	Washer, sealing - indicator to cover	1	-
A-28311	34A	Indicator, forward - neutral - reverse	1	-
A-29514	34	Indicator, forward - neutral - reverse	-	1
C-10-28366	35A	Screw, indicator to pulley	1	-
C-10-29541	35	Screw, indicator to pulley	-	1
C-13-26992	36	Lockwasher, indicator fastening screw	1	1
A-19-29542	37	Plug, indicator knob	-	1
A-37-29968	--	Decal, neutral - remote housing indicator	-	1
C-23-26841	38	Bushing, nylon - pulley shaft (5/16")	1	1
C-12-20084	39	Washer, pulley shaft	1	1
A-24-26703	40	Spring, tension - pulley shaft	1	1
C-14-26706	41	Tab Washer, pulley shaft	1	1
A-30235	42	Yoke, pulley shaft	1	1
C-17-26862	43	Pin, yoke to pulley shaft	1	1
A-27759A1	44A	Adaptor Assembly, steering handle	#1	-
A-29518	44	Adaptor, steering handle	-	@1
C-10-21091	45	Screw, handle adaptor clamping	-	@2
C-12-20533	46	Washer, adaptor clamping screw	-	@1
C-11-20361	47	Nut, adaptor clamping screw	-	@1
C-11-20586	48	Nut, adaptor clamping screw	-	@1

A-28324A2 Remote Control Housing Assembly is no longer available. For replacement order A-29515A Remote Control Assembly in cable length required. Component parts for A-28324A2 Housing Assembly are still available. Order replacement parts accordingly

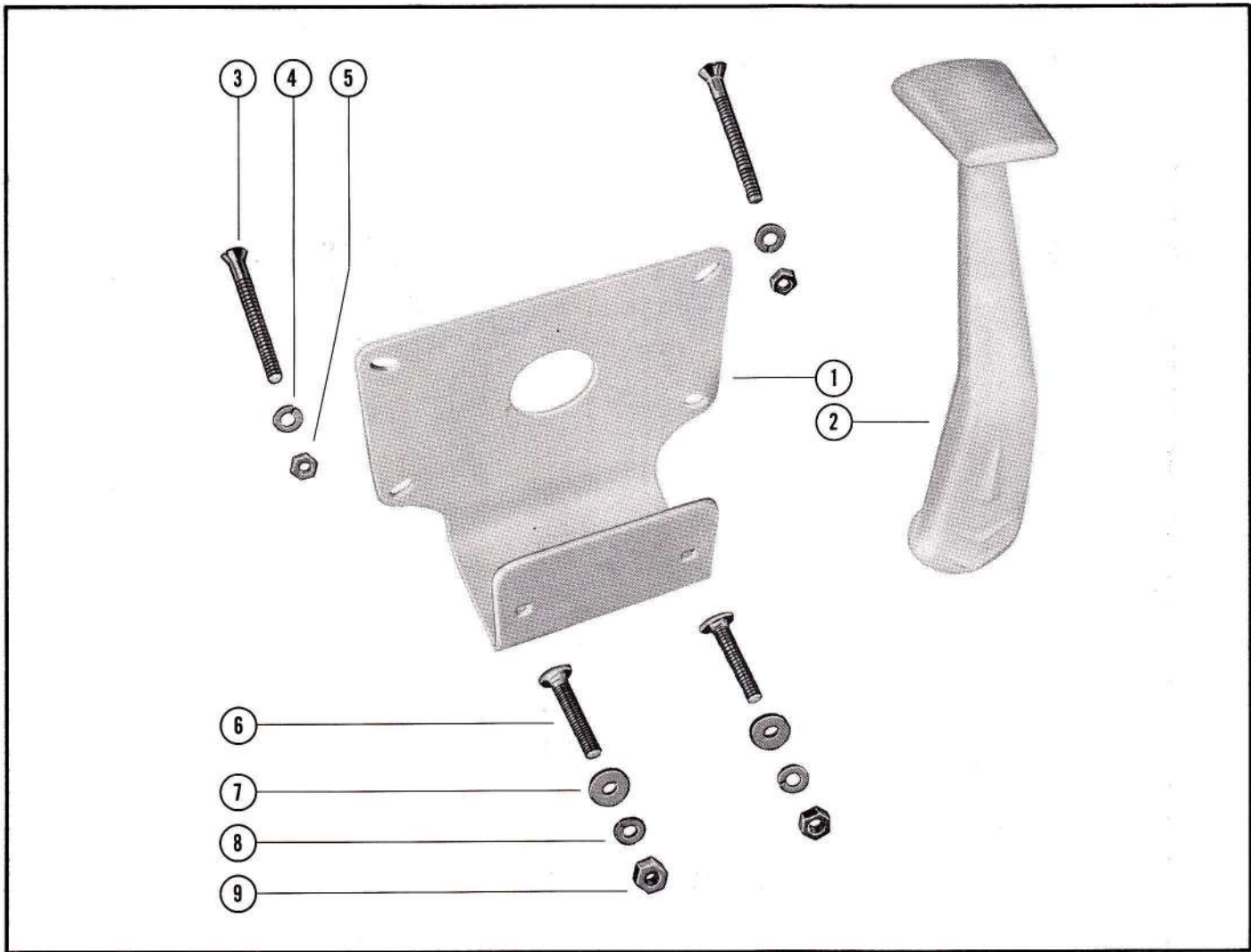
Ⓢ Required with installation of A-29515A Remote Control Assembly on Mark 10, 10A, 15A, 20 and 28A engines. Not required when installed on Mark 28A engines from Serial #1237167 and up or any Merc 100, 150, 200 and 250 engines.

Required only on Mark 10 and Mark 10A engines below Serial #1120828 when used with A-28324A2 Remote Control Assembly.

REMOTE CONTROL ASSEMBLY



REMOTE CONTROL DUAL INSTALLATION KIT

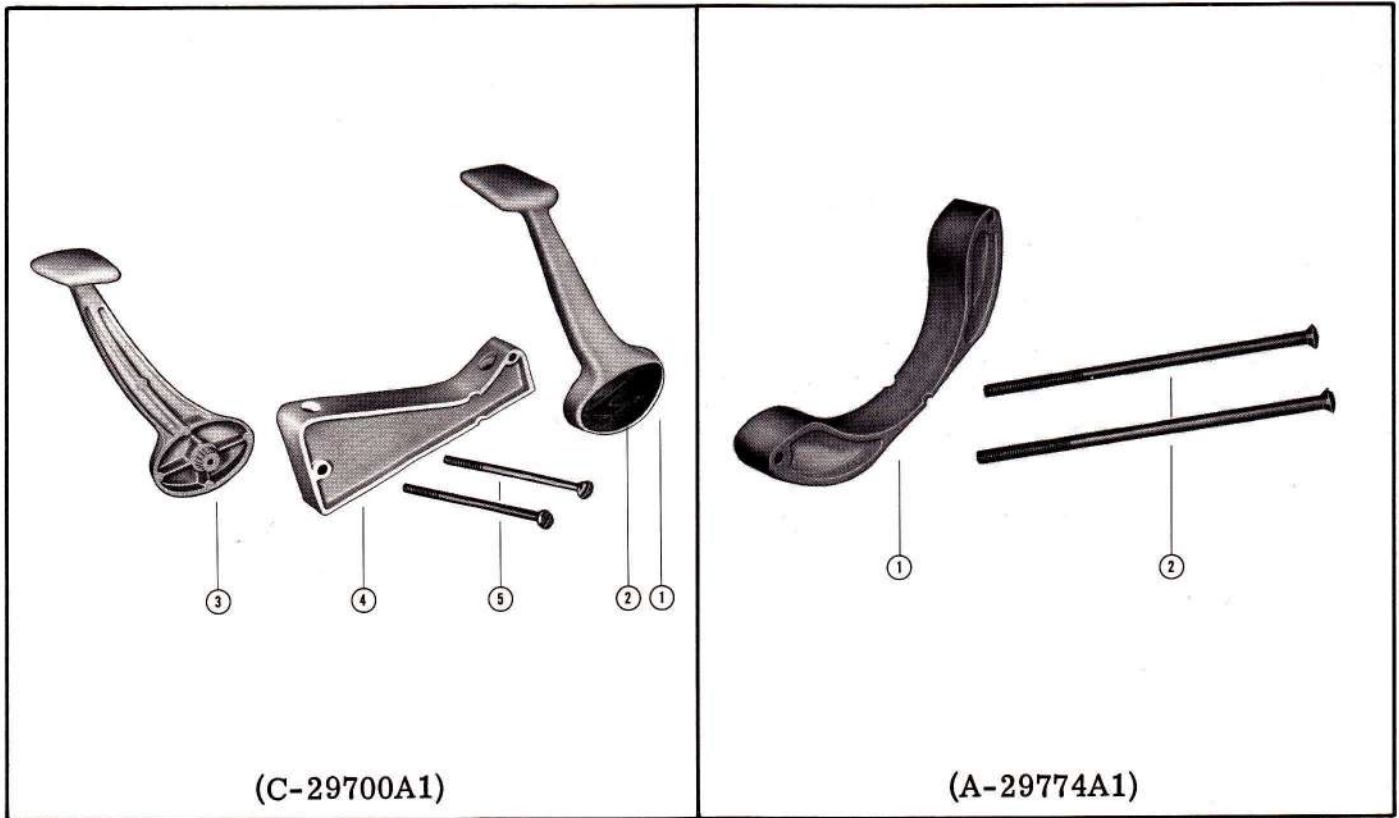


REMOTE CONTROL DUAL INSTALLATION KIT

PART NO.	REF. NO.	DESCRIPTION	QUAN.
A-28923A1	-	Remote Control Kit, dual installation	1
A-30136	1	Bracket, mounting - remote control	1
A-28902	2	Lever, control - throttle and shift	1
C-10-28532	3	Screw, remote control to bracket	2
C-13-26992	4	Lockwasher, remote control to bracket screw	2
C-11-25168	5	Nut, remote control to bracket screw	2
C-10-28924	6	Bolt, remote control bracket to boat	2
C-12-21631	7	Washer, remote control bracket bolt	2
C-13-26992	8	Lockwasher, remote control bracket bolt	2
C-11-20890	9	Nut, remote control bracket bolt	2

NOTE: Above A-28923A1 Remote Control Kit is required in addition to two each of A-29515A_Remote Control Assembly, Complete.

REMOTE CONTROL DUAL INSTALLATION KITS



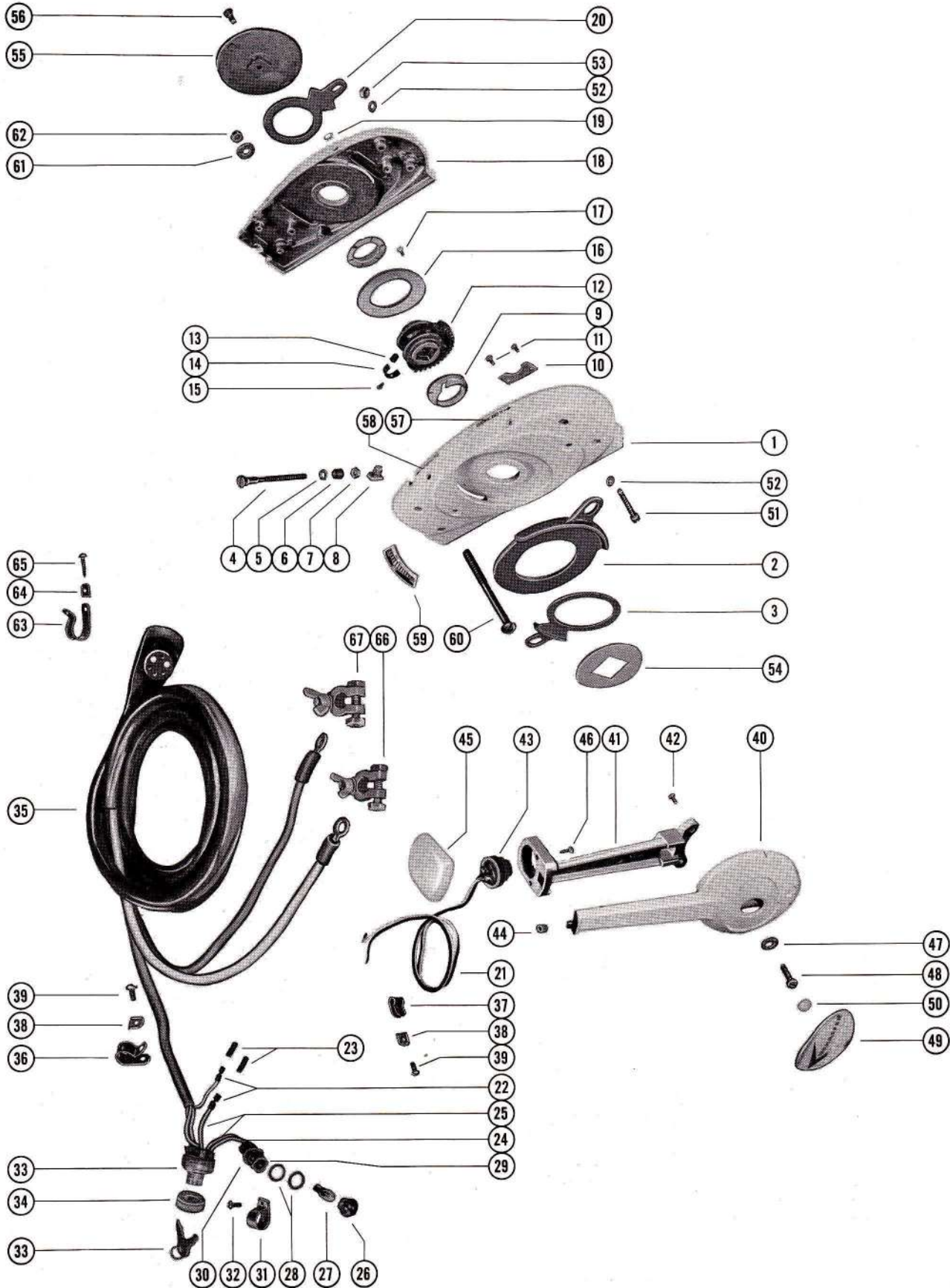
REMOTE CONTROL DUAL INSTALLATION KIT

PART NO.	REF. NO.	DESCRIPTION	QUAN.
C-29700A1	-	Remote Control Dual Installation Kit	1
C-30047A1	1	Control Lever Assembly (port)	1
C-38-29643	2	Insignia, control lever	1
C-30048A1	3	Control Lever Assembly (starboard)	1
C-38-29643	2	Insignia, control lever	1
C-23-29734	4	Spacer, control housing to housing	1
C-10-29733	5	Screw, spacer and control housings to boat	2

REMOTE CONTROL DUAL INSTALLATION KIT

PART NO.	REF. NO.	DESCRIPTION	QUAN.
A-29774A1	-	Remote Control Dual Installation Kit	1
A-23-29770	1	Spacer, control housing to housing	1
C-10-29733	2	Screw, spacer and control housings to boat	2

REMOTE CONTROL ASSEMBLY (ELECTRIC)



REMOTE CONTROL ASSEMBLY (ELECTRIC)

PART NO.	REF. NO.	DESCRIPTION	QUAN.
A-29699A10	-	Electric Remote Control Assembly, Complete	1
A-29699A15	-	Electric Remote Control Assembly, Complete	1
A-29699A20	-	Electric Remote Control Assembly, Complete	1
A-29731	1	Housing, remote control - starboard	1
A-29724	2	Cam, forward start - control housing	1
A-29723	3	Cam, reverse start - control housing	1
C-10-30489	4	Screw, cam adjustment	3
C-13-29720	5	Washer, wave - cam adjustment screw	3
A-23-30507	6	Sleeve, cam adjustment screw	3
C-11-30506	7	Nut, upper - cam adjustment screw	3
C-11-29716	8	Nut, lower - cam adjustment screw	3
A-23-29719	9	Bushing, nylon - gear sector to control housing	2
A-26667	10	Plate, gear rack retaining	1
C-10-26668	11	Screw, gear rack retaining plate to control housing	2
A-43-29728	12	Gear, sector	1
A-23-30299	13	Sleeve, control lever harness clip	1
A-54-29828	14	Clip, control lever harness	1
C-10-26381	15	Screw, harness clip to gear sector	1
C-12-29735	16	Washer, harness - gear sector	1
C-10-29762	17	Screw, harness guard washer to gear sector	2
A-29732	18	Housing, remote control - port	1
A-19-29991	19	Plug, cam adjustment screw hole	1
A-29829	20	Stop, full throttle - control housing	1
A-29761	21	Harness, control lever to jumper wire	1
A-29879	22	Connector, butt - harness leads to jumper wire	2
C-23-29902	23	Sleeve, butt connector covering	2
A-29752	24	Jumper Wire, ignition switch to pilot light	1
A-26672	25	Jumper Wire, switch to pilot light and switch to harness	2
A-27041	26	Lens, pilot light	1
A-27040	27	Bulb, pilot light	1
A-27-27038	28	Gasket, pilot light lens	2
A-27039	29	Socket, bayonet - pilot light	1
C-12-29805	30	Washer, pilot light bayonet socket	1
C-54-27133	31	Clamp, pilot light to control housing	1
C-10-26668	32	Screw, pilot light clamp to control housing	1
A-29060	33	Switch, ignition (with keys - part #A-25304)	1
C-30163	33	Switch, ignition (with keys - part #C-30431)	1
A-22628	34	Bezel, ignition switch to control housing	1
A-29729-2	35	Wiring Harness, external (10')	1
A-29729-4	35	Wiring Harness, external (15')	1
A-29729-6	35	Wiring Harness, external (20')	1
C-54-22627	36	Clip, external wiring harness to control housing	1
C-54-23568	37	Clip, control lever harness to control housing	1
C-22789	38	"D" Washer, harness clip fastening screw	2
C-10-26682	39	Screw, harness clip to control housing	2
A-29755A1	40	Control Lever Assembly	1
A-29756A1	41	Control Lever Cover Assembly	1
C-10-29762	42	Screw, cover to control lever	2
A-29759	43	Switch, starting - control lever cover	1
A-32-29758	44	Sleeve, rubber - control lever boss	1
A-29760	45	Cap, control lever	1
C-10-29763	46	Screw, cap to control lever cover	2
C-12-20346	47	Washer, control lever to control housing screw	1
C-10-24238	48	Screw, control lever to control housing	1
C-26183A5	49	Emblem, control lever	1
A-19-29916	50	Plug, button - emblem to control lever	1
C-10-29832	51	Screw, remote control housing clamping	4
C-12-20028	52	Washer, remote control housing clamping screw	AR
C-11-24652	53	Nut, remote control housing clamping screw	4
A-13-29717	54	Washer, wave - control lever to control housing	1
A-29715	55	Cover, control housing	1
C-10-29831	56	Screw, control housing cover fastening	1
A-37-29841	57	Decal, "Forward" - remote control housing	1
A-37-29842	58	Decal, "Reverse" - remote control housing	1
A-37-30007	--	Label, start adjustment - remote control housing	2
A-37-30008	--	Label, forward limit - remote control housing	1
A-37-30016	59	Label, economy range - remote control housing	1
C-10-29672	60	Screw, remote control housing to boat	2
C-12-20346	61	Washer, remote control housing fastening screw	2
C-11-24652	62	Nut, remote control housing fastening screw	2
C-54-22690	63	Clip, wiring harness	1
C-22789	64	"D" Washer, wiring harness clip fastening screw	1
C-10-22793	65	Screw, wiring harness clip to boat	1
A-27912	66	Battery Terminal - positive (with bolt and nut)	1
A-27913	67	Battery Terminal - negative (with bolt and nut)	1

Early production 6-Cylinder Remote Controls had a cam adjusting screw setup as listed below. Replace parts accordingly:

C-10-30489	Screw	(3)
C-13-29720	Wave Washer	(3)
C-53-26769	Snap Ring	(3)

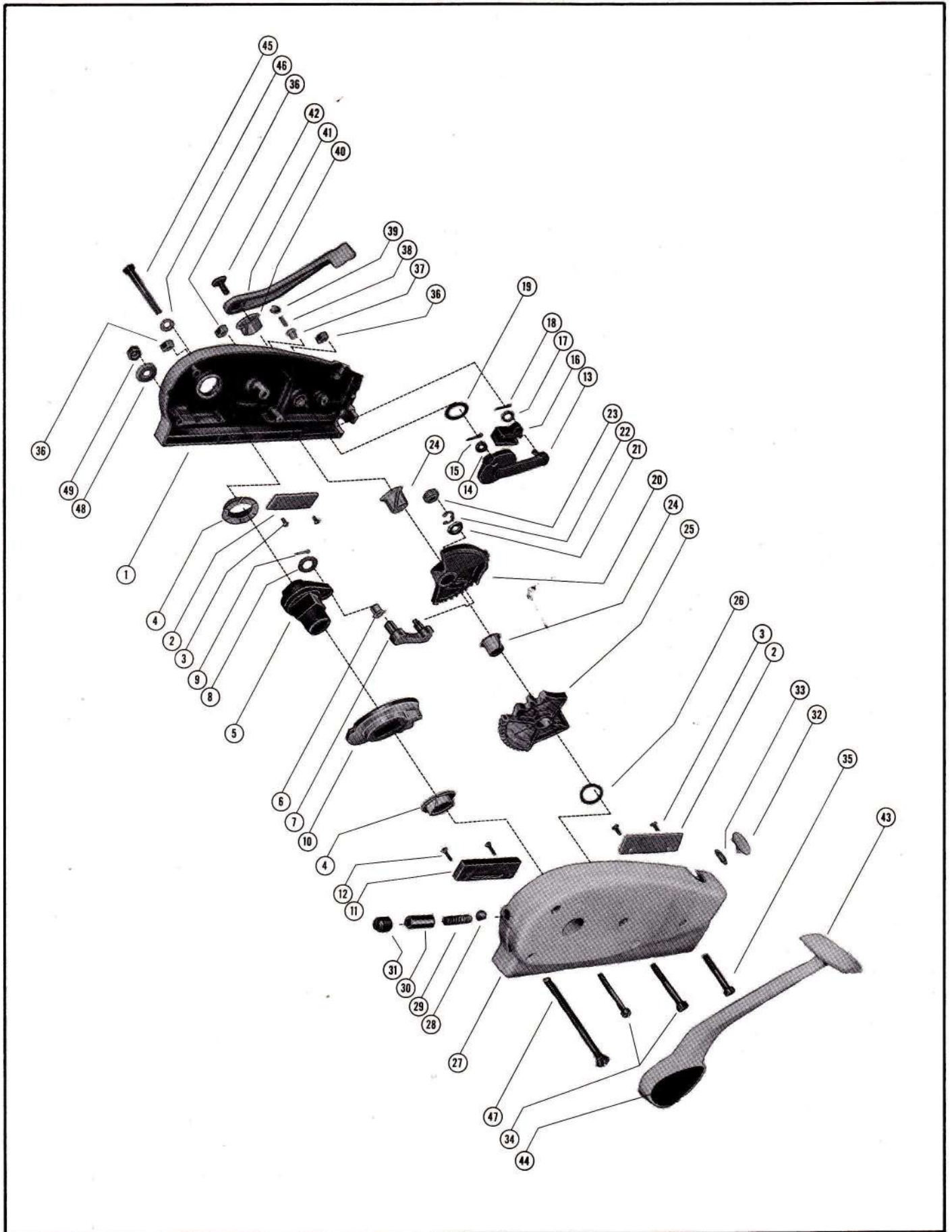
when ordering replacement keys also list number stamped on key.

REMOTE CONTROL ASSEMBLY (STANDARD)

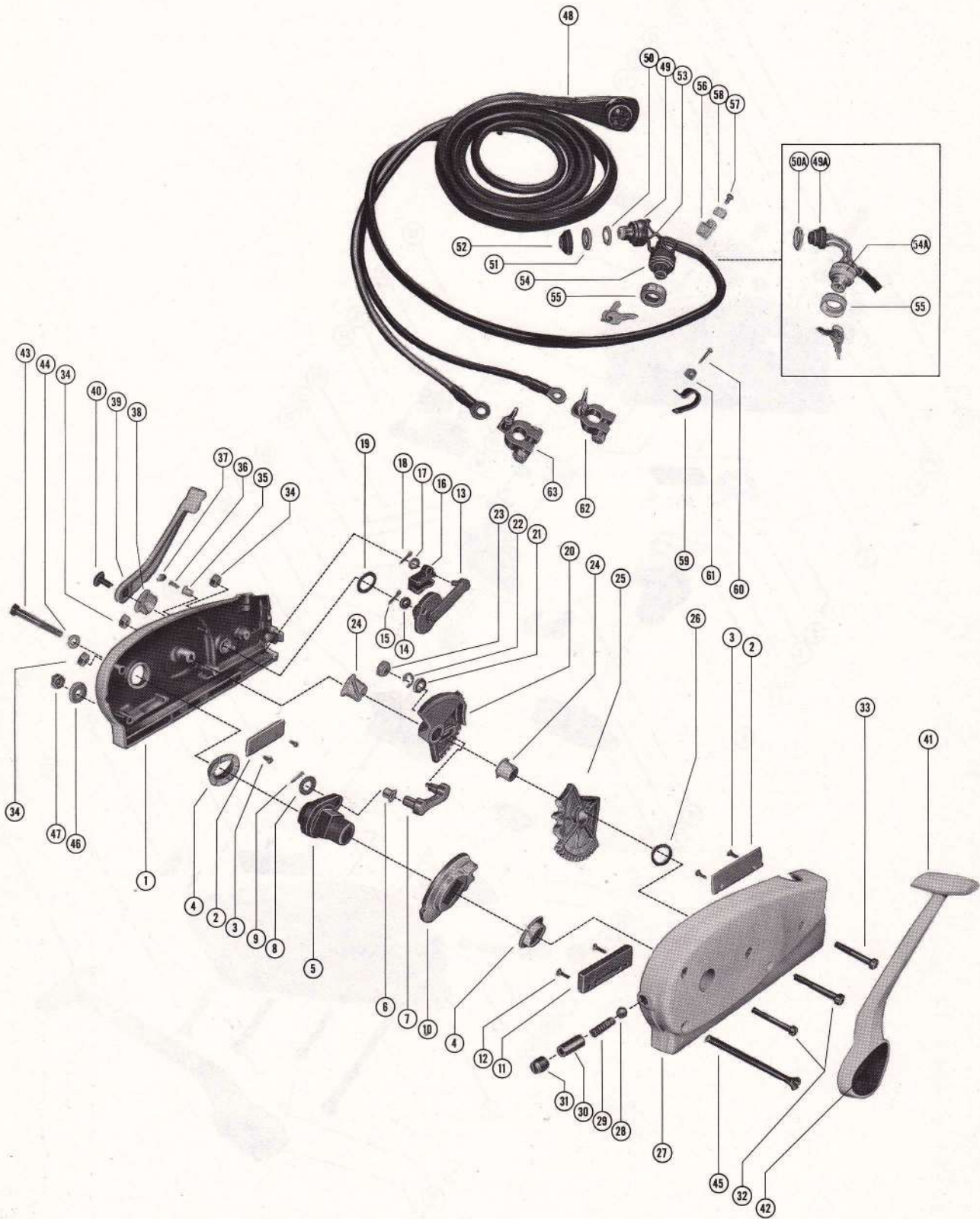
PART NO.	REF. NO.	DESCRIPTION	A-29646A1	A-30063A1
A-29646A1	-	Remote Control Assembly <i>(see note below)</i>	1	-
A-30063A1	-	Remote Control Assembly	-	1
A-29580	1	Housing, remote control - starboard <i>(use with A-43-29571 sector gear)</i>	1	-
C-30203	1	Housing, remote control - starboard <i>(use with C-43-30204 sector gear)</i>	-	1
C-29640	2	Plate, rack retaining	2	2
C-10-26668	3	Screw, rack retaining plate to housing	4	4
C-23-28314	4	Bushing, nylon - throttle sector actuator	2	2
C-29574	5	Actuator, link and throttle sector	1	1
C-23-29638	6	Bushing, nylon - throttle link	1	1
C-29576	7	Link, throttle - actuator and sector gear	1	1
C-12-29629	8	Washer, throttle link	1	1
C-18-29623	9	Cotter Pin, throttle link to actuator	1	1
C-43-29575	10	Gear, drive - actuator <i>(Drive Gear with detents - order A-43-31371)</i>	1	1
C-29647	11	Plate, separator - control cable anchor	1	1
C-10-29642	12	Screw, separator plate to control housing	2	2
C-29578A1	13	Throttle Shaft and Link Assembly	1	1
C-12-20583	14	Washer, throttle shaft link	1	1
C-18-21071	15	Cotter Pin, link to throttle shaft	1	1
C-29573	16	Block, control cable anchor	1	1
C-12-29626	17	Washer, throttle shaft link	1	1
C-18-21071	18	Cotter Pin, link to cable anchor block	1	1
C-12-29683	19	Washer, throttle shaft and link to housing	1	1
A-43-29571	20	Gear, throttle sector <i>(use with A-29580 starboard housing)</i>	1	-
C-43-30204	20	Gear, throttle sector <i>(use with C-30203 starboard housing)</i>	-	1
C-12-29629	21	Washer, throttle link	1	1
C-53-29641	22	"E" Ring, throttle link to sector gear	1	1
C-29630	23	Cam Follower, throttle link	1	1
C-23-27132	24	Bushing, nylon - throttle and shift gear	2	2
C-43-31802	25	Gear, shift sector	1	1
C-12-29627	26	Washer, shift sector gear to housing	1	1
C-30986	27	Housing, remote control - port	1	1
A-30-29634	28	Ball, tension - drive gear (3/8")	1	1
A-24-29622	29	Spring, detent - drive gear ball (11/32" OD)	1	1
A-29838	30	Housing, detent spring	1	1
C-31370	28	Ball, tension - drive gear (7/16")	-	1
C-24-30891	29	Spring, detent - drive gear ball (27/64" OD)	-	1
C-10-29837	31	Screw, retaining - detent spring housing	1	1
A-19-29540	32	Plug, choke switch hole	1	-
C-19-30064	32	Plug, choke switch hole	-	1
C-25-20034	33	"O" Ring, choke hole plug	1	-
C-10-29389	34	Screw, remote control housing clamping (1 7/8")	2	2
C-10-29817	35	Screw, remote control housing clamping (1 5/8")	1	1
C-11-24652	36	Nut, remote control housing clamping screw	3	3
C-17-20009	37	Pin, detent - control housing sector gear	1	1
C-24-20010	38	Spring, detent pin	1	1
C-19-20011	39	Welch Plug, detent pin and spring retaining	1	1
C-23-29684	40	Bushing, nylon - throttle control lever to housing	1	1
C-29572	41	Lever, throttle control	1	1
C-37-31021	--	Tape, throttle control lever	-	1
C-10-29628	42	Screw, throttle control lever to housing	1	1
C-29675A2	43	Control Handle Assembly, throttle and shift <i>(2" shorter control handle - order A-31384A1)</i>	1	1
C-38-29643	44	Insignia, control handle	1	1
C-10-29671	45	Screw, control handle to housing	1	1
C-13-26992	46	Lockwasher, control handle fastening screw	1	1
C-10-29672	47	Screw, remote control housing to boat	2	2
C-12-20346	48	Washer, remote control housing to boat screw	2	2
C-11-24652	49	Nut, remote control housing to boat screw	2	2

NOTE: A-29646A1 Remote Control Assembly is no longer available. For replacement - order A-30063A1 Remote Control Assembly. Component parts are still stocked, so order your replacement parts accordingly.

REMOTE CONTROL ASSEMBLY (STANDARD)



REMOTE CONTROL ASSEMBLY (ELECTRIC)



REMOTE CONTROL ASSEMBLY (ELECTRIC)

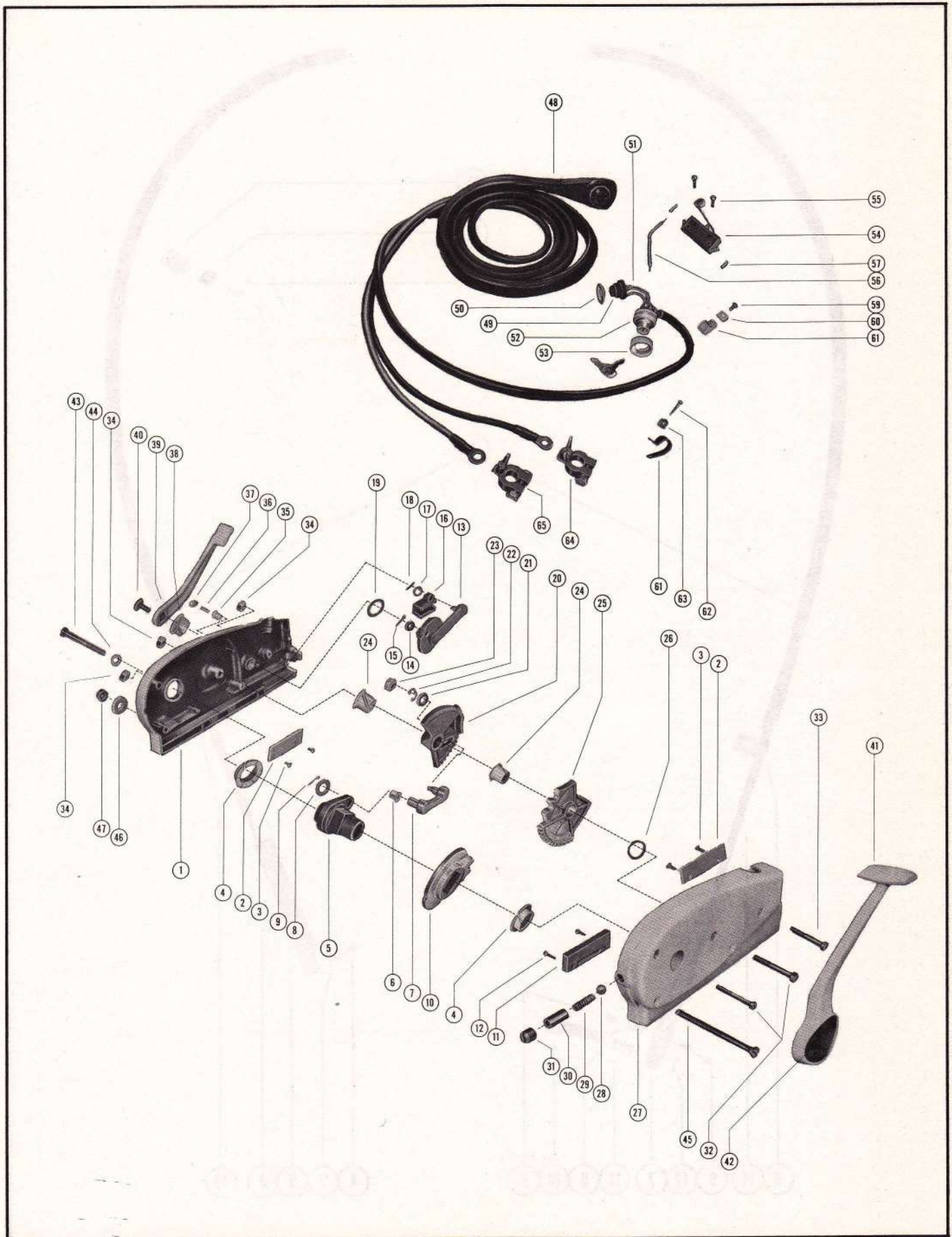
PART NO.	REF. NO.	DESCRIPTION	A-29581A	A-30062A	A-34215A
A-29581A10	-	Remote Control Assembly (electric)	1	-	-
A-29581A15	-	Remote Control Assembly (electric) } <i>see note below</i>	-	-	-
A-29581A20	-	Remote Control Assembly (electric)	1	-	-
A-30062A10	-	Remote Control Assembly (electric)	-	1	-
A-30062A15	-	Remote Control Assembly (electric)	-	1	-
A-30062A20	-	Remote Control Assembly (electric)	-	1	-
A-34215A10	-	Remote Control Assembly (electric)	-	-	1
A-34215A15	-	Remote Control Assembly (electric)	-	-	1
A-34215A20	-	Remote Control Assembly (electric)	-	-	1
A-29580	1	Housing, remote control - starboard (use with A-43-29571 sector gear)	1	-	-
A-30059	1	Housing, remote control - starboard (use with A-43-29571 sector gear)	-	1	-
C-30203	1	Housing, remote control - starboard (use with A-43-30204 sector gear)	-	1	-
C-29640	2	Plate, rack retaining	2	2	2
C-10-26668	3	Screw, rack retaining plate to control housing	4	4	4
C-23-28314	4	Bushing, nylon - throttle sector actuator	2	2	2
C-29574	5	Actuator, link and throttle sector	1	1	1
C-23-29683	6	Bushing, nylon - throttle link	1	1	1
C-29576	7	Link, throttle - actuator and sector gear	1	1	1
C-12-29629	8	Washer, throttle link	1	1	1
C-18-29623	9	Cotter Pin, throttle link to actuator	1	1	1
C-43-29575	10	Gear, drive - actuator (Drive Gear with detents - order A-43-31371)	1	1	1
C-29647	11	Plate, separator - control cable anchor	1	1	1
C-10-29642	12	Screw, separator plate to control housing	2	2	2
C-29578A1	13	Throttle Shaft and Link Assembly	1	1	1
C-12-20583	14	Washer, throttle shaft link	1	1	1
C-18-21071	15	Cotter Pin, link to throttle shaft	1	1	1
C-29573	16	Block, control cable anchor	1	1	1
C-12-29626	17	Washer, throttle shaft link	1	1	1
C-18-21071	18	Cotter Pin, link to cable anchor block	1	1	1
C-12-29683	19	Washer, throttle shaft and link to housing	1	1	1
A-43-29571	20	Gear, throttle sector (use with A-29580 and A-30059 starboard housing)	1	1	-
C-43-30204	20	Gear, throttle sector (use with C-30203 starboard housing)	-	1	1
C-12-29629	21	Washer, throttle link	1	1	1
C-53-29641	22	"E" Ring, throttle link to sector gear	1	1	1
C-29630	23	Cam Follower, throttle link	1	1	1
C-23-27132	24	Bushing, nylon - throttle and shift gear	2	2	2
C-43-31802	25	Gear, shift sector	1	1	1
C-12-29627	26	Washer, shift sector gear to housing	1	1	1
C-30986	27	Housing, remote control - port	1	1	1
A-30-29634	28	Ball, tension - drive gear (3/8")	1	1	-
A-24-29622	29	Spring, detent - drive gear ball (11/32" OD) } <i>Early Style</i>	1	1	-
A-29838	30	Housing, detent spring	-	1	1
C-31370	28	Ball, tension (7/16")	-	1	1
C-24-30891	29	Spring, detent - drive gear ball (27/64" OD) } <i>Latest Style</i>	1	1	1
C-10-29837	31	Screw, retaining - detent spring housing	2	2	2
C-10-29389	32	Screw, remote control housing clamping	1	1	1
C-10-29817	33	Screw, remote control housing clamping	3	3	3
C-11-24652	34	Nut, remote control housing clamping screw	1	1	1
C-17-20009	35	Pin, detent - control housing sector gear	1	1	1
C-24-20010	36	Spring, detent pin	1	1	1
C-19-20011	37	Welch Plug, detent pin and spring retaining	1	1	1
C-23-29684	38	Bushing, nylon - throttle control lever to housing	1	1	1
C-29572	39	Lever, throttle control	1	1	1
C-37-31021	--	Tape, throttle control lever	-	1	1
C-10-29628	40	Screw, throttle control lever to housing	1	1	1
C-29675A2	41	Control Handle Assembly, throttle and shift (2" shorter control handle - order A-31384A1)	1	1	1
C-38-29643	42	Insignia, control handle	1	1	1
C-10-29671	43	Screw, control handle to housing	1	1	1
C-13-26992	44	Lockwasher, control handle fastening screw	1	1	1
C-10-29672	45	Screw, remote control housing to boat	2	2	2
C-12-20346	46	Washer, remote control housing screw	2	2	2
C-11-24652	47	Nut, remote control housing screw	2	2	2
A-29645-2	48	Wiring Harness, external (10")	1	1	-
A-29645-4	48	Wiring Harness, external (15")	1	1	-
A-29645-6	48	Wiring Harness, external (20")	1	1	-
A-34200-10	48	Wiring Harness, external (10")	-	-	1
A-34200-15	48	Wiring Harness, external (15")	-	-	1
A-34200-20	48	Wiring Harness, external (20")	-	-	1
A-29567	49	Switch, choke	1	-	-
A-29759	49A	Switch, choke	-	1	1
C-12-30028	50	Washer, choke switch	1	-	-
A-30053	50A	Collar, choke switch to control housing	-	1	1
A-29639	51	Bezel, choke switch to control housing	1	-	-
A-30027	52	Cover, rubber - choke switch	1	-	-
A-29648	53	Jumper Wire, choke to ignition switch	1	1	1
A-29566	54	Switch, ignition (with keys) key part #A-25304	1	-	-
C-30162	54A	Switch, ignition (with keys) key part #C-30431	-	1	-
A-34198	54A	Switch, ignition (with keys) key part #C-30431	-	-	1
A-22628	55	Bezel, ignition switch to control housing	1	1	1
C-54-26685	56	Clip, inner - wiring harness to control housing	1	1	1
C-10-26682	57	Screw, inner clip to housing	1	1	1
C-22789	58	"D" Washer, inner clip fastening screw	1	1	1
C-54-22690	59	Clip, external wiring harness to boat	1	1	1
C-10-22793	60	Screw, external wiring harness clip to boat	1	1	1
C-22789	61	"D" Washer, wiring harness clip fastening screw	1	1	1
A-27913	62	Battery Terminal, negative (with bolt and nut)	1	1	1
A-27912	63	Battery Terminal, positive (with bolt and nut)	1	1	1

NOTE: A-29581A Remote Control Assemblies are no longer available. For replacement - order A-30062A Remote Control Assemblies in length desired. Component parts are still stocked, so order your replacement parts accordingly.

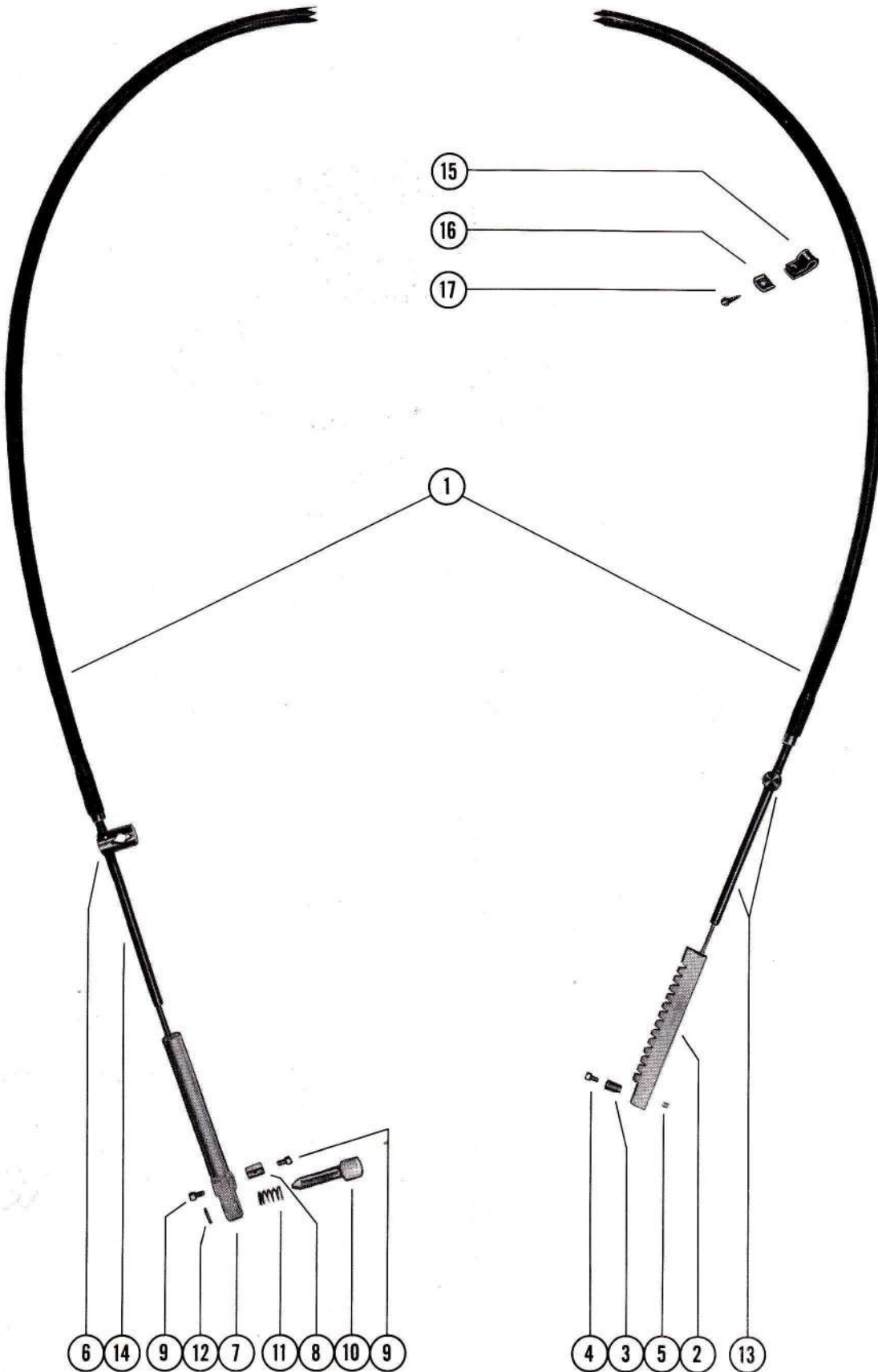
REMOTE CONTROL ASSEMBLY (ELECTRIC)

PART NO.	REF. NO.	DESCRIPTION	A-30470A
A-30470A10	-	Remote Control Assembly (electric)	1
A-30470A15	-	Remote Control Assembly (electric)	1
A-30470A20	-	Remote Control Assembly (electric)	1
C-30203	1	Housing, remote control - starboard	1
C-29640	2	Plate, rack retaining	2
C-10-26668	3	Screw, rack retaining to control housing	4
C-23-28314	4	Bushing, nylon - throttle sector actuator	2
C-29574	5	Actuator, link and throttle sector	1
C-23-29638	6	Bushing, nylon - throttle link	1
C-29576	7	Link, throttle - actuator and sector gear	1
C-12-29629	8	Washer, throttle link	1
C-18-29623	9	Cotter Pin, throttle link to actuator	1
C-43-29575	10	Gear, drive - actuator <i>(Drive Gear with detents - order A-43-31371)</i>	1
C-29647	11	Plate, separator - control cable anchor	1
C-10-29642	12	Screw, separator plate to control housing	2
C-29578A1	13	Throttle Shaft and Link Assembly	1
C-12-20583	14	Washer, throttle shaft link	1
C-18-21071	15	Cotter Pin, link to throttle shaft	1
C-29573	16	Block, control cable anchor	1
C-12-29626	17	Washer, throttle shaft link	1
C-18-21071	18	Cotter Pin, link to cable anchor block	1
C-12-29683	19	Washer, throttle shaft and link to housing	1
C-43-30204	20	Gear, throttle sector	1
C-12-29629	21	Washer, throttle link	1
C-53-29641	22	"E" Ring, throttle link to sector gear	1
C-29630	23	Cam Follower, throttle link	1
C-23-27132	24	Bushing, nylon - throttle and shift gear	2
C-43-30987	25	Gear, shift sector (13 teeth)	1
C-43-31802	25	Gear, shift sector (12 teeth)	1
C-12-29627	26	Washer, shift sector gear to housing	1
A-30986	27	Housing, remote control - port	1
A-30-29634	28	Ball, tension - drive gear (3/8")	1
A-24-29622	29	Spring, detent - drive gear ball (11/32" OD) <i>Early Style</i>	1
A-29838	30	Housing, detent spring	1
C-31370	28	Ball, tension - drive gear (7/16")	1
C-24-30891	29	Spring, detent - drive gear ball (27/64" OD) <i>Latest Style</i>	1
C-10-29837	31	Screw, retaining - detent spring housing	1
C-10-29389	32	Screw, remote control housing clamping (1 7/8")	2
C-10-29817	33	Screw, remote control housing clamping (1 5/8")	1
C-11-24652	34	Nut, remote control housing clamping screw	3
C-17-20009	35	Pin, detent - control housing sector gear	1
C-24-20010	36	Spring, detent pin	1
C-19-20011	37	Welch Plug, detent pin and spring retaining	1
C-23-29684	38	Bushing, nylon - throttle control lever to housing	1
C-29572	39	Lever, throttle control	1
C-37-31021	--	Tape, throttle control lever	1
C-10-29628	40	Screw, throttle control lever to housing	1
C-29675A2	41	Control Handle Assembly, throttle and shift <i>(2" shorter control handle - order A-31384A1)</i>	1
C-26183A5	42	Emblem, control handle	1
C-10-29671	43	Screw, control handle to housing	1
C-13-26992	44	Lockwasher, control handle fastening screw	1
C-10-29672	45	Screw, remote control housing to boat	2
C-12-20346	46	Washer, remote control housing screw	2
C-11-24652	47	Nut, remote control housing screw	2
A-30471-2	48	Wiring Harness, external (10')	1
A-30471-4	48	Wiring Harness, external (15')	1
A-30471-6	48	Wiring Harness, external (20')	1
A-29759	49	Switch, choke	1
A-30053	50	Collar, choke switch to control housing	1
A-29648	51	Jumper Wire, choke to ignition switch	1
C-30163	52	Switch, ignition (with keys) key part #C-30431—when ordering replacement keys also list number stamped on key	1
A-22628	53	Bezel, ignition switch to control housing	1
A-30866	54	Switch, safety - neutral starting	1
C-10-30902	55	Screw, safety switch to port housing	2
A-30795	56	Jumper Wire, safety switch to ignition switch	1
C-23-29902	57	Sleeve, safety switch leads	2
C-54-26685	58	Clip, inner - wiring harness to housing	1
C-10-26682	59	Screw, inner clip to control housing	1
C-22789	60	"D" Washer, inner clip fastening screw	1
C-54-22690	61	Clip, external wiring harness to boat	1
C-10-22793	62	Screw, external wiring harness clip to boat	1
C-22789	63	"D" Washer, wiring harness clip fastening screw	1
A-27913	64	Battery Terminal, negative (with bolt and nut)	1
A-27912	65	Battery Terminal, positive (with bolt and nut)	1

REMOTE CONTROL ASSEMBLY (ELECTRIC)



REMOTE CONTROL CABLE ASSEMBLY



REMOTE CONTROL CABLE ASSEMBLY

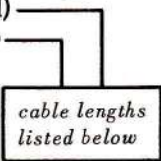
PART NO.	REF. NO.	DESCRIPTION	C-29564-S	C-34555A
C-29564-S	1	Remote Control Cable Assembly	1	-
C-34555A	1	Remote Control Cable Assembly	-	1
C-29577	2	Gear Rack, nylon (not as shown)	1	-
C-20007	3	Anchor, cable end - gear rack	1	-
C-10-20518	4	Screw, set - cable end anchor	1	-
C-10-20014	5	Screw, allen - cable end anchor	1	-
C-20552	6	Connector, throttle and shift	1	-
C-29880	7	Guide, cable control end	1	1
C-20007	8	Anchor, cable end guide	1	1
C-10-20518	9	Screw, set - cable end guide	2	2
C-17-29996	10	Pin, cable end guide	1	1
C-24-20099	11	Spring, cable end guide pin	1	1
C-17-23757	12	Roll Pin, cable end guide pin	1	1
C-29934A1	13	Trunnion and Insert Assembly (brass)	1	-
●C-38685A1	--	Trunnion Assembly (brass)	-	1
●C-38686	--	Ring, nylon - control cable trunnion	-	2
C-29935	14	Insert, cable end tube (steel)	1	-
C-54-24836	15	Clip, control cable to boat	1	1
C-22789	16	"D" Washer, clip fastening screw	1	1
C-10-22793	17	Screw, control cable clip fastening	1	1
C-25260	--	Inner Wire, remote control cable (100 ft. roll)	AR	-
C-36201A20	--	Inner Wire, remote control cable (20 ft.)	-	AR
C-36201A40	--	Inner Wire, remote control cable (40 ft.)	-	AR

Order in the following cable lengths: 5, 7, 9, 10, 11, 12, 13, 14, 15, 16, 17, 18, 19, 20, 21, 22, 23, 24, 25, 26, 27, 28, 29, 30, 31, 32, 33, 34, 35, 36, 39, and 40 ft.

NOTE: Longer cables available upon special order. Specify length required.

REMOTE CONTROL CABLE ASSEMBLY (EXTENSION KIT)

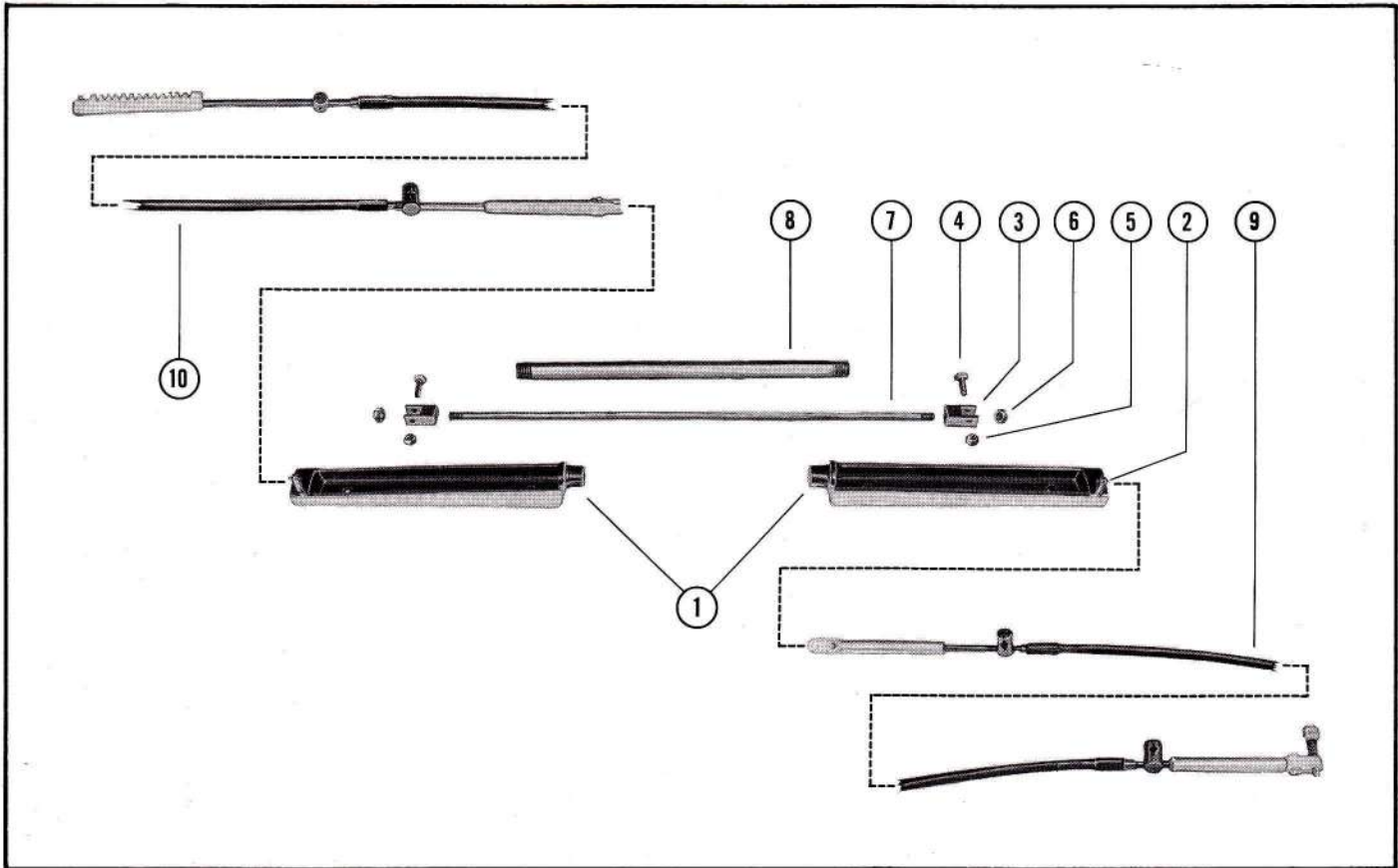
PART NO.	REF. NO.	DESCRIPTION	C-30033A	C-30032A
C-30033A	1	Remote Control Cable Assembly (control end)	1	-
C-30032A	1	Remote Control Cable Assembly (engine end)	-	1
C-29577	2	Gear Rack, nylon (not as shown)	1	-
C-20007	3	Anchor, cable end - gear rack	1	-
C-10-20518	4	Screw, set - cable end anchor	1	-
C-10-20014	5	Screw, allen - cable end anchor	1	-
C-20552	6	Connector, throttle and shift	1	2
C-29880	7	Guide, cable control end	1	-
C-20175	7	Guide, cable control end	-	2
C-20007	8	Anchor, cable end guide	1	2
C-10-20518	9	Screw, set - cable end guide	2	4
C-17-29996	10	Pin, cable end guide	-	1
C-24-20099	11	Spring, cable end guide pin	-	1
C-17-23757	12	Roll Pin, cable end guide pin	-	1
C-29934A1	13	Trunnion and Insert Assembly (brass)	1	-
C-29935	14	Insert, cable end tube (steel)	1	2
C-54-22740	15	Clip, control cable to boat	-	1
C-22789	16	"D" Washer, clip fastening screw	-	1
C-10-22793	17	Screw, control cable clip fastening	-	1
C-25260	--	Inner Wire, remote control cable (100 ft. roll)	AR	AR



Order C-30033A in the following cable lengths: A3, A4, A5, A6, A7, A8, A9, and A10.

Order C-30032A in the following cable lengths: A4, A5, A6, A7, A8, A9, and A10.

REMOTE CONTROL EXTENSION KIT



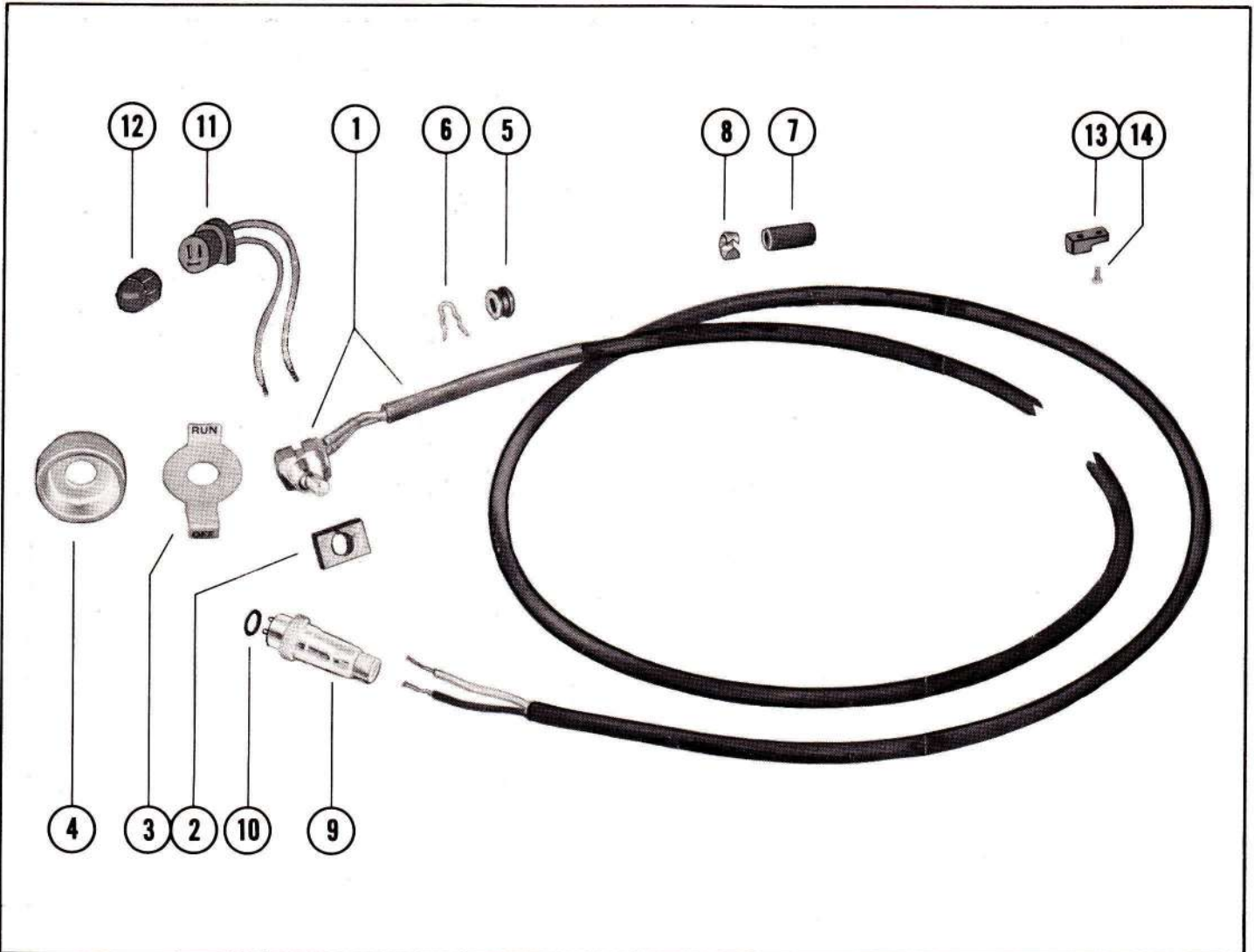
REMOTE CONTROL EXTENSION KIT

PART NO.	REF. NO.	DESCRIPTION	QUAN.
C-29377A1	-	Remote Control Extension Kit	1
C-29371A1	1	Bracket Assembly, extension	2
C-17-23928	2	Roll Pin, cable anchor pin (1/2")	2
C-29373	3	Coupling, control cable to rod	2
C-10-20653	4	Screw, coupling to control cable guide end	2
C-11-20586	5	Nut, coupling fastening screw (1/4")	2
C-11-20083	6	Nut, coupling to extension rod (5/16")	2
	7	Rod, (5/16") cable coupling to cable coupling	*
	8	Pipe, (3/8") extension bracket to extension bracket	*
A-29428A	9	Remote Control Cable Ass'y, engine end	1
A-29427A	10	Remote Control Cable Ass'y, control end	1
C-30032A	9	Remote Control Cable Ass'y, engine end	1
C-30033A	10	Remote Control Cable Ass'y, control end	1

* Customer to procure steel 5/16" rod and 3/8" galvanized pipe locally in required length.

NOTE: For 1959 and earlier Mercury models, order A-29428A_ and A-29427A_ control cable; and for 1960 Mercury models, order C-30032A_ and C-30033A_ control cables. See Page 3B or 31B for cable length desired.

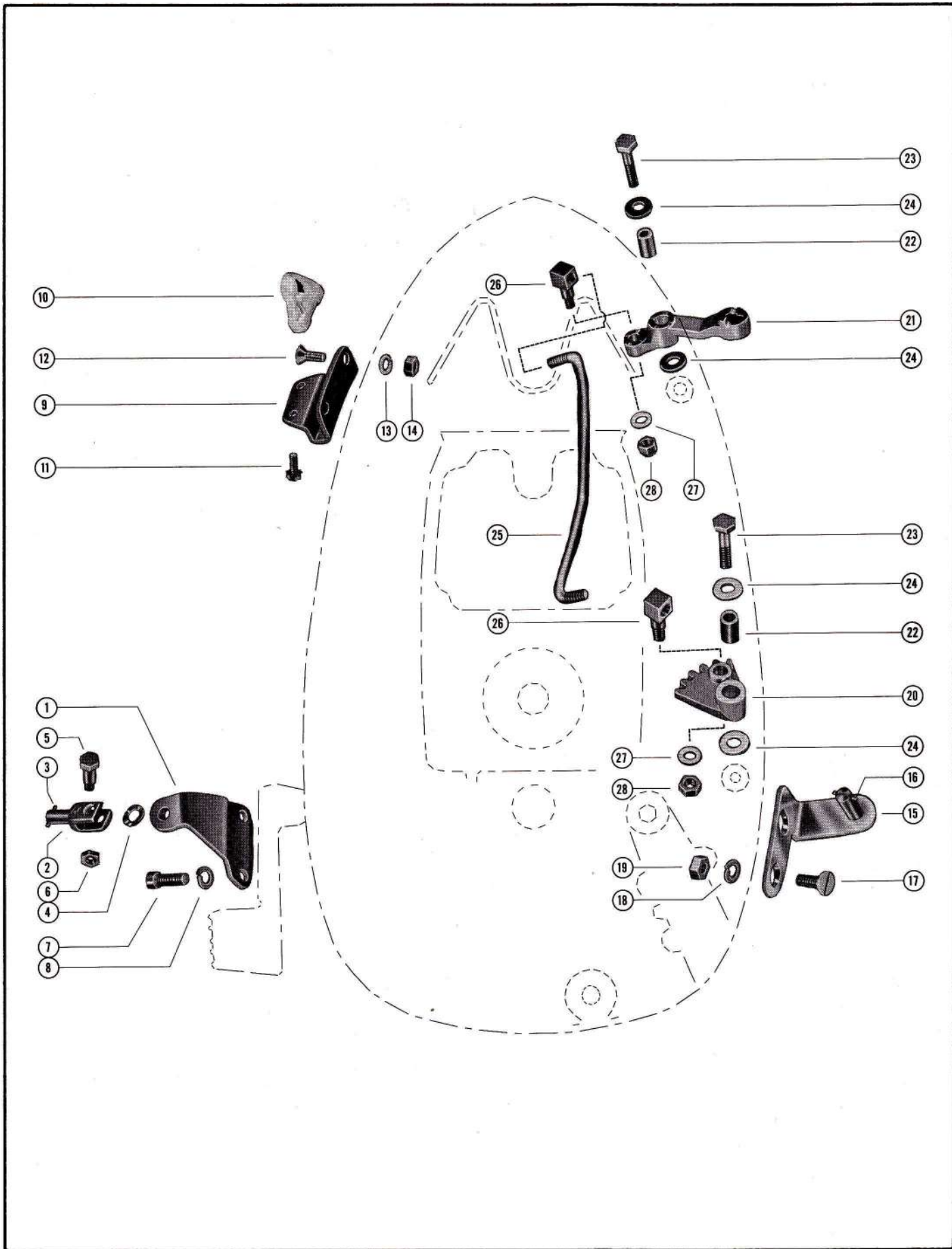
MAGNETO SHORTING SWITCH ASSEMBLY



PART NO.	REF. NO.	DESCRIPTION						
			A-29649A	A-31051A	A-35490A	A-35491A	A-48393A	A-57616A
A-29649A	1	Magneto Shorting Switch Assembly (10', 15' and 20')	1	-	-	-	-	-
A-31051A	1	Magneto Shorting Switch Assembly (10', 15' and 20')	-	1	-	-	-	-
A-35490A	1	Magneto Shorting Switch Assembly (10', 15' and 20')	-	-	1	-	-	-
A-35491A	1	Magneto Shorting Switch Assembly (10', 15' and 20')	-	-	-	1	-	-
A-48393A	1	Magneto Shorting Switch Assembly (10', 15' and 20')	-	-	-	-	1	-
●A-57616A	1	Magneto Shorting Switch Assembly (15' and 20')	-	-	-	-	-	1
C-23-52140	2	Bushing, toggle switch	-	-	-	-	1	1
A-29674	3	Plate, face - shorting switch	1	1	-	-	-	-
A-35489	3	Plate, face - shorting switch	-	-	1	1	1	-
●A-57945	3	Plate, face - shorting switch	-	-	-	-	-	1
A-29644	4	Bezel, shorting switch to remote control	1	1	1	1	1	1
C-25-20116	5	Grommet, switch lead wire	1	1	-	-	-	-
C-18-21069	6	Pin, hair - switch lead wire	1	1	-	-	-	-
C-23-34947	7	Sleeve, switch lead wire	-	-	1	1	1	1
C-54-20386	8	Clamp, switch lead wire sleeve	-	-	1	1	1	1
A-21105	9	Connector, shorting switch lead wire	1	-	-	1	-	-
A-31054	9	Connector, shorting switch lead wire	-	1	1	-	1	-
C-25-21706	10	"O" Ring, shorting switch connector	1	-	-	1	-	-
C-12-31053	10	Washer, sealing - shorting switch connector	-	1	1	-	1	-
A-48392	11	Connector, tachometer	-	-	-	-	1	-
A-45940	12	Cap, tachometer connector	-	-	-	-	1	-
A-45915	13	Terminal Block	-	-	-	-	1	-
C-10-37260	14	Screw, terminal block to control housing	-	-	-	-	-	1

See index page for engine models to insure ordering correct magneto shorting switch assembly.

REMOTE CONTROL ATTACHMENT PARTS KIT



REMOTE CONTROL ATTACHMENT PARTS KIT

PART NO.	REF. NO.	DESCRIPTION	QUAN.
A-30917A2	-	Remote Control Attachment Parts Kit <i>(see note below)</i>	1
A-30917	1	Bracket, shift lever - remote control cable	1
A-17-30978A1	2	Clevis Yoke Pin Assembly	1
C-17-23928	3	Roll Pin, clevis yoke pin	1
C-13-29402	4	Washer, wave - clevis yoke pin tension	1
C-10-20584	5	Screw, clevis yoke pin to shift lever bracket	1
C-11-29488	6	Nut, clevis yoke pin fastening screw	1
C-10-20540	7	Screw, shift lever bracket to shift control handle	2
C-13-26992	8	Lockwasher, shift lever bracket fastening screw	2
A-30922	9	Bracket, shift cable	1
A-20557	10	Bracket, cable end anchor	1
C-10-29200	11	Screw, anchor bracket to shift cable bracket	2
C-10-31163	12	Screw, shift cable bracket to bottom cowl	2
C-13-26992	13	Lockwasher, shift cable bracket fastening screw	2
C-11-20088	14	Nut, shift cable bracket fastening screw	2
A-30921A2	15	Bracket Assembly, throttle cable	1
C-17-23928	16	Roll Pin, throttle cable bracket	1
C-10-31163	17	Screw, throttle cable bracket to bottom cowl	2
C-13-26992	18	Lockwasher, throttle cable bracket fastening screw	2
C-11-20088	19	Nut, throttle cable bracket fastening screw	2
A-43-30973	20	Gear, throttle sector	1
A-30918	21	Lever, throttle - remote control cable	1
A-23-30972	22	Bushing, throttle lever and sector gear	2
C-10-24878	23	Screw, throttle lever and sector gear to bottom cowl	2
C-12-30971	24	Washer, throttle lever and sector gear fastening screw	4
A-30920	25	Rod, link - sector gear to throttle lever	1
C-27948	26	Swivel, link rod	2
C-12-29245	27	Washer, link rod swivel	2
C-11-20361	28	Nut, swivel to throttle lever and sector gear	2

NGTE: Use on all Merc 60 engines up to and including serial #1486473. Do not use on Merc 110 engines.

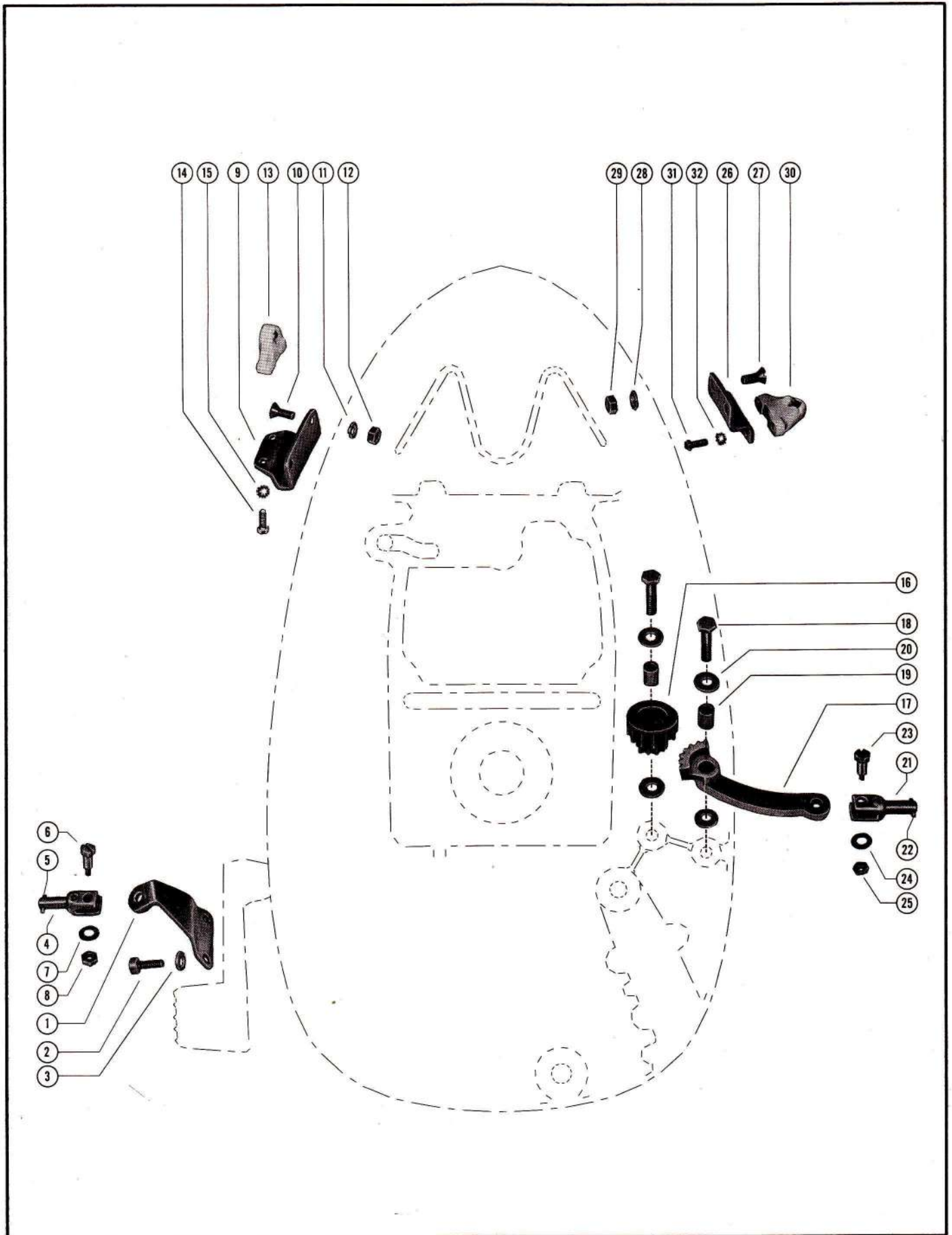
REMOTE CONTROL ATTACHMENT PARTS KIT

PART NO.	REF. NO.	DESCRIPTION	QUAN.
A-30917A3	-	Remote Control Attachment Parts Kit <i>(see note below)</i>	1
A-30917	1	Bracket, shift lever - remote control cable	1
C-10-20540	2	Screw, shift lever bracket to shift control handle	2
C-13-26992	3	Lockwasher, shift lever bracket screw	2
A-17-30978A1	4	Clevis Yoke Pin Assembly	1
C-17-23928	5	Roll Pin, clevis yoke pin	1
C-10-20584	6	Screw, clevis yoke pin to shift lever bracket	1
C-13-29402	7	Washer, wave - clevis yoke pin screw	1
C-11-29488	8	Nut, clevis yoke pin fastening screw	1
A-30922	9	Bracket, shift cable - bottom cowl	1
C-10-31163	10	Screw, shift cable bracket to bottom cowl	2
C-13-26992	11	Lockwasher, shift cable bracket screw	2
C-11-20088	12	Nut, shift cable bracket fastening screw	2
A-20557	13	Bracket, cable end anchor	1
C-10-20100	14	Screw, anchor bracket to shift cable bracket	2
C-13-20554	15	Lockwasher, anchor bracket fastening screw	2
A-43-31805	16	Gear, idler	1
A-43-31804	17	Gear, lever sector	1
C-10-24878	18	Screw, idler gear and sector gear to bottom cowl	2
A-23-30972	19	Bushing, idler gear and sector gear screw	2
C-12-30971	20	Washer, idler gear and sector gear screw	4
A-17-30978A1	21	Clevis Yoke Pin Assembly	1
C-17-23928	22	Roll Pin, clevis yoke pin	1
C-10-20584	23	Screw, clevis yoke pin to lever sector gear	1
C-13-29402	24	Washer, wave - clevis yoke pin screw	1
C-11-29488	25	Nut, clevis yoke pin fastening screw	1
A-31806	26	Bracket, throttle cable - bottom cowl	1
C-10-31163	27	Screw, throttle cable bracket to bottom cowl	2
C-13-26992	28	Lockwasher, throttle cable bracket screw	2
C-11-20088	29	Nut, throttle cable bracket fastening screw	2
A-20557	30	Bracket, cable end anchor	1
C-10-20100	31	Screw, anchor bracket to throttle cable bracket	2
C-13-20554	32	Lockwasher, anchor bracket fastening screw	2

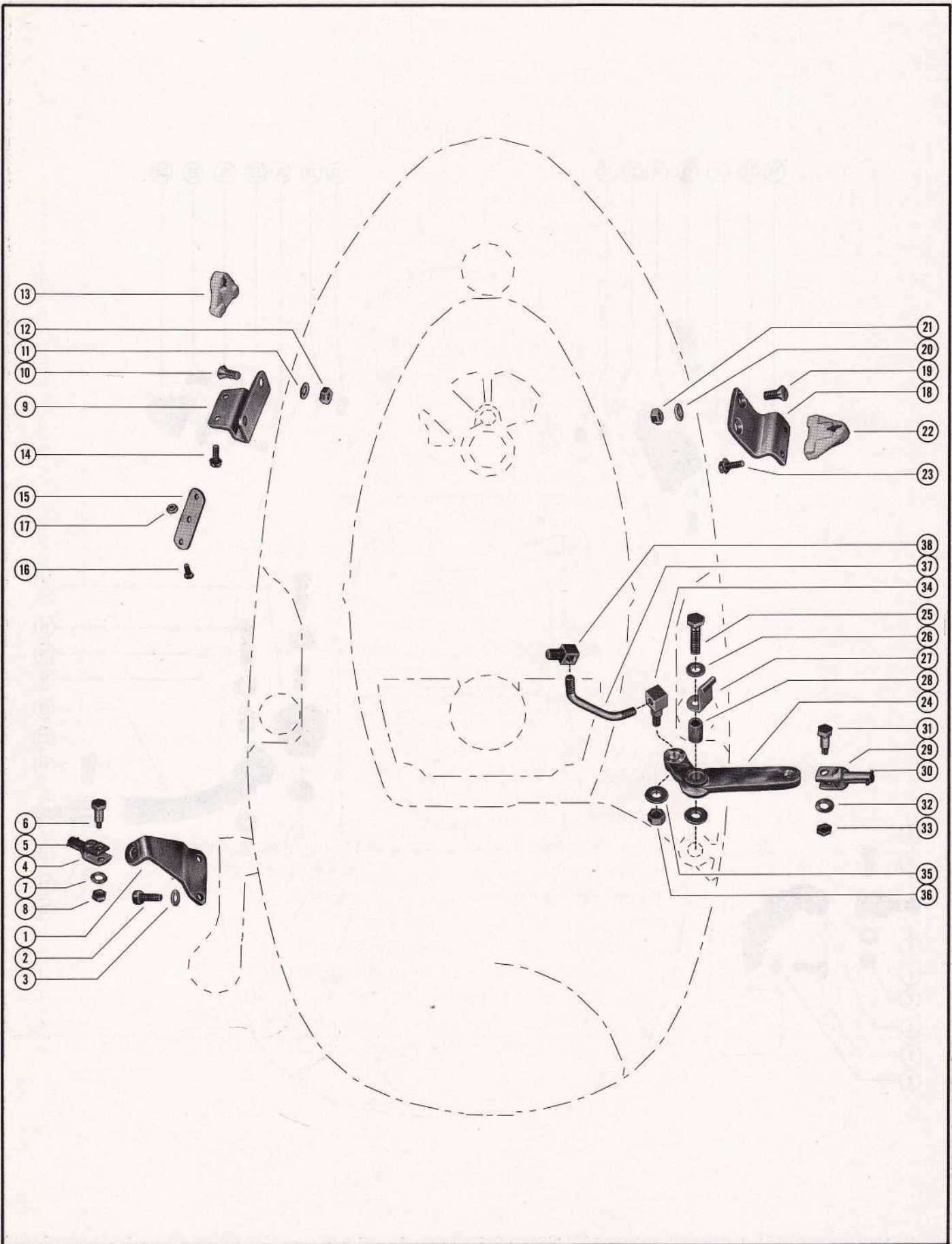
This Kit to be used with: Merc 60 - Serial #1486474 thru Serial #1882270.

Merc 110 - Serial #1470349 thru Serial #1909357.

REMOTE CONTROL ATTACHMENT PARTS KIT



REMOTE CONTROL ATTACHMENT PARTS KIT



REMOTE CONTROL ATTACHMENT PARTS KIT

PART NO.	REF. NO.	DESCRIPTION	QUAN.
A-30917A5	-	Remote Control Attachment Kit <i>(see note below)</i>	1
A-30917	1	Bracket, shift lever - remote control cable	1
C-10-20540	2	Screw, shift lever bracket to shift control handle	2
C-13-26992	3	Lockwasher, shift lever bracket screw	2
A-17-30978A1	4	Clevis Yoke Pin Assembly	1
C-17-23928	5	Roll Pin, clevis yoke pin	1
C-10-20584	6	Screw, clevis yoke pin to shift lever bracket	1
C-13-29402	7	Washer, wave - clevis yoke pin screw	1
C-11-29488	8	Nut, clevis yoke pin fastening screw	1
A-33514	9	Bracket, shift cable - bottom cowl	1
C-10-31163	10	Screw, shift cable bracket to bottom cowl	2
C-13-26992	11	Lockwasher, shift cable bracket screw	2
C-11-20088	12	Nut, shift cable bracket fastening screw	2
A-20557	13	Bracket, cable end anchor	1
C-10-29200	14	Screw, anchor bracket to shift cable bracket	2
A-35766	15	Extension, shift cable bracket	1
C-10-20100	16	Screw, extension to bracket	1
C-11-29488	17	Nut, extension fastening nut	1
A-33611	18	Bracket, throttle cable - bottom cowl	1
C-10-31163	19	Screw, throttle cable bracket to bottom cowl	2
C-13-26992	20	Lockwasher, throttle cable bracket screw	2
C-11-20088	21	Nut, throttle cable bracket fastening screw	2
A-20557	22	Bracket, cable end anchor	1
C-10-29200	23	Screw, anchor bracket to throttle cable bracket	2
A-33612	24	Lever, remote throttle control	1
C-10-24878	25	Screw, throttle control lever to bottom cowl	1
C-12-30971	26	Washer, throttle control lever screw	2
A-54-33747	27	Clip, retainer - sound seal	1
A-23-30972	28	Bushing, throttle control lever screw	1
A-17-30978A1	29	Clevis Yoke Pin Assembly	1
C-17-23928	30	Roll Pin, clevis yoke pin	1
C-10-20584	31	Screw, clevis yoke pin to throttle control lever	1
C-13-29402	32	Washer, wave - clevis yoke pin screw	1
C-11-29488	33	Nut, clevis yoke pin fastening screw	1
A-27948	34	Swivel, throttle control lever	1
C-12-29245	35	Washer, throttle control lever swivel	1
C-11-20361	36	Nut, swivel to throttle control lever	1
A-33610	37	Link, throttle control - swivel to swivel	1
A-27947	38	Swivel, throttle control link to control lever	1

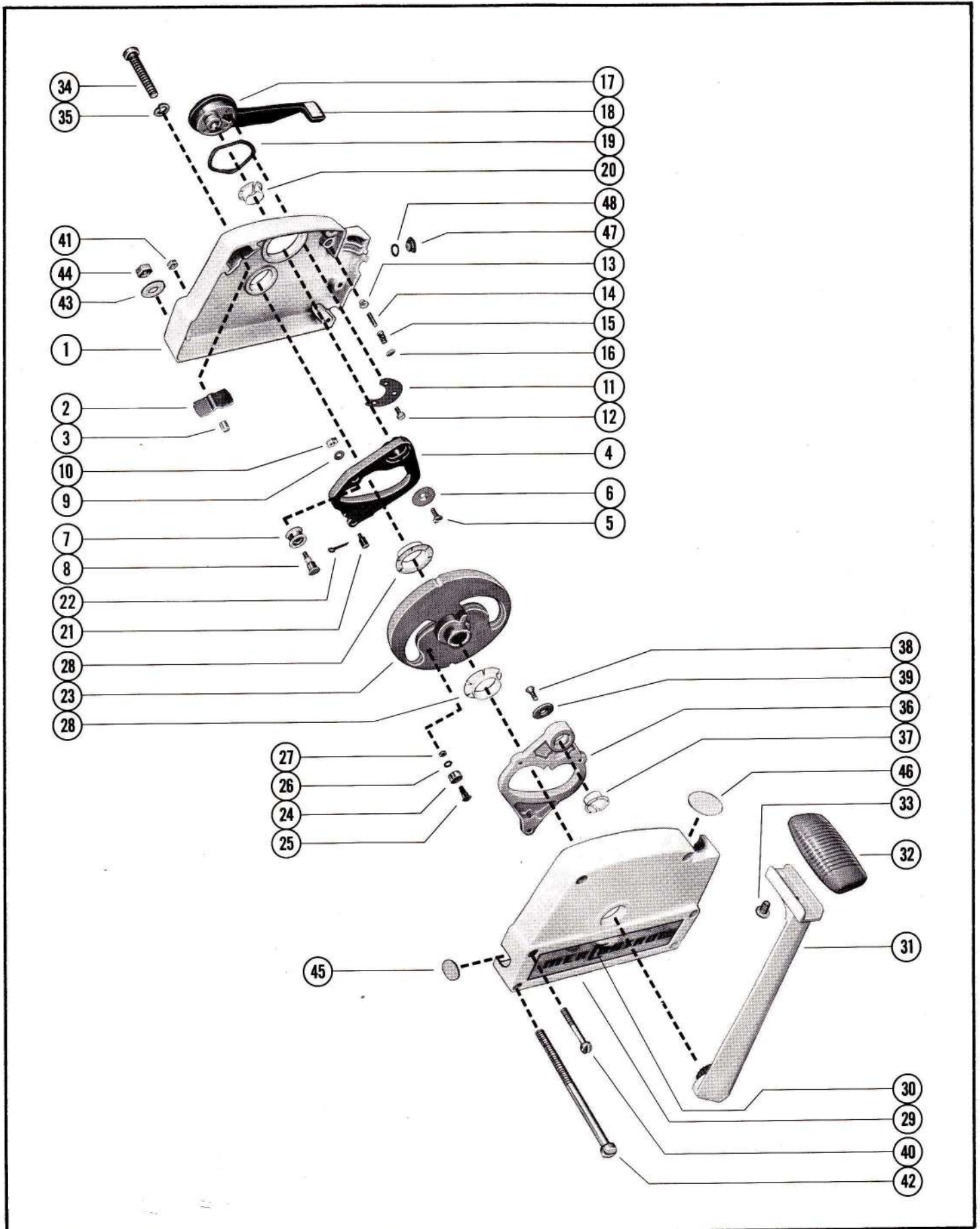
This Kit to be used with: Merc 200 "Full Gear Shift" - Serial #1558310 thru Serial #1907765.

REMOTE CONTROL ASSEMBLY (STANDARD)

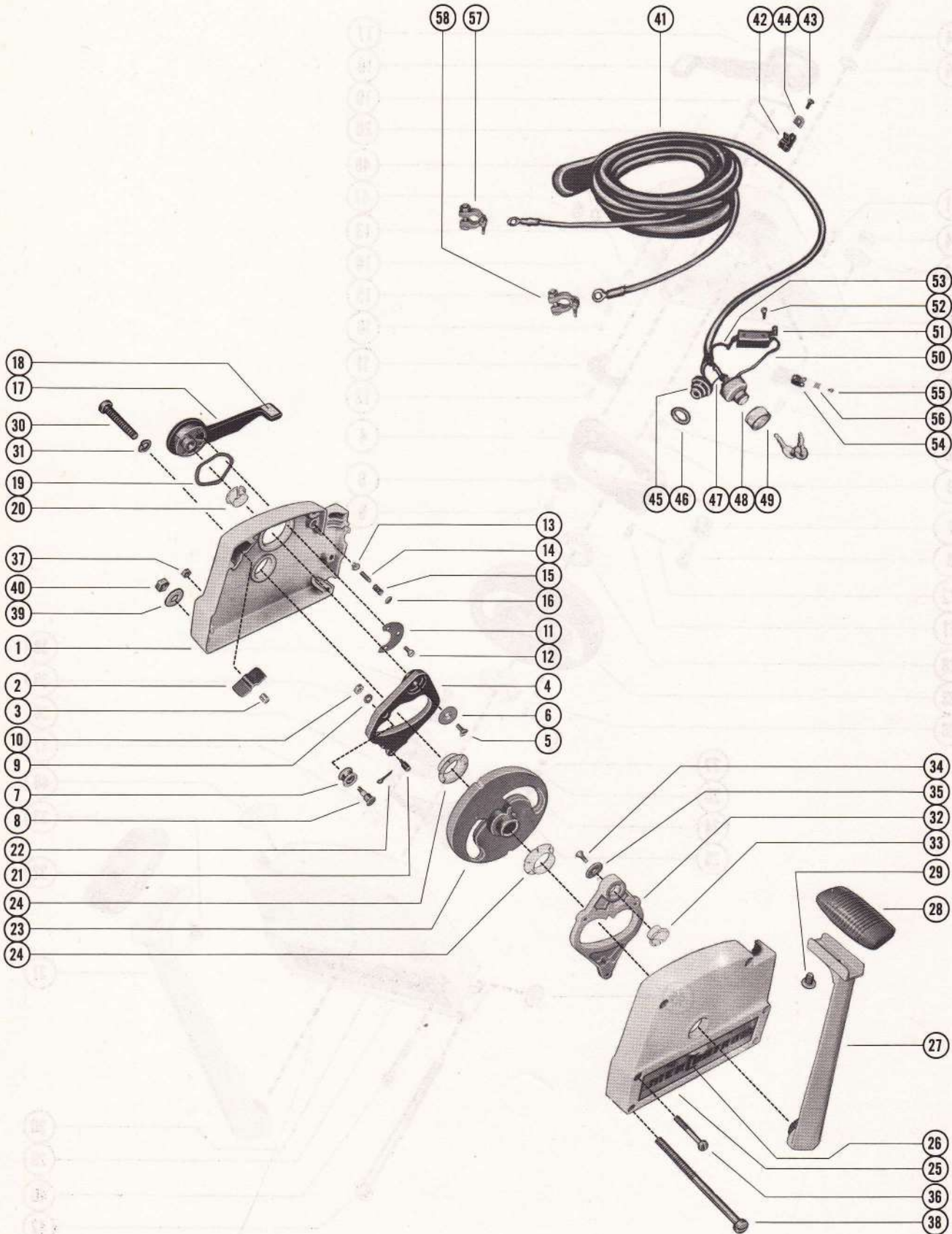
PART NO.	REF. NO.	DESCRIPTION	A-34741A1	A-45955A2	A-45955A5	A-59369A1
A-34741A1	-	Remote Control Assembly, Complete (standard)	1	-	-	-
A-45955A2	-	Remote Control Assembly, Complete (standard) -white	-	1	-	-
A-45955A5	-	Remote Control Assembly, Complete (standard) -black	-	-	1	-
●A-59369A1	-	Remote Control Assembly, Complete (standard)	-	-	-	1
C-34669	1	Housing, remote control (starboard)	1	-	-	-
C-45880	1	Housing, remote control (starboard) -white	-	1	-	-
C-45880-2	1	Housing, remote control (starboard) -black	-	-	1	1
C-24-34683	2	Spring, detent - control housing	2	2	2	2
C-34992	3	Roller, detent spring	1	1	1	1
C-34671	4	Lever, throttle - control housing	1	1	1	1
C-10-34676	5	Screw, throttle lever to neutral warm-up lever	1	1	1	1
C-12-34675	6	Washer, throttle lever screw	1	1	1	1
C-34672	7	Cam Roller, throttle lever	1	1	1	1
C-17-34673	8	Pin, cam roller to throttle lever	1	1	1	1
C-12-34680	9	Washer, cam roller pin	1	1	1	1
C-11-31953	10	Nut, cam roller to throttle lever pin	1	1	1	1
A-34679	11	Plate, thrust - control housing	1	1	1	1
C-10-47220	12	Screw, thrust plate to neutral warm-up lever	3	3	3	3
C-17-20009	13	Pin, detent - control housing neutral warm-up lever	1	1	1	1
C-24-35210	14	Spring, detent pin	1	1	1	1
C-24-35227	15	Spring, detent pin tension	1	1	1	1
C-19-20011	16	Welch Plug, detent pin and spring retaining	1	1	1	1
C-34670	17	Lever, neutral warm-up - control housing (white)	1	1	-	-
C-34670-2	17	Lever, neutral warm-up - control housing (black)	-	-	1	1
C-37-31021	18	Tape, neutral warm-up lever	1	1	-	-
C-13-34678	19	Washer, wave - neutral warm-up lever	1	1	1	1
C-23-33589	20	Bushing, nylon - neutral warm-up lever (5/8" I.D.)	1	1	1	1
C-17-34692	21	Pin, shift and throttle levers	2	2	2	2
C-18-29623	22	Cotter Pin, shift and throttle lever pins	2	2	2	2
C-54911	23	Face Cam	1	1	1	-
●A-59787	23	Face Cam	-	-	-	1
●A-59371	24	Cam Follower	-	-	-	1
C-17-34673	25	Pin, cam follower to face cam	-	-	-	1
●C-23-59370	26	Spacer, cam follower pin	-	-	-	1
C-11-31953	27	Nut, cam follower pin	-	-	-	1
C-23-34677	28	Bushing, nylon - face cam (1" I.D.)	2	2	2	2
C-34681	29	Housing, remote control (port)	1	-	-	-
C-45939	29	Housing, remote control (port) -white	-	1	-	-
C-45939-2	29	Housing, remote control (port) -black	-	-	1	1
C-37-34983	30	Decal, control housing (MerControl)	1	-	-	-
C-37-46424	30	Decal, control housing (MerControl)	-	1	-	1
C-37-55326	30	Decal, control housing (MerControl)	-	-	1	-
C-37-55325	--	Decal, control housing	-	-	1	1
C-34689	31	Lever, control (white)	1	1	-	-
C-34689-2	31	Lever, control (black)	-	-	1	1
C-36005	32	Grip, control lever (black)	1	1	-	-
C-55339	32	Grip, control lever (red)	-	-	1	1
C-10-37342	33	Screw, grip to control lever (7/16")	2	2	2	2
C-10-34691	34	Screw, control lever to face cam (1 1/2")	1	1	1	1
C-13-26992	35	Lockwasher, control lever screw	1	1	1	1
C-34682	36	Lever, shift - control housing	1	1	1	-
●A-59372	36	Lever, shift - control housing	-	-	-	1
C-23-33589	37	Bushing, nylon - shift lever (5/8" I.D.)	1	1	1	1
C-10-34676	38	Screw, shift lever to control housing	1	1	1	1
C-12-34675	39	Washer, shift lever screw	1	1	1	1
C-10-37941	40	Screw, remote control housing clamping	4	4	4	4
C-11-34688	41	Nut, remote control housing clamping screw	4	4	4	4
C-10-34900	42	Screw, remote control to boat (4 1/4")	2	2	2	2
C-12-20346	43	Washer, remote control screw	2	2	2	2
C-11-24652	44	Nut, remote control to boat screw	2	2	2	2
C-19-45918	45	Plug, connector - port remote control housing	-	1	-	-
C-19-55348	45	Plug, connector - port remote control housing	-	-	1	1
C-19-30064	46	Plug, choke switch hole	1	1	-	-
C-19-55350	46	Plug, choke switch hole	-	-	1	1
C-19-31682	47	Plug, starter switch hole	1	-	-	-
C-25-20034	48	"O" Ring, starter switch hole plug } <i>early models</i>	1	-	-	-
C-19-45119	47	Plug, starter switch hole <i>(late models)</i>	1	1	-	-
C-19-55349	47	Plug, starter switch hole	-	-	1	1

NOTE: For use on 2 and 4-cylinder standard engines

REMOTE CONTROL ASSEMBLY (STANDARD)



REMOTE CONTROL ASSEMBLY (ELECTRIC)

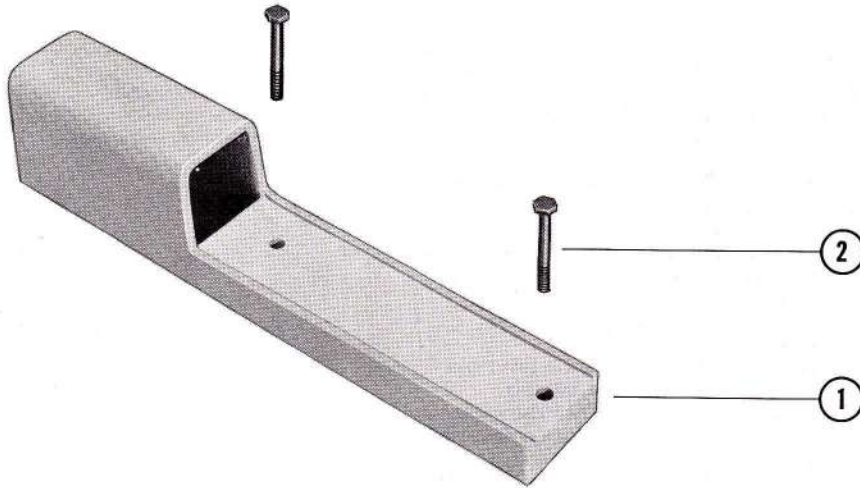


REMOTE CONTROL ASSEMBLY (ELECTRIC)

PART NO.	REF. NO.	DESCRIPTION	A-34743A	A-34742A	A-34693A	A-39444A
A-34743A#	-	Electric Remote Control Assembly, Complete (use with 2 cylinder electric engines)	1	-	-	-
A-34742A#	-	Electric Remote Control Assembly, Complete (use with 4 cylinder electric engines)	-	1	-	-
A-34693A#	-	Electric Remote Control Assembly, Complete (use with 6 cylinder electric engines)	-	-	1	-
A-39444A#	-	Electric Remote Control Assembly, Complete (use with 4 and 6 cyl. 1966 electric engines)	-	-	-	1
C-34669	1	Housing, remote control (starboard)	1	1	1	1
C-24-34683	2	Spring, detent - control housing	2	2	2	2
C-34992	3	Roller, detent spring	1	1	1	1
C-34671	4	Lever, throttle - control housing	1	1	1	1
C-10-34676	5	Screw, throttle lever to neutral warm-up lever	1	1	1	1
C-12-34675	6	Washer, throttle lever screw	1	1	1	1
C-34672	7	Cam Roller, throttle lever	1	1	1	1
C-17-34673	8	Pin, cam roller to throttle lever	1	1	1	1
C-12-34680	9	Washer, cam roller pin	1	1	1	1
C-11-31953	10	Nut, cam roller to throttle lever pin	1	1	1	1
A-34679	11	Plate, thrust - control housing	1	1	1	1
C-10-29762	12	Screw, thrust plate to neutral warm-up lever	3	3	3	3
C-17-20009	13	Pin, detent - control housing neutral warm-up lever	1	1	1	1
C-24-35210	14	Spring, detent pin	1	1	1	1
C-24-35227	15	Spring, detent pin tension	1	1	1	1
C-19-20011	16	Welch Plug, detent pin and spring retaining	1	1	1	1
C-34670	17	Lever, neutral warm-up - control housing	1	1	1	1
C-37-31021	18	Tape, neutral warm-up lever	1	1	1	1
C-13-34678	19	Washer, wave - neutral warm-up lever	1	1	1	1
C-23-33589	20	Bushing, nylon - neutral warm-up lever (5/8" I.D.)	1	1	1	1
C-17-34692	21	Pin, shift and throttle levers	2	2	2	2
C-18-29623	22	Cotter Pin, shift and throttle lever pins	2	2	2	2
C-34687	23	Face Cam	1	1	1	1
C-23-34677	24	Bushing, nylon - face cam (1" I.D.)	2	2	2	2
C-34681	25	Housing, remote control (port)	1	1	1	1
C-37-34983	26	Decal, control housing (MerControl)	1	1	1	1
C-34689	27	Lever, control	1	1	1	1
C-36005	28	Grip, control lever (black)	1	1	1	1
C-10-37342	29	Screw, grip to control lever (7/16")	2	2	2	2
C-10-34691	30	Screw, control lever to face cam (1 1/2")	1	1	1	1
C-13-26992	31	Lockwasher, control lever screw	1	1	1	1
C-34682	32	Lever, shift - control housing	1	1	1	1
C-23-33589	33	Bushing, nylon - shift lever (5/8" I.D.)	1	1	1	1
C-10-34676	34	Screw, shift lever to control housing	1	1	1	1
C-12-34675	35	Washer, shift lever screw	1	1	1	1
C-10-37941	36	Screw, remote control housing clamping	4	4	4	4
C-11-34688	37	Nut, remote control housing clamping screw	4	4	4	4
C-10-34900	38	Screw, remote control to boat (4 1/4")	2	2	2	2
C-12-20346	39	Washer, remote control screw	2	2	2	2
C-11-24652	40	Nut, remote control to boat screw	2	2	2	2
A-34200 -	41	Wiring Harness, external (available in lengths of 10', 15', 20' and 40')	1	-	-	-
A-29645 -	41	Wiring Harness, external (available in lengths of 10', 15', 20' and 40')	-	1	-	-
A-30471 -	41	Wiring Harness, external (available in lengths of 10', 15', 20' and 40')	-	-	1	-
A-39125 -	41	Wiring Harness, external (available in lengths of 10', 15', 20' and 40')	-	-	-	1
C-54-22690	42	Clamp, external wiring harness to boat	1	1	1	1
C-10-22793	43	Screw, wood - wiring harness clip to boat	1	1	1	1
C-22789	44	"D" Washer, wiring harness clip screw	1	1	1	1
C-29759	45	Switch, choke	1	1	1	1
A-30053	46	Collar, choke switch to control housing	1	1	1	1
A-29648	47	Jumper Wire, choke switch to ignition switch	1	1	1	-
A-39180	47	Jumper Wire, choke switch to ignition switch	-	-	-	1
A-34198	48	Switch, ignition (with keys) key part #C-30431	1	-	-	-
C-30162	48	Switch, ignition (with keys) key part #C-30431	-	1	-	1
C-30163	48	Switch, ignition (with keys) key part #C-30431	-	-	1	-
A-22628	49	Bezel, ignition switch to control housing	1	1	1	1
A-30795	50	Jumper Wire, safety switch to ignition switch	-	1	1	1
A-34621	51	Switch, safety	-	1	1	1
C-10-30902	52	Screw, safety switch to control housing	-	-	2	2
C-23-29902	53	Sleeve, safety switch leads	-	2	2	2
C-54-26685	54	Clip, inner - wiring harness to control housing	1	1	1	1
C-10-26682	55	Screw, wiring harness clip to control housing (10-32)	1	1	1	-
C-10-37260	55	Screw, wiring harness clip to control housing (10-16)	-	-	-	1
C-22789	56	"D" Washer, wiring harness clip screw	1	1	1	1
A-27913	57	Battery Terminal, negative (with bolt and nut)	1	1	1	1
A-27912	58	Battery Terminal, positive (with bolt and nut)	1	1	1	1

New style MerControl Assembly is available in lengths of 10', 15', 20' and 40'.

REMOTE CONTROL INSTALLATION KIT

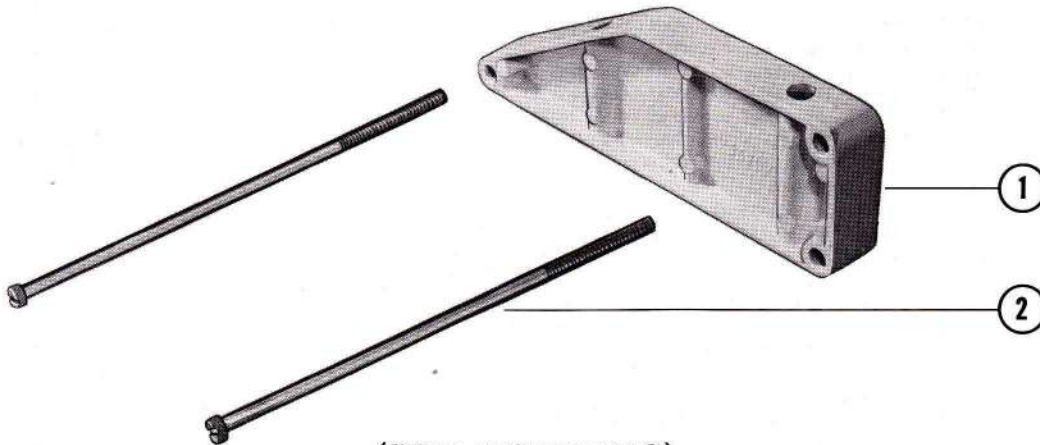


(BOTTOM MOUNTING)

PART NO.	REF. NO.	DESCRIPTION	C-35158A1	C-35158A2
C-35158A1	1	Remote Control Installation Kit (white)	1	-
C-35158A2	1	Remote Control Installation Kit (black)	-	1
C-10-28424	2	Screw, spacer to boat (2 1/8")	2	2

NOTE: The 2 kits shown on this page are to be used with the new style MerControl Assembly only.

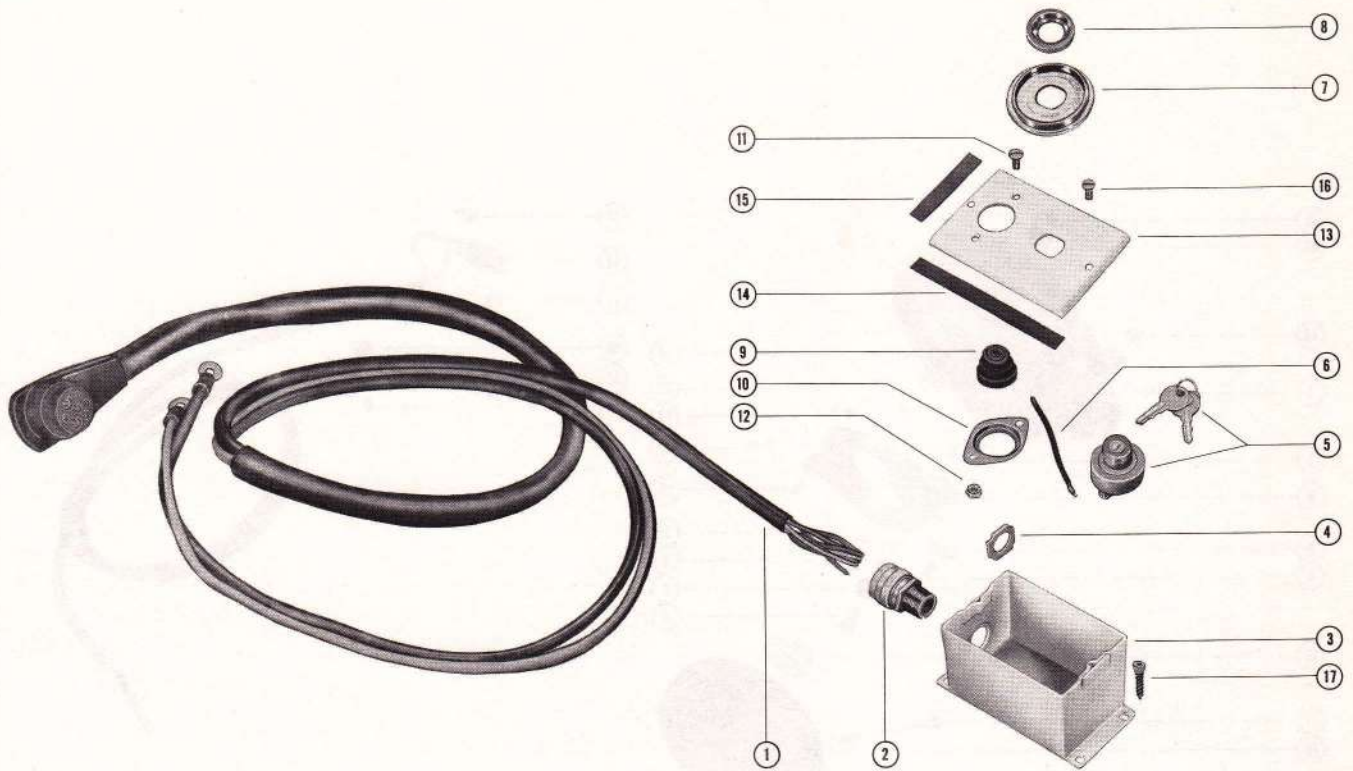
REMOTE CONTROL DUAL INSTALLATION KIT



(SIDE MOUNTING)

PART NO.	REF. NO.	DESCRIPTION	C-34766A1	C-34766A2
C-34766A1	1	Remote Control Dual Installation Kit (white)	1	-
C-34766A2	1	Remote Control Dual Installation Kit (black)	-	1
C-10-34768	2	Screw, remote control to spacer (7 1/2")	2	2

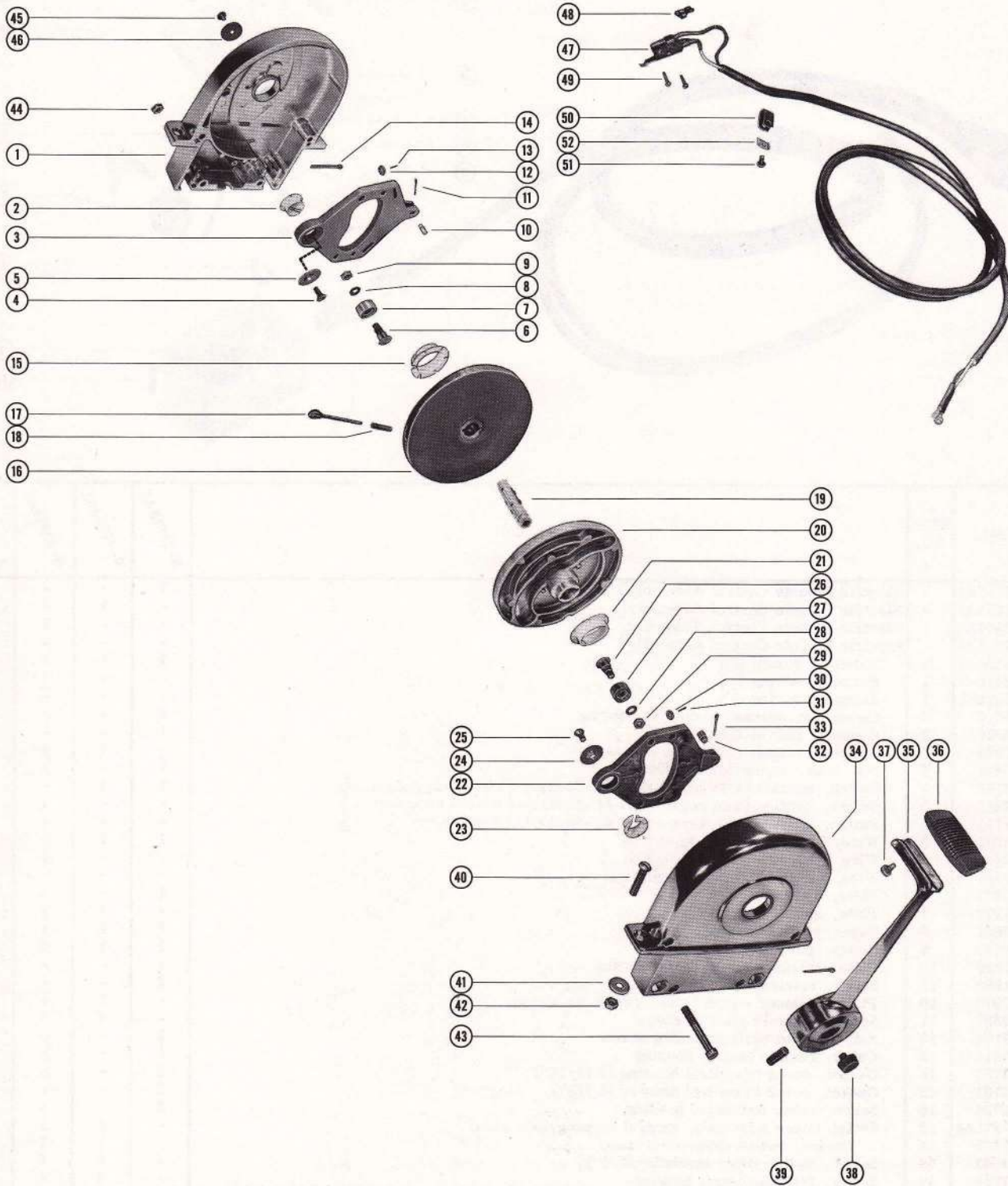
REMOTE CONTROL ASSEMBLY (ELECTRIC)



PART NO.	REF. NO.	DESCRIPTION	A-35615A1	A-47974A1	A-47974A2	A-47974A3
A-35615A1	-	Electric Remote Control Assembly	1	-	-	-
A-47974A1	-	Electric Remote Control Assembly	-	1	-	-
●A-47974A2	-	Electric Remote Control Assembly	-	-	1	-
●A-47974A3	-	Electric Remote Control Assembly	-	-	-	1
A-34200-5	1	Harness, wiring (5')	1	1	-	-
●A-57416-5	1	Harness, wiring (5')	-	-	1	-
●A-45876-5	1	Harness, wiring (5')	-	-	-	1
A-22-35616	2	Connector, harness to control housing	1	-	-	-
A-35615	3	Housing, remote control	1	-	-	-
A-47974	3	Housing, remote control (not as shown)	-	1	1	1
C-11-35617	4	Nut, lock - connector to housing	1	-	-	-
A-34198	5	Switch, ignition (with keys - part #C-30431)	1	1	-	-
●A-57485	5	Switch, ignition (with keys - part #C-30431)	-	-	1	-
A-54211	5	Switch, ignition (with keys - part #C-30431)	-	-	-	1
A-26672	6	Wire, jumper - switch to switch	1	1	-	-
A-32469	6	Wire, jumper - switch to switch	-	-	1	-
A-39180	6	Wire, jumper - switch to switch	-	-	-	1
C-38-46971	7	Plate, ignition switch	1	-	-	-
A-38-47972	7	Plate, ignition switch	-	1	1	1
C-32861	8	Bezel, plate and switch to cover	1	1	1	1
C-29759	9	Switch, push button	1	1	1	1
C-31899	10	Plate, retainer - push button switch	1	-	-	-
C-10-31903	11	Screw, retainer plate to cover	2	-	-	-
A-47973	10	Plate, retainer - push button switch (not as shown)	-	1	1	1
A-10-49597	11	Screw, retainer plate to cover	-	4	4	4
C-11-27164	12	Nut, retainer plate fastening screw	2	-	-	-
A-35618	13	Cover, remote control housing	1	-	-	-
A-27-35750	14	Gasket, cover to control housing (3 11/16")	2	-	-	-
A-27-35751	15	Gasket, cover to control housing (2 7/8")	2	-	-	-
C-10-22794	16	Screw, cover to control housing	2	-	-	-
A-47971A1	13	Switch Cover Assembly, control housing (not as shown)	-	1	1	1
A-27-47975	14	Gasket, switch cover (not as shown)	-	1	1	1
C-10-30663	16	Screw, switch cover insulator (3/8")	-	4	4	4
C-10-47994	17	Screw, remote control housing	-	4	4	4

NOTE: A-35615A1 Control Assembly may be installed only on those Merc 350S and 350SL engines where a steering handle is used.
 A-47974A1 Control Assembly may be installed only on Merc 200 engines where an electric starter kit is used. (Serial #282766 and below)
 A-47974A2 Control Assembly may be installed only on Merc 200 engines where an electric starter kit is used. (Serial #282767 and up)
 A-47974A3 Control Assembly may be installed only on Merc 400 (2 cylinder) engines where an electric starter kit is used.

REMOTE CONTROL ASSEMBLY (Console Mounted)



REMOTE CONTROL ASSEMBLY (Console Mounted)

PART NO.	REF. NO.	DESCRIPTION	QUAN.
C-35651A1	-	Remote Control Assembly, Complete (console mounted) - see note below	1
C-35940	1	Housing, remote control (starboard)	1
C-23-33589	2	Bushing, nylon - shift lever (5/8" I. D.)	1
C-35649	3	Lever, shift	1
C-10-34676	4	Screw, shift lever to control housing	1
C-12-34675	5	Washer, retaining - shift lever screw	1
C-17-35951	6	Pin, cam roller to shift lever	2
C-35943	7	Cam Roller, shift lever	2
C-12-35950	8	Washer, cam roller pin	2
C-11-34688	9	Nut, cam roller pin	2
C-17-35944	10	Pin, control cable to shift lever	1
C-18-29623	11	Cotter Pin, control to shift lever pin	1
C-35942	12	Roller Guide, shift lever	2
C-17-29908	13	Pin, roller guide to shift lever	2
C-18-36002	14	Cotter Pin, control cable to control housing	1
C-23-34677	15	Bushing, nylon - shift cam (1" I. D.)	1
C-35650	16	Cam, shift	1
C-17-36241A1	17	Pin Assembly, blocking - shift cam	1
C-24-36244	18	Spring, compression - blocking pin	1
C-35819A1	19	Shaft, control assembly	1
C-35648	20	Cam, throttle	1
C-23-34677	21	Bushing, nylon - throttle cam	1
C-35649	22	Lever, throttle	1
C-23-33589	23	Bushing, nylon - throttle lever (5/8" I. D.)	1
C-12-34675	24	Washer, retaining - throttle lever screw	1
C-10-34676	25	Screw, throttle lever to control housing	1
C-17-35951	26	Pin, cam roller to throttle lever	1
C-35943	27	Cam Roller, throttle lever	1
C-12-35950	28	Washer, cam roller pin	1
C-11-34688	29	Nut, cam roller pin	1
C-35942	30	Roller Guide, throttle lever	2
C-17-29908	31	Pin, roller guide to throttle lever	2
C-17-35944	32	Pin, control cable to throttle lever	1
C-18-29623	33	Cotter Pin, control cable to throttle lever pin	1
C-35941	34	Housing, remote control (port)	1
C-36047	35	Handle, control	1
C-34771	36	Grip, control handle	1
C-10-37342	37	Screw, grip to control handle	2
C-35956	38	Button, control handle	1
C-10-35955	39	Screw, set control handle to control shaft	1
C-10-35963	40	Screw, remote control to boat (1 1/2")	4
C-12-20346	41	Washer, remote control screw	4
C-11-36069	42	Nut, remote control to boat screw	4
C-10-28774	43	Screw, remote control housing clamping (2")	4
C-11-34688	44	Nut, remote control housing clamping screw	4
C-10-36046	45	Screw, retaining - control shaft	1
C-12-35958	46	Washer, control shaft retaining screw	1
C-36004A1	47	Switch and Harness Assembly, safety	1
C-36286	48	Tab Receptacle, switch harness	2
C-10-36003	49	Screw, safety switch to control housing	2
C-54-26550	50	Clip, safety switch harness to control housing	1
C-10-37260	51	Screw, safety switch harness clip to control housing	1
C-22789	52	"D" Washer, safety switch harness clip screw	1

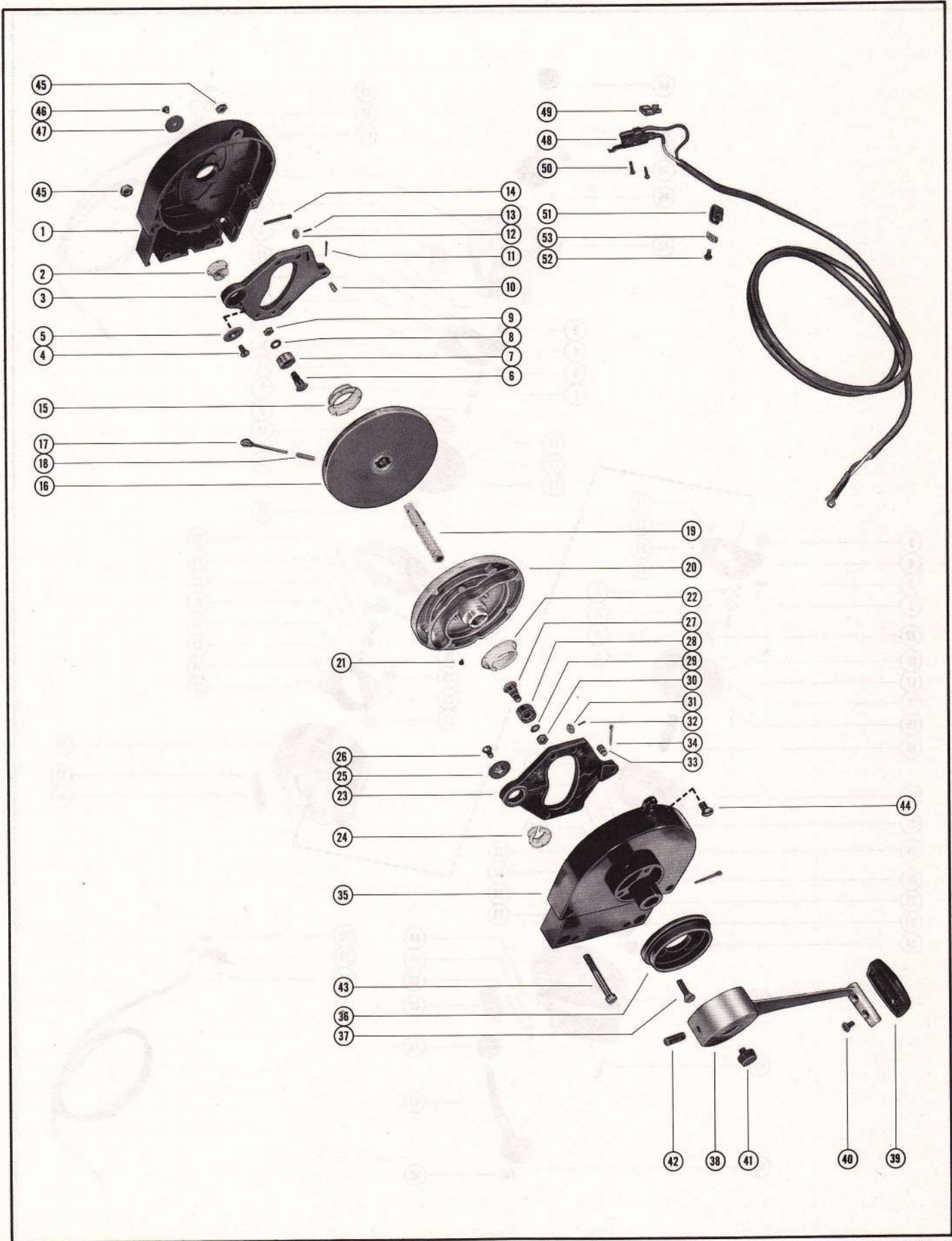
NOTE: C-35651A1 Remote Control Assembly is no longer available. For replacement - order C-37580A1 Remote Control Assembly. Component parts are still stocked, so order your replacement parts accordingly.

REMOTE CONTROL ASSEMBLY (Panel Mounted)

PART NO.	REF. NO.	DESCRIPTION	C-36077A1	C-36077A2
C-36077A1	-	Remote Control Assembly, Complete (panel mounted) - starboard	1	-
C-36077A2	-	Remote Control Assembly, Complete (panel mounted) - port	-	1
C-36052	1	Housing, remote control (starboard)	1	-
C-37357	1	Housing, remote control (starboard) - <i>not as shown</i>	-	1
C-23-33589	2	Bushing, nylon - shift lever (5/8" I. D.)	1	1
C-35649	3	Lever, shift	1	1
C-10-34676	4	Screw, shift lever to control housing	1	1
C-12-34675	5	Washer, retaining - shift lever screw	1	1
C-17-35951	6	Pin, cam roller to shift lever	2	2
C-35943	7	Cam Roller, shift lever	2	2
C-12-35950	8	Washer, cam roller pin	2	2
C-11-34688	9	Nut, cam roller pin	2	2
C-17-35944	10	Pin, control cable to shift lever	1	1
C-18-29623	11	Cotter Pin, control cable to shift lever pin	1	1
C-35942	12	Roller Guide shift lever	2	2
C-17-29908	13	Pin, roller guide to shift lever	2	2
C-18-36002	14	Cotter Pin, control cable to control housing	2	2
C-23-34677	15	Bushing, nylon - shift cam (1" I. D.)	1	1
C-35650	16	Cam, shift	1	1
C-17-36241A1	17	Pin Assembly, blocking - shift cam	1	1
C-24-36244	18	Spring, compression - blocking pin	1	1
C-36048A1	19	Shaft, control assembly	1	1
C-35648	20	Cam, throttle	1	1
C-10-37942	21	Screw, set control shaft	1	1
C-23-34677	22	Bushing, nylon - throttle cam (1" I. D.)	1	1
C-35649	23	Lever, throttle	1	1
C-23-33589	24	Bushing, nylon - throttle lever (5/8" I. D.)	2	2
C-12-34675	25	Washer, retaining - throttle lever screw	1	1
C-10-34676	26	Screw, throttle lever to control housing	1	1
C-17-35951	27	Pin, cam roller to throttle lever	1	1
C-35943	28	Cam Roller, throttle lever	1	1
C-12-35950	29	Washer, cam roller pin	1	1
C-11-34688	30	Nut, cam roller pin	1	1
C-35942	31	Roller Guide, throttle lever	2	2
C-17-29908	32	Pin, roller guide to throttle lever	2	2
C-17-35944	33	Pin, control cable to throttle lever	1	1
C-18-29623	34	Cotter Pin, control cable to throttle lever pin	1	1
C-36053	35	Housing, remote control (port)	1	-
C-37358	35	Housing, remote control (port) - <i>not as shown</i>	-	1
C-36051	36	Bezel, remote control to mounting panel	1	1
C-10-36049	37	Screw, bezel to remote control (1")	3	3
C-10-36078	37	Screw, bezel to remote control (1 1/4")	3	3
C-36044	38	Handle, control	1	1
C-36005	39	Grip, control handle	1	1
C-10-37342	40	Screw, grip to control handle	2	2
C-37669	41	Button, control handle	1	1
C-10-35955	42	Screw, set - control handle to control shaft	1	1
C-10-36562	43	Screw, remote control housing clamping (2 1/4")	4	4
C-10-36195	44	Screw, remote control housing clamping (top) - 7/8"	1	1
C-11-34688	45	Nut, remote control housing clamping screw	5	5
C-10-36046	46	Screw, retaining - control shaft	1	1
C-12-35958	47	Washer, control shaft retaining screw	1	1
C-36004A1	48	Switch and Harness Assembly, safety	1	1
C-36286	49	Tab Receptacle, switch harness	2	2
C-10-36003	50	Screw, safety switch to control housing	2	2
C-54-26550	51	Clip, safety switch harness to control housing	1	1
C-10-26682	52	Screw, safety switch harness clip to control housing	1	1
C-22789	53	"D" Washer, safety switch harness clip screw	1	1

NOTE: C-36077A1 and C-36077A2 Remote Control Assemblies are no longer available. For replacement - order C-37580A1 and C-37580A2 Remote Control Assemblies. Component parts are still stocked, so order your replacement parts accordingly.

REMOTE CONTROL ASSEMBLY (Panel Mounted)



Revised May 1965

(SECTION "B")

Page 49B

REMOTE CONTROL ASSEMBLY (Compact - Console Mounted)

PART NO.	REF. NO.	DESCRIPTION	C-37580A1	C-37580A2
C-37580A1	-	Remote Control Assembly, Complete (single installation)	1	-
C-37580A2	-	Remote Control Assembly, Complete (dual installation)	-	1
C-37581	1	Housing, remote control (starboard)	1	-
C-38877	1	Housing, remote control (starboard)	-	1
C-38749	2	Cover, control housing (starboard)	1	1
C-18-32857	3	Cotter Pin, control cable to control housing	2	2
C-37584	4	Lever, shift	1	2
C-23-33589	5	Bushing, nylon - shift lever (5/8" I. D.)	1	2
C-12-34675	6	Washer, retaining - shift lever screw	1	2
C-10-34676	7	Screw, shift lever to control housing and center housing (1/2")	1	2
C-37606	8	Cam Roller, shift lever	2	4
C-17-37603	9	Pin, cam roller to shift lever	2	4
C-12-35950	10	Washer, cam roller pin	2	4
C-11-37800	11	Nut, cam roller pin	2	4
C-37604	12	Roller Guide, shift lever	2	4
C-17-29908	13	Pin, roller guide to shift lever	2	4
C-23-37593	14	Bushing, nylon - throttle and shift cams to control housing (11/16" I. D.)	2	2
C-37607	15	Cam, shift	1	2
C-17-37599A2	16	Pin Assembly, blocking - shift cam	1	2
C-24-38872	17	Spring, compression - blocking pin	1	2
C-13-39317	18	Fastener - blocking pin to shift cam	1	2
C-37596A1	19	Shaft Assembly, control	1	-
C-37596A2	19	Shaft Assembly, control	-	2
C-37608	20	Cam, throttle	1	2
C-10-37942	21	Screw, set - throttle cam	1	2
C-23-37594	22	Bushing, nylon - throttle and shift cams to center housing (7/8" I. D.)	-	2
C-37584	23	Lever, throttle	1	2
C-23-33589	24	Bushing, nylon - throttle lever (5/8" I. D.)	1	2
C-12-34675	25	Washer, retaining - throttle lever screw	1	2
C-10-34676	26	Screw, throttle lever to control housing and center housing (1/2")	1	2
C-37606	27	Cam Roller, throttle lever	1	2
C-17-37603	28	Pin, cam roller to throttle lever	1	2
C-12-35950	29	Washer, cam roller pin	1	2
C-11-37800	30	Nut, cam roller pin	1	2
C-37604	31	Roller Guide, throttle lever	2	4
C-17-29908	32	Pin, roller guide to throttle lever	2	4
C-17-37801	33	Pin, control cable to throttle and shift levers	2	4
C-18-37809	34	Pin (hair), control cable pin	3	5
C-37583	35	Housing, remote control (center)	-	1
C-37802	36	Plate, retainer - center housing	-	1
C-10-37804	37	Screw, retainer plate to center housing (1")	-	1
C-36004A1	38	Switch and Harness Assembly, safety	1	2
C-36286	39	Tab Receptacle, safety switch	2	4
C-54-20387	--	Clamp, safety switch	1	2
C-10-36003	40	Screw, safety switch to control housing (5/8")	2	4
C-37582	41	Housing, remote control (port)	1	1
C-38750	42	Cover, control housing (port)	1	1
C-10-37803	43	Screw, control housing clamping (1 3/4")	4	8
C-10-35963	44	Screw, remote control to boat (1 1/2")	4	4
C-12-24664	45	Washer, remote control screw	4	4
C-11-20361	46	Nut, remote control screw	4	4
C-37812	47	Handle, control	1	2
C-37813	48	Grip, control handle (black)	1	2
C-10-37805	49	Screw, set - control handle to control shaft	1	2
C-37602	50	Button, control handle	1	2

On early style controls, C-17-37799 Roll Pin was used in place of C-13-39317 Fastener.

NOTE: C-37580A1 and C-37580A2 Remote Control Assemblies must use C-34555A Remote Control Cable Assembly. See Page 31B for length of cable desired.

REMOTE CONTROL ASSEMBLY (Compact - Panel Mounted)

PART NO.	REF. NO.	DESCRIPTION	C-37782A1	C-37782A2
C-37782A1	-	Remote Control Assembly, Complete (panel mounted) - starboard	1	-
C-37782A2	-	Remote Control Assembly, Complete (panel mounted) - port	-	1
C-37783	1	Housing, remote control (starboard)	1	-
C-37785	1	Housing, remote control (starboard) - <i>not as shown</i>	-	1
C-10-37803	2	Screw, remote control housing clamping	4	4
C-38749	3	Cover, control housing (starboard)	1	1
C-18-32857	4	Cotter Pin, control cable to control housing	2	2
C-23-33589	5	Bushing, nylon - shift lever (5/8" I.D.)	1	1
C-37584	6	Lever, shift	1	1
C-10-34676	7	Screw, shift lever to control housing	1	1
C-12-34675	8	Washer, retaining - shift lever screw	1	1
C-17-37603	9	Pin, cam roller to shift lever	2	2
C-37606	10	Cam Roller, shift lever	2	2
C-12-35950	11	Washer, cam roller pin	2	2
C-11-37800	12	Nut, cam roller pin	2	2
C-37604	13	Roller Guide, shift lever	2	2
C-17-29908	14	Pin, roller guide to shift lever	2	2
C-17-37801	15	Pin, control cable to shift lever	1	1
C-18-37809	16	Pin, control cable to shift lever pin	1	1
C-23-37593	17	Bushing, nylon - shift cam (11/16" I.D.)	1	1
C-37607	18	Cam, shift	1	1
C-17-37599A2	19	Pin Assembly, blocking - shift cam	1	1
C-13-39317	20	Fastener - blocking pin to shift cam	1	1
C-24-38872	21	Spring, compression - blocking pin	1	1
C-37832A1	22	Shaft Assembly, control	1	1
C-37608	23	Cam, throttle	1	1
C-10-37942	24	Screw, set - throttle cam	1	1
C-23-37593	25	Bushing, nylon - throttle cam (11/16" I.D.)	2	2
C-37784	26	Housing, remote control (port)	1	-
C-37786	26	Housing, remote control (port) - <i>not as shown</i>	-	1
C-23-33589	27	Bushing, nylon - throttle lever (5/8" I.D.)	1	1
C-37584	28	Lever, throttle	1	1
C-10-34676	29	Screw, throttle lever to control housing	1	1
C-12-34675	30	Washer, retaining - throttle lever screw	1	1
C-17-37603	31	Pin, cam roller to throttle lever	1	1
C-37606	32	Cam Roller, throttle lever	1	1
C-12-35950	33	Washer, cam roller pin	1	1
C-11-37800	34	Nut, cam roller pin	1	1
C-37604	35	Roller Guide, throttle lever	2	2
C-17-29908	36	Pin, roller guide to throttle lever	2	2
C-17-37801	37	Pin, control cable to throttle lever	1	1
C-18-37809	38	Pin, control cable to throttle lever pin	1	1
C-38750	39	Cover, control housing (port)	1	1
C-37820	40	Bezel, remote control to mounting panel	1	1
C-10-37818	41	Screw, bezel to remote control (7/8")	3	3
C-10-37819	41	Screw, bezel to remote control (1 1/8")	3	3
C-13-37821	42	Lockwasher, bezel screw	3	3
C-37822	43	Handle, control	1	1
C-10-37805	44	Screw, set - control handle to control shaft	1	1
C-37602	45	Button, control handle	1	1
C-36005	46	Grip, control handle	1	1
C-10-37342	47	Screw, grip to control handle	2	2
C-36004A1	48	Switch and Harness Assembly, safety	1	1
C-36286	49	Tab Receptacle, safety switch	2	2
C-54-20387	--	Clamp, safety switch	1	1
C-10-36003	50	Screw, safety switch to control housing	2	2

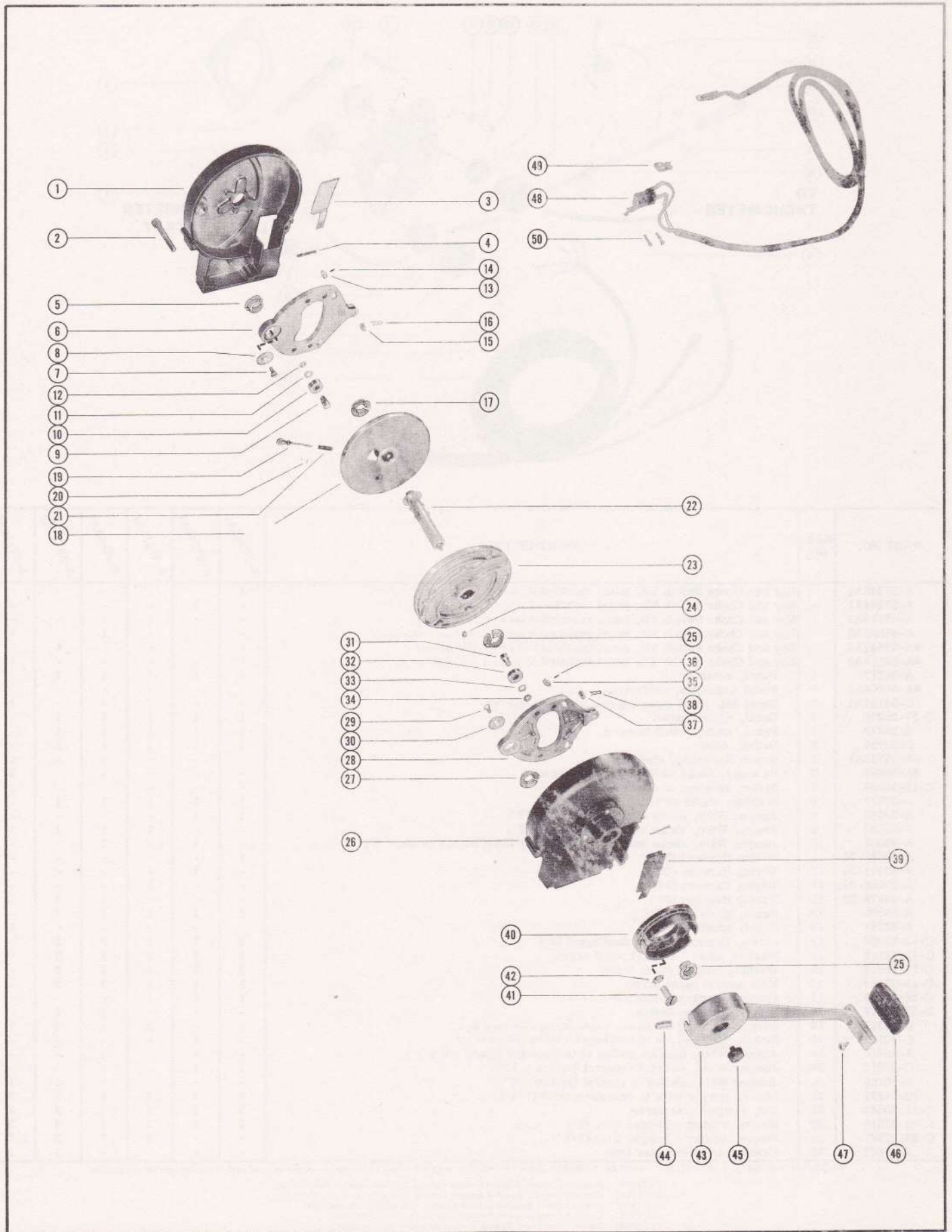
see note below

On early style controls, C-10-37808 (4) screw and C-11-37806 (4) nut are used in place of C-10-37803 (4) screw.

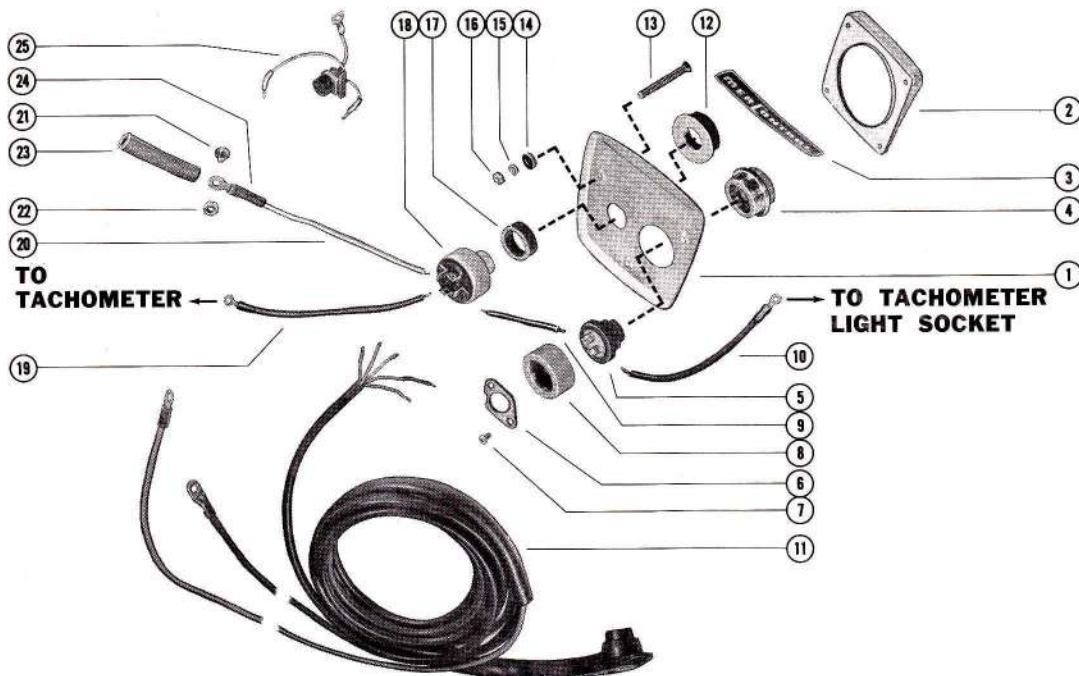
On early style controls, C-17-37799 Roll Pin was used in place of C-13-39317 Fastener.

NOTE: C-37782A1 and C-37782A2 Remote Control Assemblies must use two each C-34555A- Remote Control Cable Assembly. See Page 31B for length of cable desired.

REMOTE CONTROL ASSEMBLY (Compact - Panel Mounted)



PANEL MOUNTED KEY AND CHOKE SWITCH KIT



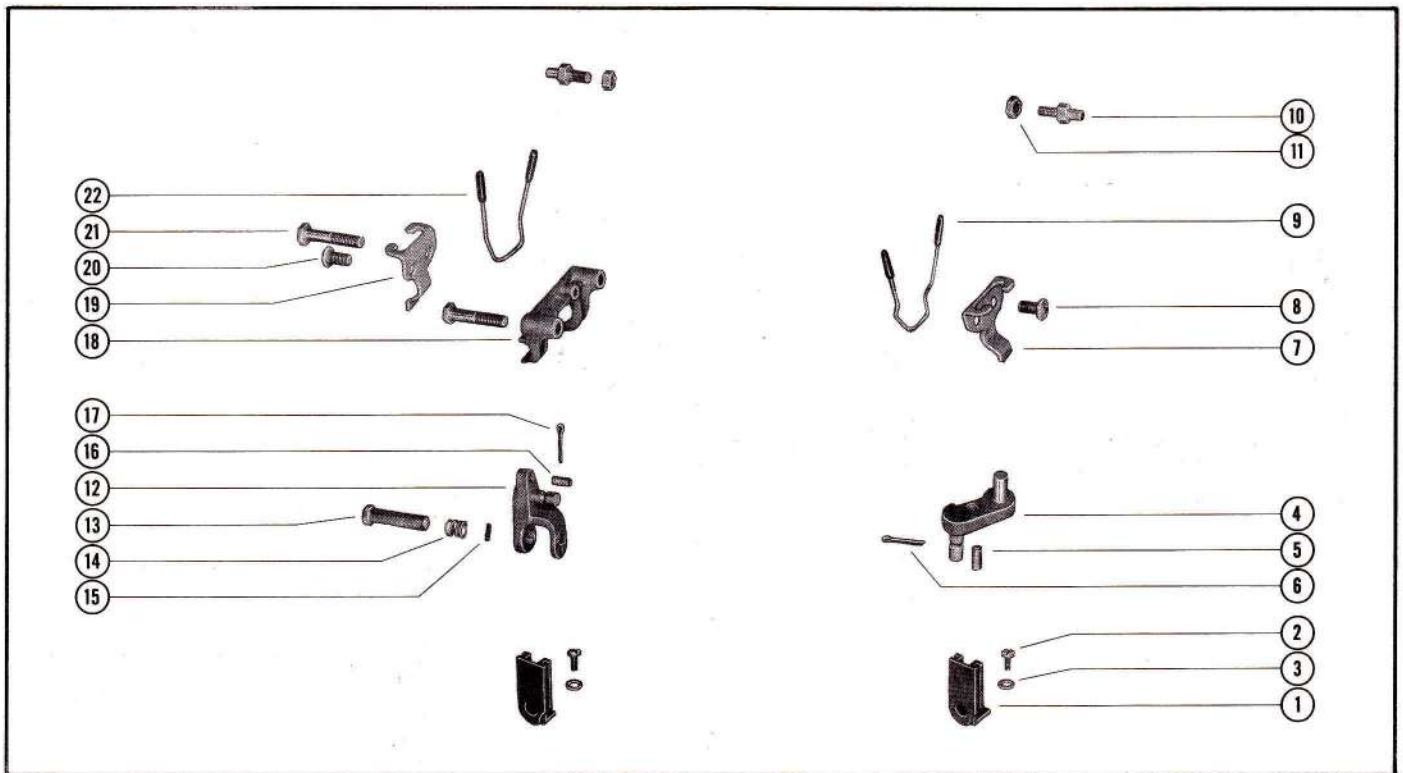
PART NO.	REF. NO.	DESCRIPTION	A-37245A1	A-37244A1	A-45116A2	A-45888A2	A-53647A2	A-59119A2
A-37245A1	-	Key and Choke Switch Kit, panel mounted (4 cyl.)	1	-	-	-	-	-
A-37244A1	-	Key and Choke Switch Kit, panel mounted (6 cyl.)	-	1	-	-	-	-
A-45116A2	-	Key and Choke Switch Kit, panel mounted (4 and 6 cyl. 1966 models)	-	-	1	-	-	-
A-45888A2	-	Key and Choke Switch Kit, panel mounted (4 and 6 cyl. 1967 and 1968 models)	-	-	-	1	-	-
●A-53647A2	-	Key and Choke Switch Kit, panel mounted (4 and 6 cyl. 1969 models)	-	-	-	-	1	-
●A-59119A2	-	Key and Choke Switch Kit, panel mounted (4 and 6 cyl. 1970 models)	-	-	-	-	-	1
A-36277	1	Panel, control	1	1	1	1	1	1
●A-58804A1	1	Panel Assembly, control (not as shown)	-	-	-	-	-	1
C-55193A1	2	Bezel Kit, panel mounting (see Accessory Section "G")	-	-	-	-	-	1
C-37-36276	3	Decal, control panel	1	1	1	1	1	1
A-36278	4	Bezel, choke switch housing	1	1	1	1	1	-
C-29759	5	Switch, choke	1	1	1	1	1	-
●A-55738A1	5	Switch Assembly, choke	-	-	-	-	-	1
●A-55691	6	Retainer, choke switch to control panel	-	-	-	-	-	1
C-10-30663	7	Screw, retainer to control panel	-	-	-	-	-	2
A-36279	8	Housing, choke switch	1	1	1	1	1	-
A-29648	9	Jumper Wire, choke switch (black - 2 1/2")	1	1	-	-	-	-
A-39180	9	Jumper Wire, choke switch (white - 2 1/2")	-	-	1	1	1	1
A-46057	10	Jumper Wire, choke switch to tachometer lamp socket (white - 8")	-	-	-	1	-	-
A-29645-20	11	Wiring Harness (20')	1	-	-	-	-	-
A-30471-20	11	Wiring Harness (20')	-	1	-	-	-	-
A-39125-20	11	Wiring Harness (20')	-	-	1	-	-	-
A-45876-20	11	Wiring Harness (20')	-	-	-	1	1	1
A-36280	12	Bezel, ignition switch	1	1	1	1	1	-
A-32861	12	Bezel, ignition switch	-	-	-	-	-	1
C-10-32866	13	Screw, control panel to dashboard (2")	3	3	3	3	3	-
C-12-33110	14	Washer, fiber - control panel screw	3	3	3	3	3	-
C-12-26014	15	Washer, control panel screw	3	3	3	3	3	-
C-11-27164	16	Nut, control panel screw	3	3	3	3	3	-
C-23-36273	17	Spacer, ignition switch	1	1	1	-	-	-
C-23-45773	17	Spacer, ignition switch	-	-	-	1	1	-
C-54211	18	Switch, ignition (with keys - when ordering replacement keys)	1	-	1	1	1	1
C-30163	18	Switch, ignition (Part #C-30431 also list number stamped on key)	-	1	-	-	-	-
A-46416	19	Jumper Wire, ignition switch to tachometer (black - 9 3/8")	-	-	-	1	-	-
C-32872	20	Jumper Wire, switch to control (yellow - 12")	1	1	-	-	-	-
A-30795	20	Jumper Wire, switch to control (yellow - 6")	-	-	1	1	1	1
C-10-24231	21	Screw, jumper wire to remote control (1/4")	2	2	2	3	3	3
C-11-20645	22	Nut, jumper wire screw	2	2	2	3	3	3
C-23-32914	23	Sleeve, rubber - jumper wire (2")	2	2	2	5	3	3
C-23-37961	24	Sleeve, rubber - jumper wire (7/8")	-	-	2	2	2	2
A-45887	25	Connector, tachometer lead	-	-	-	-	1	1

*A-37245A1, A-37244A1, A-45116A2, and A-45888A2, A-53647A2, and A-59119A2 Key and Choke Switch Assemblies should be used with the following remote controls:

- C-37580A1 Compact Console Mounted Remote Control Assembly (single installation)
- C-37580A2 Compact Console Mounted Remote Control Assembly (dual installation)
- C-37782A1 Compact Panel Mounted Remote Control Assembly (starboard side)
- C-37782A2 Compact Panel Mounted Remote Control Assembly (port side)
- C-38290A1 Console Two Lever Remote Control Assembly (top mounted)

(SECTION "B")

REMOTE CONTROL ATTACHMENT PARTS KIT



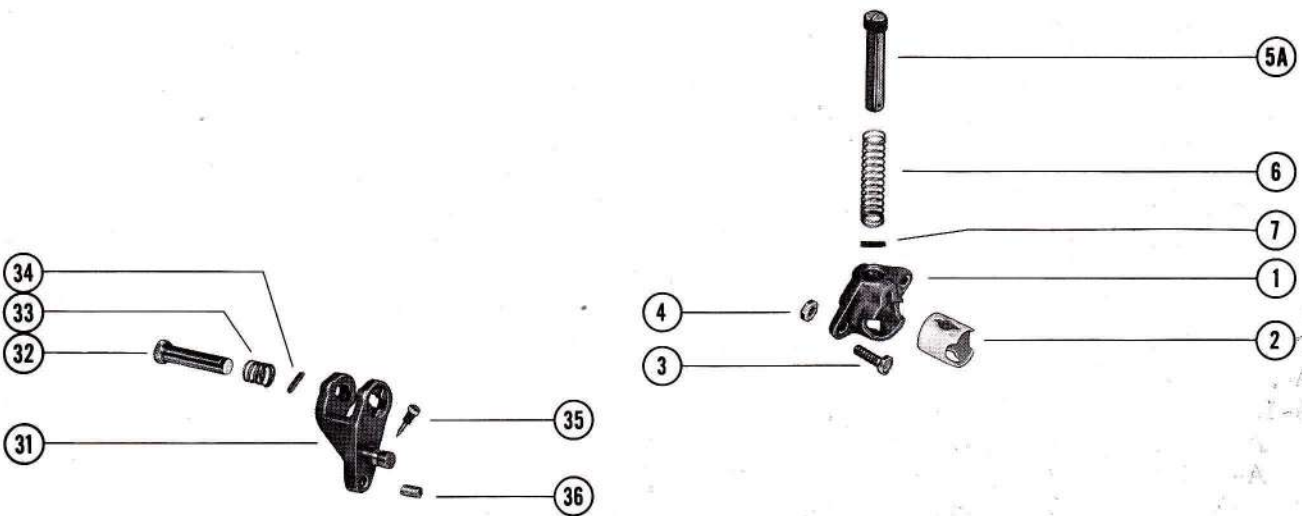
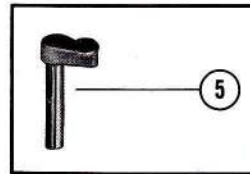
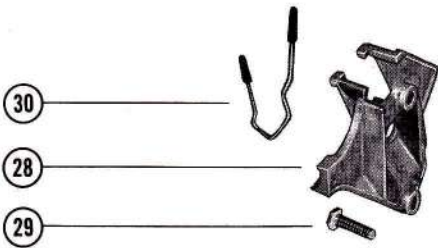
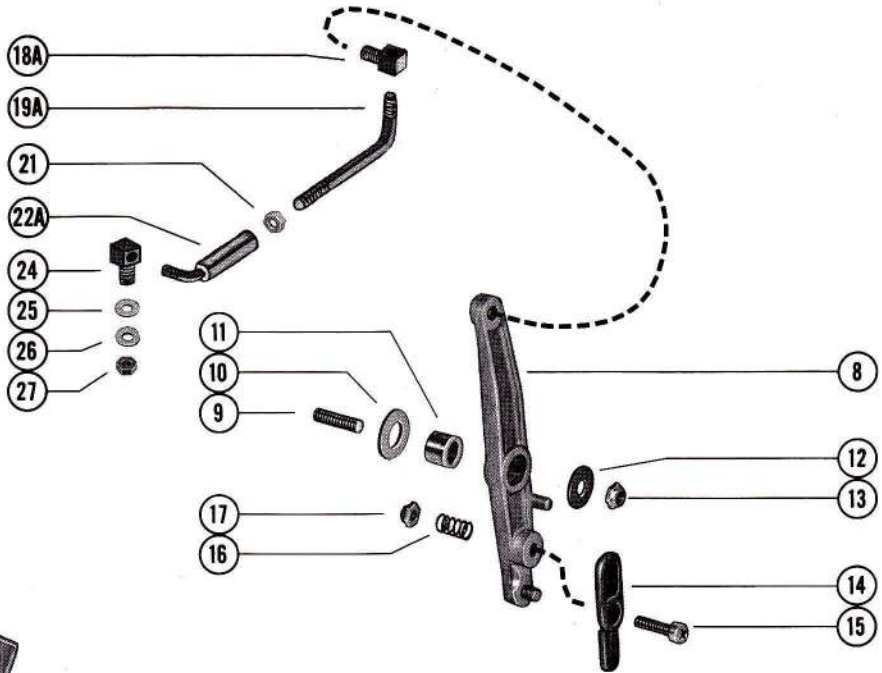
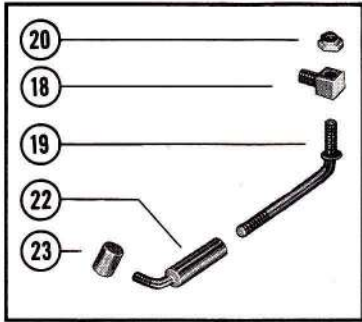
REMOTE CONTROL ATTACHMENT PARTS KIT

PART NO.	REF. NO.	DESCRIPTION	QUAN.
A-39466A1	-	Remote Control Attachment Parts Kit (<i>see note below</i>)	1
A-25-39463	1	Grommet, rubber - bottom cowl (throttle and shift cable guide)	2
C-10-29762	2	Screw, rubber grommet to bottom cowl (3/8")	2
C-12-20192	3	Washer, rubber grommet screw	2
A-39458	4	Link, throttle control	1
A-24-39457	5	Spring, detent - throttle control link	1
A-18-46950	6	Cotter Pin, throttle control link to throttle control shaft	1
A-39464	7	Bracket, mounting - throttle cable retainer spring	1
C-10-26774	8	Screw, mounting bracket to exhaust cover (1/2")	2
A-24-39462	9	Spring, throttle cable retainer	1
A-39461	10	Pin, anchor - throttle and shift cable (cylinder block cover)	2
C-11-20184	11	Nut, anchor pin to cylinder block cover	2
A-39453	12	Clevis, shift control	1
A-39456	13	Pin, shift cable anchor - shift control clevis	1
A-24-39455	14	Spring, compression - shift cable anchor pin	1
C-17-23928	15	Pin, roll - shift cable anchor pin	1
A-24-39457	16	Spring, detent - shift control clevis	1
A-18-46950	17	Cotter Pin, shift control clevis to shift control lever	1
A-39465	18	Bracket, retainer - shift cable	1
A-39464	19	Bracket, mounting - shift cable retainer spring	1
C-10-26774	20	Screw, mounting bracket to retainer bracket (1/2")	1
C-10-20784	21	Screw, retainer bracket to cylinder block (1 1/2")	2
A-24-39462	22	Spring, shift cable retainer	1

This Kit to be used with: Merc 60 - Serial #1916139 and up.

Merc 110 - Serial #1912759 and up.

REMOTE CONTROL ATTACHMENT PARTS KIT



REMOTE CONTROL ATTACHMENT PARTS KIT

PART NO.	REF. NO.	DESCRIPTION	A-39660A1	A-46455A1	A-46455A2
A-39660A1	-	Remote Control Attachment Parts Kit (see note #1 below)	1	-	-
A-46455A1	-	Remote Control Attachment Parts Kit (see note #2 below)	-	1	-
●A-46455A2	-	Remote Control Attachment Parts Kit (see note #3 below)	-	-	1
A-39490	1	Socket, anchor - throttle cable	1	-	-
A-46415	1	Socket, anchor - throttle cable	-	1	1
A-39646	2	Liner, nylon - anchor socket	1	1	1
C-10-20456	3	Screw, anchor socket to throttle control housing (5/8")	2	2	2
C-11-31953	4	Nut, anchor bracket screw	2	2	2
A-37913	5	Lever, locking - shift cable to anchor socket	1	-	-
A-39456	5A	Lever, locking - shift cable to anchor socket	-	1	1
A-24-45004	6	Spring, compression - locking lever	1	-	-
A-24-39455	6	Spring, compression - locking lever	-	1	1
C-17-23928	7	Pin, roll - locking lever	1	1	1
A-39368	8	Lever, throttle control	1	-	-
A-46411	8	Lever, throttle control	-	1	1
A-16-39647	9	Stud, throttle control lever to exhaust cover	1	1	1
C-12-21900	10	Washer, throttle control lever stud (17/32" I. D.)	1	1	1
A-23-39648	11	Sleeve, throttle control lever stud	1	1	1
C-12-39649	12	Washer, throttle control lever stud (17/64" I. D.)	1	1	1
C-11-20586	13	Nut, throttle control lever stud	1	1	1
A-39483	14	Latch, throttle cable fastening	1	1	1
C-10-22486	15	Screw, latch to throttle control lever (7/8")	1	1	1
C-24-20099	16	Spring, latch screw	1	1	1
C-11-20586	17	Nut, latch screw	1	1	1
A-39945	18	Swivel, throttle control lever to link rod	1	-	-
C-27947	18A	Swivel, throttle control lever to link rod	-	1	1
A-39944A1	19	Link Rod Assembly, throttle control lever swivel	1	-	-
A-46410	19A	Link Rod, throttle control lever swivel	-	1	1
C-11-20586	20	Nut, link rod to swivel	1	-	-
C-11-25168	21	Nut, jam - link rod	-	1	1
A-39943A1	22	Sleeve and Link Assembly	1	-	-
C-25996A1	22A	Sleeve and Link Assembly	-	1	1
A-34610	23	Swivel, sleeve and link to throttle cam	1	-	-
C-27948	24	Swivel, sleeve and link to throttle cam	-	1	1
C-13-25806	25	Wave Washer, sleeve and link swivel	-	1	1
C-12-29245	26	Washer, sleeve and link swivel	-	1	1
C-11-20361	27	Nut, sleeve and link swivel	-	1	1
A-39491	28	Bracket, mounting - shift cable retainer spring	1	1	1
C-10-20542	29	Screw, mounting bracket to cylinder block (7/8")	2	2	2
A-24-39462	30	Spring, shift cable retainer	1	1	1
●A-24-49012	30	Spring, shift cable retainer	-	-	1
A-39488	31	Clevis, shift control	1	1	1
A-39456	32	Pin, shift cable anchor - shift control clevis	1	1	1
A-24-39455	33	Spring, compression - shift cable anchor pin	1	1	1
C-17-23928	34	Pin, roll - shift cable anchor pin	1	1	1
C-10-20847	35	Screw, shift control clevis to shift control lever	1	1	1
A-24-39457	36	Spring, detent - shift control clevis	1	1	1

NOTE #1: This Kit to be used with: Merc 200 "Full Gear Shift" - Serial #1972827 thru Serial #2094830.

NOTE #2: This Kit to be used with: Merc 200 "Full Gear Shift" - Serial #2149831 thru Serial #2271043

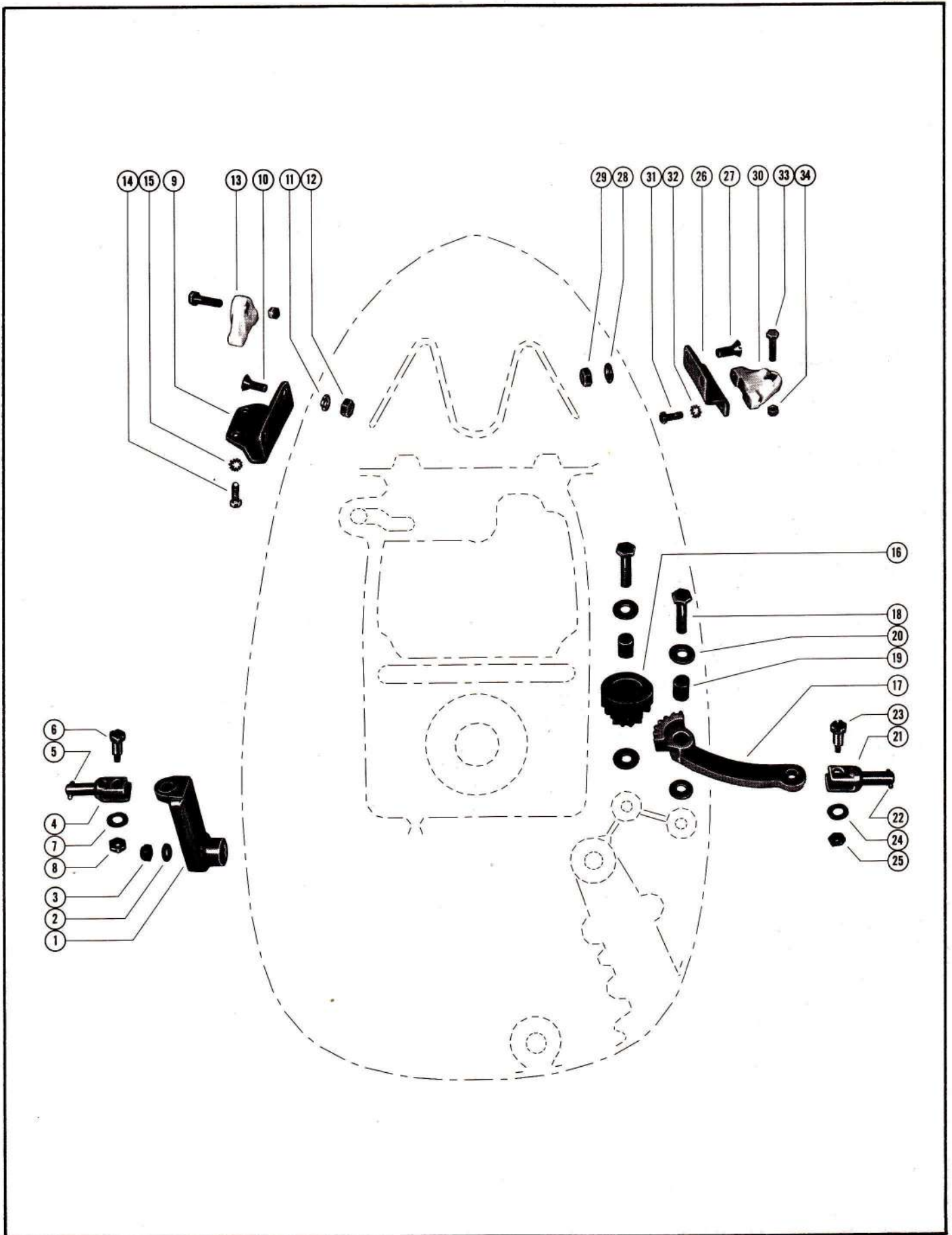
NOTE #3: This Kit to be used with: Merc 200 "Full Gear Shift" - Serial #2296267 and up.

REMOTE CONTROL ATTACHMENT PARTS KIT

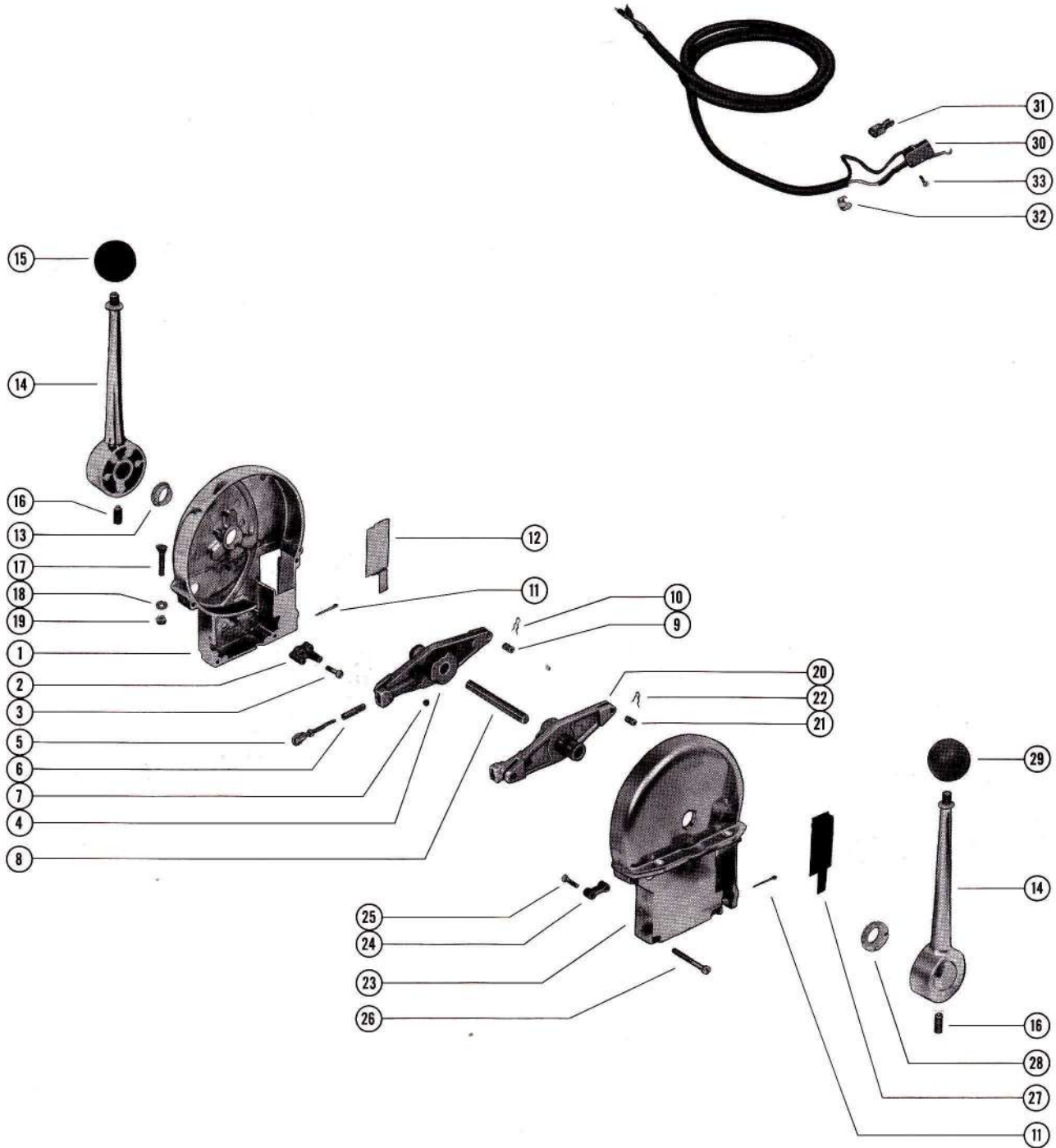
PART NO.	REF. NO.	DESCRIPTION	QUAN.
A-45350A1	-	Remote Control Attachment Parts Kit <i>(see note below)</i>	1
A-45349	1	Lever, shift - remote control cable	1
C-12-29245	2	Washer, shift lever to shift control shaft	1
C-11-35045	3	Nut, shift lever to shift control shaft	1
A-17-30978A1	4	Clevis Yoke Pin Assembly	1
C-17-23928	5	Roll Pin, clevis yoke pin	1
C-10-20584	6	Screw, clevis yoke pin to shift lever bracket	1
C-13-29402	7	Washer, wave - clevis yoke pin screw	1
C-11-29488	8	Nut, clevis yoke pin fastening screw	1
A-30922	9	Bracket, shift cable - bottom cowl	1
C-10-31163	10	Screw, shift cable bracket to bottom cowl	2
C-13-26992	11	Lockwasher, shift cable bracket screw	2
C-11-20088	12	Nut, shift cable bracket fastening screw	2
A-20557	13	Bracket, cable end anchor	1
C-10-20100	14	Screw, anchor bracket to shift cable bracket	2
C-13-20554	15	Lockwasher, anchor bracket fastening screw	2
A-43-31805	16	Gear, idler	1
A-43-31804	17	Gear, lever sector	1
C-10-24878	18	Screw, idler gear and sector gear to bottom cowl	2
A-23-30972	19	Bushing, idler gear and sector gear screw	2
C-12-30971	20	Washer, idler gear and sector gear screw	4
A-17-30978A1	21	Clevis Yoke Pin Assembly	1
C-17-23928	22	Roll Pin, clevis yoke pin	1
C-10-20584	23	Screw, clevis yoke pin to lever sector gear	1
C-13-29402	24	Washer, wave - clevis yoke pin screw	1
C-11-29488	25	Nut, clevis yoke pin fastening screw	1
A-31806	26	Bracket, throttle cable - bottom cowl	1
C-10-31163	27	Screw, throttle cable bracket to bottom cowl	2
C-13-26992	28	Lockwasher, throttle cable bracket screw	2
C-11-20088	29	Nut, throttle cable bracket fastening screw	2
A-20557	30	Bracket, cable end anchor	1
C-10-20100	31	Screw, anchor bracket to throttle cable bracket	2
C-13-20554	32	Lockwasher, anchor bracket fastening screw	2
C-10-36154	33	Screw, cable to anchor bracket (1 3/8")	2
C-11-35045	34	Nut, anchor bracket cable screw	2

This Kit to be used with: Merc 39 - Serial #1912759 and up.

REMOTE CONTROL ATTACHMENT PARTS KIT



REMOTE CONTROL ASSEMBLY (Top Mounted - Console)

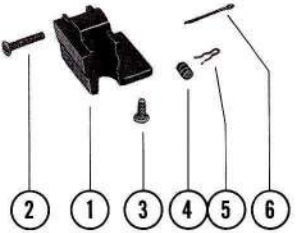


REMOTE CONTROL ASSEMBLY (Top Mounted - Console)

PART NO.	REF. NO.	DESCRIPTION	QUAN.
C-38290A1	-	Remote Control Assembly, top mounted - two lever <i>(see note below)</i>	1
C-38288	1	Housing, remote control (starboard)	1
C-38882	2	Block, stop - starboard control housing	1
C-10-24090	3	Screw, stop block to starboard control housing (5/8")	2
C-38282	4	Lever, shift	1
C-17-39577A3	5	Pin Assembly detent - shift lever	1
C-24-38872	6	Spring, compression - shift lever detent pin	1
C-13-39317	7	Fastener, detent pin to shift lever	1
C-38283	8	Shaft, control	1
C-17-37801	9	Pin, control cable to shift lever	1
C-18-37809	10	Pin, control cable to shift lever pin	1
C-18-32857	11	Cotter Pin, control cable to control housing	2
C-38749	12	Cover, control housing (starboard)	1
C-23-37593	13	Bushing, nylon - shift lever (11/16" I. D.)	1
C-38369	14	Handle, throttle and shift	2
C-37813	15	Knob, shift handle (black)	1
C-10-37805	16	Screw, set - throttle and shift handles to throttle and shift levers	2
C-10-35963	17	Screw, remote control to boat (1 1/2")	4
C-12-24664	18	Washer, remote control screw	4
C-11-20361	19	Nut, remote control screw	4
C-38282	20	Lever, throttle	1
C-17-37801	21	Pin, control cable to throttle lever	1
C-18-37809	22	Pin, control cable to throttle lever pin	1
C-38287	23	Housing, remote control (port)	1
C-38368	24	Block, stop - port control housing	1
C-10-24090	25	Screw, stop block to port control housing (5/8")	2
C-10-37803	26	Screw, control housing clamping (1 3/4")	4
C-38750	27	Cover, control housing (port)	1
C-23-37593	28	Bushing, nylon - throttle lever (11/16" I. D.)	1
C-38293	29	Knob, throttle handle (red)	1
C-36004A1	30	Switch and Harness Assembly, safety	1
C-36286	31	Tab Receptacle, switch harness	2
C-54-20387	32	Clamp, switch harness	1
C-10-36003	33	Screw, safety switch to control housing (5/8")	2

NOTE: C-38290A1 Remote Control Assembly must use two each C-34555A Remote Control Cable Assembly. See Page 31B for length of cable desired.

DUAL STATION REMOTE CONTROL KIT

	PART NO.	REF. NO.	DESCRIPTION	QUAN.
		C-38290A2	-	Remote Control Kit, dual station <i>(see note below)</i>
	C-38280	1	Retainer, control cable - remote control	1
	C-10-38289	2	Screw, retainer to remote control (1")	2
	C-10-38284	3	Screw, retainer to remote control (1/2")	2
	C-17-37801	4	Pin, control cable	2
	C-18-37809	5	Pin, control cable pin	3
	C-18-32857	6	Cotter Pin, control cable to retainer	2

NOTE: C-38290A2 Remote Control Kit must be used in conjunction with C-38290A1 Remote Control Assembly for dual station mounting. C-38286A Remote Control Cable Assembly must also be used with C-38290A2 Remote Control Kit. Order two each C-38286A Remote Control Cable Assembly in desired lengths of 10' to 40'.

REMOTE CONTROL ASSEMBLY (ELECTRIC)

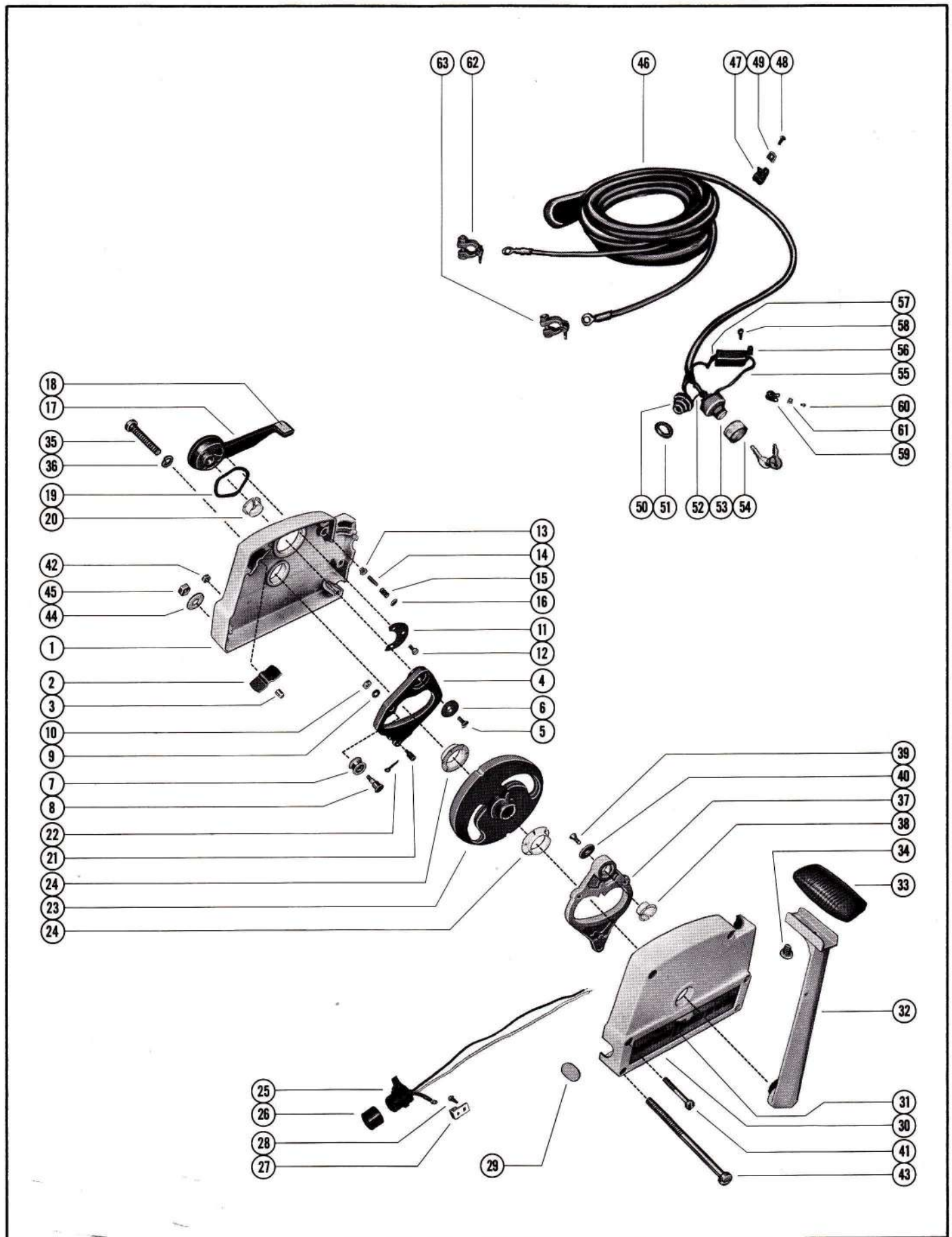
PART NO.	REF. NO.	DESCRIPTION	A-45854A	A-45957A	A-45954A20	A-56280A	A-57617A
A-45854A#	-	Electric Remote Control Assembly, Complete	1	-	-	-	-
A-45957A#	-	Electric Remote Control Assembly, Complete	-	1	-	-	-
A-45954A20	-	Electric Remote Control Assembly, Complete	-	-	1	-	-
A-56280A#	-	Electric Remote Control Assembly, Complete	-	-	-	1	-
A-57617A#	-	Electric Remote Control Assembly, Complete	-	-	-	-	1
C-45880	1	Housing, remote control (starboard) -white	1	1	1	1	1
C-45880-2	1	Housing, remote control (starboard) -black	-	-	-	1	1
C-24-34683	2	Spring, detent - control housing	2	2	2	2	2
C-34992	3	Roller, detent spring	1	1	1	1	1
C-34671	4	Lever, throttle - control housing	1	1	1	1	1
C-10-34676	5	Screw, throttle lever to neutral warm-up lever	1	1	1	1	1
C-12-34675	6	Washer, throttle lever screw	1	1	1	1	1
C-34672	7	Cam Roller, throttle lever	1	1	1	1	1
C-17-34673	8	Pin, cam roller to throttle lever	1	1	1	1	1
C-12-34680	9	Washer, cam roller pin	1	1	1	1	1
C-11-31953	10	Nut, cam roller to throttle lever pin	1	1	1	1	1
A-34679	11	Plate, thrust - control housing	1	1	1	1	1
C-10-47220	12	Screw, thrust plate to neutral warm-up lever	3	3	3	3	3
C-17-20009	13	Pin, detent - control housing neutral warm-up lever	1	1	1	1	1
C-24-35210	14	Spring, detent pin	1	1	1	1	1
C-24-35227	15	Spring, detent pin tension	1	1	1	1	1
C-19-20011	16	Welch Plug, detent pin and spring retaining	1	1	1	1	1
C-34670	17	Lever, neutral warm-up control-housing (white)	1	1	1	1	1
C-34670-2	17	Lever, neutral warm-up control-housing (black)	-	-	-	-	1
C-37-31021	18	Tape, neutral warm-up lever	1	1	1	-	-
C-13-34678	19	Washer, wave - neutral warm-up lever	1	1	1	1	1
C-23-33589	20	Bushing, nylon - neutral warm-up lever (5/8" I. D.)	1	1	1	1	1
C-17-34692	21	Pin, shift and throttle levers	2	2	2	2	2
C-18-29623	22	Cotter Pin, shift and throttle lever pins	2	2	2	2	2
A-54911	23	Face Cam	1	1	1	1	1
C-23-34677	24	Bushing, nylon - face cam (1" I. D.)	2	2	2	2	2
A-45887	25	Connector, tachometer lead to remote control	1	-	-	1	-
A-45940	26	Cap, tachometer lead connector	1	-	-	1	-
A-45915	27	Terminal Block, connector leads	1	-	-	1	-
C-10-37260	28	Screw, terminal block to control housing (7/16")	2	-	-	2	-
C-19-45918	29	Plug, control housing hole	-	1	1	-	-
C-19-55348	29	Plug, control housing hole	-	-	-	-	1
C-45939	30	Housing, remote control (port) -white	1	1	1	-	-
C-45939-2	30	Housing, remote control (port) -black	-	-	-	1	1
C-37-46424	31	Decal, control housing (MerControl)	1	1	1	-	-
C-37-55326	31	Decal, control housing (MerControl)	-	-	-	1	1
C-37-55325	--	Decal, control housing (MerControl)	-	-	-	1	1
C-34689	32	Lever, control (white)	1	1	1	-	-
C-34689-2	32	Lever, control (black)	-	-	-	1	1
C-36005	33	Grip, control lever (black)	1	1	1	-	-
C-55339	33	Grip, control lever (red)	-	-	-	1	1
C-10-37342	34	Screw, grip to control lever (7/16")	2	2	2	2	2
C-10-34691	35	Screw, control lever to face cam (1 1/2")	1	1	1	1	1
C-13-26992	36	Lockwasher, control lever screw	1	1	1	1	1
C-34682	37	Lever, shift - control housing	1	1	1	1	1
C-23-33589	38	Bushing, nylon - shift lever (5/8" I. D.)	1	1	1	1	1
C-10-34676	39	Screw, shift lever to control housing	1	1	1	1	1
C-12-34675	40	Washer, shift lever screw	1	1	1	1	1
C-10-37941	41	Screw, remote control housing clamping	4	4	4	4	4
C-11-34688	42	Nut, remote control housing clamping screw	4	4	4	4	4
C-10-34900	43	Screw, remote control to boat (4 1/4")	2	2	2	2	2
C-12-20346	44	Washer, remote control screw	2	2	2	2	2
C-11-24652	45	Nut, remote control to boat screw	2	2	2	2	2
A-45876-—	46	Wiring Harness, external (available in lengths of 10', 15', 20' and 40')	1	-	-	1	-
A-34200-—	46	Wiring Harness, external (available in lengths of 10', 15', 20' and 40')	-	1	-	-	-
●A-57416-—	46	Wiring Harness, external (available in lengths of 10', 15', 20' and 40')	-	-	-	-	1
A-38400-20	46	Wiring Harness, external (available in lengths of 20')	-	-	1	-	-
C-54-23567	47	Clamp, external wiring harness to boat	6	6	6	6	6
C-10-22793	48	Screw, wood - wiring harness clip to boat	6	6	6	6	6
C-22789	49	"D" Washer, wiring harness clip screw	6	6	6	6	6
C-29759	50	Switch, choke	1	1	1	1	1
A-30053	51	Collar, choke switch to control housing	1	1	1	1	1
A-39180	52	Jumper Wire, choke switch to ignition switch	1	-	-	1	-
A-29648	52	Jumper Wire, choke switch to ignition switch	-	1	1	-	-
A-32469	52	Jumper Wire, choke switch to ignition switch	-	-	-	-	1
C-54211	53	Switch, ignition (with keys) key part #C-30431	1	-	-	1	-
C-54213	53	Switch, ignition (with keys) key part #C-30431	-	-	-	-	-
C-54212	53	Switch, ignition (with keys) key part #C-30431	-	-	1	-	-
C-57485	53	Switch, ignition (with keys) key part #C-30431	-	-	-	-	1
A-22628	54	Bezel, ignition switch to control housing	1	1	1	1	1
A-30795	55	Jumper Wire, safety switch to ignition switch	1	-	1	1	-
A-34621	56	Switch, safety	1	-	1	1	-
C-23-37961	57	Sleeve, safety switch leads	2	-	2	2	-
C-10-30902	58	Screw, safety switch to control housing	2	-	2	2	-
C-54-22627	59	Clip, inner - wiring harness to control housing	1	1	1	1	1
C-10-37260	60	Screw, wiring harness clip to control housing (7/16")	1	1	1	1	1
C-22789	61	"D" Washer, wiring harness clip screw	1	1	1	1	1
A-27913	62	Battery Terminal, negative (with bolt and nut)	1	1	1	1	1
A-27912	63	Battery Terminal, positive (with bolt and nut)	1	1	1	1	1

see index page for engine models to insure ordering correct Electric Remote Control Assembly

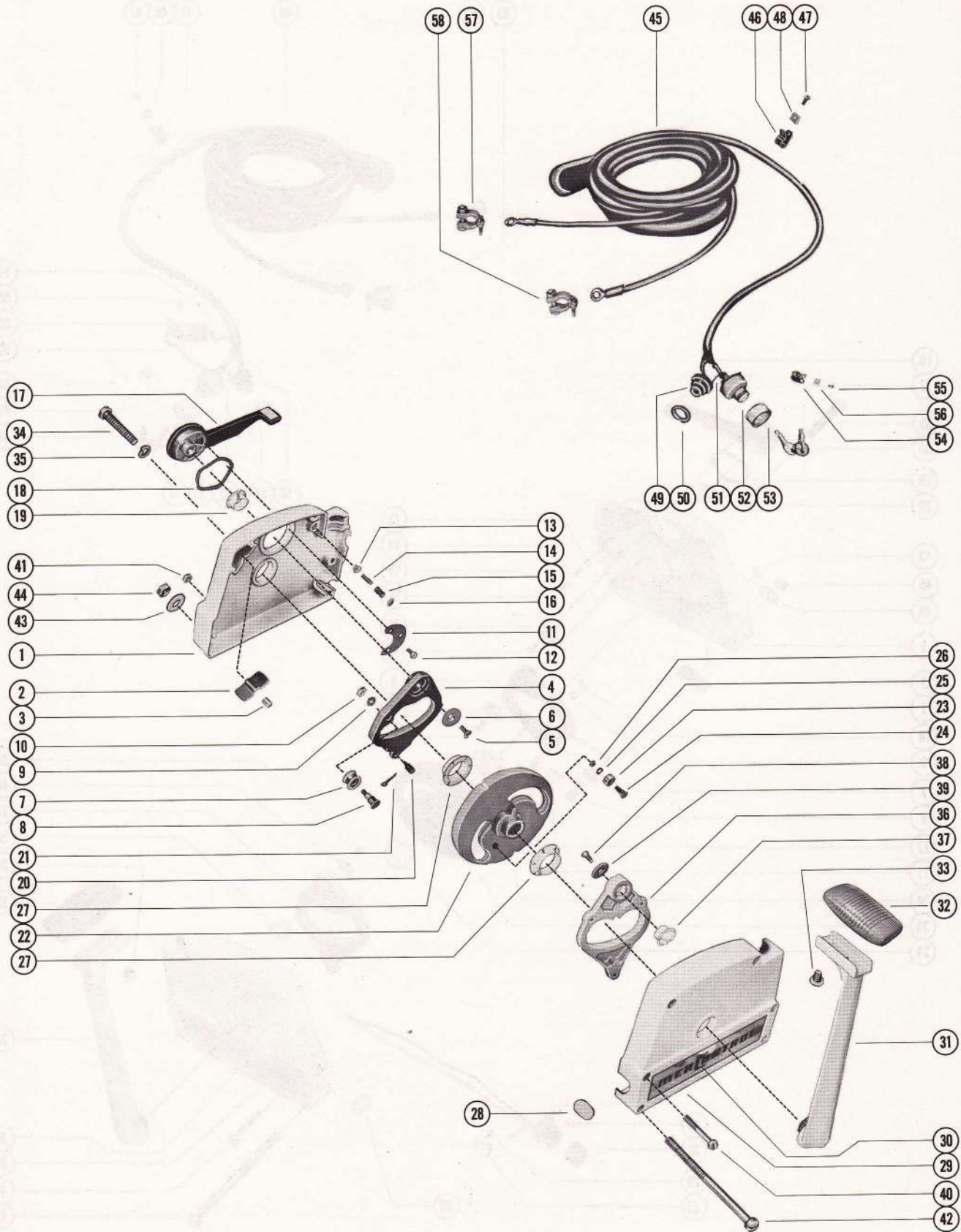
= available in lengths of 10', 15', 20' and 40'

when ordering replacement keys also list number stamped on key.

REMOTE CONTROL ASSEMBLY (ELECTRIC)



REMOTE CONTROL ASSEMBLY (ELECTRIC)



REMOTE CONTROL ASSEMBLY (ELECTRIC)

PART NO.	REF. NO.	DESCRIPTION	QUAN.
●A-59369A#	-	Electric Remote Control Assembly, Complete - See index page for correct engine models.	1
C-45880-2	1	Housing, remote control (starboard) - black	1
C-24-34683	2	Spring, detent - control housing	2
C-34992	3	Roller, detent spring	1
C-34671	4	Lever, throttle - control housing	1
C-10-34676	5	Screw, throttle lever to neutral warm-up lever	1
C-12-34675	6	Washer, throttle lever screw	1
C-34672	7	Cam Roller, throttle lever	1
C-17-34673	8	Pin, cam roller to throttle lever	1
C-12-34680	9	Washer, cam roller pin	1
C-11-31953	10	Nut, cam roller to throttle lever pin	1
A-34679	11	Plate, thrust - control housing	1
C-10-47220	12	Screw, thrust plate to neutral warm-up lever	3
C-17-20009	13	Pin, detent - control housing neutral warm-up lever	1
C-24-35210	14	Spring, detent pin	1
C-24-35227	15	Spring, detent pin tension	1
C-19-20011	16	Welch Plug, detent pin and spring retaining	1
C-34670-2	17	Lever, neutral warm-up - control housing (black)	1
C-13-34678	18	Washer, wave - neutral warm-up lever	1
C-23-33589	19	Bushing, nylon - neutral warm-up lever (5/8" I.D.)	1
C-17-34692	20	Pin, shift and throttle levers	2
C-18-29623	21	Cotter Pin, shift and throttle lever pins	2
A-59787	22	Face Cam	1
A-59371	23	Cam Follower	1
C-17-34673	24	Pin, cam follower to face cam	1
C-23-59370	25	Spacer, cam follower pin	1
C-11-31953	26	Nut, cam follower pin	1
C-23-34677	27	Bushing, nylon - face cam (1" I.D.)	2
C-19-55348	28	Plug, control housing hole	1
C-45939-2	29	Housing, remote control (port) - black	1
C-37-55325	30	Decal, control housing (MerControl)	1
C-37-46424	30	Decal, control housing (MerControl)	1
C-34689-2	31	Lever, control (black)	1
C-55339	32	Grip, control lever	1
C-10-37342	33	Screw, grip to control lever (7/16")	2
C-10-34691	34	Screw, control lever to face cam (1 1/2")	1
C-13-26992	35	Lockwasher, control lever screw	1
A-59372	36	Lever, shift - control housing	1
C-23-33589	37	Bushing, nylon - shift lever (5/8" I.D.)	1
C-10-34676	38	Screw, shift lever to control housing	1
C-12-34675	39	Washer, shift lever screw	1
C-10-37941	40	Screw, remote control housing clamping	4
C-11-34688	41	Nut, remote control housing clamping screw	4
C-10-34900	42	Screw, remote control to boat (4 1/4")	2
C-12-20346	43	Washer, remote control screw	2
C-11-24652	44	Nut, remote control to boat screw	2
A-57416-	45	Wiring Harness, external (available in lengths 10', 15', 20' and 40')	1
C-54-23567	46	Clamp, external wiring harness to boat	6
C-10-22793	47	Screw, wood - wiring harness clip to boat	6
C-22789	48	"D" Washer, wiring harness clip screw	6
C-29759	49	Switch, choke	1
A-30053	50	Collar, choke switch to control housing	1
A-32469	51	Jumper Wire, choke switch to ignition switch	1
C-57485	52	Switch, ignition (with keys) key part #C-30431	1
A-22628	53	Bezel, ignition switch to control housing	1
C-54-22627	54	Clip, inner - wiring harness to control housing	1
C-10-37260	55	Screw, wiring harness clip to control housing (7/16")	1
C-22789	56	"D" Washer, wiring harness clip screw	1
A-27913	57	Battery Terminal, negative (with bolt and nut)	1
A-27912	58	Battery Terminal, positive (with bolt and nut)	1

= available in lengths
of 10', 15', 20' and 40'