

**AUXILIARY STEERING HANDLES  
AND  
OUTSIDE-INSIDE STEERING BARS**

**ORDERING CHART:**

**Steering Handle Assemblies**

PART NO.	MODEL
A-48400A2 Page 17C	Merc 500 (Serial #2305101 and up), Merc 402 (2 cyl.), Merc 400 (2 cyl.), Merc 350 (2 cyl.) - Serial #2300972 and up
A-38445A1 Page 13C	Merc 500 (Serial #1770179 thru Serial #2215200)
A-36182A1 Page 3C	Merc 500 (Serial #1639473 thru Serial #1765043)
A-29822A1 Page 3C	Merc 500, Merc 450, Merc 400, Merc 350, Merc 300, Mark 58A, Mark 35A, Mark 58, Mark 55, Mark 50 and Mark 55H
A-39926A1 Page 14C	Merc 350 (2 cyl.) - Serial #1976427 thru Serial #2258863
A-34129A6 Page 10C	Merc 350 (2 cyl.) - Serial #1571114 thru Serial #1901065
A-25825A1 Page 4C	Mark 30 and Mark 30E

**Co-Pilot Replacement Kit**

PART NO.	MODEL
A-52148A1 Page 18C	Merc 500 (Serial #2305101 and up), Merc 402 (2 cyl.), Merc 400 (2 cyl.)
A-29738A5 (7/8" OD) Page 18C	Merc 500 (Serial #1770179 thru Serial #2215200)
A-33984A2 Page 18C	Merc 350 (2 cyl.) - Serial #2300972 and up
A-29738A4 (7/8" OD) Page 18C	Merc 500, Merc 450, and Merc 350 (2 cyl.)
A-29738A3 (3/4"OD) Page 18C	Merc 500, Merc 450, Merc 400, Merc 350, Merc 300, Mark 58A, Mark 55A, Mark 35A, Mark 58, Mark 55 and Mark 50

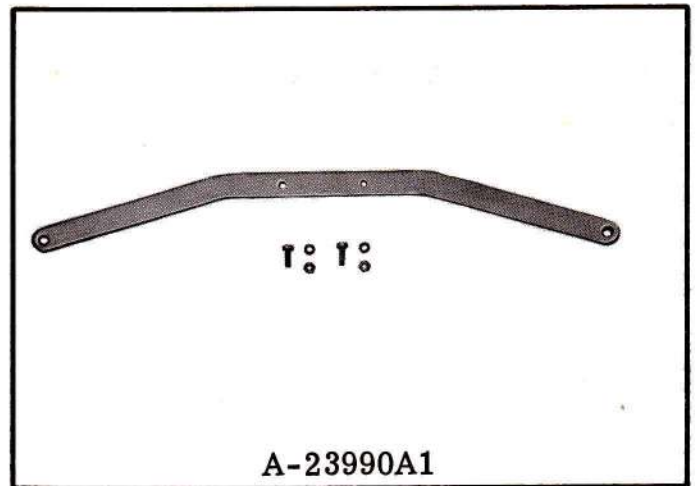
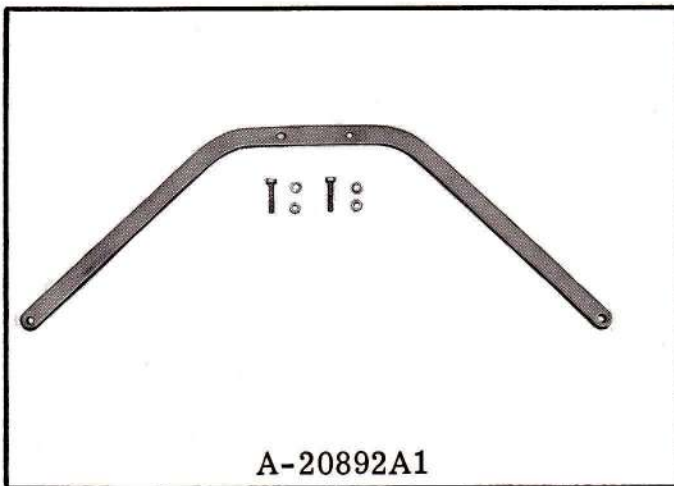
**Outside Steering Bars**

OUTSIDE	MODEL
A-20892A1 Page 1C	Mark 55H, Mark 30H, Mark 15, Mark 20, Mark 20H, KH7, KG7A and KG4H
A-23990A1 Page 1C	Mark 58A, Mark 55A, Mark 58, Mark 55, Mark 50, Mark 40, Mark 30, Mark 40H, KF9, KG9
A-24731 Page 1C	Mark 7, KE7 and KE4
A-24107A1 Page 1C	KG7, KG4 and KF7

**Inside Steering Assemblies**

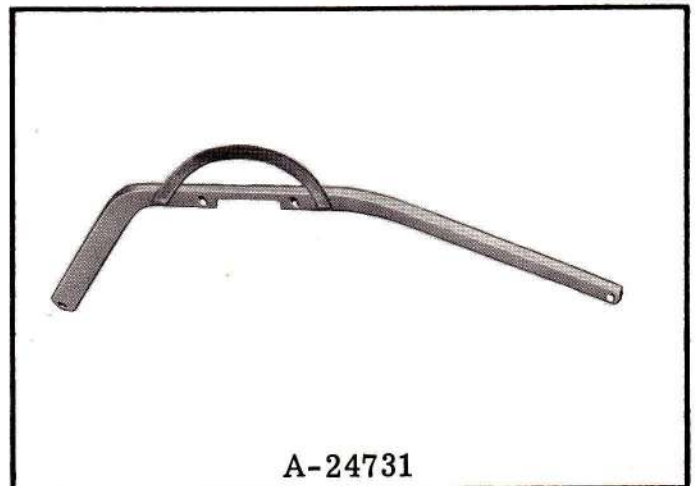
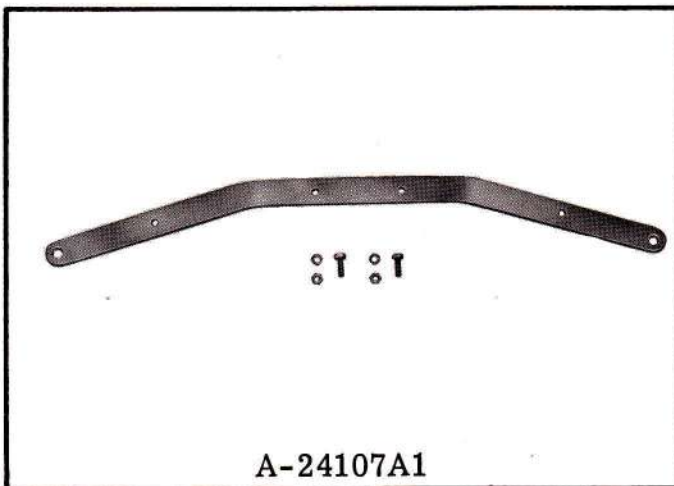
INSIDE	MODEL
A-52992A1 Page 4C	Merc 1400, Merc 1350, Merc 1250-1, Merc 1150, Merc 1000SS-1, Merc 800(4 cyl.), Merc 650(3 cyl.) Merc 650-6, Merc 500-7 (Serial # 2404273 and up), Merc 402, Merc 400 (2 cyl.), Merc 350-5 (Serial #2453068 and up)
A-38397A1 Page 4C	Merc 1250, Merc 1100, Merc 1000-2, Merc 950, Merc 900, Merc 650-2, Merc 500-4 and Merc 350-3
A-30152A1 Page 8C	Merc 1000, Merc 850, Merc 800, Merc 700, Merc 650, Merc 600, Merc 500, Merc 450, Merc 400, Merc 350, Merc 300, Mark 78A, Mark 75A, Mark 58A, Mark 55A, Mark 35A, Mark 78, Mark 75, Mark 58, Mark 55, Mark 50, Mark 55H and Mark 30H
A-25882A2 Page 7C	Mark 25
A-20507A3 Page 7C	Mark 20 and Mark 15
A-28689A1 Page 9C	Merc 250, Merc 200, Merc 150, Merc 100, Mark 28A, Mark 15A, Mark 10A, Mark 28 and Mark 10
A-34152A3 Page 8C	Merc 350 (2 cyl.) NOTE: A-34152A3 supersedes A-34152A1 Inside Steering Assembly
A-34746A2 Page 8C	Merc 200 (full gear shift)
A-34745A2 Page 8C	Merc 110, Merc 75, Merc 60, Merc 40 and Merc 39

## OUTSIDE STEERING BARS



The following parts are included with A-20892A1 and A-23990A1 Steering Bars:

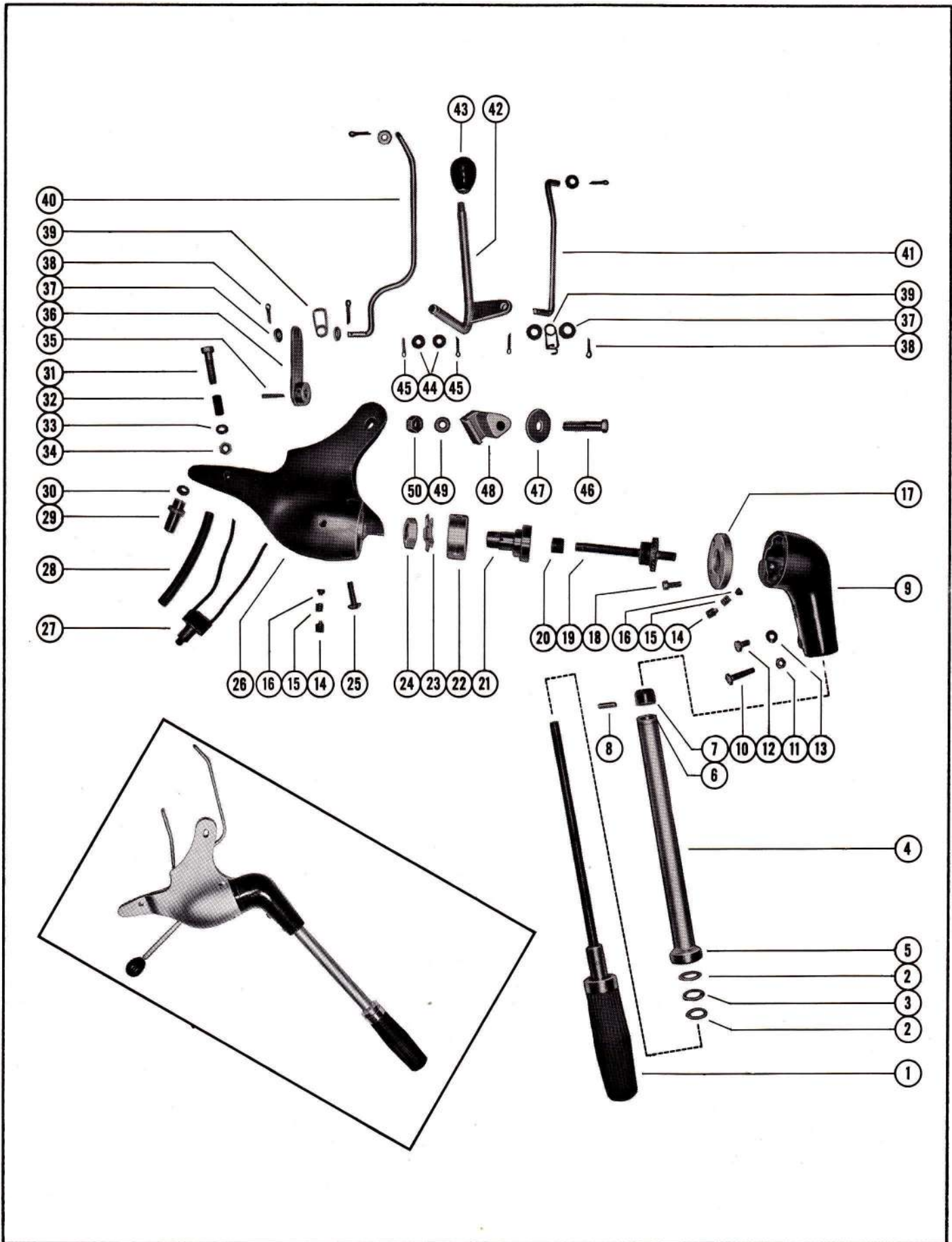
C-10-20639	Screw, steering bar attaching	2
C-11-20640	Nut, steering bar screw	2
C-13-26993	Lockwasher, steering bar screw	2



The following parts are included with A-24107A1 Steering Bar:

C-10-21625	Screw, steering bar attaching	2
C-11-21825	Nut, steering bar screw	2
C-13-26992	Lockwasher, steering bar screw	2

# STEERING HANDLE ASSEMBLY, COMPLETE



STEERING HANDLE ASSEMBLY, COMPLETE

PART NO.	REF. NO.	DESCRIPTION	A-25262A1	A-29822A1	A-36182A1
A-25262A1	-	Steering Handle Assembly, Complete	1	-	-
A-29822A1	-	Steering Handle Assembly, Complete	-	1	-
A-36182A1	-	Steering Handle Assembly, Complete	-	-	1
A-20591A12	-	Steering Handle Assembly	1	1	1
A-20591A1	1	Handle, Grip and Shaft Assembly	1	-	-
A-20591A11	1	Handle, Grip and Shaft Assembly	-	1	1
A-15-20729	2	Shim, steel - steering handle (.010)	2	2	2
C-13-20730	3	Washer, wave - steering handle	1	1	1
A-20731A1	4	Tube Assembly, steering handle	1	-	-
A-29429A1	4	Tube Assembly, steering handle	-	1	1
A-20732	5	Ring, pointer - steering handle tube	1	1	1
A-23-20733	6	Bushing, steering handle tube	1	1	1
A-15-20729	-	Shim, steel - tube assembly to gear (.010)	AR	AR	AR
A-43-23221	7	Gear, bevel pinion - grip and shaft assembly	1	1	1
C-17-24865	8	Pin, groove - pinion gear to shaft	1	1	1
A-20735	9	Elbow, steering handle	1	1	1
C-10-21091	10	Screw, steering handle to elbow (1 1/8")	1	1	1
C-11-20361	11	Nut, steering handle clamping screw	1	1	1
C-10-20031	12	Screw, steering handle locating (1/2")	1	1	1
C-13-26992	13	Lockwasher, steering handle locating screw	1	1	1
C-10-20608	14	Screw, friction plug - elbow and bracket	2	2	2
A-24-20609	15	Spring, friction plug screw	2	2	2
A-20737	16	Plug, friction - elbow and bracket	2	2	2
A-20744	17	Plate, elbow cover	1	1	1
C-10-20738	18	Screw, cover plate to elbow (5/8")	4	4	4
A-25274A1	19	Cross Shaft Assembly	1	1	1
A-23-25335	20	Spacer, cross shaft gear to bushing	1	1	1
A-23-20743	21	Bushing, cross shaft	1	1	1
A-25285	22	Support, cross shaft bushing	1	1	1
C-14-20745	23	Tab Washer, cross shaft bushing nut	1	1	1
C-11-20739	24	Nut, cross shaft bushing to support	1	1	1
C-10-25279	25	Screw, support to handle bracket (1")	3	-	-
C-10-25205	25	Screw, support to handle bracket (3/4")	-	3	3
A-25270A1	26	Steering Handle Bracket Assembly	1	-	-
A-29563A1	26	Steering Handle Bracket Assembly	-	1	-
A-36216A1	26	Steering Handle Bracket Assembly	-	-	1
A-29686	27	Switch, shorting - w/lead wires	1	1	1
A-23-25303	28	Sleeve, rubber - shorting switch	1	1	1
A-21105	29	Connector, shorting switch	1	1	1
C-25-21706	30	"O" Ring, shorting switch connector	1	1	1
C-10-21339	31	Screw, handle bracket to bottom cowl (1 3/8")	1	1	-
C-10-31834	31	Screw, handle bracket to bottom cowl (1 7/8")	-	-	1
A-23-30079	32	Spacer, bracket to bottom cowl screw	-	1	1
C-12-20722	33	Washer, bracket fastening screw	1	1	1
C-11-25594	34	Nut, bracket fastening screw	1	1	1
C-17-24192	35	Pin, roll - magneto control lever to cross shaft	1	1	1
A-25275A1	36	Magneto Control Lever Assembly	1	1	1
C-12-20533	37	Washer, magneto control lever and link rod	6	6	6
C-18-25191	38	Cotter Pin, link rod fastening	6	6	6
A-24-25321	39	Spring, tension - link rod	2	2	2
A-25283	40	Rod, link - magneto control	1	1	1
A-25282	41	Rod, link - shift control	1	1	1
A-25272A1	42	Shift Control Lever Assembly	1	1	1
A-20980	43	Knob, shift control lever	1	1	1
C-12-20086	44	Washer, shift control lever to handle bracket	2	2	2
C-18-25191	45	Cotter Pin, shift control lever fastening	2	2	2
C-10-21489	46	Screw, handle bracket to bottom cowl (1 3/4")	1	-	-
C-10-21449	46	Screw, handle bracket to bottom cowl (2")	-	1	2
C-12-25828	47	Washer, handle bracket fastening screw	-	1	2
A-54-29562	48	Clamp, handle bracket fastening screw	-	1	2
C-12-20084	49	Washer, handle bracket fastening screw	2	1	2
C-11-29250	50	Nut, handle bracket fastening screw	2	1	2

NOTE: A-25262A1 and A-29822A1 Steering Handle Assemblies are no longer available. For replacement--order A-36182A1 Steering Handle Assembly. Component parts are still stocked, so order your replacement parts accordingly.

**AUXILIARY STEERING HANDLE ASSEMBLY**

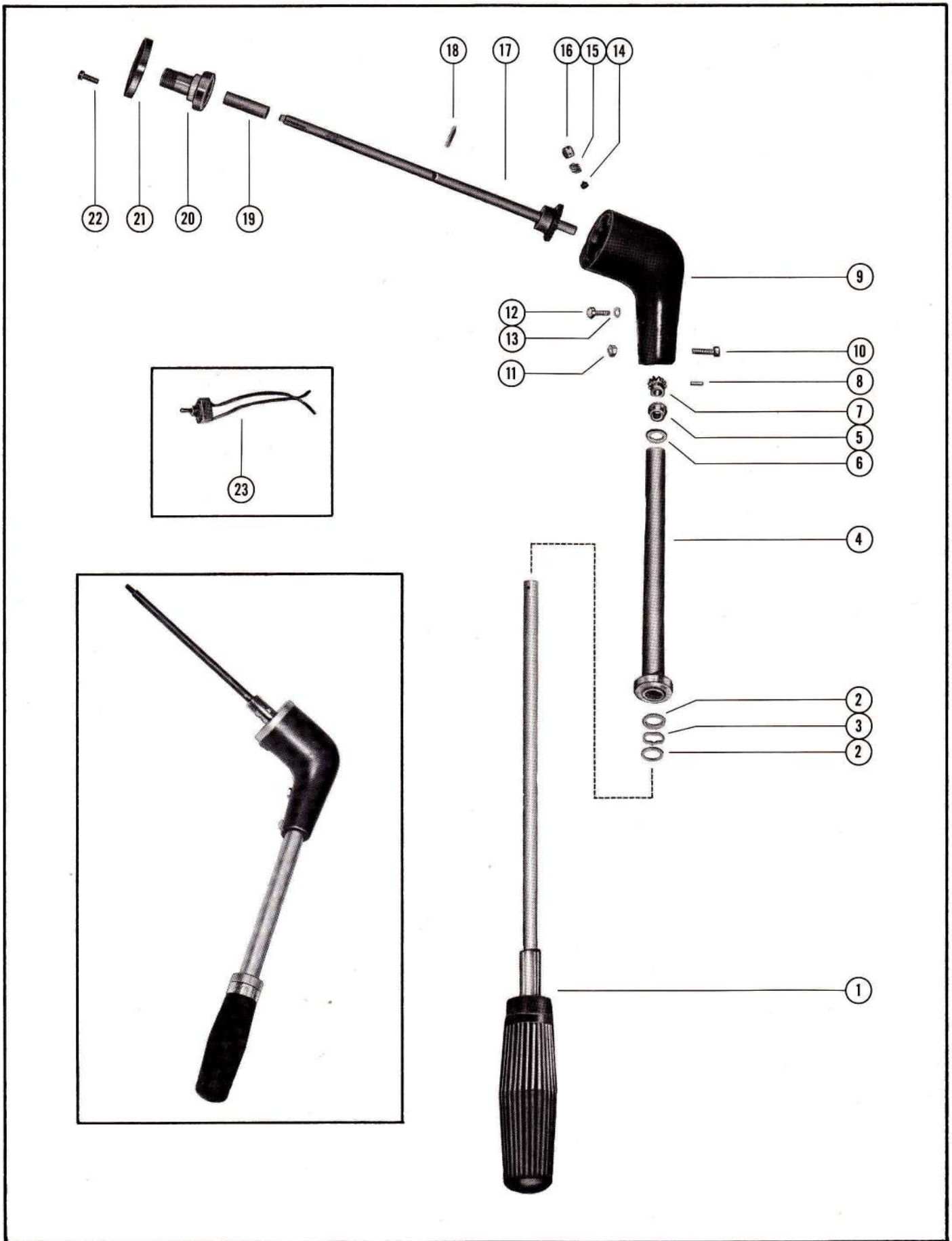
PART NO.	REF. NO.	DESCRIPTION	Mark 30 & 30E
A-25825A1	-	Auxiliary Steering Handle Assembly, Complete	1
A-20591A2	-	Steering Handle Assembly	1
A-20591A1	1	Handle Grip and Shaft Assembly	1
A-15-20729	2	Shim, steering handle (.010)	2
C-13-20730	3	Washer, wave - steering handle	1
A-20731A1	4	Tube Assembly, steering handle	1
A-20732	-	Ring, pointer - steering handle tube	1
A-23-20733	5	Bushing, steering handle tube	1
A-15-20729	6	Shim, steering handle (.010)	AR
A-43-23221	7	Gear, bevel pinion - steering handle	1
C-17-24865	8	Pin, groove - pinion gear retaining	1
A-21648	9	Elbow, steering handle	1
C-10-21091	10	Screw, elbow to steering handle clamping	1
C-11-20361	11	Nut, elbow to steering handle clamping screw	1
C-10-20031	12	Screw, steering handle locating	1
C-13-26992	13	Lockwasher, steering handle locating screw	1
A-20737	14	Plug, friction - elbow	1
A-24-20609	15	Spring, friction plug - elbow	1
C-10-20608	16	Screw, friction plug - elbow	1
A-25826A1	17	Cross Shaft Assembly	1
C-17-25319	18	Pin, roll - cross shaft	1
A-23-25346	19	Tube, spacer - cross shaft	1
A-23-25827	20	Bushing, cross shaft	1
A-20744	21	Plate, elbow cover	1
C-10-20738	22	Screw, cover plate to elbow	4
A-25933	23	Switch, magneto shorting - bottom cowl	1
C-13-21972	--	Lockwasher, shorting switch fastening	1
C-11-21971	--	Nut, shorting switch fastening	1

*NOTE: Order the above Auxiliary Steering Handle Assembly for all Mark 30 and Mark 30E engines from Serial #984920 and up. Not standard equipment, sold only as an accessory.*

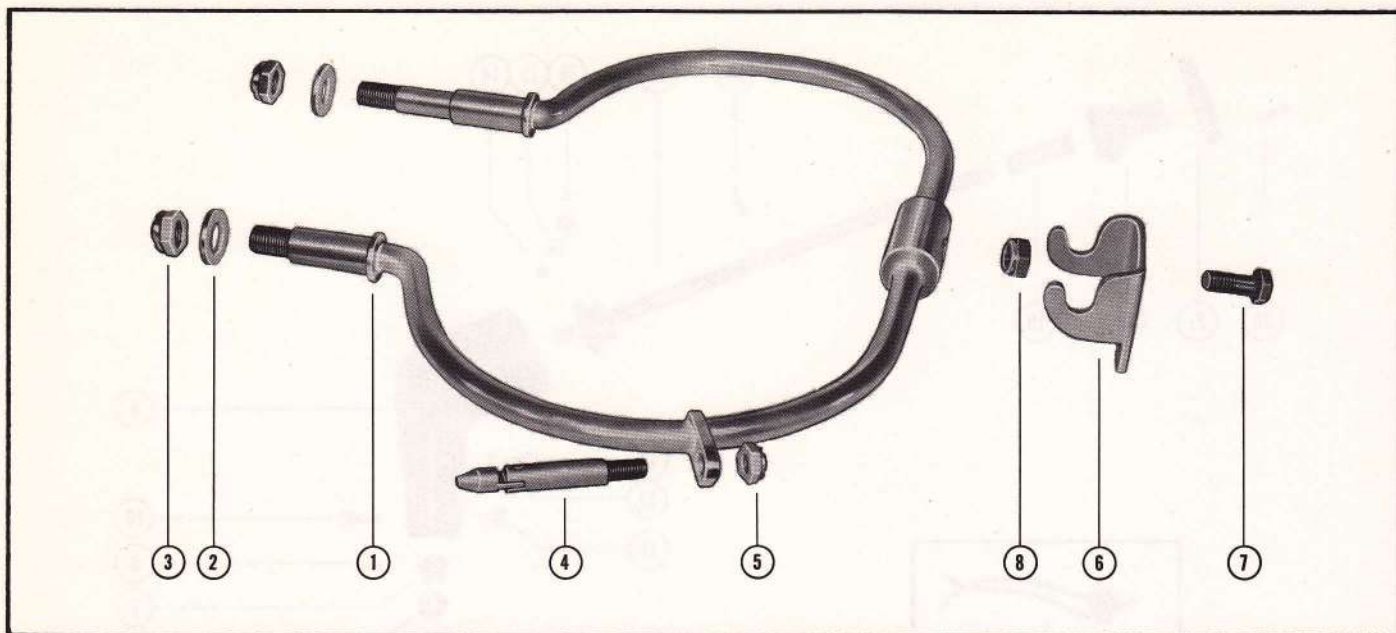
**STEERING BRACKET ASSEMBLY**

PART NO.	REF. NO.	DESCRIPTION	A-38397A1	A-52992A1
A-38397A1	1	Steering Bracket Assembly	1	-
●A-52992A1	1	Steering Bracket Assembly	-	1
C-10-34352	2	Screw, bracket to steering arm	1	-
C-10-37909	2	Screw, bracket to steering arm	-	1
C-11-20509	3	Nut, steering bracket screw	1	1
C-23-35016	4	Spacer, screw to bracket	-	1

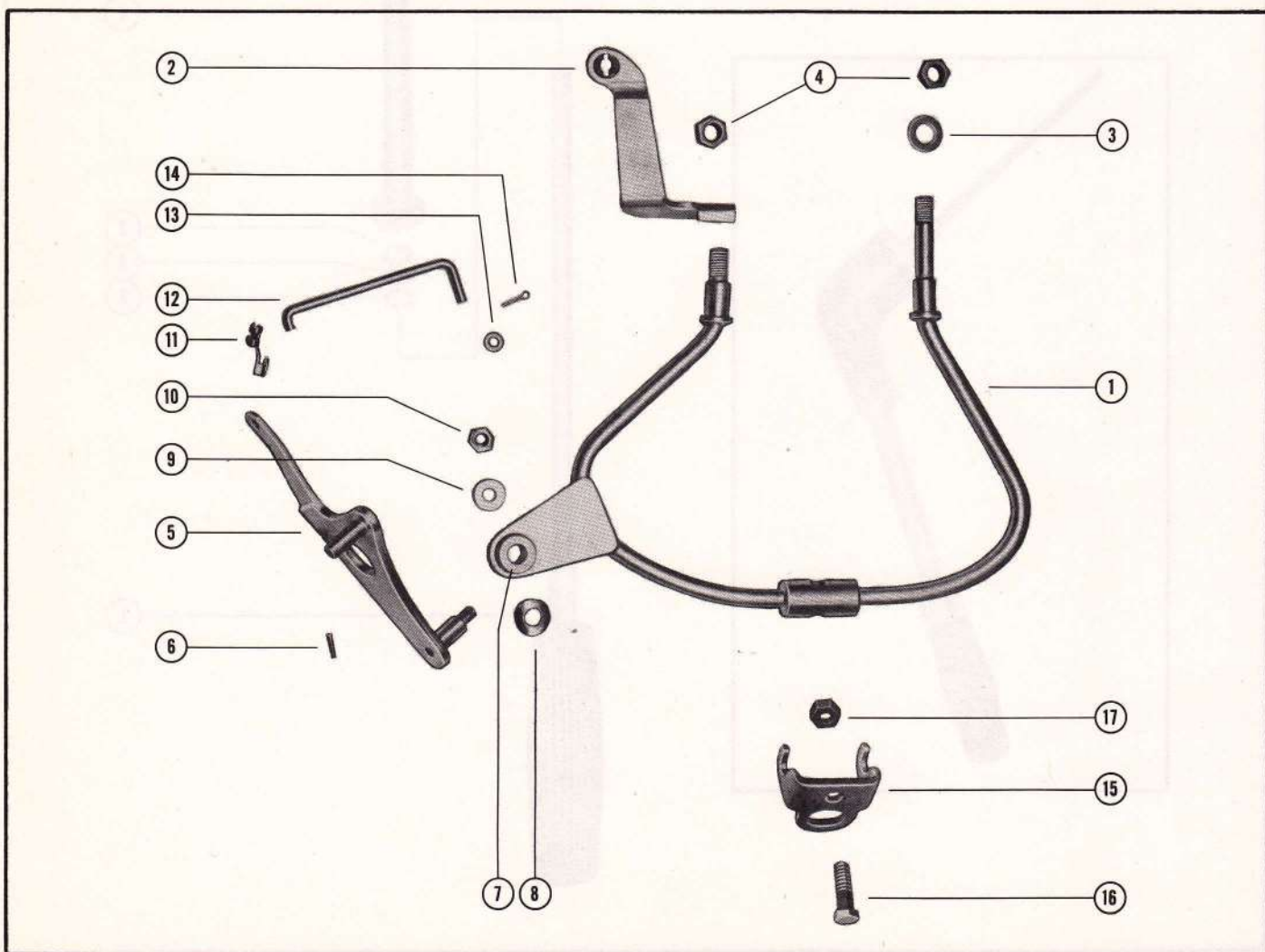
# AUXILIARY STEERING HANDLE ASSEMBLY



### INSIDE STEERING BAR



### INSIDE STEERING BAR



### INSIDE STEERING BAR

PART NO.	REF. NO.	DESCRIPTION	MARK	MARK
			*15	*20
A-20507A3	1	Inside Steering Bar Assembly, Complete	1	1
C-12-20553	2	Washer, steering bar	2	2
C-11-20509	3	Nut, steering bar	2	2
A-20403A1	4	Swivel Lock Assembly	1	1
C-11-20664	5	Nut, swivel lock to steering bar	1	1
A-20502A1	6	Swivel Assembly	1	1
C-10-21339	7	Screw, swivel to steering bar	1	1
C-11-20102	8	Nut, swivel to steering bar screw	1	1

\* For engines below Serial #754097, the throttle and shift lock bracket must be replaced with later style bracket, part number A-20548.

### INSIDE STEERING BAR

PART NO.	REF. NO.	DESCRIPTION	Mark 25 & 25E	
			*	**
A-25882A2	-	Inside Steering Bar Assembly, Complete	1	1
A-25882	1	Steering Bar Assembly	1	1
A-23859A1	2	Cable Anchor Bracket Assembly	1	1
C-12-20553	3	Washer, steering bar	1	1
C-11-20509	4	Nut, steering bar to steering bracket	2	2
A-25114	5	Bell Crank	1	1
C-17-23928	6	Pin, roll - bell crank pivot pin	1	1
A-23-23845	7	Bushing, flange - support bracket	1	-
A-23-26954	7	Bushing, flange - support bracket	-	2
C-13-23644	8	Washer, wave - bell crank shoulder screw	1	-
C-12-22937	9	Washer, bell crank shoulder screw	1	1
C-11-20664	10	Nut, bell crank shoulder screw	1	1
C-54-23856	11	Clip, clevis - link to bell crank	1	-
A-23855	12	Link, bell crank to shift control lever (see note (1) below)	1	1
C-12-26014	13	Washer, link fastening to control lever	1	1
C-18-26953	14	Cotter Pin, link fastening	1	2
A-20502A1	15	Swivel Assembly	1	1
C-10-21339	16	Screw, swivel to steering bar	1	1
C-11-20102	17	Nut, swivel to steering bar screw	1	1

\* Early Style

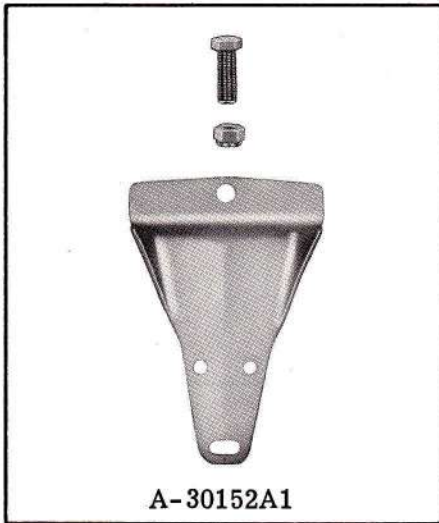
\*\* Late Style

NOTE (1): On later style steering bar assemblies, the A-23855 link has a hole drilled in each end for fastening with cotter pins. Where no hole is drilled in small end, use clevis clip in place of one cotter pin.

NOTE (2): On early style inside steering bar assemblies, A-17-20503 Pin, C-24-20510 Spring and C-17-23928 Roll Pin were used in place of present setup of one C-10-21339 Screw and C-11-20102 Nut.



## INSIDE STEERING BRACKETS



The following parts are included with A-30152A1 Steering Bracket Ass'y:

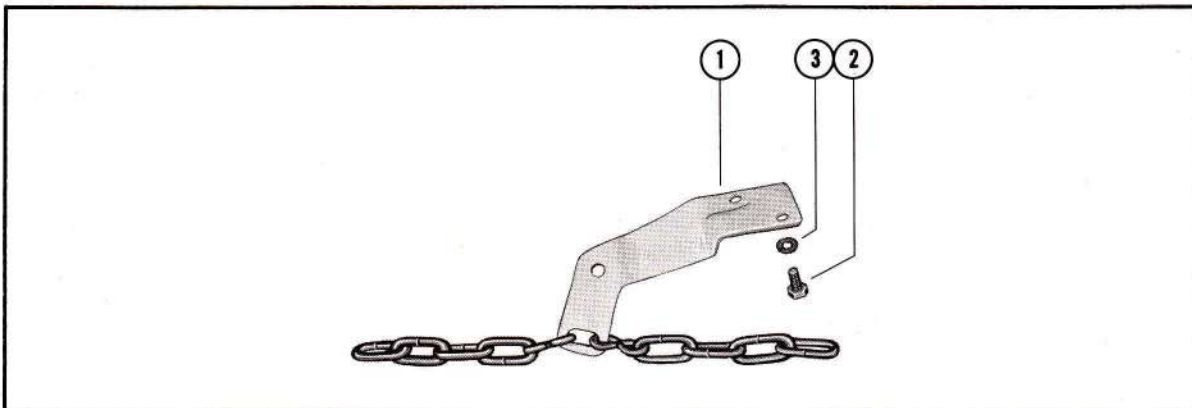
- |            |                                       |   |
|------------|---------------------------------------|---|
| C-10-30155 | Screw, steering bracket attaching     | 1 |
| C-11-22178 | Nut, steering bracket attaching screw | 1 |

(Use on engines where hole in bottom cowl is 29/64" diameter)

On engines where hole in bottom cowl is 3/8" diameter, replace above parts with the following:

- |            |  |   |
|------------|--|---|
| C-10-20639 | Screw, steering bracket attaching        | 1 |
| C-12-25866 | Washer, steering bracket attaching screw | 1 |
| C-11-21528 | Nut, steering bracket attaching screw    | 1 |

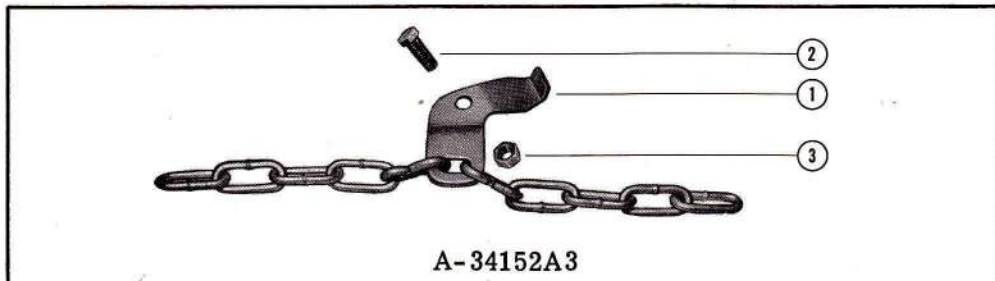
### STEERING BRACKET ASSEMBLY (Merc 200 Full Gear Shift, 110, 75, 60, 40 and 39)



PART NO.	REF. NO.	DESCRIPTION	QUAN.
A-34745A2	1	Steering Bracket Assembly	-
A-34746A2	1	Steering Bracket Assembly <small>see note below</small>	1
C-10-28635	2	Screw, steering bracket to steering arm bracket	2
C-13-26992	3	Lockwasher, steering bracket screw	2

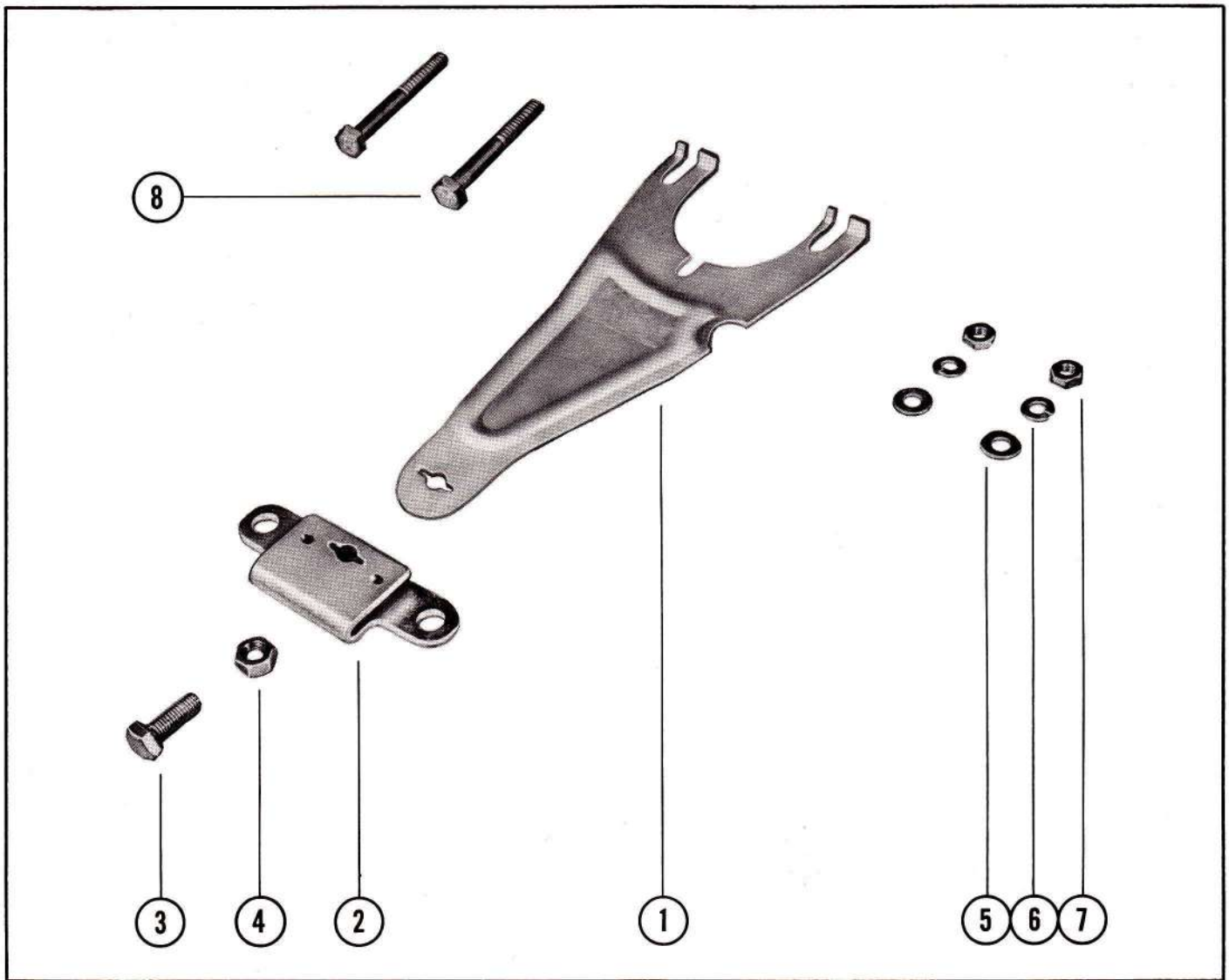
NOTE: A-34745A2 Steering Bracket Assembly for use on Merc 110, 75, 60, 40 and 39 only, and A-34746A2 Steering Bracket Assembly for use on Merc 200 Full Gear Shift only.

### STEERING BRACKET ASSEMBLY (Merc 350 - 2 Cylinder)



PART NO.	REF. NO.	DESCRIPTION	QUAN.
A-34152A3	1	Steering Bracket Assembly	1
C-10-20090	2	Screw, steering bracket to steering arm	1
C-11-20509	3	Nut, steering bracket screw	1

## INSIDE STEERING BRACKET ASSEMBLY



## INSIDE STEERING BRACKET ASSEMBLY

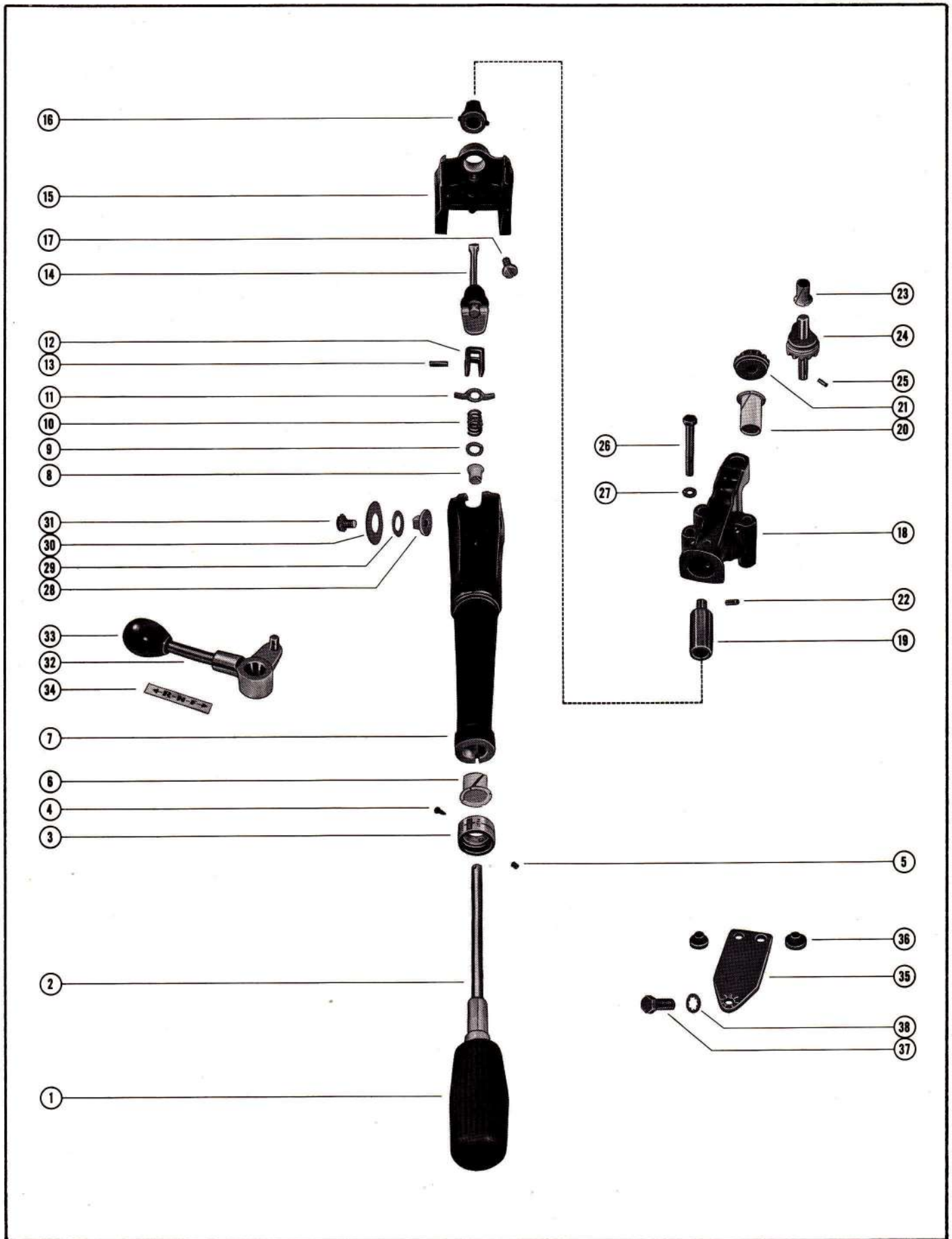
PART NO.	REF. NO.	DESCRIPTION	QUAN.
A-28689A1	-	Inside Steering Bracket Assembly	1
A-28689	1	Bracket, inside steering	1
A-28691	2	Connector, inside steering bracket	1
C-10-20705	3	Screw, connector to steering bracket	1
C-11-20102	4	Nut, connector fastening screw	1
A-17-28690	-	Pin, connector to steering bracket	1
C-24-20510	-	Spring, connector pin	1
C-17-23928	-	Roll Pin, spring to connector pin	1
C-12-20533	5	Washer, check unit adaptor screw	2
C-13-26992	6	Lockwasher, check unit adaptor screw	2
C-11-20013	7	Nut, check unit adaptor fastening screw	2
C-10-21937	8	Screw, steering bracket to saddle (2'')	2

STEERING HANDLE ASSEMBLY, COMPLETE

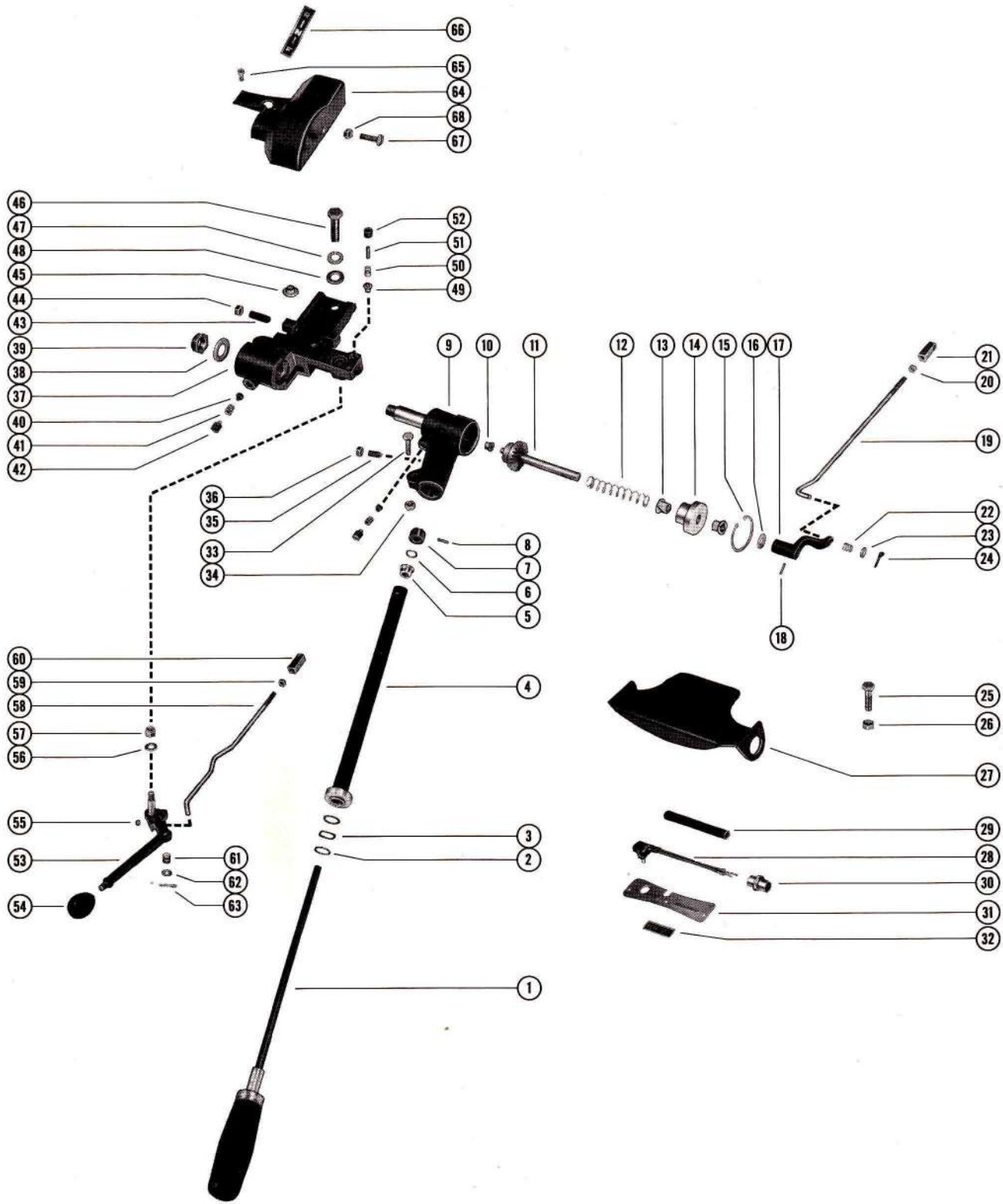
PART NO.	REF. NO.	DESCRIPTION	QUAN.
A-34129A6	-	Steering Handle Assembly, Complete - <i>see note below</i>	1
A-33405A2	-	Steering Handle Assembly	1
A-27763	1	Grip, rubber - steering handle body	1
A-33404	2	Body and Shaft, steering handle	1
A-31001	3	Indicator, speed and shift - steering handle	1
C-10-22290	4	Screw, drive - indicator to steering handle body	1
C-10-31002	5	Screw, set - speed and shift indicator	1
A-23-30677	6	Bushing, nylon - steering handle to body	1
A-33405A1	7	Steering Handle Assembly	1
A-23-28100	8	Bushing, nylon - steering handle	1
C-12-20084	9	Washer, steering handle shaft	1
A-24-26703	10	Spring, steering handle shaft	1
C-14-26706	11	Tab Washer, yoke pin holding	1
A-30235	12	Yoke, steering handle shaft	1
C-17-26862	13	Pin, yoke to steering handle shaft	1
A-33535A1	14	Throttle Control Shaft Assembly	1
A-35570	15	Bracket, steering arm	1
A-30970	16	Boot, rubber - throttle control shaft	1
C-10-28663	17	Screw, throttle control shaft to bracket	1
A-34138	18	Bracket, throttle control	1
A-31200	19	Socket, throttle control	1
A-23-31011	20	Bushing, nylon - throttle control socket	1
A-43-30703	21	Gear, throttle control socket	1
C-17-22896	22	Pin, roll - gear to throttle control socket	1
A-23-34136	23	Bushing, nylon - gear to control bracket	1
A-43-34137	24	Gear, vertical - control bracket	1
C-17-23928	25	Pin, roll - vertical gear to control bracket	1
C-10-30720	26	Screw, throttle control bracket to bottom cowl	3
C-13-26992	27	Lockwasher, throttle control bracket screw	3
A-26711	28	Pivot, steering handle to bracket	2
A-15-26707	29	Shim, steering handle pivot to bracket	2
A-15-28485	30	Shim, steering handle to arm bracket	2
C-10-28592	31	Screw, steering handle to arm bracket	2
A-34135	32	Lever, shift control	1
A-20980	33	Knob, shift control lever	1
A-37-34204	34	Decal, bottom cowl	1
A-33984	35	Plate, clamp	1
A-23026	36	Disc, friction - clamp plate	2
C-10-26065	37	Screw, clamp plate to swivel bracket	1
C-13-21804	38	Lockwasher, clamp plate fastening screw	1

NOTE: For use on Merc 350 (2 cylinder) engines only. A-34129A4 Steering Handle Assembly is no longer available and is superseded by A-34129A6 Steering Handle Assembly.

# STEERING HANDLE ASSEMBLY, COMPLETE



# STEERING HANDLE ASSEMBLY, COMPLETE



STEERING HANDLE ASSEMBLY, COMPLETE

PART NO.	REF. NO.	DESCRIPTION	QUAN.
●A-38445A1	-	Steering Handle Assembly, Complete	1
●A-20591A13	-	Steering Handle Assembly, Complete	1
A-20591A11	1	Steering Handle Assembly	1
A-15-20729	2	Shim, steering handle (.010)	2
C-13-20730	3	Washer, wave - steering handle	1
●A-32-38926A1	4	Tube Assembly, steering handle	1
A-23-20733	5	Bushing, steering handle tube	1
A-15-20729	6	Shim, steering handle to gear	AR
A-43-23221	7	Gear, bevel pinion - steering handle	1
C-17-24865	8	Pin, pinion gear to steering handle	1
●A-38464	9	Elbow, steering handle	1
A-23-26856	10	Bushing, nylon - gear and shaft (1/4" I. D.)	1
●A-38479A1	11	Gear and Shaft Assembly	1
●A-24-38741	12	Spring, compression - gear and shaft	1
A-23-26954	13	Bushing, nylon - end cover (3/8" I. D.)	2
●A-38483	14	End Cover, gear and shaft (steering elbow)	1
●C-53-38476	15	Ring, snap - end cover retaining	1
●A-12-38742	16	Washer, gear and shaft	1
●A-38480	17	Arm throttle - gear and shaft	1
●C-17-38489	18	Pin, roll - throttle arm to gear and shaft	1
●A-38493	19	Link Rod, throttle	1
C-11-21869	20	Nut, jam - throttle link rod	1
●A-38475	21	Rod End, throttle link rod	1
●A-24-38497	22	Spring, throttle link rod	1
C-12-29245	23	Washer, throttle link rod	1
C-18-25191	24	Cotter Pin, throttle link rod to throttle arm	1
C-10-35871	25	Screw, link rod to steering bracket (1 1/2")	1
C-11-20509	26	Nut, link rod screw	1
●A-38843	27	Bracket, support - steering	1
●A-38490	28	Switch, shorting - baffle plate	1
●A-23-38492	29	Sleeve, shorting switch	1
●A-22-38485	30	Connector, shorting switch	1
●A-38491	31	Plate, baffle - bottom cowl	1
●A-37-38484	32	Decal, bottom cowl (off-on)	1
C-10-21091	33	Screw, steering handle to elbow (1 1/8")	1
C-11-20361	34	Nut, steering handle screw	1
●A-10-38925	35	Screw, set - steering elbow	1
C-11-20890	36	Nut, steering elbow set screw	1
●A-38482	37	Bracket, steering lever	1
●A-12-38503	38	Washer, steering elbow to steering bracket nut	1
C-11-22339	39	Nut, steering elbow to steering bracket	1
A-20737	40	Plug, friction - steering bracket and elbow	2
A-24-20609	41	Spring, friction plug screw	2
C-10-20608	42	Screw, friction plug - steering bracket and elbow	2
●A-10-38488	43	Screw, set - steering lever bracket	2
C-11-22046	44	Nut, jam - steering lever bracket set screw	2
●A-38855	45	Button, nylon - steering lever bracket	3
C-10-35871	46	Screw, steering bracket to engine (1 1/2")	1
C-13-20758	47	Lockwasher, steering bracket screw	1
C-12-20553	48	Washer, steering bracket screw	1
C-17-20009	49	Pin, detent - shift lever	1
C-24-35227	50	Spring, compression - shift lever detent pin	1
C-24-35210	51	Spring, tension - shift lever detent pin	1
C-10-22928	52	Screw, set - shift lever detent pin	1
●A-38481A1	53	Lever Assembly, shift	1
A-20980	54	Knob, shift lever	1
●C-10-38477	55	Screw, set - shift lever	1
A-12-34437	56	Washer, shift lever	1
C-11-21528	57	Nut, shift lever to bracket	1
●A-38494	58	Link Rod, shift	1
C-11-21869	59	Nut, jam - shift link rod	1
A-38475	60	Rod End, shift link rod	1
A-24-38497	61	Spring, shift link rod	1
C-12-29245	62	Washer, shift link rod	1
C-18-25191	63	Cotter Pin, shift link rod to shift lever	1
●A-38495	64	Cover, steering bracket	1
C-10-20100	65	Screw, cover to steering bracket (1/2")	2
●A-37-38620	66	Decal, steering bracket cover (F-N-R)	1
C-10-25279	67	Screw, stop - steering cover	1
C-11-20890	68	Nut, steering cover stop screw	1

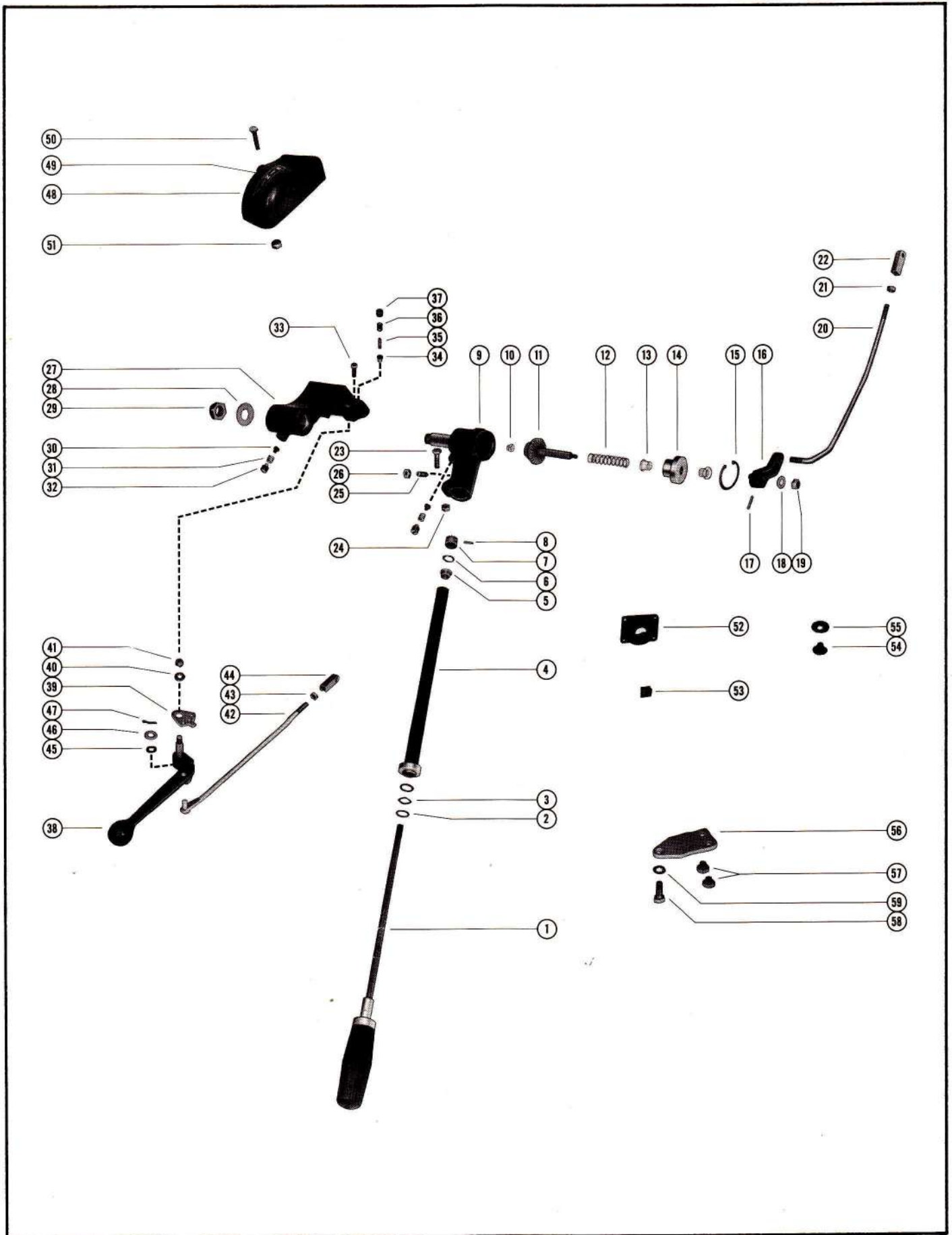
use in conjunction with A-29738A5 Co-Pilot Kit only.

STEERING HANDLE ASSEMBLY, COMPLETE

PART NO.	REF. NO.	DESCRIPTION	QUAN.
A-39926A1	-	Steering Handle Assembly, Complete ( <i>see note below</i> )	1
A-20591A13	-	Steering Handle Assembly, Complete	1
A-20591A11	1	Steering Handle Assembly	1
A-15-20729	2	Shim, steering handle (.010)	2
C-13-20730	3	Washer, wave - steering handle	1
A-32-38926A1	4	Tube Assembly, steering handle	1
A-23-20733	5	Bushing, steering handle tube	1
A-15-20729	6	Shim, steering handle tube to pinion gear (.010)	AR
A-43-23221	7	Gear, pinion - steering handle	1
C-17-24865	8	Pin, pinion gear to steering handle	1
A-38464	9	Elbow, steering handle	1
A-23-26856	10	Bushing, nylon - shaft and gear (1/4" I. D.)	1
A-45058A1	11	Shaft and Gear Assembly, steering elbow	1
A-24-38741	12	Spring, compression - shaft and gear	1
A-23-26954	13	Bushing, nylon - end cover (3/8" I. D.)	2
A-38483	14	End Cover, shaft and gear - steering elbow	1
C-53-38476	15	Ring, snap - end cover retaining	1
A-45035	16	Arm, throttle - shaft and gear	1
C-17-26759	17	Pin, roll - throttle arm to shaft and gear	1
A-12-34437	18	Washer, shaft and gear	1
C-11-20102	19	Nut, throttle arm to shaft and gear	1
A-45072	20	Rod, throttle	1
C-11-21869	21	Nut, jam - throttle rod (1/4")	1
A-38475	22	Rod End, throttle rod	1
C-10-21091	23	Screw, steering handle to steering elbow (1 1/8")	1
C-11-20361	24	Nut, steering handle screw	1
C-10-32571	25	Screw, set - steering elbow	1
C-11-20890	26	Nut, steering elbow set screw	1
A-45025	27	Bracket, steering handle	1
A-12-38503	28	Washer, steering elbow to steering bracket nut	1
C-11-22339	29	Nut, steering elbow to steering bracket	1
A-20737	30	Plug, friction - steering handle bracket and elbow	2
A-24-20609	31	Spring, friction plug screw	2
C-10-20608	32	Screw, friction plug - steering handle bracket and elbow	2
C-10-20646	33	Screw, cover to steering bracket (5/8")	1
A-17-45065	34	Pin, detent - shift lever	1
C-24-35210	35	Spring, tension - shift lever detent pin	1
C-24-35227	36	Spring, compression - shift lever detent pin	1
C-10-38477	37	Screw, set - shift lever detent pin	1
A-45043A1	38	Shift Lever Assembly	1
A-45067	39	Plate, detent - shift lever	1
A-12-34437	40	Washer, shift lever	1
C-11-20102	41	Nut, shift lever to steering handle bracket	1
A-45062A1	42	Shift Rod Assembly	1
C-11-21869	43	Nut, jam - shift rod	1
A-38475	44	Rod End, shift rod	1
C-13-28943	45	Washer, wave - shift rod	1
C-12-29245	46	Washer, shift rod	1
C-18-20180	47	Cotter Pin, shift rod to shift lever	1
A-45026	48	Cover, steering bracket	1
A-37-38620	49	Decal, steering bracket cover (F-N-R)	1
C-10-24644	50	Screw, cover to steering bracket (1 3/8")	1
C-11-20586	51	Nut, cover to steering bracket screw	1
A-45064	52	Cover, bottom cowl - shorting switch	1
C-54-22783	53	"S" Clip, bottom cowl - shorting switch leads	1
A-19-35827	54	Plug, bottom cowl (shorting switch hole)	1
C-53-30428	55	Fastener, plug to bottom cowl	1
A-33984	56	Plate, clamp - co-pilot	1
A-23026	57	Disc, friction - clamp plate	2
C-10-26065	58	Screw, clamp plate to swivel bracket	1
C-13-21804	59	Lockwasher, clamp plate screw	1

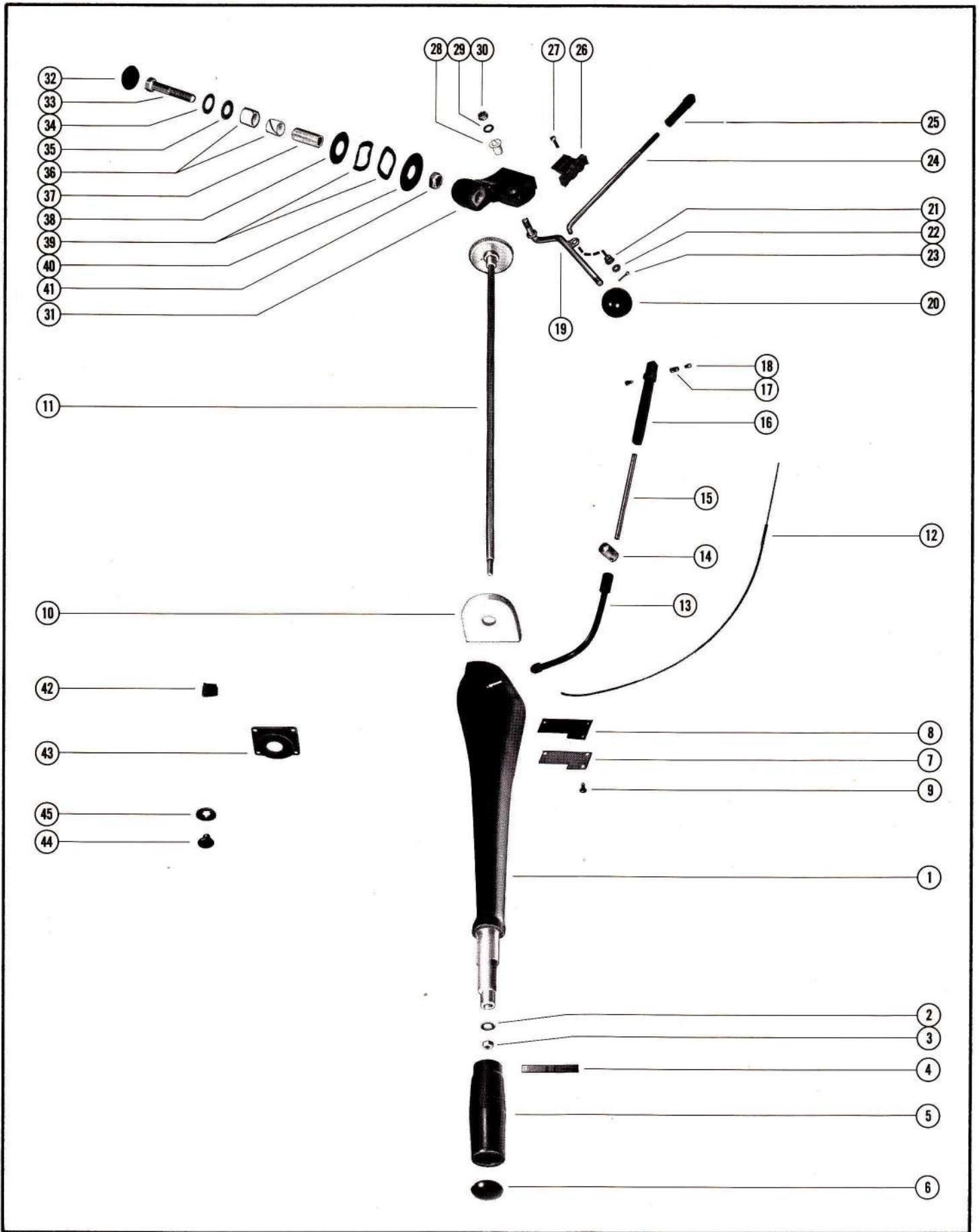
NOTE: For use on Merc 350 (2-cylinder) serial #1976427 thru #2258863.

# STEERING HANDLE ASSEMBLY, COMPLETE





# STEERING HANDLE ASSEMBLY



STEERING HANDLE ASSEMBLY

PART NO.	REF. NO.	DESCRIPTION	QUAN.
A-48400A1	-	Steering Handle Assembly (see note below) ---	1
A-48405	1	Arm, steering handle	1
C-12-21631	2	Washer, steering handle arm	1
C-11-20664	3	Nut, steering handle arm	1
A-37-48569	4	Decal, throttle position indicator	1
A-48415	5	Grip, steering handle arm	1
A-48416	6	Cap, steering handle grip	1
A-48519	7	Plate, cover - drive wheel	1
A-27-48518	8	Gasket, cover plate	1
C-10-28192	9	Screw, drive wheel cover plate fastening (1/2")	4
A-48414	10	Housing, drive wheel - steering arm handle	1
A-48516A1	11	Drive Wheel and Rod Assembly	1
A-48520	12	Cable, throttle	1
A-32-48595	13	Conduit, cable (MERC 350 AND 400 ONLY) ---	1
A-20552	14	Connector, control linkage	1
A-48570	15	Tube, throttle cable guide	1
A-29880	16	Guide, throttle cable	1
A-20007	17	Anchor, throttle cable	1
C-10-20518	18	Screw, throttle cable anchor	2
A-48521	19	Shift Lever	1
A-37813	20	Knob, shift lever	1
A-23-48475	21	Bushing, nylon - shift rod (1/4" I. D.)	1
C-12-35950	22	Washer, shift rod	1
C-18-25191	23	Cotter Pin, shift rod	1
A-49563	24	Rod, shift	1
A-48419	25	Rod End, shift rod	1
A-48433	26	Detent, shift lever	1
C-10-32024	27	Screw, shift lever detent to steering handle bracket	2
A-23-48237	28	Bushing, nylon - shift lever (3/8" I. D.)	1
C-12-37828	29	Washer, shift lever	1
C-11-34863	30	Nut, shift lever to steering handle bracket	1
A-48404	31	Bracket, steering handle	1
A-48416	32	Cap, steering handle bracket	1
A-10-48476	33	Screw, steering handle bracket to steering handle	1
A-12-48477	34	Washer, steering handle bracket (.505 I. D.)	1
A-12-48526	35	Washer, nylon - steering handle bracket (.630 I. D.)	1
A-23-28919	36	Bushing, nylon - steering handle bracket (5/8" I. D.)	2
A-23-48525	37	Spacer, steering handle bracket	1
A-12-48527	38	Washer, nylon - steering handle bracket (1 35/64" O. D.)	1
A-13-48478	39	Wave Washer, steering handle bracket	2
A-12-49636	40	Washer, nylon - steering handle bracket (1 3/4" O. D.)	1
C-11-20220	41	Nut, steering handle bracket screw	1
C-54-22783	42	"S" Clip, bottom cowl - shorting switch leads	1
A-45064	43	Cover, bottom cowl - shorting switch	1
C-19-35827	44	Plug, bottom cowl - shorting switch hole	1
C-53-30428	45	Fastener, plug to bottom cowl	1

A-48400A1 is No Longer Available. Order A-48400A2 Which Includes A-52148A1 Co-Pilot Kit (Page 18C)

For Merc 500 models, order A-32-48596 Conduit.

NOTE: A-48400A1 Steering Handle Assembly must be used on the following engines:

- Merc 350 - Serial #2300972 and up
- Merc 400 (2 cylinder) - all
- Merc 500 - Serial #2305101 and up

CO-PILOT REPLACEMENT ASSEMBLY

PART NO.	REF. NO.	DESCRIPTION	A-29738A3	A-29738A4	A-29738A5	A-52148A1	A-33984A2
A-29738A3	-	Co-Pilot Replacement Assembly (3/4" OD Cable)	1	-	-	-	-
A-29738A4	-	Co-Pilot Replacement Assembly (7/8" OD Cable)	-	1	-	-	-
A-29738A5	-	Co-Pilot Replacement Assembly (7/8" OD Cable)	-	-	1	-	-
●A-52148A1	-	Co-Pilot Replacement Assembly	-	-	-	1	-
●A-33984A2	1	Co-Pilot Replacement Assembly	-	-	-	-	1
A-29739	2	Rod, co-pilot - tilt tube	1	-	-	-	-
A-29739A1	2	Rod Assembly, co-pilot - tilt tube	-	1	1	-	-
●A-52148	2	Rod, co-pilot - tilt tube (not as shown)	-	-	-	1	-
A-11-29754	3	Nut, coupler - co-pilot rod (3/4" OD)	1	-	-	-	-
A-11-31808	3	Nut, coupler - co-pilot rod (7/8" OD)	-	1	1	-	-
●A-11-52155A1	3A	Nut Assembly, friction - co-pilot rod	-	-	-	1	-
C-10-36154	4	Screw, friction nut clamping	-	-	-	1	-
●A-11-52152	5	Wing Nut, friction nut screw	-	-	-	1	-
A-23-26850	6	Bushing, nylon - coupler nut	1	1	1	-	-
A-23-29741	7	Sleeve, rubber - coupler nut	1	1	1	-	-
C-12-31809	8	Washer, coupler nut	-	1	-	-	-
A-29738A1	9	Rod Assembly, steering link	1	1	-	-	-
A-38842	9	Rod, steering link (not as shown)	-	-	1	-	-
●A-52150	9A	Rod, steering link	-	-	-	1	-
●A-23-52151	10	Bushing, steering link rod	-	-	-	1	-
C-12-20722	11	Washer, steering link rod	-	-	-	1	-
C-11-20102	12	Nut, steering link rod	-	-	-	1	-
C-25888	13	Coupler, halves - co-pilot rod to steering link rod	2	2	-	-	-
C-27827	13	Coupler, halves - co-pilot rod to steering link rod	-	-	2	-	-
C-12-20084	14	Washer, steering link rod	1	1	-	-	-
C-12-20553	14	Washer, steering link rod	-	-	1	-	-
C-12-20722	14A	Washer, steering link rod	-	-	-	1	-
C-11-25594	15	Nut, steering link rod to coupler halves	1	1	-	-	-
C-11-20509	15	Nut, steering link rod to coupler halves	-	-	1	-	-
C-11-20102	15A	Nut, steering link rod	-	-	-	1	-
A-25994	16	Pin, pivot - steering link rod to bottom cowl	1	1	-	-	-
C-23-27818	17	Spacer, pivot pin to bracket	1	1	-	-	-
A-28390	18	Bracket, pivot pin to bottom cowl	1	1	-	-	-
A-23-30079	19	Spacer, pin thru bottom cowl	1	1	-	-	-
C-12-20722	20	Washer, pivot pin	1	1	-	-	-
C-11-25594	21	Nut, pivot pin to bottom cowl	1	1	-	-	-
C-12-25909	22	Washer, pivot pin - upper	1	1	2	-	-
A-23-25907	23	Bushing, nylon - pivot pin to steering link rod	2	2	2	-	-
C-23-25915	24	Bushing, rubber - pivot pin to steering link rod	1	1	1	-	-
C-12-25908	25	Washer, pivot pin - lower	1	1	-	-	-
C-11-20361	26	Nut, pivot pin to steering link rod	1	1	-	-	-
A-23026	27	Disc, friction - clamp plate	-	-	-	-	2
C-10-26065	28	Screw, clamp plate to swivel bracket	-	-	-	-	1
C-10-21804	29	Lockwasher, clamp plate fastening screw	-	-	-	-	1

# CO-PILOT REPLACEMENT ASSEMBLY

