



# PARTS CATALOG

## KH7, MARK 15, MARK 20

### SERIAL NUMBER

MARK 20, 15, KH7, WG7 ..... ALL

# TABLE OF CONTENTS:

CARBURETOR ASSEMBLY .....	16
CLAMP AND SWIVEL BRACKET .....	38
COWLING AND FRONT COVER .....	4
CRANKCASE ASSEMBLY .....	30
CRANKSHAFT AND CENTER MAIN BEARING ASSEMBLY .....	36
CYLINDER BLOCK ASSEMBLY .....	28
DRIVE SHAFT HOUSING ASSEMBLY .....	40
FUEL TANK, PROTECTOR RIM AND COWL .....	6
GEAR HOUSING AND DRIVE SHAFT .....	46
GEAR HOUSING AND PROPELLER .....	44
MAGNETO ASSEMBLY (KH, MK) .....	8
MAGNETO ASSEMBLY(MK15) .....	12
MISCELLANEOUS PARTS/ACCESSORY .....	1
PARTS INDEX .....	50
PISTON AND CONNECTING ROD ASSEMBLY .....	34
PROPELLERS, INSIDE AND OUTSIDE STEERING .....	42
STEERING HANDLE ASSEMBLY .....	22
THROTTLE AND SHIFT MECHANISM .....	24
THROTTLE LEVER AND CHOKE ASSEMBLY .....	20
TOP COWL AND STARTER .....	2

**NOTE:** Indented description indicate that these parts are included in preceeding assembly.

**AR** = As Required

**NSS** = Not Sold Separate

**OPT** = Optional

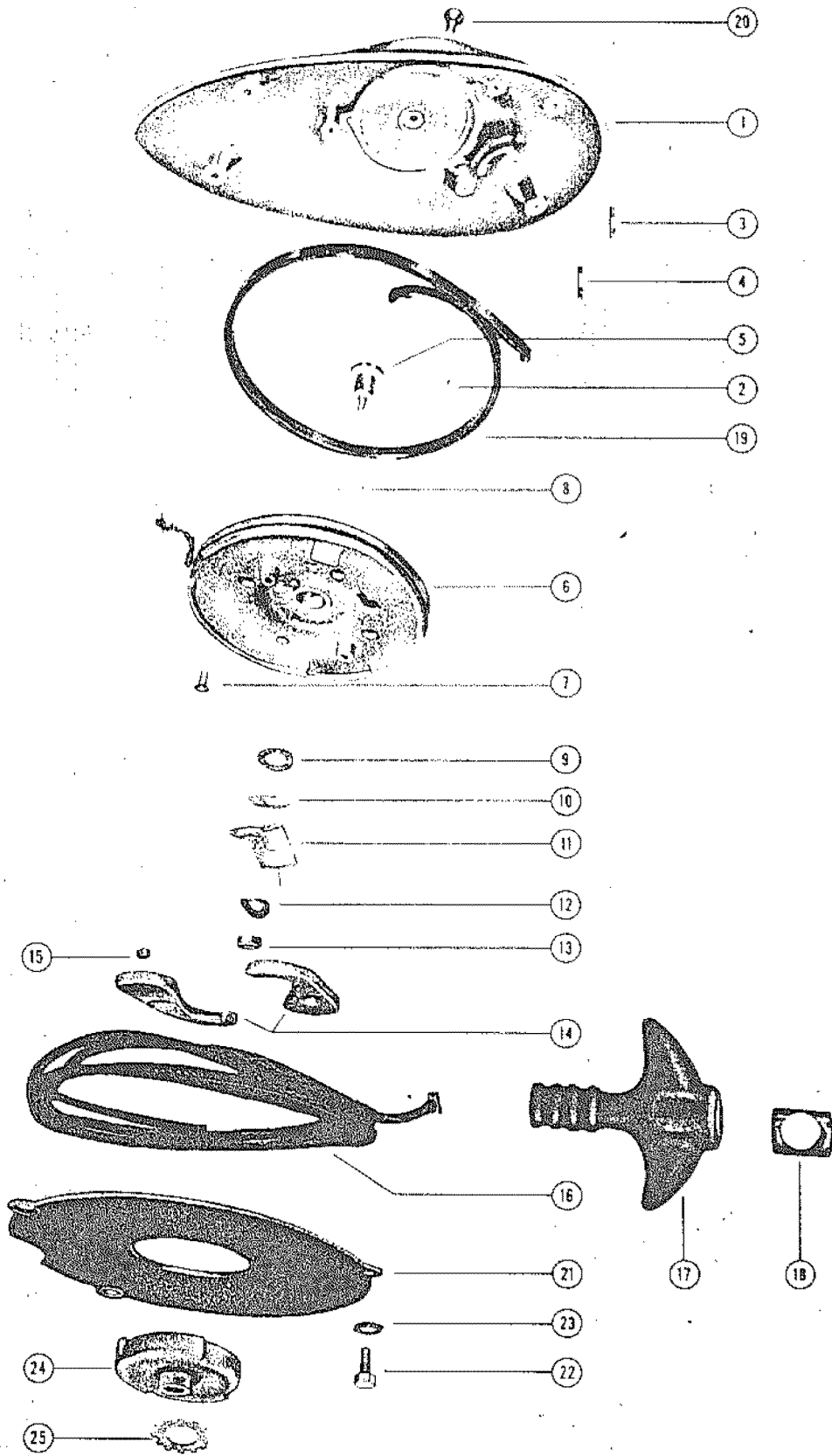
**NS** = Not Shown

**THESE PARTS BOOKS/FICHE CARD ARE COPYRIGHTED AND MAY NOT BE DISTRIBUTED OR REPRODUCED IN ANY OTHER FORMAT BY ANYONE OTHER THAN MERCURY MARINE WITHOUT THE PRIOR WRITTEN CONSENT OF MERCURY MARINE.**

## MISCELLANEOUS PARTS/ACCESSORY

REF. NO.	PART NO.	SYM.	QTY.	DESCRIPTION
-	90-26117		0	KH7, MARK 15 AND MARK 20 PARTS LIST
-	27-24146		0	GASKET SET (MOTOR OVERHAUL)
-	24011		0	FLUSHING DEVICE
-	1399-587		0	GASKET AND PACKING SET (CARBURETOR 1317-595)
-	1399-961		0	GASKET AND PACKING SET (CARBURETOR 1321-612 AND 1300-67)
-	1399-940		0	REPAIR PARTS KIT (CARBURETOR 1317-595)
-	1399-118		0	REPAIR PARTS KIT (CARBURETOR 1321-612 AND 1300-67)

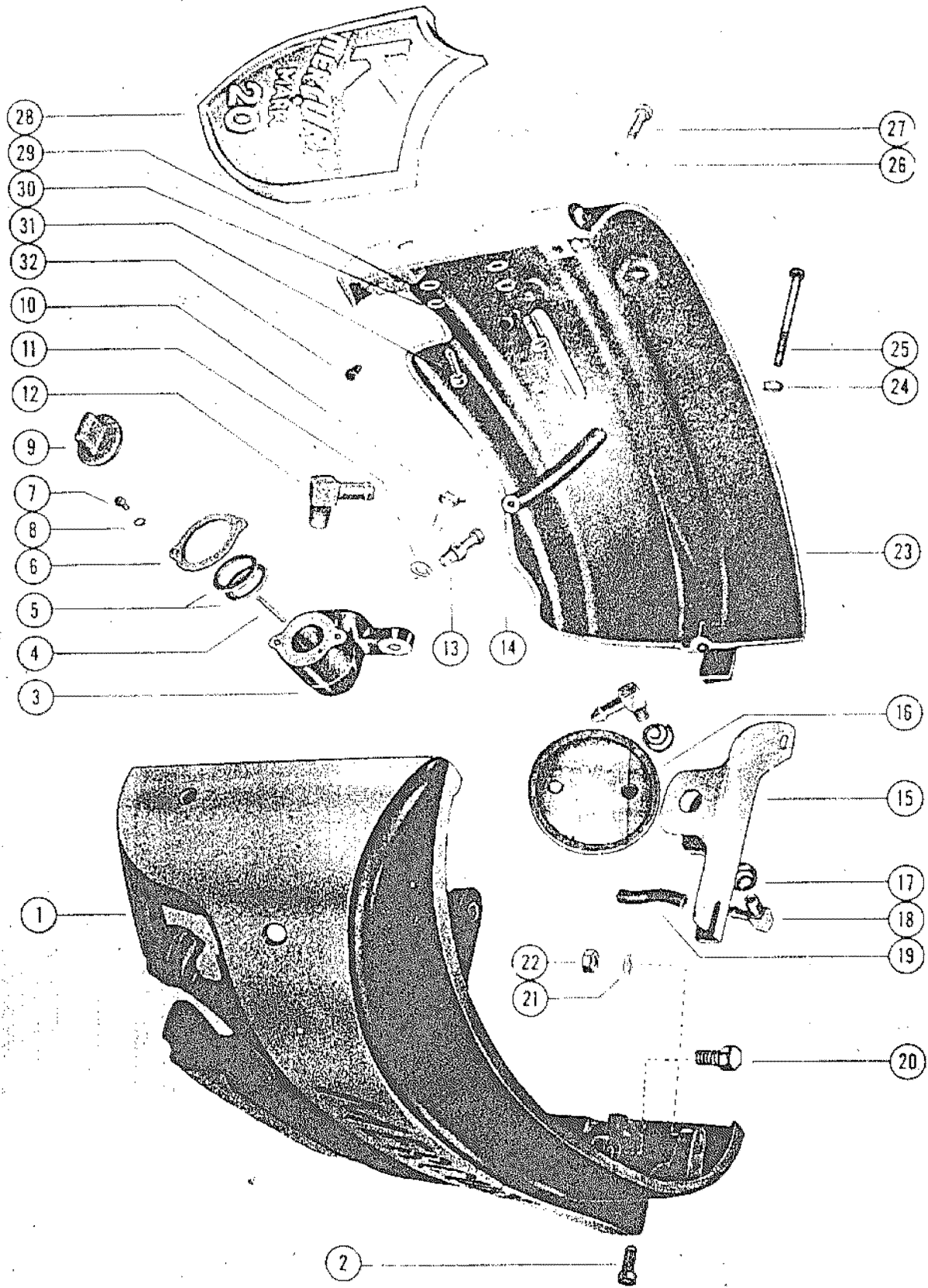
# TOP COWL AND STARTER



## TOP COWL AND STARTER

REF. NO.	PART NO.	SYM.	QTY.	DESCRIPTION
-	<b>116-344A2</b>		1,,	<b>STARTER ASSEMBLY, COMPLETE</b>
-	<b>116-344A2</b>		1,,	<b>STARTER HOUSING ASSEMBLY</b>
1	105-89A1		,1,1	TOP COWL ASSEMBLY
-	<b>17-22439</b>		1,,	<b>PIN, SPRING ANCHOR</b>
2	17-20760		1,1,1	PIN, GROOVE - SHEAVE SHAFT RETAINING
3	16-20761		,2,2	STUD, TOP COWL MOUNTING (STARBOARD SIDE)
4	16-20075		,2,2	STUD, TOP COWL MOUNTING (PORT SIDE)
5	20765		1,1,1	SHAFT, SHEAVE
6	20762A2		1,1,1	STARTER SHEAVE ASSEMBLY
-	<b>17-20564</b>		1,1,1	<b>PIN, SPRING ANCHOR</b>
-	<b>17-20764</b>		1,1,1	<b>PIN, RETAINER</b>
7	10-20774		4,4,4	SCREW, SHEAVE REINFORCING
8	13-20766		1,1,1	WASHER, WAVE - SHEAVE SHAFT
9	15-20767		1,1,1	SHIM, SHEAVE SHAFT
10	12-20768		1,1,1	WASHER, STARTER PAWL RETAINER
11	20769		1,1,1	RETAINER, STARTER PAWL
12	13-20770		1,1,1	WASHER, WAVE - PAWL RETAINER TENSION
14	20772A1		2,2,2	STARTER PAWL ASSEMBLY
15	20773		2,2,2	MAGENT, STARTER PAWL
-	<b>24-24200</b>		2,2,	<b>SPRING, STARTER PAWL</b>
16	50-22791A1		1,1,1	STARTER CABLE ASSEMBLY
17	20662		1,1,1	HANDLE, STARTER CABLE
18	20172		1,1,1	END CAP, CABLE HANDLE
19	24-20775		1,1,1	SPRING, STARTER REWIND
20	10-20778		1,1,1	SCREW, SHEAVE SHAFT
21	20777		1,1,1	PLATE, FRICTION
22	10-20776		3,3,3	SCREW, FRICTION PLATE TO HOUSING AND COWL
23	13-26992		3,3,3	LOCKWASHER, FRICTION PLATE SCREW
-	<b>24736</b>		1,,	<b>HANDLE, AUXILIARY</b>
-	<b>10-20411</b>		4,,	<b>SCREW, AUXILIARY TO HANDLE TO STARTER HOUSING</b>
-	<b>13-26996</b>		4,,	<b>LOCKWASHER, AUXILIARY HANDLE SCREW</b>
24	20631		,1,1	RATCHET, STARTER
25	13-20632		,1,1	LOCKWASHER, STARTER RATCHET
-	<b>20631</b>		1,,	<b>RATCHET, STARTER</b>
-	<b>10-22484</b>		1,,	<b>SCREW, STARTER HOUSING TO FUEL TANK (REAR)</b>
-	<b>10-24636</b>		2,,	<b>SCREW, STARTER HOUSING TO FUEL TANK (FRONT)</b>

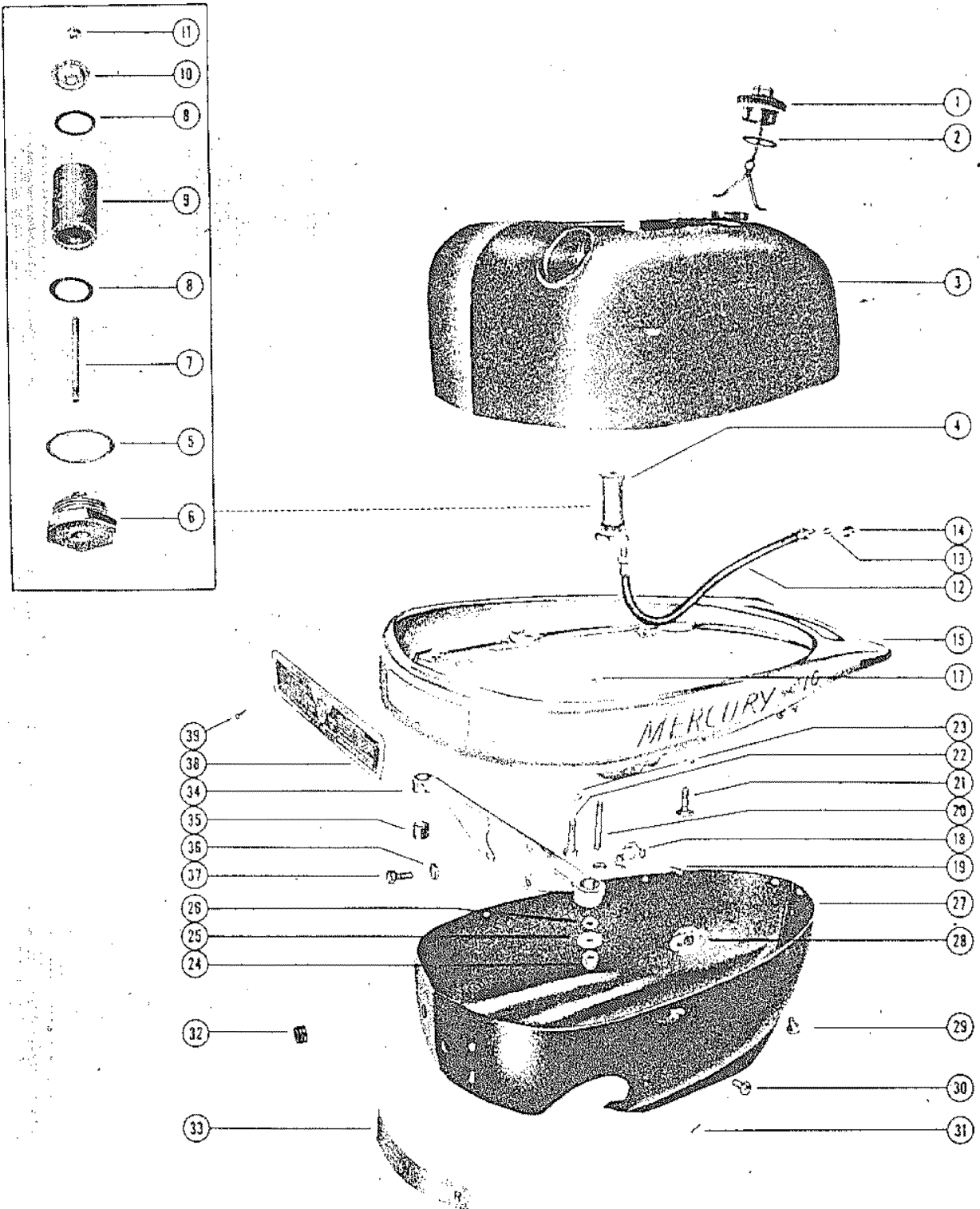
# COWLING AND FRONT COVER



## COWLING AND FRONT COVER

REF. NO.	PART NO.	SYM.	QTY.	DESCRIPTION
1	106-145A1		1,	COWL ASSEMBLY, PORT
	106-90A1		,1	COWL ASSEMBLY, PORT
2	20779		1,1	SLEEVE, COWL RETAINING (THREADED)
3	20780A1		1,1	RECEPTACLE ASSEMBLY, CONNECTOR
4	17-20375		1,1	PIN, GROOVE - CONNECTOR LOCATING
5	25-20679		2,2	"O" RING, CONNECTOR RECEPTACLE
6	20376		1,1	RETAINER, CONNECTOR
7	10-20377		2,2	SCREW, RETAINER TO RECEPTACLE
8	13-26994		2,2	LOCKWASHER, RETAINER SCREW
9	20483		1,1	PLUG, RECEPTACLE
10	10-29256		2,2	SCREW, RECEPTACLE TO PORT COWL
11	13-26993		2,2	LOCKWASHER, RECEPTACLE SCREW
12	22-20781		1,1	ELBOW, AIR LINE TO RECEPTACLE
13	22-20380		1,1	CONNECTOR, FUEL LINE TO RECEPTALCE
14	32-20576		,1	FUEL LINE, RECEPTACLE TO FILTER
-	<b>20785A1</b>		,1	<b>FUEL FILTER AND BRACKET ASSEMBLY</b>
15	20785		,1	BRACKET, FUEL FILTER
16	20786		,1	FILTER, FUEL
17	24-20787		,2	SPRING, FILTER CONNECTOR
18	22-20781		,2	ELBOW, FUEL LINE TO FILTER
19	32-20574		,1	FUEL LINE, FILTER TO CARBURETOR
-	<b>54-22976</b>		,4	<b>CLAMP, FUEL LINE</b>
-	<b>32-21611</b>		1,1	<b>FUEL LINE, RECEPTACLE TO CARBURETOR</b>
20	10-20784		3,3	SCREW, PORT COWL MOUNTING
21	12-20028		2,2	WASHER, TOP COWL TO PORT COWL STUD
-	<b>12-20583</b>		2,2	<b>WASHER, TOP COWL TO PORT COWL</b>
22	11-20361		2,2	NUT, TOP COWL TO PORT COWL STUD
23	104-87		1,1	COWL, STARBOARD
	104-88A2		1,	COWL ASSEMBLY, STARBOARD
-	<b>22122</b>		,1	<b>COVER, COWL CUT-OUT</b>
-	<b>11-22425</b>		,2	<b>NUT, SPEED - COWL CUT-OUT COVER FASTENING</b>
24	12-20722		,1	WASHER, HANDLE CLAMPING SCREW
25	10-20724		1,1	SCREW, HANDLE CLAMPING
26	12-20533		2,2	WASHER, COWL SCREW
27	10-20723		2,2	SCREW, STARBOARD COWL MOUNTING
28	23417		1,	SHIELD, FRONT COVER (NOT AS SHOWN)
	20718		,1	SHIELD, FRONT COVER
29	12-20719		2,2	WASHER, SHIELD SCREW
30	13-26996		2,2	LOCKWASHER, SHIELD SCREW
31	10-20720		2,2	SCREW, SHIELD TO STARBOARD COWL
32	20721		2,2	BUMPER, RUBBER - SHIELD

# FUEL TANK, PROTECTOR RIM AND COWL

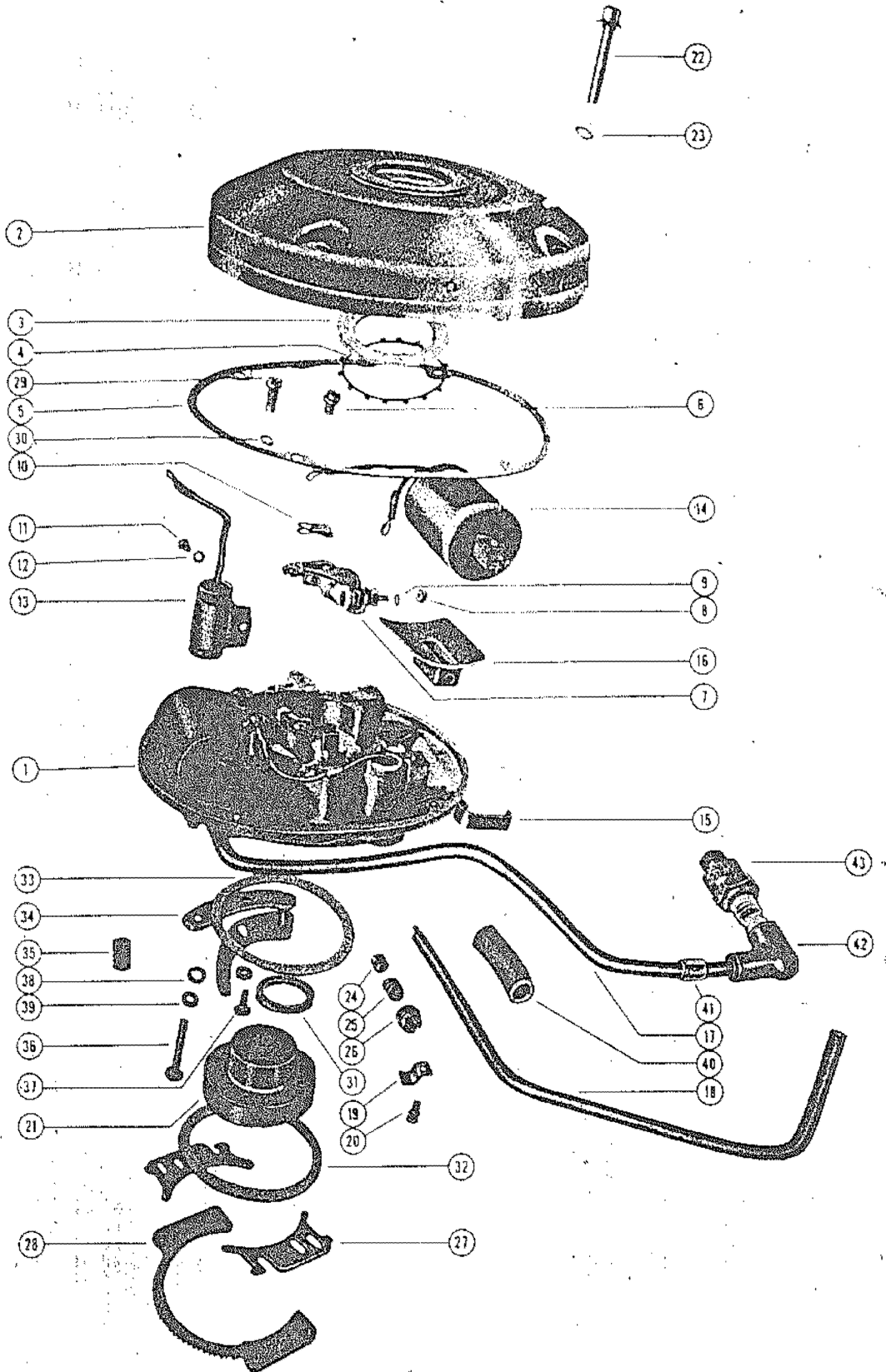




## FUEL TANK, PROTECTOR RIM AND COWL

REF. NO.	PART NO.	SYM.	QTY.	DESCRIPTION
1	36-23338A1		1	FUEL TANK CAP ASSEMBLY
2	27-23331		1	GASKET, FUEL TANK CAP
3	1216-630		1	TANK, FUEL
4	35-23342A1		1	FUEL FILTER ASEMBLY
5	27-23211		1	GASKET, FULE FILTER TO FUEL TANK
6	11-23263		1	NUT, ADAPTOR - FUEL FILTER
7	16-21451		1	STUD, FUEL FILTER
8	12-21464		2	WASHER, RUBBER
9	35-23342		1	ELEMENT, FUEL FILTER
10	21460		1	END CAP, FUEL FILTER
11	11-20190		1	NUT, FUEL FILTER STUD
12	32-23439A1		1	FUEL LINE ASSEMBLY
13	22-21685		1	SLEEVE, COMPRESSION - FUEL LINE
14	11-21113		1	NUT, COMPRESSION - FUEL LINE SLEEVE
15	23413A3		1	PROTECTOR RIM ASSEMBLY
17	10-20314		2	SCREW, DRIVE - PROTECTOR RIM
18	11-22684		6	FASTENER, SPRING UNIT
19	17-23336		12	RIVET, FASTNER TO PROTECTOR RIM
20	16-20761		4	>STUD, PROTECTOR RIM MOUNTING
21	10-21625		4	SCREW, PROTECTOR RIM TO FUEL TANK (CENTER AND REAR LUGS)
22	10-20653		2	SCREW, PROTECTOR RIM TO FUEL TANK (FRONT LUGS)
23	13-26992		6	LOCKWASHER, PROTECTOR RIM SCREWS
24	11-20361		4	NUT, PROTECTOR RIM MOUNTING STUD
25	12-20346		4	WASHER, PROTECTOR RIM MOUNTING STUD
26	12-20028		8	WASHER, PROTECTOR RIM MOUNTING STUD
27	139-643A1		1	COWL ASSEMBLY
28	11-22684		1	FASTENER, SPRING UNIT
-	<b>17-22685</b>		<b>2</b>	<b>RIVET, FASTENER TO COWL</b>
29	16-23334		1	STUD, COWL MOUNTING (1/2")
30	16-23335		6	STUD, COWL MOUNTING (11/16")
31	17-23333		7	PIN, CROSS - COWL MOUNTING STUDS
32	25-22683		1	GROMMET, CHOKE ROD
33	37-23478		1	DECAL, FORWARD - NUETRAL - REVERSE
-	<b>21870A3</b>		<b>1</b>	<b>FUEL TANK BRACKET ASSEMBLY, COMPLETE</b>
34	21870A1		1	FUEL TANK BRACKET ASSEMBLY
35	23-26348		2	BUSHING, FUEL TANK BRACKET
36	13-26992		4	LOCKWASHER, FUEL TANK BRACKET SCREW
37	10-21548		4	SCREW, FUEL TANK BRACKET TO CRANKCASE
38	38-23483		1	SERIAL PLATE
39	10-20314		4	SCREW, DRIVE - SERIAL PLATE MOUNTING

# MAGNETO ASSEMBLY (KH, MK)

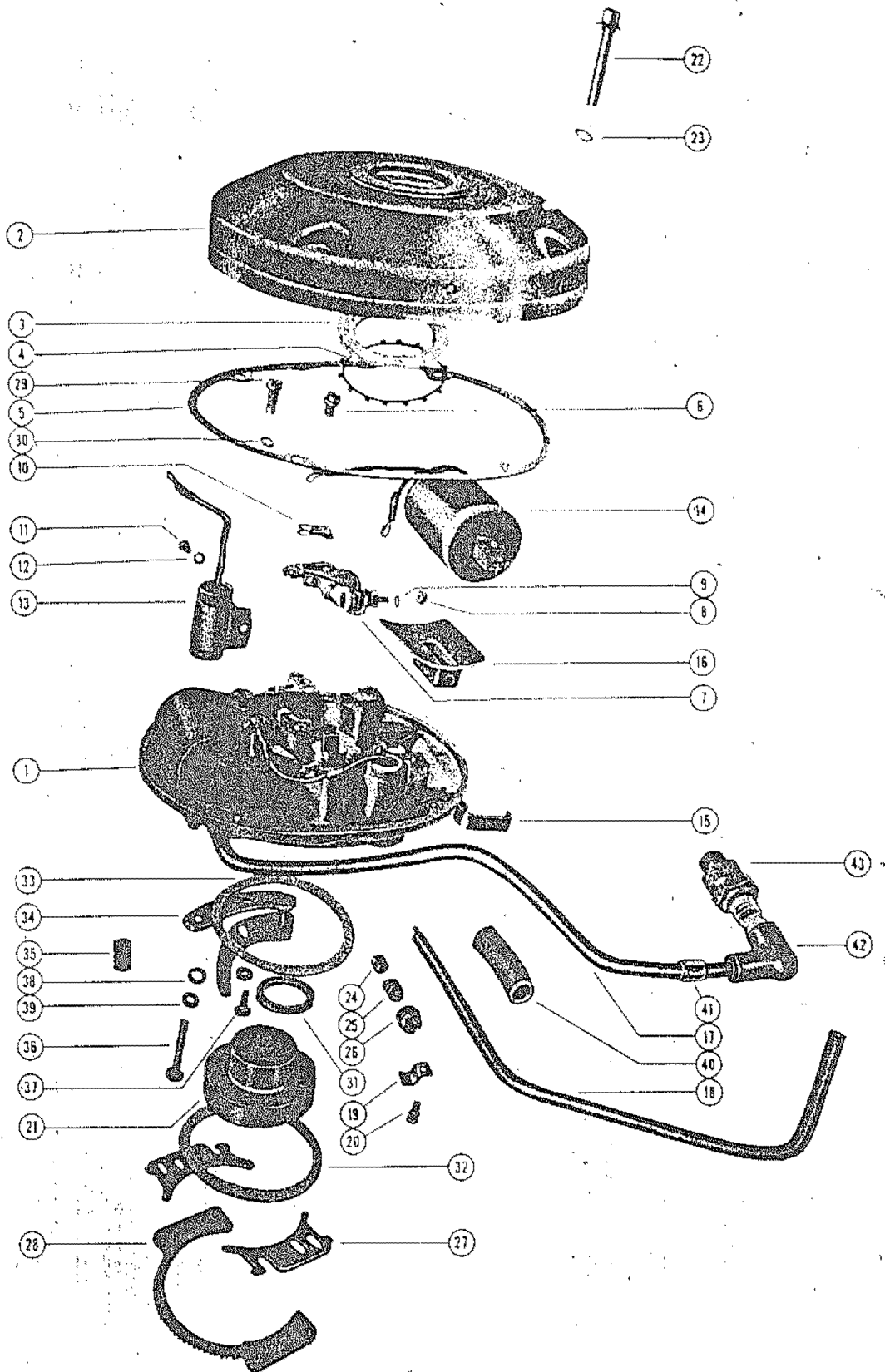


## MAGNETO ASSEMBLY (KH, MK)

REF. NO.	PART NO.	SYM.	QTY.	DESCRIPTION
-	<b>315-764A1</b>		1,	<b>MAGNETO ASSEMBLY</b>
-	<b>301-73</b>		,1	<b>MAGNETO ASSEMBLY</b>
-	<b>20598</b>		1,1	<b>STATOR PLATE ASSEMBLY</b>
1	399-751		1,	PLATE, STATOR
	399-119		,1	PLATE, STATOR
2	399-131		1,1	COVER, MAGNETO
3	12-20885		1,1	WASHER, FELT
4	399-132		1,1	RING, LOCK
5	27-20600		1,1	GASKET, MAGNETO COVER
6	10-20879		2,2	SCREW AND LOCKWASHER, BREAKER MOUNTING
-	<b>10-20880</b>		<b>2,2</b>	<b>SCREW AND LOCKWASHER, BREAKER ADJUSTING</b>
7	399-121A1		2,2	BREAKER ASSEMBLY
8	11-20881		2,2	NUT, TERMINAL
9	12-20878		2,2	WASHER, TERMINAL
10	399-124		2,2	CLIP, WIRE SUPPORT
11	10-20883		2,2	SCREW, CONDENSER ATTACHING
12	13-20882		2,2	LOCKWASHER, CONDENSER SCREW
13	399-123		2,2	CONDENSER
14	399-125		2,2	COIL, IGNITION
15	399-126		4,4	CLIP, COIL
16	399-129		2,2	INSULATOR, HIGH TENSION LEAD
17	399-128		1,1	LEAD, HIGH TENSION (LONG)
18	399-127		1,1	LEAD, HIGH TENSION (SHORT)
19	399-130		2,2	CLAMP, HIGH TENSION LEAD
20	10-20884		2,2	SCREW AND LOCKWASHER, LEAD CLAMP
21	20599		1,1	ROTOR
22	10-20602		4,4	SCREW AND LOCKWASHER, COVER TO STATOR PLATE
23	12-20603		4,4	WASHER, COVER SCREW
-	<b>201-77</b>		<b>1,1</b>	<b>FLYWHEEL</b>
-	<b>28-20625</b>		<b>1,1</b>	<b>KEY, FLYWHEEL</b>
-	<b>24069</b>		<b>1,1</b>	<b>DAMPENER, FLYWHEEL</b>
-	<b>10-24070</b>		<b>3,3</b>	<b>SCREW, FLYWHEEL DAMPENER</b>
24	20604		2,2	PLUG, MAGNETO PILOT FRICTION
25	24-20609		2,2	SPRING, FRICTION PLUG
26	10-20608		2,2	SCREW, SPRING TENSION ADJUSTING
-	<b>15-20610</b>		<b>,AR</b>	<b>SHIM, MAGNETO HOLD DOWN SPRING (.005-20-25)</b>
27	24-20569		2,2	SPRING, MAGNETO HOLD DOWN
28	43-20611		1,1	GEAR, SECTOR - MAGNETO DRIVE
29	10-20293		4,4	SCREW, SECTOR GEAR MOUNTING
30	13-26996		4,4	LOCKWASHER, SECTOR GEAR SCREW
31	12-20628		1,1	WASHER, RUBBER - ROTOR TO FLYWHEEL
32	15-20627		1,	SHIM, HOLD DOWN SPRING TO CRANKCASE

*CONTINUED ON NEXT PAGE* ➡

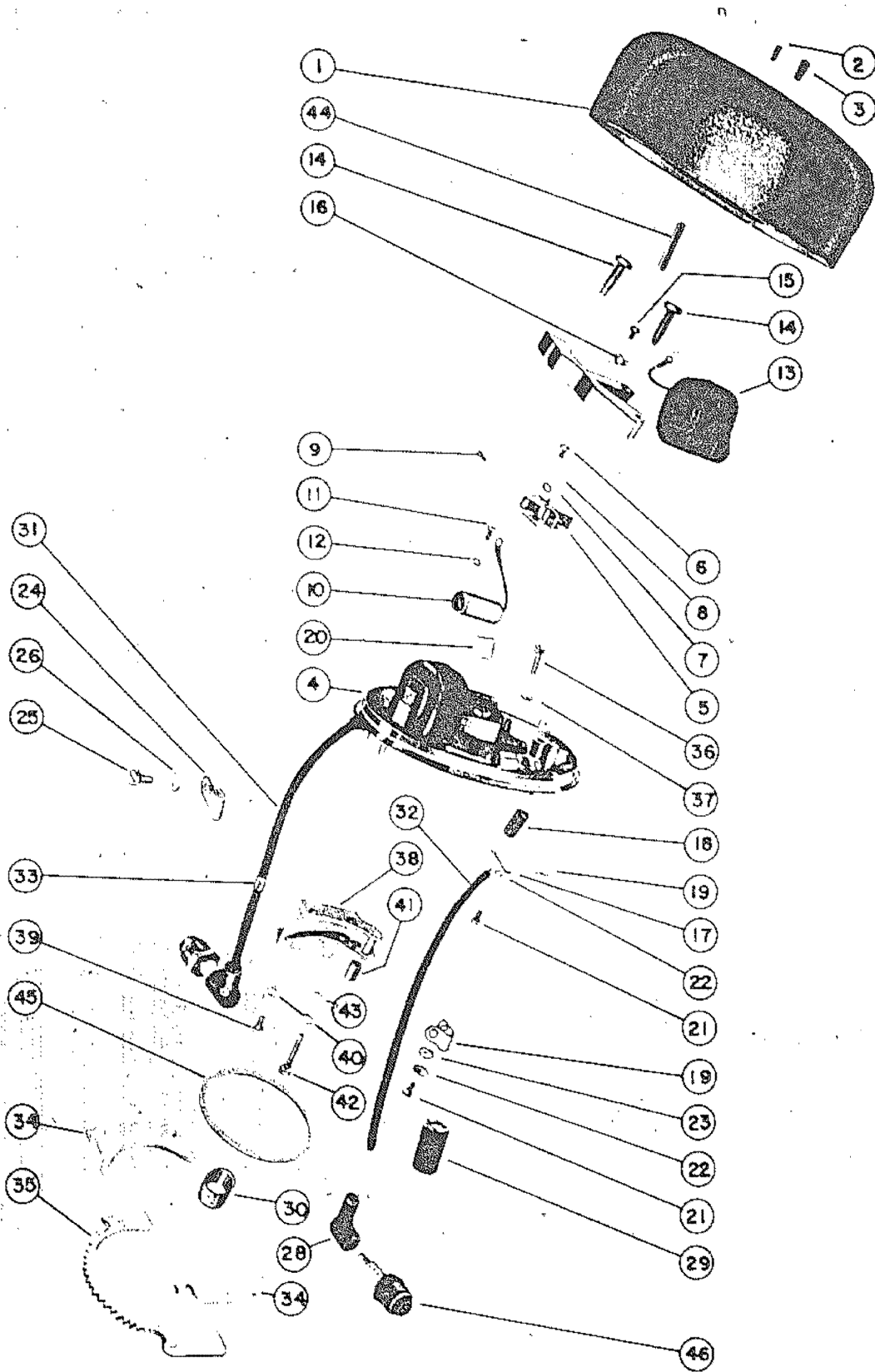
# MAGNETO ASSEMBLY (KH, MK)



## MAGNETO ASSEMBLY (KH, MK)

REF. NO.	PART NO.	SYM.	QTY.	DESCRIPTION
-	<b>15-23097</b>		AR,AR	<b>SHIM, STATOR PLATE TO CRANKCASE (.005-10)</b>
33	15-20626		1,1	SHIM, STATOR PLATE TO CRANKCASE
34	20615A1		1,1	THROTTLE CONTROL CAM ASSEMBLY
35	23-20618		1,1	SPACER, THROTTLE CONTROL CAM
36	10-20619		1,1	SCREW, CONTROL CAM TO MAGNETO (LONG)
37	10-20616		1,1	SCREW, CONTROL CAM TO MAGNETO (SHORT)
38	12-20028		1,1	WASHER, CONTROL CAM SCREW (LONG)
39	13-26991		2,2	LOCKWASHER, CONTROL CAM SCREWS
40	23-20622		1,1	BUSHING, RUBBER - HIGH TENSION LEADS
41	20623		1,1	MARKER, HIGH TENSION LEAD (TOP)
-	<b>24-22063</b>		,1	<b>SPRING, HIGH TENSION LEAD PROTECTOR</b>
-	<b>12-20603</b>		,1	<b>WASHER, PROCTECTOR SPRING</b>
42	20119		2,2	PROTECTOR, SPARK PLUG
43	33-20127		2,2	SPRAK PLUG

# MAGNETO ASSEMBLY(MK15)

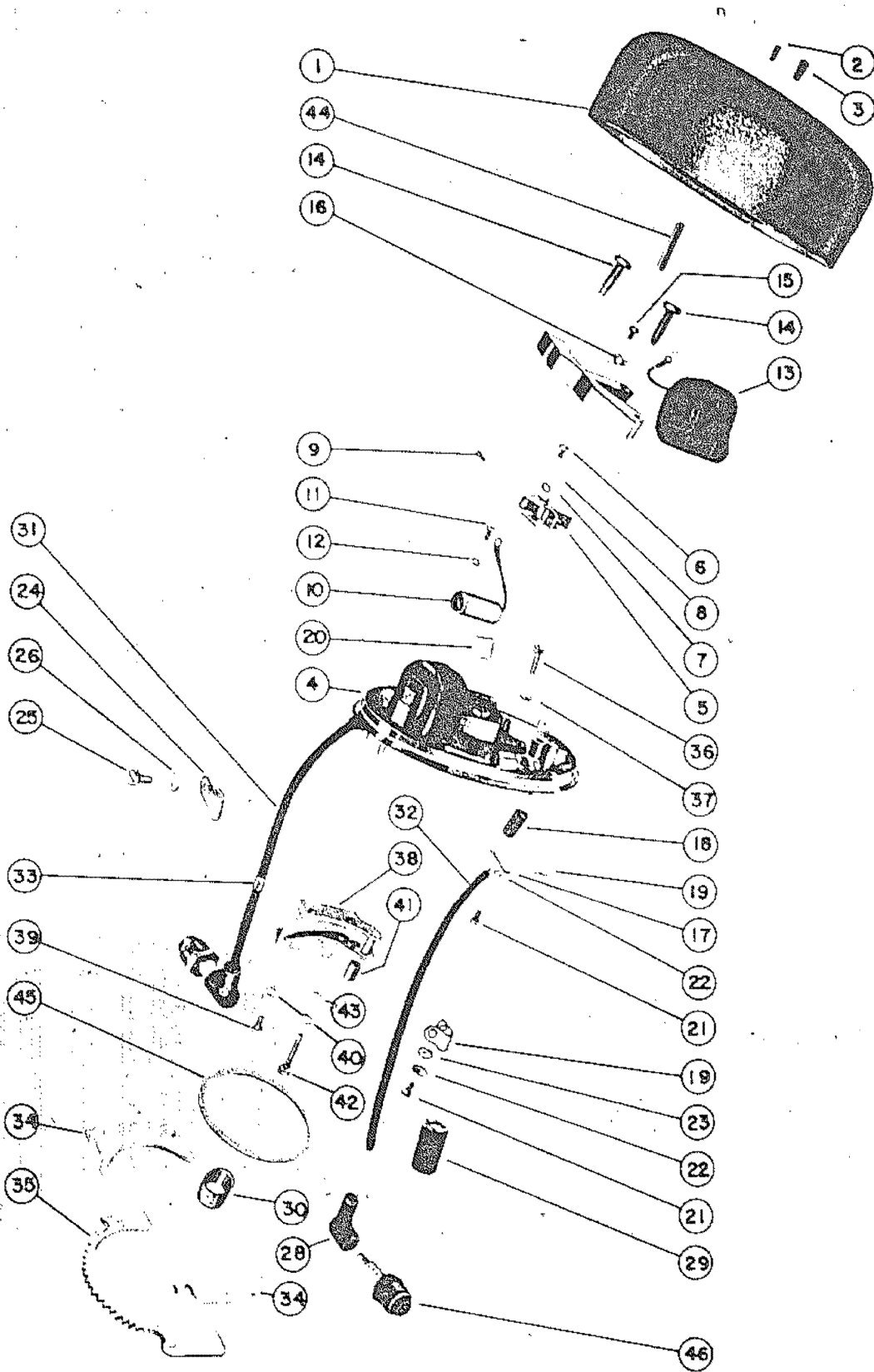


## MAGNETO ASSEMBLY(MK15)

REF. NO.	PART NO.	SYM.	QTY.	DESCRIPTION
-	<b>316-771</b>		<b>1</b>	<b>MAGNETO ASSEMBLY</b>
1	398-739		1	FLYWHEEL
2	24187		3	PLUG, FLYWHEEL (SMALL)
3	24188		3	PLUG, FLYWHEEL (LARGE)
-	<b>398-770A1</b>		<b>1</b>	<b>STATOR PLATE ASSEMBLY, COMPLETE</b>
4	398-770		1	STATOR PLATE AND CORE ASSEMBLY
5	398-174		2	BREAKER POINT ASSEMBLY
6	10-21133		2	SCREW, FIXED CONTACT
7	13-21134		2	LOCKWASHER, FIXED CONTACT SCREW
8	12-21135		2	WASHER, FIXED CONTACT SCREW
9	10-23976		2	SCREW, BREAKER POINT CONNECTION
-	<b>398-733</b>		<b>2</b>	<b>INSULATOR, BREAKER POINT CONNECTION SCREW</b>
10	398-713		2	CONDENSER
11	10-21133		2	SCREW, CONDENSER MOUNTING
12	13-21134		2	LOCKWASHER, CONDENSER SCREW
13	398-716		2	COIL, IGNITION
14	10-23556		4	SCREW, CORE TO STATOR PLATE
15	10-21130		2	SCREW, GROUND TERMINAL
16	398-732		2	CLIP, PRIMARY LEAD
17	398-720		2	CLAMP, LEAD WIRE
18	32-21137		2	TUBE, LEAD WIRE
19	398-182		2	CLAMP, PLASTIC - LEAD WIRE
20	398-723		2	WICK, FELT
21	10-21139		2	SCREW, LEAD WIRE CLAMP
22	13-21144		3	LOCKWASHER, LEAD WIRE CLAMP SCREW
23	12-20670		1	WASHER, LEAD WIRE CLAMP SCREW
24	54-21730		1	CLIP, LEAD WIRE
25	10-21140		1	SCREW, LEAD WIRE CLIP
26	12-20028		1	WASHER, LEAD WIRE CLIP SCREW
28	20119		2	PROTECTOR, SPARK PLUG
29	23-20622		1	BUSHING, LEAD WIRES
30	398-241		1	CAM
31	398-178		1	WIRE, LEAD (TOP)
32	398-177		1	WIRE, LEAD (BOTTOM)
33	20623		1	MARKER, LEAD WIRE (TOP)
34	24-20569		2	APRING, MAGNETO HOLD DOWN
35	43-20611		1	GEAR, SECTOR
36	10-25157		4	SCREW, SECTOR GEAR TO STATOR PLATE
37	13-26996		4	LOCKWASHER, SECTOR GEAR SCREW
38	20615A1		1	THROTTLE CONTROL CAM ASSEMBLY
39	10-20616		1	SCREW, CONTROL CAM TO MAGNETO (SHORT)
40	13-26991		2	LOCKWASHER, CONTROL CAM SCREWS
41	23-20618		1	SPACER, THROTTLE CONTROL CAM

CONTINUED ON NEXT PAGE ➡

# MAGNETO ASSEMBLY(MK15)

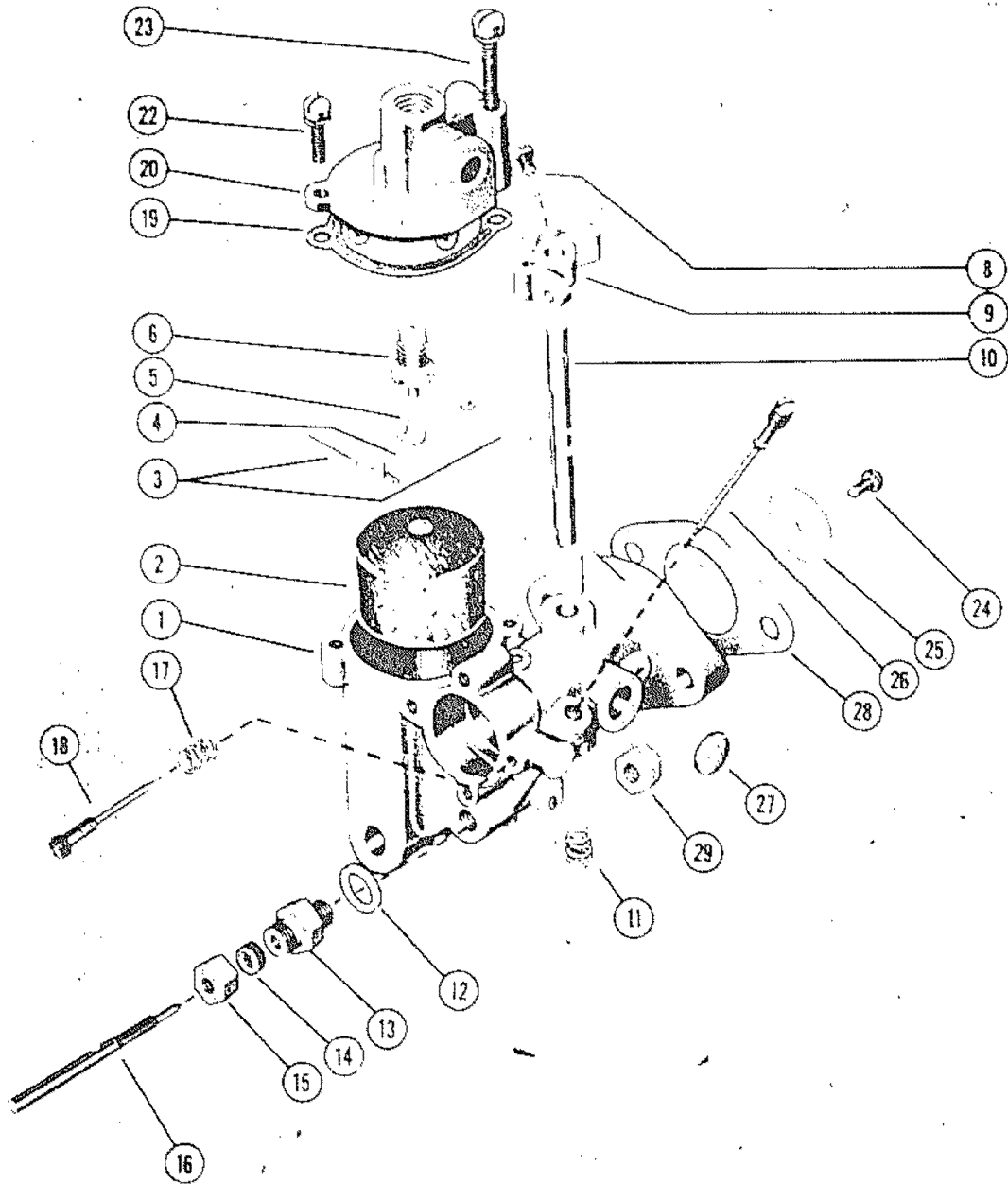




## MAGNETO ASSEMBLY(MK15)

REF. NO.	PART NO.	SYM.	QTY.	DESCRIPTION
42	10-20619		1	SCREW, CONTROL CAM TO MAGNETO (LONG)
43	12-20028		1	WASHER, CONTROL CAM SCREW
44	28-21614		1	KEY, FLYWHEEL
45	15-20626		1	SHIM, STATOR PLATE TO CRANKCASE
-	<b>15-23097</b>		<b>AR</b>	<b>SHIM, STATOR PLATE (.005-10)</b>
46	33-22805		2	SPARK PLUG

# CARBURETOR ASSEMBLY

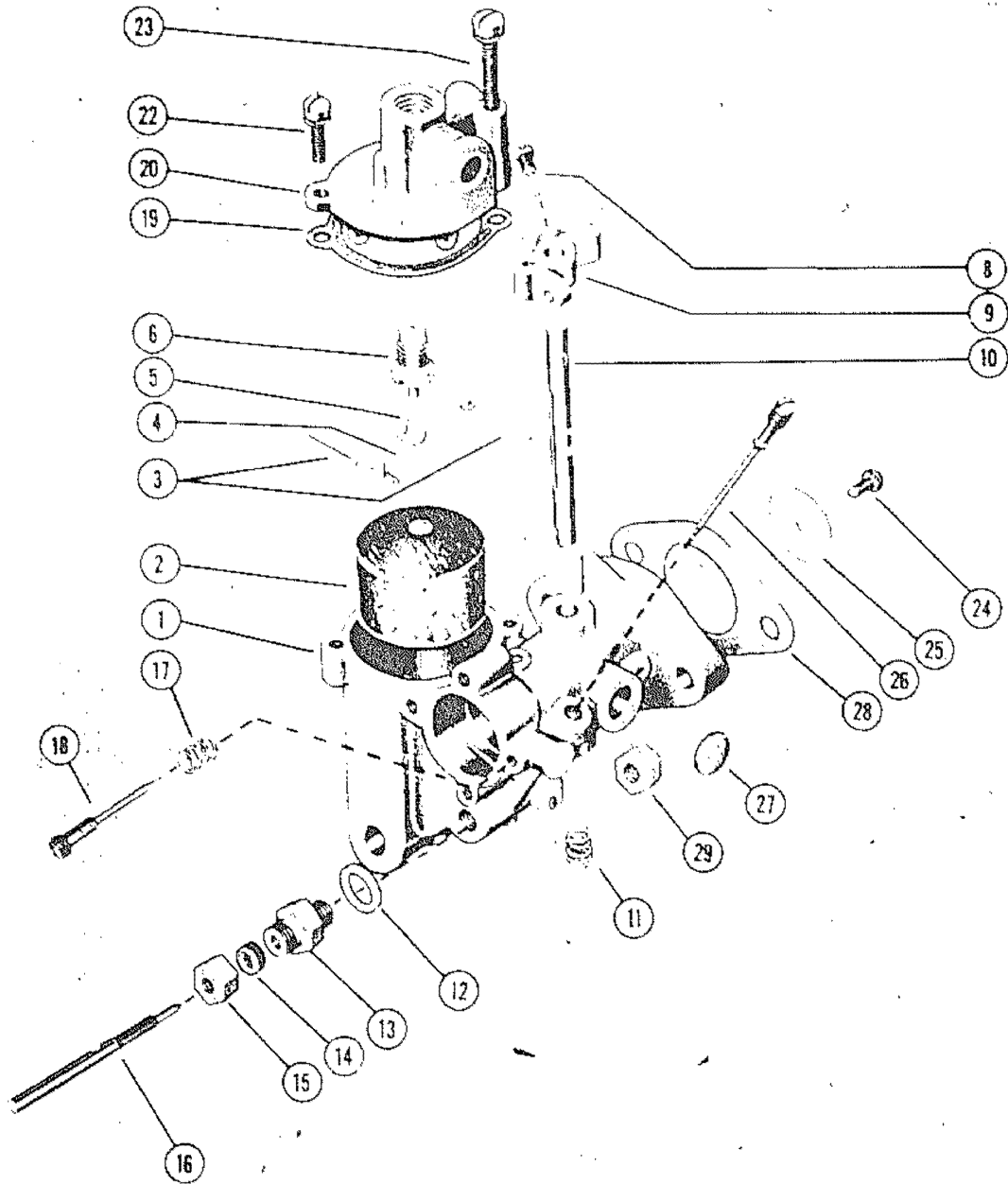


# CARBURETOR ASSEMBLY

REF. NO.	PART NO.	SYM.	QTY.	DESCRIPTION
1	1317-595		1,,	CARBURETOR ASSEMBLY, COMPLETE
	1312-612		,1,	CARBURETOR ASSEMBLY, COMPLETE
	1300-67		,,1	CARBURETOR ASSEMBLY, COMPLETE
2	1399-570		1,,	FLOAT
-	<b>18-21579</b>		<b>2,,</b>	<b>COTTER PIN, FLOAT RETAINING</b>
	1399-110A1		,1,1	FLOAT ASSEMBLY
3	17-20853		,2,2	PIN, FLOAT LEVER PINION
4	1399-102		,1,1	LEVER, FLOAT (LOWER)
5	1399-101		,1,1	LEVER, FLOAT (UPPER)
6	1399-605		1,,	INLET NEEDLE AND SEAT
-	<b>27-23284</b>		<b>1,,</b>	<b>GASKET, INLET NEEDLE AND SEAT</b>
-	<b>10-23285</b>		<b>1,,</b>	<b>SCREW, INLET NEEDLE AND SEAT CHANNEL PLUG</b>
-	<b>27-23284</b>		<b>1,,</b>	<b>GASKET, CHANNEL PLUG SCREW</b>
	1399-1138		,1,1	INLET NEEDLE, SEAT AND GASKET
-	<b>27-20851</b>		<b>,1,1</b>	<b>GASKET, INELT SEAT</b>
8	10-20847		1,1,1	SCREW, THROTTLE STOP LEVER
9	1399-97		1,1,1	LEVER, THROTTLE STOP
10	1399-531		1,,	SHAFT, THROTTLE
	1399-112		,1,1	SHAFT, THROTTLE
11	24-23191		1,,	SPRING, THROTTLE SHAFT RETURN
	24-20869		,1,1	SPRING, THROTTLE SHAFT RETURN
12	27-20848		1,1,1	GASKET, MAIN ADJUSTMENT SCREW GLAND
13	1399-94		1,1,1	GLAND, MAIN ADJUSTMENT SCREW
14	1399-108		1,1,1	PACKING, MAIN ADJUSTMENT SCREW
15	11-20849		1,1,1	NUT, MAIN ADJUSTMENT SCREW
16	1399-604		1,,	SCREW, MAIN ADJUSTMENT
	1399-113		,1,1	SCREW, MAIN ADJUSTMENT
17	24-20856		1,1,1	SPRING, IDLE ADJUSTMENT SCREW
18	1399-619		1,1,1	SCREW, IDLE ADJUSTMENT
19	1399-99		1,1,1	GASKET, FLOAT BOWL COVER
20	1399-585		1,,	COVER, FLOAT BOWL
	1399-927		,1,1	COVER, FLOAT BOWL
-	<b>1399-215</b>		<b>,1,1</b>	<b>SCREEN, INLET CONNECTION</b>
22	10-20854		1,1,1	SCREW, FLOAT BOWL COVER (SHORT)
23	10-20857		,1,1	SCREW, FLOAT BOWL COVER (LONG)
24	10-21471		1,,	SCREW AND LOCKWASHER, THROTTLE SHUTTER
	10-20858		,1,1	SCREW AND LOCKWASHER, THROTTLE SHUTTER
25	1399-107		1,,1	SHUTTER, THROTTLE
	1399-573		,1,	SHUTTER, THROTTLE
26	1399-572		1,,	TUBE, BY-PASS
	1399-96		,1,1	TUBE, BY-PASS
27	19-20011		1,1,1	WELCH PLUG, BODY CHANNEL
-	<b>10-20870</b>		<b>,1,1</b>	<b>SCREW, PLUG - BODY CHANNEL</b>

CONTINUED ON NEXT PAGE ➡

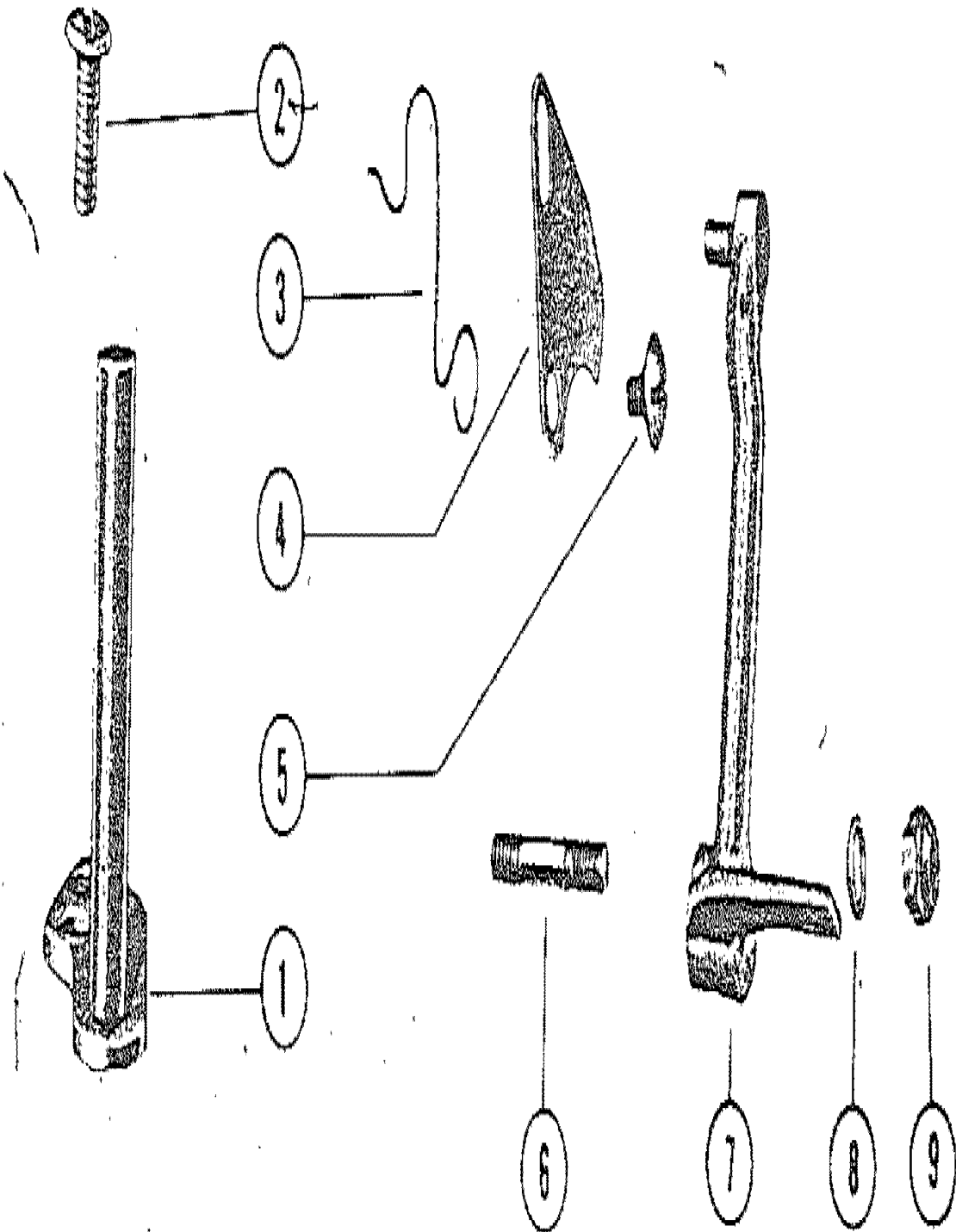
# CARBURETOR ASSEMBLY



## CARBURETOR ASSEMBLY

REF. NO.	PART NO.	SYM.	QTY.	DESCRIPTION
-	1399-95		2,,	LEAD SHOT, BODY CHANNEL
-	22-20781		,1,1	ELBOW, FULE LINE TO CARBURETOR
-	22-20380		,,1	CONNECTOR, FULE LINT TO CARBURETOR
28	27-20183		1,1,1	GASKET, CARBURETOR FLANGE
29	11-20184		2,2,2	NUT, CARBURETOR MOUNTING STUD
-	20-23277A1		1,,	FUEL SHUT-OFF VALVE ASSEMBLY
-	12-23280		1,,	WASHER, FULE SHUT-OFF VALVE PACKING GLAND
-	23281		1,,	PACKING, FUEL SHUT-OFF VALVE
-	11-23282		1,,	NUT, SHUT-OFF VALVE PACKING GLAND
-	17-20685		1,,	PIN, GROOVE - SHUT-OFF VALVE KNOB RETAINING
-	1399-587		1,,	GASKET AND PACKING SEAT (1317-595)
-	1399-961		,1,1	GASKET AND PACKING SEAT (1321-612 & 1300-67)
-	1399-940		1,,	REPAIR PARTS KIT (1317-595(
-	1399-118		,1,1	REPAIR PARTS KIT (1321-612 & 1300-67)

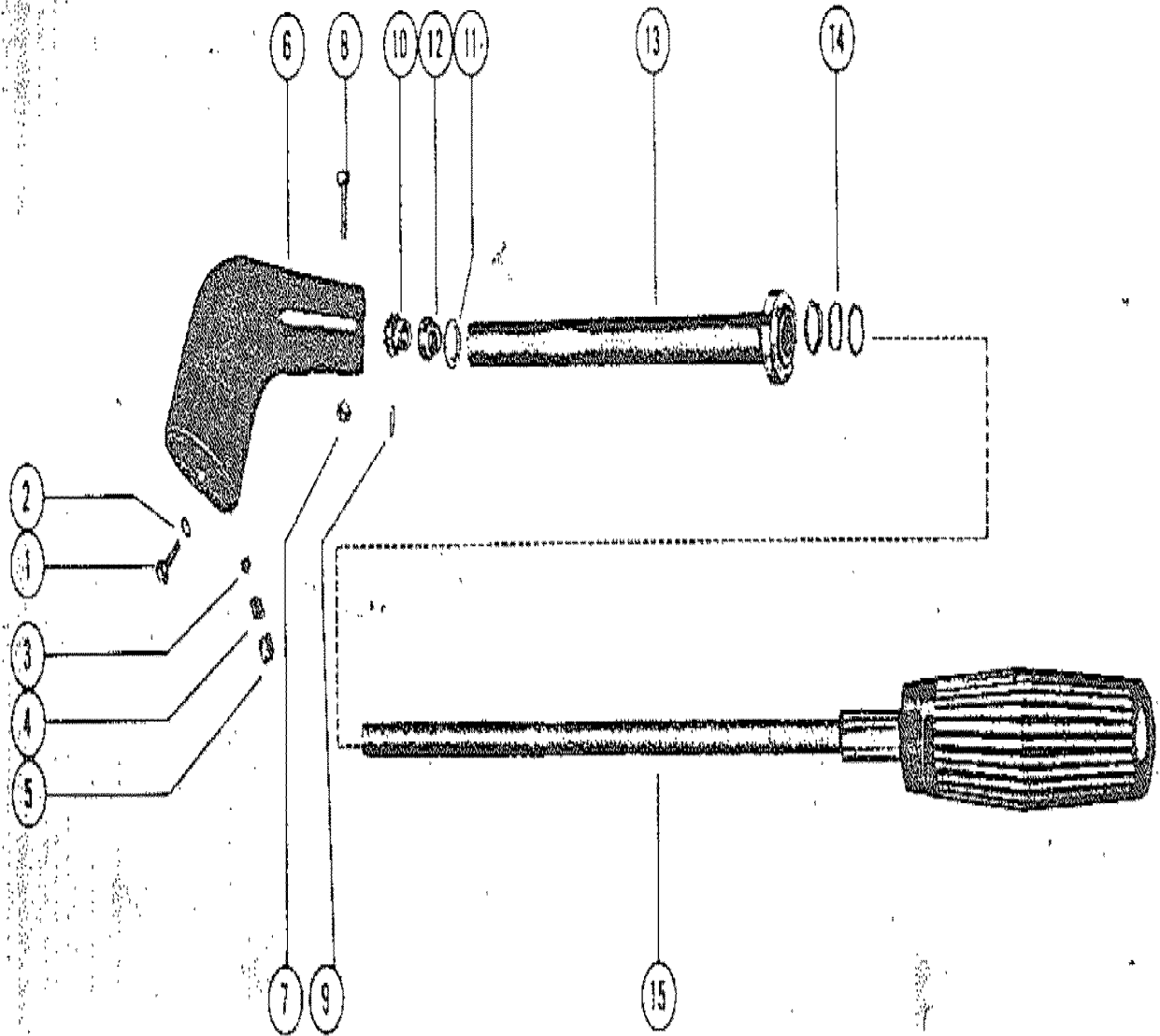
# THROTTLE LEVER AND CHOKE ASSEMBLY



## THROTTLE LEVER AND CHOKE ASSEMBLY

REF. NO.	PART NO.	SYM.	QTY.	DESCRIPTION
1	17-20588A1		1,1,1	THROTTLE LEVER ASSEMBLY
2	10-20597		1,1,1	SCREW, THROTTLE LEVER TO CARBURETOR
-	<b>20178A1</b>		<b>1,,</b>	<b>CHOKE LEVER ASSEMBLY</b>
3	24-20579		1,1,1	SPRING, CHOKE SHUTTER
4	20173		1,1,1	SHUTTER< CHOKE
5	10-20578		1,1,1	SCREW, CHOKE SHUTTER
-	<b>22454</b>		<b>1,,</b>	<b>STUD, CHOKE LEVER</b>
-	<b>13-26995</b>		<b>1,,</b>	<b>LOCKWASHER, CHOKE LEVER STUD</b>
-	<b>18-20180</b>		<b>1,,</b>	<b>COTTER PIN, CHOKE ROD RETAINING</b>
-	<b>22451</b>		<b>1,,</b>	<b>ROD, CHOKE</b>
-	<b>23298</b>		<b>1,,</b>	<b>KNOB, CHOKE ROD</b>
-	<b>17-20648</b>		<b>1,,</b>	<b>PIN, CHOKE ROD TO CHOKE LEVER</b>
6	16-20581		,1,1	STUD, CHOKE LEVER
7	20582		,1,1	LEVER, CHOKE
8	12-20583		,1,1	WASHER, CHOKE LEVER STUD
9	11-20586		,1,1	NUT, CHOKE LEVER STUD

# STEERING HANDLE ASSEMBLY

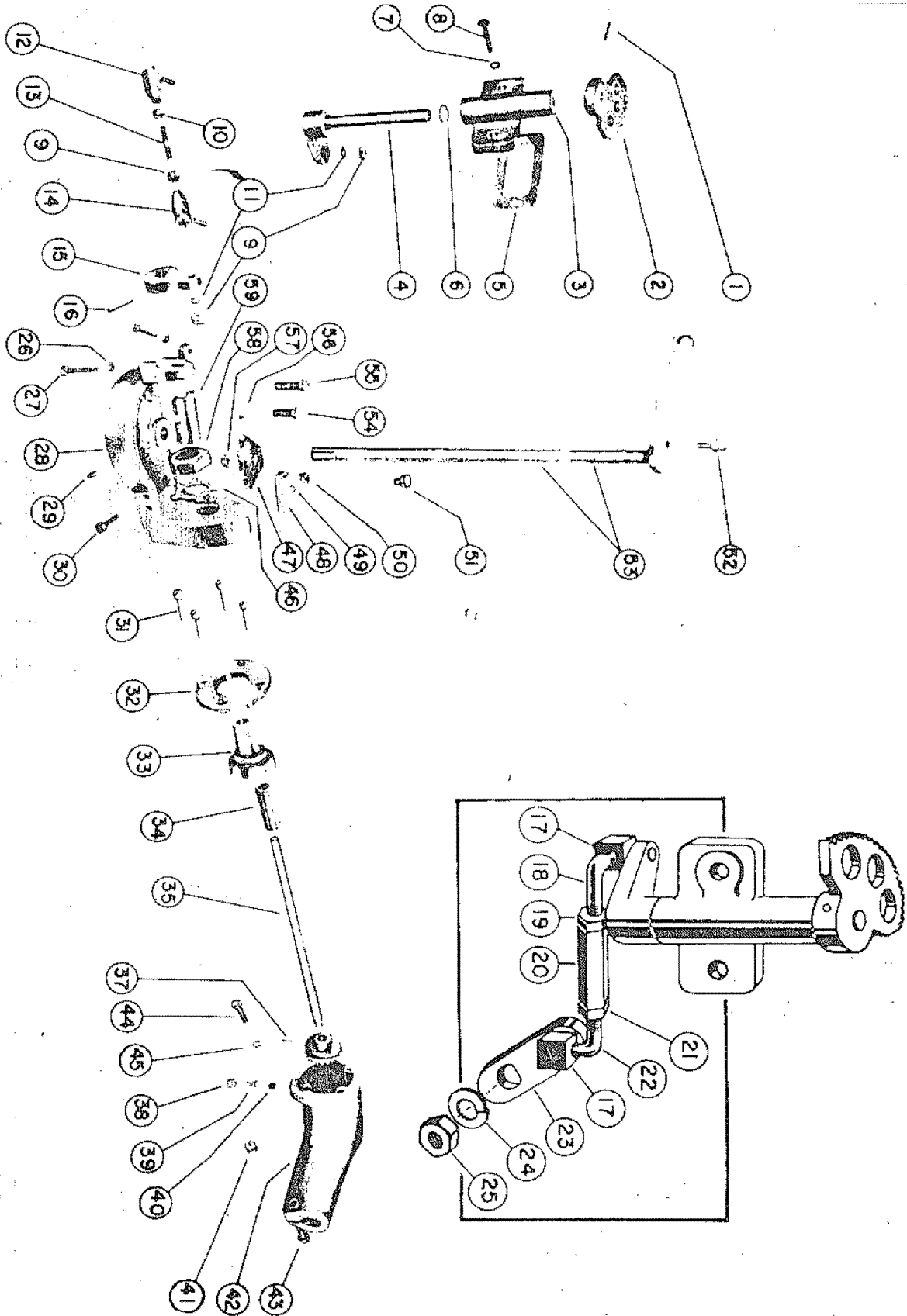




## STEERING HANDLE ASSEMBLY

REF. NO.	PART NO.	SYM.	QTY.	DESCRIPTION
1	10-20031		1,1,1	SCREW, STEERING HANDLE LOCATION
2	13-26992		1,1,1	LOCKWASHER, STEERING HANDLE LOCATING SCREW
3	20737		1,1,1	PLUG, FRICTION
4	24-20609		1,1,1	SPRING, FRICTION PLUG
5	10-20608		1,1,1	SCREW, FRICTION PLUG
6	21648		1,,	ELBOW, STEERING HANDLE
	20735		,1,1	ELBOW, STEERING HANDLE
7	11-20361		1,1,1	NUT, STEERING HANDLE CLAMP SCREW
8	10-20736		1,1,1	SCREW, STEERING HANDLE CLAMP
-	<b>20591A2</b>		<b>1,1,1</b>	<b>STEERING HANDLE ASSEMBLY</b>
9	17-20728		1,1,1	PIN, GROOVE - PINION GEAR
10	43-23221		1,1,1	GEAR, PINION - STEERING HANDLE SHAFT
11	15-20729		AR,AR,AR	SHIM, STEEL (.010)
-	<b>23502A1</b>		<b>1,,</b>	<b>STEERING HANDLE TUBE ASSEMBLY (12 1/2" LONG)</b>
-	<b>20731A1</b>		<b>1,1,1</b>	<b>STEERING HANDLE TUBE ASSEMBLY (10 1/2" LONG)</b>
12	23-20733		1,1,1	BUSHING, STEERING HANDLE TUBE
13	20731		1,1,1	TUBE, STEERING HANDLE (10 1/2" LONG)
-	<b>20732</b>		<b>1,1,1</b>	<b>RING, POINTER - STEERING HANDLE TUBE</b>
14	13-20730		1,1,1	WASHER, WAVE
15	20591A6		1,,	HANDLE GRIP AND SHAFT ASSEMBLY (18 1/2" LONG)
	20591A1		1,1,1	HANDLE GRIP AND SHAFT ASSEMBLY (16 1/2" LONG)
-	<b>17-20728</b>		<b>1,1,1</b>	<b>PIN, GROOVE - STEERING HANDLE SHAFT</b>

# THROTTLE AND SHIFT MECHANISM

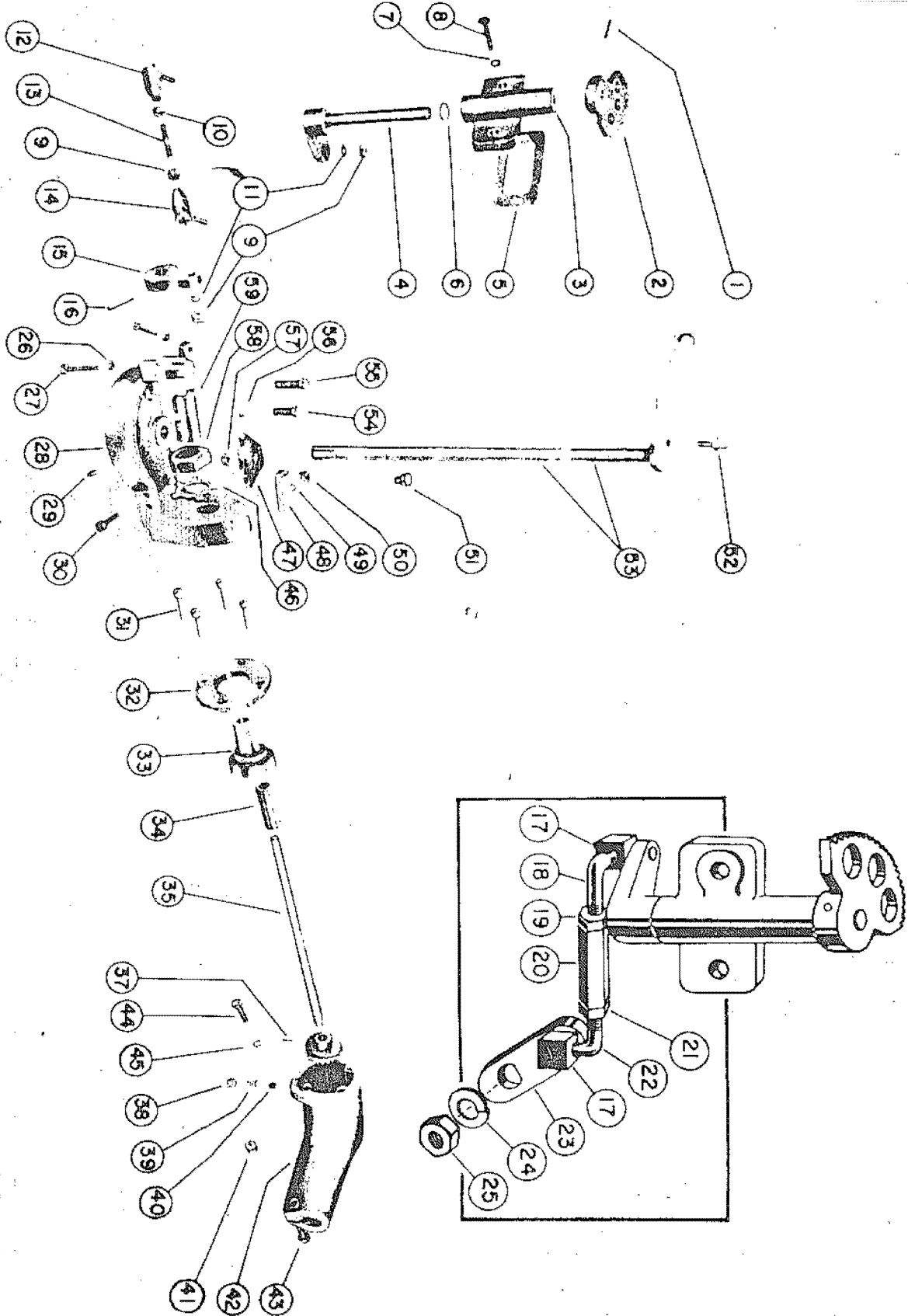


## THROTTLE AND SHIFT MECHANISM

REF. NO.	PART NO.	SYM.	QTY.	DESCRIPTION
-	<b>20470A4</b>		1,1,	<b>VERTICAL SHAFT BRACKET ASSEMBLY</b>
-	<b>22689A2</b>		„1	<b>VERTICAL SHAFT BRACKET ASSEMBLY, COMPLETE</b>
1	17-20000		1,1,1	PIN, GROOVE - SECTOR GEAR
2	43-20471		1,1,1	GEAR, SECTOR - DRIVE
3	22689A1		1,1,1	VERTICAL SHAFT BRACKET ASSEMBLY
-	<b>23-22571</b>		„2	<b>BUSHING, VERTICAL SHAFT BRACEKT</b>
4	21109A1		1,1,	VERTICAL SHAFT ASSEMBLY
	20022A1		„1	VERTICAL SHAFT ASSEMBLY
6	15-20473		AR,AR,	SHIM, VERTICAL SHAFT TO BRACEKT (.010-20)
5	15-20475		AR,AR,AR	SHIM, VERTICAL SHAFT BRACKET TO CRANKCASE (>005-10)
7	13-26992		2,2,	LOCKWASHER, VERTICAL SHAFT BRACKET SCREW
-	<b>12-20028</b>		„2	<b>WASHER, VERTICAL SHAFT BRACKET SCREW</b>
8	10-28636		2,2,2	SCREW, VERTICAL SHAFT BRACEKT TO CRANKCASE
9	11-20645		3,3,	NUT, BALL JOINT CONNECTION (RIGTH HAND THREAD)
10	11-24655		1,1,	NUT< BALL JOINT CONNECTION (LEFT HAND THREAD)
11	13-26996		2,2,	LOCKWASHER, BALL JOINT CONNECTION
12	23499		1,1,	BALL JOINT (LEFT HAND THREAD)
13	16-23500		1,1,	STUD, BALL JOINT CONNECTING
14	23498		1,1,	BALL JOINT (RIGHT HAND THREAD)
15	24412		1,1,	LEVER, CROSS SHAFT
16	17-20000		1,1,	PIN, GROOVE - CROSS SHAFT LEVER
17	20752		„2	SWIVEL, THROTTLE CONTROL LINKAGE
18	20753		„1	ROD, LEFT HAND THREAD SEE NOTE
19	11-20754		„1	NUT, CONNECTOR SLEEVE (LEFT HAND THREAD)
20	20755		„1	SLEEVE, ROD CONNECTOR
21	11-20013		„1	NUT, CONNECTOR SLEEVE (RIGHT HAND THREAD)
22	20756		„1	ROD, RIGHT HAND THREAD
23	20757		„1	LEVER, CROSS SHAFT
24	13-20758		„1	LOCKWASHER, CROSS SHAFT NUT
25	11-20087		„1	NUT, CROSS SHAFT
26	11-20645		2,2,2	NUT, THROTTLE ADJUSTING SCREW
27	10-20644		2,2,2	SCREW, THROTTLE ADJUSTING
28	20548		1,1,1	BRACKET, THROTTLE AND SHIFT LOCK
29	10-20716		1,1,1	SCREW, SET - THROTTLE AND SHAFT LOCK DRUM
30	10-20293		2,2,2	SCREW, DETENT SPRING MOUTNING
	10-20293		„1,1	SCREW, DETENT SPRING MOUTNING
	10-20646		1,1,1	SCREW, DETENT SPRING MOUTNING
31	10-20738		4,4,4	SCREW, COVER PLATE TO ELBOW
32	20744		1,1,1	PLATE, COVER - ELBOW
33	23-20743		1,1,1	BUSHING, CROSS SHAFT
-	<b>23-21646</b>		1,,	<b>SPACER</b>
34	20742		„1,1	TUBE, SPACER
35	23524A1		1,,	CROSS SHAFT ASSEMBLY

CONTINUED ON NEXT PAGE ➡

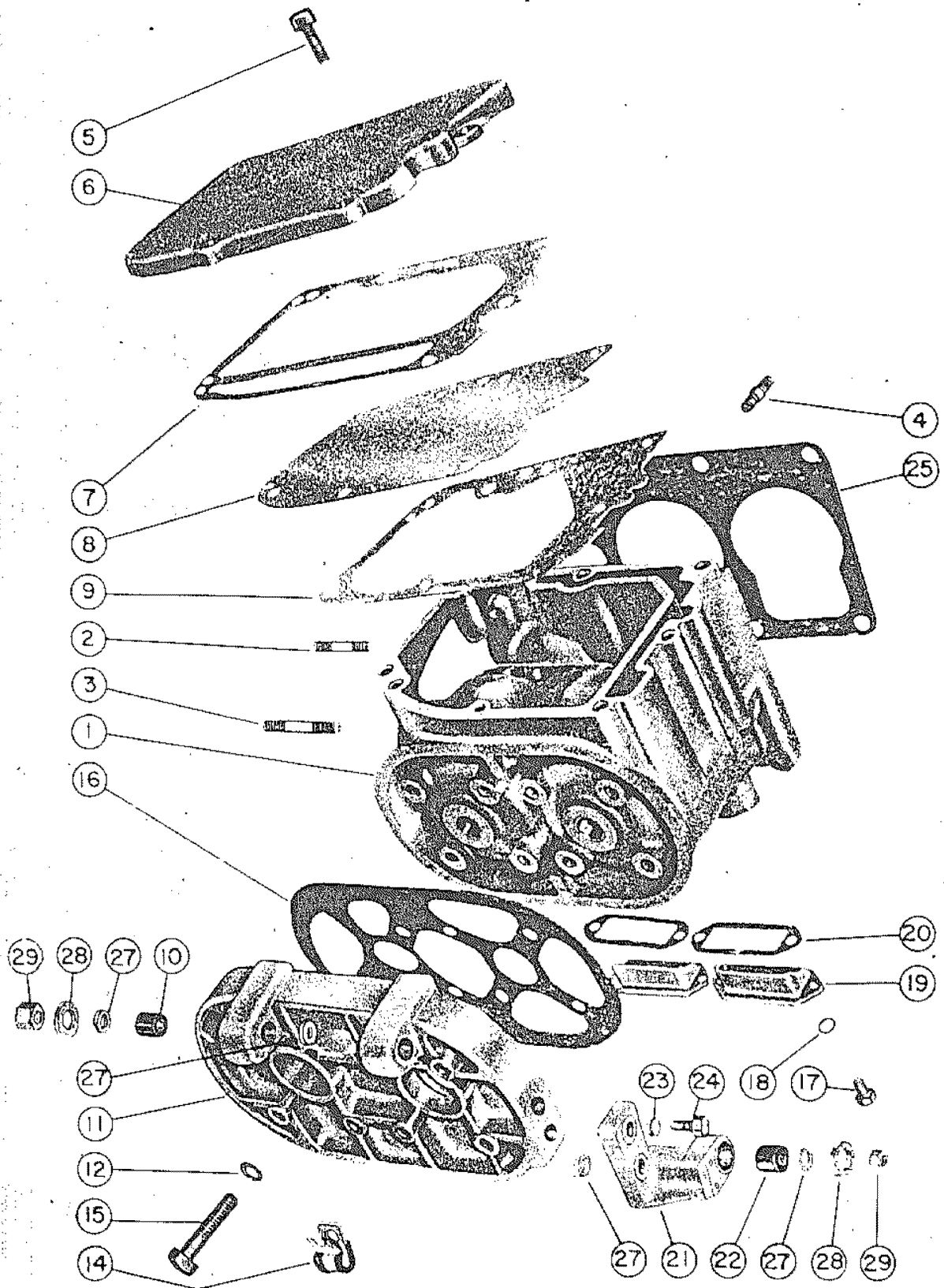
# THROTTLE AND SHIFT MECHANISM



## THROTTLE AND SHIFT MECHANISM

REF. NO.	PART NO.	SYM.	QTY.	DESCRIPTION
35	20740A1		,1,1	CROSS SHAFT ASSEMBLY
37	17-20728		1,1,1	PIN, GROOVE - BEVEL GEAR TO CROSS SHAFT
38	10-20608		1,1,1	SCREW, FRICTION PLUG
39	24-20609		1,1,1	SPRING, FRICTION PLUG
40	20737		1,1,1	PLUG, FRICTION
42	21648		1,,	ELBOW, STEERING HANDLE
	20735		,1,1	ELBOW, STEERING HANDLE
41	11-20361		1,1,1	NUT, STEERING HANDLE CLAMP SCREW
43	10-20736		1,1,1	SCREW, STEERING HANDLE CLAMP
44	10-20031		1,1,1	SCREW, STEERING HANDLE LOCATING
45	13-26992		1,1,1	LOCKWASHER, STEERING HANDLE LOCATING SCREW
46	14-20745		1,1,1	TAB WASHER, CROSS SHAFT BUSHING NUT
47	20712		1,1,1	PLATE, DETENT
48	24-20964		1,1,1	SPRING, DETENT
49	13-26996		2,2,2	LOCKWASHER, DETENT SPRING MOUNTING SCREW
50	11-20652		2,2,2	NUT, DETENT SPRING MOUNTING SCREW
-	<b>13-20202</b>		<b>1,,</b>	<b>LOCKWASHER, LOCK BRACKET SCREW</b>
51	10-26066		1,1,1	SCREW, LOCK BRACKET TO HOUSING (1 1/4")
	17-20713		1,1,1	PIN, STOP
53	23501A1		1,,	SHIFT CONTROL LEVER ASSEMBLY
	20547A1		,1,1	SHIFT CONTROL LEVER ASSEMBLY
-	<b>20797</b>		<b>1,1,1</b>	<b>COUPLING, SHIFT SHAFT</b>
54	10-28636		1,1,1	SCREW, LOCK BRACKET TO HOUSING (3/4")
55	10-20653		1,1,1	SCREW, LOCK BRACKET TO HOUSING (1")
56	13-26992		1,1,1	LOCKWASHER, LOCK BRACKET SCREW
57	11-20714		1,1,1	NUT, STOP PIN
58	11-20739		1,1,1	NUT, CROSS SHAFT BUSHING
59	20751		1,1,1	DRUM, LOCK - THROTTLE AND SHIFT

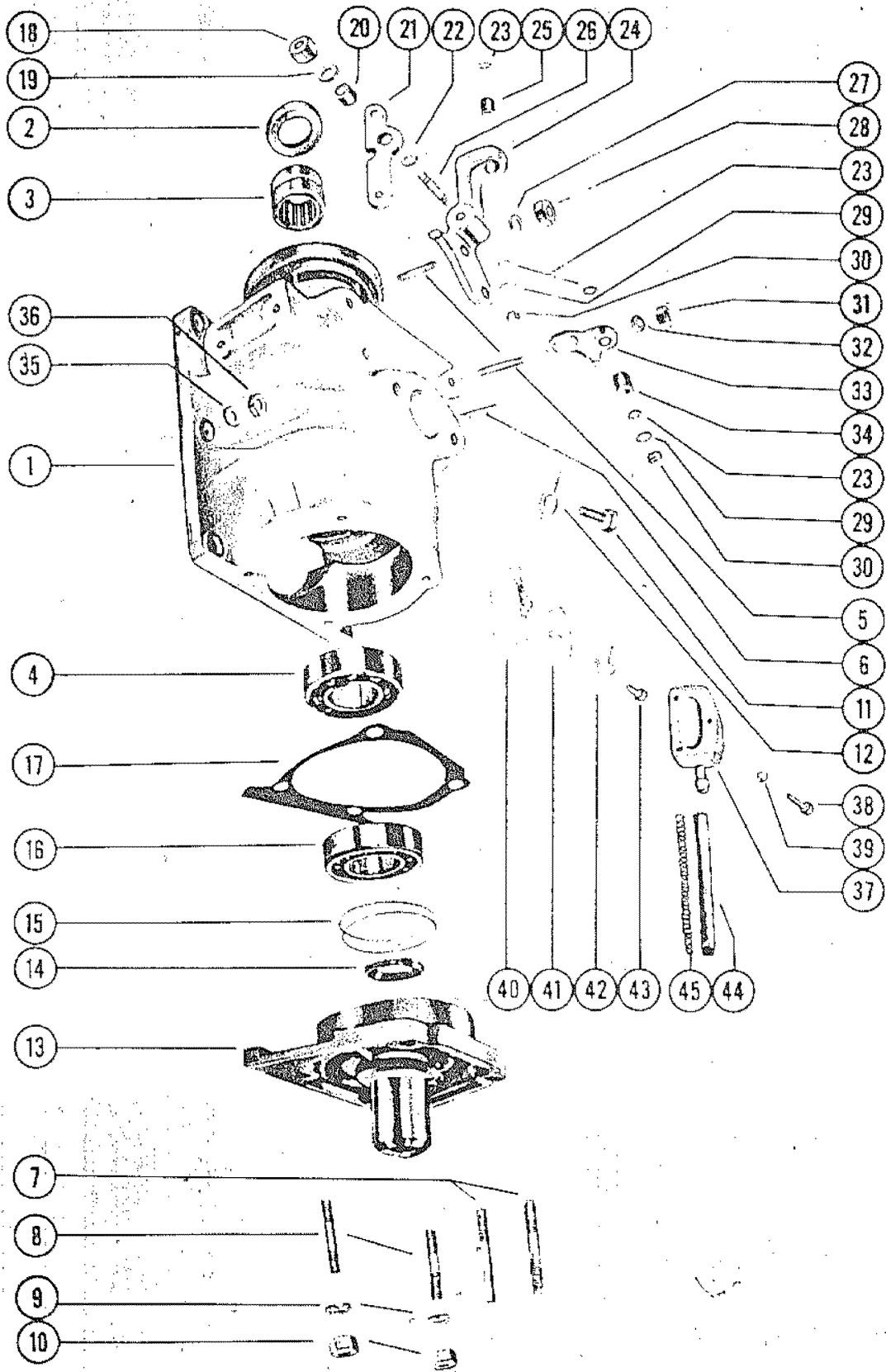
# CYLINDER BLOCK ASSEMBLY



## CYLINDER BLOCK ASSEMBLY

REF. NO.	PART NO.	SYM.	QTY.	DESCRIPTION
1	802-40A1		1,,1	CYLINDER BLOCK ASSEMBLY
	806-275A3		,1,	CYLINDER BLOCK ASSEMBLY
2	16-20484		2,2,2	STUD, POWERHEAD TO DRIVE SHAFT HSG (SHORT)
3	16-20526		2,2,2	STUD, POWERHEAD TO DRIVE SHAFT HSG (LONG)
4	16-20525		6,6,6	STUD, CYLINDER BLOCK TO CRANKCASE
-	<b>91-20065</b>		<b>2,,</b>	<b>INSERT, HELICOIL</b>
5	10-20540		7,7,7	SCREW, MANIFOLD COVER TO CYLINDER BLOCK
6	20539		1,1,1	COVER, EXHAUST MANIFOLD
7	27-20538		1,1,1	GASKET, BAFFLE PLATE TO COVER
8	20537		1,1,1	PLATE, BAFFLE
9	27-20536		1,1,1	GASKET, BAFFLE PLATE TO CYLINDER BLOCK
11	1008-509A1		1,,	CYLINDER BLOCK COVER ASSEMBLY
	1002-63A1		,1,1	CYLINDER BLOCK COVER ASSEMBLY
10	23-26348		2,2,2	BUSHING, FUEL TANK AND COWL STUDS
-	<b>54-20830</b>		<b>1,,</b>	<b>CLAMP, HIGH TENSION LEAD</b>
-	<b>10-20646</b>		<b>1,,</b>	<b>SCREW, HIGH TENSION LEAD CLAMP</b>
-	<b>11-20190</b>		<b>1,,</b>	<b>NUT, HIGH TENSION LEAD CLAMP SCREW</b>
12	12-20028		8,8,8	WASHER, COVER TO CYLINDER BLOCK SCREW
14	54-20534		,1,1	CLIP, LEAD WIRE
15	10-20532		8,8,8	SCREW, COVET TO CYLINDER BLOCK
16	27-20531		1,1,1	GASKET, CYLINDER BLOCK COVER
17	10-20031		4,4,4	SCREW, TRANSFER PORT COVER
18	12-20028		4,4,4	WASHER, TRANSFER PORT COVER SCREW
19	20029		2,2,2	COVER, TRANSFER PORT
20	27-20030		2,2,2	GASKET, TRANSFER PORT COVER
21	20543A1		,1,1	TOP COWL MOUNTING BRACKET ASSEMBLY (REAR)
22	23-26348		,1,1	BUSHING, TOP COWL STUD
23	13-26992		,2,2	LOCKWASHER, BRACKET SCREW
24	10-20542		,2,2	SCREW, BRACKET TO CYLINDER BLOCK COVER
25	27-21173		1,1,1	GASKET, CYLINDER BLOCK TO CRANSKCASE
27	12-20028		,6,6	WASHER, COWL MOUNTING STUDS (SMALL)
28	12-20346		,2,2	WASHER, COWL MOUNTING STUDS (LARGE)
	12-22937		,1,1	WASHER, COWL MOUNTING STUDS (LARGE)
29	11-20361		,3,3	NUT, COWL MOUNTING STUDS
-	<b>25-21706</b>		<b>1,,</b>	<b>"O" RING, CYLINDER BLOCK TO CRANKCASE BOTTOM</b>

# CRANKCASE ASSEMBLY



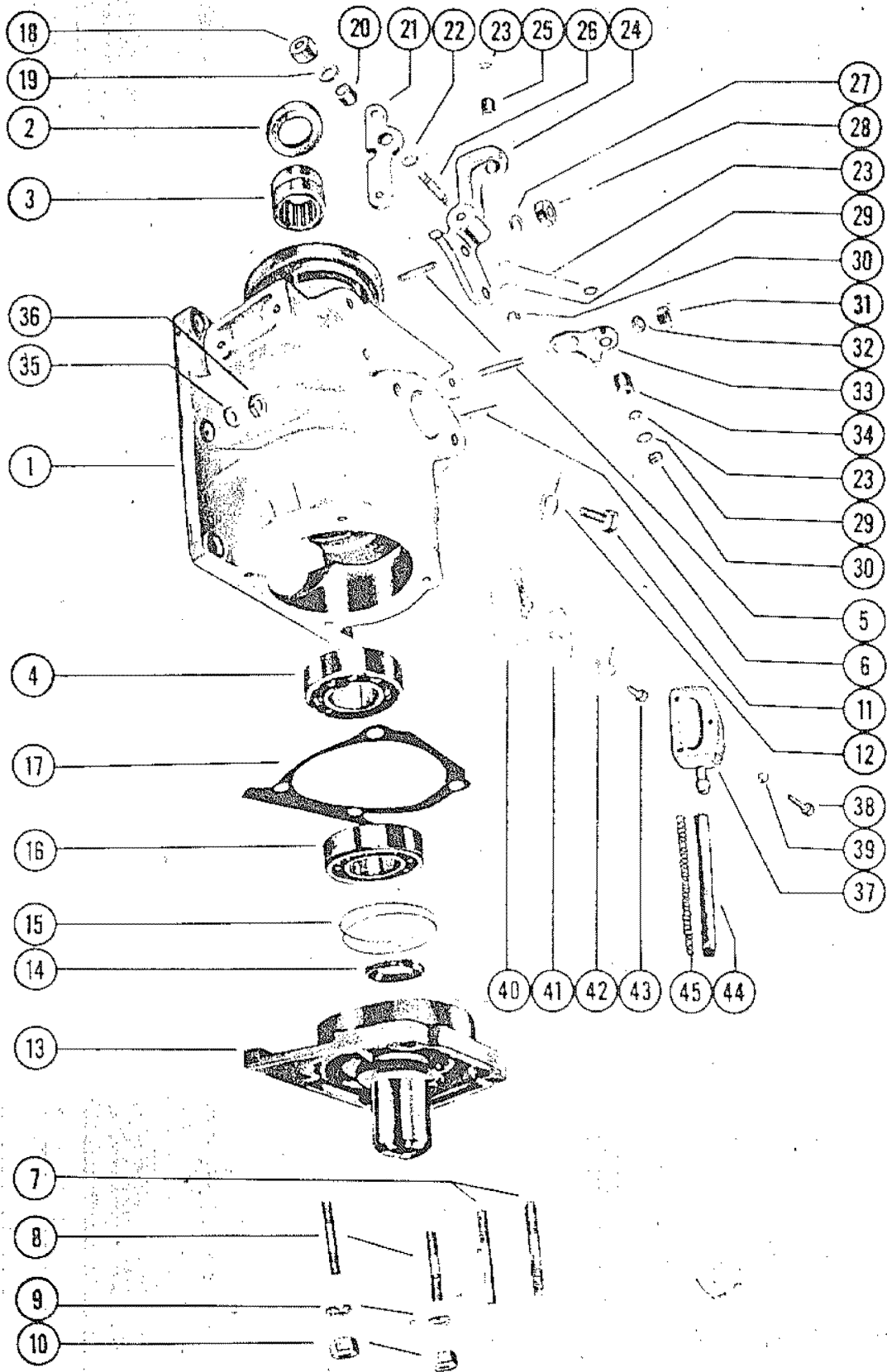


# CRANKCASE ASSEMBLY

REF. NO.	PART NO.	SYM.	QTY.	DESCRIPTION
1	917-478A1		1,,	CRANKCASE ASSEMBLY
	902-42A1		,1,1	CRANKCASE ASSEMBLY
-	<b>917-478</b>		<b>1,,</b>	<b>CRANKCASE</b>
2	26-20465		1,1,1	OIL SEAL
3	31-21700		1,,	BEARING, ROLLER
	31-20463		,1,1	BEARING, ROLLER
4	30-20464		1,1,1	BEARING, BALL
5	16-20469		,4,4	STUD, CRANKCASE TO COWL MOUNTING BRACKET
6	16-20468		2,2,2	STUD, CRANKCASE TO CARBURETOR
7	16-20466		2,2,2	STUD, CRANKCASE TO DRIVE SHAFT HOUSING
8	16-20467		2,2,2	STUD, CRANKCASE TO CRANKCASE BOTTOM
9	13-26992		2,2,2	LOCKWASHER, CRANKCASE BOTTOM STUD
10	11-20088		2,2,2	NUT, CRANKCASE BOTTOM STUD
11	10-20089		1,1,1	SCREW, CENTER MAIN BEARING LOCKING
12	14-20091		1,1,1	TAB WASHER, CENTER MAIN BEARING LOCKING SCREW
13	1103-50A1		1,,	CRANKCASE BOTTOM ASSEMBLY
	1103-49A1		,1,1	CRANKCASE BOTTOM ASSEMBLY (SEE NOTE BELOW)
14	26-20513		1,,	OIL SEAL
	26-20948		,1,1	OIL SEAL
15	15-20514		AR,AR,AR	SHIM, BALL BEARING (.002-3-5-10)
16	30-20464		1,1,1	BEARING, BALL - CRANKCASE BOTTOM
17	27-20515		1,1,1	GASKET, CRANKCASE BOTTOM TO CRANKCASE
-	<b>27-20516</b>		<b>1,1,1</b>	<b>GASKET, CRANKCASE BOTTOM TO PLATE (SEE NOTE BELOW)</b>
-	<b>20517</b>		<b>1,1,1</b>	<b>PLATE, CRANKCASE BOTTOM</b>
18	11-20509		,1,1	NUT, BRACKET STUD
19	12-20572		,1,1	WASHER, BRACKET STUD
20	23-20571		,1,1	BUSHING, BRACKET STUD
21	20570		,1,1	PLATE, COWL MOUNTING
22	12-20551		,1,1	WASHER, RUBBER = PLATE TO STARBOARD BRACKET
23	12-20028		,4,4	WASHER, COWL MOUNTING STUD
24	20549A1		,1,1	FRONT STARBOARD BRACKET ASSEMBLY
25	23-26348		,1,1	BUSHING, COWL MOUNTING STUD
26	16-20550		,1,1	STUD, COWL MOUNTING PLATE TO BRACKET
27	12-20028		,2,2	WASHER, BRACKET MOUNTING STUD (STARBOARD)
28	11-20184		,2,2	NUT, BRACKET MOUNTING STUD (STARBOARD)
29	12-20346		,2,2	WASHER, COWL MOUNTING STUD
30	11-20361		,2,2	NUT, COWL MOUNTING STUD
31	11-20184		,2,2	NUT, BRACKET MOUNTING STUD (PORT)
32	12-20028		,2,2	WASHER, BRACKET MOUNTING STUD (PORT)
33	20573A1		,1,1	FRONT PORT BRACKET ASSEMBLY
34	23-26348		,1,1	BUSHING, COWL MOUNTING STUD
35	12-20546		6,6,6	WASHER, CYLINDER BLOCK TO CRANKCASE STUD

CONTINUED ON NEXT PAGE ➡

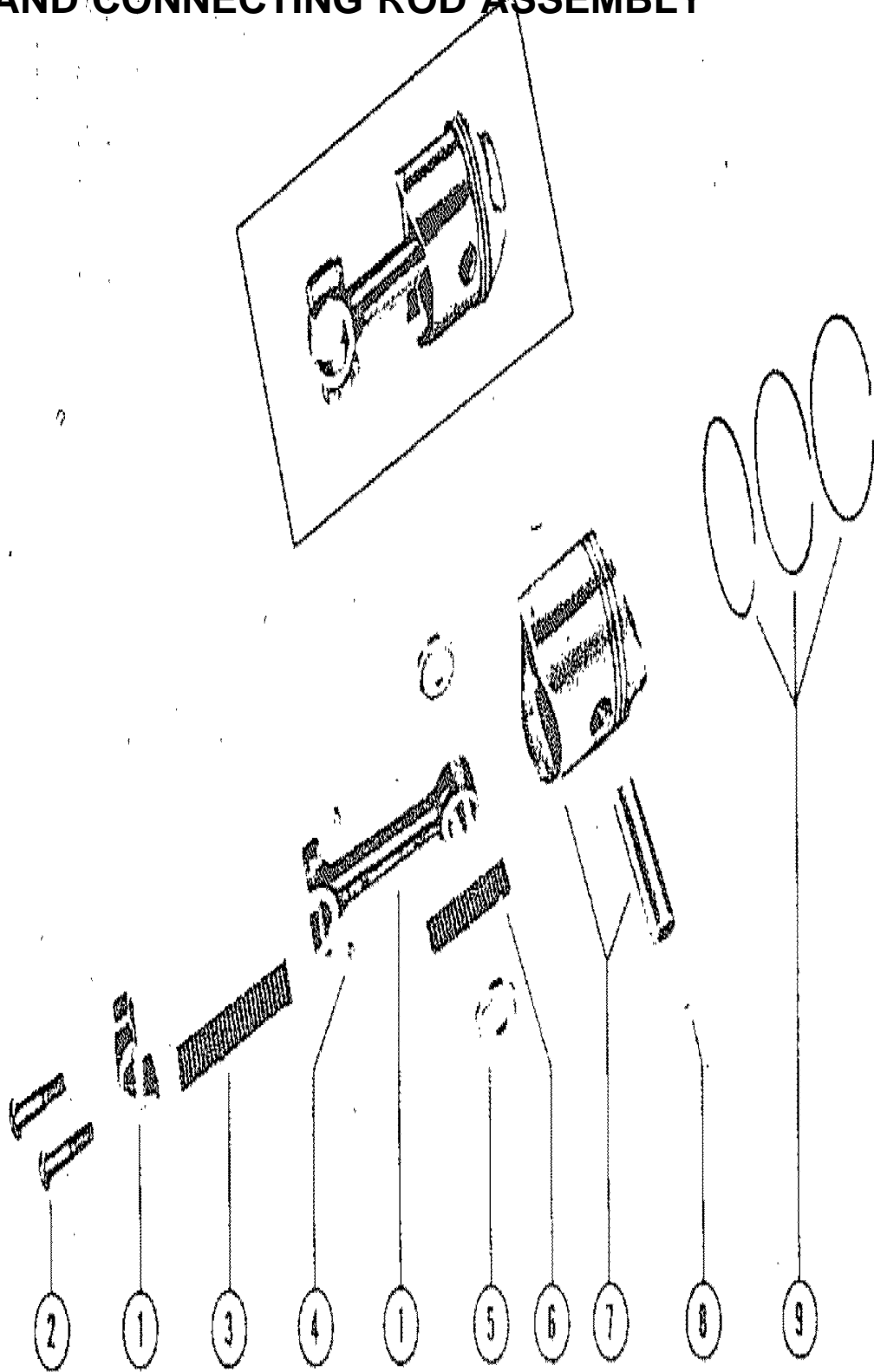
# CRANKCASE ASSEMBLY



## CRANKCASE ASSEMBLY

REF. NO.	PART NO.	SYM.	QTY.	DESCRIPTION
36	11-20083		6,6,6	NUT, CYLINDER BLOCK TO CRANKCASE STUD
37	20038		,1,1	COVER, PRESSURE VALVE
-	<b>23112</b>		,,1	<b>COVER, PRESSURE VALVE</b>
-	<b>23111</b>		1,1,	<b>CHECK VALVE AND CONNECTOR, AIR LINE</b>
-	<b>32-23024</b>		,,1	<b>AIR LINE, PRESSURE RELIEF</b>
38	10-20041		,3,3	SCREW, PRESSURE VALVE COVER TO CRANKCASE
39	13-26996		,3,3	LOCKWASHER, PRESSURE VALVE COVER SCREW
40	27-20039		,1,1	GASKET, PRESSURE VALVE COVER TO CRANKCASE
41	34-20035		,1,1	REED, PRESSURE VALVE
42	34-20036		,1,1	STOP, REED
43	10-20037		,2,2	SCREW, REED STOP
44	32-20476		,1,1	AIR LINE, PRESSURE VALVE COVER TO RECEPTACLE
45	24-20477		,1,1	SPRING, AIR LINE
-	<b>54-22976</b>		,2,2	<b>CLAMP, HOSE</b>

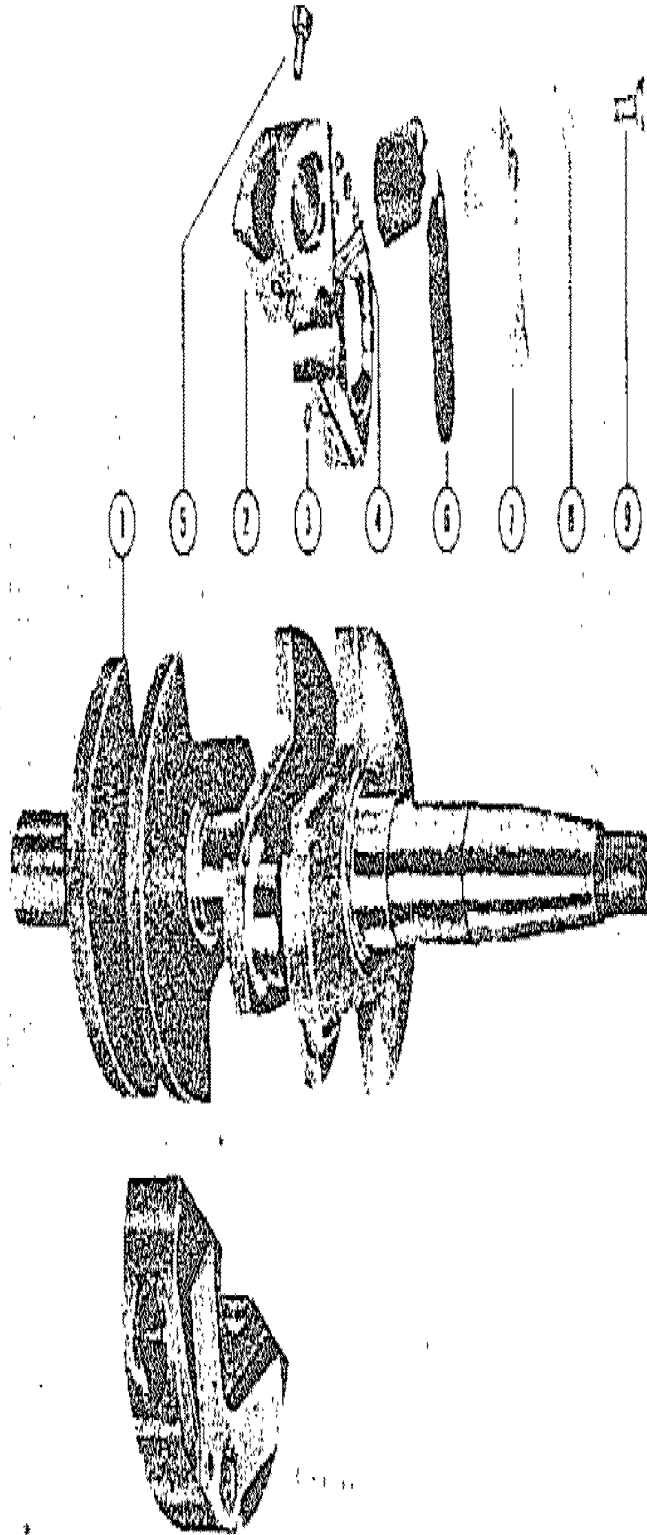
# PISTON AND CONNECTING ROD ASSEMBLY



## PISTON AND CONNECTING ROD ASSEMBLY

REF. NO.	PART NO.	SYM.	QTY.	DESCRIPTION
1	601-62A2		2,2,2	CONNECTING ROD ASSEMBLY
2	10-20519		4,4,4	SCREW, CONNECTING ROD
3	29-20520		56,56,56	BEARING, NEEDLE - CRANKPIN
4	11-20061		4,4,4	NUT, CONNECTING ROD SCREW
5	12-20522		4,4,4	WASHER, NEEDLE BEARING RETAINING
6	29-20521		44,44,44	BEARING, NEEDLE - PISTON PIN
7	718-1193A2		2,,2	PISTON AND PISTON PIN ASSEMBLY
	708-447A1		,2,	PISTON AND PISTON PIN ASSEMBLY
8	40-20057		4,4,4	LOCK RING, PISTON PIN
9	39-20058		6,,6	RING, PISTON
	39-21680		,6,	RING, PISTON
-	<b>714-497A1</b>		<b>2,,2</b>	<b>PISTON AND PISTON PIN ASSEMBLY (.015 OVERSIZE )</b>
-	<b>701-142A1</b>		<b>,2,</b>	<b>PISTON AND PISTON PIN ASSEMBLY (.015 OVERSIZE )</b>
-	<b>39-20992</b>		<b>6,,6</b>	<b>RING, PISTON (.015 OVERSIZE)</b>
-	<b>39-20993</b>		<b>,6,</b>	<b>RING, PISTON (.015 OVERSIZE)</b>

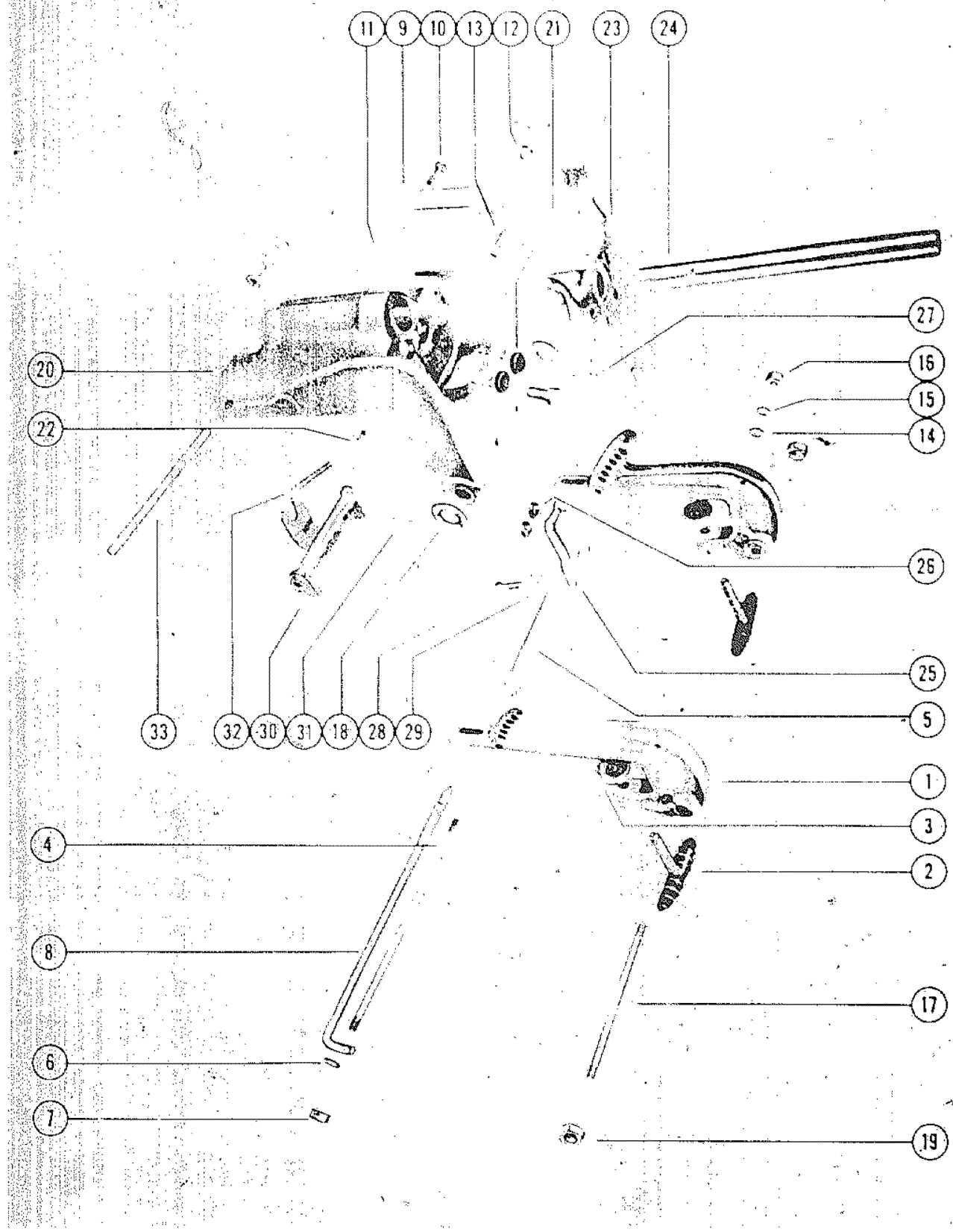
# CRANKSHAFT AND CENTER MAIN BEARING ASSEMBLY



# CRANKSHAFT AND CENTER MAIN BEARING ASSEMBLY

REF. NO.	PART NO.	SYM.	QTY.	DESCRIPTION
1	402-48		1,1,1	CRANKSHAFT
2	502-59A1		1,1,1	CENTER MAIN BEARING ASSEMBLY
3	17-20392		2,2,2	DOWEL PIN, CENTER MAIN BEARING
4	17-20050		8,8,8	DOWEL PIN, REED LOCATING
5	10-20049		2,2,2	SCREW, CENTER MAIN BEARING CLAMPING
6	34-20888		1,1,1	REED SET, MATCHED - CENTER MAIN BEARING
7	34-20053		4,4,4	REED STOP, MAIN BEARING REED VALVE
8	12-26014		4,4,4	WASHER, REED STOP MOUNTING SCREW
9	10-20055		4,4,4	SCREW, REED STOP MOUNTING

# CLAMP AND SWIVEL BRACKET

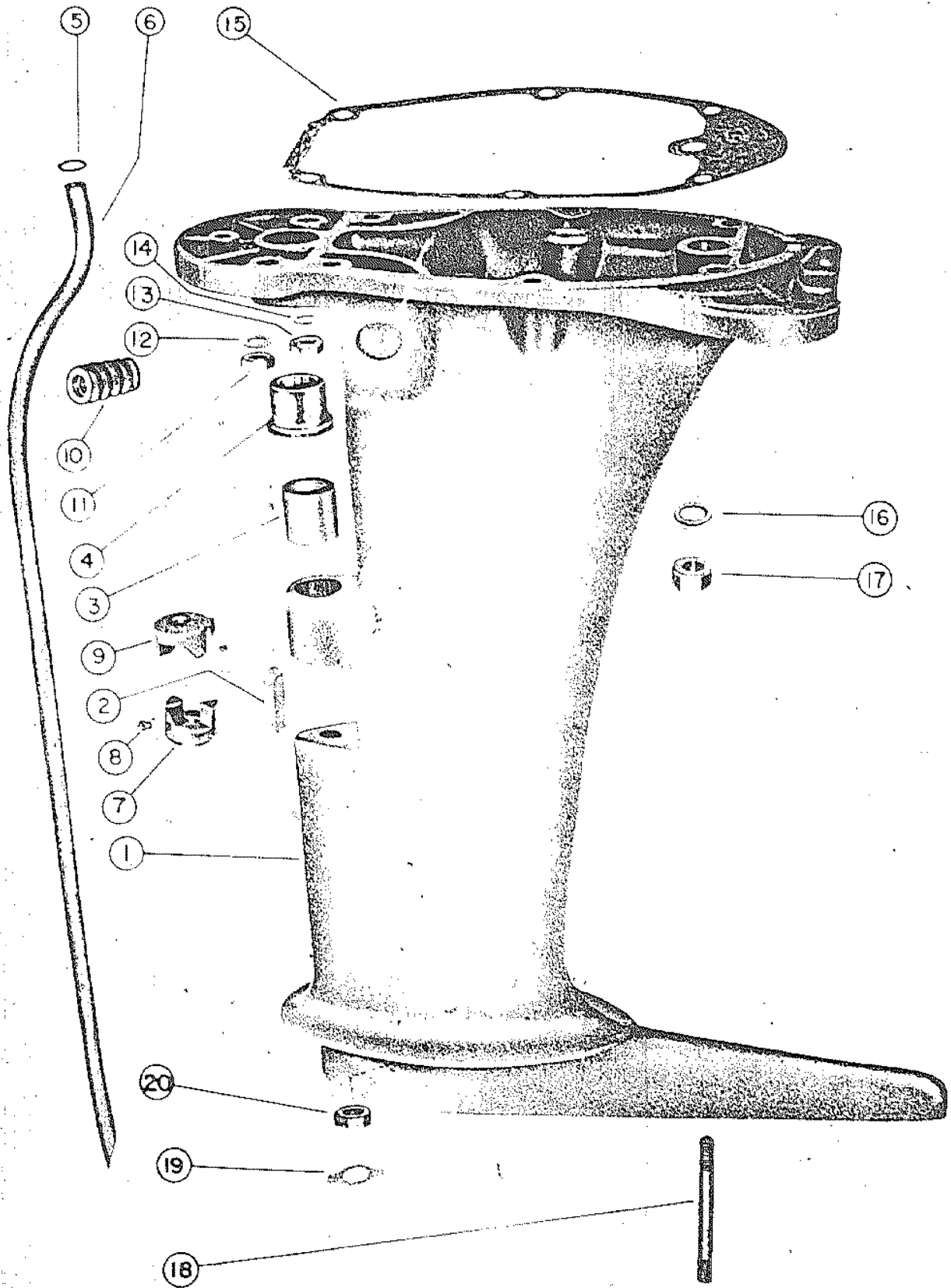




## CLAMP AND SWIVEL BRACKET

REF. NO.	PART NO.	SYM.	QTY.	DESCRIPTION
1	1400-273A1		2,,	CLAMP BRACKET ASSEMBLY
	1408-246A2		,2,	CLAMP BRACKET ASSEMBLY
	1400-21A1		,,2	CLAMP BRACKET ASSEMBLY
2	22477		2,2,2	THUMB SCREW ASSEMBLY
3	12-20214		2,2,2	WASHER, THUMB SCREW
4	16-20657		1,1,1	STUD, CLAMP BRACKET
5	23-20658		1,1,1	SPACER, CLAMP BRACKET STUD
6	13-26993		2,2,2	LOCKWASHER, CLAMP BRACKET STUD
7	11-20083		2,2,2	NUT, CLAMP BRACKET STUD
8	17-28848A2		1,1,1	TILT LOCK PIN ASSEMBLY
9	20693		1,1,1	LEVER, TILT STOP
10	10-27790		1,1,1	SCREW, RETAINING - TILT STOP LEVER
11	13-20846		1,1,1	WASHER, WAVE - RETAINING SCREW
12	23-20216		1,1,1	SPACER, TILT STOP LEVER
13	10-20217		1,1,1	SCREW, ANCHOR - TILT STOP LEVER
14	12-20028		2,2,2	WASHER, TILT STOP LEVER SCREW
15	13-26992		2,2,2	LOCKWASHER, TILT STOP LEVER SCREW
16	11-20088		2,2,2	NUT, TILT STOP LEVER SCREW
17	16-20694		1,1,1	STUD, CLAMP BRACKET TO SWIVEL BRACKET
18	15-20695		2,2,2	SHIM, CLAMP BRACKET TO SWIVEL BRACKET
-	<b>54-20284</b>		<b>1,1,1</b>	<b>CLIP, SAFETY CHAIN</b>
19	11-20696		2,2,2	NUT, CLAMP BRACKET TO SWIVEL BRACKET STUD
20	1402-66A1		1,1,1	SWIVEL BRACKET ASSEMBLY
	1406-798A1		,1,	SWIVEL BRACKET ASSEMBLY
	1402-86A1		,,1	SWIVEL BRACKET ASSEMBLY
21	20203		2,2,2	DISC, FRICTION - SWIVEL BRACKET
22	10-20697		1,1,1	>SCREW, DRIVE - SPRING ATTACHING
23	20951		1,1,1	CO-PILOT DISC
24	17-20710		1,1,1	SWIVEL PIN
25	20701A1		1,1,1	CLAMP PLATE ASSEMBLY
26	20203		2,2,2	DISC, FRICTION - CLAMP PLATE
27	10-20705		1,1,1	SCREW, CLAMP PLATE TENSION ADJUSTING
28	10-21625		2,2,2	SCREW, CLAMP PLATE TO SWIVEL BRACKET
29	13-26992		2,2,2	LOCKWASHER, CLAMP PLATE SCREW
30	20974		1,1,1	REVERSE LOCK LEVER ASSEMBLY
31	18-20209		1,1,1	COTTER PIN, REVERSE LOCK LEVER
32	24-20210		1,1,1	SPRING, REVERSE LOCK LEVER
33	20709		1,1,1	ROD, REVERSE LOCK LEVER
-	<b>38-24411</b>		<b>,1,</b>	<b>SERIAL PLATE</b>
-	<b>38-20748</b>		<b>,,1</b>	<b>SERIAL PLATE</b>
-	<b>10-20314</b>		<b>,4,4</b>	<b>SCREW, DRIVE - SERIAL PLATE TO SWIVEL BRACKET</b>

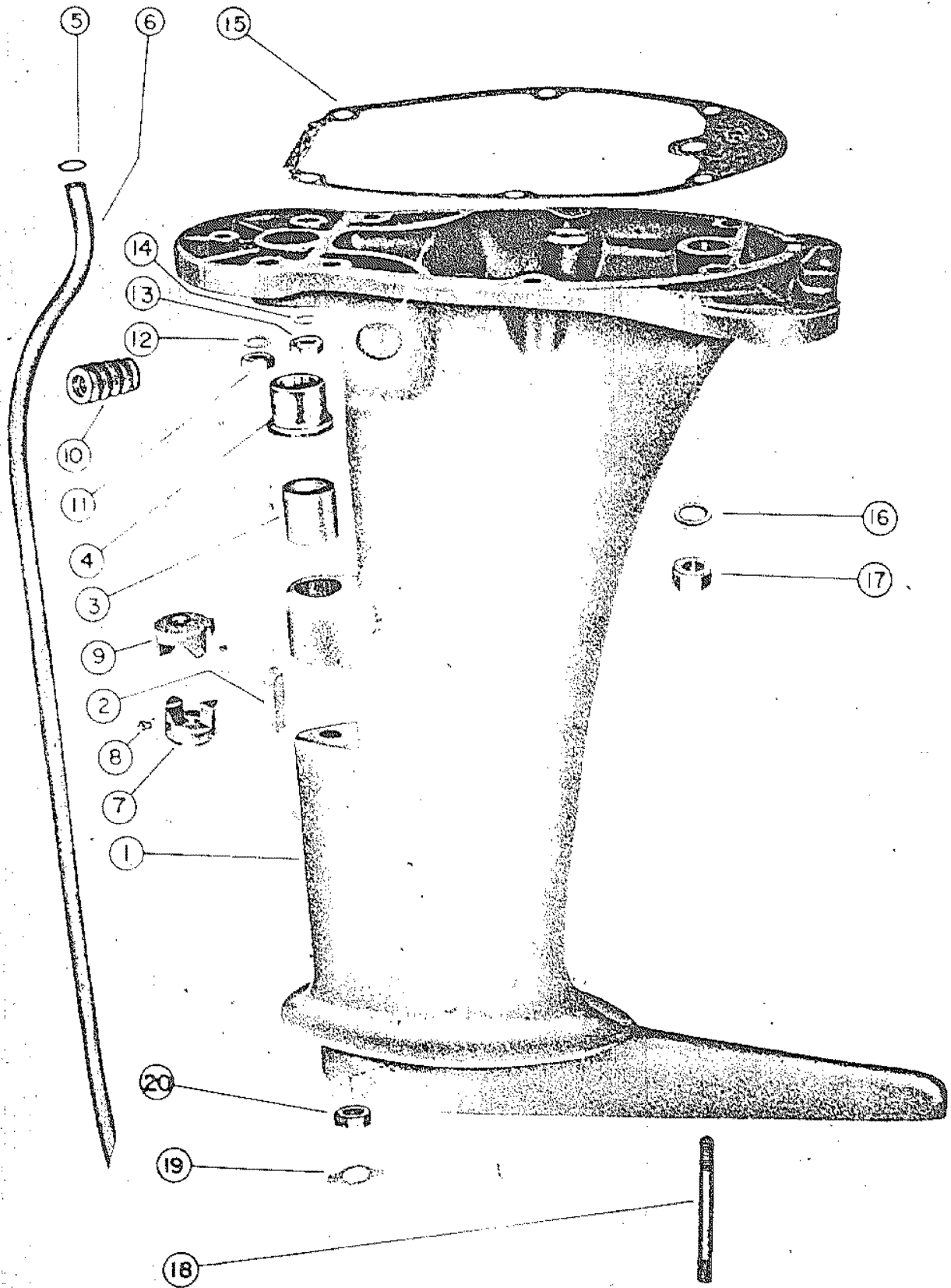
# DRIVE SHAFT HOUSING ASSEMBLY



## DRIVE SHAFT HOUSING ASSEMBLY

REF. NO.	PART NO.	SYM.	QTY.	DESCRIPTION
1	1501-78A1		1,1,1	DRIVE SHAFT HOUSING ASSEMBLY
2	20641		1,1,1	LINER, CAM GUIDE SLOT
3	23-20638		1,1,1	BUSHING, LOWER
4	23-20973		1,1,1	BUSHING, UPPER
5	25-20633		1,1,1	"O" RING, WATER INLET TUBE
6	32-20634		1,1,1	TUBE, WATER INLET
18	16-20635		1,1,1	STUD, GEAR HOUSING TO DRIVE SHAFT HOUSING
7	20715		1,1,1	CAM, REVERSE LOCK - LOWER HALF
8	10-20716		1,1,1	SCREW, SET - REVERSE LOCK CAM
9	20717		1,1,1	CAM, REVERSE LOCK - UPPER HALF
10	24-20229		2,2,2	SPRING, CO-PILOT TO DRIVE SHAFT HOUSING
11	11-20083		1,1,1	NUT, LOCK BRACKET SCREW (1 1/4")
12	13-20202		1,1,1	LOCKWASHER, LOCK BRACKET SCREW
13	11-20088		1,1,1	NUT, LOCK BRACKET SCREW (1")
14	13-26992		1,1,1	LOCKWASHER, LOCK BRACKET SCREW
15	27-20642		1,1,1	GASKET, DRIVE SHAFT HOUSING TO POWERHEAD
16	12-20028		6,6,6	WASHER, POWERHEAD STUD
17	11-20088		6,6,6	NUT, POWERHEAD STUD
19	14-20747		2,2,2	TAB WASHER, GEAR HOUSING STUD
20	11-20083		2,2,2	NUT, GEAR HOUSING STUD

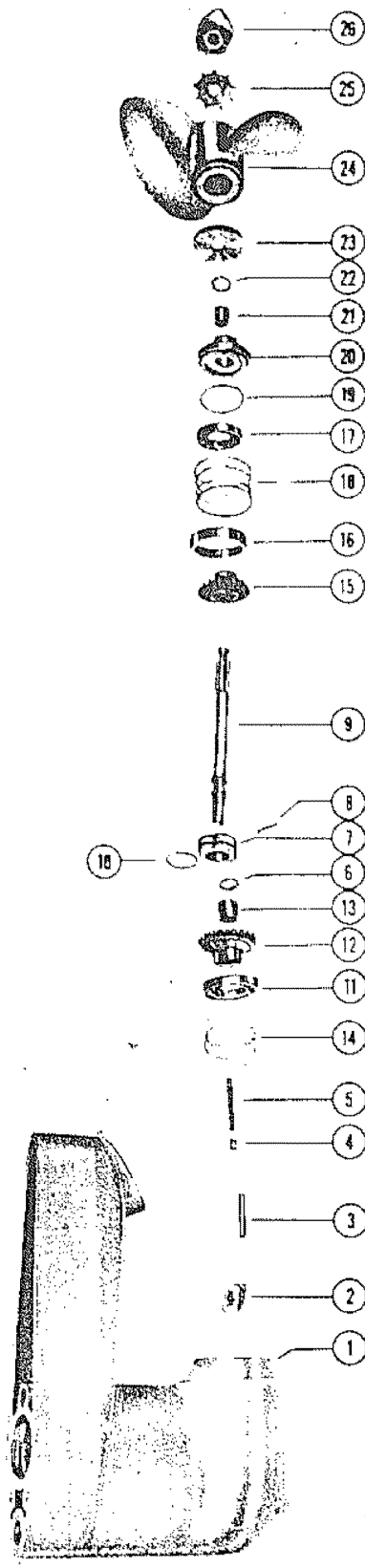
# PROPELLERS, INSIDE AND OUTSIDE STEERING



## PROPELLERS, INSIDE AND OUTSIDE STEERING

REF. NO.	PART NO.	SYM.	QTY.	DESCRIPTION
-	20507A3		,1,1	INSIDE STEERING BAR ASSEMBLY, COMPLETE
-	12-20553		,2,2	WASHER, STEERING BAR
-	11-20509		,2,2	NUT, STEERING BAR
-	20502A1		,1,1	SWIVEL ASSEMBLY
-	20502		,1,1	SWIVEL, INSIDE STEERING
-	24-20510		,1,1	SPRING, SWIVEL PIN
-	17-20503		,1,1	PIN, SWIVEL
-	17-2071		,1,1	PIN, GROOVE - SWIVEL PIN
-	20403A1		,1,1	SWIVEL LOCK ASSEMBLY
-	11-20664		,1,1	NUT, SWIVEL LOCK
-	20892A1		1,1,1	OUTSIDE STEERING BAR ASSEMBLY
-	10-20639		2,2,2	SCREW, STEERING BAR TO DRIVE SHAFT HOUSING
-	13-26993		2,2,2	LOCKWASHER, STEERING BAR SCREW
-	11-20640		2,2,2	NUT, STEERING BAR SCREW
-	48-20325A4		1,,	PROPELLER ASSEMBLY, 2 BLADE ALUMINUM - 10.5" PITCH
-	48-23647A1		1,,1	PROPELLER ASSEMBLY, 2 BLADE ALUMINUM - 11" PITCH
-	48-25551A1		1,,1	PROPELLER ASSEMBLY, 3 BLADE BRONZE - 9" PITCH
-	48-24611A1		,1,	PROPELLER ASSEMBLY, 2 BLADE ALUMINUM - 9.5" PITCH
-	18-25419A2		,,1	PROPELLER ASSEMBLY, 2 BLADE ALUMINUM - 11.6" PITCH
-	48-25662A1		,,1	PROPELLER ASSEMBLY, 2 BLADE BRONZE - 11" PITCH
-	48-25663A1		,,1	PROPELLER ASSEMBLY, 2 BLADE BRONZE - 11.6" PITCH

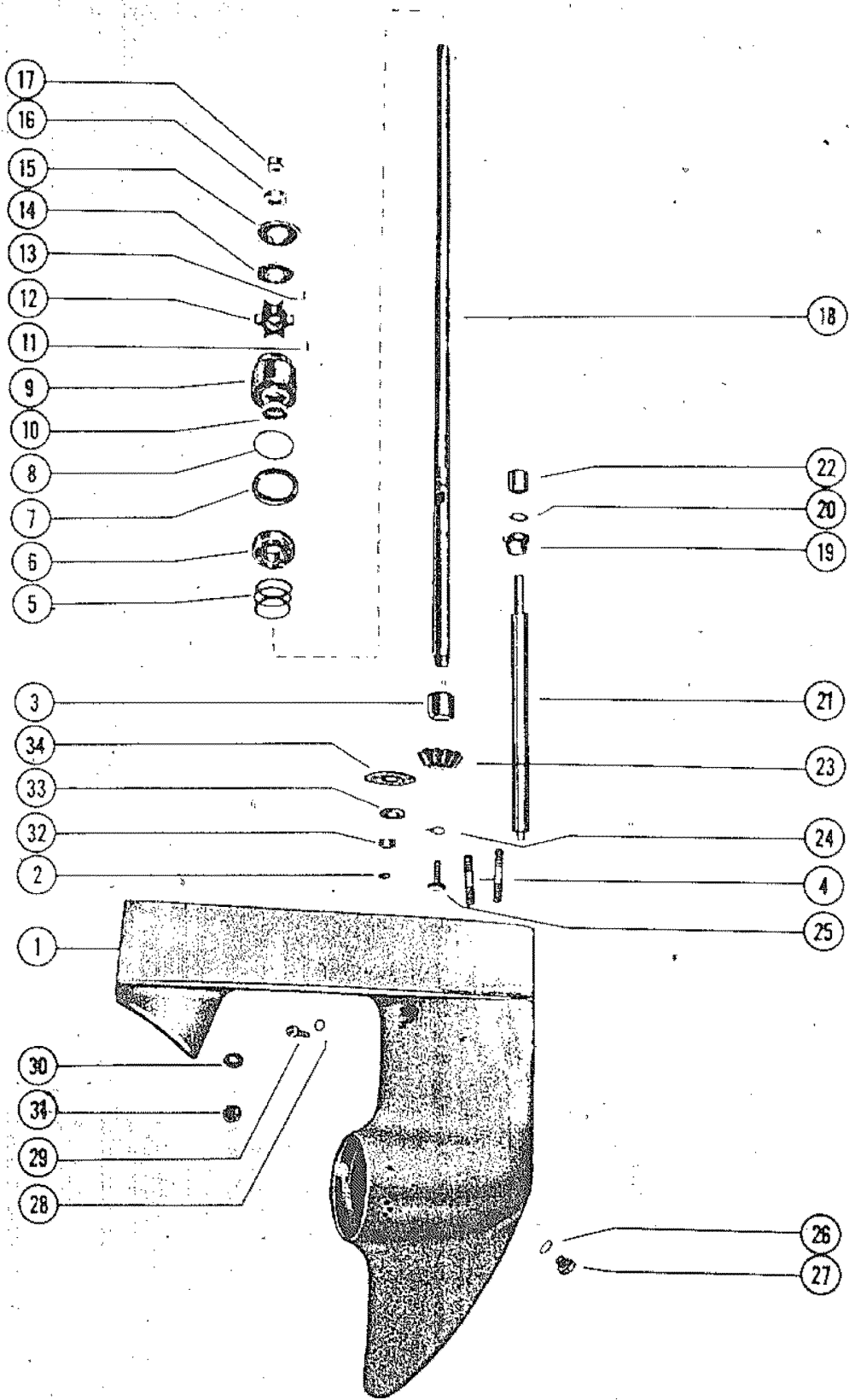
# GEAR HOUSING AND PROPELLER



## GEAR HOUSING AND PROPELLER

REF. NO.	PART NO.	SYM.	QTY.	DESCRIPTION
1	1602-994A11		1,1,1	GEAR HOUSING ASSEMBLY, COMPLETE
2	20794		1,1,1	CAM, SHIFT
3	20818		1,1,1	CAM FOLLOWER
4	20255		1,1,1	SLIDE, CROSS PIN
5	24-20254		1,1,1	SPRING, CAM FOLLOWER PIN
6	12-20817		2,2,2	WASHER, THRUST (.170 .175 .180)
7	52-24615		1,,	CLUTCH, SLIDING
	52-25609		1,1,1	CLUTCH, SLIDING
8	17-24607		1,,	PIN, CROSS
	17-20819		1,1,1	PIN, CROSS
9	44-24797		1,,	PROPELLER SHAFT
	44-20828		1,1,1	PROPELLER SHAFT
10	53-24596		1,,	RING, RETAINING - CROSS PIN
	53-20820		1,1,1	RING, RETAINING - CROSS PIN
-	<b>43-24606A1</b>		<b>1,,</b>	<b>FORWARD GEAR ASSEMBLY</b>
-	<b>43-20976A1</b>		<b>1,1,1</b>	<b>FORWARD GEAR ASSEMBLY</b>
11	30-20824		1,,	BEARING, BALL - FORWARD GEAR
	30-25398		1,1,1	BEARING, BALL - FORWARD GEAR
12	43-24606		1,,	GEAR, FORWARD
	43-20976		1,1,1	GEAR, FORWARD
13	31-20069		1,1,1	BEARING, ROLLER - FORWARD GEAR
14	15-24592		AR,,	SHIM, BALL BEARING TO GEAR HOUSING (.002-3-5-10)
	15-20788		AR,AR,AR	SHIM, BALL BEARING TO GEAR HOUSING (.002-3-5-10)
-	<b>43-20977A1</b>		<b>1,1,1</b>	<b>REVERSE GEAR ASSEMBLY</b>
15	43-20977		1,1,1	GEAR, REVERSE
16	20823		1,1,1	RING, ADAPTOR - BALL BEARING
17	30-20824		1,1,1	BEARING, BALL - REVERSE GEAR
18	15-20822		AR,AR,AR	SHIM, BALL BEARING TO REVERSE GEAR (.002-3-5-10)
19	25-20826		1,1,1	RING, SEALING - RUBBER
20	20825A2		1,1,1	SEALING RING ASSEMBLY
21	31-20069		1,1,1	BEARING, ROLLER - SEALING RING
22	26-25431		1,1,1	OIL SEAL, SEALING RING (1 1/8" O.D)
	26-20070		1,1,1	OIL SEAL, SEALING RING (1" O.D)
23	20827		1,1,1	COVER, GEAR HOUSING
24	48-20325A4		1,,	PROPELLER (ON KH7 BELOW SERIAL #540510)
	48-23647A1		1,,1	PROPELLER (ON KH7 BELOW ABOVE #540509)
	48-24611A1		,1,	PROPELLER
25	14-20749		1,1,1	TAB WASHER, PROPELLER NUT
-	<b>12-20750</b>		<b>1,1,1</b>	<b>WASHER, BACKING - PROPELLER NUT</b>
26	20950A1		1,1,1	PROPELLER NUT ASSEMBLY

# GEAR HOUSING AND DRIVE SHAFT



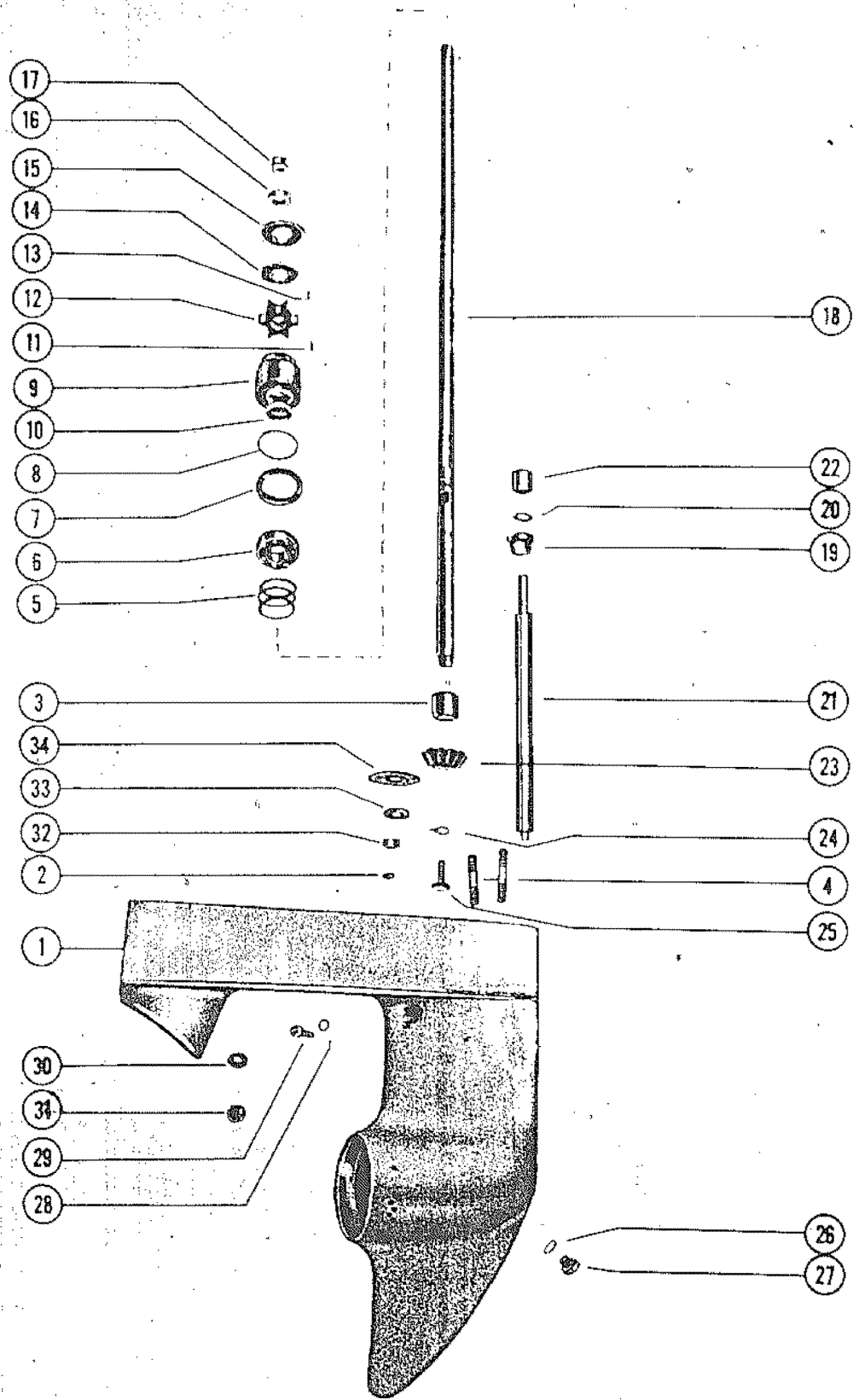


## GEAR HOUSING AND DRIVE SHAFT

REF. NO.	PART NO.	SYM.	QTY.	DESCRIPTION
-	<b>1602-994A11</b>		<b>1,1,1</b>	<b>GEAR HOUSING ASSEMBLY, COMPLETE</b>
1	1605-808A1		1,,	GEAR HOUSING ASSEMBLY (SEE NOTE BELOW)
	1602-1439A1		1,1,1	GEAR HOUSING ASSEMBLY
-	<b>17-20032</b>		<b>1,1,1</b>	<b>PIN, DOWEL - LOCATING</b>
2	19-20791		1,1,1	WELCH PLUG
3	31-20790		1,1,1	BEARING, ROLLER - DRIVE SHAFT (7/8" O.D.)
	31-28157		1,1,1	BEARING, ROLLER - DRIVE SHAFT (15/16" O.D.)
4	16-20792		2,2,2	STUD, GEAR HOUSING TO DRIVE SHAFT HOUSING
-	<b>15-20803</b>		<b>AR,AR,AR</b>	<b>SHIM, DRIVE SHAFT BALL BEARING (.010)</b>
5	15-20804		AR,AR,AR	SHIM, BALL BEARING TO GEAR HOUSING (.002-3-5-10)
6	30-20802		1,1,1	BEARING, BALL - DRIVE SHAFT
7	12-20808		1,1,1	"L" WASHER, WATER PUMP CARTRIDGE
8	25-20812		1,1,1	SEAL, RUBBER - WATER PUMP CARTRIDGE
9	46-20809A2		1,1,1	WATER PUMP CARTRIDGE ASSEMBLY
10	26-20070		1,1,1	OIL SEAL, WATER PUMP CARTRIDGE
-	<b>20810</b>		<b>1,1,1</b>	<b>PLATE, BOTTOM - WATER PUMP CARTRIDGE</b>
-	<b>20811</b>		<b>1,1,1</b>	<b>SLEEVE, WATER PUMP CARTRIDGE</b>
11	17-20265		1,1,1	PIN, PUMP CARTRIDGE TO GEAR HOUSING
12	47-20813		1,1,1	IMPELLER, WATER PUMP
13	17-23733		1,1,1	PIN, IMPELLER DRIVE
14	20815		1,1,1	PLATE, OUTLET - WATER PUMP
15	20816A1		1,1,1	WATER PUMP COVER ASSEMBLY
16	26-20070		1,1,1	OIL SEAL, WATER PUMP COVER
17	12-20684		1,1,1	WASHER, RUBBER - CENTRIFUGAL SLINGER
18	45-23730		1,1,1	DRIVE SHAFT
19	23-24589A1		1,,	SHIFT SHAFT BUSHING ASSEMBLY
	23-20796A1		1,1,1	SHIFT SHAFT BUSHING ASSEMBLY
20	26-24590		1,,	OIL SEAL
	26-2036		1,1,1	OIL SEAL
21	20795		1,1,1	SHIFT SHAFT, LOWER HALF
22	20797		1,1,1	COUPLING, SHIFT SHAFT
23	43-20805		1,1,1	GEAR, PINION - DRIVE SHAFT
24	14-20806		1,1,1	TAB WASHER, PINION GEAR
25	10-20807		1,1,1	SCREW, PINION GEAR TO DRIVE SHAFT
26	12-20260		1,1,1	WASHER, GREASE FILLER HOLE SCREW
27	10-28634		1,1,1	SCREW, GREASE FILLER HOLE
28	12-20262		1,1,1	WASHER, GEAR HOUSING VENT SCREW
29	10-28653		1,1,1	SCREW, GEAR HOUSING VENT

CONTINUED ON NEXT PAGE ➡

# GEAR HOUSING AND DRIVE SHAFT



## GEAR HOUSING AND DRIVE SHAFT

REF. NO.	PART NO.	SYM.	QTY.	DESCRIPTION
30	13-20202		1,1,1	LOCKWASHER, DRIVE SHAFT HOUSING STUD
31	11-20083		1,1,1	NUT, DRIVE SHAFT HOUSING STUD
32	12-20684		1,1,1	WASHER, RUBBER - WATER INLET TUBE
33	12-20683		1,1,1	WASHER, WATER INLET TUBE
34	20746		1,1,1	PLATE, WATER INLET TUBE

# PARTS INDEX

Part Number	Description	Pg.	Ref. No.	Part Number	Description	Pg.	Ref. No.
20022A1	VERTICAL SHAFT ASSEMBLY	25	4	20641	LINER, CAM GUIDE SLOT	41	2
20029	COVER, TRANSFER PORT	29	19	20662	HANDLE, STARTER CABLE	3	17
20038	COVER, PRESSURE VALVE	33	37	20693	LEVER, TILT STOP	39	9
20119	PROTECTOR, SPARK PLUG	11	42	20701A1	CLAMP PLATE ASSEMBLY	39	25
20119	PROTECTOR, SPARK PLUG	13	28	20709	ROD, REVERSE LOCK LEVER	39	33
20172	END CAP, CABLE HANDLE	3	18	20712	PLATE, DETENT	27	47
20173	SHUTTER< CHOKE	21	4	20715	CAM, REVERSE LOCK - LOWER HALF	41	7
20178A1	CHOKE LEVER ASSEMBLY	21	-	20717	CAM, REVERSE LOCK - UPPER HALF	41	9
20203	DISC, FRICTION - CLAMP PLATE	39	26	20718	SHIELD, FRONT COVER	5	28
20203	DISC, FRICTION - SWIVEL BRACKET	39	21	20721	BUMPER, RUBBER - SHIELD	5	32
20255	SLIDE, CROSS PIN	45	4	20731	TUBE, STEERING HANDLE (10 1/2" LONG)	23	13
20376	RETAINER, CONNECTOR	5	6	20731A1	STEERING HANDLE TUBE ASSEMBLY (10 1/2" LONG)	23	--
20403A1	SWIVEL LOCK ASSEMBLY	43	--	20732	RING, POINTER - STEERING HANDLE TUBE	23	--
20470A4	VERTICAL SHAFT BRACKET ASSEMBLY	25	-	20735	ELBOW, STEERING HANDLE	23	6
20483	PLUG, RECEPTACLE	5	9	20735	ELBOW, STEERING HANDLE	27	42
20502	SWIVEL, INSIDE STEERING	43	--	20737	PLUG, FRICTION	23	3
20502A1	SWIVEL ASSEMBLY	43	--	20737	PLUG, FRICTION	27	40
20507A3	INSIDE STEERING BAR ASSEMBLY, COMPLETE	43	--	20740A1	CROSS SHAFT ASSEMBLY	27	35
20517	PLATE, CRANKCASE BOTTOM	31	--	20742	TUBE, SPACER	25	34
20537	PLATE, BAFFLE	29	8	20744	PLATE, COVER - ELBOW	25	32
20539	COVER, EXHAUST MANIFOLD	29	6	20746	PLATE, WATER INLET TUBE	49	34
20543A1	TOP COWL MOUNTING BRACKET ASSEMBLY (REAR)	29	21	20751	DRUM, LOCK - THROTTLE AND SHIFT	27	59
20547A1	SHIFT CONTROL LEVER ASSEMBLY	27	53	20752	SWIVEL, THROTTLE CONTROL LINKAGE	25	17
20548	BRACKET, THROTTLE AND SHIFT LOCK	25	28	20753	ROD, LEFT HAND THREAD SEE NOTE	25	18
20549A1	FRONT STARBOARD BRACKET ASSEMBLY	31	24	20755	SLEEVE, ROD CONNECTOR	25	20
20570	PLATE, COWL MOUNTING	31	21	20756	ROD, RIGHT HAND THREAD	25	22
20573A1	FRONT PORT BRACKET ASSEMBLY	31	33	20757	LEVER, CROSS SHAFT	25	23
20582	LEVER, CHOKE	21	7	20762A2	STARTER SHEAVE ASSEMBLY	3	6
20591A1	HANDLE GRIP AND SHAFT ASSEMBLY (16 1/2" LONG)	23	15	20765	SHAFT, SHEAVE	3	5
20591A2	STEERING HANDLE ASSEMBLY	23	-	20769	RETAINER, STARTER PAWL	3	11
20591A6	HANDLE GRIP AND SHAFT ASSEMBLY (18 1/2" LONG)	23	15	20772A1	STARTER PAWL ASSEMBLY	3	14
20598	STATOR PLATE ASSEMBLY	9	-	20773	MAGENT, STARTER PAWL	3	15
20599	ROTOR	9	21	20777	PLATE, FRICTION	3	21
20604	PLUG, MAGNETO PILOT FRICTION	9	24	20779	SLEEVE, COWL RETAINING (THREADED)	5	2
20615A1	THROTTLE CONTROL CAM ASSEMBLY	11	34	20780A1	RECEPTACLE ASSEMBLY, CONNECTOR	5	3
20615A1	THROTTLE CONTROL CAM ASSEMBLY	13	38	20785	BRACKET, FUEL FILTER	5	15
20623	MARKER, HIGH TENSION LEAD (TOP)	11	41	20785A1	FUEL FILTER AND BRACKET ASSEMBLY	5	--
20623	MARKER, LEAD WIRE (TOP)	13	33	20786	FILTER, FUEL	5	16
20631	RATCHET, STARTER	3	--	20794	CAM, SHIFT	45	2
20631	RATCHET, STARTER	3	24	20795	SHIFT SHAFT, LOWER HALF	47	21
				20797	COUPLING, SHIFT SHAFT	27	--
				20797	COUPLING, SHIFT SHAFT	47	22
				20810	PLATE, BOTTOM - WATER PUMP CARTRIDGE	47	--
				20811	SLEEVE, WATER PUMP CARTRIDGE	47	--

# PARTS INDEX

Part Number	Description	Pg.	Ref. No.	Part Number	Description	Pg.	Ref. No.
20816A1	WATER PUMP COVER ASSEMBLY	47	15	10-20031	SCREW, TRANSFER PORT COVER	29	17
20818	CAM FOLLOWER	45	3	10-20037	SCREW, REED STOP	33	43
20823	RING, ADAPTOR - BALL BEARING	45	16	10-20041	SCREW, PRESSURE VALVE COVER TO CRANKCASE	33	38
20825A2	SEALING RING ASSEMBLY	45	20	10-20049	SCREW, CENTER MAIN BEARING CLAMPING	37	5
20827	COVER, GEAR HOUSING	45	23	10-20055	SCREW, REED STOP MOUNTING	37	9
20892A1	OUTSIDE STEERING BAR ASSEMBLY	43	--	10-20089	SCREW, CENTER MAIN BEARING LOCKING	31	11
20950A1	PROPELLER NUT ASSEMBLY	45	26	10-20217	SCREW, ANCHOR - TILT STOP LEVER	39	13
20951	CO-PILOT DISC	39	23	10-20293	SCREW, DETENT SPRING MOUNTING	25	30
20974	REVERSE LOCK LEVER ASSEMBLY	39	30	10-20293	SCREW, DETENT SPRING MOUNTING	25	30
21109A1	VERTICAL SHAFT ASSEMBLY	25	4	10-20293	SCREW, SECTOR GEAR MOUNTING	9	29
21460	END CAP, FUEL FILTER	7	10	10-20314	SCREW, DRIVE - PROTECTOR RIM	7	17
21648	ELBOW, STEERING HANDLE	23	6	10-20314	SCREW, DRIVE - SERIAL PLATE MOUNTING	7	39
21648	ELBOW, STEERING HANDLE	27	42	10-20314	SCREW, DRIVE - SERIAL PLATE TO SWIVEL BRACKET	39	--
21870A1	FUEL TANK BRACKET ASSEMBLY	7	34	10-20377	SCREW, RETAINER TO RECEPTACLE	5	7
21870A3	FUEL TANK BRACKET ASSEMBLY, COMPLETE	7	--	10-20411	SCREW, AUXILIARY TO HANDLE TO STARTER HOUSING	3	--
22122	COVER, COWL CUT-OUT	5	--	10-20519	SCREW, CONNECTING ROD	35	2
22451	ROD, CHOKE	21	-	10-20532	SCREW, COVET TO CYLINDER BLOCK	29	15
22454	STUD, CHOKE LEVER	21	-	10-20540	SCREW, MANIFOLD COVER TO CYLINDER BLOCK	29	5
22477	THUMB SCREW ASSEMBLY	39	2	10-20542	SCREW, BRACKET TO CYLINDER BLOCK COVER	29	24
22689A1	VERTICAL SHAFT BRACKET ASSEMBLY	25	3	10-20578	SCREW, CHOKE SHUTTER	21	5
22689A2	VERTICAL SHAFT BRACKET ASSEMBLY, COMPLETE	25	-	10-20597	SCREW, THROTTLE LEVER TO CARBURETOR	21	2
23111	CHECK VALVE AND CONNECTOR, AIR LINE	33	--	10-20602	SCREW AND LOCKWASHER, COVER TO STATOR PLATE	9	22
23112	COVER, PRESSURE VALVE	33	--	10-20608	SCREW, SPRING TENSION ADJUSTING	9	26
23281	PACKING, FUEL SHUT-OFF VALVE	19	--	10-20608	SCREW, FRICTION PLUG	23	5
23298	KNOB, CHOKE ROD	21	-	10-20616	SCREW, FRICTION PLUG	27	38
23413A3	PROTECTOR RIM ASSEMBLY	7	15	10-20616	SCREW, CONTROL CAM TO MAGNETO (SHORT)	11	37
23417	SHIELD, FRONT COVER (NOT AS SHOWN)	5	28	10-20616	SCREW, CONTROL CAM TO MAGNETO (SHORT)	13	39
23498	BALL JOINT (RIGHT HAND THREAD)	25	14	10-20619	SCREW, CONTROL CAM TO MAGNETO (LONG)	11	36
23499	BALL JOINT (LEFT HAND THREAD)	25	12	10-20619	SCREW, CONTROL CAM TO MAGNETO (LONG)	15	42
23501A1	SHIFT CONTROL LEVER ASSEMBLY	27	53	10-20639	SCREW, STEERING BAR TO DRIVE SHAFT HOUSING	43	--
23502A1	STEERING HANDLE TUBE ASSEMBLY (12 1/2" LONG)	23	--	10-20644	SCREW, THROTTLE ADJUSTING	25	27
23524A1	CROSS SHAFT ASSEMBLY	25	35				
24011	FLUSHING DEVICE	1	-				
24069	DAMPENER, FLYWHEEL	9	--				
24187	PLUG, FLYWHEEL (SMALL)	13	2				
24188	PLUG, FLYWHEEL (LARGE)	13	3				
24412	LEVER, CROSS SHAFT	25	15				
24736	HANDLE, AUXILIARY	3	--				
10-20031	SCREW, STEERING HANDLE LOCATING	27	44				
10-20031	SCREW, STEERING HANDLE LOCATION	23	1				

# PARTS INDEX

Part Number	Description	Pg.	Ref. No.	Part Number	Description	Pg.	Ref. No.
10-20646	SCREW, DETENT SPRING MOUNTING	25	30	10-21133	SCREW, FIXED CONTACT	13	6
10-20646	SCREW, HIGH TENSION LEAD CLAMP	29	--	10-21139	SCREW, LEAD WIRE CLAMP	13	21
10-20653	SCREW, LOCK BRACKET TO HOUSING (1")	27	55	10-21140	SCREW, LEAD WIRE CLIP	13	25
10-20653	SCREW, PROTECTOR RIM TO FUEL TANK (FRONT LUGS)	7	22	10-21471	SCREW AND LOCKWASHER, THROTTLE SHUTTER	17	24
10-20697	>SCREW, DRIVE - SPRING ATTACHING	39	22	10-21548	SCREW, FUEL TANK BRACKET TO CRANKCASE	7	37
10-20705	SCREW, CLAMP PLATE TENSION ADJUSTING	39	27	10-21625	SCREW, CLAMP PLATE TO SWIVEL BRACKET	39	28
10-20716	SCREW, SET - REVERSE LOCK CAM	41	8	10-21625	SCREW, PROTECTOR RIM TO FUEL TANK (CENTER AND REAR LUGS)	7	21
10-20716	SCREW, SET - THROTTLE AND SHAFT LOCK DRUM	25	29	10-22484	SCREW, STARTER HOUSING TO FUEL TANK (REAR)	3	--
10-20720	SCREW, SHIELD TO STARBOARD COWL	5	31	10-23285	SCREW, INLET NEEDLE AND SEAT CHANNEL PLUG	17	-
10-20723	SCREW, STARBOARD COWL MOUNTING	5	27	10-23556	SCREW, CORE TO STATOR PLATE	13	14
10-20724	SCREW, HANDLE CLAMPING	5	25	10-23976	SCREW, BREAKER POINT CONNECTION	13	9
10-20736	SCREW, STEERING HANDLE CLAMP	23	8	10-24070	SCREW, FLYWHEEL DAMPENER	9	--
10-20736	SCREW, STEERING HANDLE CLAMP	27	43	10-24636	SCREW, STARTER HOUSING TO FUEL TANK (FRONT)	3	--
10-20738	SCREW, COVER PLATE TO ELBOW	25	31	10-25157	SCREW, SECTOR GEAR TO STATOR PLATE	13	36
10-20774	SCREW, SHEAVE REINFORCING	3	7	10-26066	SCREW, LOCK BRACKET TO HOUSING (1 1/4")	27	51
10-20776	SCREW, FRICTION PLATE TO HOUSING AND COWL	3	22	10-27790	SCREW, RETAINING - TILT STOP LEVER	39	10
10-20778	SCREW, SHEAVE SHAFT	3	20	10-28634	SCREW, GREASE FILLER HOLE	47	27
10-20784	SCREW, PORT COWL MOUNTING	5	20	10-28636	SCREW, LOCK BRACKET TO HOUSING (3/4")	27	54
10-20807	SCREW, PINION GEAR TO DRIVE SHAFT	47	25	10-28636	SCREW, VERTICAL SHAFT BRACKET TO CRANKCASE	25	8
10-20847	SCREW, THROTTLE STOP LEVER	17	8	10-28653	SCREW, GEAR HOUSING VENT	47	29
10-20854	SCREW, FLOAT BOWL COVER (SHORT)	17	22	10-29256	SCREW, RECEPTACLE TO PORT COWL	5	10
10-20857	SCREW, FLOAT BOWL COVER (LONG)	17	23	11-20013	NUT, CONNECTOR SLEEVE (RIGHT HAND THREAD)	25	21
10-20858	SCREW AND LOCKWASHER, THROTTLE SHUTTER	17	24	11-20061	NUT, CONNECTING ROD SCREW	35	4
10-20870	SCREW, PLUG - BODY CHANNEL	17	--	11-20083	NUT, CLAMP BRACKET STUD	39	7
10-20879	SCREW AND LOCKWASHER, BREAKER MOUNTING	9	6	11-20083	NUT, CYLINDER BLOCK TO CRANKCASE STUD	33	36
10-20880	SCREW AND LOCKWASHER, BREAKER ADJUSTING	9	-	11-20083	NUT, DRIVE SHAFT HOUSING STUD	49	31
10-20883	SCREW, CONDENSER ATTACHING	9	11	11-20083	NUT, GEAR HOUSING STUD	41	20
10-20884	SCREW AND LOCKWASHER, LEAD CLAMP	9	20	11-20083	NUT, LOCK BRACKET SCREW (1 1/4")	41	11
10-21130	SCREW, GROUND TERMINAL	13	15	11-20087	NUT, CROSS SHAFT	25	25
10-21133	SCREW, CONDENSER MOUNTING	13	11				

# PARTS INDEX

Part Number	Description	Pg.	Ref. No.	Part Number	Description	Pg.	Ref. No.
11-20088	NUT, LOCK BRACKET			12-20028	WASHER, BRACKET		
	SCERW (1") .....	41	13	12-20028	MOUNTING STUD (PORT)	31	32
11-20088	NUT, POWERHEAD STUD ..	41	17	12-20028	WASHER, BRACKET		
11-20088	NUT, TILT STOP LEVER				MOUNTING STUD		
	SCREW .....	39	16		(STARBOARD) .....	31	27
11-20184	NUT, BRACKET MOUNTING			12-20028	WASHER, CONTROL CAM		
	STUD (PORT) .....	31	31		SCREW .....	15	43
11-20184	NUT, BRACKET MOUNTING			12-20028	WASHER, CONTROL CAM		
	STUD (STARBOARD) .....	31	28		SCREW (LONG) .....	11	38
11-20184	NUT, CARBURETOR			12-20028	WASHER, COVER TO		
	MOUNTING STUD .....	19	29		CYLINDER BLOCK		
11-20190	NUT, FUEL FILTER STUD ..	7	11		SCREW .....	29	12
11-20190	NUT, HIGH TENSION LEAD			12-20028	WASHER, COWL MOUNTING		
	CLAMP SCREW .....	29	--		STUD .....	31	23
11-20361	NUT, COWL MOUNTING			12-20028	WASHER, COWL MOUNTING		
	STUD .....	31	30		STUDS (SMALL) .....	29	27
11-20361	NUT, COWL MOUNTING			12-20028	WASHER, LEAD WIRE CLIP		
	STUDS .....	29	29		SCREW .....	13	26
11-20361	NUT, PROTECTOR RIM			12-20028	WASHER, POWERHEAD		
	MOUNTING STUD .....	7	24		STUD .....	41	16
11-20361	NUT, STEERING HANDLE			12-20028	WASHER, PROTECTOR RIM		
	CLAMP SCREW .....	23	7		MOUNTING STUD .....	7	26
11-20361	NUT, STEERING HANDLE			12-20028	WASHER, TILT STOP LEVER		
	CLAMP SCREW .....	27	41		SCREW .....	39	14
11-20361	NUT, TOP COWL TO PORT			12-20028	WASHER, TOP COWL TO		
	COWL STUD .....	5	22		PORT COWL STUD .....	5	21
11-20509	NUT, BRACKET STUD .....	31	18	12-20028	WASHER, TRANSFER PORT		
11-20509	NUT, STEERING BAR .....	43	--		COVER SCREW .....	29	18
11-20586	NUT, CHOKE LEVER STUD ..	21	9	12-20028	WASHER, VERTICAL SHAFT		
11-20640	NUT, STEERING BAR				BRACKET SCREW .....	25	-
	SCERW .....	43	--	12-20214	WASHER, THUMB SCREW ..	39	3
11-20645	NUT, BALL JOINT			12-20260	WASHER, GREASE FILLER		
	CONNECTION (RIGTH				HOLE SCREW .....	47	26
	HAND THREAD) .....	25	9	12-20262	WASHER, GEAR HOUSING		
11-20645	NUT, THROTTLE				VENT SCREW .....	47	28
	ADJUSTING SCREW .....	25	26	12-20346	WASHER, COWL MOUNTING		
11-20652	NUT, DETENT SPRING				STUD .....	31	29
	MOUNTING SCREW .....	27	50	12-20346	WASHER, COWL MOUNTING		
11-20664	NUT, SWIVEL LOCK .....	43	--		STUDS (LARGE) .....	29	28
11-20696	NUT, CLAMP BRACKET TO			12-20346	WASHER, PROTECTOR RIM		
	SWIVEL BRACKET STUD	39	19		MOUNTING STUD .....	7	25
11-20714	NUT, STOP PIN .....	27	57	12-20522	WASHER, NEEDLE BEARING		
11-20739	NUT, CROSS SHAFT				RETAINING .....	35	5
	BUSHING .....	27	58	12-20533	WASHER, COWL SCREW ..	5	26
11-20754	NUT, CONNECTOR SLEEVE			12-20546	WASHER, CYLINDER BLOCK		
	(LEFT HAND THREAD) ..	25	19		TO CRANKCASE STUD ..	31	35
11-20849	NUT, MAIN ADJUSTMENT			12-20551	WASHER, RUBBER = PLATE		
	SCREW .....	17	15		TO STARBOARD		
11-20881	NUT, TERMINAL .....	9	8		BRACKET .....	31	22
11-21113	NUT, COMPRESSION - FUEL			12-20553	WASHER, STEERING BAR ..	43	--
	LINE SLEEVE .....	7	14	12-20572	WASHER, BRACKET STUD ..	31	19
11-22425	NUT, SPEED - COWL CUT-			12-20583	WASHER, CHOKE LEVER		
	OUT COVER FASTENING	5	--		STUD .....	21	8
11-22684	FASTENER, SPRING UNIT ..	7	18	12-20583	WASHER, TOP COWL TO		
11-22684	FASTENER, SPRING UNIT ..	7	28		PORT COWL .....	5	--
11-23263	NUT, ADAPTOR - FUEL			12-20603	WASHER, COVER SCREW ..	9	23
	FILTER .....	7	6	12-20603	WASHER, PROCTECTOR		
11-23282	NUT, SHUT-OFF VALVE				SPRING .....	11	--
	PACKING GLAND .....	19	--	12-20628	WASHER, RUBBER - ROTOR		
					TO FLYWHEEL .....	9	31

# PARTS INDEX

Part Number	Description	Pg.	Ref. No.	Part Number	Description	Pg.	Ref. No.
12-20670	WASHER, LEAD WIRE CLAMP SCREW	13	23	13-26992	LOCKWASHER, CLAMP PLATE SCREW	39	29
12-20683	WASHER, WATER INLET TUBE	49	33	13-26992	LOCKWASHER, CRANKCASE BOTTOM STUD	31	9
12-20684	WASHER, RUBBER - CENTRIFUGAL SLINGER	47	17	13-26992	LOCKWASHER, FRICTION PLATE SCREW	3	23
12-20684	WASHER, RUBBER - WATER INLET TUBE	49	32	13-26992	LOCKWASHER, FUEL TANK BRACKET SCREW	7	36
12-20719	WASHER, SHIELD SCREW	5	29	13-26992	LOCKWASHER, LOCK BRACKET SCREW	27	56
12-20722	WASHER, HANDLE CLAMPING SCREW	5	24	13-26992	LOCKWASHER, LOCK BRACKET SCREW	41	14
12-20750	WASHER, BACKING - PROPELLER NUT	45	--	13-26992	LOCKWASHER, PROTECTOR RIM SCREWS	7	23
12-20768	WASHER, STARTER PAWL RETAINER	3	10	13-26992	LOCKWASHER, STEERING HANDLE LOCATING SCREW	23	2
12-20808	"L" WASHER, WATER PUMP CARTRIDGE	47	7	13-26992	LOCKWASHER, STEERING HANDLE LOCATING SCREW	27	45
12-20817	WASHER, THRUST (.170 .175 .180)	45	6	13-26992	LOCKWASHER, TILT STOP LEVER SCREW	39	15
12-20878	WASHER, TERMINAL	9	9	13-26992	LOCKWASHER, VERTICAL SHAFT BRACKET SCREW	25	7
12-20885	WASHER, FELT	9	3	13-26993	LOCKWASHER, CLAMP BRACKET STUD	39	6
12-21135	WASHER, FIXED CONTACT SCREW	13	8	13-26993	LOCKWASHER, RECEPTACLE SCREW	5	11
12-21464	WASHER, RUBBER	7	8	13-26993	LOCKWASHER, STEERING BAR SCREW	43	--
12-22937	WASHER, COWL MOUNTING STUDS (LARGE)	29	28	13-26994	LOCKWASHER, RETAINER SCREW	5	8
12-23280	WASHER, FULE SHUT-OFF VALVE PACKING GLAND	19	--	13-26995	LOCKWASHER, CHOKE LEVER STUD	21	-
12-26014	WASHER, REED STOP MOUNTING SCREW	37	8	13-26996	LOCKWASHER, AUXILIARY HANDLE SCREW	3	--
13-20202	LOCKWASHER, DRIVE SHAFT HOUSING STUD	49	30	13-26996	LOCKWASHER, BALL JOINT CONNECTION	25	11
13-20202	LOCKWASHER, LOCK BRACKET SCREW	41	12	13-26996	LOCKWASHER, DETENT SPRING MOUNTING SCREW	27	49
13-20202	LOCKWASHER, LOCK BRACKET SCREW	27	--	13-26996	LOCKWASHER, PRESSURE VALVE COVER SCREW	33	39
13-20632	LOCKWASHER, STARTER RATCHET	3	25	13-26996	LOCKWASHER, SECTOR GEAR SCREW	9	30
13-20730	WASHER, WAVE	23	14	13-26996	LOCKWASHER, SECTOR GEAR SCREW	13	37
13-20758	LOCKWASHER, CROSS SHAFT NUT	25	24	13-26996	LOCKWASHER, SHIELD SCREW	5	30
13-20766	WASHER, WAVE - SHEAVE SHAFT	3	8	14-20091	TAB WASHER, CENTER MAIN BEARING LOCKING SCREW	31	12
13-20770	WASHER, WAVE - PAWL RETAINER TENSION	3	12	14-20745	TAB WASHER, CROSS SHAFT BUSHING NUT	27	46
13-20846	WASHER, WAVE - RETAINING SCREW	39	11	14-20747	TAB WASHER, GEAR HOUSING STUD	41	19
13-20882	LOCKWASHER, CONDENSER SCREW	9	12	14-20749	TAB WASHER, PROPELLER NUT	45	25
13-21134	LOCKWASHER, CONDENSER SCREW	13	12				
13-21134	LOCKWASHER, FIXED CONTACT SCREW	13	7				
13-21144	LOCKWASHER, LEAD WIRE CLAMP SCREW	13	22				
13-26991	LOCKWASHER, CONTROL CAM SCREWS	11	39				
13-26991	LOCKWASHER, CONTROL CAM SCREWS	13	40				



# PARTS INDEX

Part Number	Description	Pg.	Ref. No.	Part Number	Description	Pg.	Ref. No.
14-20806	TAB WASHER, PINION GEAR	47	24	16-20581	STUD, CHOKE LEVER . . . . .	21	6
15-20473	SHIM, VERTICAL SHAFT TO BRACEKT (.010-20) . . . . .	25	6	16-20635	STUD, GEAR HOUSING TO DRIVE SHAFT HOUSING . . . . .	41	18
15-20475	SHIM, VERTICAL SHAFT BRACKET TO CRANKCASE (>005-10) . . . . .	25	5	16-20657	STUD, CLAMP BRACKET . . . . .	39	4
15-20514	SHIM, BALL BEARING (.002- 3-5-10) . . . . .	31	15	16-20694	STUD, CLAMP BRACKET TO SWIVEL BRACKET . . . . .	39	17
15-20610	SHIM, MAGNETO HOLD DOWN SPRING (.005-20- 25) . . . . .	9	--	16-20761	>STUD, PROTECTOR RIM MOUNTING . . . . .	7	20
15-20626	SHIM, STATOR PLATE TO CRANKCASE . . . . .	11	33	16-20761	STUD, TOP COWL MOUNTING (STARBOARD SIDE) . . . . .	3	3
15-20626	SHIM, STATOR PLATE TO CRANKCASE . . . . .	15	45	16-20792	STUD, GEAR HOUSING TO DRIVE SHAFT HOUSING . . . . .	47	4
15-20627	SHIM, HOLD DOWN SPRING TO CRANKCASE . . . . .	9	32	16-21451	STUD, FUEL FILTER . . . . .	7	7
15-20695	SHIM, CLAMP BRACKET TO SWIVEL BRACKET . . . . .	39	18	16-23334	STUD, COWL MOUNTING (1/2") . . . . .	7	29
15-20729	SHIM, STEEL (.010) . . . . .	23	11	16-23335	STUD, COWL MOUNTING (11/16") . . . . .	7	30
15-20767	SHIM, SHEAVE SHAFT . . . . .	3	9	16-23500	STUD, BALL JOINT CONNECTING . . . . .	25	13
15-20788	SHIM, BALL BEARING TO GEAR HOUSING (.002-3-5- 10) . . . . .	45	14	17-20000	PIN, GROOVE - CROSS SHAFT LEVER . . . . .	25	16
15-20803	SHIM, DRIVE SHAFT BALL BEARING (.010) . . . . .	47	-	17-20000	PIN, GROOVE - SECTOR GEAR . . . . .	25	1
15-20804	SHIM, BALL BEARING TO GEAR HOUSING (.002-3-5- 10) . . . . .	47	5	17-20032	PIN, DOWEL - LOCATING . . . . .	47	-
15-20822	SHIM, BALL BEARING TO REVERSE GEAR (.002-3-5- 10) . . . . .	45	18	17-20050	DOWEL PIN, REED LOCATING . . . . .	37	4
15-23097	SHIM, STATOR PLATE (.005- 10) . . . . .	15	--	17-20265	PIN, PUMP CARTRIDGE TO GEAR HOUSING . . . . .	47	11
15-23097	SHIM, STATOR PLATE TO CRANKCASE (.005-10) . . . . .	11	--	17-20375	PIN, GROOVE - CONNECTOR LOCATING . . . . .	5	4
15-24592	SHIM, BALL BEARING TO GEAR HOUSING (.002-3-5- 10) . . . . .	45	14	17-20392	DOWEL PIN, CENTER MAIN BEARING . . . . .	37	3
16-20075	STUD, TOP COWL MOUNTING (PORT SIDE)	3	4	17-20503	PIN, SWIVEL . . . . .	43	--
16-20466	STUD, CRANKCASE TO DRIVE SHAFT HOUSING . . . . .	31	7	17-20564	PIN, SPRING ANCHOR . . . . .	3	-
16-20467	STUD, CRANKCASE TO CRANKCASE BOTTOM . . . . .	31	8	17-20588A1	THROTTLE LEVER ASSEMBLY . . . . .	21	1
16-20468	STUD, CRANKCASE TO CARBURETOR . . . . .	31	6	17-20648	PIN, CHOKE ROD TO CHOKE LEVER . . . . .	21	-
16-20469	STUD, CRANKCASE TO COWL MOUNTING BRACKET . . . . .	31	5	17-20685	PIN, GROOVE - SHUT-OFF VALVE KNOB RETAINING . . . . .	19	--
16-20484	STUD, POWERHEAD TO DRIVE SHAFT HSG (SHORT) . . . . .	29	2	17-2071	PIN, GROOVE - SWIVEL PIN . . . . .	43	--
16-20525	STUD, CYLINDER BLOCK TO CRANKCASE . . . . .	29	4	17-20710	SWIVEL PIN . . . . .	39	24
16-20526	STUD, POWERHEAD TO DRIVE SHAFT HSG (LONG) . . . . .	29	3	17-20713	PIN, STOP . . . . .	27	51
16-20550	STUD, COWL MOUNTING PLATE TO BRACKET . . . . .	31	26	17-20728	PIN, GROOVE - BEVEL GEAR TO CROSS SHAFT . . . . .	27	37
				17-20728	PIN, GROOVE - PINION GEAR . . . . .	23	9
				17-20760	PIN, GROOVE - STEERING HANDLE SHAFT . . . . .	23	--
				17-20764	PIN, GROOVE - SHEAVE SHAFT RETAINING . . . . .	3	2
				17-20819	PIN, RETAINER . . . . .	3	-
				17-20853	PIN, CROSS . . . . .	45	8
				17-22439	PIN, FLOAT LEVER PINION . . . . .	17	3
				17-22685	PIN, SPRING ANCHOR . . . . .	3	-
				17-23333	RIVET, FASTENER TO COWL . . . . .	7	--
					PIN, CROSS - COWL MOUNTING STUDS . . . . .	7	31

# PARTS INDEX

Part Number	Description	Pg.	Ref. No.	Part Number	Description	Pg.	Ref. No.
17-23336	RIVET, FASTNER TO PROTECTOR RIM	7	19	23-26348	BUSHING, FUEL TANK BRACKET	7	35
17-23733	PIN, IMPELLER DRIVE	47	13	23-26348	BUSHING, TOP COWL STUD	29	22
17-24607	PIN, CROSS	45	8	24-20210	SPRING, REVERSE LOCK LEVER	39	32
17-28848A2	TILT LOCK PIN ASSEMBLY	39	8	24-20229	SPRING, CO-PILOT TO DRIVE SHAFT HOUSING	41	10
18-20180	COTTER PIN, CHOKE ROD RETAINING	21	-	24-20254	SPRING, CAM FOLLOWER PIN	45	5
18-20209	COTTER PIN, REVERSE LOCK LEVER	39	31	24-20477	SPRING, AIR LINE	33	45
18-21579	COTTER PIN, FLOAT RETAINING	17	-	24-20510	SPRING, SWIVEL PIN	43	--
18-25419A2	PROPELLER ASSEMBLY, 2 BLADE ALUMINUM - 11.6" PITCH	43	--	24-20569	APRING, MAGNETO HOLD DOWN	13	34
19-20011	WELCH PLUG, BODY CHANNEL	17	27	24-20569	SPRING, MAGNETO HOLD DOWN	9	27
19-20791	WELCH PLUG	47	2	24-20579	SPRING, CHOKE SHUTTER	21	3
20-23277A1	FUEL SHUT-OFF VALVE ASSEMBLY	19	--	24-20609	SPRING, FRICTION PLUG	9	25
22-20380	CONNECTOR, FUEL LINE TO RECEPTALCE	5	13	24-20609	SPRING, FRICTION PLUG	23	4
22-20380	CONNECTOR, FULE LINT TO CARBURETOR	19	--	24-20609	SPRING, FRICTION PLUG	27	39
22-20781	ELBOW, AIR LINE TO RECEPTACLE	5	12	24-20775	SPRING, STARTER REWIND	3	19
22-20781	ELBOW, FUEL LINE TO FILTER	5	18	24-20787	SPRING, FILTER CONNECTOR	5	17
22-20781	ELBOW, FULE LINE TO CARBURETOR	19	--	24-20856	SPRING, IDLE ADJUSTMENT SCREW	17	17
22-21685	SLEEVE, COMPRESSION - FUEL LINE	7	13	24-20869	SPRING, THROTTLE SHAFT RETURN	17	11
23-20216	SPACER, TILT STOP LEVER	39	12	24-20964	SPRING, DETENT	27	48
23-20571	BUSHING, BRACKET STUD	31	20	24-22063	SPRING, HIGH TENSION LEAD PROTECTOR	11	--
23-20618	SPACER, THROTTLE CONTROL CAM	11	35	24-23191	SPRING, THROTTLE SHAFT RETURN	17	11
23-20618	SPACER, THROTTLE CONTROL CAM	13	41	24-24200	SPRING, STARTER PAWL	3	--
23-20622	BUSHING, LEAD WIRES	13	29	25-20633	"O" RING, WATER INLET TUBE	41	5
23-20622	BUSHING, RUBBER - HIGH TENSION LEADS	11	40	25-20679	"O" RING, CONNECTOR RECEPTACLE	5	5
23-20638	BUSHING, LOWER	41	3	25-20812	SEAL, RUBBER - WATER PUMP CARTRIDGE	47	8
23-20658	SPACER, CLAMP BRACKET STUD	39	5	25-20826	RING, SEALING - RUBBER	45	19
23-20733	BUSHING, STEERING HANDLE TUBE	23	12	25-21706	"O" RING, CYLINDER BLOCK TO CRANKCASE BOTTOM	29	--
23-20743	BUSHING, CROSS SHAFT	25	33	25-22683	GROMMET, CHOKE ROD	7	32
23-20796A1	SHIFT SHAFT BUSHING ASSEMBLY	47	19	26-20070	OIL SEAL, SEALING RING (1" O.D.)	45	22
23-20973	BUSHING, UPPER	41	4	26-20070	OIL SEAL, WATER PUMP CARTRIDGE	47	10
23-21646	SPACER	25	--	26-20070	OIL SEAL, WATER PUMP COVER	47	16
23-22571	BUSHING, VERTICAL SHAFT BRACEKT	25	-	26-2036	OIL SEAL	47	20
23-24589A1	SHIFT SHAFT BUSHING ASSEMBLY	47	19	26-20465	OIL SEAL	31	2
23-26348	BUSHING, COWL MOUNTING STUD	31	25	26-20513	OIL SEAL	31	14
23-26348	BUSHING, COWL MOUNTING STUD	31	34	26-20948	OIL SEAL	31	14
23-26348	BUSHING, FUEL TANK AND COWL STUDS	29	10	26-24590	OIL SEAL	47	20
				26-25431	OIL SEAL, SEALING RING (1 1/8" O.D.)	45	22
				27-20030	GASKET, TRANSFER PORT COVER	29	20
				27-20039	GASKET, PRESSURE VALVE COVER TO CRANKCASE	33	40

# PARTS INDEX

Part Number	Description	Pg.	Ref. No.	Part Number	Description	Pg.	Ref. No.
27-20515	GASKET, CRANKCASE BOTTOM TO CRANKCASE	31	17	32-20576	FUEL LINE, RECEPTACLE TO FILTER	5	14
27-20516	GASKET, CRANKCASE BOTTOM TO PLATE (SEE NOTE BELOW)	31	--	32-20634	TUBE, WATER INLET	41	6
27-20531	GASKET, CYLINDER BLOCK COVER	29	16	32-21137	TUBE, LEAD WIRE	13	18
27-20536	GASKET, BAFFLE PLATE TO CYLINDER BLOCK	29	9	32-21611	FUEL LINE, RECEPTACLE TO CARBURETOR	5	--
27-20538	GASKET, BAFFLE PLATE TO COVER	29	7	32-23024	AIR LINE, PRESSURE RELIEF	33	--
27-20600	GASKET, MAGNETO COVER	9	5	32-23439A1	FUEL LINE ASSEMBLY	7	12
27-20642	GASKET, DRIVE SHAFT HOUSING TO POWERHEAD	41	15	33-20127	SPRAK PLUG	11	43
27-20848	GASKET, MAIN ADJUSTMENT SCREW GLAND	17	12	33-22805	SPARK PLUG	15	46
27-20851	GASKET, INELT SEAT	17	-	34-20035	REED, PRESSURE VALVE	33	41
27-21173	GASKET, CYLINDER BLOCK TO CRANKCASE	29	25	34-20036	STOP, REDD	33	42
27-23211	GASKET, FUEL FILTER TO FUEL TANK	7	5	34-20053	REED STOP, MAIN BEARING REED VALVE	37	7
27-23284	GASKET, CHANNEL PLUG SCREW	17	-	34-20888	REED SET, MATCHED - CENTER MAIN BEARING	37	6
27-23284	GASKET, INLET NEEDLE AND SEAT	17	-	35-23342	ELEMENT, FUEL FILTER	7	9
27-23331	GASKET, FUEL TANK CAP	7	2	35-23342A1	FUEL FILTER ASSEMBLY	7	4
27-24146	GASKET SET (MOTOR OVERHAUL)	1	-	36-23338A1	FUEL TANK CAP ASSEMBLY	7	1
28-20625	KEY, FLYWHEEL	9	--	37-23478	DECAL, FORWARD - NUETRAL - REVERSE	7	33
28-21614	KEY, FLYWHEEL	15	44	38-20748	SERIAL PLATE	39	--
29-20520	BEARING, NEEDLE - CRANKPIN	35	3	38-23483	SERIAL PLATE	7	38
29-20521	BEARING, NEEDLE - PISTON PIN	35	6	38-24411	SERIAL PLATE	39	--
30-20464	BEARING, BALL	31	4	39-20058	RING, PISTON	35	9
30-20464	BEARING, BALL - CRANKCASE BOTTOM	31	16	39-20992	RING, PISTON (.015 OVERSIZE)	35	-
30-20802	BEARING, BALL - DRIVE SHAFT	47	6	39-20993	RING, PISTON (.015 OVERSIZE)	35	-
30-20824	BEARING, BALL - FORWARD GEAR	45	11	39-21680	RING, PISTON	35	9
30-20824	BEARING, BALL - REVERSE GEAR	45	17	40-20057	LOCK RING, PISTON PIN	35	8
30-25398	BEARING, BALL - FORWARD GEAR	45	11	43-20471	GEAR, SECTOR - DRIVE	25	2
31-20069	BEARING, ROLLER - FORWARD GEAR	45	13	43-20611	GEAR, SECTOR	13	35
31-20069	BEARING, ROLLER - SEALING RING	45	21	43-20611	GEAR, SECTOR - MAGNETO DRIVE	9	28
31-20463	BEARING, ROLLER	31	3	43-20805	GEAR, PINION - DRIVE SHAFT	47	23
31-20790	BEARING, ROLLER - DRIVE SHAFT (7/8" O.D.)	47	3	43-20976	GEAR, FORWARD	45	12
31-21700	BEARING, ROLLER	31	3	43-20976A1	FORWARD GEAR ASSEMBLY	45	--
31-28157	BEARING, ROLLER - DRIVE SHAFT (15/16" O.D.)	47	3	43-20977	GEAR, REVERSE	45	15
32-20476	AIR LINE, PRESSURE VALVE COVER TO RECEPTACLE	33	44	43-20977A1	REVERSE GEAR ASSEMBLY	45	--
				43-23221	GEAR, PINION - STEERING HANDLE SHAFT	23	10
				43-24606	GEAR, FORWARD	45	12
				43-24606A1	FORWARD GEAR ASSEMBLY	45	--
				44-20828	PROPELLER SHAFT	45	9
				44-24797	PROPELLER SHAFT	45	9
				45-23730	DRIVE SHAFT	47	18
				46-20809A2	WATER PUMP CARTRIDGE ASSEMBLY	47	9
				47-20813	IMPELLER, WATER PUMP	47	12
				48-20325A4	PROPELLER (ON KH7 BELOW SERIAL #540510)	45	24
				48-20325A4	PROPELLER ASSEMBLY, 2 BLADE ALUMINUM - 10.5" PITCH	43	--

# PARTS INDEX

Part Number	Description	Pg.	Ref. No.	Part Number	Description	Pg.	Ref. No.
48-23647A1	PROPELLER ASSEMBLY, 2 BLADE ALUMINUM - 11"			398-733	INSULATOR, BREAKER POINT CONNECTION		
	PITCH .....	43	--		SCREW .....	13	-
48-24611A1	PROPELLER .....	45	24	398-739	FLYWHEEL .....	13	1
48-24611A1	PROPELLER ASSEMBLY, 2 BLADE ALUMINUM - 9.5"			398-770	STATOR PLATE AND CORE ASSEMBLY .....	13	4
	PITCH .....	43	--	398-770A1	STATOR PLATE ASSEMBLY, COMPLETE .....	13	-
48-25551A1	PROPELLER ASSEMBLY, 3 BLADE BRONZE - 9"			399-119	PLATE, STATOR .....	9	1
	PITCH .....	43	--	399-121A1	BREAKER ASSEMBLY .....	9	7
48-25662A1	PROPELLER ASSEMBLY, 2 BLADE BRONZE - 11"			399-123	CONDENSER .....	9	13
	PITCH .....	43	--	399-124	CLIP, WIRE SUPPORT .....	9	10
48-25663A1	PROPELLER ASSEMBLY, 2 BLADE BRONZE - 11.6"			399-125	COIL, IGNITION .....	9	14
	PITCH .....	43	--	399-126	CLIP, COIL .....	9	15
50-22791A1	STARTER CABLE ASSEMBLY .....	3	16	399-127	LEAD, HIGH TENSION (SHORT) .....	9	18
52-24615	CLUTCH, SLIDING .....	45	7	399-128	LEAD, HIGH TENSION (LONG) .....	9	17
52-25609	CLUTCH, SLIDING .....	45	7	399-129	INSULATOR, HIGH TENSION LEAD .....	9	16
53-20820	RING, RETAINING - CROSS PIN .....	45	10	399-130	CLAMP, HIGH TENSION LEAD .....	9	19
53-24596	RING, RETAINING - CROSS PIN .....	45	10	399-131	COVER, MAGNETO .....	9	2
54-20284	CLIP, SAFETY CHAIN .....	39	--	399-132	RING, LOCK .....	9	4
54-20534	CLIP, LEAD WIRE .....	29	14	399-751	PLATE, STATOR .....	9	1
54-20830	CLAMP, HIGH TENSION LEAD .....	29	--	402-48	CRANKSHAFT .....	37	1
54-21730	CLIP, LEAD WIRE .....	13	24	502-59A1	CENTER MAIN BEARING ASSEMBLY .....	37	2
54-22976	CLAMP, FUEL LINE .....	5	--	601-62A2	CONNECTING ROD ASSEMBLY .....	35	1
54-22976	CLAMP, HOSE .....	33	--	701-142A1	PISTON AND PISTON PIN ASSEMBLY (.015 OVERSIZE) .....	35	-
90-26117	KH7, MARK 15 AND MARK 20 PARTS LIST .....	1	-	708-447A1	PISTON AND PISTON PIN ASSEMBLY .....	35	7
91-20065	INSERT, HELICOIL .....	29	-	714-497A1	PISTON AND PISTON PIN ASSEMBLY (.015 OVERSIZE) .....	35	-
104-87	COWL, STARBOARD .....	5	23	718-1193A2	PISTON AND PISTON PIN ASSEMBLY .....	35	7
104-88A2	COWL ASSEMBLY, STARBOARD .....	5	23	802-40A1	CYLINDER BLOCK ASSEMBLY .....	29	1
105-89A1	TOP COWL ASSEMBLY .....	3	1	806-275A3	CYLINDER BLOCK ASSEMBLY .....	29	1
106-145A1	COWL ASSEMBLY, PORT ..	5	1	902-42A1	CRANKCASE ASSEMBLY ..	31	1
106-90A1	COWL ASSEMBLY, PORT ..	5	1	917-478	CRANKCASE .....	31	-
116-344A2	STARTER ASSEMBLY, COMPLETE .....	3	-	917-478A1	CRANKCASE ASSEMBLY ..	31	1
116-344A2	STARTER HOUSING ASSEMBLY .....	3	-	1002-63A1	CYLINDER BLOCK COVER ASSEMBLY .....	29	11
139-643A1	COWL ASSEMBLY .....	7	27	1008-509A1	CYLINDER BLOCK COVER ASSEMBLY .....	29	11
201-77	FLYWHEEL .....	9	--	1103-49A1	CRANKCASE BOTTOM ASSEMBLY (SEE NOTE BELOW) .....	31	13
301-73	MAGNETO ASSEMBLY .....	9	-	1103-50A1	CRANKCASE BOTTOM ASSEMBLY .....	31	13
315-764A1	MAGNETO ASSEMBLY .....	9	-	1216-630	TANK, FUEL .....	7	3
316-771	MAGNETO ASSEMBLY .....	13	--	1300-67	CARBURETOR ASSEMBLY, COMPLETE .....	17	1
398-174	BREAKER POINT ASSEMBLY	13	5				
398-177	WIRE, LEAD (BOTTOM) .....	13	32				
398-178	WIRE, LEAD (TOP) .....	13	31				
398-182	CLAMP, PLASTIC - LEAD WIRE .....	13	19				
398-241	CAM .....	13	30				
398-713	CONDENSER .....	13	10				
398-716	COIL, IGNITION .....	13	13				
398-720	CLAMP, LEAD WIRE .....	13	17				
398-723	WICK, FELT .....	13	20				
398-732	CLIP, PRIMARY LEAD .....	13	16				

# PARTS INDEX

Part Number	Description	Pg.	Ref. No.	Part Number	Description	Pg.	Ref. No.
1317-595	CARBURETOR ASSEMBLY, COMPLETE .....	17	1	1408-246A2	CLAMP BRACKET ASSEMBLY .....	39	1
1399-101	LEVER, FLOAT (UPPER) ...	17	5	1501-78A1	DRIVE SHAFT HOUSING ASSEMBLY .....	41	1
1399-102	LEVER, FLOAT (LOWER) ...	17	4	1602-1439A1	GEAR HOUSING ASSEMBLY	47	1
1399-107	SHUTTER, THROTTLE ....	17	25	1602-994A11	GEAR HOUSING ASSEMBLY, COMPLETE .....	45	1
1399-108	PACKING, MAIN ADJUSTMENT SCERW ..	17	14	1602-994A11	GEAR HOUSING ASSEMBLY, COMPLETE .....	47	-
1399-110A1	FLOAT ASSEMBLY .....	17	2	1605-808A1	GEAR HOUSING ASSEMBLY (SEE NOTE BELOW) ....	47	1
1399-112	SHAFT, THROTTLE .....	17	10				
1399-113	SCREW, MAIN ADJUSTMENT	17	16				
1399-1138	INLET NEEDLE, SEAT AND GASKET .....	17	6				
1399-118	REPAIR PARTS KIT (1321-612 & 1300-67) .....	19	--				
1399-118	REPAIR PARTS KIT (CARBURETOR 1321-612 AND 1300-67) .....	1	-				
1399-215	SCREEN, INLET CONNECTION .....	17	--				
1399-531	SHAFT, THROTTLE .....	17	10				
1399-570	FLOAT .....	17	2				
1399-572	TUBE, BY-PASS .....	17	26				
1399-573	SHUTTER, THROTTLE ....	17	25				
1399-585	COVER, FLOAT BOWL ....	17	20				
1399-587	GASKET AND PACKING SEAT (1317-595) .....	19	--				
1399-587	GASKET AND PACKING SET (CARBURETOR 1317-595)	1	-				
1399-604	SCREW, MAIN ADJUSTMENT	17	16				
1399-605	INLET NEEDLE AND SEAT .	17	6				
1399-619	SCREW, IDLE ADJUSTMENT	17	18				
1399-927	COVER, FLOAT BOWL ....	17	20				
1399-94	GLAND, MAIN ADJUSTMENT SCREW .....	17	13				
1399-940	REPAIR PARTS KIT (1317-595( .....	19	--				
1399-940	REPAIR PARTS KIT (CARBURETOR 1317-595)	1	-				
1399-95	LEAD SHOT, BODY CHANNEL .....	19	--				
1399-96	TUBE, BY-PASS .....	17	26				
1399-961	GASKET AND PACKING SEAT (1321-612 & 1300-67) .....	19	--				
1399-961	GASKET AND PACKING SET (CARBURETOR 1321-612 AND 1300-67) .....	1	-				
1399-97	LEVER, THROTTLE STOP ..	17	9				
1399-99	GASKET, FLOAT BOWL COVER .....	17	19				
1400-21A1	CLAMP BRACKET ASSEMBLY .....	39	1				
1400-273A1	CLAMP BRACKET ASSEMBLY .....	39	1				
1402-66A1	SWIVEL BRACKET ASSEMBLY .....	39	20				
1402-86A1	SWIVEL BRACKET ASSEMBLY .....	39	20				
1406-798A1	SWIVEL BRACKET ASSEMBLY .....	39	20				