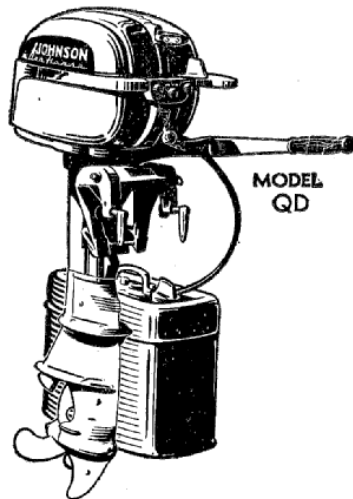


# PARTS CATALOG

FOR

## Model QD-10



### JOHNSON MOTORS

Waukegan, Illinois, U. S. A.

**All Prices Subject To Change Without Notice**

# Warranty

We warrant each new outboard motor of our manufacturer to be free from defects in material and workmanship under normal use and service, our obligation under this warranty being limited to making good at the factory any part or parts thereof which shall, within three (3) months after delivery of such motor to original purchaser, be returned to us with transportation charges prepaid, and which our examination shall disclose to our satisfaction to have been thus defective; this warranty being expressly in lieu of all other warranties and representations expressed or implied and of all other liabilities in connection with the sale or use of any motors.

This warranty shall not apply to any motor which shall have been repaired or altered outside the factory in any way so as to affect its stability, nor which has been subject to misuse, negligence or accident. Warranty is void if motor is used for racing purpose.

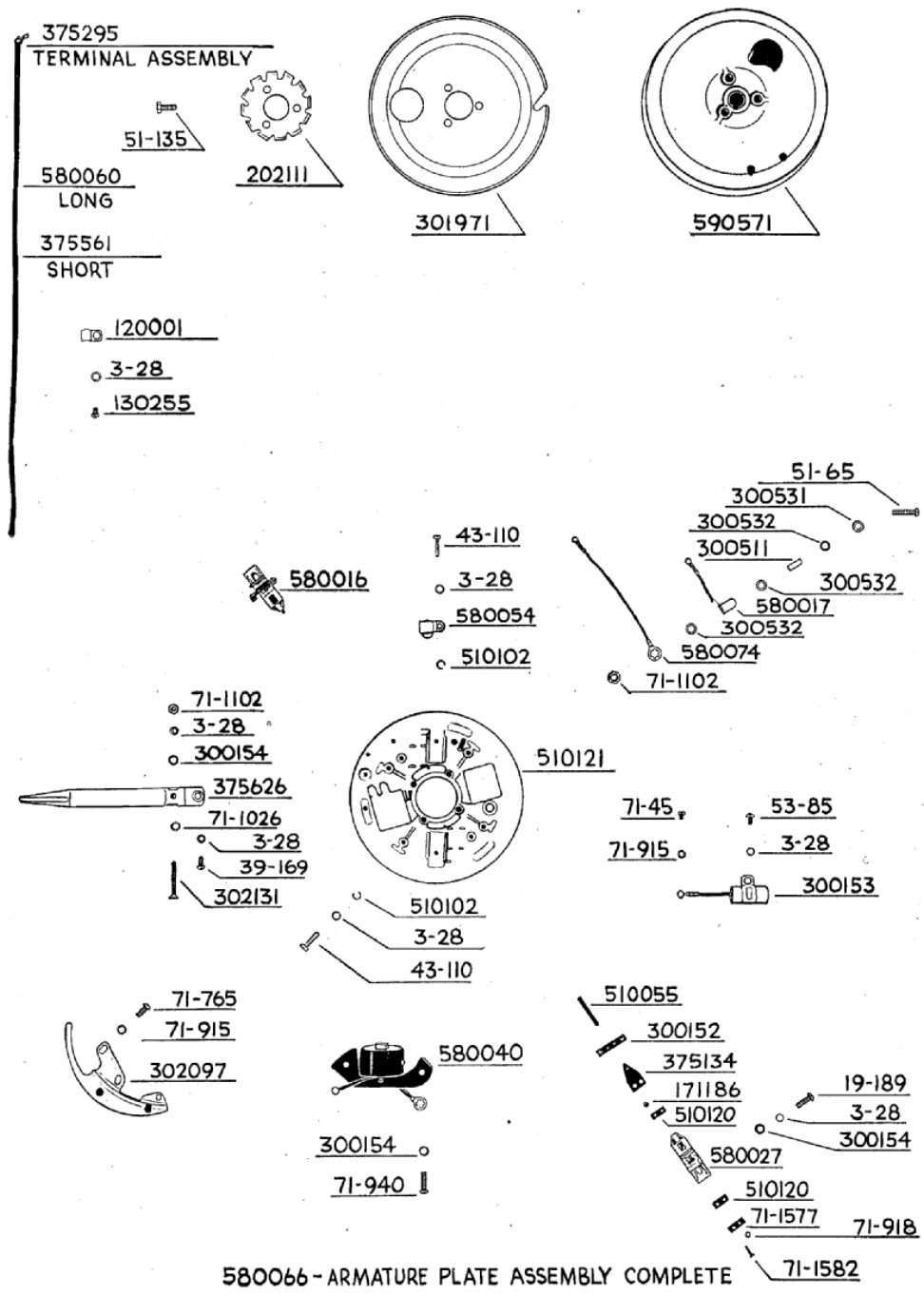
We make no warranty in respect to trade accessories not of our manufacture; inasmuch as they are usually warranted separately by their respective manufacturers.

Because of the usual strains and accidents to which such products may be subjected, we make no warranty of either material or workmanship in racing outboard motors or any of our products when used for racing.

Claims must be entered on motors or motor parts returned to the factory for inspection, repair or replacement. Request form No. SE-16 from local Johnson Dealer or Service Station. This form should be filled in, signed by the motor owner and dealer or service station representatives and mailed to the the factory with returned material, TRANSPORTATION CHARGES PREPAID.

Be Sure to Specify Model and Serial Number of Motor When Ordering Parts

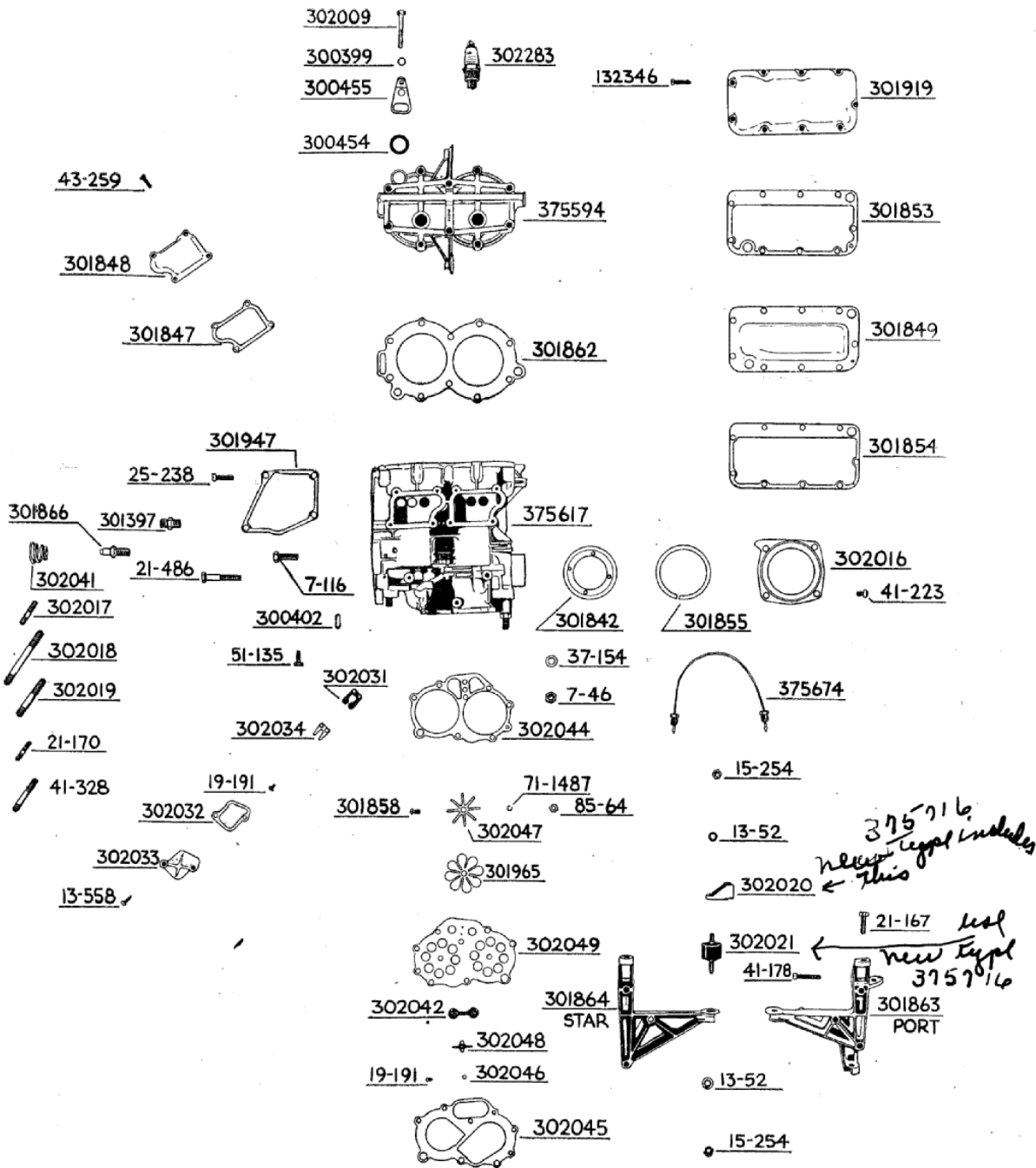
## MAGNETO



Order All Parts from Nearest Service Station or Dealer

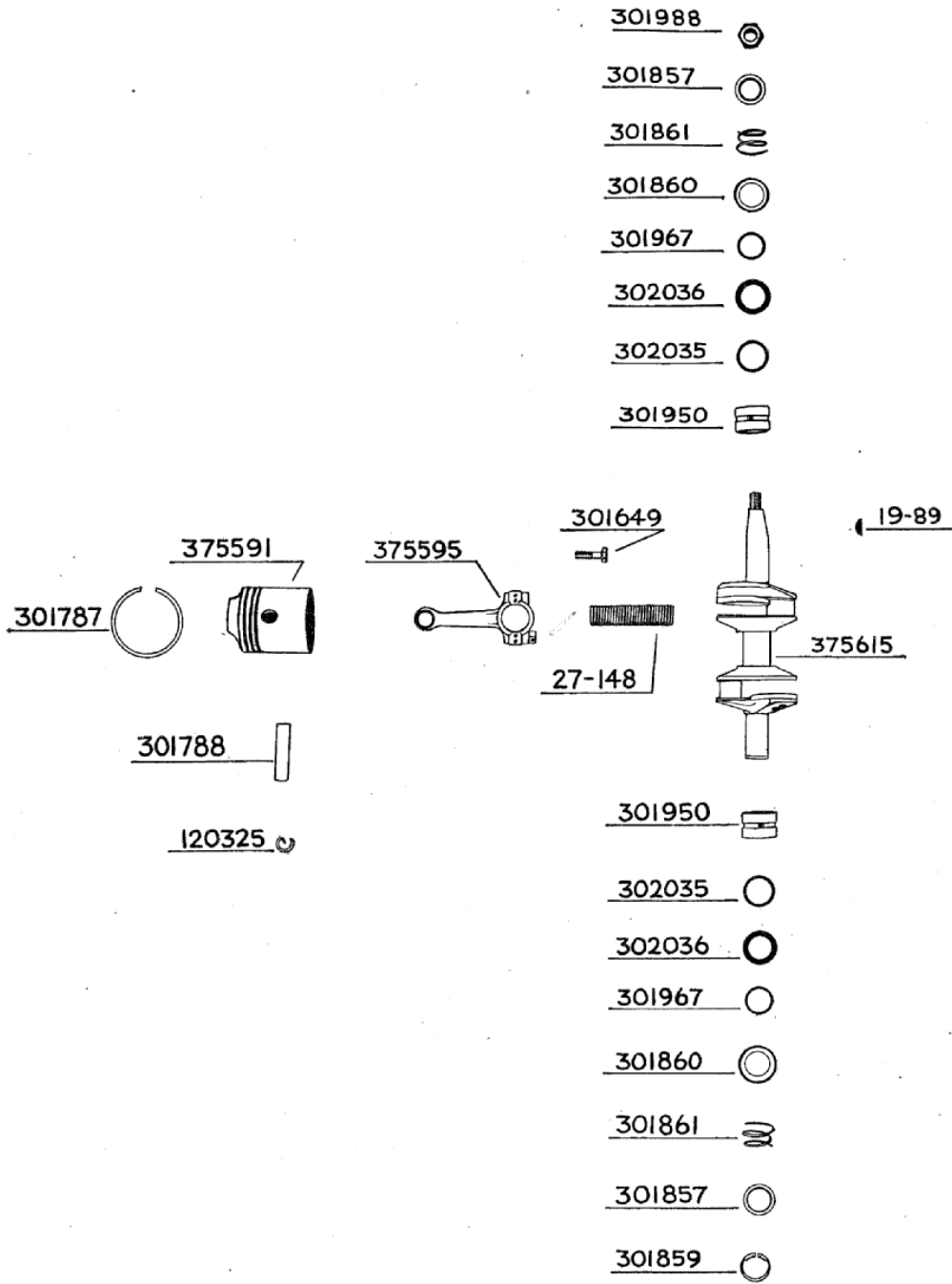
Be Sure to Specify Model and Serial Number of Motor When Ordering Parts

### POWER HEAD



Order All Parts from Nearest Service Station or Dealer

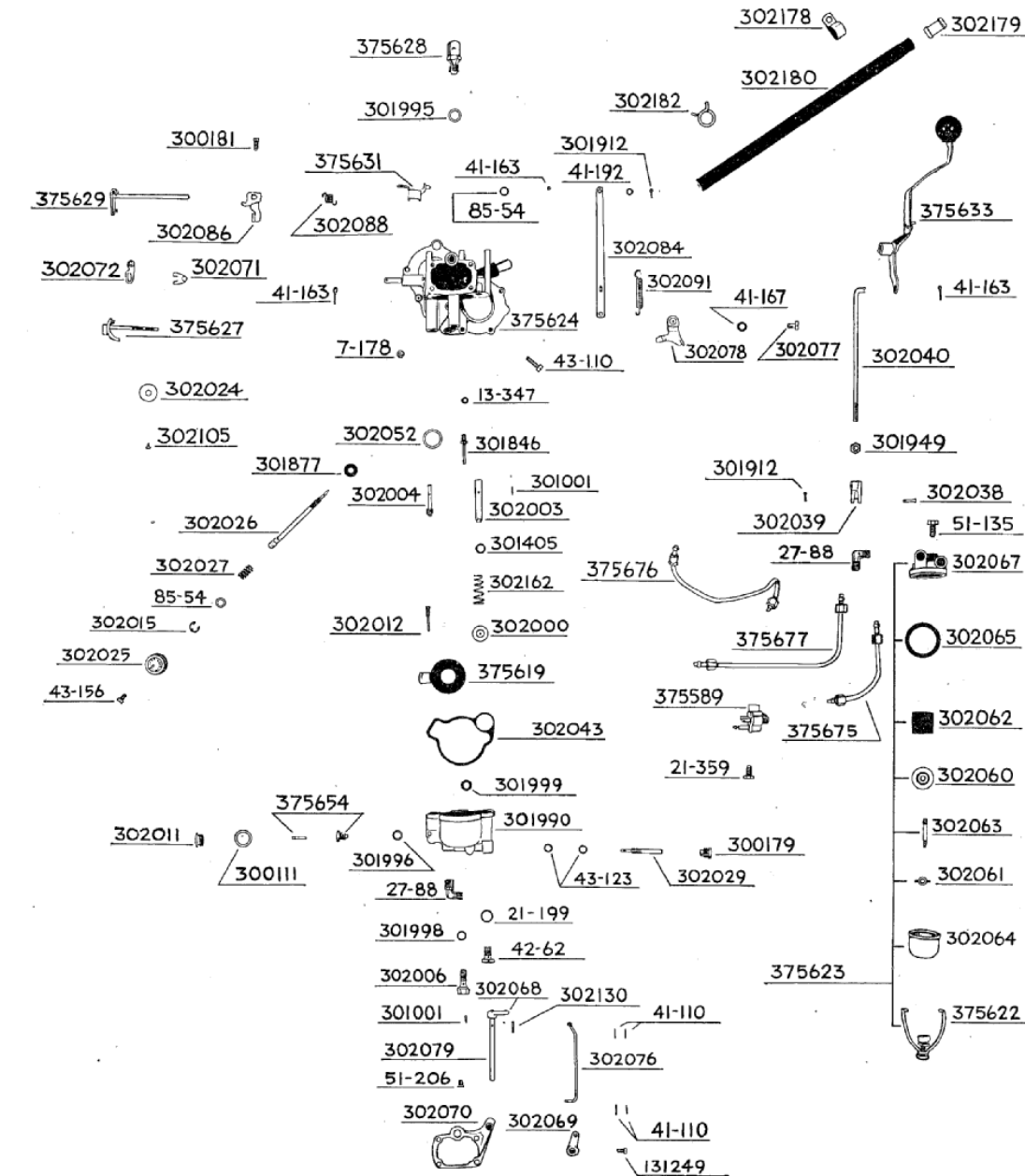
**POWER HEAD**



Order All Parts from Nearest Service Station or Dealer

Be Sure to Specify Model and Serial Number of Motor When Ordering Parts

## CARBURETOR



375680·CARBURETOR BODY-VALVE  
AND VENTURI ASSEMBLY

375670·CARBURETOR ASSEMBLY COMPLETE

302025

43-156

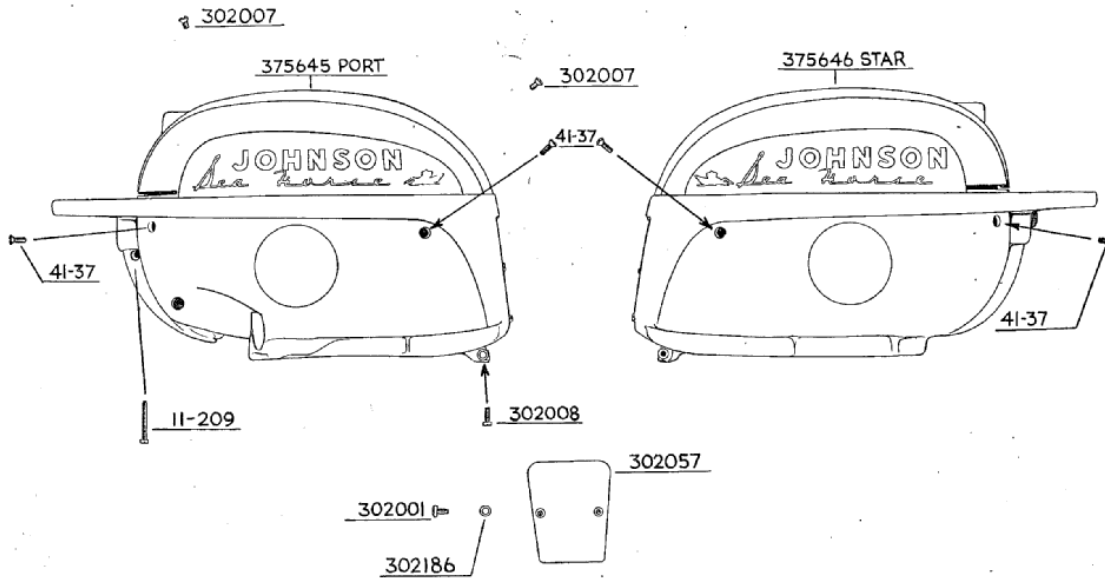
375683·FLOAT BOWL ASSEMBLY

375623·GASOLINE FILTER ASSEMBLY

Order All Parts from Nearest Service Station or Dealer

Be Sure to Specify Model and Serial Number of Motor When Ordering Parts

### SHROUDS



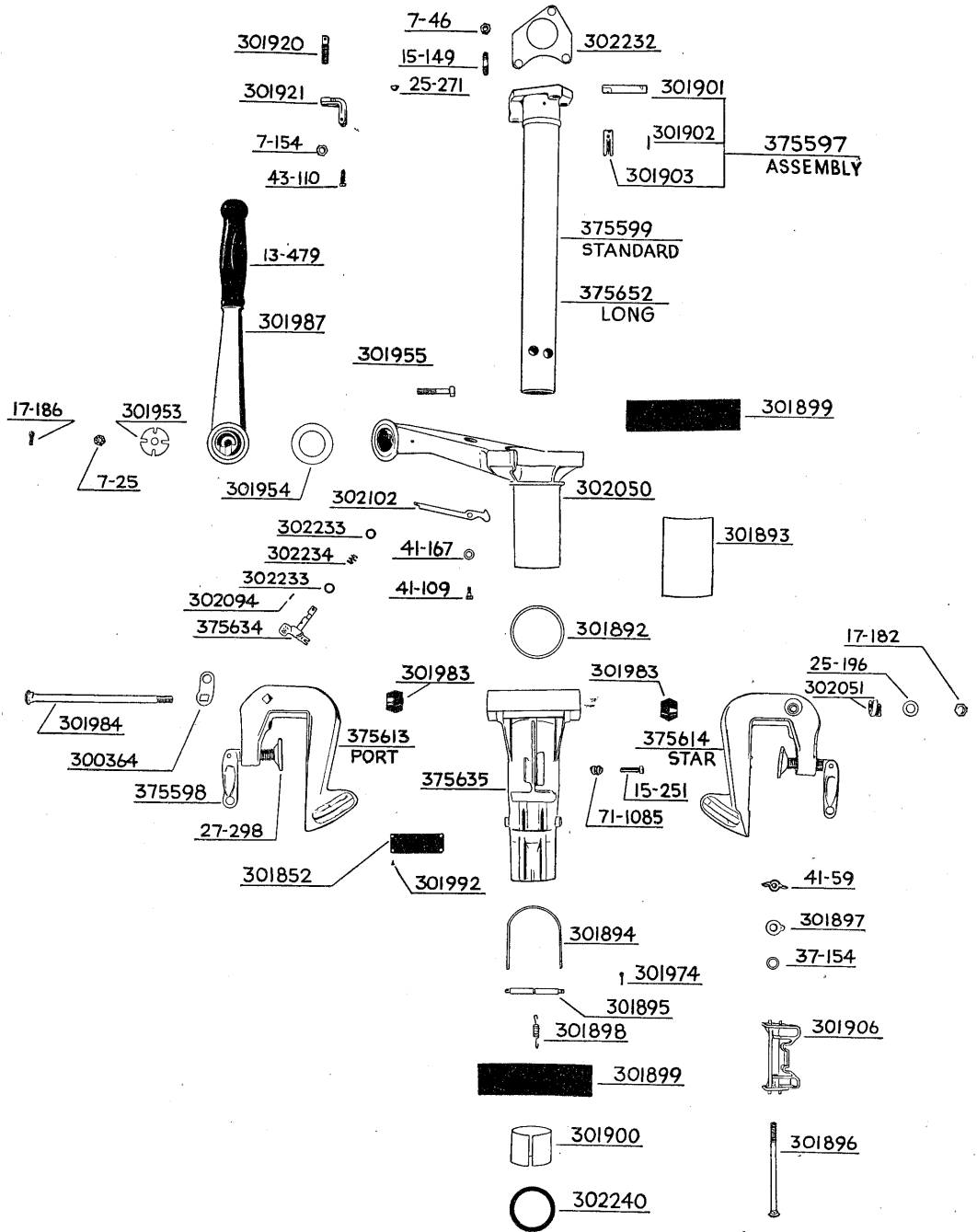
#### Notes:

*order washers # 41-338 for screw 41-37 on shroud.  
new style rubber mounts  
(4 used on DD) no 375716 mount assembly*

Order All Parts from Nearest Service Station or Dealer

Be Sure to Specify Model and Serial Number of Motor When Ordering Parts

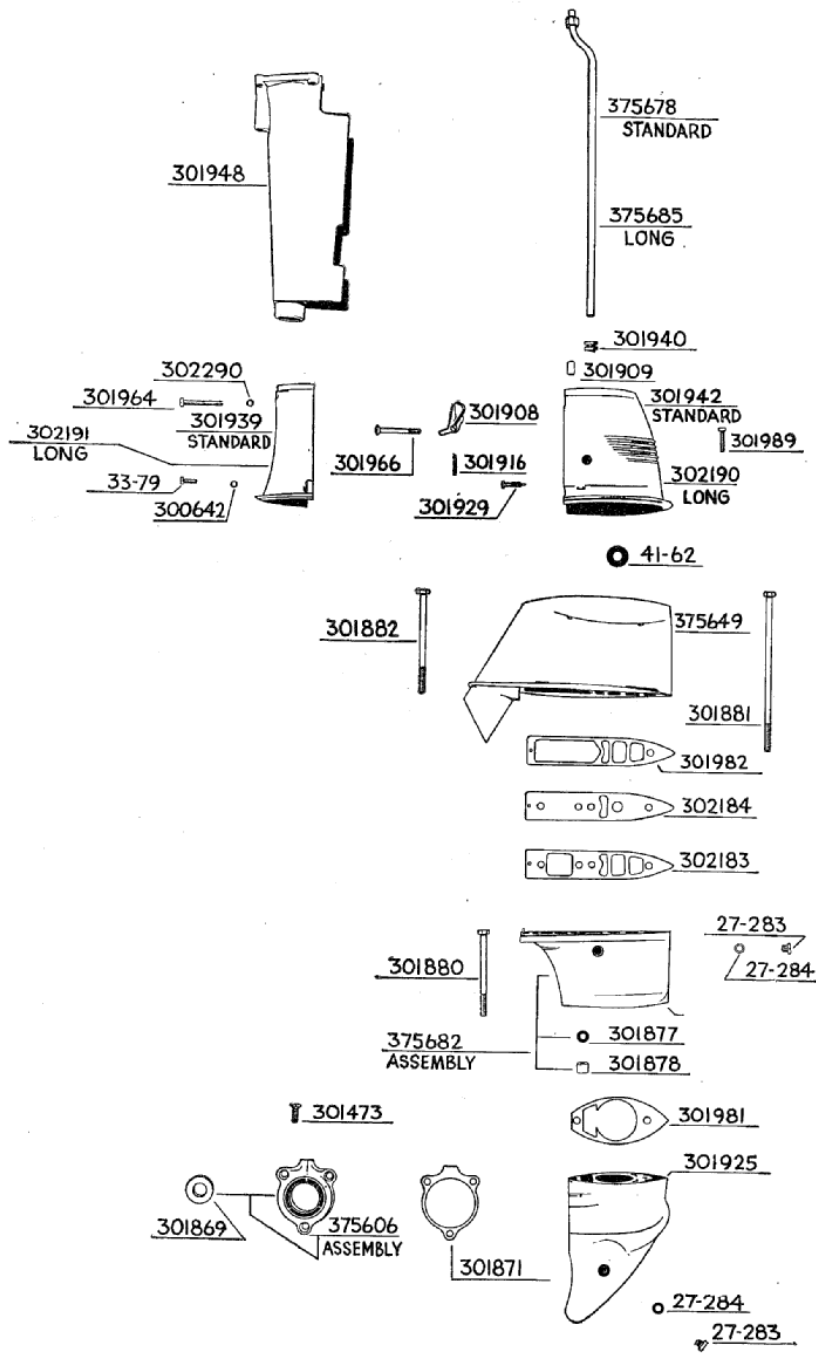
### LOWER UNIT



Order All Parts from Nearest Service Station or Dealer

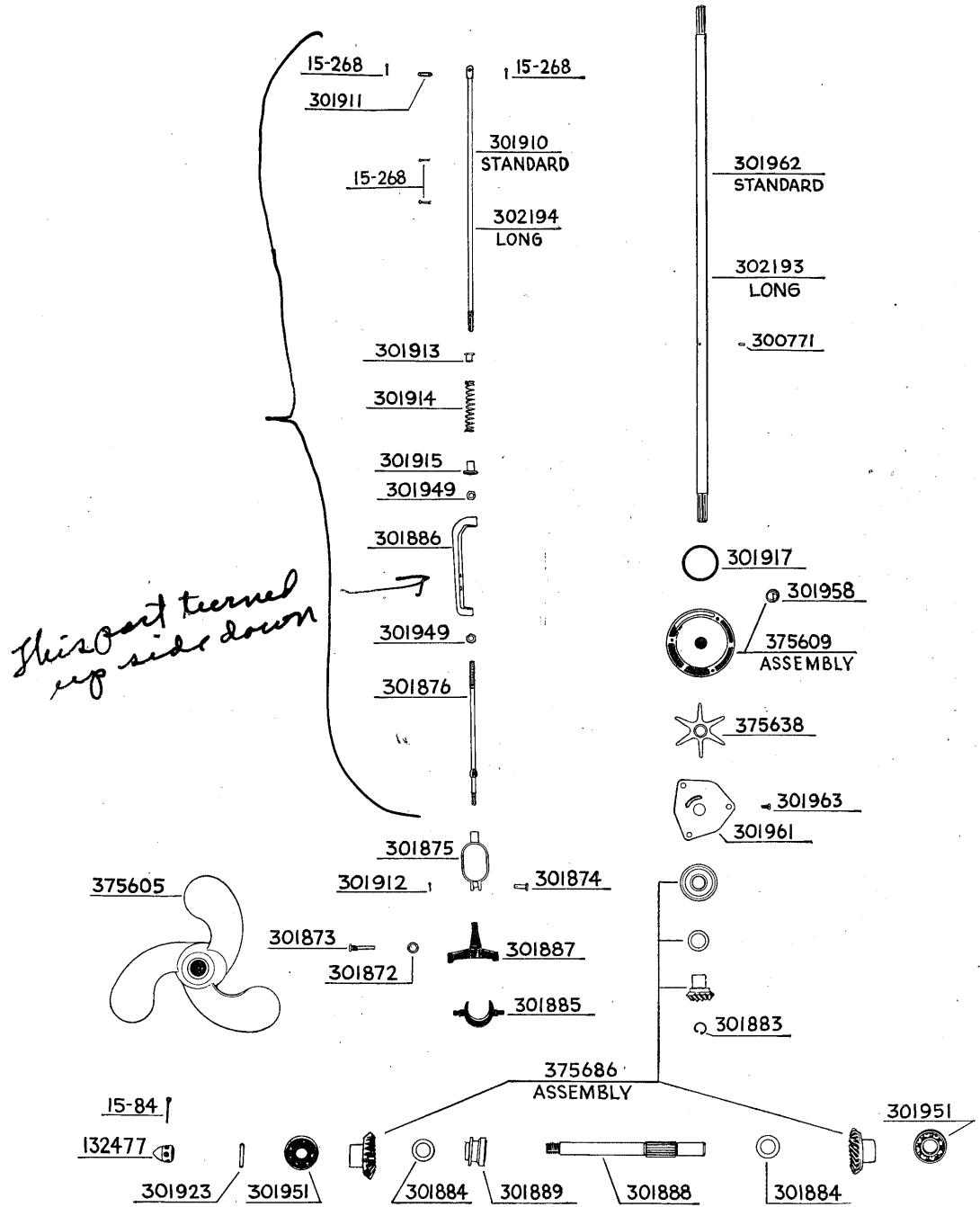


**LOWER UNIT**



Order All Parts from Nearest Service Station or Dealer


LOWER UNIT

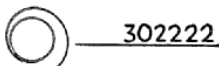
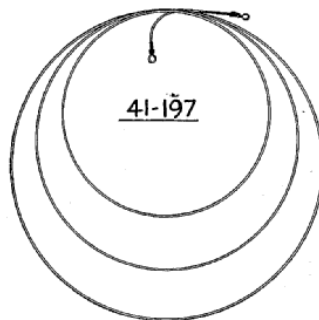
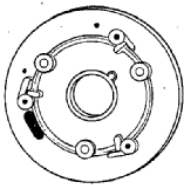
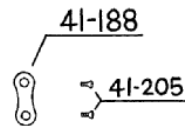
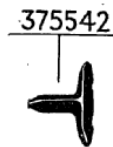
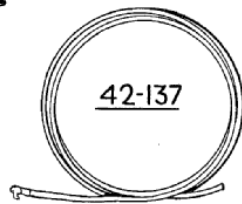
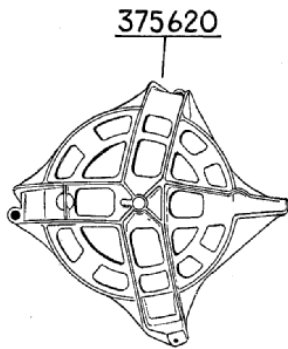


Order All Parts from Nearest Service Station or Dealer

Be Sure to Specify Model and Serial Number of Motor When Ordering Parts

### STARTER ASSEMBLY

302103 



202317

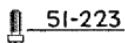
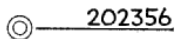
302104



276643

202155

71-1026

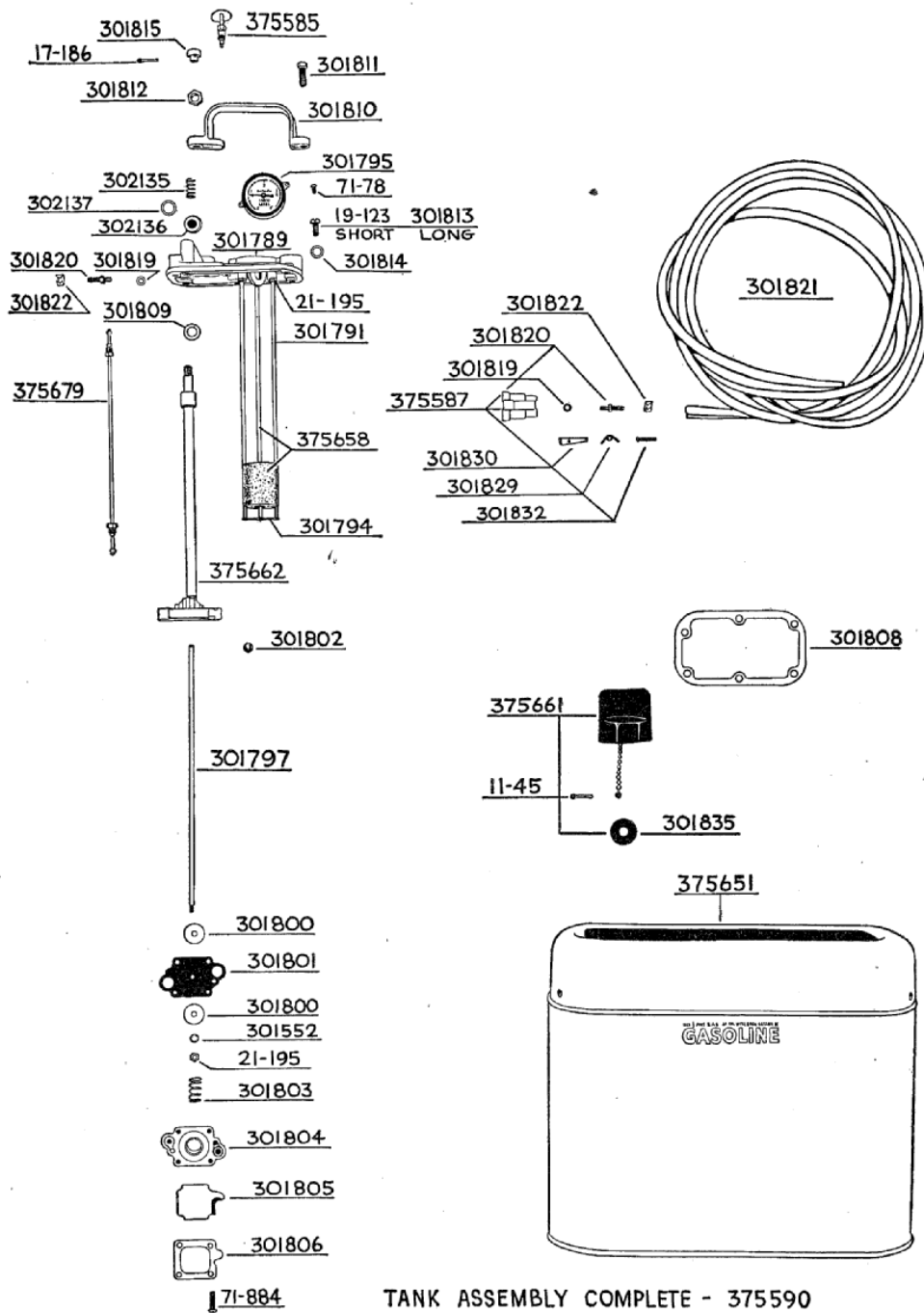


STARTER ASSEMBLY COMPLETE - 375681

Order All Parts from Nearest Service Station or Dealer

Be Sure to Specify Model and Serial Number of Motor When Ordering Parts

### MILE MASTER FUEL TANK



Order All Parts from Nearest Service Station or Dealer

Be Sure to Specify Model and Serial Number of Motor When Ordering Parts

PART NO. 3-28 TO 41-188 INCL.

**Numeral Parts List**

Part No.	No. required per motor	Name of Part	List Price per Piece
3-28	12	Lockwasher - Condenser, Lead Clamp, Lead Armature Plate, Breaker and Timing Lever Mounting.....	.025
7-25	1	Nut - Muffler Bolt.....	.10
7-46	7	Nut - Flange to Power Head and Cylinder to Crankcase Assem.	.025
7-116	1	Screw - Flange to Cylinder - Short.....	.15
7-154	1	Nut - Clamping Lever Extension.....	.05
7-178	1	Core Plug - Carburetor Body.....	.15
11-45	1	Cotter Pin - Chain to Tank.....	.05
11-209	1	Screw - Shroud - Port to Star - Front.....	.15
13-52	8	Lockwasher - Rubber Mounting.....	.025
13-347	1	Gasket - Jet - Carburetor.....	.025
13-479	1	Rubber Grip.....	.50
13-558	2	Screw - Leaf Valve Cover to Crankcase.....	.05
15-84	1	Cotter Pin - Propeller Nut.....	.025
15-149	1	Stud - Flange to Power Head.....	.10
15-251	1	Screw - Swivel Bracket.....	.025
15-254	8	Nut - Rubber Mounting.....	.025
15-268	4	Cotter Pin - Shift Rod and Shift Rod Pin.....	.025
17-182	1	Nut - Tilting Shaft Bolt.....	.15
17-186	2	Cotter Pin - Push Button - Gas Tank and Steering Handle..... Screw .....	.025
19-89	1	Key - Woodruff #6 - Crankshaft.....	.025
19-123	5	Screw - Cover - Short.....	.025
19-189	2	Screw - Breaker Bracket to Plate.....	.025
19-191	4	Screw - Leaf Valve Cover to Crankcase - Check Valve to Leaf Plate .....	.05
21-167	3	Screw - Starter Housng to Mounting Bracket.....	.025
21-170	2	Stud - Crankcase to Cylinder.....	.10
21-195	3	Nut - Push Rod and Support Rod.....	.10
21-199	1	Washer - Check Valve - Carburetor.....	.025
21-359	1	Screw - Fuel Connector to Bracket.....	.025
21-486	1	Screw - Flange to Cylinder - Long.....	.05
25-196	1	Washer - Tilting Shaft.....	.05
25-238	4	Screw - Exhaust Tube.....	.05
25-271	1	Key - Clamping Lever to Shaft.....	.05
27-88	3	Elbow - Gasoline Line - Filter Body.....	.20
27-148	58	Needle - Connecting Rod Bearing.....	.025
27-283	2	Plug - Oil.....	.25
27-284	2	Washer - Oil Plug.....	.025
27-298	2	Swivel Plate - Clamp Screw.....	.15
33-79	2	Screw - Cover to Upper Pump Housing.....	.05
37-154	7	Washer - Cylinder and Crankcase Studs - Thrust Socket Bolt	.025
39-169	1	Screw - Timing Lever.....	.025
41-37	4	Screw - Shroud to Bracket.....	.05
41-59	1	Wing Nut - Thrust Socket Bolt.....	.40
41-62	1	Seal - Driveshaft.....	.55
41-109	1	Screw - Lever to Steering Bracket.....	.10
41-110	4	Pin - High Speed Link.....	.025
41-163	3	Cotter Pin - Shift Lever, Cross Shaft - Shift and Lever Link to Shift Lever.....	.025
41-167	2	Bow Washer - Bell Crank - Primer.....	.025
41-178	6	Screw - Bracket to Power Head.....	.025
41-188	1	Clamp Plate - Rope Handle.....	.05

Order All Parts from Nearest Service Station or Dealer

Be Sure to Specify Model and Serial Number of Motor When Ordering Parts

**PART NO. 41-192 TO 300402 INCL.**

Part No.	No. required per motor	Name of Part	List Price per Piece
41-192	1	Washer - Cross Shaft Pin.....	.025
41-197	1	Starter Spring.....	1.00
41-205	2	Screw - Clamp Plate to Handle.....	.025
41-223	4	Screw - Armature Plate Support.....	.05
41-328	1	Stud - Crankcase to Cylinder.....	.10
42-62	1	Check Valve.....	1.00
42-137	1	Starter Cord & Anchor.....	1.75
43-110	12	Screw - Carburetor Body to Crankcase - Clamping Lever - Armature Plate Mounting.....	.025
43-123	2	Packing - High Speed Needle Valve.....	.025
43-156	2	Screw - Adjusting Knob.....	.025
43-259	8	Screw - Bypass Cover.....	.025
51-65	1	Screw - Stop Switch.....	.025
51-135	9	Screw - Crankcase to Cylinder - Ratchet and Pulley to Dome and Filter to Bracket.....	.05
51-206	4	Screw - Control Shaft Bracket.....	.025
51-223	1	Screw - Spindle to Starter Housing.....	.05
53-85	2	Screw - Condenser to Plate.....	.025
71-45	4	Screw - Bar Nut - Breaker.....	.025
71-78	2	Screw - Fuel Gage.....	.025
71-765	3	Screw - Cam to Armature Plate.....	.025
71-884	4	Screw - Fuel Pump.....	.10
71-915	3	Lockwasher - Cam to Armature Plate.....	.025
71-918	4	Lockwasher - Bar Nut.....	.025
71-940	3	Screw - Coil Mounting.....	.025
71-1026	4	Lockwasher - Timing Lever Screw and Retainer Screw.....	.025
71-1085	1	Spring - Swivel Bracket.....	.10
71-1102	2	Nut - Coil and Stop Switch Mounting Screw - Breaker.....	.025
71-1487	2	Lockwasher - Leaf to Leaf Plate Screw.....	.05
71-1577	2	Bar Nut - Breaker.....	.10
71-1582	4	Screw - Breaker.....	.025
85-54	2	Washer - Cross Shaft and Slow Speed Needle Valve.....	.025
85-64	2	Nut- Leaf to Leaf Plate Screw.....	.025
120001	2	Clamp - High Tension Lead.....	.05
120325	4	Lockring- Piston Pin.....	.025
130255	2	Screw - High Tension Lead Clamp.....	.025
131249	1	Screw - Slow Speed Stop.....	.10
132346	9	Screw - Exhaust Cover to Cylinder.....	.025
132477	1	Nut - Propeller.....	.50
171186	4	Insulation Bushing.....	.025
202111	1	Ratchet - Starter.....	.25
202114	1	Equalizer Cup.....	.20
202155	3	Spring - Equalizer Cup.....	.05
202317	3	Retainer - Starter Pawl.....	.05
202356	1	Washer - Starter Spindle.....	.05
202470	3	Starter Pawl.....	.10
276643	1	Spindle and Pin Assembly.....	.60
300111	1	Gasket -Float Valve Seat.....	.10
300152	2	Bar Washer - Breaker Spring.....	.025
300153	2	Condenser.....	.80
300154	6	Washer - Breaker Mounting Screw.....	.025
300179	1	Packing Nut - Carburetor.....	.10
300181	1	Screw - Barrel Valve Cover.....	.10
300364	1	Link - Safety Chain.....	.05
300399	10	Washer - Cylinder Head Screw.....	.025
300402	2	Taper Pin - Cylinder to Crankcase.....	.05

Order All Parts from Nearest Service Station or Dealer

Be Sure to Specify Model and Serial Number of Motor When Ordering Parts

**PART NO. 300454 TO 301859 INCL.**

Part No.	No. required per motor	Name of Part	List Price per Piece
300454	1	Grommet - High Tension Lead Anchor.....	.05
300455	1	Anchor - High Tension Lead.....	.05
300511	1	Insulation - Stop Switch.....	.05
300531	1	Cup Washer - Stop Switch.....	.025
300532	3	Washer - Stop Switch.....	.05
300642	2	Lockwasher - Cover to Upper Pump Housing Screw.....	.025
300771	1	Pin - Eccentric.....	.025
301001	2	Groove Pin - Control Shaft Arm and Plunger.....	.15
301397	1	Straight Connector - Cylinder.....	.20
301405	1	Washer - Plunger.....	.05
301473	3	Screw - Gearcase Head.....	.05
301552	1	Lockwasher - Push Rod.....	.05
301649	4	Screw - Connecting Rod.....	.20
301787	6	Piston Ring.....	.30
301788	2	Wrist Pin.....	.30
301789	1	Cover - Gasoline Tank.....	3.25
301791	2	Support Rod - Fuel Gauge.....	.40
301794	1	Support Plate - Fuel Gage.....	.05
301795	1	Indicator Assembly - Fuel Gage.....	2.00
301797	1	Push Rod - Fuel Gage.....	.80
301800	2	Support - Diaphragm - Fuel Pump.....	.05
301801	1	Diaphragm - Fuel Pump.....	.20
301802	2	Disc Valve - Inlet and Outlet - Fuel Pump.....	.05
301803	1	Spring - Fuel Pump.....	.05
301804	1	Housing - Diaphragm - Lower - Fuel Pump.....	.75
301805	1	Screen - Fuel Pump.....	.15
301806	1	Plate - Screen - Fuel Pump.....	.10
301808	1	Gasket - Cover to Gasoline Tank.....	.50
301809	1	Gasket - Push Rod Guide.....	.025
301810	1	Handle - Gasoline Tank.....	.55
301811	1	Screw - Handle to Gasoline Tank.....	.15
301812	1	Nut - Push Rod Guide.....	.15
301813	1	Screw - Cover - Gasoline Tank - Long.....	.025
301814	6	Washer - Cover Screw - Gasoline Tank.....	.025
301815	1	Push Button - Fuel Pump.....	.15
301819	4	Washer - Nipple and Connector.....	.025
301820	4	Nipple - Hose - Cover and Connector.....	.20
301821	1	Hose - Gasoline Tank to Connector.....	4.50
301822	4	Hose Clamp.....	.025
301829	1	Spring - Lock - Fuel Connector.....	.025
301830	1	Lock - Fuel Connector.....	.15
301832	1	Rivet - Lock.....	.025
301835	1	Gasket - Filler Cap - Gasoline Tank.....	.05
301842	1	Retaining Ring - Armature Plate.....	.45
301846	1	Jet - Slow Speed - Carburetor.....	.50
301847	2	Gasket - Bypass Cover.....	.05
301848	2	Cover - Bypass.....	.30
301849	1	Cover - Exhaust - Inner.....	.80
301852	1	Name Plate.....	.25
301853	1	Gasket - Inner to Outer Exhaust Cover.....	.15
301854	1	Gasket - Inner Exhaust Cover to Cylinder.....	.15
301855	1	Wave Washer - Armature Plate Support.....	.55
301857	2	Retaining Washer - Outer - Seal Spring.....	.05
301858	2	Screw - Leaf Attaching.....	.05
301859	1	Retaining Ring - Seal Spring.....	.15

Order All Parts from Nearest Service Station or Dealer

Be Sure to Specify Model and Serial Number of Motor When Ordering Parts

**PART NO. 301860 TO 301929 INCL.**

Part No.	No. required per motor	Name of Part	List Price per Piece
301860	2	Retaining Washer - Inner Seal Ring.....	.05
301861	2	Spring - Seal.....	.05
301862	1	Gasket - Cylinder Head.....	.30
301863	1	Bracket - Port - Shroud and Starter Mounting.....	.80
301864	1	Bracket - Star - Shroud and Starter Mounting.....	.60
301866	2	Screw - Support - Rubber Mounting.....	.15
301869	1	Oil Retainer - Propeller Shaft.....	.80
301871	1	Gasket - Gearcase Head.....	.05
301872	1	Gasket - Pivot Pin.....	.025
301873	1	Pivot Pin - Shifter Lever.....	.30
301874	1	Pin - Yoke to Shifter Lever.....	.20
301875	1	Yoke - Shifting Lever.....	.75
301876	1	Shift Rod - Lower.....	.40
301877	2	"O" Ring - Lower Shift Rod Seal and Slow Speed Needle Valve - Carburetor.....	.10
301878	1	Bushing - Shift Rod - Lower.....	.10
301880	1	Screw - Upper to Lower Gearcase.....	.30
301881	1	Bolt - Lower Pump Housing to Lower Gearcase.....	.85
301882	1	Bolt - Lower Pump Housing to Upper Gearcase.....	.40
301883	1	Retaining Ring - Pinion.....	.10
301884	2	Thrust Washer - Propeller Shaft.....	.55
301885	1	Cradle.....	.40
301886	1	Link - Shift Rod.....	.60
301887	1	Lever - Shifter.....	.65
301888	1	Propeller Shaft.....	8.50
301889	1	Shifter - Clutch Dog.....	5.25
301892	1	Thrust Washer - Swivel Bracket.....	.25
301893	2	Lining - Swivel Bracket.....	.35
301894	1	Locking Lever - Reverse.....	.95
301895	1	Rod - Reverse Lock.....	.35
301896	1	Bolt - Thrust Socket.....	.35
301897	1	Lockplate - Stern Bracket.....	.15
301898	1	Spring -Reverse Lock.....	.20
301899	2	Rubber Bushing - Driveshaft.....	.20
301900	1	Spacer - Rubber Bushing.....	.30
301901	1	<del>Shaft - Shift Rod</del> <i>order 375597 assembly</i> .....	.25
301902	1	Pin - Shift Lever to Shaft.....	.05
301903	1	Lever - Shift Rod.....	.40
301906	1	Thrust Lock.....	.60
301908	1	Valve - Exhaust Relief.....	.20
301909	1	Bushing - Shift Rod - Upper.....	.10
301910	1	Shift Rod - Upper.....	.90
301911	1	Pin - Shift Rod.....	.15
301912	3	Cotter Pin - Clevis, Cross Shaft Pin and Yoke to Pin.....	.025
301913	1	Sleeve - Shift Rod.....	.10
301914	1	Spring - Shift Rod.....	.10
301915	1	Sleeve - Reverse Lock.....	.30
301916	1	Spring - Exhaust Relief Valve.....	.05
301917	1	"O" Ring - Water Pump Seal.....	.30
301919	1	Cover - Exhause - Outer.....	1.00
301920	1	Extension - Clamping Bar.....	.20
301921	1	Clamping Lever.....	.35
301923	1	Shear Pin.....	.05
301925	1	Gearcase - Lower.....	8.00
301929	1	Screw - Upper Pump Housing to Driveshaft Casing.....	.10

Order All Parts from Nearest Service Station or Dealer



Be Sure to Specify Model and Serial Number of Motor When Ordering Parts

**PART NO. 301939 TO 302026 INCL.**

Part No.	No. required per motor	Name of Part	List Price per Piece
301939	1	Cover - Upper Pump Housing.....	1.40
301940	1	Grommet - Water Inlet Tube.....	.10
301941	1	Gearcase - Upper.....	4.75
301942	1	Upper Pump Housing.....	6.25
301947	1	Gasket - Exhaust Tube.....	.10
301948	1	Exhaust Tube.....	3.25
301949	3	Nut - Shift Rod Upper and Lower - Clevis to Shift Lever Link	.05
301950	2	Roller Bearing Assembly - Upper and Lower Journal.....	6.75
301951	2	Ball Bearing - Propeller Shaft.....	1.60
301953	1	Spring Washer - Steering Handle to Bracket.....	.10
301954	1	Washer - Steering Handle to Bracket.....	.10
301955	1	Screw - Steering Bracket to Handle.....	.15
301958	1	Bushing - Impeller Housing.....	.10
301961	1	Plate - Impeller Housing - Water Pump.....	.85
301962	1	Driveshaft .....	8.25
301963	3	Screw - Upper Impeller Housing.....	.05
301964	1	Screw - Exhaust Tube to Upper Pump Housing.....	.15
301965	2	Leaf - Carburetor.....	1.20
301966	1	Clampscrew - Upper Pump Housing.....	.15
301967	2	"O" Ring - Carbon Seal to Crankshaft.....	.10
301971	1	Pulley - Emergency Starter.....	.90
301974	2	Cotter Pin - Reverse Rod Lock.....	.025
301981	1	Gasket - Upper to Lower Gearcase.....	.025
301982	1	Gasket - Lower Pump Housing to Upper Gearcase.....	.05
301983	2	Conical Washer - Tilting Shaft.....	.20
301984	1	Bolt - Tilting Shaft.....	.90
301987	1	Steering Handle.....	.85
301988	1	Nut - Crankshaft.....	.05
301989	4	Screw - Upper to Lower Pump Housing.....	.05
301990	1	Float Chamber.....	3.95
301992	4	Stud - Name Plate.....	.025
301995	1	Washer - Slow Speed Venturi.....	.025
301996	1	Washer - Float Valve.....	.025
301998	1	Washer - Float Chamber Plug.....	.025
301999	1	Gasket - Float Chamber to Carburetor Body Boss.....	.025
302000	1	Seal - Primer Plunger.....	.80
302001	2	Screw - Spark Plug Cover.....	.15
302003	1	Plunger - Primer - Carburetor.....	.20
302004	1	Nozzle - High Speed.....	.45
302006	1	Screw - Float - Carburetor to Carburetor Boss.....	.50
302007	2	Screw - Shroud - Port to Star.....	.05
302008	1	Screw - Shroud Handle Star to Port.....	.10
302009	10	Screw - Cylinder Head.....	.05
303011	1	Screw - Float Chamber.....	.15
302012	1	Hinge Pin - Float Arm.....	.20
302015	1	"E" Ring - Slow Speed Needle Valve.....	.05
302016	1	Support - Arm Plate.....	.20
302017	1	Stud - Crankcase to Cylinder.....	.05
302018	1	Stud - Carburetor to Cylinder.....	.05
302019	1	Stud - Crankcase to Cylinder.....	.05
302020	4	Bracket - Rubber Mounting to Shroud.....	.25
302021	4	Rubber Mounting - Shroud to Power Head.....	.75
302024	1	Throttle Valve - Carburetor.....	.025
302025	2	Adjusting Knob - Slow and High Speed Needle Valves.....	.35
302026	1	Needle Valve - Slow Speed.....	.50

Order All Parts from Nearest Service Station or Dealer

Be Sure to Specify Model and Serial Number of Motor When Ordering Parts

**PART NO. 302027 TO 302135 INCL.**

Part No.	No. required per motor	Name of Part	List Price per Piece
302027	1	Spring - Slow Speed Needle Valve.....	.05
302029	1	Needle Valve - High Speed.....	.50
302031	1	Leaf Valve - Crankcase Drain.....	.60
302032	1	Gasket - Leaf Valve Cover.....	.025
302033	1	Cover - Leaf Valve.....	.20
302034	1	Plate - Leaf Valve.....	.025
302035	2	"O" Ring - Upper and Lower Bearing Seal.....	.20
302036	2	Seal - Upper and Lower Bearing.....	.50
302038	1	Pin - Clevis to Extension Lever.....	.15
302039	1	Clevis - Extension Lever to Link.....	.30
302040	1	Link - Clevis to Shift Lever.....	.45
302041	2	Spring - Mounting - Power Head to Lower Unit.....	.30
302042	1	Check Valve - Air Line - Carburetor.....	.10
302043	1	Gasket - Float Chamber to Carburetor Body.....	.025
302044	1	Gasket - Leaf Plate to Chankcase.....	.10
302045	1	Gasket - Leaf Plate to Carburetor.....	.10
302046	2	Spacer - Check Valve Spring - Carburetor.....	.025
302047	2	Leaf - Stop.....	.20
302048	1	Spring - Check Valve - Carburetor.....	.025
302049	1	Leaf Plate.....	4.50
302050	1	Steering Bracket.....	4.50
302051	1	Spring - Tilting Shaft.....	.60
302052	1	Venturi - Carburetor.....	.45
302057	1	Cover - Spark Plug.....	.35
302060	1	Retainer - Gasoline Filter.....	.05
302061	1	Wing Nut - Gasoline Filter.....	.05
302062	1	Filter - Gasoline Filter.....	.60
302063	1	Stud - Gasoline Filter.....	.15
302064	1	Bowl - Gasoline Filter.....	.25
302065	1	Gasket - Gasoline Filter.....	.05
302067	1	Body - Gasoline Filter.....	.85
302068	1	Arm - Control Shaft - Carburetor.....	.25
302069	1	Arm - High Speed Needle Valve - Carburetor.....	.30
302070	1	Bracket - Control Shaft.....	.30
302071	1	Spring - Throttle Link - Carburetor.....	.05
302072	1	Link - Throttle Lever to Cross Shaft Lever.....	.05
302076	1	Link - High Speed Needle Valve.....	.50
302077	1	Screw - Bell Crank Primer.....	.10
302078	1	Bell Crank - Primer - Carburetor.....	.20
302079	1	Control Shaft - Carburetor.....	.50
302084	1	Link - Steering Bracket to Carburetor.....	.15
302086	1	Cam Lever - Carburetor.....	.30
302088	1	Spring - Cross Shaft.....	.55
302091	1	Spring - Steering Bracket Link.....	.20
302094	1	Groove Pin - Steering Bracket.....	.025
302097	1	Cam - Armature Plate.....	1.00
302102	1	Lever - Steering Bracket.....	.30
302103	1	Nut - Spindle Screw.....	.025
302104	3	Screw - Retainer.....	.025
302125	1	Screw - Valve to Throttle Shaft.....	.025
302109	1	Transfer - Port.....	NET .20
302110	1	Transfer - Star.....	NET .20
302130	1	Groove Pin - Control Shaft.....	.025
302131	1	Screw - Magneto Handle.....	.025
302135	1	Spring - Pressure Relief Valve.....	.05

Order All Parts from Nearest Service Station or Dealer

Be Sure to Specify Model and Serial Number of Motor When Ordering Parts

**PART NO. 302136 TO 375623 INCL.**

Part No.	No. required per motor	Name of Part	List Price per Piece
302136	1	Valve - Pressure Relief.....	.05
302137	1	Washer - Pressure Relief Valve.....	.025
302155	1	Transfer - Oiling.....	N/C
302156	1	Transfer - Starting.....	N/C
302157	1	Transfer - Shifting.....	N/C
302158	1	Transfer - Timing - Port.....	N/C
302159	1	Transfer - Timing - Star.....	N/C
302162	1	Spring - Plunger - Carburetor.....	.10
302178	2	Clamp - Hose.....	.15
302179	1	Plug - Carburetor Manifold Hose.....	.10
302180	1	Hose - Carburetor Manifold.....	.30
302182	1	Clamp - Hose to Carburetor Nipple.....	.05
302183	1	Gasket - Upper Gearcase to Plate.....	.05
302184	1	Plate - Lower Pump Housing to Upper Gearcase.....	.20
302186	2	Washer - Retaining Spark Plug Cover Screw.....	.025
302190	1	Upper Pump Housing (QDL-10).....	6.85
302191	1	Cover - Upper Pump Housing (QDL-10).....	2.75
302193	1	Driveshaft (QDL-10).....	10.35
302194	1	Shift Rod - Upper (QDL-10).....	1.00
302222	1	Friction Spring - Starter.....	.35
302232	1	Gasket - Flange to Power Head.....	.05
302233	2	Washer - Throttle Lock.....	.05
302234	1*	Spring - Throttle Lock.....	.025
302240	1	Spacer - Swivel Bracket to Upper Pump Housing.....	.05
302283	2	Spark Plug.....	.75
302290	1	Washer - Exhaust Tube to Upper Pump Housing.....	.025
302291	2	Transfer - Gasoline Tank.....	NET .20
375134	2	Breaker Spring and Point Assembly.....	.30
375295	2	Terminal - Ignition Leads.....	.10
375542	1	Handle - Starter Rope.....	.60
375561	1	High Tension Lead.....	.55
375585	1	Shut Off Valve Assembly - Gasoline Tank.....	.50
375587	1	Fuel Connector.....	4.50
375589	1	Body Assembly - Fuel Connector.....	1.50
375590	1	Mile Master Fuel Tank Assembly (Complete).....	40.00
375591	2	Piston and Dowel Pin Assembly.....	3.85
375594	1	Cylinder Head and Core Plug Assembly.....	3.65
375595	2	Connecting Rod Assembly.....	8.25
375596	1	Pinion Shim and Bearing Assembly.....	6.75
375597	1	Shaft and Lever Assembly.....	1.15
375598	2	Clampcrew and Handle Assembly.....	.70
375599	1	Flange and Driveshaft Casing Assembly.....	9.00
375601	2	Propeller Shaft Gear and Bushing.....	7.00
375605	1	Propeller and Bushing Assembly.....	5.00
375606	1	Gearcase Head and Oil Retainer Assembly.....	2.75
375609	1	Impeller Housing and Bushing Assembly.....	2.85
375613	1	Stern Bracket and Clampcrew Assembly - Port.....	2.50
375614	1	Stern Bracket and Clampcrew Assembly - Star.....	2.50
375615	1	Crankshaft Assembly.....	23.75
375617	1	Cylinder and Crankcase Assembly.....	48.50
375619	1	Float and Arm Assembly.....	.75
375620	1	Starter Housing and Pin Assembly.....	2.75
375622	1	Filter Yoke and Thumb Screw Assembly.....	.40
375623	1	Filter Assembly.....	2.75

Order All Parts from Nearest Service Station or Dealer

Be Sure to Specify Model and Serial Number of Motor When Ordering Parts

**PART NO. 375624 TO 590646 INCL.**

Part No.	No. required per motor	Name of Part	List Price per Piece
375624	1	Carburetor Body and Plug Assembly.....	7.50
375626	1	Timing Lever Assembly.....	1.00
375627	1	Throttle Shaft, Lever and Pin Assembly.....	.75
375628	1	Venturi Assembly - Slow Speed.....	1.25
375629	1	Cross Shaft Arm and Pin Assembly.....	.40
375631	1	Cross Shaft, Lever and Pin Assembly.....	.75
375633	1	Shift Lever and Knob Assembly.....	2.00
375634	1	Throttle Lock Assembly - Steering Bracket.....	.95
375635	1	Swivel Bracket and Screw Assembly.....	3.95
375638	1	Impeller Assembly - Water Pump.....	1.00
375645	1	Shroud Cover and Transfer Assembly - Port.....	12.50
375646	1	Shroud Cover and Transfer Assembly - Star.....	13.00
375649	1	Lower Pump Housing and Plug Assembly.....	7.50
375651	1	Gasoline Tank and Transfer Assembly (Only).....	20.00
375652	1	Flange and Driveshaft Casing Assembly (QDL-10).....	10.50
375654	1	Float Valve and Seat Assembly.....	1.30
375658	1	Float and Float Support Assembly.....	2.25
375661	1	Filler Cap - Mile Master Fuel Tank.....	2.00
375662	1	Diaphragm Housing - Push Rod Housing and Guide Assembly	3.00
375670	1	Carburetor Complete.....	32.75
375673	1	Tool Kit Assembly.....	NET 1.60
375674	1	Oil Line Assembly.....	.50
375675	1	Gas Line - Filter to Fuel Connector.....	.40
375676	1	Air Line - Carburetor to Fuel Connector.....	.50
375677	1	Gas Line - Carburetor to Filter.....	.50
375678	1	Water Tube Assembly - Cylinder to Pump.....	.90
375679	1	Tube Assembly - Pump to Cover - Mile Master Fuel Tank.....	.50
375680	1	Carburetor Body, Valve and Venturi Assembly.....	10.75
375681	1	Starter Assembly Complete.....	13.75
375682	1	Gearcase Upper and Shift Rod Assembly.....	5.00
375683	1	Float Bowl and Float Assembly.....	11.25
375685	1	Water Tube - Cylinder (QDL-10).....	1.00
375686	1	Pinion, Bearing & Prop. Gear Assy.....	20.00
510055	2	Push Rod - Breaker.....	.25
510102	4	Clip - Ring Armature Plate Mounting Screws.....	.025
510120	4	Insulation Strip - Breaker Assembly.....	.025
510121	1	Armature Plate Casting Only.....	3.75
580016	2	Breaker Assembly.....	2.50
580017	1	Lead Assembly - Breaker to Switch - Short.....	.25
580027	2	Breaker Bracket and Point.....	1.20
580040	2	Coil Assembly.....	6.75
580054	1	Oiler Assembly.....	.10
580060	1	High Tension Lead.....	.55
580066	1	Armature Plate Assembly.....	27.50
580074	1	Lead Assembly - Breaker to Switch - Long.....	.25
590571	1	Flywheel Assembly.....	16.00
590646	1	Starter Pulley Assembly.....	3.00

Order All Parts from Nearest Service Station or Dealer

