

PARTS LIST

EVINRUDE BIG TWIN 25

Electric

MODELS 25920 AND 25921

INSTRUCTIONS ON HOW TO ORDER

For their convenience, as well as ours, we ask our customers to carefully follow our instructions in ordering parts.

We also request that owners order their parts from our dealer or nearest service station or distributor.

ORDER BY PART NUMBER GIVING NAME OF PART ALSO.

ALWAYS GIVE THE SERIAL NUMBER OF THE MOTOR FOR WHICH PART OR PARTS ARE REQUIRED.

This is very important, and is necessary to intelligently fill your order. If you cannot give the number of the motor, state when and from whom the motor was purchased.

TELEGRAMS AND HOW TO USE "EVINRUDE CODE."

Telegram rates are based on fifteen words or less, for immediate delivery. Day letter or night letter rates are considerably cheaper. Detailed information may be found on rear of any telegram blank.

Use the following code only on messages of more than fifteen words. Each five code letters are charged

for as a word. English words and code words may be used in the same message, but code letters cannot be combined with English words.

A - 1	G - 7	L - Air Parcel Post
B - 2	H - 8	M - Freight - Truck
C - 3	I - 9	V - Air Express
D - 4	J - 0	X - Express
E - 5	K - Each	Y - Parcel Post
F - 6	P - Number	Z - Freight - Railway

Following is an example of a telegram not coded and the same reduced to code:

(NOT CODED - 22 WORDS.)

Parcel Post Two Number One Three Naught Naught Four Four Propeller Nut Twelve Number One Three Naught Naught Five Three Shear Pins.

(CODED - 8 WORDS.)

YBPAC JJDD Propeller Nut ABPAC JJEC Shear Pins.

Do not use this code in cable messages.

ROUTING • TERMS • RETURNS

SHIPPING INSTRUCTIONS.

Unless specific instructions accompany the order, we will use our own judgement on how to ship.

TERMS: CASH WITH ORDER OR C.O.D.

In ordering parts, to avoid C.O.D. shipments and extra charges, all orders should be accompanied by cash. Save time and money by remitting sufficient cash to cover cost of parts and Transportation Charges. Stamps are accepted in payment of all orders not over \$1.00. The right to hold all

orders unaccompanied by cash is reserved by Evinrude Motors, Milwaukee.

A minimum charge of \$0.50 net will be made on all orders amounting to less than this amount. We reserve the right to furnish additional parts to make up the difference.

INSTRUCTIONS ON RETURNING PARTS.

Parts can only be returned in accordance with terms outlined under the Service Policy laid down in the instruction manual.

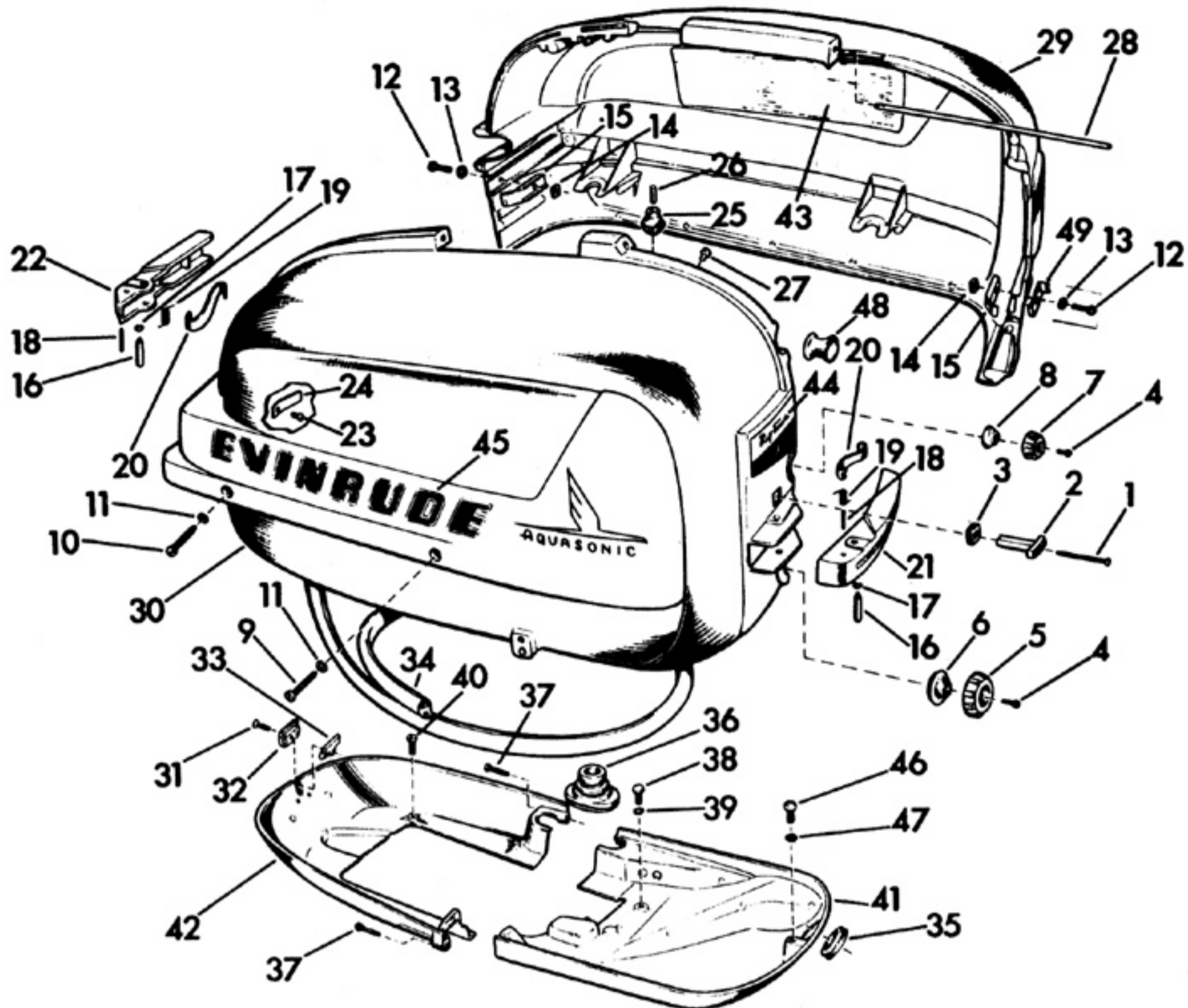
ALL PRICES SUBJECT TO CHANGE WITHOUT NOTICE

EVINRUDE MOTORS, Milwaukee, Wis., U.S.A.

CABLE ADDRESS "EVINRUDE"

SECOND EDITION

BIG TWIN *Electric* MOTOR COVER

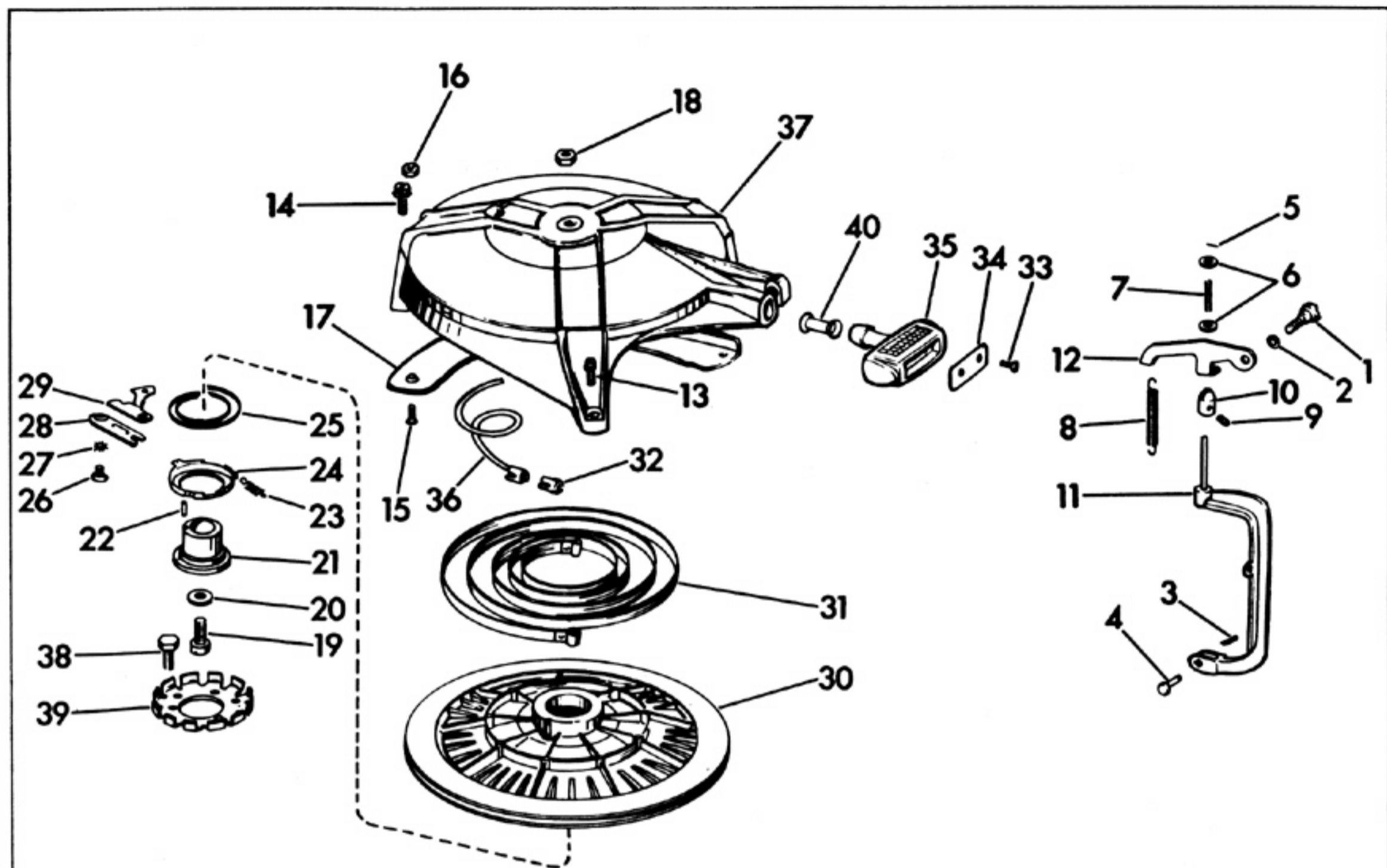


REF. NO.	PART NO.	NAME OF PART	QTY.	REF. NO.	PART NO.	NAME OF PART	QTY.
1	203414	Choke knob screw	1	28	203584	Motor cover hinge pin	1
2	203612	Choke control knob	1	29	277347	Motor cover assembly - Port . . .	1
3	303796	Choke grommet	1	30	277348	Motor cover assembly - Starboard	1
4	551517	Adjusting knob screw	2	31	304022	Seal to lower cover clamp screw .	1
5	203599	High speed control knob	1	32	304021	Outer seal to lower cover clamp .	1
6	203616	High speed cover grommet	1	33	304020	Inner seal to lower cover clamp .	1
7	203597	Slow speed control knob	1	34	304018	Lower cover seal	1
8	203617	Low speed cover grommet	1	35	304017	Cable to cover grommet	1
9	203202	Motor cover mtg. screw, front . . .	1	36	304019	Control shaft to cover grommet	1
10	203604	Motor cover mtg. screw, rear . . .	1	37	303714	Lower motor cover screw, front to rear	2
11	306396	Cover mtg. screw lockwasher . . .	2	38	304027	Lower motor cover to exhaust tube screw, front	1
12	306461	Latch hook to motor cover screw .	2	39	303480	Lower cover to exhaust tube screw lockwasher, front . . .	1
13	303480	Latch hook screw lockwasher . . .	2	40	306461	Lower motor cover to exhaust tube screw	4
14	203688	Latch hook screw nut	2	41	304028	Lower motor cover, front	1
15	203594	Motor cover latch hook	2	42	304016	Lower motor cover, rear	1
16	203595	Cover latch hinge pin	2	43	203675	Operating instruction transfer . . .	1
17	203470	Cover latch hinge pin ret. ring . .	2	44	203668	Medallion transfer	1
18	203592	Cover latch pivot pin	2	45	203549	Motor cover transfer - Starboard	1
19	203591	Cover latch bale spring	2	46	300258	Air silencer to lower cover screw	1
20	203593	Cover latch bale	2	47	306482	Silencer to lower cover screw washer	1
21	277344	Cover latch and bale, front	1	48	303560	Rope to motor cover eyelet	1
22	277345	Cover latch and bale, rear	1	49	203692	Motor cover finger tab	1
23	306417	Latch retainer spring screw	2	*	203548	Motor cover transfer - Port	1
*	203634	Latch retainer spring, front	1	*	277357	Tool kit assembly	1
24	203464	Latch retainer spring, rear	1	*	307584	Feeler gauge	1
25	303564	Motor cover to starter hsg. bumper	1				
26	203580	Cover to starter hsg. bumper pin.	1				
27	203290	Motor cover bumper	4				

*Not Shown

ORDER YOUR PARTS FROM YOUR DISTRICT SERVICE STATION.

BIG TWIN *Electric* REWIND STARTER

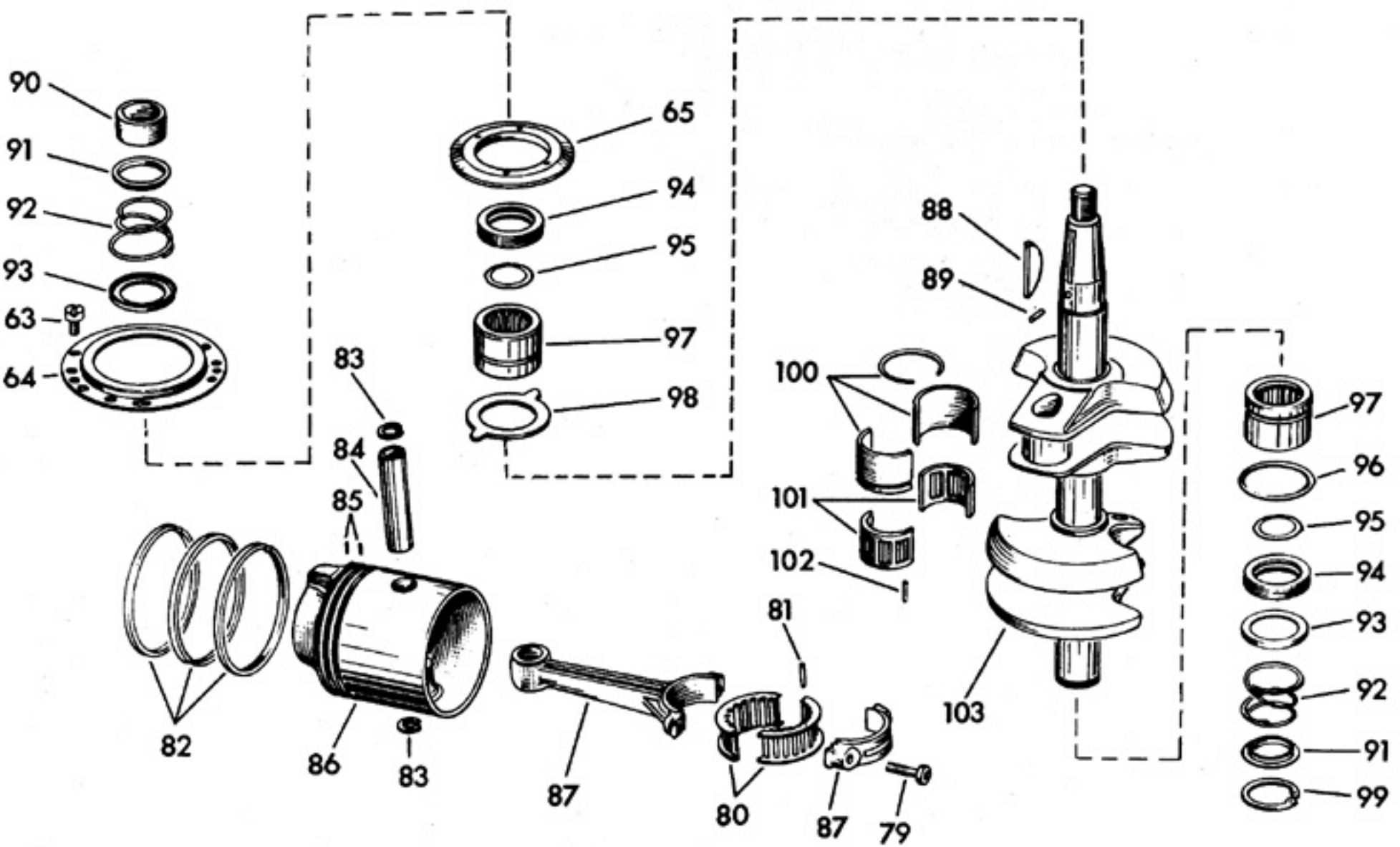
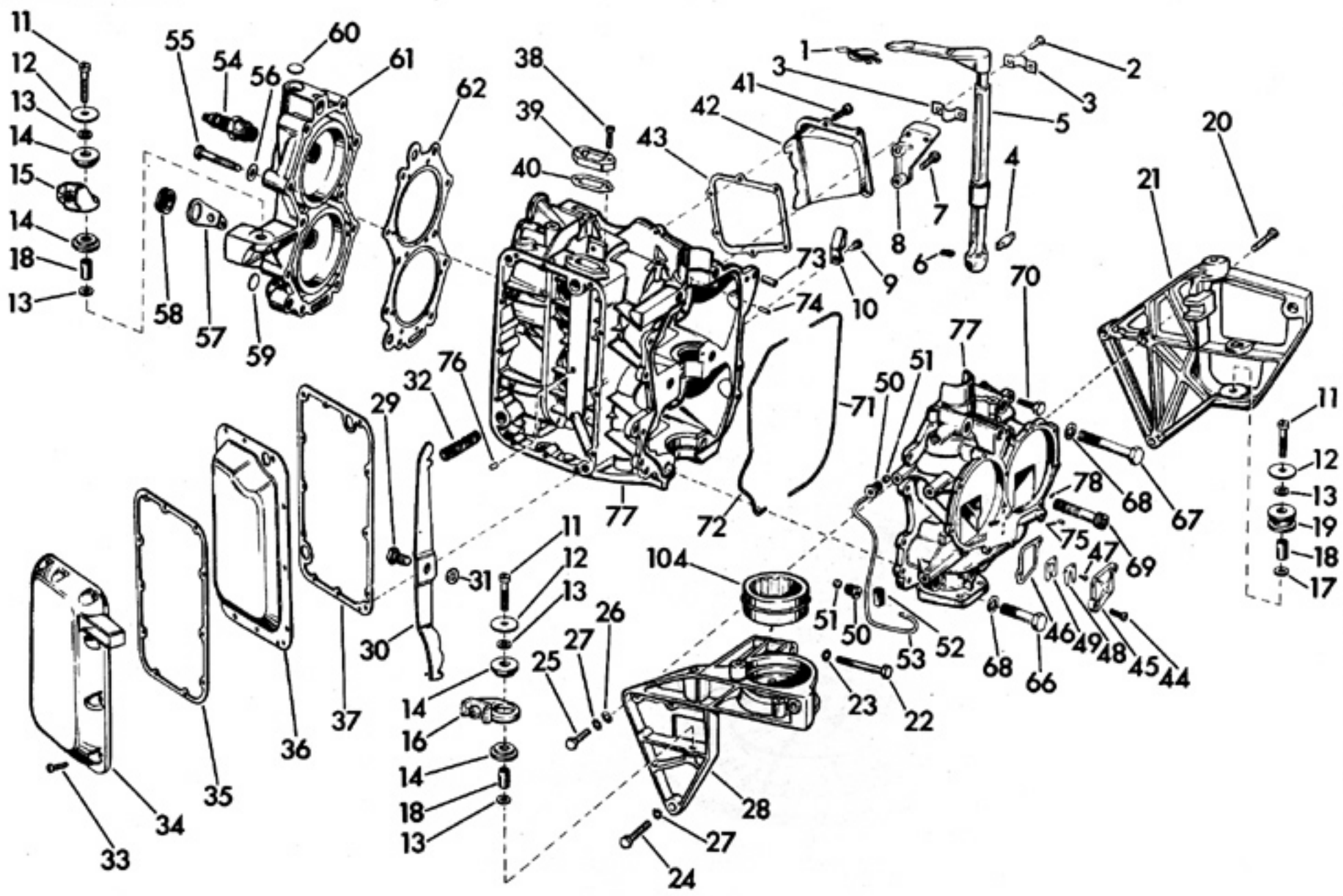


REF. NO.	PART NO.	NAME OF PART	QTY.	REF. NO.	PART NO.	NAME OF PART	QTY.
*	277422	Starter housing assembly	1	23	202155	Equalizer cup spring	3
1	303247	Starter housing to locking lever screw	1	24	202114	Equalizer cup	1
2	302473	Lever to housing bow washer	1	25	302222	Starter friction spring.	1
3	303590	Cam follower link to pin cotter pin	1	26	302104	Retainer screw	3
4	303742	Link to cam follower pin	1	27	71X1026	Retainer screw lock washer	3
5	41A110	Throttle lever link pin.	1	28	202317	Starter pawl retainer	3
6	71X1447	Link washer	2	29	202470	Starter pawl	3
7	303051	Link to locking lever spring	1	30	375771	Starter pulley assy, to motors 25920-04200 and 25921-04200	1
8	303032	Starter lock spring	1	30	376374	Starter pulley, motors 25920-04201 and up, 25921-04201 and up.	1
9	303245	Link collar screw	1	31	375836	Starter spring	1
10	303244	Starter lock link collar	1	32	41A314	Starter rope anchor, to motors 25920-04200 and 25921-04200	1
11	376238	Cam follower to locking lever link and rod assembly	1	*	277295	Starter handle, clamp plate and screw assembly	1
12	303785	Locking lever	1	33	41X205	Clamp plate to handle screw	2
13	303591	Starter housing to mounting bracket screw	2	34	203434	Rope handle clamp plate	1
14	303766	Starter housing to cylinder screw	1	35	277294	Starter handle and insert assembly	1
15	302104	Guard to starter housing screw	3	36	42A137	Starter rope and anchor, to motors 25920-04200 and 25921-04200	1
16	71X1102	Guard to starter housing nut	3	36	304096	Starter rope, motors 25920-04201 and up, 25921-04201 and up	1
17	303703	Starter housing H. T. leads guard	1	37	376288	Starter housing and pin	1
18	302103	Spindle screw nut	1	38	302468	Ratchet to dome screw	3
19	306491	Spindle to starter housing screw	1	39	202111	Starter ratchet	1
20	202356	Starter spindle washer	1	40	303560	Rope to motor cover eyelet	1
21	276643	Starter spindle and pin	1				
22	202156	Starter spindle pin	1				

*Not Shown

ORDER YOUR PARTS FROM YOUR DISTRICT SERVICE STATION.

BIG TWIN *Electric* POWER HEAD AND CRANKSHAFT



ORDER YOUR PARTS FROM YOUR DISTRICT SERVICE STATION.

1955 BIG TWIN *Electric* POWER HEAD AND CRANKSHAFT 25 HP

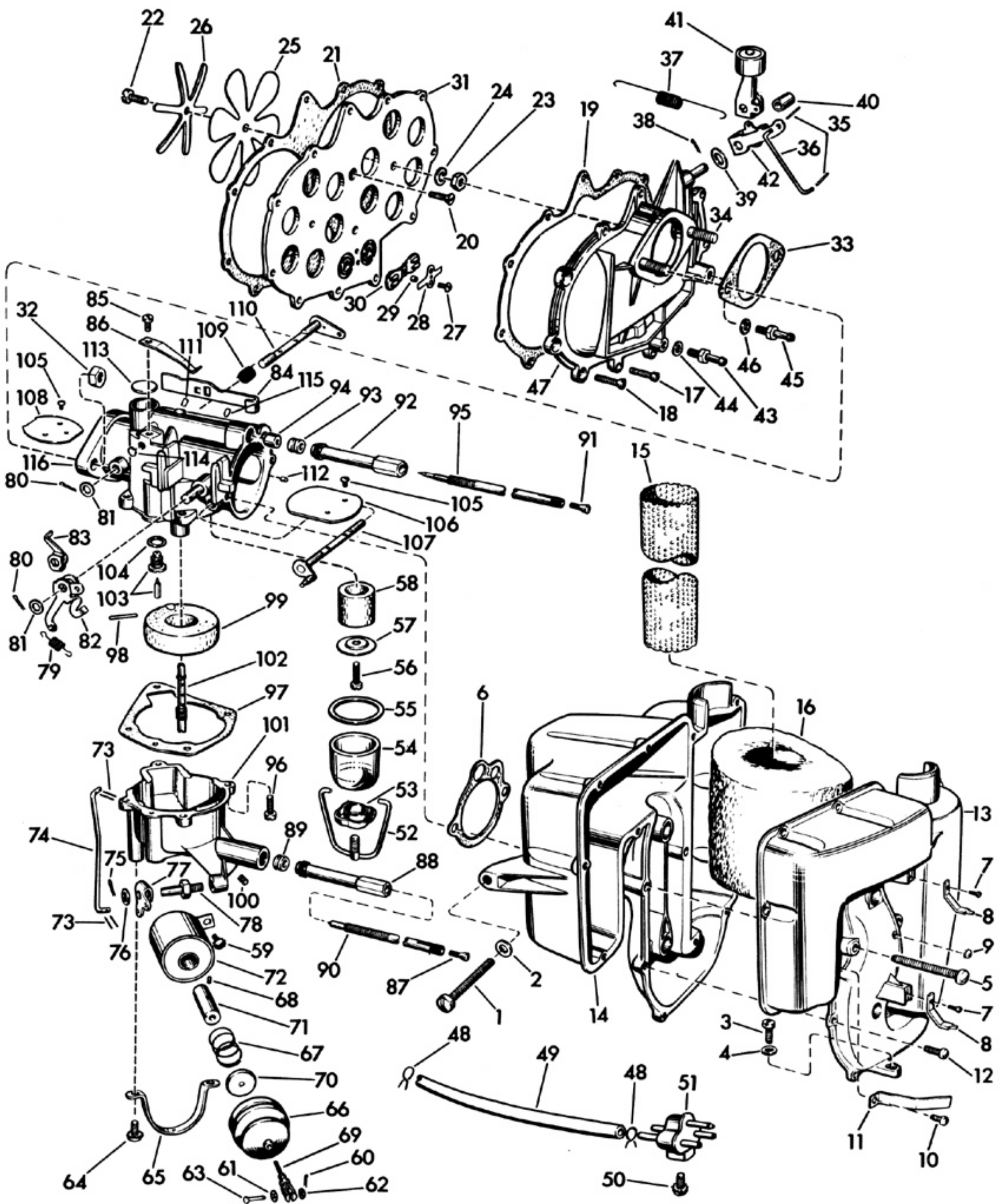
REF. NO.	PART NO.	NAME OF PART	QTY.	REF. NO.	PART NO.	NAME OF PART	QTY.
1	303146	Armature plate link spring clip . .	1	52	302811	Oil line tube spacer	1
2	43X156	Control lever bearing clamp screw	2	53	302630	Oil line	1
3	303109	Control lever bearing clamp . . .	2	†54	200322	Spark plug, Champion J6-J	2
4	304155	Control lever to gear pin, motors 25920-03201 and up, 25921-04214 and up	1	†54	376290	Spark plug Auto-Lite A3X	2
5	304156	Arm. plate control lever, motors 25920-03201 and up 25921-04214 and up	1	55	303782	Cylinder head screw	10
5	376429	Throttle gear and control lever assy, to motors 25920-03200 and 25921-04213	1	56	37X154	Cylinder head screw washer . . .	9
6	303236	Control lever spring, to motors 25920-03200 and 25921-04213 . .	1	57	300455	Ignition lead anchor	1
7	25X238	Control lever brkt. to cyl. screw	2	58	300454	Ignition lead grommet	1
8	303832	Control lever to cylinder bracket .	1	59	13X426	Core plug - bottom	1
9	302824	H. T. lead clamp screw	1	60	19X51	Core plug - top	2
10	302749	H. T. leads to bypass cover clamp	1	61	376336	Cylinder head and core plugs . .	1
11	41X178	Shroud mounting screw	4	62	302583	Cylinder head gasket	1
12	302407	Shroud mounting washer - large .	4	63	41X223	Armature plate support screw . .	4
13	43X302	Shroud mounting washer - small .	6	64	303278	Armature plate support	1
14	302405	Shroud mounting bracket grommet	4	65	303277	Armature plate retaining ring . .	1
15	302404	Shroud mounting bracket	1	66	302600	Crankcase to cylinder screw, bottom - short	2
16	203585	Cover mounting bracket, front . .	1	67	301431	Crankcase to cylinder screw, top - long	2
17	203622	Cover mounting grommet washer, lower - Port	2	68	300343	Top and bottom washer	4
18	302406	Shroud mounting spacer	4	69	302579	Crankcase to cylinder screw (Allen) center	2
19	203633	Cover mounting grommet - Port .	2	70	300646	Crankcase to cylinder screw . . .	8
20	303699	Bracket to crankcase screw . . .	3	71	302622	Cylinder to crankcase seal - Port	1
21	203570	Port starter and silencer mtg. brkt.	1	72	302621	Cyl. to crankcase seal - Starboard	1
22	21X487	Starter bracket to crankcase screw	1	73	300402	Taper pin	2
23	7X227	Starter bracket to crankcase screw lockwasher	1	74	302037	Upper, lower, center brg. dowel .	3
24	21X358	Starter bracket to crankcase screw	1	75	300788	Crankcase oil hole expansion plug	1
25	300646	Starter bracket to crankcase screw - short	2	76	43X223	Water passage plug	1
26	13X585	Starter brkt. screw crankcase screw	2	77	376337	Cylinder and crankcase assembly.	1
27	51X137	Starboard mounting bracket to crankcase lockwasher	3	78	43X219	Crankcase oil plug	3
28	203572	Starboard starter and starter motor mounting bracket	1	79	202967	Connecting rod screw	4
29	302592	Shifter lock to cylinder screw . .	1	80	302603	Connecting rod retainer	2
30	303970	Shifter lock	1	81	302529	Connecting rod needle bearing . .	40
31	304051	Shifter lockwasher	1	82	302533	Piston rings	6
32	302587	Shifter lock spring	1	82	303066	Piston rings, .020 O.S.	6
33	43X110	Exhaust cover to cylinder screw .	12	83	302577	Wrist pin spring ring	4
34	302550	Exhaust cover - outer	1	84	302576	Wrist pin	2
35	302608	Inner to outer exh. cover gasket .	1	85	300288	Piston dowel pin	6
36	302549	Exhaust cover - inner	1	86	375781	Piston and dowel pin - less rings .	2
37	302607	Inner exh. cover to cylinder gasket	1	86	375959	Piston and dowel pin - less rings, .020 O.S.	2
38	1X132	Water passage cover to cyl. screw	2	87	375767	Connecting rod	2
39	302582	Cylinder water passage cover . .	1	88	302602	Flywheel to crankshaft key . . .	1
40	302581	Cover to cylinder water passage gasket	1	89	302578	Cam to crankshaft pin	1
41	43X259	Bypass cover screw	12	90	510169	Magneto cam.	1
42	302542	Bypass cover	2	91	303801	Outer seal spring retaining washer, to motors 17000	2
43	302586	Bypass cover to cylinder gasket .	2	92	302539	Seal spring to motors 17000 . . .	2
44	13X558	Leaf valve cover to crankcase screw	2	93	302594	Retaining washer, to motors 17000	1
45	302033	Leaf valve cover	1	94	302538	Bearing seal to motors 17000 . . .	2
46	302032	Leaf valve cover gasket	1	94	303804	Brg. seal, motors 17001 and up .	2
47	303761	Leaf valve to crankcase screw . .	2	95	302540	Crankcase carbon "O" ring, to motors 17000	2
48	302034	Leaf valve plate	1	96	302537	Lower roller bearing seal "O" ring	1
49	302031	Crankcase drain leaf valve . . .	1	97	375763	Roller bearing assy, to motors 17000	2
*	375862	Oil line assembly	1	97	376433	Roller brg. & seal assy motors 17001 and up	2
50	41A105	Oil line packing nut	2	98	302601	Crankshaft thrust washer	1
51	11X61	Oil line sleeve	2	99	302536	Retaining washer retaining ring- lower, to motors 17000	1
				100	302585	Center bearing split sleeve . . .	1
				101	302755	Bearing cage - center	2
				102	302584	Center bearing needle	18
				103	302530	Crankshaft	1
				104	303763	Starter pinion shock absorber . .	1

*Not Shown

† We recommend either Champion or Auto-Lite spark plugs.

ORDER YOUR PARTS FROM YOUR DISTRICT SERVICE STATION.

BIG TWIN *Electric* CARBURETOR



ORDER YOUR PARTS FROM YOUR DISTRICT SERVICE STATION

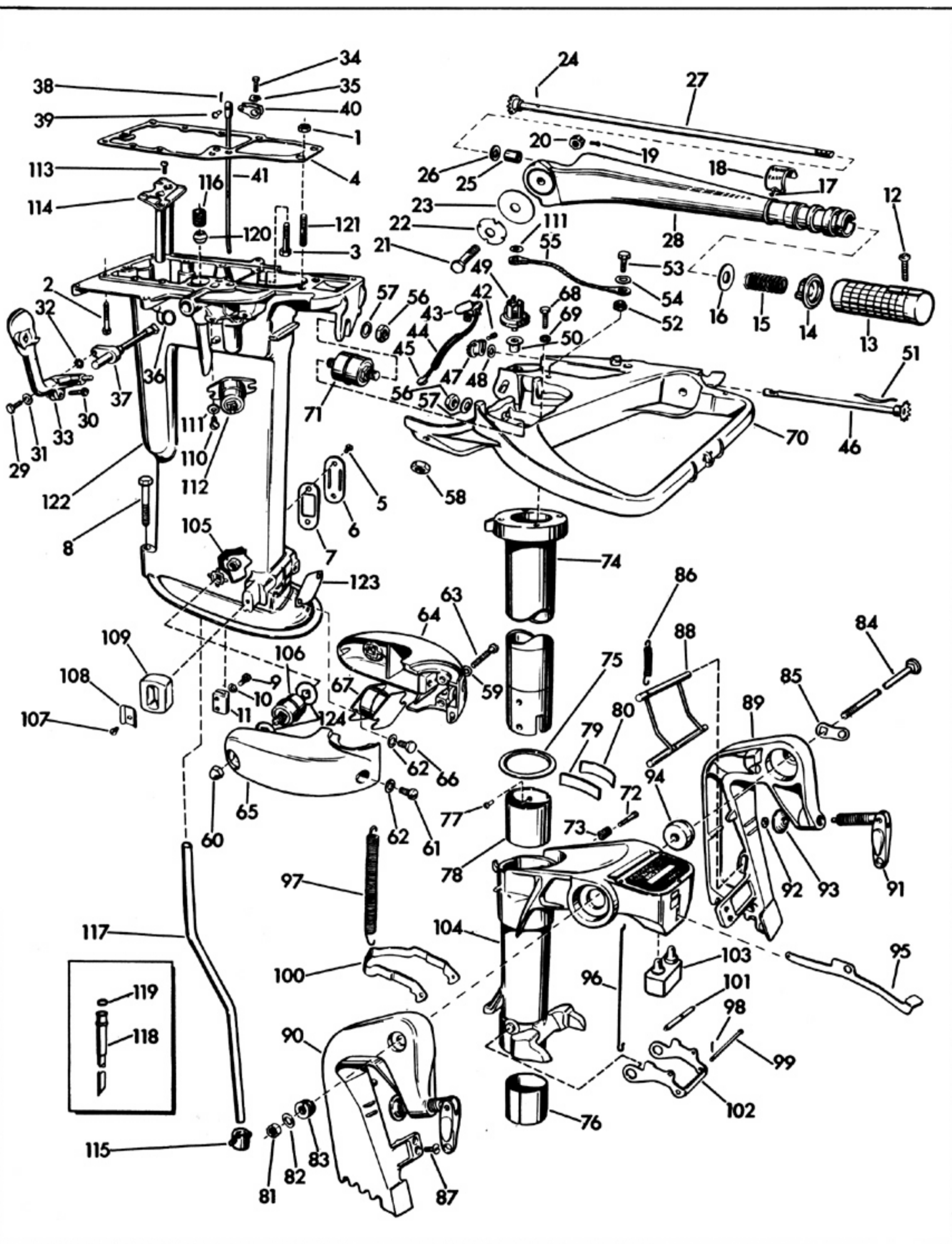
BIG TWIN *Electric* CARBURETOR

REF. NO.	PART NO.	NAME OF PART	QTY.	REF. NO.	PART NO.	NAME OF PART	QTY.
*	376325	Carburetor and solenoid assembly	1	58	302062	Gasoline filter	1
*	277117	Leaf plate assembly	1	59	510193	Carburetor solenoid to wire terminal screw	1
1	132679	Air silencer to motor brackets screw	2	60	301912	Solenoid shaft cotter pin	1
2	306482	Air silencer to brackets screw washer	2	61	306556	Solenoid shaft pin washer	1
3	300258	Air silencer to lower cover screw	1	62	306544	Solenoid shaft pin washer	1
4	306482	Air silencer to lower cover screw washer	1	63	303738	Solenoid shaft pin	1
5	303994	Air silencer to carburetor screw .	2	64	303737	Yoke to float chamber screw (sems)	2
6	303988	Air silencer to carburetor gasket	1	65	303740	Solenoid to float chamber yoke . .	1
7	303940	High and low speed stop screw . .	2	66	303792	Solenoid cover	1
8	203598	High and low speed needle stop . .	2	67	303745	Solenoid spring	1
9	203652	Air silencer button plug	1	68	303752	Plunger socket set screw	2
10	306417	Latch retainer spring screw . . .	1	69	376241	Cable and solenoid shaft assembly	1
11	203634	Latch retainer spring	1	70	303736	Solenoid spring retainer	1
12	306431	Air silencer screw	13	71	303751	Solenoid plunger	1
13	203575	Air silencer, front	1	72	376222	Solenoid assembly	1
14	203576	Air silencer, rear	1	73	307565	Link pin	4
15	203581	Air silencer insert tube	1	74	303734	Bellcrank to solenoid lever link .	1
16	203582	Air silencer acoustical liner . . .	2	75	306463	Solenoid shaft lever cotter pin . .	1
17	306474	Manifold to crankcase screw . . .	9	76	307596	Solenoid shaft lever washer	1
18	200399	Manifold to crankcase screw, flat head	3	77	303747	Solenoid lever	1
19	302605	Leaf plate to manifold gasket . . .	1	78	303739	Float chamber to solenoid lever pivot shaft	1
20	302104	Leaf plate to crankcase screw . . .	1	79	304111	Bellcrank to choke lever spring . .	1
21	302606	Leaf plate to crankcase gasket . . .	1	80	306463	Bellcrank and throttle shaft cotter pin	2
22	301858	Leaf attaching screw	2	81	307596	Bellcrank lever and throttle shaft washer	2
23	306556	Leaf to leaf plate screw nut	2	82	376255	Choke bellcrank and pin assembly	1
24	306546	Leaf to leaf plate screw lock washer	2	83	303749	Bellcrank to choke control rod lever	1
25	303731	Leaf	2	84	303964	Choke control rod	1
26	303732	Leaf stop	2	85	306479	Choke control spring screw	1
27	306402	Check valve to leaf plate screw . .	2	86	302722	Choke control rod spring	1
28	302048	Check valve spring	1	87	551517	Adjusting knob screw, high speed . .	1
29	302046	Check valve spring spacer	2	88	303981	Needle valve nut - high speed . . .	1
30	302042	Carburetor air line check valve . .	1	89	307583	Needle valve packing	3
31	302547	Leaf plate	1	90	303965	High speed needle valve	1
32	306320	Carburetor to manifold stud nut . .	2	91	551517	Adjusting knob screw - slow speed	1
33	302598	Manifold to carburetor gasket . . .	1	92	303982	Needle valve nut - slow speed . . .	1
34	302822	Manifold to carburetor stud	2	93	307583	Needle valve packing	3
35	307565	Cam follower pin	2	94	303939	Needle valve bushing	1
36	303272	Throttle lever to cam follower link	1	95	303966	Slow speed needle valve	1
37	303296	Cam follower to crankcase spring .	1	96	306357	Float chamber to carburetor body screw	4
38	306463	Cam follower to manifold cotter pin	1	97	303750	Carburetor body to bowl gasket . .	1
39	301827	Cam follower washer	1	98	302661	Hinge pin.	1
40	303310	Cam follower spacer	1	99	375792	Float and float arm	1
41	376035	Cam follower assembly	1	100	303041	Float chamber drain screw	1
42	303280	Throttle lever	1	101	304031	Float chamber	1
43	301820	Manifold nipple	1	102	303968	High speed nozzle	1
44	301819	Manifold nipple washer	1	103	375798	Float valve and seat assembly . . .	1
45	303638	Manifold nipple	1	104	301996	Float valve seat washer	1
46	303630	Manifold nipple washer	1	105	303760	Choke and throttle valve to shaft screw	4
47	376197	Intake manifold and stud	1	106	302674	Choke valve	1
48	302647	Manifold and carburetor hose clamp	4	107	376256	Choke shaft, arm and pin assembly	1
49	304029	Fuel connector to carburetor fuel and air hose	2	108	304056	Throttle valve	1
50	303311	Fuel connector body to steering bracket screw	1	109	302696	Throttle shaft spring	1
51	375788	Fuel connector body with nipples and pin	1	110	376239	Throttle shaft and arm assembly . .	1
52	376327	Yoke and screw assembly	1	111	301732	Carburetor body fuel passage plug	1
53	375989	Thumb nut and swivel cup assembly	1	112	307548	Carburetor body plug	2
54	303967	Gasoline filter bowl	1	113	306392	Carburetor body core plug	1
55	302675	Gasoline filter gasket	1	114	303962	Core plug	1
56	306357	Gasoline filter screw	1	115	304105	Carburetor body plug	2
57	302060	Gasoline filter retainer	1	116	376417	Carburetor body and plug assembly	1

*Not Shown

ORDER YOUR PARTS FROM YOUR DISTRICT SERVICE STATION.

BIG TWIN *Electric* EXHAUST TUBE AND SWIVEL BRACKET



ORDER YOUR PARTS FROM YOUR DISTRICT SERVICE STATION.

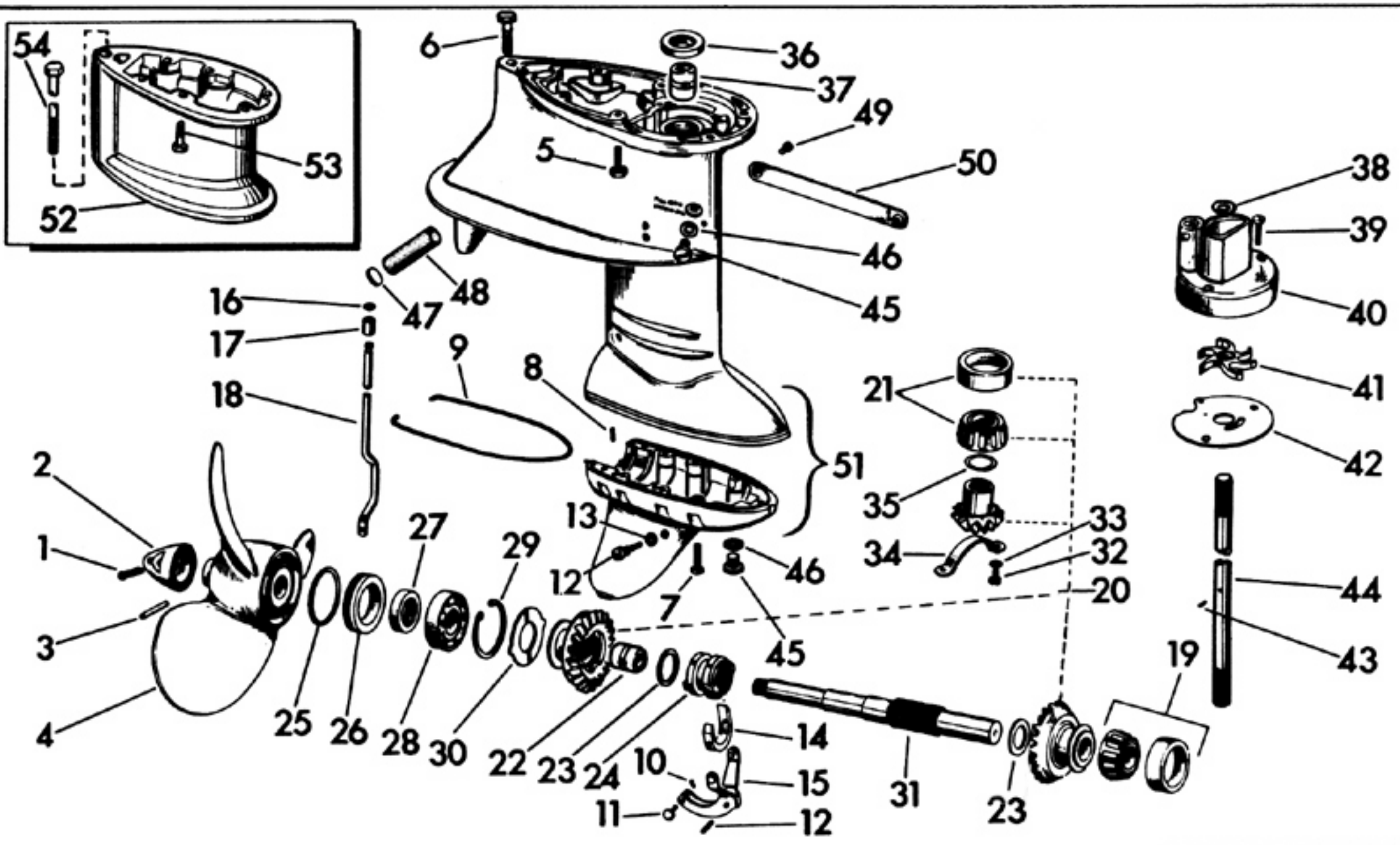
BIG TWIN *Electric* EXHAUST TUBE AND SWIVEL BRACKET

REF. NO.	PART NO.	NAME OF PART	QTY.	REF. NO.	PART NO.	NAME OF PART	QTY.
1	306320	Flange to power head nut	2	66	303888	Lower mount to exhaust tube screw	2
2	132679	Exhaust tube to cylinder screw . .	7	67	303881	Exh. tube rubber mount lower front	1
3	300355	Exhaust tube to cylinder screw . .	2	68	304151	Pilot shaft to steering brkt. screw .	4
4	303974	Exhaust tube to cylinder gasket . .	1	69	306396	Pilot shaft screw lockwasher . . .	4
5	302509	Exhaust housing cover plate screw .	2	70	376298	Steering bracket and bushing . . .	1
6	303862	Exhaust housing cover plate	1	71	303882	Exh. tube rubber mount, upper front	1
7	304023	Exhaust hsg. cover plate gasket . .	1	72	306468	Co-pilot screw	1
8	302871	Exh. hsg. to gear case screw, rear	1	73	551113	Co-pilot spring	1
*	376407	Connector and screw assembly . . .	1	74	303906	Pilot shaft	1
9	304024	Connector screw	2	75	303867	Pilot shaft thrust washer	1
10	301551	Connector screw washer	2	76	303868	Swivel brkt. shock absorber, lower	1
11	303794	Shift rod connector	1	77	303696	Swivel brkt. to upper liner pin . .	1
12	302710	Steering handle grip screw	1	78	303936	Swivel brkt. liner, upper	1
13	203307	Steering handle grip	1	79	303929	Co-pilot plate to upper liner spacer	1
14	303282	Grip friction block	1	80	303928	Co-pilot plate	1
15	301656	Steering handle grip spring	1	81	306386	Tilting shaft nut	1
16	303252	Steering handle grip washer	1	82	306433	Tilting shaft washer	1
17	301992	Throttle control plate drive pin . .	2	83	302051	Tilting shaft tension spring	1
18	203053	Throttle control plate	1	84	302643	Tilting shaft bolt	1
19	302804	Steering handle nut cotter pin . . .	1	85	300364	Safety chain link, to motors 17000	1
20	302803	Steering handle nut	1	86	302736	Tilting lever spring	1
21	302721	Steering handle screw	1	87		Stern bracket screw	2
22	302631	Steering handle spring washer . . .	1	88	376303	Tilting lever assembly	1
23	302703	Steering handle thrust washer . . .	1	89	376304	Stern bracket and clamp screw	
24	302709	Gear and shaft assy groove pin . . .	1			assy - Port, to motors 17000 . . .	1
25	302717	Steering handle bushing	1	89	376438	Stern bracket and clamp screw	
26	302712	Throttle control grip washer	1			assy - Port, to motors 17001 & up	1
27	376414	Throttle gear and shaft assy, long	1	90	376305	Stern brkt. and clamp screw assy -	
28	376354	Steering handle only	1			Starboard, to motors 17000	1
29	300258	Shift lever to shaft clamp screw . .	1	90	376439	Stern brkt. and clamp screw assy -	
30	300646	Bracket clamp screw	1			Starboard, motors 17001 and up.	1
31	306407	Lever to shaft clamp screw washer	1	91	375747	Clamp screw, swivel plate and ret.	2
32	306488	Shift lever to shaft lockwasher . . .	1	92	302420	Swivel plate retainer	2
33	375766	Shift lever assembly	1	93	307561	Clamp screw swivel plate	2
34	303722	Shift rod screw	1	94	302637	Tilting shaft conical washer	2
35	303721	Shift rod lever clip	1	95	303863	Manual locking lever arm	1
36	303191	Shift lever "O" ring	1	96	303957	Reverse lock arm to shaft link . . .	1
37	376287	Brkt. shift lever and shaft assy . .	1	97	303971	Reverse lock spring	1
38	306376	Shift rod pin cotter pin	1	98	306376	Reverse lock cotter pin	1
39	302504	Shift rod pin	1	99	303955	Reverse lock rod	1
40	303720	Shift rod lever	1	100	303954	Reverse locking lever	1
41	303870	Shift rod, upper	1	101	303956	Reverse lock shaft	1
42	303951	Pinion and switch to shaft screw . .	1	102	303953	Reverse lock link	1
43	376323	Mercury switch assembly	1	103	303933	Swivel bracket tilting bumper . . .	1
44	303806	Switch lead connector ins. tubing	1	104	303885	Swivel bracket	1
45	203529	Switch to motor cable terminal . . .	2	105	303889	Lower side mount screw nut	2
46	376296	Throttle gear and shaft assy, short	1	106	303880	Exh. tube rubber mount, lower side	2
47	303142	Throttle control pinion	1	107	303393	Retainer to exhaust tube screw . .	2
48	303107	Throttle control pinion washer . . .	1	108	303961	Bumper to exhaust tube retainer . .	2
49	304157	Throttle control gear, motors		109	303918	Exh. tube to mounting housing bumper	2
49	376429	Throttle gear and control lever		110	306461	Upper side mount screw	4
		assy, to motors 25920-03200		111	303887	Upper side mount, grd. lead washer	4
		and 25921-04213	1	112	303879	Exh. tube rubber mount, upper side	2
50	303854	Throttle control bushing	1	113	303393	Exhaust loading tube screw	2
51	304076	Steering bracket ground spring . . .	1	114	376330	Exhaust loading tube assembly . . .	1
52	306342	Ground lead screw nut	1	115	304026	Water tube grommet	1
53	304077	Ground lead to steering brkt. screw	1	116	302894	Ball sleeve lock screw	1
54	301827	Ground lead to steering brkt. washer	1	117	303872	Water tube, models 25920 and	
55	376349	Ground lead terminal and cable assy	1	118	304175	25921-17001 and up	1
56	303912	Upper front mount nut	2			Water tube adapter, 5" longer models	
57	303913	Rubber mount washer, upper front.	2	119	304174	25920 & 25921-17001 and up . . .	1
58	303889	Upper side mount screw nut	2			Adapter "O" ring, 5" longer, models	
59	304144	Lower mount hsg. screw washer . . .	2	120	306323	25920 & 25921-17001 & up	1
60	303890	Lower side mount nut	2	121	15A149	Water tube gland	1
61	303883	Lower mount to mount hsg. screw	2	122	376428	Motor head adapter stud	2
62	303886	Lower front mount screw washer . .	4	*	376437	Exhaust tube assembly	1
63	303898	Port to starboard housing screw . .	2			Water tube assy, model 25921 to	
64	303914	Lower mount housing - Port	1	123	304169	motors 17000	1
65	303915	Lower mount housing - Starboard	1	124	304168	Rubber mount gasket, lower front	1
						Rubber mount gasket, lower side . .	4

*Not Shown

ORDER YOUR PARTS FROM YOUR DISTRICT SERVICE STATION.

BIG TWIN *Electric* GEAR CASE

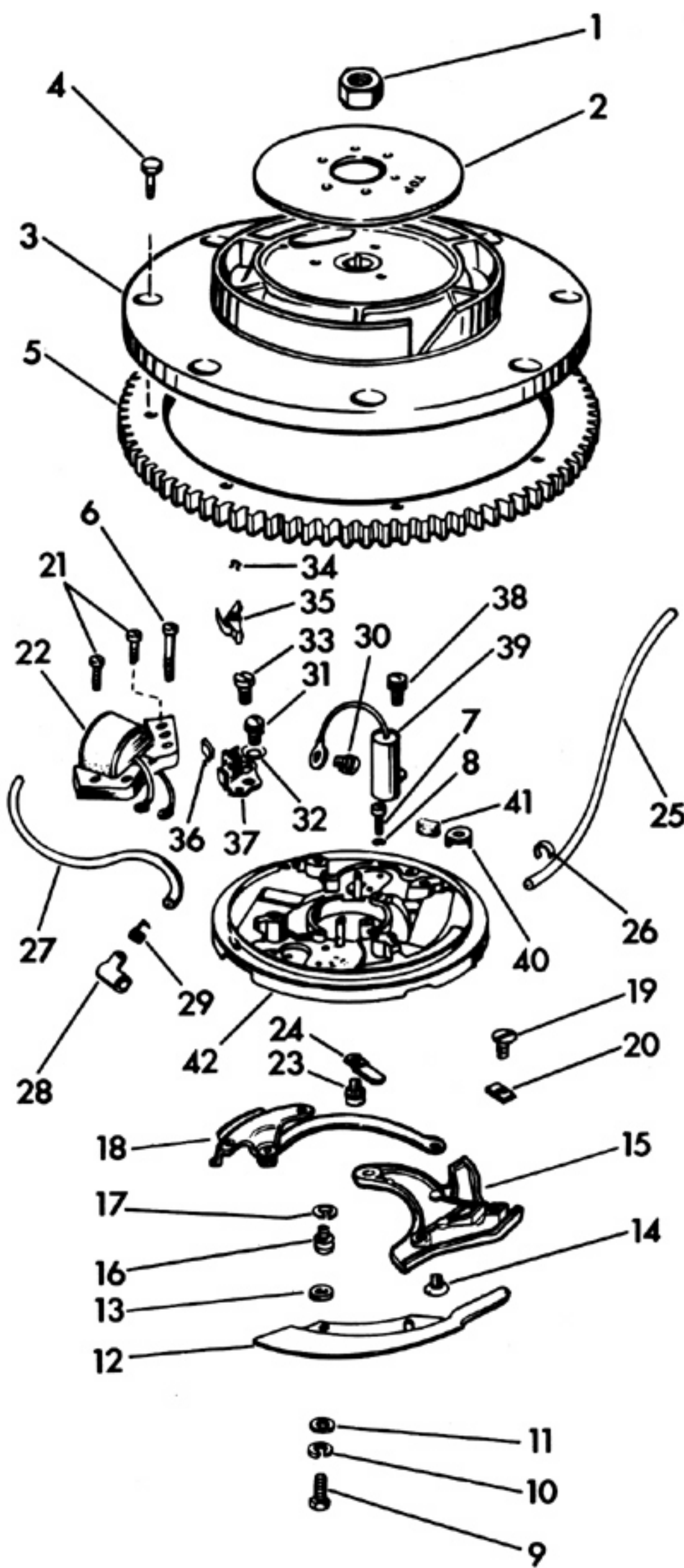


REF. NO.	PART NO.	NAME OF PART	QTY.	REF. NO.	PART NO.	NAME OF PART	QTY.
*	376423	Gear case assembly	1	31	302522	Propeller shaft	1
1	306394	Propeller nut cotter pin	1	32	306478	Drive shaft support screw	2
2	375773	Propeller nut	1	33	306522	Drive shaft support screw lock washer	2
3	302566	Propeller shear pin	1	34	302552	Drive shaft support	1
4	277095	Propeller and bushing	1	35	302796	Pinion bearing shim, .004" or	1
5	302510	Gear case to exhaust tube screw	6	35	302823	Pinion bearing shim, .006" or	1
6	302871	Exh. hsg. to gear case screw, rear	1	35	302797	Pinion bearing shim, .008" or	1
7	304070	Gear case screw	9	35	302798	Pinion bearing shim, .010"	1
8	300611	Gear case to oil retainer dowel	1	36	302545	Drive shaft oil retainer	1
9	302604	Lower to upper gear case seal	1	37	304084	Drive shaft to gear case bushing, upper	1
10	306376	Shift rod shifter lever cotter pin	1	38	303059	Drive shaft to crankshaft seal	1
11	302504	Shift rod pin	1	39	302677	Impeller housing screw	3
12	302501	Pivot pin, to motors 25920-11707 and 25921-14000	1	40	303831	Water pump impeller housing	1
12	303358	Pivot pin, motors 25920-11708 and up, 25921-14001 and up	1	41	375808	Impeller	1
13	304083	Pivot pin washer, motors 25920-11708 & up, 25921-14001 & up	1	42	303866	Impeller housing plate.	1
14	302650	Cradle	1	43	300771	Impeller pin	1
15	375787	Shift lever and pin assembly	1	44	303871	Drive shaft	1
16	301877	Lower shift rod "O" ring	1	44	304033	Drive shaft, 5" longer.	1
17	301878	Lower shift rod bushing	1	45	307551	Drain and fill screw.	2
18	303869	Shift rod, lower	1	46	307552	Drain and fill screw washer.	2
18	304034	Shift rod, lower, 5" longer	1	47	300077	Water intake screen plug	1
19	375761	Prop. shaft roller brg. with cup	1	48	302521	Water intake screen.	1
20	375861	Matched gears with pinion bearing	1	49	302509	Water by-pass cover screw.	2
21	375829	Pinion roller bearing and cup assy	1	50	302616	Water by-pass cover	1
22	303690	Reverse gear bushing	1	51	376409	Gear case assembly, upper and lower	1
23	302565	Propeller shaft thrust washer	2	52	304030	Gear case extension, 5" longer	1
24	375783	Shifter clutch dog assembly.	1	53	302510	Extension to exhaust tube screw, 5" longer	6
25	302588	Oil retainer housing "O" ring	1	54	304135	Exhaust housing to gear case screw, rear, 5" longer	1
26	303050	Propeller shaft oil seal retainer housing	1				
27	302564	Propeller shaft oil seal	1				
28	307545	Propeller shaft ball bearing	1				
29	302528	Gear case retaining ring	1				
30	302743	Reverse gear thrust washer	1				

*Not Shown

ORDER YOUR PARTS FROM YOUR DISTRICT SERVICE STATION

BIG TWIN *Electric* MAGNETO

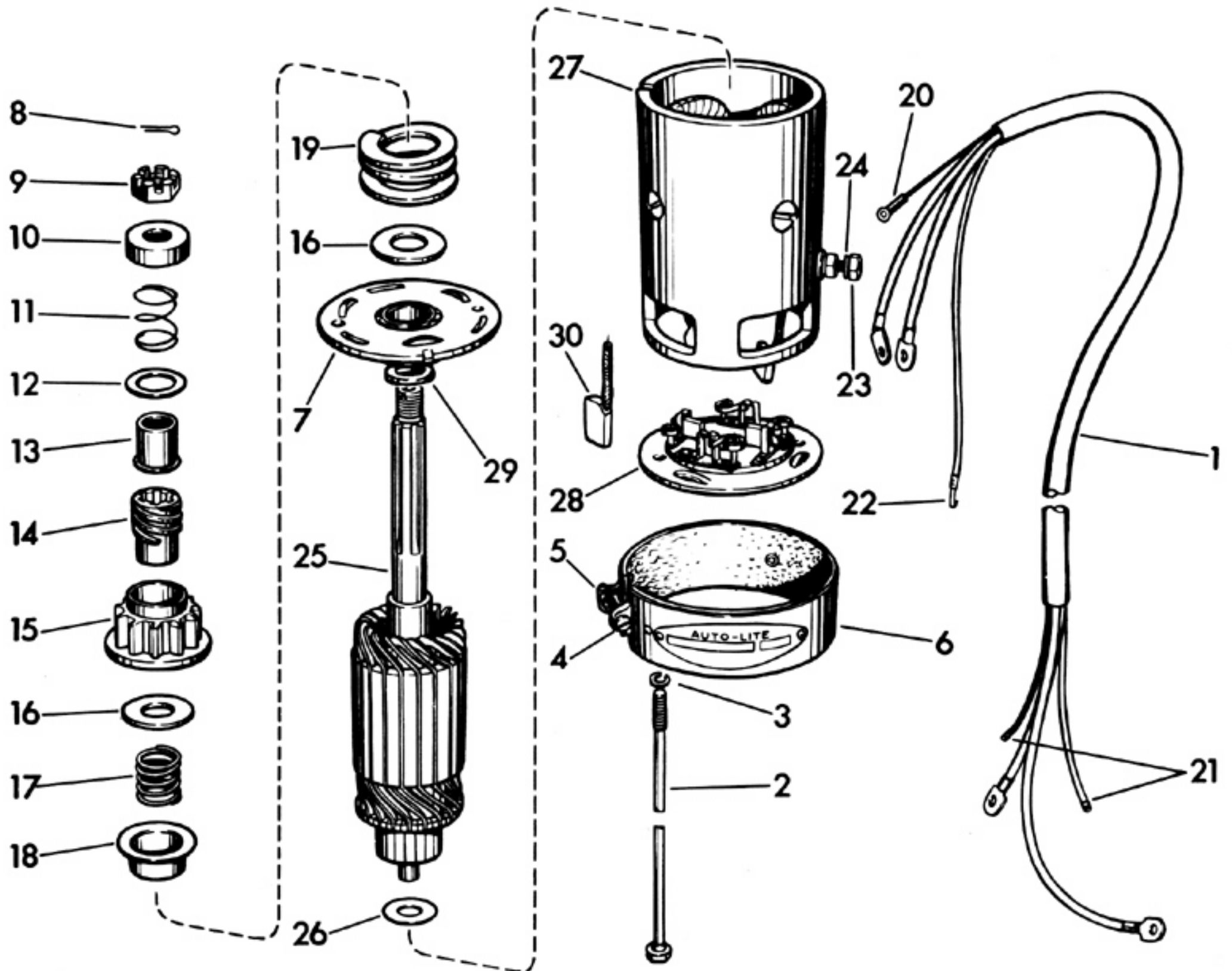


REF. NO.	PART NO.	NAME OF PART	QTY.
*	376195	Flywheel and ring gear assembly	1
1	305984	Crankshaft nut and lockwasher	1
2	303249	Inspection hole cover	1
3	580177	Flywheel assembly	1
4	303698	Ring gear to flywheel screw	8
5	203486	Starter ring gear	1
6	510191	Armature mounting screw	2
7	510192	Armature plate mounting screw	2
8	306310	Armature plate mounting screw lock washer	2
9	302750	Cam to armature plate screw	2
10	306546	Throttle cam to armature plate screw lock washer	2
11	306547	Throttle cam to armature plate screw washer	2
12	303771	Throttle control cam	1
13	303952	Throttle cam to armature plate spacer	2
14	302104	Anchor to armature plate screw	2
15	303849	H. T. lead to armature plate anchor	1
16	302812	Stop to armature plate screw	1
17	306546	Shifter lock stop screw lock washer	1
18	376328	Shifter lock stop and link assy	1
19	302751	H. T. lead to armature plate anchor screw	1
20	303741	H. T. lead to armature plate anchor clamp	1
*	580180	Armature plate assembly	1
21	510195	Lamination mounting screw	4
22	584477	Coil and lamination assembly	2
23	510193	H. T. lead mounting screw	1
24	510190	H. T. lead clamp	1
*	580146	H. T. lead assembly - lower	1
*	580135	H. T. lead assembly - upper	1
25	510203	H. T. lead only - upper	1
26	120783	H. T. lead marker - upper	1
27	510210	H. T. lead only - lower	1
28	510232	Spark plug rubber cover	2
29	510231	Spark plug lead spring terminal	2
30	510194	Breaker terminal screw	2
31	510278	Breaker mounting screw	2
32	510208	Breaker mounting bow washer	2
33	510185	Breaker eccentric screw	2
*	580148	Breaker assembly	2
34	307594	Spring clip	2
35	580174	Rocker arm assembly	2
36	510204	Breaker spring clip	2
37	580173	Breaker base assembly	2
38	510193	Condenser mounting screw	2
39	580321	Condenser	2
40	510188	Oiler clip	1
41	510189	Oiler wick	1
42	580168	Armature plate and post assembly	1

*Not Shown

ORDER YOUR PARTS FROM YOUR DISTRICT SERVICE STATION.

BIG TWIN *Electric* STARTER MOTOR



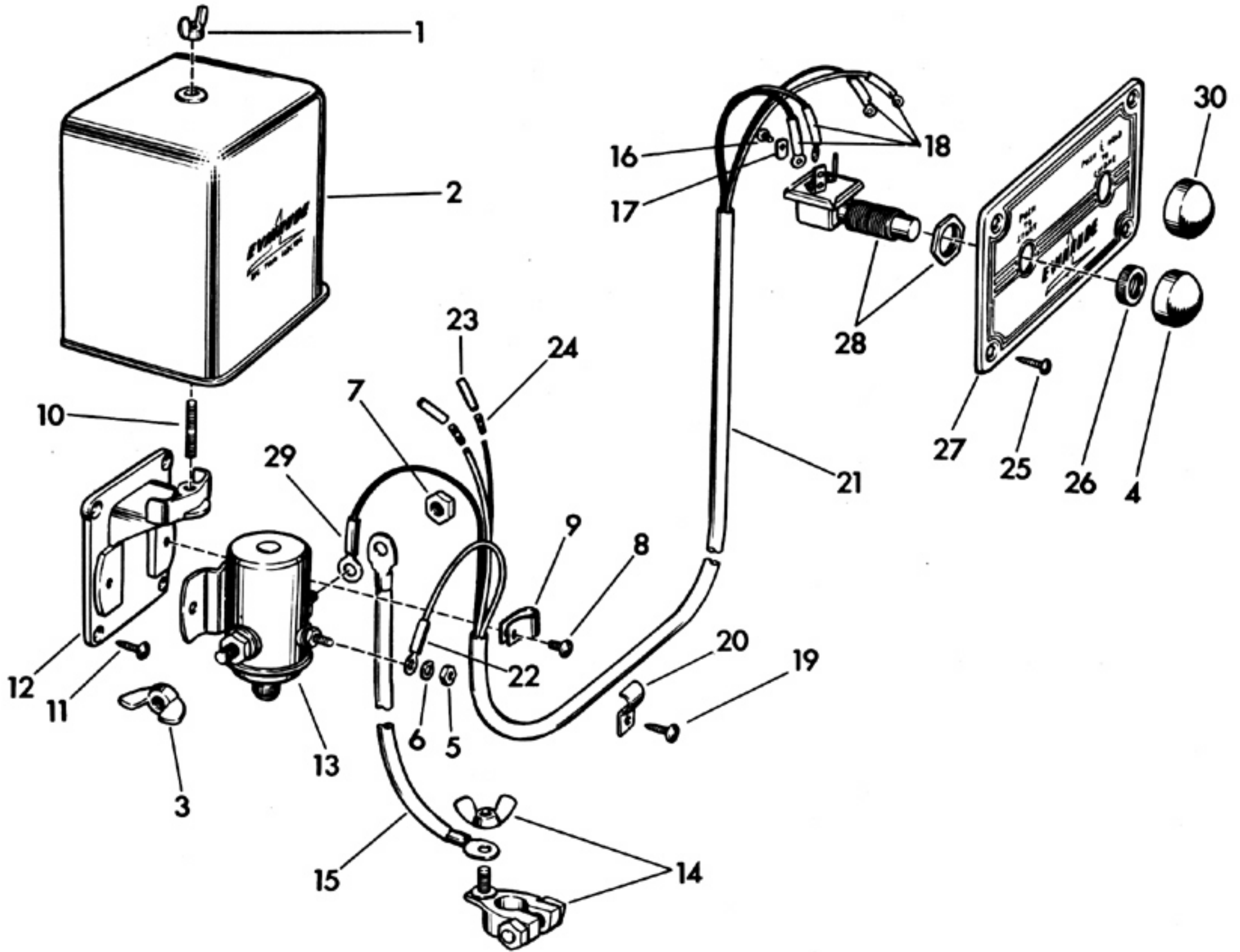
REF. NO.	PART NO.	NAME OF PART	QTY.	REF. NO.	PART NO.	NAME OF PART	QTY.
*	277311	Starter motor assembly	1	14	203559	Starter motor screw shaft	1
1	277326	Starter motor to junction box and battery cable assembly . .	1	15	203556	Starter motor pinion.	1
2	203530	Starter motor to bracket frame screw	2	16	203568	Starter motor thrust washer . . .	2
3	306396	Starter motor to frame screw lock washer	2	17	203561	Starter motor meshing spring . .	1
4	303808	Starter motor band cover screw	1	18	203566	Starter motor drive spring support.	1
5	302054	Cover band screw nut	1	19	203567	Starter motor drive spring	1
6	277332	Starter motor head band assembly	1	20	203525	Choke switch to carburetor solenoid terminal	1
7	277337	Starter motor end plate assembly	1	21	203527	Motor cable to connector terminal, non-lock type	2
*	277336	Starter motor Bendix drive assembly	1	22	203529	Mercury switch to motor cable terminal	1
8	120219	Armature shaft nut cotter pin . .	1	23	303932	Starter motor terminal nut	1
9	203569	Starter motor Bendix drive nut . .	1	24	306396	Starter motor terminal nut lock washer.	1
10	203557	Starter motor pinion spring cup. .	1	25	†	Armature assembly	1
11	203562	Starter motor anti-drift spring . .	1	26	†	Thrust washer - armature - lower	1
12	203560	Starter motor pinion washer . . .	1	27	†	Frame and field assembly	1
13	203558	Starter motor anti-drift spring sleeve	1	28	†	Commutator end head assembly. .	1
				29	†	Thrust washer - armature - upper	1
				30	277412	Starter motor brush set	1

*Not Shown

†These parts must be serviced and ordered through local Auto-Lite dealer. Insist on Marine treated parts furnished for Outboard Motor Service only.

ORDER YOUR PARTS FROM YOUR DISTRICT SERVICE STATION.

BIG TWIN *Electric* JUNCTION BOX AND SWITCH PLATE GROUP

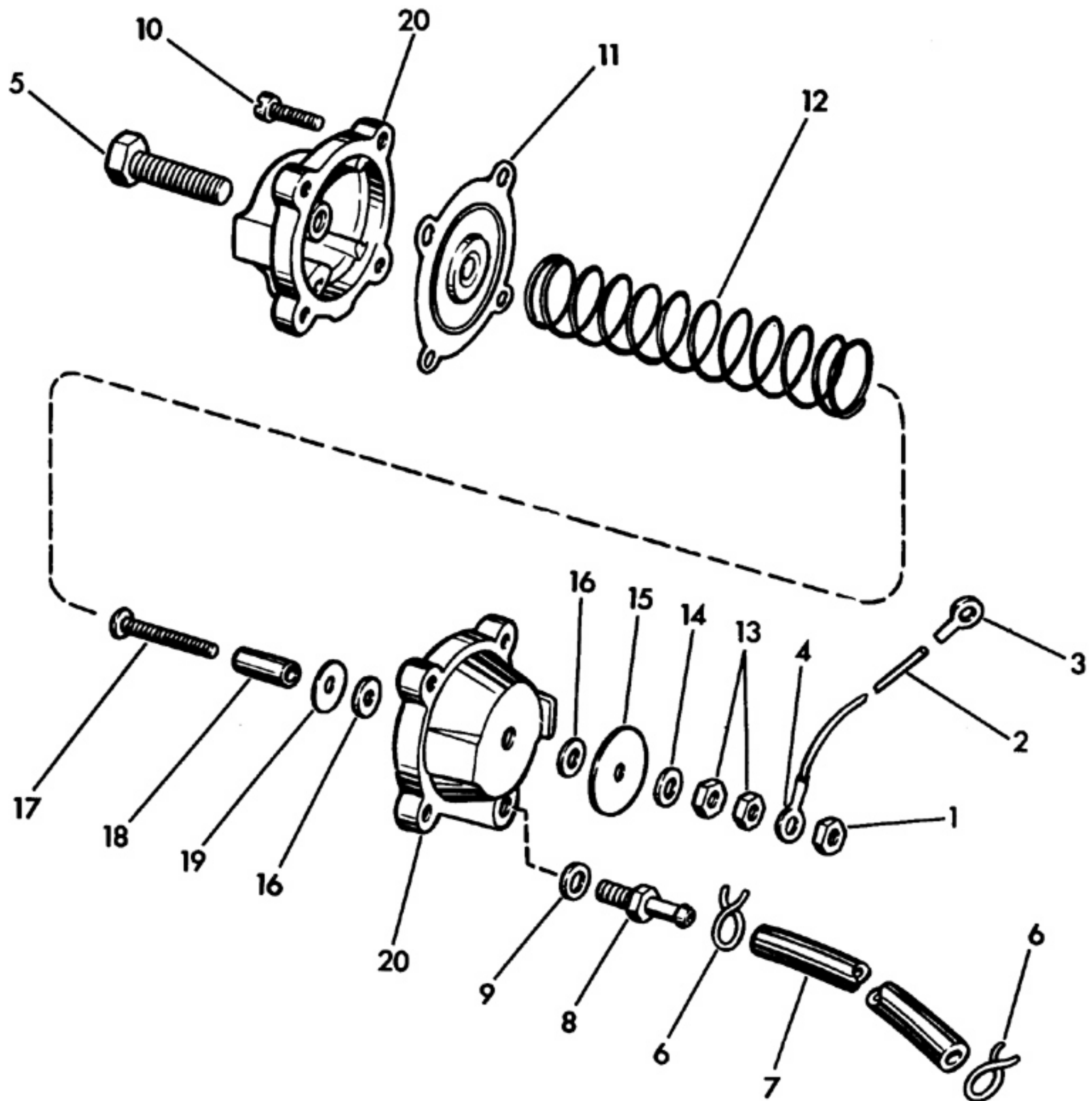


REF. NO.	PART NO.	NAME OF PART	QTY.	REF. NO.	PART NO.	NAME OF PART	QTY.
*	277321	Junction box and switch plate assembly	1	17	203550	Choke and starter switch screw lock washer	4
1	203511	Solenoid bracket to cover wing nut	1	18	203512	Switch cable to choke and starter switch terminal	4
2	277343	Junction box cover.	1	19	303777	Switch cable clamp to boat screw.	4
3	203532	Motor cable to solenoid wing nut	1	20	203505	Switch cable to boat clamp	4
4	203659	Starter switch button cover	1	21	277325	Switch plate to junction box cable assembly	1
5	306556	Switch wire to solenoid nut	1	*	203526	Switch plate to junction box cable: supplied in 100 ft. rolls only	1
6	120052	Switch wire to solenoid nut lock washer	1	22	203525	Starter switch to solenoid terminal	1
7	303783	Battery cable to solenoid nut	1	23	277327	Switch cable to motor cable connector assembly	2
8	306460	Solenoid to bracket screw	2	24	203524	Switch cable to connector terminal lock type	2
9	203501	Switch cable to solenoid bracket clamp	1	25	303776	Switch plate to boat screw	4
10	203510	Solenoid mounting bracket stud	1	26	203658	Choke & starter plate to switch nut	2
11	303776	Solenoid bracket to boat screw	4	27	203499	Switch plate	1
12	203506	Starter solenoid mounting bracket	1	28	277382	Choke and starter switch assembly	2
13	277317	Starter switch solenoid assembly	1	29	203523	Choke switch to solenoid terminal	1
14	277324	Battery terminal assembly	2	*	203502	Junction box cover transfer	1
15	277323	Battery to starter solenoid cable assembly	1	*	203507	Junction box wiring assy transfer.	1
16	306559	Choke and starter switch terminal screw	4	30	203660	Choke switch button cover	1

*Not Shown

ORDER YOUR PARTS FROM YOUR DISTRICT SERVICE STATION.

BIG TWIN *Electric* CUTOUT SWITCH

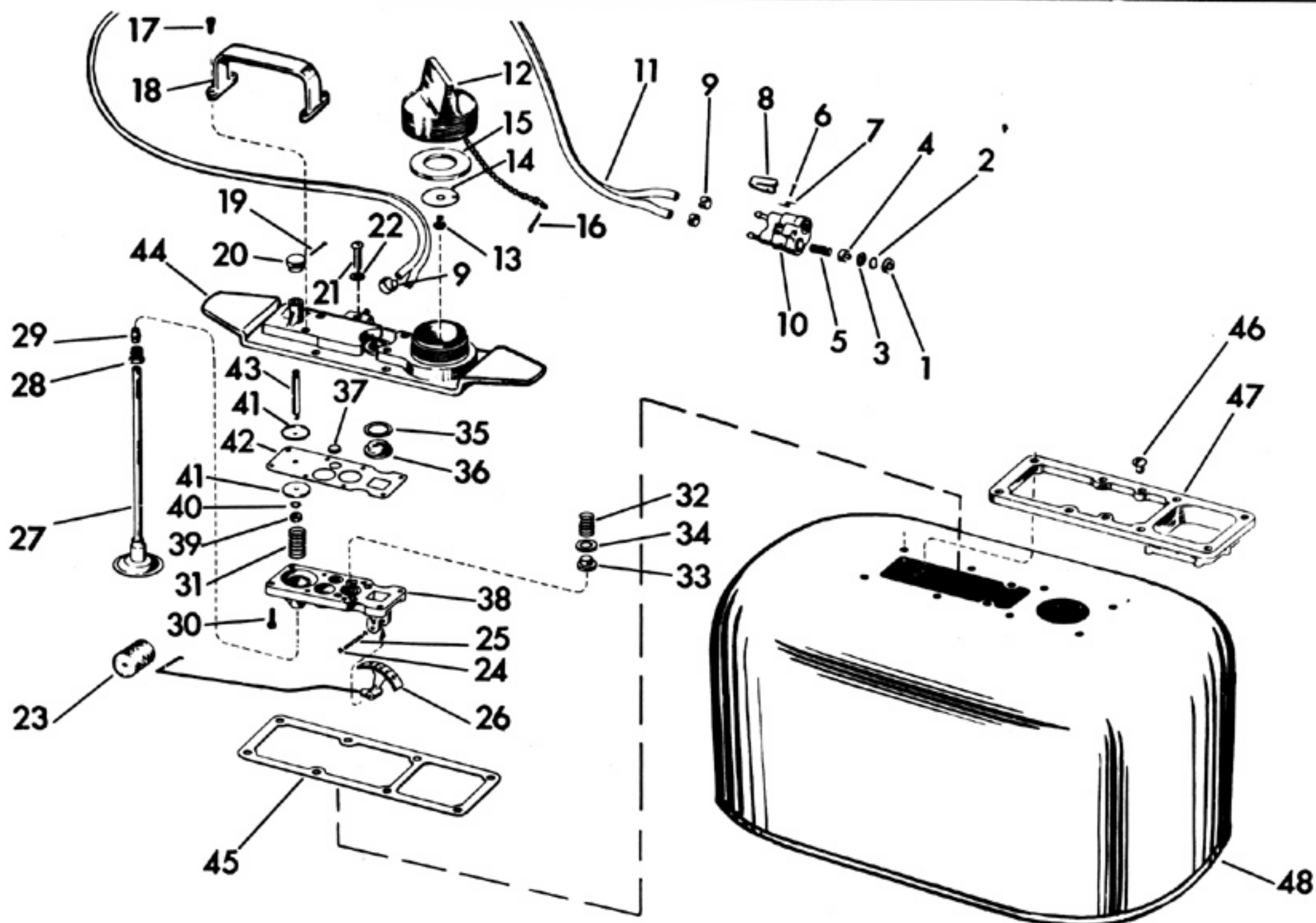


REF. NO.	PART NO.	NAME OF PART	QTY.	REF. NO.	PART NO.	NAME OF PART	QTY.
1	130450	Contact screw cut-out switch nut .	1	14	306547	Washer, nut to insulating washer .	1
2	580181	Cut-out switch to armature plate lead assembly	1	15	303723	Insulating washer - large	1
3	510268	Terminal	1	16	510126	Insulating washer, to motors 17000	2
4	510266	Terminal	1	16	304183	Insulating washer, motors 17001 & up	2
*	376442	Cut-out switch assembly	1	17	303724	Cut-out switch contact screw, to motors 17000	1
5	302479	Cut-out switch mounting screw . .	1	17	304182	Cut-out contact screw, motors 17001 and up	1
6	302647	Cut-out switch hose clamp	2	18	303893	Cut-out switch tubing	1
7	203286	Cut-out switch to manifold hose .	1	19	71X431	Insulating washer, to motors 17000	1
8	303638	Cut-out switch nipple, to motors 17000	1	20	303733	Cut-out switch body, to motors 17000	2
9	303630	Nipple to cut-out switch washer, to motors 17000	1	20	304179	Cut-out body, inner, motors 17001 and up	1
10	1X132	Cut-out body halves screw	4	20	376443	Cut-out body and nipple assy, outer, motors 17001 and up	1
11	375807	Diaphragm and plate assembly . .	1				
12	302733	Cut-out switch spring	1				
13	130450	Cut-out switch contact screw nut .	2				

*Not Shown

ORDER YOUR PARTS FROM YOUR DISTRICT SERVICE STATION.

BIG TWIN *Electric* FUEL TANK



REF. NO.	PART NO.	NAME OF PART	QTY.	REF. NO.	PART NO.	NAME OF PART	QTY.
*	277237	Fuel tank assembly	1	22	301814	Support plate to housing screw gasket	8
1	301828	Fuel connector seal ring retainer.	2	23	302559	Fuel tank float	1
2	301824	Fuel connector seal "O" ring . . .	2	24	302654	Indicator pin snap ring	2
3	301827	Fuel connector valve guide washer	2	25	302653	Indicator to lower housing pin . .	1
4	301826	Fuel connector valve	2	26	375778	Indicator assembly	1
5	301825	Fuel connector valve spring	2	27	375846	Fuel tank foot valve assembly. . .	1
6	301832	Fuel connector lock rivet	1	28	132691	Fuel line nut	1
7	301829	Fuel connector lock spring	1	29	306344	Fuel line gland	1
8	301830	Fuel connector lock	1	30	306357	Lower to upper housing screw . .	8
9	301822	Hose clamp	4	31	301803	Fuel pump spring	1
10	375587	Fuel connector housing assembly . .	1	32	302135	Pressure release valve spring . .	1
11	301821	Fuel tank to connector hose standard length	1	33	302136	Pressure release valve	1
11	302379	Fuel tank to connector hose, (specify length)	1	34	302137	Pressure release valve washer . .	1
12	375817	Filler cap assembly	1	35	302571	Fuel tank seal	1
13	301837	Filler cap screw.	1	36	302568	Fuel tank glass	1
14	302560	Filler cap plate	1	37	301802	Disc valve	1
15	301835	Filler cap gasket	1	38	302555	Fuel tank lower housing.	1
16	306372	Filler cap chain cotter pin	1	39	21X195	Push rod nut.	1
17	306357	Handle to housing screw, upper. . .	4	40	301736	Push rod lock washer	1
18	302570	Fuel tank handle	1	41	301800	Fuel pump diaphragm support . . .	2
19	306387	Push button cotter pin.	1	42	302563	Fuel pump diaphragm	1
20	301815	Fuel pump push button	1	43	302561	Fuel pump push rod	1
21	304137	Support plate to housing screw, long	8	44	376276	Fuel tank housing, upper	1
				45	302557	Fuel tank gasket.	1
				46	306492	Support plate to plate screw . . .	2
				47	302556	Fuel tank support plate	1
				48	277238	Fuel tank only	1

*Not Shown

ORDER YOUR PARTS FROM YOUR DISTRICT SERVICE STATION.