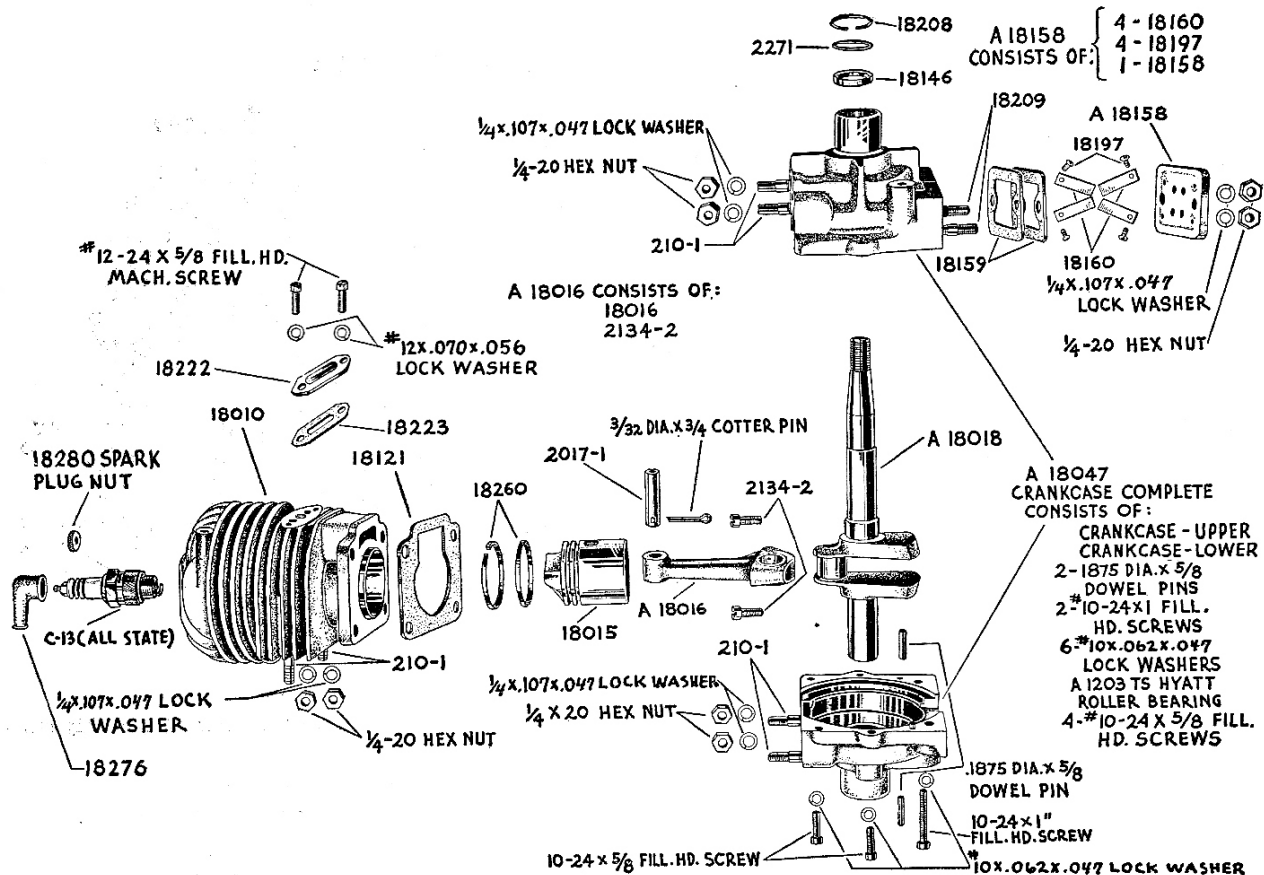


1.25 HP

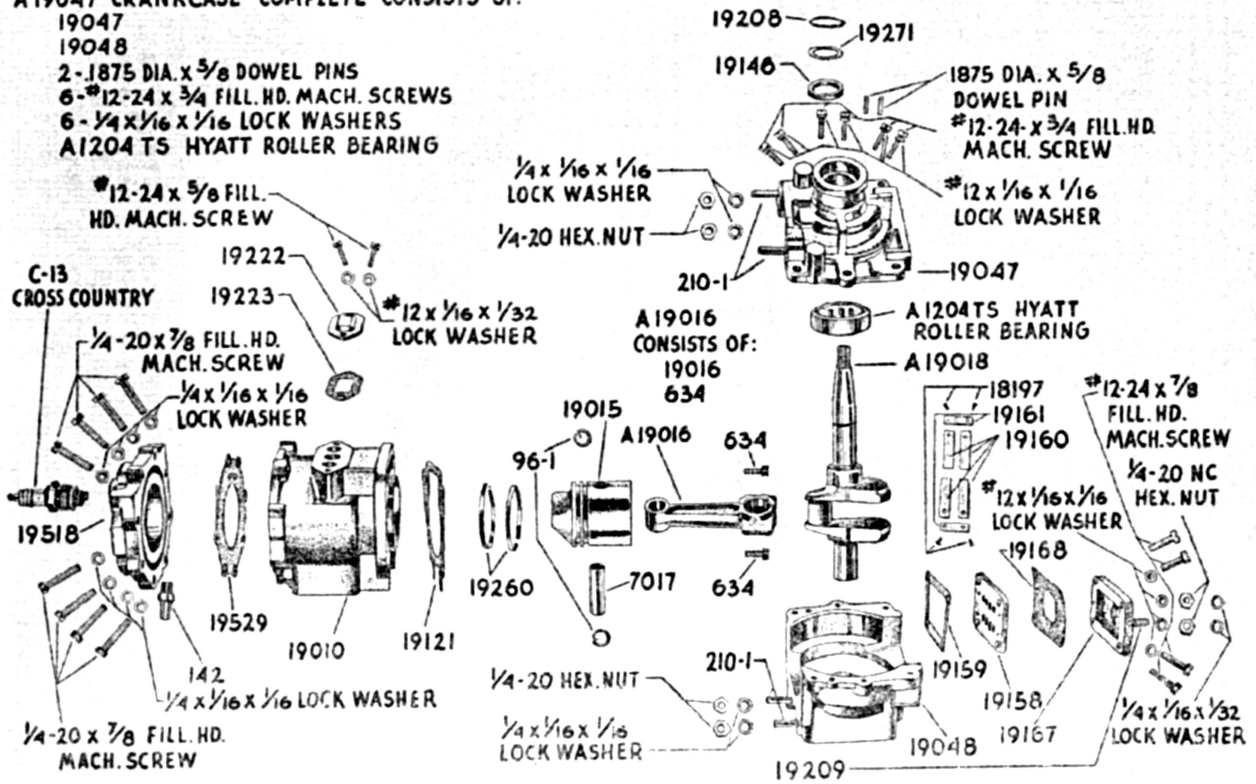
Power Head



2.5 hp Power Head

A19047 CRANKCASE COMPLETE CONSISTS OF:

- 19047
- 19048
- 2-.1875 DIA. x 5/8 DOWEL PINS
- 6-#12-24 x 3/4 FILL. HD. MACH. SCREWS
- 6-1/4 x 1/16 x 1/16 LOCK WASHERS
- A1204 TS HYATT ROLLER BEARING



2 HP Power Head

