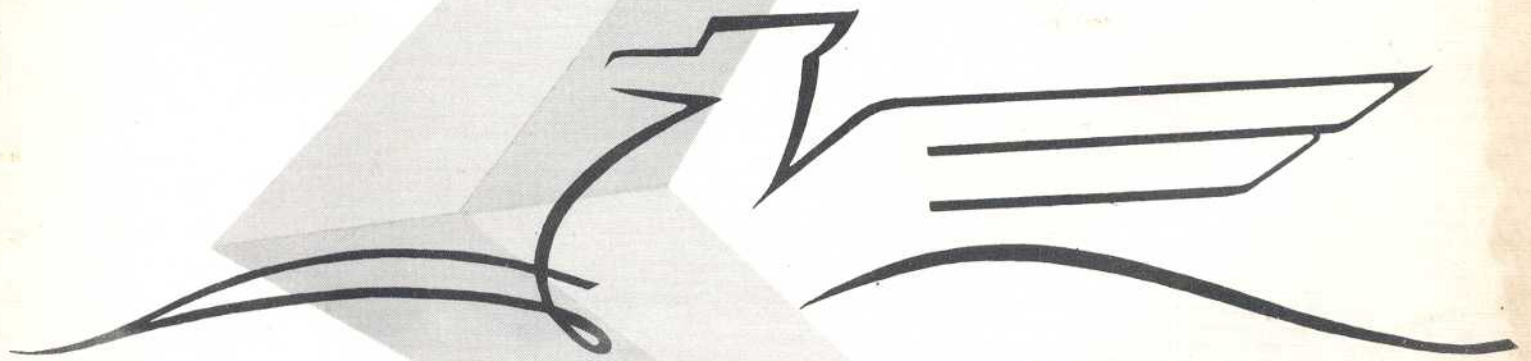


Johnson motors

**parts
catalog**



MODELS

AD-ADL-10

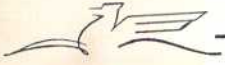
7½ hp

Distributors for British Columbia
HOFFARS LIMITED

1625 First Ave. West
VANCOUVER 9, - B. C.

PETERBOROUGH, CANADA

J O H N S O N M O T O R S



WARRANTY

We warrant each new outboard motor of our manufacture to be free from defects in material and workmanship under normal use and service, our obligation under this warranty being limited to making good at the factory any part or parts thereof which shall, within three months after initial use, or within one year from date of original purchase, whichever first occurs, be returned to us with transportation charges prepaid, and which our examination shall disclose to our satisfaction to have been thus defective; this warranty being expressly in lieu of all other warranties and representations expressed or implied and of all other liabilities in connection with the sale or use of any motors.

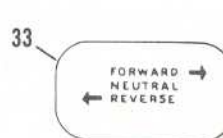
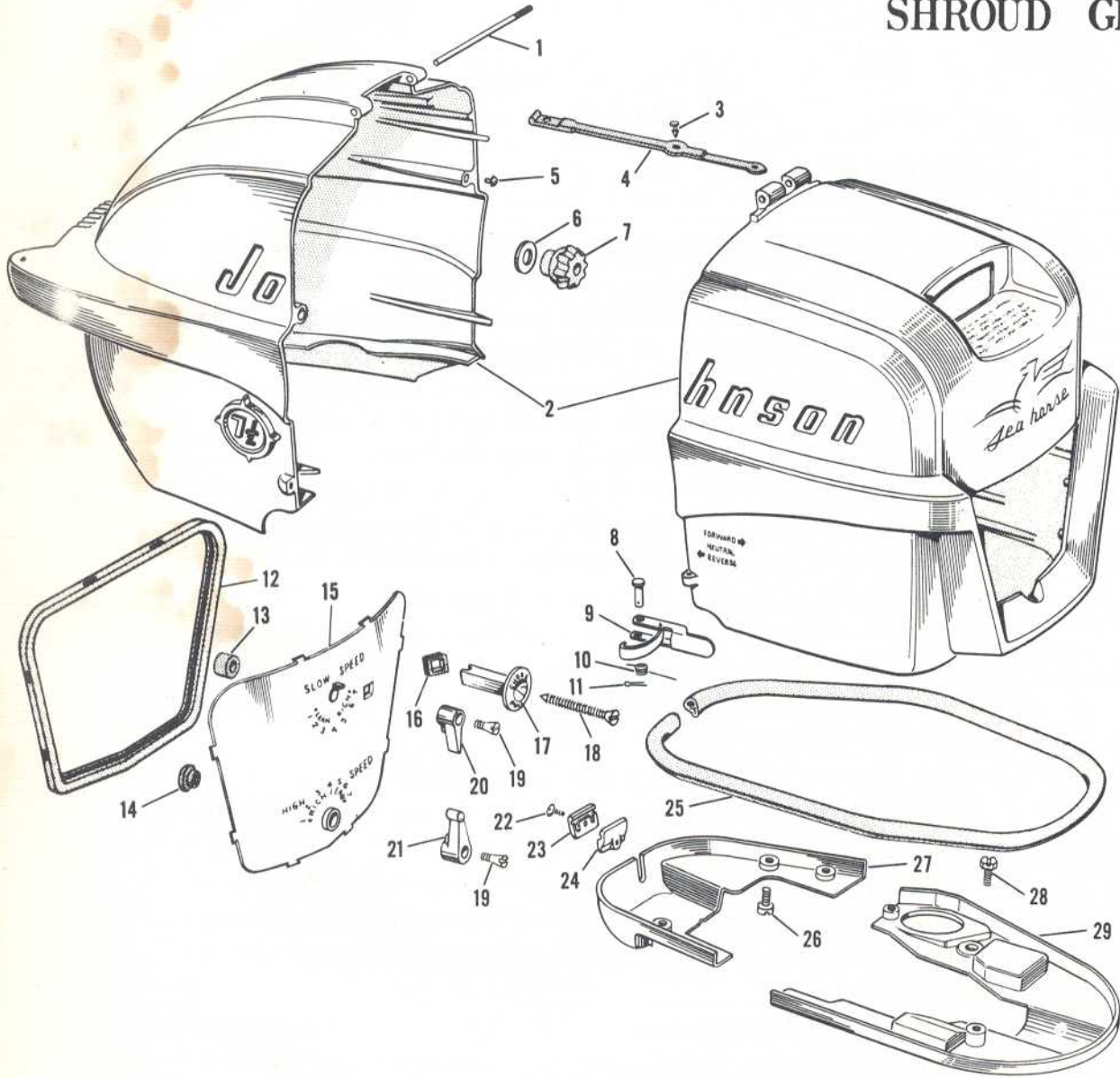
This warranty shall not apply to any motor which shall have been repaired or altered outside the factory in any way so as to affect its stability, nor which has been subject to misuse, negligence or accident, or operated for racing purposes or operated in any other way than in accordance with our operating instructions.

We make no warranty in respect to trade accessories not of our manufacture, inasmuch as they are usually warranted separately by their respective manufacturers.

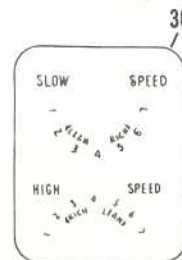
Because of the unusual strains and accidents to which such products may be subjected, we make no warranty of either material or workmanship in racing outboard motors or any of our products when used for racing.

Claims must be entered on motors or motor parts returned to the factory for inspection, repair or replacement. Request form No. SE-6 from local Johnson Dealer or Service Station. **This form should be filled in, signed by the motor owner and dealer or service station representatives and mailed to the factory with returned material. TRANSPORTATION CHARGES PREPAID.**

SHROUD GROUP



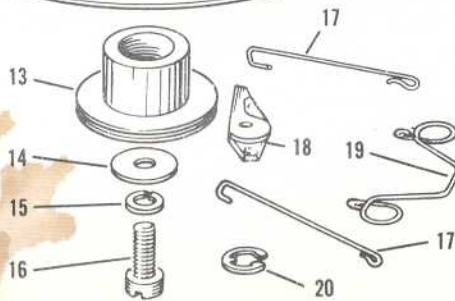
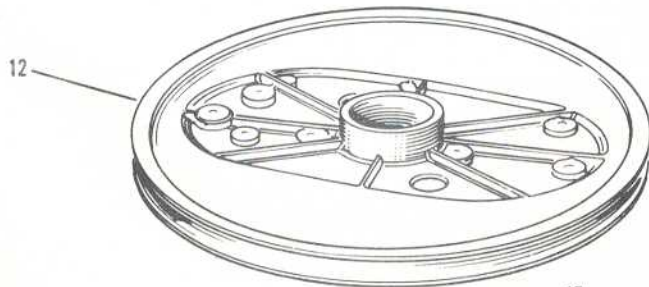
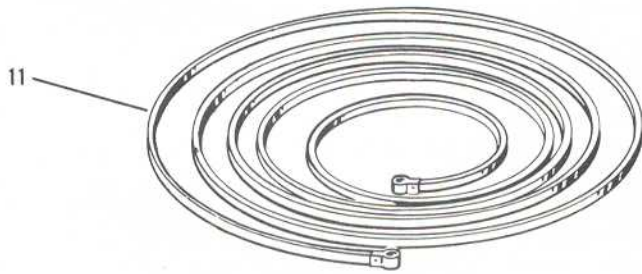
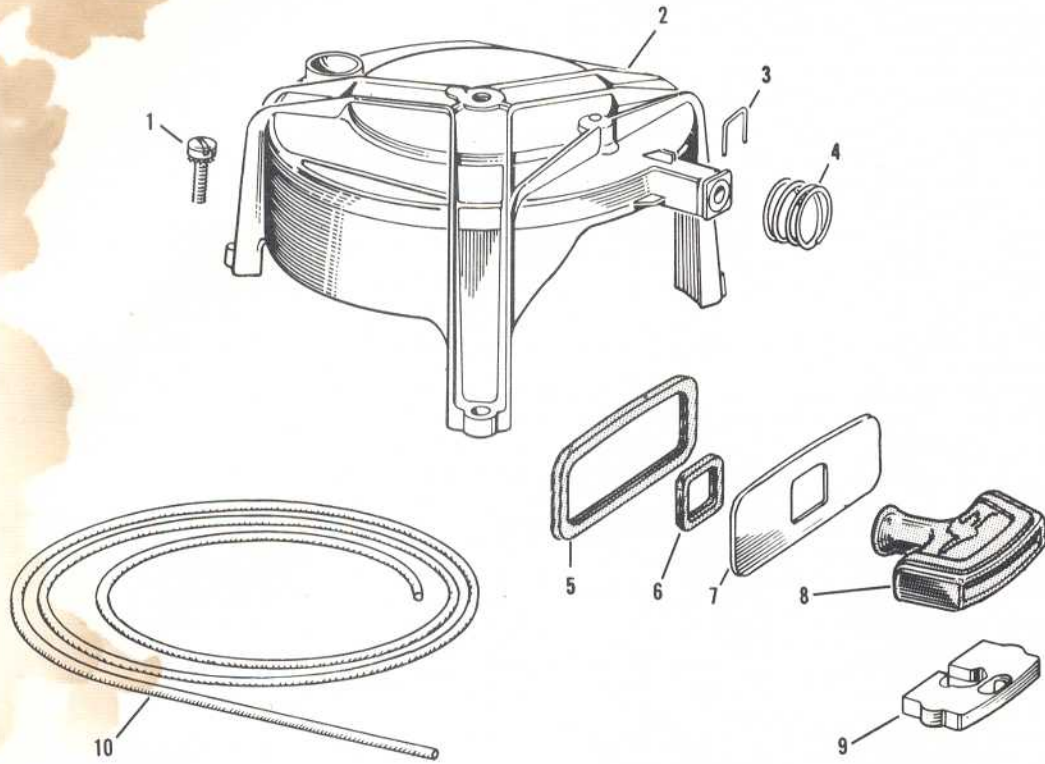
TO START
 1 Start in Neutral. 2 Connect fuel line.
 3 Pump fuel primer until pressure is felt.
 4 Set speed control at start of full.
 5 Pull choke out and start.
 (Manufacturer's note)
 Read the manual for complete instructions.
 SPARK PLUG: 16mm gap. For more information
 1940 O&C Catalogue, page 11.



BE SURE TO SPECIFY MODEL AND SERIAL NUMBER
OF MOTOR WHEN ORDERING PARTS

PHOTO NO.	PART NO.	NAME OF PART	QTY. PER MOTOR
1	303536	Hinge Pin	1
2	376542	Shroud & Transfer Assembly	1
3	304485	Pin	1
4	376627	Strap & Pin Assembly	1
5	203290	Bumper	2
6	303565	Washer	2
7	304461	Bumper	2
8	303522	Pin	2
9	376129	Clamp & Lever Assembly	2
10	303519	Spring	2
11	303590	Cotter Pin	2
12	304303	Grommet	1
13	303532	Sleeve	1
14	303535	Grommet	1
15	376519	Control Panel & Transfer Assembly	1
16	303796	Grommet	1
17	303718	Choke Knob	1
18	302761	Screw	1
19	551517	Screw	2
20	303847	Lever - Slow Speed	1
21	304360	Lever - High Speed	1
22	304022	Screw	1
23	304021	Clamp - Outer	1
24	304020	Clamp - Inner	1
25	304297	Seal	1
26	304013	Screw	6
27	304240	Cover - Lower - Rear	1
28	304015	Screw	1
29	304239	Cover - Lower - Front	1
30	304334	Transfer - Johnson - Port & Starboard	2
31	304383	Medallion - "7-1/2"	2
32	304387	Nut	4
33	304349	Transfer - Gearshift	1
34	304339	Transfer - Sea Horse - Front	1
35	304372	Transfer - Starting	1
36	304307	Transfer - Control Panel	1

ORDER ALL PARTS FROM YOUR JOHNSON SEA-HORSE DEALER

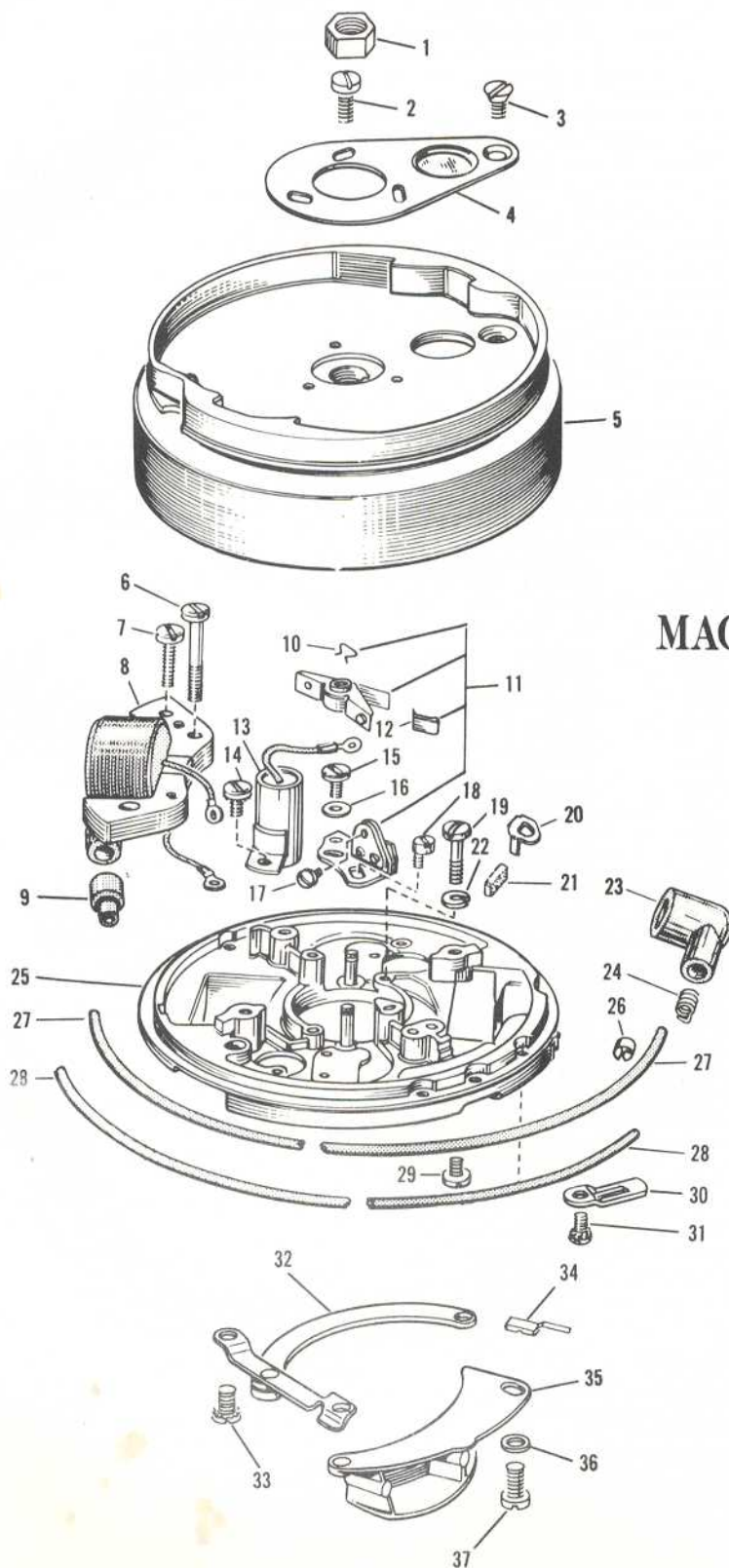


STARTER GROUP

BE SURE TO SPECIFY MODEL AND SERIAL NUMBER
OF MOTOR WHEN ORDERING PARTS

PHOTO NO.	PART NO.	NAME OF PART	QTY. PER MOTOR
1	303288	Screw	3
2	376669	Starter Housing & Pin Assembly	1
	(376783	Starter Assembly Complete)	1
3	304237	Spring Clip	1
4	304235	Spring	1
5	303529	Grommet	1
6	304236	Grommet	1
7	304238	Cover	1
8	304324	Handle	1
9	304323	Anchor	1
10	203820	Rope	1
11	41-197	Spring	1
12	376670	Starter Pulley & Pin Assembly	1
13	203699	Spindle	1
14	202356	Washer	1
15	13-51	Lockwasher	1
16	13-588	Screw	1
17	203713	Link	2
18	203698	Pawl	1
19	203697	Friction Spring	1
20	203470	Retaining Ring	1

ORDER ALL PARTS FROM YOUR JOHNSON SEA-HORSE DEALER

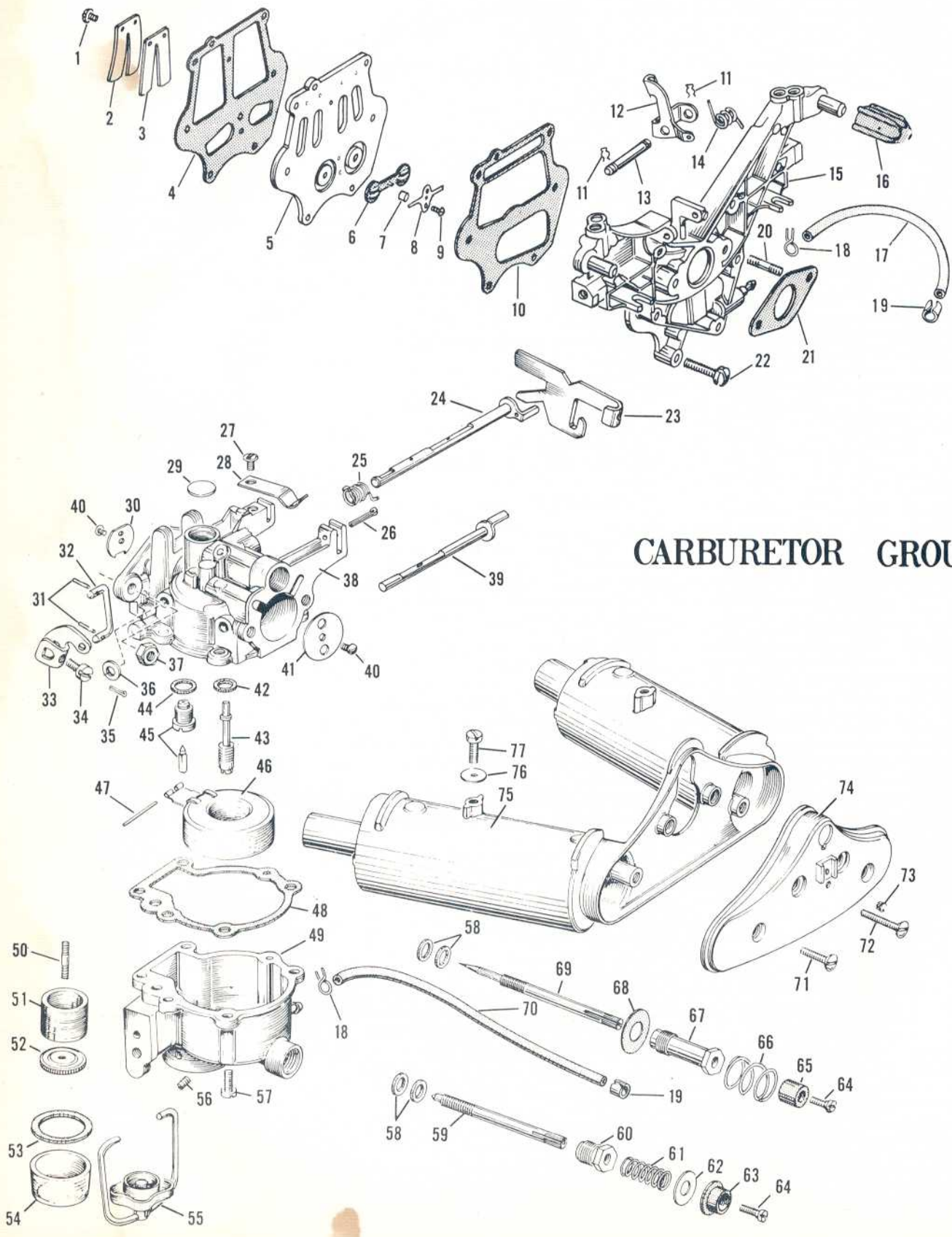


MAGNETO GROUP

BE SURE TO SPECIFY MODEL AND SERIAL NUMBER
OF MOTOR WHEN ORDERING PARTS

PHOTO NO.	PART NO.	NAME OF PART	QTY. PER MOTOR
1	301988	Nut	1
2	203751	Screw	3
3	510293	Screw	1
4	510292	Cover	1
5	580218	Flywheel & Cover Assembly	1
6	510191	Screw	2
7	510195	Screw	4
8	580118	Coil & Lamination Assembly	2
9	510289	Grommet	2
10	71-1052	Spring Clip	2
11	580148	Breaker Point Assembly	2
12	510204	Clip	2
13	510173	Condenser	2
14	510193	Screw	3
15	510278	Screw	4
16	510208	Bow Washer	2
17	510194	Screw	2
18	510185	Eccentric Screw	2
19	510192	Screw	2
20	510188	Oiler Clip	1
21	510189	Oiler Wick	1
22	3-28	Lockwasher	2
23	510232	Cover	2
24	510231	Spring Terminal	2
25	580210	Armature Plate & Post Assembly	1
	(580219	Armature Plate Assembly)	1
26	120783	Marker	1
27	580178	High Tension Lead - Upper with Terminal	1
28	580179	High Tension Lead - Lower with Terminal	1
29	510278	Screw	4
30	510259	Clamp	1
31	510193	Screw	3
32	376064	Plate & Link Assembly	1
33	510193	Screw	2
34	303146	Spring Clip	1
35	203888	Cam	1
36	303952	Washer	4
37	302750	Screw	2

ORDER ALL PARTS FROM YOUR JOHNSON SEA-HORSE DEALER



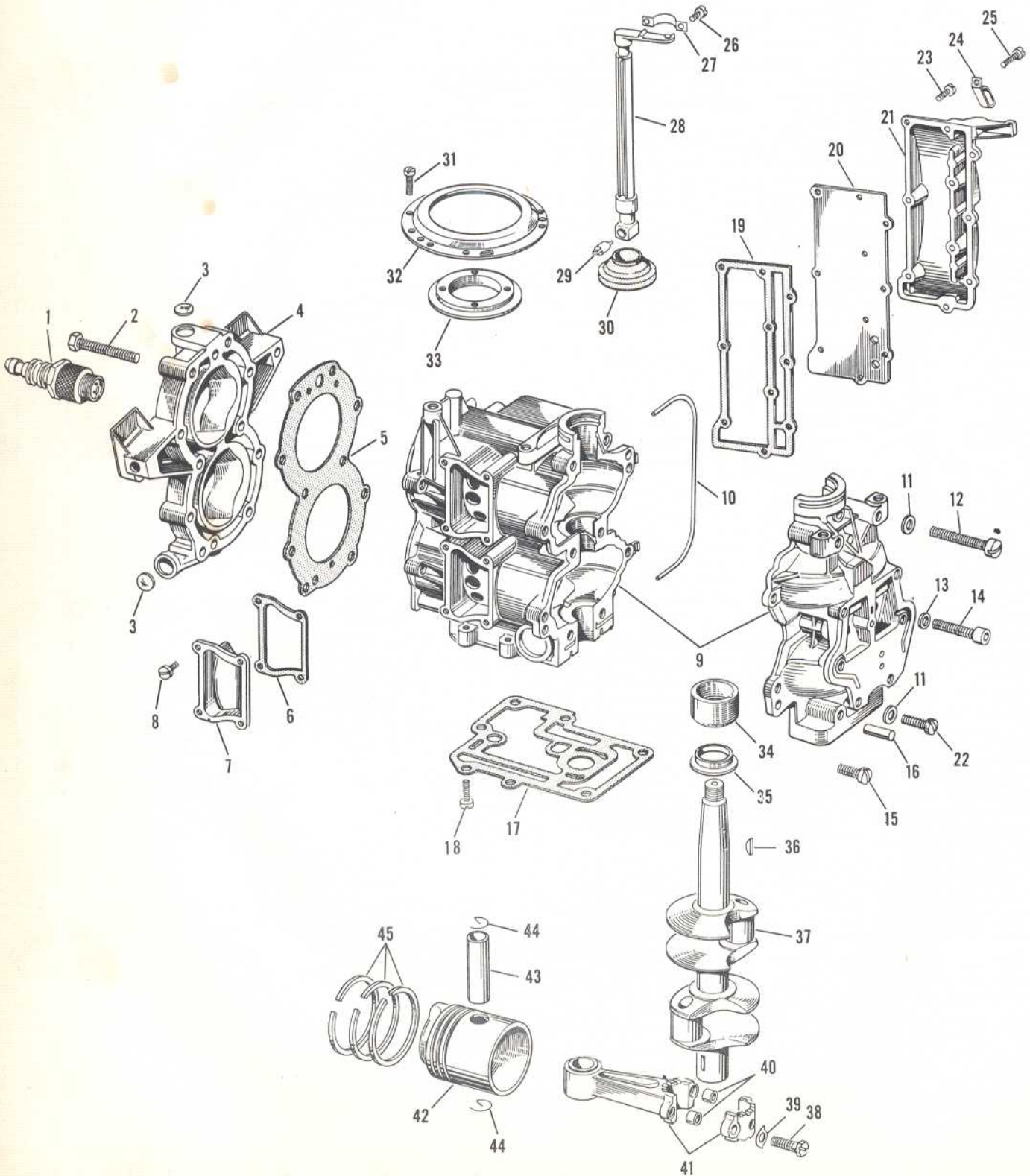
CARBURETOR GROUP

BE SURE TO SPECIFY MODEL AND SERIAL NUMBER
OF MOTOR WHEN ORDERING PARTS

PHOTO NO.	PART NO.	NAME OF PART	QTY. PER MOTOR
1	303761	Screw	4
2	202668	Leaf Stop	2
3	202667	Leaf	2
4	203378	Gasket	1
5	203377	Leaf Plate	1
	(277275	Leaf Plate Assembly)	1
6	302042	Check Valve	1
7	302046	Spacer	2
8	302048	Spring	1
9	19-191	Screw	2
10	203379	Gasket	1
11	71-1052	Clip	2
12	203381	Cam Follower	1
13	203384	Pin	1
14	203382	Spring	1
15	376784	Intake Manifold & Stud Assembly	1
16	303922	Bumper	2
17	203286	Hose - Airline	1
18	302647	Clamp	2
19	301822	Clamp	2
20	85-101	Stud	2
21	303437	Gasket	1
22	133451	Screw	6
23	302997	Choke Rod	1
24	375922	Throttle Shaft & Lever	1
25	302996	Spring	1
26	21-163	Cotter Pin	1
27	302430	Screw	1
28	302977	Spring	1
29	27-309	Expansion Plug	1
30	303477	Throttle Valve	1
31	41-110	Pin	2
32	203383	Link	1
33	376725	Throttle Arm & Screw	1
34	304572	Screw	1
35	303049	Cotter Pin	1
36	303048	Washer	1
37	19-136	Nut	2
38	376248	Carburetor Body, Plug & Throttle Valve	1
	(376685	Carburetor Complete)	1

PHOTO NO.	PART NO.	NAME OF PART	QTY. PER MOTOR
39	375921	Choke Shaft & Lever	1
40	303760	Screw	2
41	303709	Choke Valve	1
42	302984	Gasket	1
43	303478	Nozzle	1
44	301996	Washer	1
45	375985	Float Valve & Seat	1
46	375919	Float & Float Arm	1
47	300096	Hinge Pin	1
48	302994	Gasket	1
49	376681	Float Chamber & Nipple	1
50	304518	Stud	1
51	303133	Filter	1
52	304539	Nut	1
53	303122	Gasket	1
54	303121	Filter Bowl	1
55	376231	Filter Yoke Assembly	1
56	303041	Screw - Drain	1
57	71-1589	Screw	5
58	43-123	Packing	4
59	303476	Needle Valve - High Speed	1
60	300179	Nut - High Speed	1
61	303518	Spring	1
62	202065	Washer	1
63	303535	Grommet	1
64	551517	Screw	2
65	303532	Sleeve	1
66	303548	Spring	1
67	303479	Nut	1
68	203355	Washer	1
69	303448	Needle Valve - Slow Speed	1
70	303171	Hose - Fuel Line	1
71	302124	Screw	2
72	200931	Screw	2
73	203652	Button Plug	1
74	203387	Cover Plate	1
75	277286	Air Silencer Assembly	1
76	21-200	Washer	2
77	25-74	Screw	2

POWER HEAD GROUP



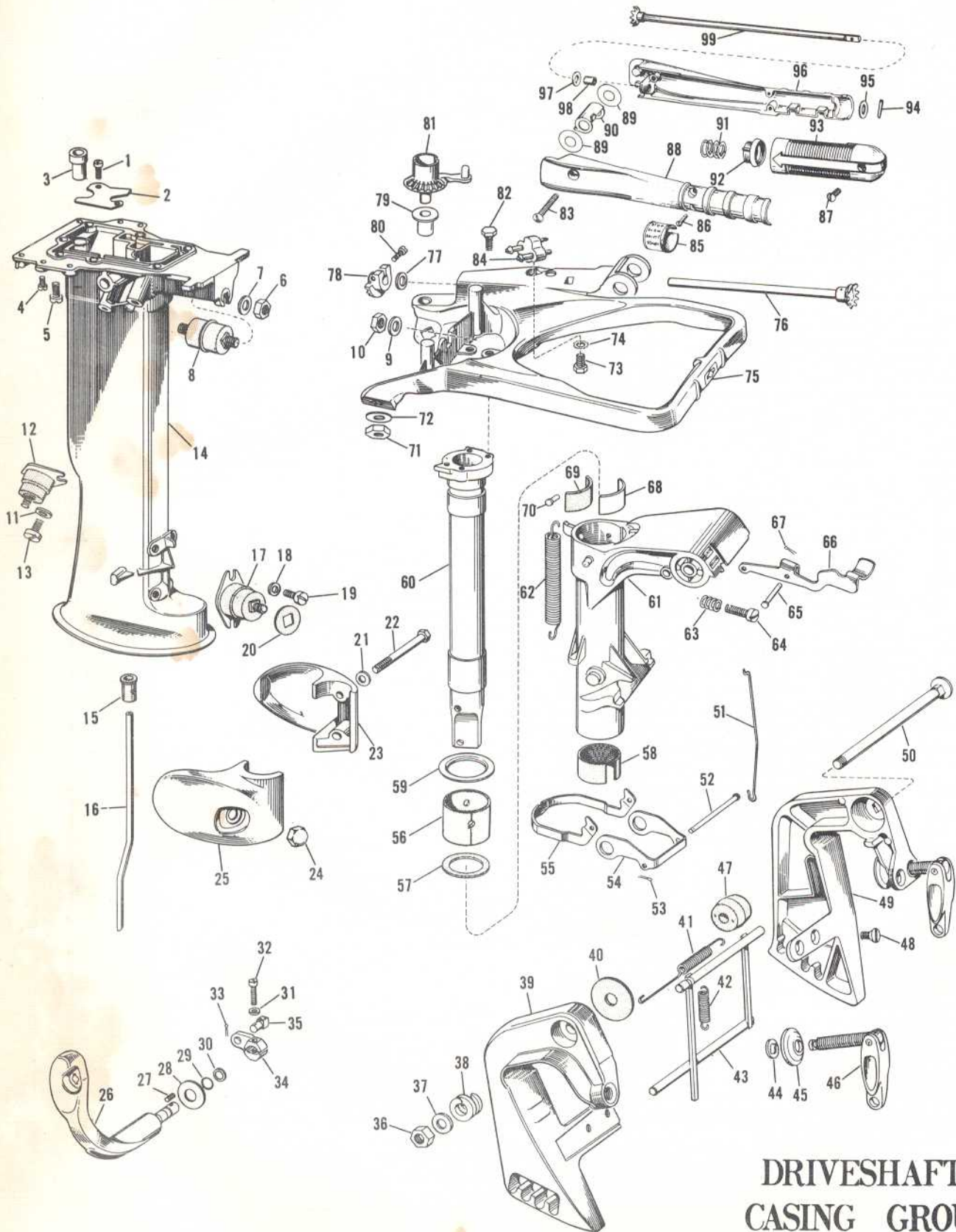
BE SURE TO SPECIFY MODEL AND SERIAL NUMBER
OF MOTOR WHEN ORDERING PARTS

PHOTO NO.	PART NO.	NAME OF PART	QTY. PER MOTOR
1	*200322	Spark Plug Champion J6J	2
1	*376290	Spark Plug Auto-Lite A3X	2
2	202727	Screw	10
3	27-309	Core Plug	3
4	376508	Cylinder Head	1
5	203034	Gasket	1
6	202528	Gasket	2
7	202527	Cover	2
8	202724	Screw	8
9	277446	Cylinder & Crankcase Assembly	1
10	203433	Tube - Oil Line	1
11	300399	Washer	4
12	302431	Screw	2
13	552499	Washer	2
14	203681	Screw	2
15	71-1084	Screw	2
16	300402	Taper Pin	2
17	304314	Gasket	1
18	21-167	Screw	7
19	202580	Gasket	1
20	203020	Baffle Plate	1
21	203374	Exhaust Cover	1
22	21-167	Screw	4
23	202916	Screw	9
24	302749	Clamp	1
25	202730	Screw - Long	1
26	510193	Screw	2
27	303109	Bearing Clamp	2
28	203710	Lever	1
29	304155	Pin	1
30	304296	Grommet	1
31	304442	Screw	4
32	303278	Support	1
33	303277	Retaining Ring	1
34	510168	Cam	1
35	41-362	Oil Slinger	1
36	120395	Flywheel Key	1
37	203375	Crankshaft	1
38	43-44	Screw	4
39	41-17	Lockplate	4
40	203319	Dowel	4
41	277195	Connecting Rod	2
42	276790	Piston & Dowel Pin	2
	(276789	Piston & Connecting Rod Assembly)	2
43	202522	Piston Pin	2
44	120325	Spring Ring	4
45	202524	Piston Ring	6

*We recommend either Champion or Auto-Lite Spark Plugs.

NOTE
Power Head Gasket Set (less Cyl. Head Gasket)
Part No. 376705

ORDER ALL PARTS FROM YOUR JOHNSON SEA-HORSE DEALER



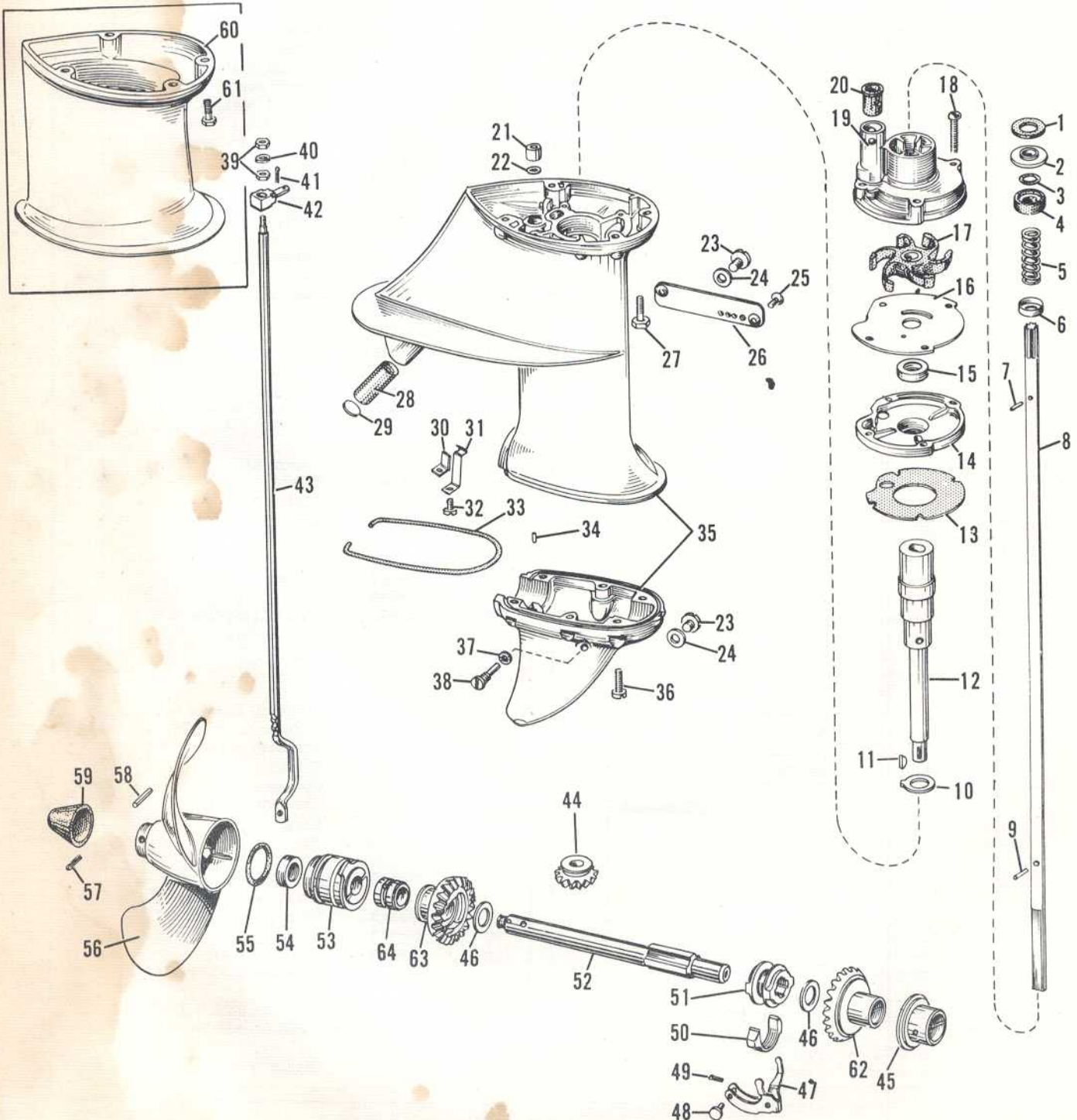
DRIVESHAFT
CASING GROUP

BE SURE TO SPECIFY MODEL AND SERIAL NUMBER
OF MOTOR WHEN ORDERING PARTS

PHOTO NO.	PART NO.	NAME OF PART	QTY. PER MOTOR	PHOTO NO.	PART NO.	NAME OF PART	QTY. PER MOTOR
1	43-147	Screw	2	53	15-268	Cotter Pin	2
2	304304	Cover Plate	1	54	303950	Link	1
3	304462	Restrictor	1	55	303948	Locking Lever	1
4	304013	Screw	6	56	303370	Liner - Upper	1
5	21-167	Screw	7	57	304289	Thrust Washer	1
6	303889	Nut	4	58	303371	Shock Absorber	1
7	303884	Washer	2	59	304290	Thrust Washer	1
8	303880	Rubber Mount - Upper - Front	1	60	304293	Pilot Shaft	1
9	303884	Washer	2	61	304291	Swivel Bracket	1
10	303889	Nut	4	62	304282	Spring	1
11	303887	Washer	8	63	551113	Spring	1
12	303879	Rubber Mount - Upper & Lower Side	4	64	132679	Screw	1
13	302416	Screw	4	65	303930	Pivot Shaft	1
14	376779	Exhaust Housing & Cover Assembly	1	66	304279	Arm	1
15	302497	Grommet	2	67	303049	Cotter Pin	2
16	304317	Water Tube	1	68	303363	Plate	1
17	303879	Rubber Mount - Upper & Lower Side	4	69	303697	Spacer	1
18	303887	Washer	8	70	303696	Pin	1
19	39-176	Screw	4	71	303889	Nut	4
20	304168	Gasket	2	72	304376	Washer	2
21	39-17	Washer	2	73	21-359	Screw	1
22	304299	Screw	2	74	51-137	Lockwasher	1
23	304286	Housing - Port	1	75	376495	Steering Bracket & Bushing Assembly	1
24	303890	Acorn Nut	2	76	376415	Gear & Shaft Assembly - Short	1
25	304285	Housing - Starboard	1	77	303107	Washer	1
26	376490	Shift Lever Assembly	1	78	303142	Pinion	1
27	303236	Spring	1	79	303140	Bushing	1
28	303775	Washer	1	80	71-1352	Screw	1
29	303191	O-Ring	1	81	304298	Gear	1
30	303864	Washer	1	82	304027	Screw	4
31	303715	Washer	1	83	303078	Screw	1
32	303714	Screw	1	84	375788	Fuel Connector Assembly	1
33	15-268	Cotter Pin	2	85	203260	Plate	1
34	304254	Lever	1	86	133452	Screw	2
35	303702	Connector	1	87	302710	Screw	1
36	17-182	Nut	1	88	303093	Steering Handle - Inner	1
37	25-196	Washer	1	89	303079	Washer	2
38	302051	Spring	1	90	303096	Cover	1
39	376493	Stern Bracket Assembly - Starboard	1	91	301656	Spring	1
40	304278	Washer	1	92	303282	Friction Block	1
41	304283	Spring	1	93	303213	Grip	1
42	202021	Spring	1	94	300346	Pin	1
43	376505	Tilting Lever Assembly	1	95	303252	Washer	1
44	302420	Retainer	2	96	376042	Steering Handle & Bushing - Outer	1
45	41-48	Swivel Plate	2	97	302712	Washer	1
46	375744	Clamp Screw	2	98	302717	Bushing	1
47	301983	Conical Washer	1	99	376416	Gear & Shaft Assembly - Long	1
48	303396	Screw	2	MODEL ADL-10 PARTS THAT DIFFER FROM AD-10			
49	376494	Stern Bracket Assembly - Port	1	17	304318	Water Tube	1
50	304277	Tilt Bolt	1				
51	303978	Link	1				
52	303949	Rod	1				

See Page 17 for additional Model ADL-10 parts.

GEARCASE ASE ASSEMBLY GROUP



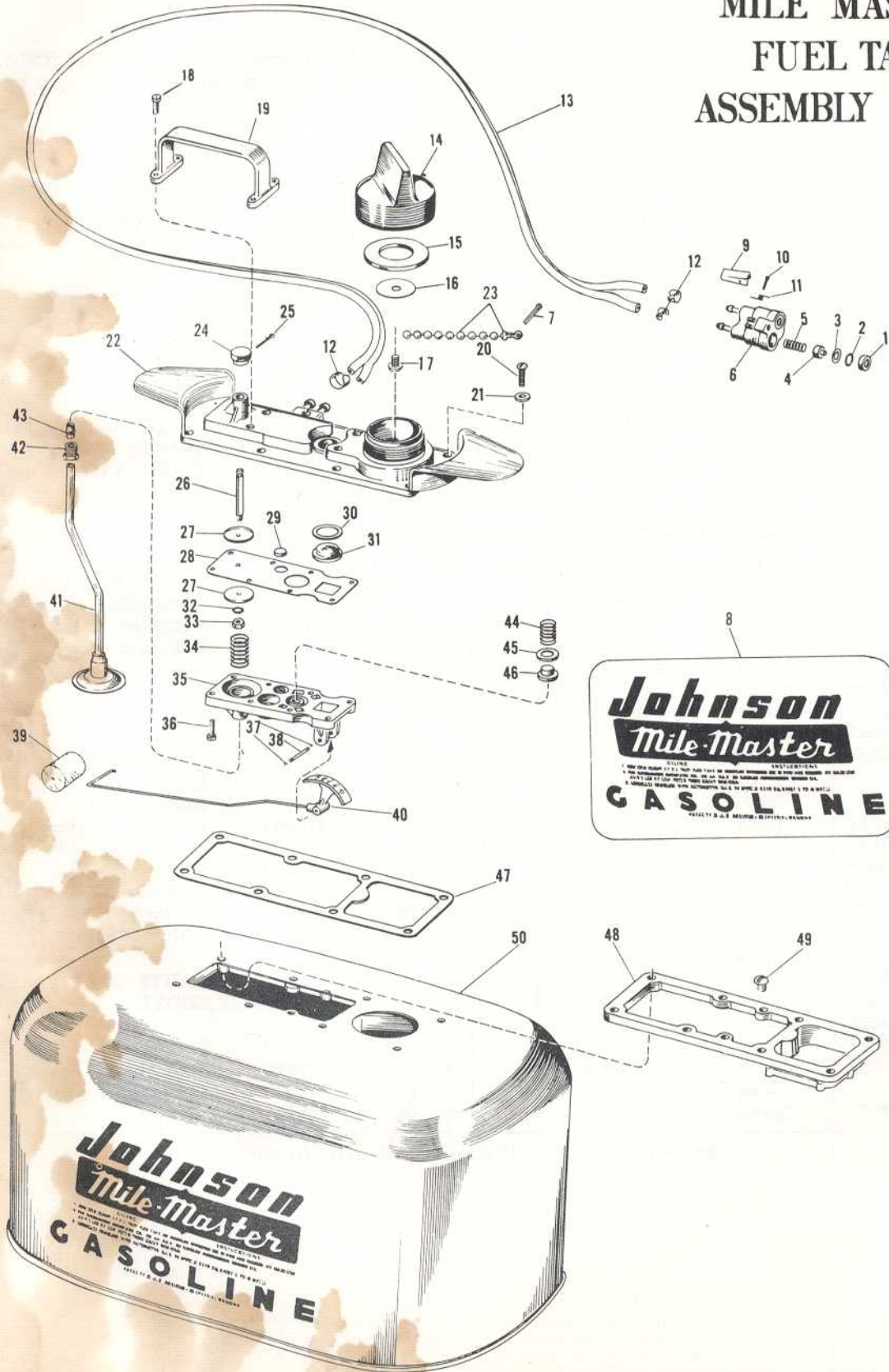
BE SURE TO SPECIFY MODEL AND SERIAL NUMBER OF MOTOR WHEN ORDERING PARTS

PHOTO NO.	PART NO.	NAME OF PART	QTY. PER MOTOR
1	303355	Gasket	1
2	303356	Plate	1
3	303347	O-Ring	1
4	303391	Seal	1
5	303357	Spring	1
6	303327	Washer	1
7	303261	Pin	1
8	376787	Driveshaft & Pin	1
9	300771	Pin	1
10	304170	Thrust Washer	1
11	1-135	Key	1
12	376073	Pinion Shaft & Shock Absorber Assembly	1
13	303339	Gasket	1
14	376074	Bearing Housing & Bearing Assembly	1
15	300599	Seal	1
16	303376	Plate	1
17	277181	Impeller Assembly	1
18	303395	Screw	4
19	303442	Impeller Housing	1
20	302497	Grommet	2
21	303332	Bushing	1
22	301877	O-Ring	1
23	27-283	Plug	2
24	27-284	Gasket	2
25	302681	Screw	2
26	304579	Cover	1
27	302325	Screw	4
28	303331	Screen	2
29	300314	Plug	2
30	303700	Spring	1
31	303466	Spring	1
32	43-156	Screw	1
33	303328	Seal	1
34	300611	Dowel Pin	1
35	376606	Gearcase, Bushing & Pin Assembly	1
36	304071	Screw	6

PHOTO NO.	PART NO.	NAME OF PART	QTY. PER MOTOR
37	304083	Washer	1
38	303358	Pivot Pin	1
39	85-64	Nut	2
40	303701	Lockwasher	1
41	15-268	Cotter Pin	2
42	303702	Connector	1
43	303401	Shift Rod - Lower	1
44	304009	Pinion Gear	1
45	303380	Bearing	1
46	303361	Thrust Washer	2
47	303340	Lever	1
48	302504	Pin	1
49	15-268	Cotter Pin	2
50	303381	Cradle	1
51	376078	Shift Clutch Dog Assembly	1
52	303443	Propeller Shaft	1
53	376069	Gearcase Head & Bearing Assembly	1
54	303345	Seal	1
55	303360	O-Ring	1
56	277276	Propeller	1
57	13-332	Cotter Pin	1
58	302333	Drive Pin	1
59	303365	Rubber Cap	1
62	376345	Gear & Bushing Assembly - Front	1
63	304010	Gear - Rear Reversing	1
64	303998	Bushing - Rear Reversing	1
MODEL ADL-10 PARTS THAT DIFFER FROM MODEL AD-10			
8	376788	Driveshaft & Pin	1
43	303666	Shift Rod - Lower	1
60	303672	Gearcase Extension	1
61	302325	Screw	4

See Page 15 for additional Model ADL-10 parts.

MILE MASTER
FUEL TANK
ASSEMBLY GROUP



BE SURE TO SPECIFY MODEL AND SERIAL NUMBER
OF MOTOR WHEN ORDERING PARTS

AD-ADL-10

PHOTO NO.	PART NO.	NAME OF PART	QTY. PER MOTOR
1	301828	Retainer	2
2	301824	O-Ring	2
3	301827	Washer	2
4	301826	Valve	2
5	301825	Spring	2
6	375587	Fuel Connector Assembly	1
7	15-213	Cotter Pin	1
8	304497	Transfer - Oiling	1
9	301830	Lock	1
10	301832	Rivet	1
11	301829	Spring	1
12	301822	Clamp	4
13	303414	Hose	1
14	375817	Filler Cap Assembly	1
15	301835	Gasket	1
16	302560	Plate	1
17	301837	Screw	1
18	13-558	Screw	12
19	302570	Handle	1
20	304137	Screw	8
21	301814	Gasket	8
22	376276	Housing	1
23	301838	Chain	1
24	301815	Push Button	1
25	17-186	Cotter Pin	1
26	302561	Push Rod	1
27	301800	Support	2
28	302563	Diaphragm	1
29	301802	Disc Valve	1
30	302571	Seal	1
31	302568	Glass	1
32	301736	Lockwasher	1
33	21-195	Nut	1
34	301803	Spring	1
35	302555	Housing	1
36	13-558	Screw	12
37	302654	Snap Ring	2
38	302653	Pin	1
39	302559	Float	1
40	376192	Indicator Assembly	1
41	376587	Foot Valve, Gland & Nut Assembly	1
42	132691	Nut	1
43	13-304	Gland	1
44	302135	Spring	1
45	302137	Washer	1
46	302136	Valve	1
47	302557	Gasket	1
48	302556	Support	1
49	53-85	Screw	2
50	376586	Fuel Tank Only	1
	(376590 Fuel Tank Assembly Complete)		1

NOTE
Mile Master Fuel Tank Gasket Set
Part No. 376455

ORDER ALL PARTS FROM YOUR JOHNSON SEA-HORSE DEALER



JOHNSON MOTORS PETERBOROUGH, CANADA