

PARTS LIST FOR ELGIN OUTBOARD MOTOR

MODEL NUMBER 571.58931

Always mention both the Model Number and Serial Number of your outboard motor when ordering parts or requesting operating instructions. These numbers are shown on the identification plate located on the steering handle.

HOW TO ORDER REPAIR PARTS

All parts listed herein may be ordered through SEARS, ROEBUCK AND CO. or SIMPSONS-SEARS LIMITED. When ordering parts by mail from the mail order house which serves the territory in which you live, selling prices will be furnished on request or parts will be shipped at prevailing prices and you will be billed accordingly.

WHEN ORDERING REPAIR PARTS, ALWAYS GIVE THE FOLLOWING INFORMATION SHOWN IN THIS LIST:

1. The PART NUMBER
2. The PART NAME
3. The MODEL NUMBER 571.58931
4. The NAME of item - OUTBOARD MOTOR

COAST TO COAST NATION-WIDE SERVICE FROM SEARS FOR YOUR ELGIN OUTBOARD MOTOR



SEARS, ROEBUCK AND CO. and SIMPSONS - SEARS LIMITED in Canada back up your investment with quick, expert mechanical service and genuine ELGIN replacement parts.

If and when you need repairs or service, call on us to protect your investment in this fine piece of equipment.

**SEARS, ROEBUCK AND CO. - U.S.A.
IN CANADA, SIMPSONS-SEARS LIMITED**

SM 327

12/57/4M

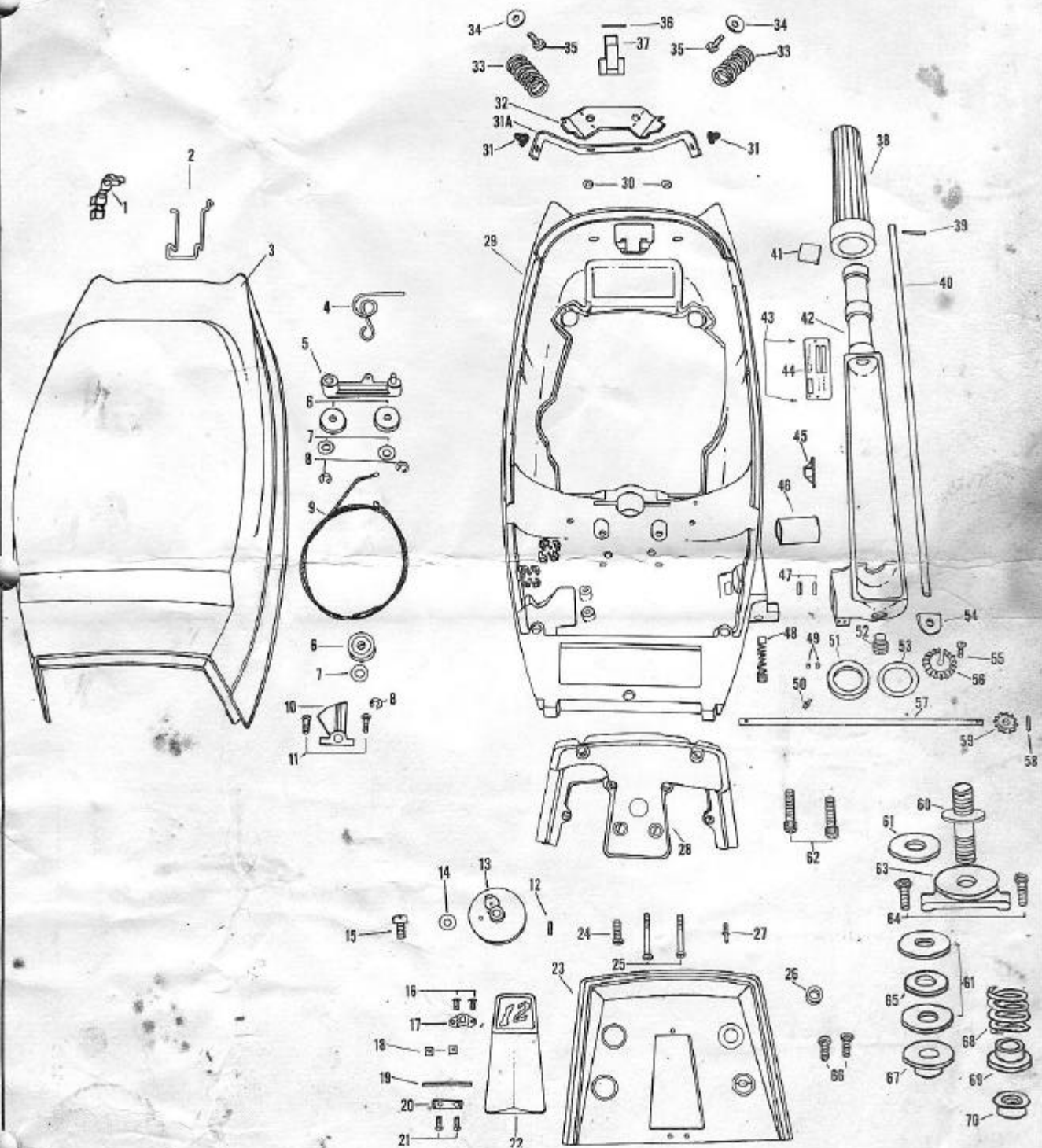
PRINTED IN U.S.A.

Engine Cover and Control Panel

Illus- tration No.	Part No.	Description	Quantity Required	Illus- tration No.	Part No.	Description	Quantity Required
1	HS98574	Cover latch bail retainer	1	41	50795	Steering handle grip dampener	1
2	901778-2	Cover latch bail	1	42	A901079-1	Steering handle assembly, in- cludes: Pivot tube, thrust bearing, pins	1
★3	A72712	Cover assembly, includes: Cover, bail, retainer, bracket, name decals	1	43	2 x 3/16	Metallic drive screw, type U	2
4	901447	Magneto cable spring	1	44	A58395-1	Identification plate w/fasteners	1
5	A901442-1	Magneto cable pulley bracket assembly, includes: Magneto cable pulley pin	1	45	901818-1	Steering handle pinion thrust bearing	1
6	24437-1	Magneto cable pulley upper	3	46	901692	Steering handle pivot tube	1
7	9/32 I.D. x 5/8 O.D. x 1/32	Plain washer	3	47	7/32 x 5/8	Groov pin type 3	2
8	881807	Retainer	3	48	A901839	Steering handle screw assembly, includes: Spring, button	1
9	A901444	Magneto cable assembly, in- cludes: Cable, ball ends	1	49	10-24 x 3/16	Hex socket headless set screw, cup point	2
10	901813-1	Magneto shaft bearing	1	50	1952	Grease fitting	1
11	10-24 x 9/16	Fillister head machine screw	2	51	901697	Steering handle pivot tube collar	1
12	3/32 x 1/2	Roll pin	1	52	40689-1	Steering handle shaft bearing	1
13	901823	Magneto cable pulley lower	1	53	901175	Steering handle pivot tube washer	1
14	13/64 I.D. x 15/32 O.D. x 5/64	Plain washer	1	54	40816-1	Steering handle shaft thrust bearing	1
15	8-32 x 1/2	Pan head machine screw w/internal tooth lockwasher	1	55	10-24 x 3/4	Fillister head machine screw	1
16	5-40 x 5/8	Round head thread cutting screw	2	56	40815-1	Steering handle bevel gear	1
17	C-1663-017-373	Carburetor door catch	1	57	901838	Magneto cable pulley shaft	1
18	8-32	Square nut	2	58	3/32 x 1/2	Roll pin	1
19	901829	Carburetor door hinge pin	1	59	901891	Steering handle pinion gear	1
20	901828	Carburetor door hinge	1	60	A901850-1	Shock mount upper stud w/washer	1
21	8-32 x 1/2	Fillister head machine screw w/internal tooth lockwasher	2	61	901847	Shock mount upper friction washer	3
22	A901708	Carburetor door assembly, in- cludes: Spring catch, screws	1	62	5/16-18 x 1 1/4	Hex head machine screw	2
23	A72181	Control panel assembly, in- cludes: Panel, grommet, door catch stud, hinge, screws, pin	1	63	901354-1	Shock mount upper support bracket	1
24	10-24 x 1/2	Hex head machine screw	1	64	1/4-20 x 1	Hex head machine screw w/spring lockwasher	2
25	10-32 x 1 1/2	Flat head machine screw	2	65	901849	Shock mount upper washer	1
26	901504-1	Choke knob grommet	1	66	1/4-20 x 5/8	Hex slotted head machine screw w/spring lockwasher	2
27	901859	Carburetor door catch stud	1	67	A73848	Shock mount upper spring pilot assembly, includes: Bushing, pilot	1
28	A901826-2	Carburetor silencer assembly	1	68	901347-1	Shock mount upper spring front	1
29	A71038	Support plate assembly, in- cludes: Latch, roll pin	1	69	901851	Shock mount upper spring retainer	1
30	75991	Shear pin grommet	2	70	5/8-16	Elastic stop nut	1
31	73942	Bumper	2	52942	Bumper (not shown)	10	
31A	A901941	Bumper bracket assembly, in- cludes: Bumpers	1	#10	Extra heavy spring lockwasher (not shown)	1	
32	901835	Shock mount bracket, rear	1	10-24 x 3/4	Flat head machine screw (not shown)	1	
33	901837	Shock mount spring, rear	2	#10	Countersunk external tooth lockwasher (not shown)	1	
34	5/8 x 3/16 x 14 Ga.	Plain washer	2	10-24	Hex nut (not shown)	1	
35	10-24 x 1/2	Fillister head machine screw w/spring lockwasher	2	52392	Name decal left (not shown)	1	
36	3/32 x 1	Roll pin S.S.	1	52396	Name decal right (not shown)	1	
37	901777	Cover latch	1	901853	Carburetor drain decal (not shown)	1	
38	A40137	Steering handle grip assembly, includes: Collar	1	29373-2	Patent decal (not shown)	1	
39	1/8 x 1	Roll pin	1				
40	901688-2	Steering handle shaft	1				

★For replacement, give part number and specify color.

Always give Model and Serial Number of Engine when Ordering Parts



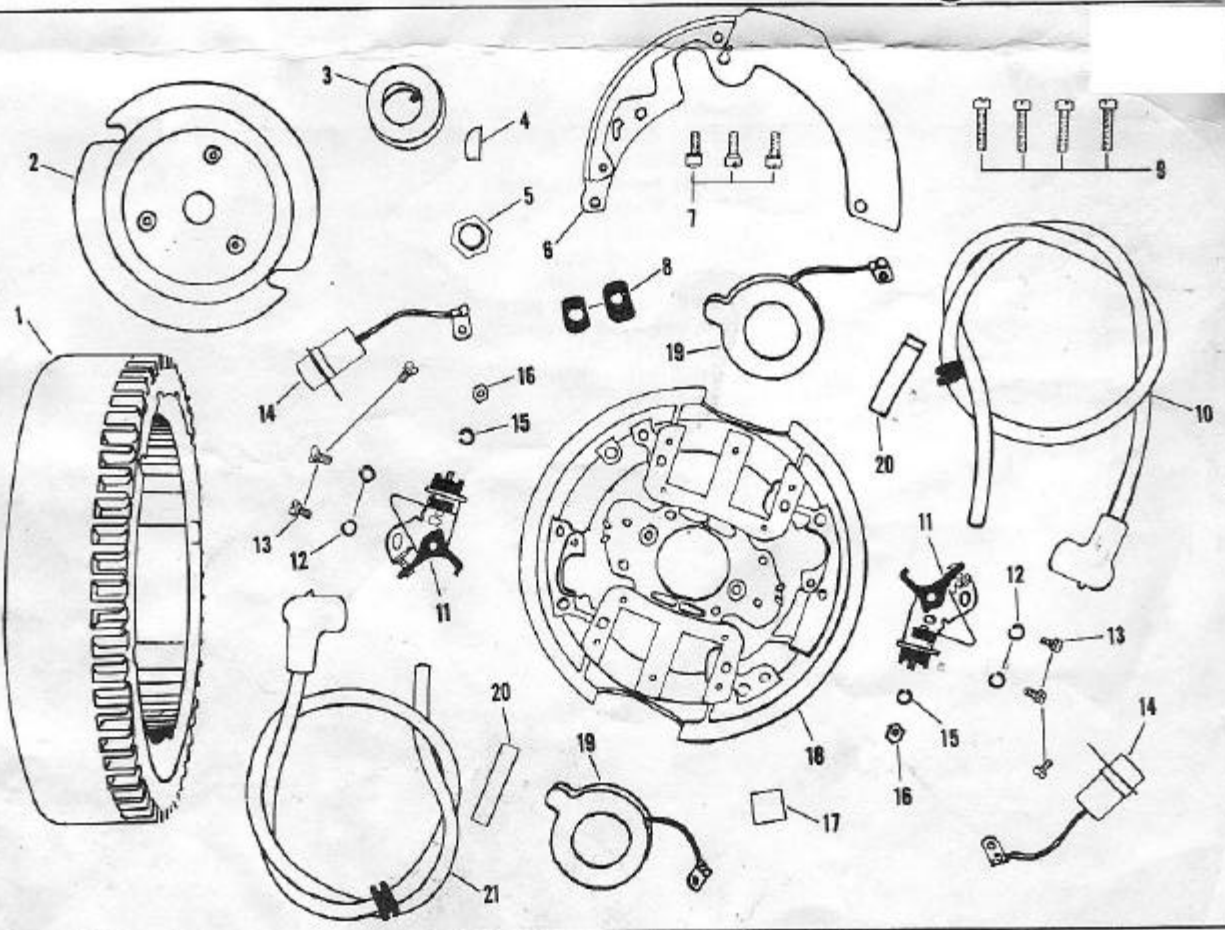
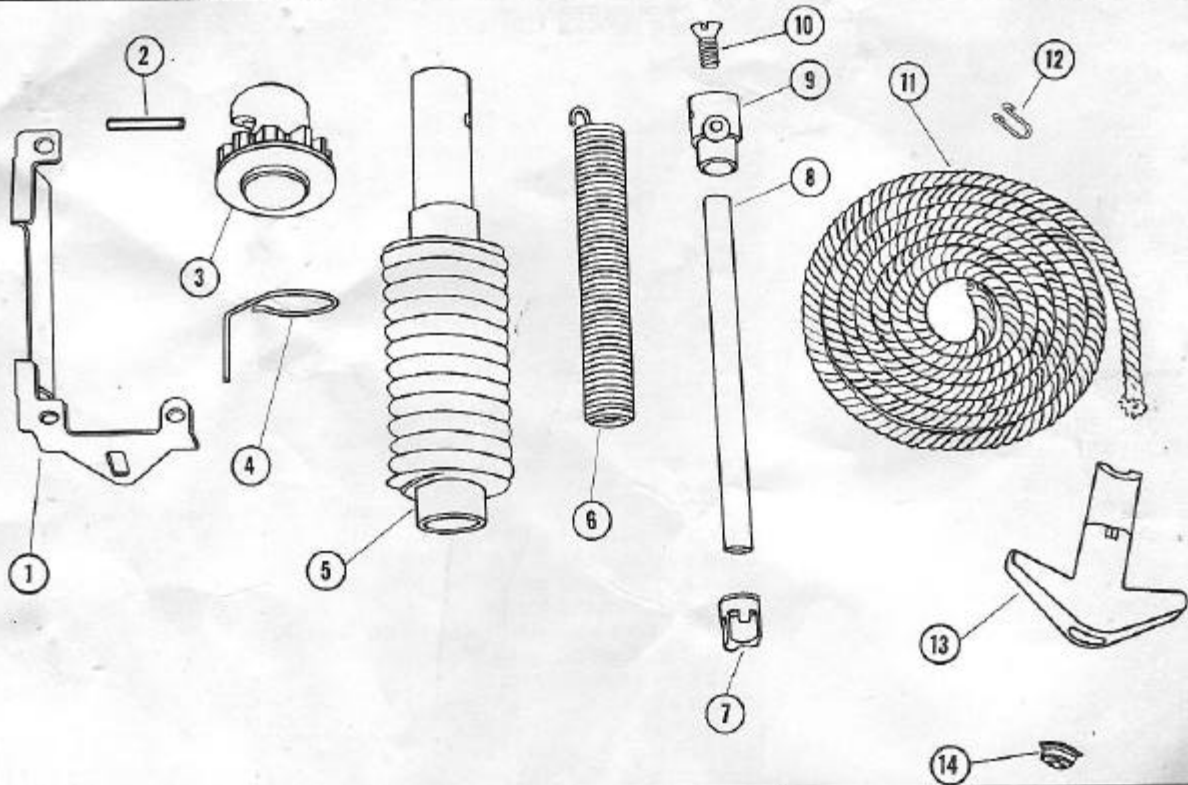
Starter

Illus- tration	Part No.	Description	Quantity Required
1	901455-2	Starter rope guide	1
2	901425	Starter pinion pin	1
3	901674-2	Starter pinion gear	1
4	901424	Starter pinion spring	1
5	901239-1	Starter spool	1
6	901970	Starter rewind spring	1
7	901737	Starter rewind spring retainer	1
8	901710	Starter rewind spring guide post	1
9	901739	Starter rewind spring drive	1
10	1/4-20 x 1/2"	Flat head machine screw	1
11	A901232	Starter rope assembly, includes: Rope end	1
12	901333-1	Starter rope end	1
13	901132-1	Starter rope handle	1
14	901332	Plug button	1

Magneto

Illus- tration	Part No.	Description	Quantity Required
1	Y11464	Flywheel and starter gear	1
2	901456	Starter collar	1
3	11411C	Breaker cam	1
4	No. 7	Woodruff key	1
5	1/2-20	Flywheel nut	1
6	A901192-2	Throttle cam plate	1
7	10-24 x 1/2	Hex head machine screw	3
8	5486	Lead wire grommet	4
9	10-24 x 9/16	Fillister head machine screw w/spring lockwasher	4
10	X11542	Lead wire group	1
11	X11462	Breaker contact set	2
12	2965	Washer	4
13	11439	Breaker contact and condenser clamp screw	6
14	X11397	Condenser	2
15	M-90X	Lockwasher	2
16	11015	Connection stud nut	2
17	11559	Cam wiper felt	1
18	X11403	Stator plate assembly, complete, includes: Coils, condensers, screws	1
19	X11406	Coil	2
20	11409	Coil wedge spring	2
21	X11575	Lead wire group	1
	5925	Top lead wire marker (Not shown)	1
	FW2510B	Magneto complete (Not shown)	1

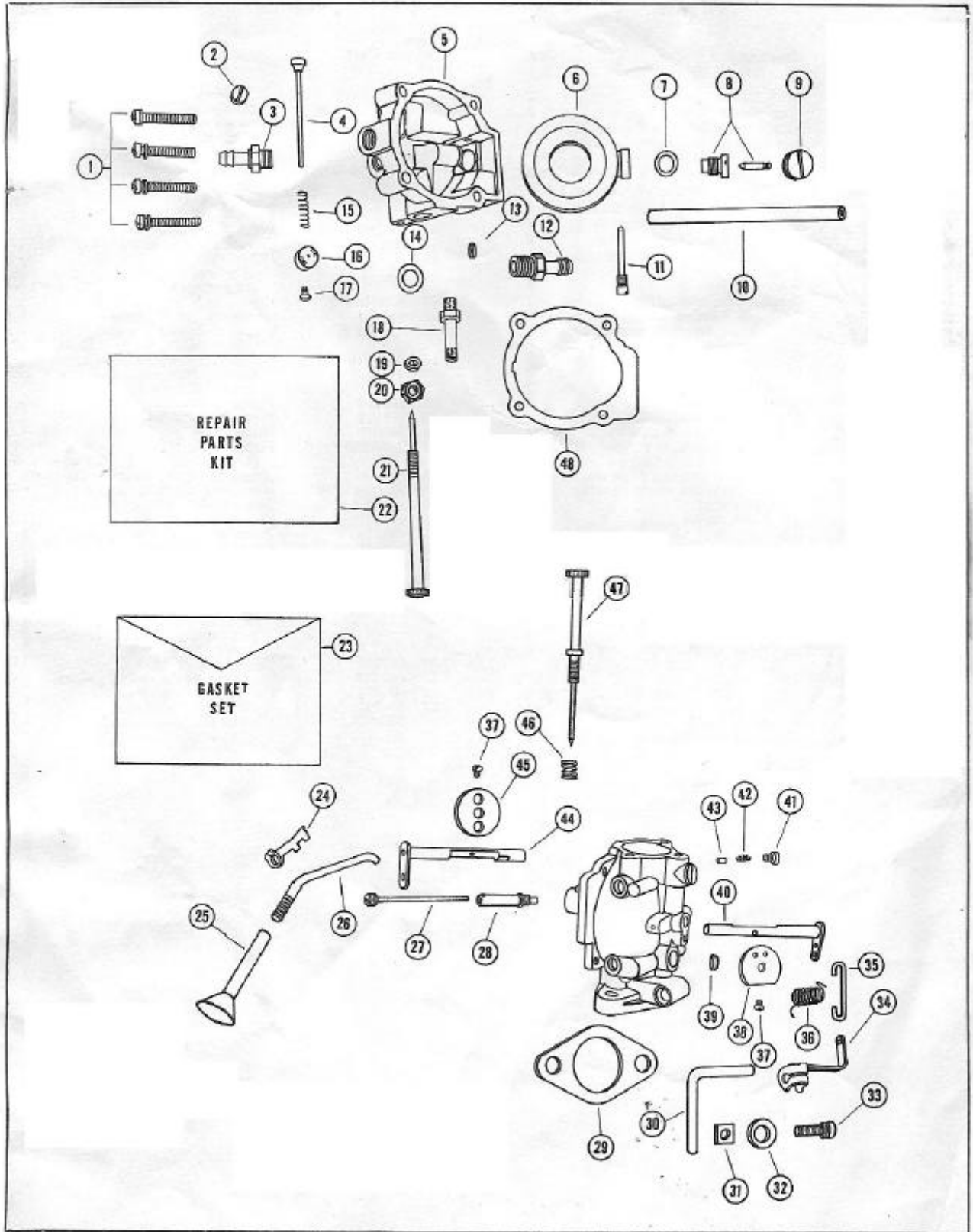
Always give Model and Serial Number of Engine when Ordering Parts



Carburetor

Illus- tration	Part No.	Description	Quantity Required
1	06062	Body retaining screw and lock washer	4
2	01102	Drain valve channel plug screw	1
3	901858	Carburetor drain fitting	1
4	010386	Drain valve	1
5	010621	Fuel bowl	1
6	07804	Float	1
7	02510	Inlet seat gasket	1
8	*010461	Inlet needle, seat and gasket assembly	1
9	07896	Fuel bowl plug	1
10	901865-1	Carburetor drain line	1
11	*07901	Float lever pinion screw	1
12	27768-1	Fuel line connector	1
13	04326	Fuel bowl channel welch plug	1
14	0676	Main adjustment screw gland gasket	1
15	*08966	Drain valve retaining spring	1
16	09607	Drain valve button	1
17	*09608	Drain valve button retaining screw	1
18	010709	Main adjustment screw gland	1
19	09112	Main adjustment screw packing	1
20	0703	Main adjustment screw packing nut	1
21	*010374	Main adjustment screw	1
22	RK163	Repair parts kit—Includes items marked*	1
23	*GS110	Gasket and packing set	1
24	HS99339	Choke rod retainer	1
25	901547-2	Choke knob	1
26	901503	Choke rod	1
27	*010456	Idle tube	1
28	*010454	Main nozzle	1
29	18906	Carburetor gasket	1
30	901316-1	Throttle cam follower	1
31	10-24	Square nut	1
32	13/64 IDx15/32 ODx3/64"	Plain washer	1
33	10-24 x 3/8"	Hexagon head machine screw	1
34	901190-1	Throttle cam follower arm	1
35	901193	Throttle link	1
36	*08647	Throttle return spring	1
37	05204	Throttle shutter and choke shutter screw	2
38	08502	Throttle shutter	1
39	*02531	Body channel welch plug	1
40	010378	Throttle shaft and lever	1
41	*07912	Choke friction pin screw	1
42	*03860	Choke friction pin spring	1
43	*05454	Choke friction pin	1
44	010376	Choke shaft and lever	1
45	03739	Choke shutter	1
46	*08736	Idle adjustment screw spring	1
47	*010372	Idle adjustment screw	1
48	07903	Body gasket	1
	MD89C	Carburetor assembly (Not shown)	1
	74318	Throttle cam follower roller (Not shown)	1
	1/16 x 3/8	Roll pin (Not shown)	1

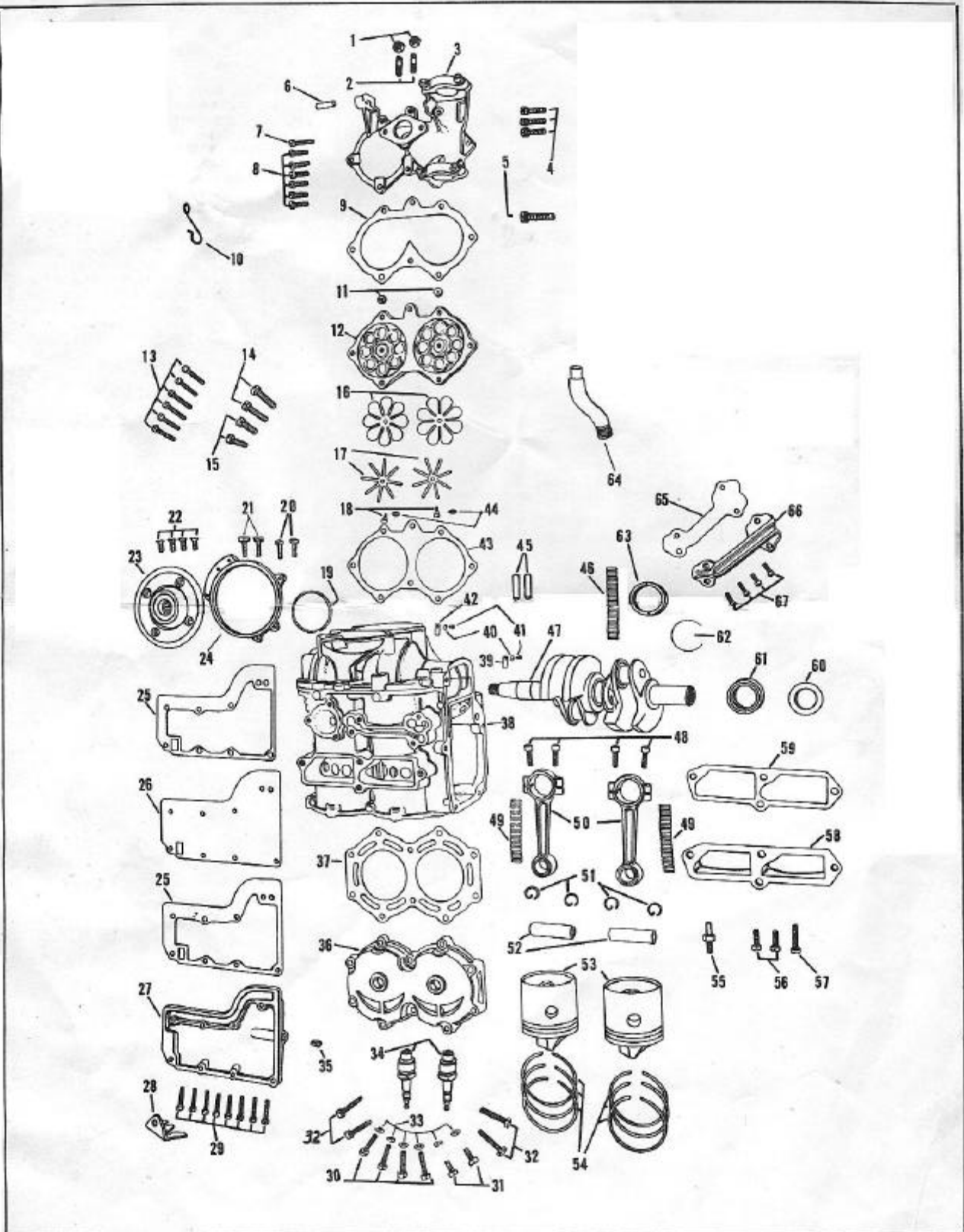
Always give Model and Serial Number of Engine when Ordering Parts



Power Head

Illus- tration No.	Part No.	Description	Qty.	Illus- tration No.	Part No.	Description	Qty.
1	¼-20	Hex nut	2	38	A901010-6	Cylinder assembly, includes: Crankcase cover, dowel pins, metering cups, reeds, screws, washers	1
2	19209-1	Carburetor stud	2				
3	AA901167-1	Carburetor adapter flange assem- bly, includes: Bearing caps, cable pin, screws	1	39	901957	Puddle drain reed	1
4	¼-20 x ¾"	Hex head machine screw	3	40	¼ ID x ¼ OD x .017	Plain washer	2
5	¼-20 x 2 ¾"	Fillister head machine screw	1	41	4-40 x 3/16"	Pan hd. mach. screw	2
6	901443-1	Magneto control cable pulley pin	1	42	18160-1	Reed	1
7	¼-20 x ¾"	Hex head machine screw	1	43	901159	Reed plate gasket	1
8	¼-20 x ¾"	Hex head machine screw	6	44	No. 10	Internal tooth lockwasher	2
9	901168	Carburetor adapter flange gasket	1	45	.250 x ¾	Dowel pin	2
10	901852-1	Fuel hose bracket	1	46	A3574CM	Center main bearing needles (34 per set)	Order 1 set
11	10-24	Hex nut	2	47	A901018-2	Crankshaft	1
12	A901158	Reed plate assembly, includes: Reeds, reed stops, screws, nuts	1	48	901634	Connecting rod screw	4
13	¼-20 x 1 ¼"	Hex. head machine screw	6	49	A3574CR	Connecting rod needles (30 per set)	Order 2 sets
14	5/16-18 x 1 ¾"	Fillister head machine screw	2	50	AA901016-2	Connecting rod assembly, in- cludes: Piston pin bearing, caps and screws	2
15	¼-20 x ¾"	Fillister head machine screw	2				
16	901160	Reed	2	51	901096	Piston pin lock ring	4
17	901161	Reed stop	2	52	901017	Piston pin	2
18	901197-1	Reed screw	2	53	901015	Piston	2
19	901278	Crankshaft bearing cage seal	1	54	A901260	Piston ring set (6 per set)	Order 1 set
20	5/16-18 x ¾"	Fillister head cap screw	2	55	901440-1	Magneto pulley bracket pivot pin	1
21	¼-20 x ¾"	Hex head machine screw	2	56	¼-20 x 9/16"	Hex head machine screw	2
22	¼-20 x 9/16"	Flat head machine screw	4	57	¼-20 x ¾	Hex head machine screw	1
23	A73144	Crankshaft bearing cage assem- bly, includes: Main bearing upper, seal	1	58	901222	Transfer port cover	1
24	73082	Magneto stator ring	1	59	901223	Transfer port cover gasket	1
25	901154	Exhaust port plate gasket	2	60	901146	Crankshaft seal	1
26	901151	Exhaust port plate	1	61	901014	Crankshaft lower main bearing assembly	1
27	A901152-1	Exhaust port cover with pipe plug	1	62	W9870	Snap ring	1
28	901834	Lead wire clip	1	63	A901655	Crankshaft center main bearing race assembly, includes: Bear- ing race, snap ring (Replace in set only)	1
29	¼-20 x ¾"	Hex. head machine screw	8	64	901247	Outlet water tube	1
30	901938	Cylinder head screw	4	65	901472	Cylinder drain cover gasket	1
31	901939	Cylinder head screw	2	66	901471	Cylinder drain cover	1
32	901936	Cylinder head screw	4	67	10-24 x ½	Hex. head machine screw	4
33	17/64 ID x 15/32 OD x 1/32	Plain washer	6		KG 901	Gasket set (Not shown)	1
34	H 8 J	Spark plug, Champion	2		KD 931	Decal set (Not shown)	1
35	½ NPT	Pipe plug	1				
36	901518-1	Cylinder head	1				
37	901529	Cylinder head gasket	1				

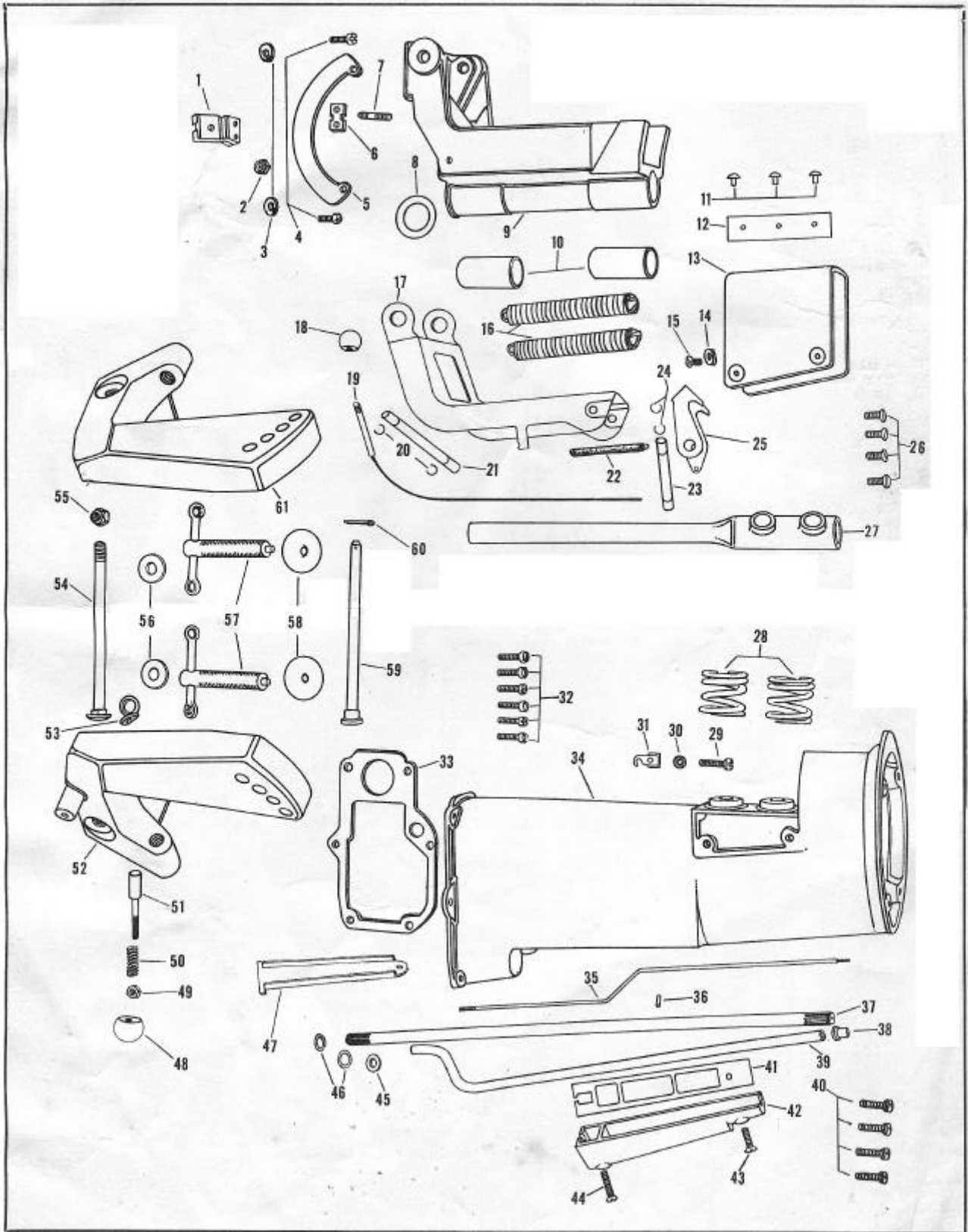
Always give Model and Serial Number of Engine when Ordering Parts



Motor Leg

Illustration No.	Part No.	Description	Quantity Required	Illustration No.	Part No.	Description	Quantity Required
1	A901742	Friction shoe adjusting arm w/shoe	1	32	1/4-20 x 3/8"	Hex. head machine screw w/lockwasher	6
2	3/4-20	Elastic stop nut	1	33	901279-1	Cylinder exhaust gasket	1
3	3/4	Lockwasher, spring	2	34	901133-3	Motor leg	1
4	1/4-20 x 3/4	Hex head slotted mach. screw	2	35	901705-1	Gear shift rod lower	1
5	901775	Friction shoe plate	1	36	901563	Water pump impeller drive pin	1
6	901631-1	Friction shoe	1	37	901128-1	Drive shaft	1
7	901822	Swivel bracket stud	1	38	A61914	Inlet water line seal lower w/ferrule	1
8	901011	Swivel bracket washer	3	39	901244	Inlet water line	1
9	A901072-2	Swivel bracket assembly, includes: Bearings	1	40	1/4-20 x 3/8"	Fillister head mach. screw S.S.	4
10	901169-1	Swivel bracket bearing	2	41	901833-1	Motor leg exhaust cover gasket	1
11	3/16 x 11/32 x 3/8"	Rivet	3	42	901832-1	Motor leg exhaust cover	1
12	A901937-1	Shock mount lower cover spacer w/rivets	1	43	1/4-20 x 1 1/4"	Flat head machine screw S.S.	1
13	A901707-1	Shock mount lower cover assembly, includes: Spacer, rivets, washers	1	44	1/4-20 x 1 1/8"	Flat head machine screw S.S.	1
14	17/64 ID x 3/8 OD x .065	Plain washer	1	45	13/32 ID x 11/16 OD x .060	Plain washer	1
15	10-24 x 3/8"	Fillister head machine screw w/spring lockwasher	1	46	24342	Seal	2
16	901465	Reverse tilt spring	2	47	901779	Motor leg baffle	1
17	901463	Reverse tilt bracket	1	48	24543	Tilt lock plunger knob	1
18	24547	Reverse control knob	1	49	1/4-20"	Hex nut	1
19	A24586	Reverse release wire assembly	1	50	24544	Tilt lock plunger spring	1
20	901741	Reverse lock pin retaining ring	2	51	901541-1	Tilt lock plunger	1
21	901467	Reverse tilt spring pin, upper	1	52	A901532-2	Stern bracket left assembly, includes: Clamp screw, foot	1
22	901588	Reverse release spring	1	53	901776	Safety chain ring	1
23	73466	Reverse tilt spring pin, lower	1	54	901037	Stern bracket pivot bolt	1
24	73741	Reverse lock pin retaining ring lower	2	55	7/16-20	Elastic stop nut	1
25	901464	Reverse tilt lock	1	56	901286	Swivel bracket friction washer	2
26	1/4-20 x 3/4"	Flat head machine screw S.S.	4	57	901073	Stern bracket clamp screw	2
27	A901019-1	King pin assembly	1	58	24074	Stern bracket clamp screw foot	2
28	901346	Shock mount lower	2	59	901113	Stern bracket lock bar	1
29	8-32 x 3/8"	Fillister head mach. screw S.S.	1	60	3/32 x 3/4"	Cotter pin	1
30	50618	Gear shift rod seal, upper	1	61	A901032-2	Stern bracket, right assembly, includes: Clamp screw, foot	1
31	50671	Gear shift rod seal retainer	1	51390		Instruction decal, left (Not shown)	1
				51400		Instruction decal, right (Not shown)	1
						Tilt lock spring (Not shown)	1

Always give Model and Serial Number of Engine when Ordering Parts



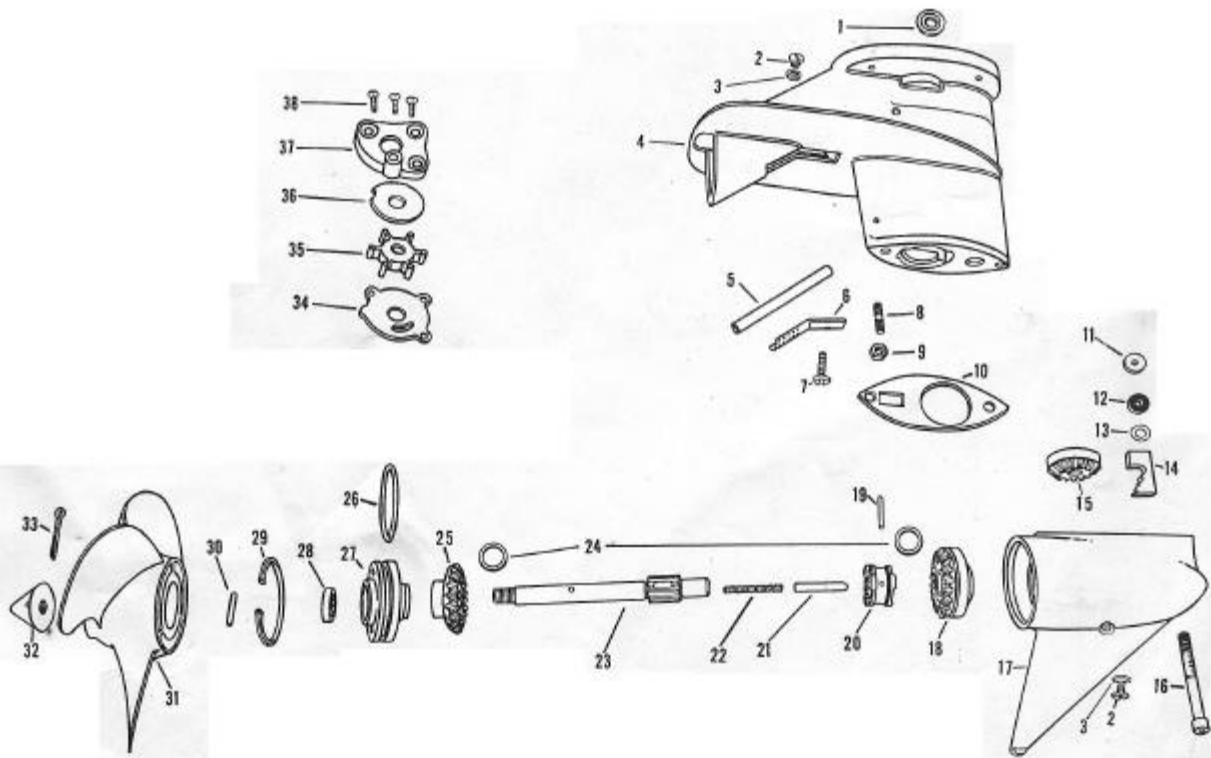
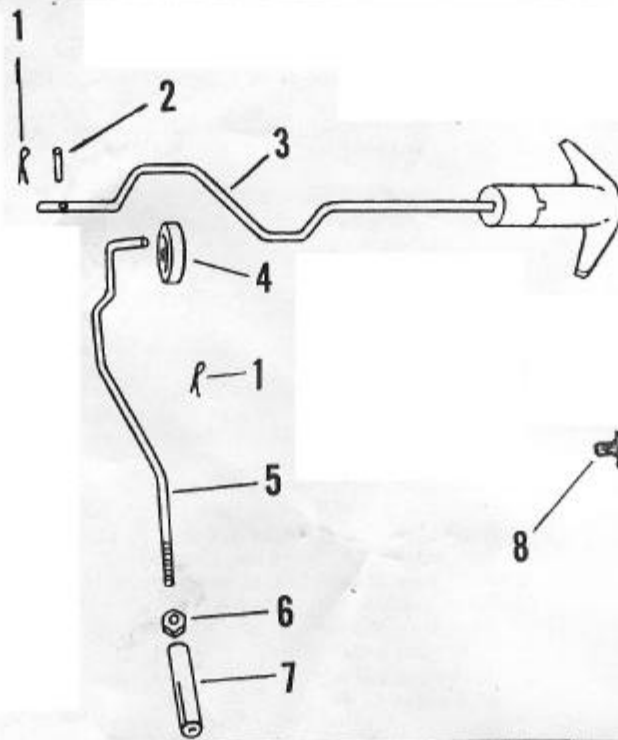
Gear Shift Control

Illus- tration No.	Part No.	Description	Quantity Required
1	1/16 x 1/2	Cotter pin	2
2	3/32 x 1/2	Roll pin	1
3	A901614-3	Gear shift knob w/rod	1
4	901621	Gear shift lever arm	1
5	901615-1	Gear shift rod upper	1
6	1/4-20	Hex nut	1
7	901704	Gear shift rod coupling	1
8	73332	Plug button	1

Gear Housing

Illus- tration No.	Part No.	Description	Quantity Required
1	901307	Drive shaft seal	1
2	50109	Gear housing plug	2
3	50556	Gear housing plug washer	2
4	A901554-2	Gear housing upper assembly, includes: Drive shaft seal, plug, inlet water tube, washer	1
5	901773	Inlet water tube	1
6	901706	Inlet water plate	1
7	10-24 x 3/4"	Fillister head machine screw	1
8	901008	Gear housing stud	1
9	5/16-18	Hex nut	1
10	901555	Gear housing gasket	1
11	50670	Gear shift rod seal spacer	1
12	901618-1	Gear shift rod seal	1
13	901671	Gear shift rod seal retainer	1
14	901721	Clutch shift cam	1
15	A901266	Bevel pinion assembly, includes: Thrust bearing	1
16	5/16-18 x 2-5/16"	Hex socket head cap screw S.S.	1
17	A901054-2	Gear housing lower, assembly, includes: Plug, washer Bevel gear front assembly, includes: Bevel gear bearing, Propeller shaft thrust bearing	1
18	AA901023	Groovy pin Type 2	1
19	3/16 x 1"	Clutch	1
20	901521	Clutch shift pin	1
21	901728	Clutch spring	1
22	901719	Propeller shaft	1
23	901098-1	Bevel gear thrust washer	2
24	901717	Bevel gear rear assembly, includes: Bevel gear bearing	1
25	A901023	Propeller shaft bearing cage seal	1
26	74305	Propeller shaft bearing cage assembly, includes: Bearing, seal	1
27	A901298-1	Propeller shaft seal	1
28	901118	Propeller shaft bearing cage retaining ring	1
29	50411	Shear pin	1
30	901101-1	Propeller assembly w/cushion hub	1
31	A901265-3	Propeller shaft nut	1
32	901094-1	Cotter pin	1
33	7/64 x 1 1/4	Water pump back plate	1
34	901562-1	Water pump impeller	1
35	901065	Water pump top plate	1
36	901537-1	Water pump body assembly includes: Seal, ferrule	1
37	A901060-3	Flat head machine screw S.S.	3
38	1/4-20 x 1" 52788	Water pump ferrule (Not shown)	1

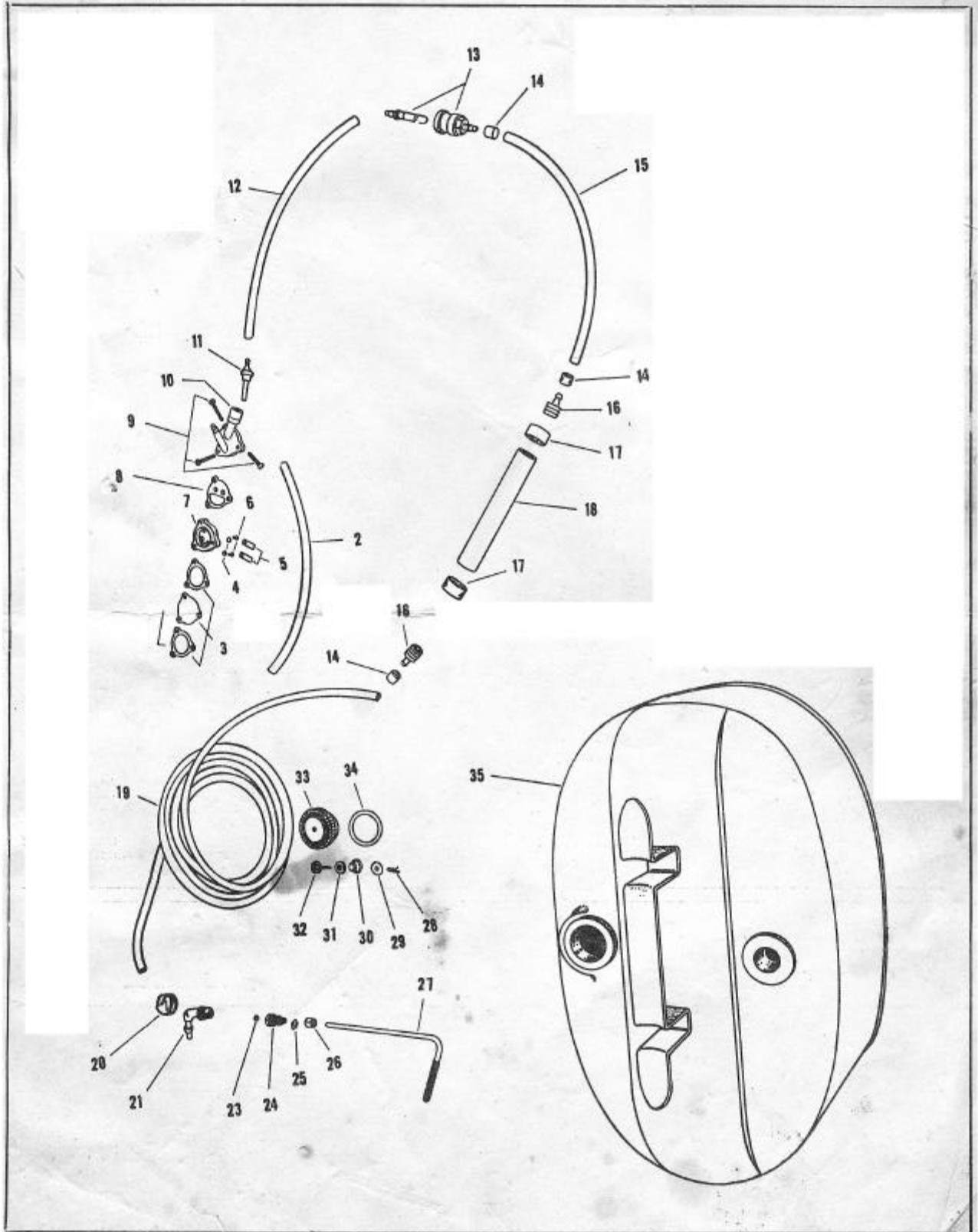
Always give Model and Serial Number of Engine when Ordering Parts



Fuel System

Illus- tration No.	Part No.	Description	Quantity Required
1	A50752	Fuel supply line assembly, includes: Illustration 13 thru 27	1
2	901753	Fuel line	1
3	AA24747-1	Fuel pump diaphragm assembly, includes: Gaskets	1
4	1/8 ID x 1/4 OD x .017	Plain washer	2
5	18160-1	Reed	2
6	4-40 x 3/16	Pan head machine screw	2
7	A24757-3	Fuel pump reed plate assembly, includes: Reeds, washers, screws	1
8	24748	Fuel pump gasket	1
9	10-24 x 1-1/16	Fillister head machine screw	3
10	901746	Fuel pump cover	1
11	901811	Fuel pump filter	1
12	901754	Fuel line	1
13	A901787-1	Fuel line coupler assembly, includes: Bushing, clamps	1
14		Fuel line ferrule. Note: For replacement Order C3122-8-67 Hose clamp	2
15	A50754	Fuel line w/clamps	1
16	24769-2	Fuel line prime bulb adapter	2
17		Order A901766 Fuel line prime bulb assembly	
18	A901766	Fuel line prime bulb assembly, includes: Bulb, adapters, ferrules, clamps	1
19	A24752	Fuel line long with clamps	1
20	C3122-8-67	Hose clamp	1
21	27314-2	Fuel line elbow	1
23	901740-1	Ball check valve	1
24	50755	Ball check body	1
25	1/4 OD Tube	Ball sleeve	1
26	1/4 OD Tube 7/16-24	Nut	1
27	50796	Fuel tank line	1
28	1-HP 111	Internal hair pin cotter	1
29	2388	Vent screw disc	1
30	2389	Vent screw spring	1
31	257	Vent screw gasket	1
32	2256	Vent screw	1
33	901251-2	Filler cap	1
34	901252	Filler cap gasket	1
35	50034	Fuel tank, only	1
36	A901251-2	Filler cap assembly, includes: Illustration 28 thru 34	1

Always give Model and Serial Number of Engine when Ordering Parts



Specifications

HORSEPOWER—12 O.B.C. Certified Brake H.P. at 4000 R.P.M.

MOTOR—Twin Cylinder Alternate Firing 2 Port Type.

BORE AND STROKE—2 3/4" Bore x 2" Stroke.

PISTON DISPLACEMENT—17.71 Cubic Inches.

CONNECTING RODS—Nickel Steel—Uncased Needle Bearings at Crankshaft, Cased Needle Bearing at Piston Pin.

CRANKSHAFT—Nickel Steel—Cased Needle Bearings at Lower and Upper Main, Uncased Needle Bearings at Center Main with Bronze Thrust Bearing.

PROPELLER SHAFT AND DRIVE SHAFT—Stainless Steel.

PROPELLER—Aluminum Alloy. Diameter 8", Pitch 8", Right Hand.

FUEL TANK—Separate Steel Tank with Gage. Capacity 4 1/2 Gallons.

FUEL SYSTEM—Tillotson Carburetor. Controls Conveniently Located Behind Carburetor Access Door.

FUEL FILTERS—Filter Screens in Fuel Tank and Fuel Pump.

TRANSOM HEIGHT—15 Inches.

WEIGHT NET—63 pounds.

SAFETY CHAIN RING—Fastened to Stern Bracket.

TILT LOCK—Positive Tilt Lock Permits Engine to Remain in Tilted Position when not in use.

LUBRICATION CHART

Part Name	Type of Lubricant	How Often
Starter pinion gear	SAE 30 Motor Oil	If starter operation becomes sluggish
Starter spool bearings	SAE 30 Motor Oil	If starter operation becomes sluggish
Magneto control cable pulleys	SAE 30 Motor Oil	Twice each season, oftener if required
Gear shift control rod linkage bearings	SAE 30 Motor Oil	Twice each season, oftener if required
Throttle cam follower	SAE 30 Motor Oil	Twice each season, oftener if required
Magneto control shaft bearing	SAE 30 Motor Oil	Twice each season, oftener if required
Steering handle pinion gear	Light Grease	Twice each season, oftener if required
Steering handle bevel gear	Light Grease	Twice each season, oftener if required
King pin	Light Grease	Twice each season, oftener if required
Reverse tilt control lock	SAE 30 Motor Oil	Twice each season, oftener if required
Clamp screws	SAE 30 Motor Oil	Twice each season, oftener if required
Stern bracket pivot bolt	SAE 30 Motor Oil	Twice each season, oftener if required
Gear housing	Underwater Grease	Every 30 hours, oftener if required

SPECIAL ADJUSTMENTS

STEERING TENSION—Steering is stabilized by means of two friction shoes which apply tension to a friction shoe plate. Steering tension can be increased or decreased by tightening or loosening the elastic stop nut, illustration 2, on page 11.

MAGNETO BREAKER POINT GAP SPACING—.020.

SPARK PLUG—Use Champion H3J, or equivalent. Set spark plug electrode gap at .030 inches.

POINT OF THROTTLE OPENING—Set the position of the throttle cam follower arm, illustration 34 on page 7, in relation to the throttle cam follower, illustration 30, on page 7, so that the throttle shutter in the carburetor will be closed and all slack removed from the linkage when the throttle cam follower is on the adjusting mark. This is nearest the end of the throttle cam plate, illustration 6, on page 5. Magneto illustration.

SPARE SHEAR PINS

Spare shear pin holders are shown on page 3 illustration 30. To remove, push in the cover latch, insert finger in opening and push shear pin out through hole in support plate.

FUEL MIXTURE

Use 1/2 pint of Allstate or comparable outboard motor oil SAE number 30 or 40 per gallon of gasoline.

CARBURETOR BOWL DRAIN VALVE

Before transporting motor, disconnect the fuel supply line from the engine. Push and hold the drain valve button for five (5) seconds to permit all fuel, accumulated moisture and sediment to drain out of the bowl and prevent fuel seepage when motor is not upright.

REVERSE TILT LOCK

For your safety this Elgin model incorporates Reverse Tilt Control Springs which limit speed in reverse gear. At moderate speeds they keep the motor from "tipping up" under reverse thrust; when speed becomes excessive the motor will tilt up (overcoming the spring tension) and the motor will emerge from water.

ACCESSORY KITS

The Following Kits Are Available for Your Elgin Outboard Motor:

No. 5828 Remote Throttle and Gear Shift Control
No. 5846 Shear Pin Package

No. 5937 Remote Steering Bracket
No. 5913 Dual Engine Remote Steering Control

HOW TO ORDER PARTS

All items listed in this Parts booklet may be ordered through any Sears retail or mail order store. Parts are also available from any authorized Elgin service dealer or distributor. In ordering parts by mail, selling prices will be furnished on request or parts will be shipped at prevailing prices and you will be billed accordingly.

WHEN ORDERING ALWAYS GIVE THE FOLLOWING INFORMATION

The Part Number and Description.
Both the Model Number and Serial Number shown on the Identification Plate located on the Steering Handle.