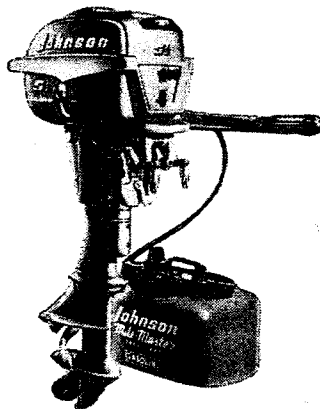


PARTS CATALOG

FOR

5/2

Model CD-12 and CDL-12.



JOHNSON MOTORS

Waukegan, Illinois, U.S.A.

Warranty

We warrant each new outboard motor of our manufacturers to be free from defects in material and workmanship under normal use and service, our obligation under this warranty being limited to making good at the factory any part or parts thereof which shall, within three (3) months after delivery of such motor to original purchasers, be returned to us with transportation charges prepaid, and which our examination shall disclose to our satisfaction to have been thus defective; this warranty being expressly in lieu of all other warranties and representations expressed or implied and of all other liabilities in connection with the sale or use of any motors.

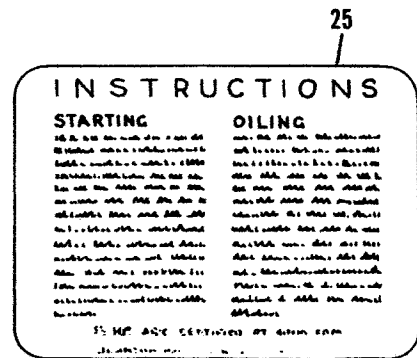
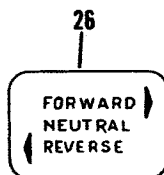
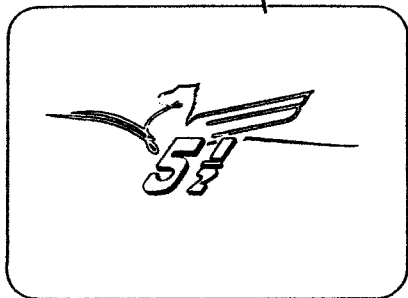
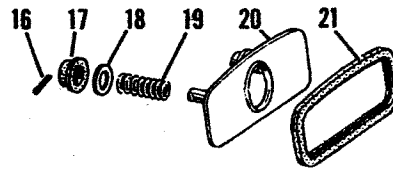
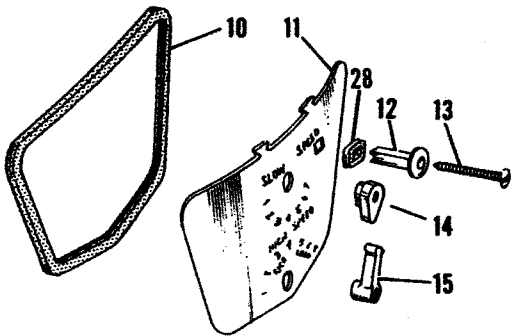
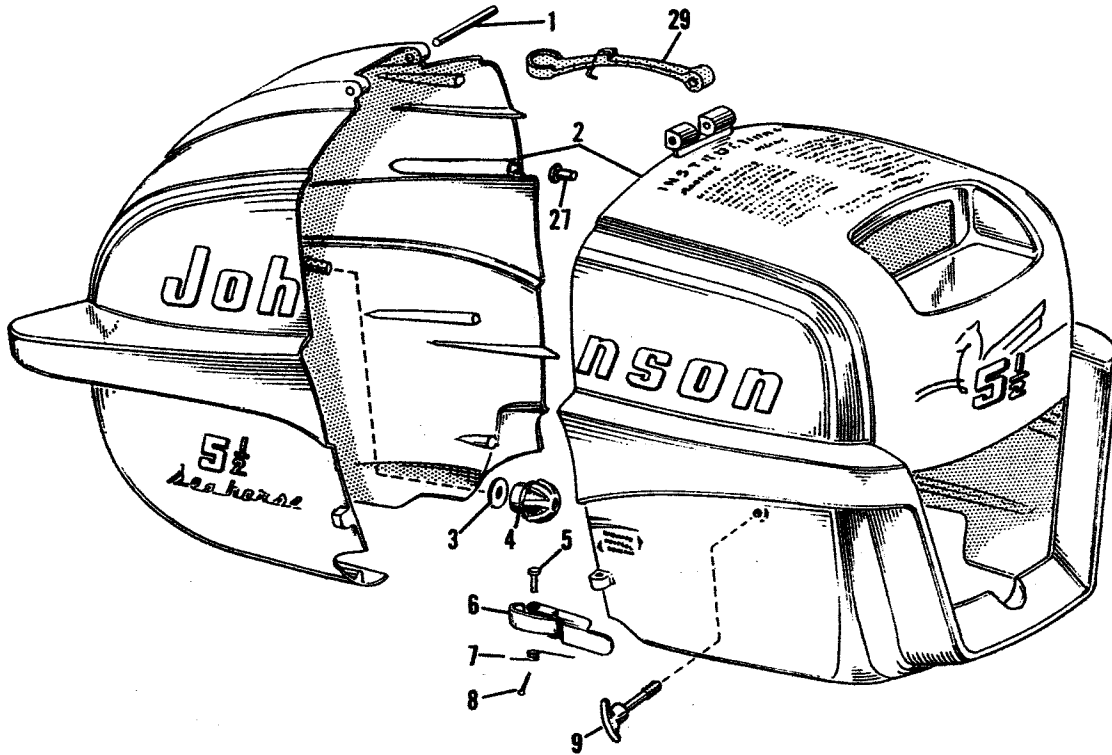
This warranty shall not apply to any motor which shall have been repaired or altered outside the factory in any way so as to affect its stability, nor which has been subject to misuse, negligence or accident. Warranty is void if motor is used for racing purpose.

We make no warranty in respect to trade accessories not of our manufacture; inasmuch as they are usually warranted separately by their respective manufacturers.

Because of the usual strains and accidents to which such products may be subjected, we make no warranty of either material or workmanship in racing outboard motors or any of our products when used for racing.

Claims must be entered on motors or motor parts returned to the factory for inspection, repair or replacement. Request form No. SE-16 from local Johnson Dealer or Service Station. This form should be filled in, signed by the motor owner and dealer or service station representatives and mailed to the factory with returned material, **TRANSPORTATION CHARGES PREPAID.**

SHROUD GROUP



Be Sure to Specify Model and Serial Number of Motor When Ordering Parts

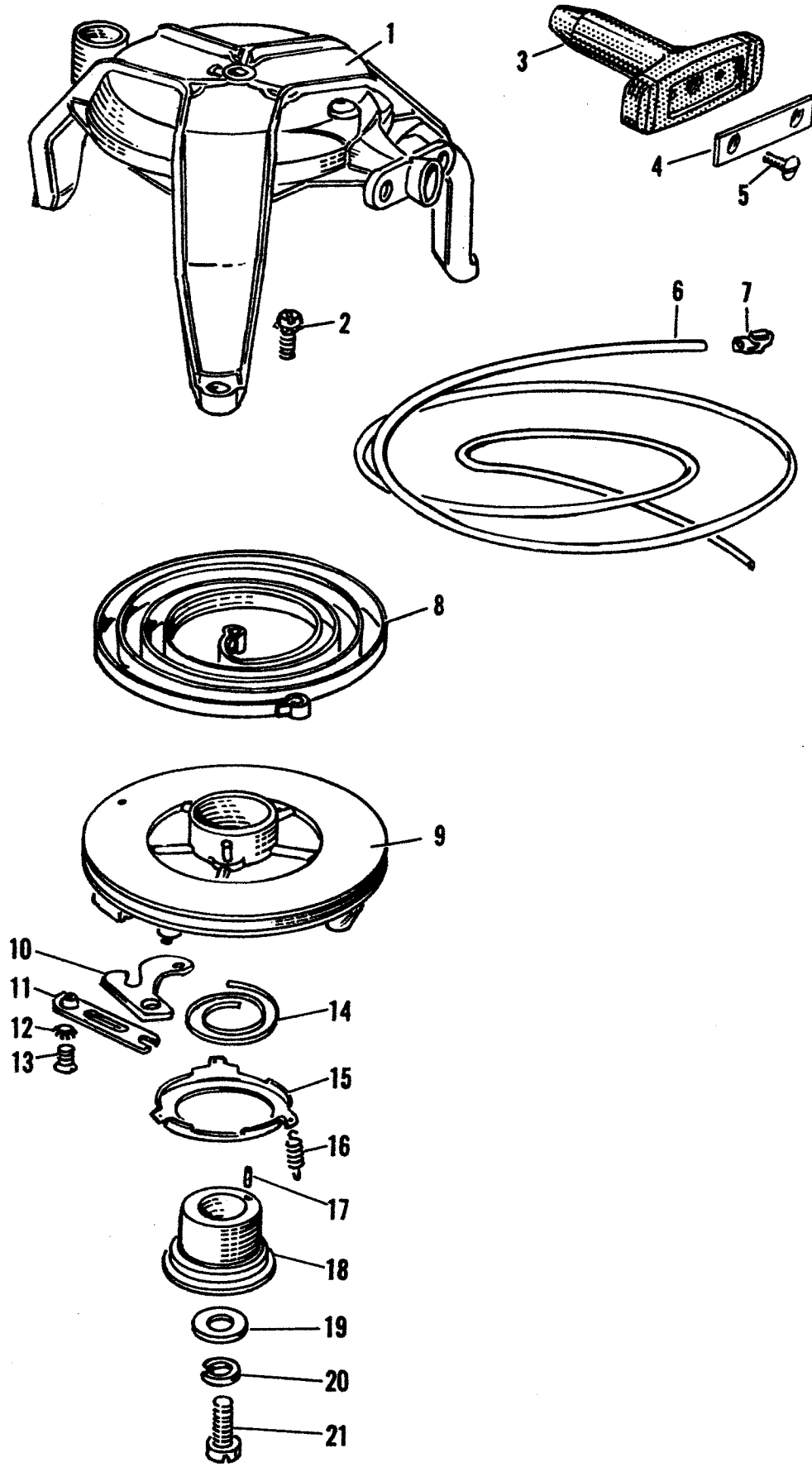
PHOTO AND PART NUMBERS FOR SHROUD GROUP

Photo No.	Part No.	Name of Part	Photo No.	Part No.	Name of Part
1	303536	Hinge Pin	15	303521	Adjusting Lever -
2	*376385	Shroud Assembly			High Speed
3	303565	Washer	16	41-163	Cotter Pin
4	303564	Bumper	17	303535	Grommet
5	303522	Pin	18	202065	Washer
6	376129	Clamp & Lever Assembly	19	303518	Spring
7	303519	Spring	20	303528	Cover
8	303590	Cotter Pin	21	303529	Grommet
9	376128	Wing Screw Assembly	22	304072	Transfer
10	303527	Grommet	23	303829	Transfer
11	303526	Control Panel	24	303830	Transfer
12	303718	Choke Knob	25	303828	Transfer
13	302761	Screw	26	303824	Transfer
14	303847	Adjusting Lever - Slow Speed	27	203290	Bumper
			28	303796	Grommet
			29	376432	Clip & Strap Assembly

*Models CD12 Motors built prior to Serial No. 1221830 order part No. 376386

Order All Parts from Nearest Service Station or Dealer

STARTER GROUP



Be Sure to Specify Model and Serial Number of Motor When Ordering Parts

PHOTO AND PART NUMBERS FOR STARTER GROUP

Photo No.	Part No.	Name of Part	Photo No.	Part No.	Name of Part
1	*376384	Starter Housing and Pin Assembly (376387 Starter Assembly Complete)	10	202470	Starter Pawl
2	303288	Screw	11	202317	Retainer
3	376132	Handle	12	71-1026	Lockwasher
4	303516	Clamp Plate	13	302104	Screw
5	41-205	Screw	14	302222	Friction Spring
6	*304097	Rope and Anchor Assembly	15	202114	Equalizer Cup
7	43-144	Anchor	16	202155	Spring
8	41-197	Spring	17	202156	Pin
9	*376377	Starter Pulley	18	276643	Spindle and Pin Assembly
			19	202356	Washer
			20	13-51	Lockwasher
			21	13-588	Screw

*Model CD-12 Motors built prior to Serial No. 1221830. Order following like part:

Photo No.	Part No.	Name of Part
1	376099	Starter Housing & Pin Assembly
6	44-19	Starter Rope
9	276589	Starter Pulley

Order All Parts from Nearest Service Station or Dealer

MAGNETO GROUP

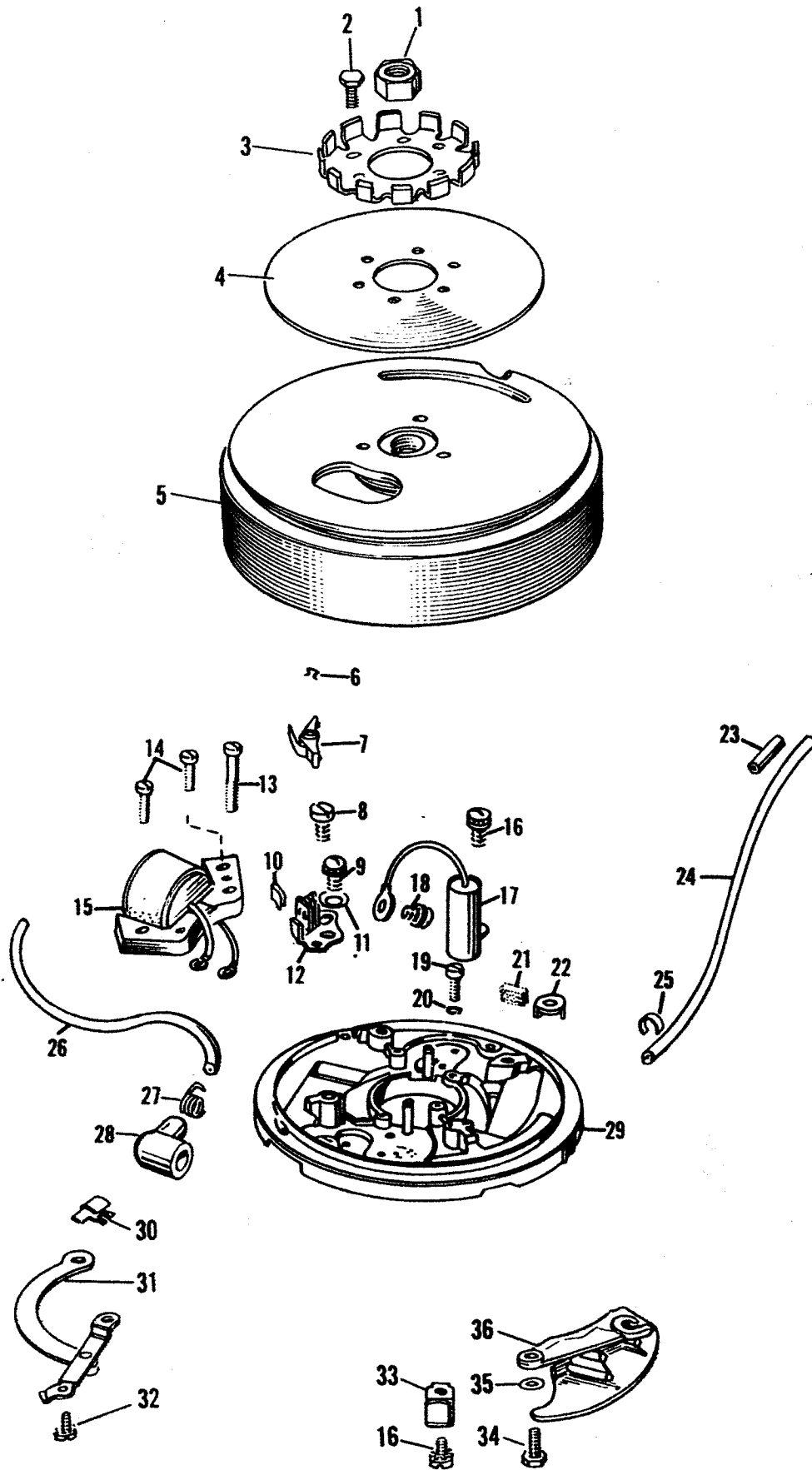


PHOTO AND PART NUMBERS FOR MAGNETO GROUP

Photo No.	Part No.	Name of Part	Photo No.	Part No.	Name of Part
1	301988	Nut	21	510189	Oiler Wick
2	302468	Screw	22	510188	Oiler Clip
3	202111	Ratchet	23	510233	Insulating Sleeve
4	303249	Cover	24	510256	High Tension Lead - Upper
5	580150	Flywheel Assembly		(580178	High Tension Lead Assembly - Upper)
6	71-1052	Spring Clip	25	71-1239	Marker
7	580123	Breaker Arm Assembly	26	510257	High - Tension Lead - Lower
	(580148	Breaker Assembly Complete)		(580179	High Tension Lead Assembly - Lower)
8	510185	Eccentric Screw	27	510231	Spring Terminal
9	15-249	Screw	28	510232	Rubber Cover
10	510204	Clip	29	580168	Armature Plate and Post Assembly
11	510208	Bow Washer		(580179	High Tension Lead Assembly Complete)
12	580122	Breaker Base Assembly	30	303146	Spring Clip
	(580148	Breaker Assembly Complete)	31	376064	Plate and Link Assembly
13	510191	Screw	32	510193	Screw
14	510195	Screw	33	510259	Clamp
15	580118	Coil and Lamination Assembly	34	302750	Screw
16	510193	Screw	35	21-200	Washer
17	510173	Condenser	36	303470	Cam
18	510194	Screw			
19	510192	Screw			
20	3-28	Lockwasher			

Order All Parts from Nearest Service Station or Dealer

CARBURETOR AND LEAF VALVE GROUP

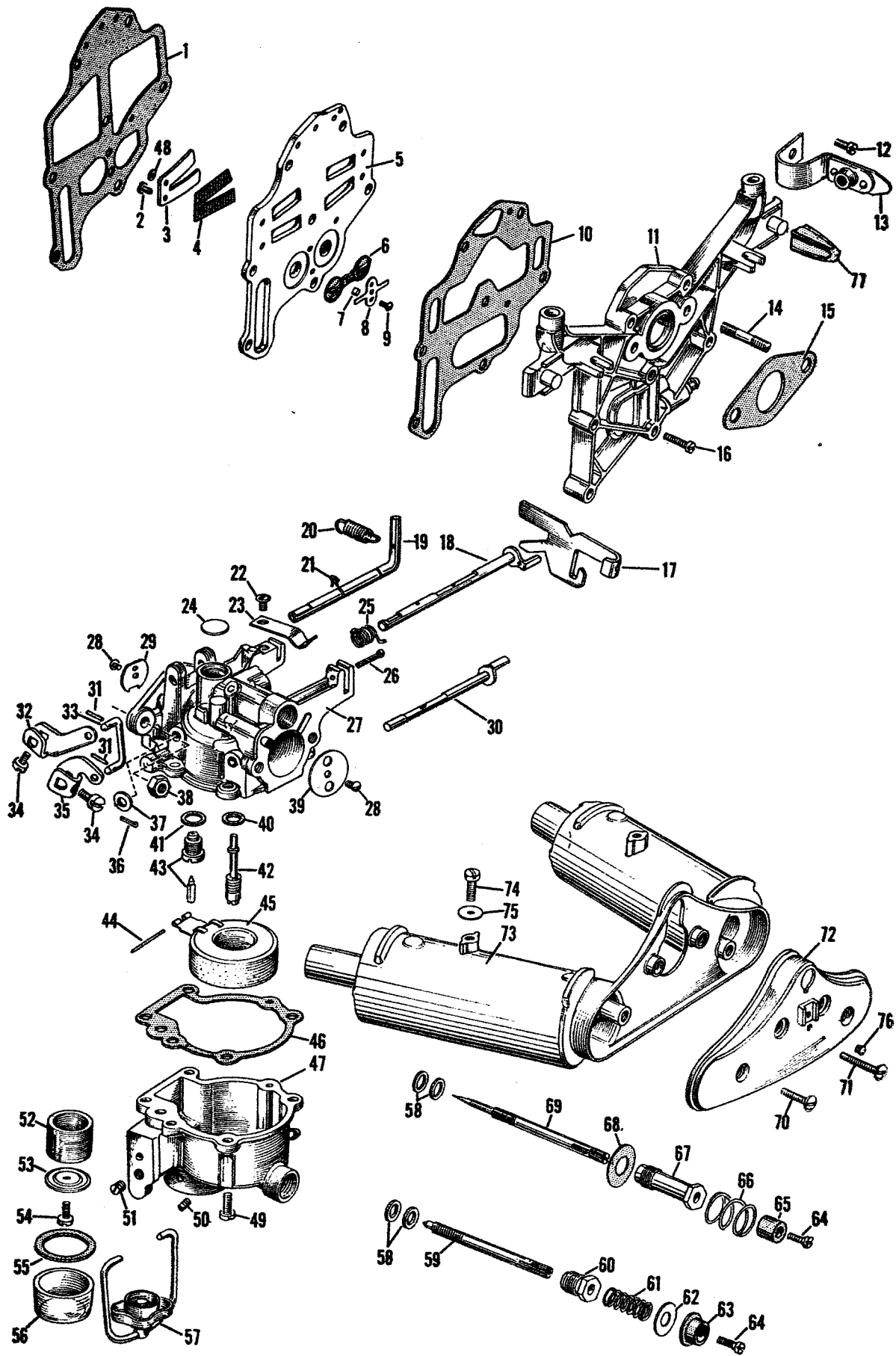


PHOTO AND PART NUMBERS FOR
CARBURETOR AND LEAF VALVE GROUP

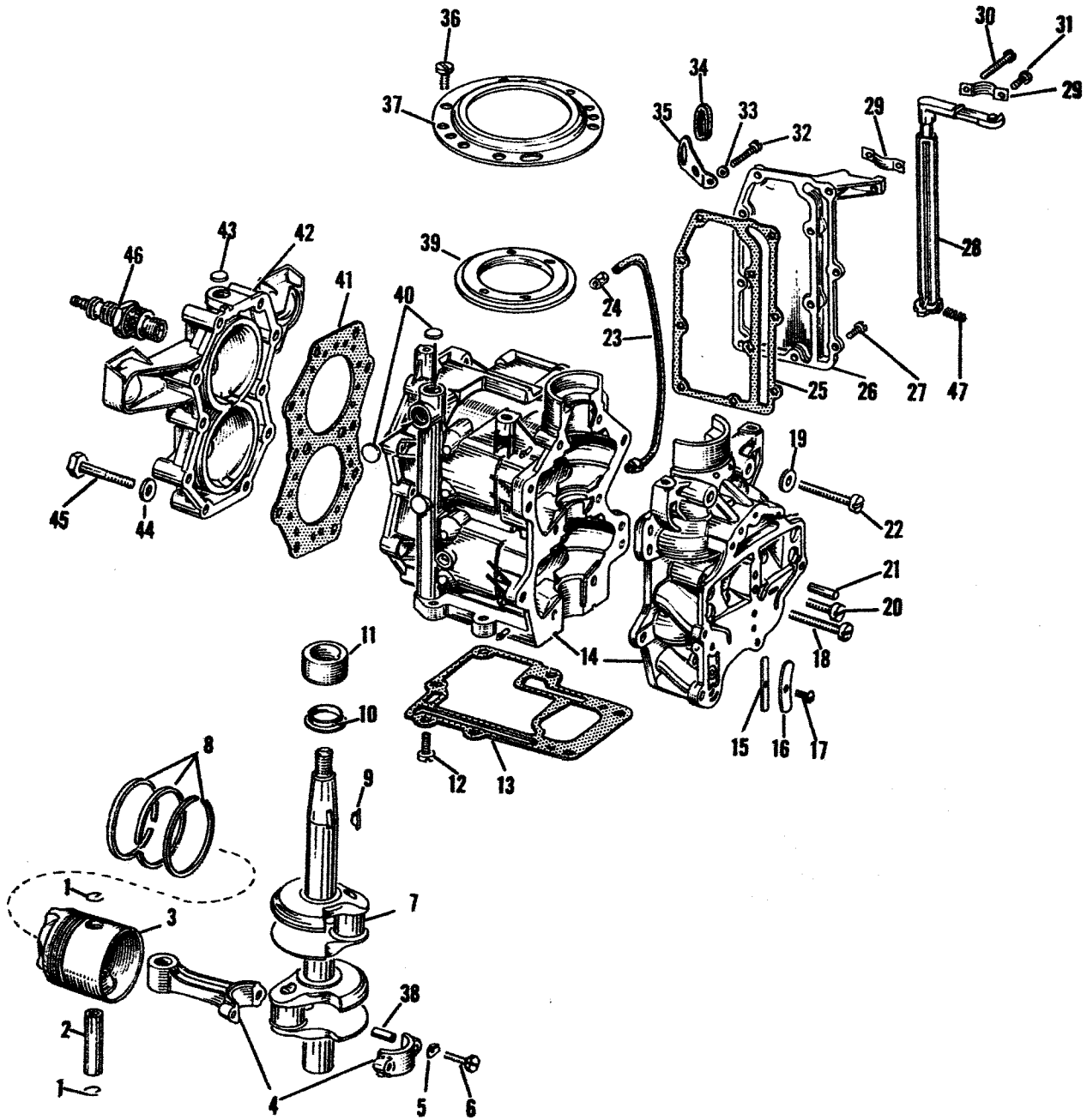
Photo No.	Part No.	Name of Part	Photo No.	Part No.	Name of Part
1	*304114	Gasket	39	303444	Choke Valve
2	303761	Screw	40	302984	Gasket
3	202668	Leaf Stop	41	301996	Gasket
4	202667	Leaf Valve	42	303447	Nozzle
5	*304115	Leaf Plate	43	375985	Float Valve and Seat Assembly
		*(376292 Leaf Plate Assembly	44	300096	Hinge Pin
6	302042	Check Valve	45	375919	Float and Float Arm Assembly
7	302046	Spacer	46	302994	Gasket
8	302048	Spring	47	376404	Float Chamber and Nipple Assembly
9	19-191	Screw	48	303762	Washer
10	*304116	Gasket	49	71-1589	Screw
11	*375382	Intake Manifold	50	303041	Screw
12	43-156	Screw	51	303125	Screw Plug
13	376131	Spring and Nut Assembly	52	303133	Filter Element
14	85-101	Stud	53	303134	Retainer
15	303437	Gasket	54	132509	Screw
16	133451	Screw	55	303122	Gasket
17	302997	Rod - Choke	56	303121	Filter Bowl
18	375922	Throttle Shaft and Lever Assembly	57	376231	Filter Yoke Assembly
19	303708	Follower	58	43-123	Packing
20	203166	Spring	59	303449	Needle Valve - High Speed
21	71-1052	Clip	60	300179	Nut
22	302430	Screw	61	303518	Spring
23	302977	Spring	62	202065	Washer
24	27-309	Plug	63	303535	Grommet
25	302996	Spring	64	551517	Screw
26	21-163	Cotter Pin	65	303532	Sleeve
27	376232	Carburetor Body and Plug Assembly (376100 Carburetor Assembly Complete)	66	303548	Spring
28	303760	Screw	67	303479	Nut
29	303446	Throttle Valve	68	203355	Washer
30	375921	Choke Shaft and Lever Assembly	69	303448	Needle Valve - Slow Speed
31	41-110	Pin	70	302124	Screw
32	203163	Lever	71	200931	Screw
33	203164	Link	72	203387	Cover
34	71-1038	Screw	73	277286	Loading Tube and Air Silencer Assembly
35	302978	Lever	74	25-74	Screw
36	303049	Cotter Pin	75	21-200	Washer
37	303048	Washer	76	203652	Button Plug
38	19-136	Nut			

*Model CD-12 Motors built Prior to Serial #1221830 Order Following like Part:

Photo No.	Part No.	Name of Part
1	303453	Gasket
5	303462	Leaf Plate
10	303454	Gasket
11	376088	Intake Manifold

Order All Parts from Nearest Service Station or Dealer

POWER HEAD GROUP



Be Sure to Specify Model and Serial Number of Motor When Ordering Parts

PHOTO AND PART NUMBERS FOR POWER HEAD GROUP

Photo No.	Part No.	Name of Part	Photo No.	Part No.	Name of Part
1	120110	Lock Ring	24	303473	Clamp
2	303333	Wrist Pin	25	303439	Gasket
3	376067	Piston and Dowel Pin Assembly	26	303407	Exhaust Cover
	(376070	Piston and Connect- ing Rod Assembly, with Rings)	27	25-74	Screw
4	376066	Connecting Rod Assembly	28	303468	Lever
5	41-17	Lockplate	29	303109	Bearing Clamp
6	41-44	Screw	30	132123	Screw
7	304109	Crankshaft	31	43-156	Screw
8	41-333	Piston Ring	32	132346	Screw
9	120395	Key	33	300154	Washer
10	303649	Oil Slinger	34	300454	Grommet
11	510168	Cam	35	300455	Anchor
12	51-47	Screw	36	41-223	Screw
13	303467	Gasket	37	303278	Support
14	376229	Cylinder and Crankcase Assembly	38	203319	Dowel
15	203235	Leaf Valve	39	303277	Retaining Ring
16	203248	Plate	40	27-309	Core Plug
17	19-191	Screw	41	303438	Gasket
18	41-178	Screw	42	376080	Cylinder Head and Core Plug Assembly
19	300399	Washer	43	27-309	Core Plug
20	51-47	Screw	44	43-302	Washer
21	300402	Taper Pin	45	303459	Screw
22	71-1084	Screw	46	*200322	Spark Plug (Cham- pion J6J)
23	303463	Hose	46	*376290	Spark Plug (Auto- Lite A3X)
			47	303236	Spring

***WE RECOMMEND EITHER CHAMPION OR AUTO-LITE SPARK PLUGS**

Order All Parts from Nearest Service Station or Dealer

LOWER UNIT AND STEERING HANDLE GROUP

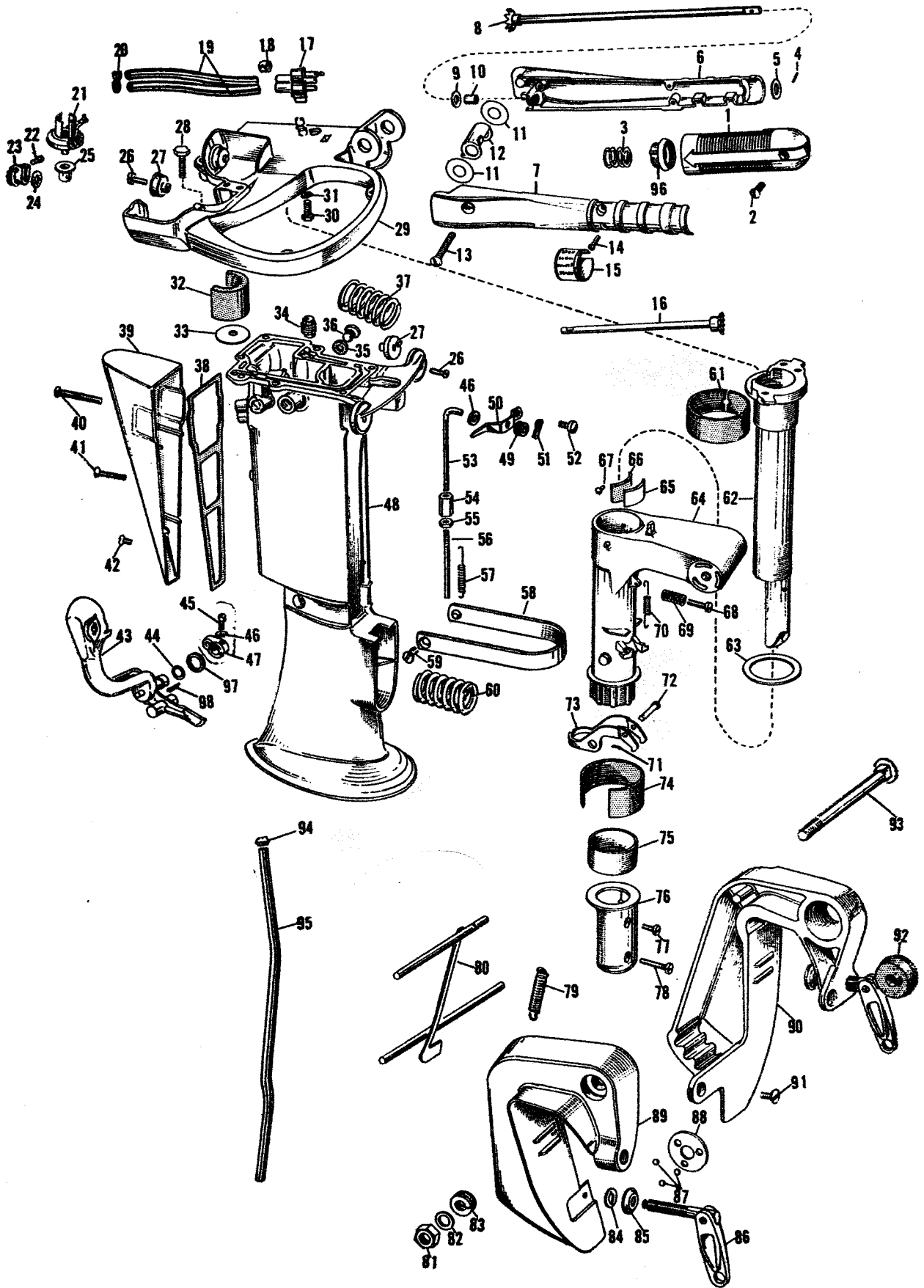


PHOTO AND PART NUMBERS FOR GEARCASE GROUP

Photo No.	Part No.	Name of Part	Photo No.	Part No.	Name of Part
1	303355	Gasket	34	300611	Dowel Pin
2	303356	Plate	35	376346	Gearcase, Bushing & Pin Assembly
3	303347	O-Ring	36	304071	Screw
4	303391	Seal	37	302756	Washer
5	303357	Spring	38	303358	Pivot Pin
6	303327	Washer	39	85-64	Nut
7	303261	Pin	40	303701	Lockwasher
8	376093	Driveshaft	41	15-268	Cotter Pin
9	300771	Pin	42	303702	Connector
10	304170	Thrust Washer	43	303401	Shift Rod - Lower
11	1-135	Key	44	304009	Pinion Gear
12	376073	Pinion Shaft & Shock Absorber Assembly	45	303380	Bearing
13	303339	Gasket	46	303361	Thrust Washer
14	376074	Bearing Housing & Bearing Assembly	47	303340	Lever
15	300599	Seal	48	302504	Pin
16	303376	Plate	49	15-268	Cotter Pin
17	277181	Impeller Assembly	50	303381	Cradle
18	303395	Screw	51	376078	Shift Clutch Dog Assembly
19	303442	Impeller Housing	52	303443	Propeller Shaft
20	302497	Grommet	53	376069	Gearcase Head & Bearing Assembly
21	303332	Bushing	54	303345	Seal
22	301877	O-Ring	55	303360	O-Ring
23	27-283	Plug	56	376072	Propeller
24	27-284	Gasket	57	13-332	Cotter Pin
25	302681	Screw	58	302333	Drive Pin
26	303344	Cover	59	303365	Rubber Cap
27	302325	Screw	62	376345	Gear & Bushing Assembly - Front
28	303331	Screen	63	304010	Gear - Rear Reversing
29	300314	Plug	64	303998	Bushing - Rear Reversing
30	303700	Spring			
31	303466	Spring			
32	43-156	Screw			
33	303328	Seal			

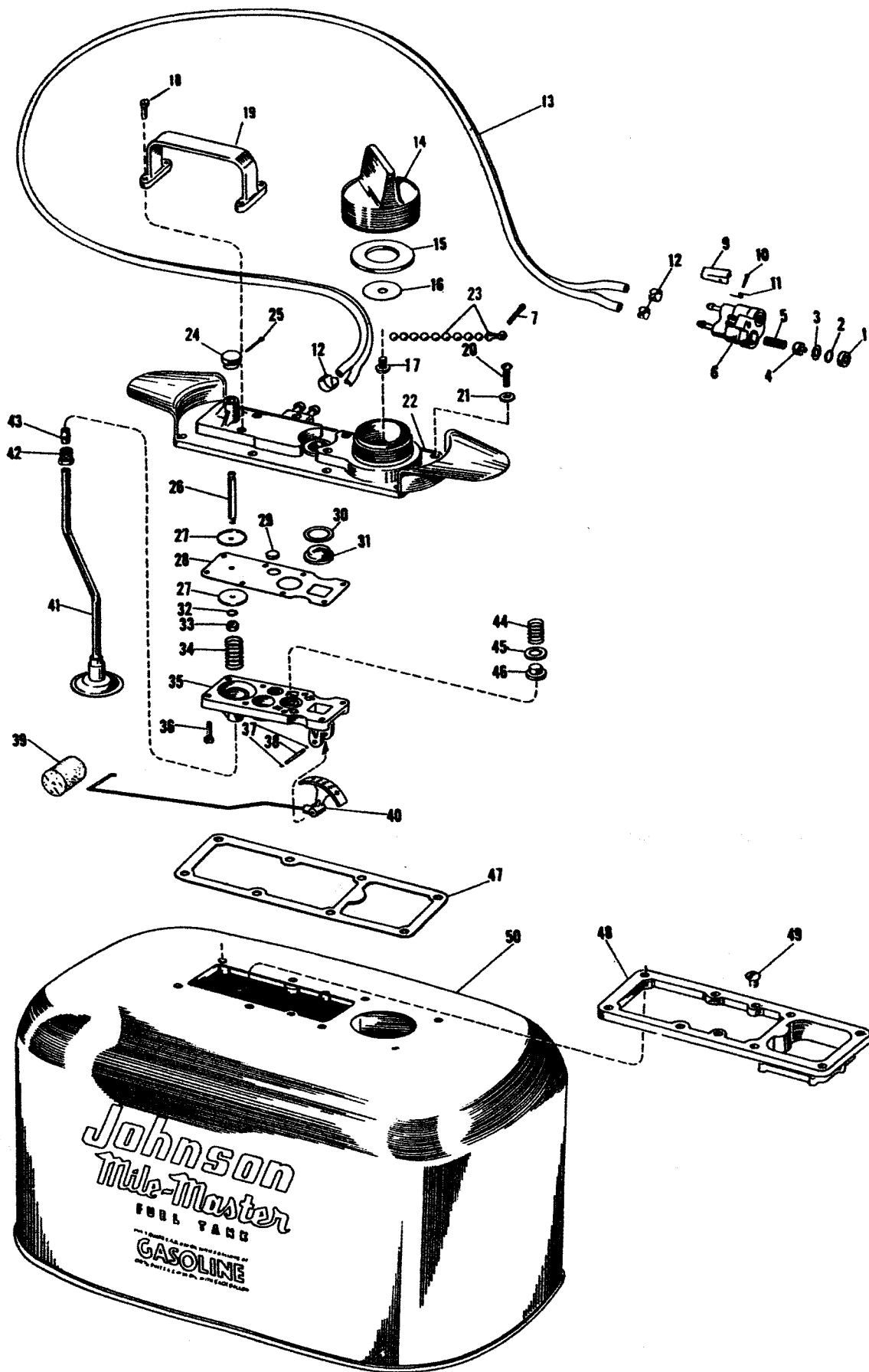
MODEL CDL-12 PARTS THAT DIFFER FROM MODEL CD-12

8	376273	Driveshaft	60	303672	Gearcase Extension
43	303666	Shift Rod - Lower	61	302325	Screw

See Page 15 For Additional Model CDL-12 Parts

Order All Parts from Nearest Service Station or Dealer

MILE MASTER FUEL TANK ASSEMBLY



Be Sure to Specify Model and Serial Number of Motor When Ordering Parts

**PHOTO AND PART NUMBERS FOR
MILE MASTER FUEL TANK ASSEMBLY**

Photo No.	Part No.	Name of Part	Photo No.	Part No.	Name of Part
1	301828	Retainer	28	302563	Diaphragm
2	301824	O-Ring	29	301802	Disc Valve
3	301827	Washer	30	302571	Seal
4	301826	Valve	31	302568	Glass
5	301825	Spring	32	301736	Lockwasher
6	375587	Fuel Connector Assembly	33	21-195	Nut
7	15-213	Cotter Pin	34	301803	Spring
9	301830	Lock	35	302555	Housing
10	301832	Rivet	36	13-558	Screw
11	301829	Spring	37	302654	Snap Ring
12	301822	Clamp	38	302653	Pin
13	303414	Hose	39	302559	Float
14	375817	Filler Cap Assembly	40	376192	Indicator Assembly
15	301835	Gasket	41	376191	Foot Valve Assembly
16	302560	Plate	42	132691	Nut
17	301837	Screw	43	13-304	Gland
18	13-558	Screw	44	302135	Spring
19	302570	Handle	45	302137	Washer
20	304137	Screw	46	302136	Valve
21	301814	Gasket	47	302557	Gasket
22	376276	Housing	48	302556	Support
23	301838	Chain	49	53-85	Screw
24	301815	Push Button	50	376092	Fuel Tank (Only)
25	17-186	Cotter Pin		(376095	Fuel Tank Assembly
26	302561	Push Rod		Complete)	
27	301800	Support			

Order All Parts from Nearest Service Station or Dealer