

Johnson motors

**parts
catalog**



MODELS

AD-ADL-10

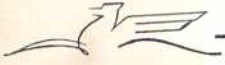
7½ hp

Distributors for British Columbia
HOFFARS LIMITED

1625 First Ave. West
VANCOUVER 9, - B. C.

PETERBOROUGH, CANADA

J O H N S O N M O T O R S



WARRANTY

We warrant each new outboard motor of our manufacture to be free from defects in material and workmanship under normal use and service, our obligation under this warranty being limited to making good at the factory any part or parts thereof which shall, within three months after initial use, or within one year from date of original purchase, whichever first occurs, be returned to us with transportation charges prepaid, and which our examination shall disclose to our satisfaction to have been thus defective; this warranty being expressly in lieu of all other warranties and representations expressed or implied and of all other liabilities in connection with the sale or use of any motors.

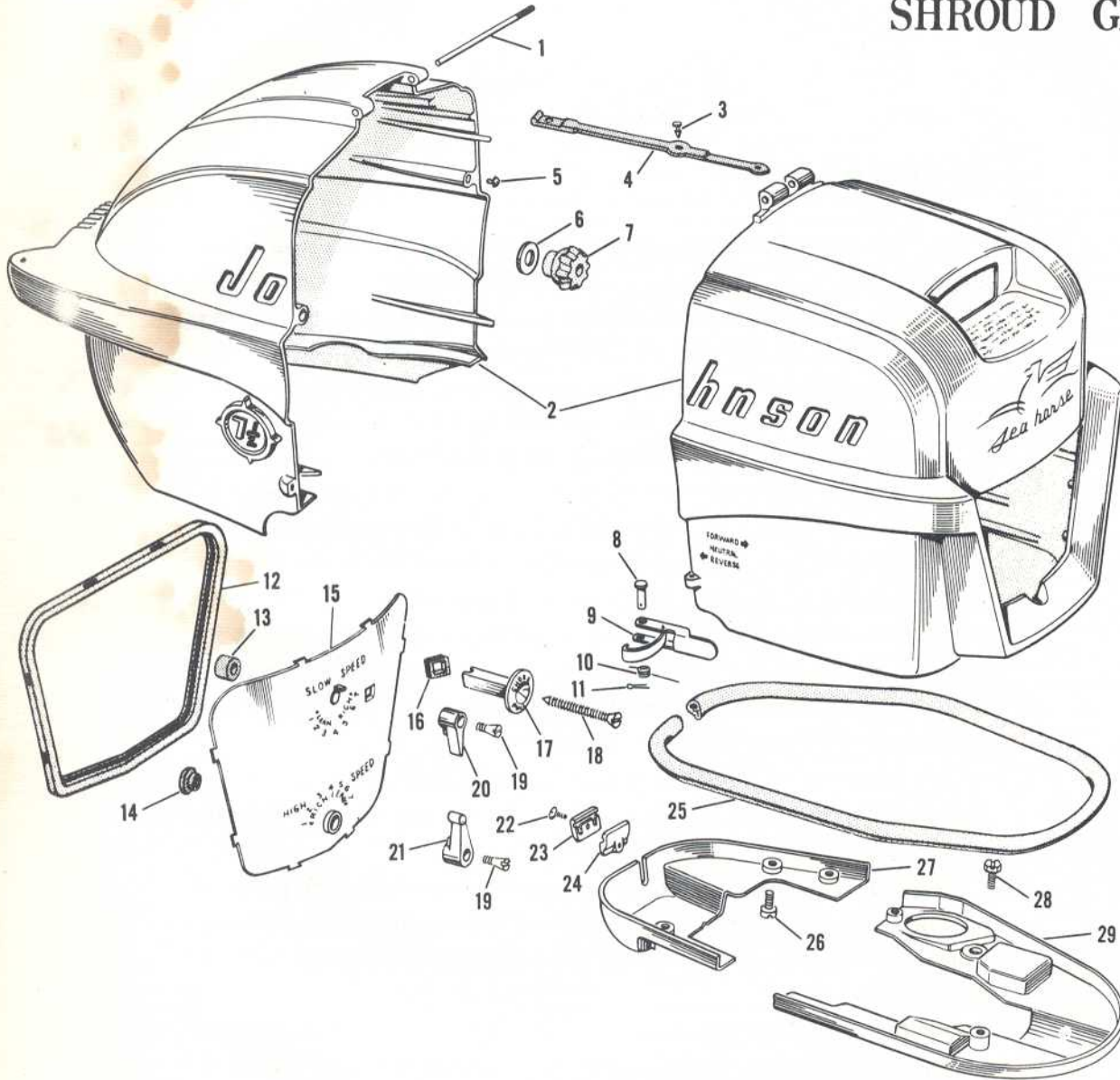
This warranty shall not apply to any motor which shall have been repaired or altered outside the factory in any way so as to affect its stability, nor which has been subject to misuse, negligence or accident, or operated for racing purposes or operated in any other way than in accordance with our operating instructions.

We make no warranty in respect to trade accessories not of our manufacture, inasmuch as they are usually warranted separately by their respective manufacturers.

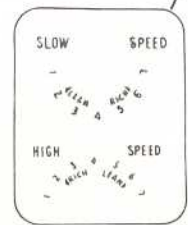
Because of the unusual strains and accidents to which such products may be subjected, we make no warranty of either material or workmanship in racing outboard motors or any of our products when used for racing.

Claims must be entered on motors or motor parts returned to the factory for inspection, repair or replacement. Request form No. SE-6 from local Johnson Dealer or Service Station. **This form should be filled in, signed by the motor owner and dealer or service station representatives and mailed to the factory with returned material. TRANSPORTATION CHARGES PREPAID.**

SHROUD GROUP



Johnson

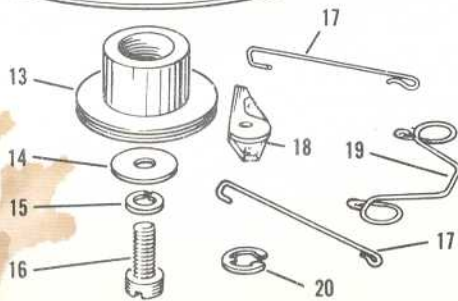
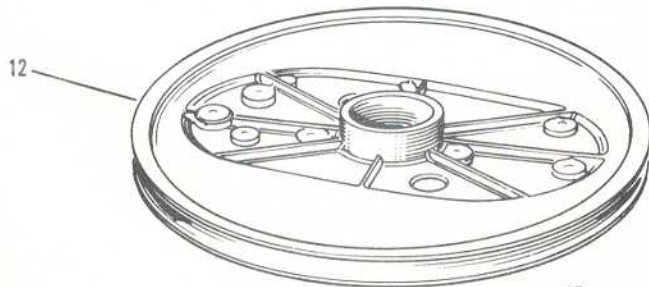
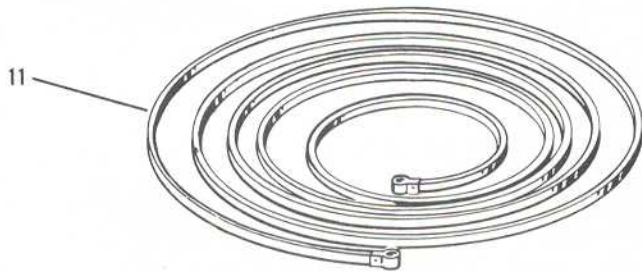
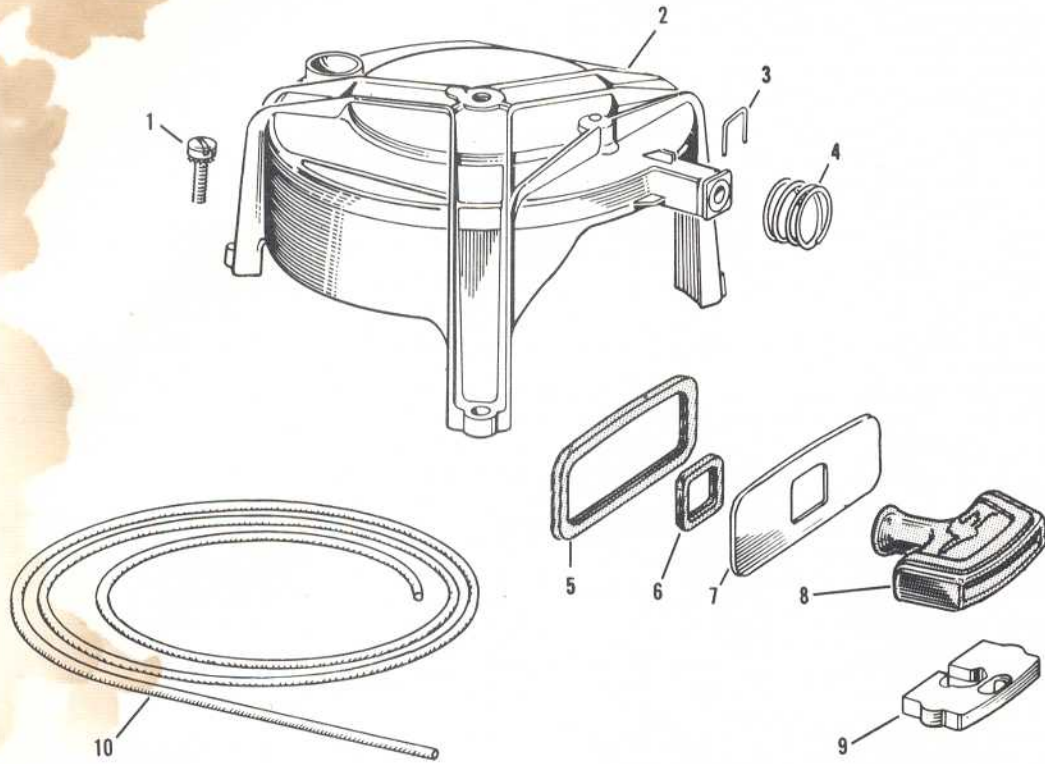
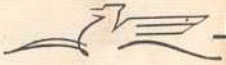


TO START
 1 Shift to Neutral. 2 Connect fuel line.
 3 Pump fuel primer until pressure is felt.
 4 Set speed control at start of full.
 5 Pull choke out and start.
 (Manufacturer's name)
 Read the manual for complete instructions.
 SPARK PLUG: Use only the recommended type.
 1940 O&C Copyright © 1940 Johnson

BE SURE TO SPECIFY MODEL AND SERIAL NUMBER
OF MOTOR WHEN ORDERING PARTS

PHOTO NO.	PART NO.	NAME OF PART	QTY. PER MOTOR
1	303536	Hinge Pin	1
2	376542	Shroud & Transfer Assembly	1
3	304485	Pin	1
4	376627	Strap & Pin Assembly	1
5	203290	Bumper	2
6	303565	Washer	2
7	304461	Bumper	2
8	303522	Pin	2
9	376129	Clamp & Lever Assembly	2
10	303519	Spring	2
11	303590	Cotter Pin	2
12	304303	Grommet	1
13	303532	Sleeve	1
14	303535	Grommet	1
15	376519	Control Panel & Transfer Assembly	1
16	303796	Grommet	1
17	303718	Choke Knob	1
18	302761	Screw	1
19	551517	Screw	2
20	303847	Lever - Slow Speed	1
21	304360	Lever - High Speed	1
22	304022	Screw	1
23	304021	Clamp - Outer	1
24	304020	Clamp - Inner	1
25	304297	Seal	1
26	304013	Screw	6
27	304240	Cover - Lower - Rear	1
28	304015	Screw	1
29	304239	Cover - Lower - Front	1
30	304334	Transfer - Johnson - Port & Starboard	2
31	304383	Medallion - "7-1/2"	2
32	304387	Nut	4
33	304349	Transfer - Gearshift	1
34	304339	Transfer - Sea Horse - Front	1
35	304372	Transfer - Starting	1
36	304307	Transfer - Control Panel	1

ORDER ALL PARTS FROM YOUR JOHNSON SEA-HORSE DEALER

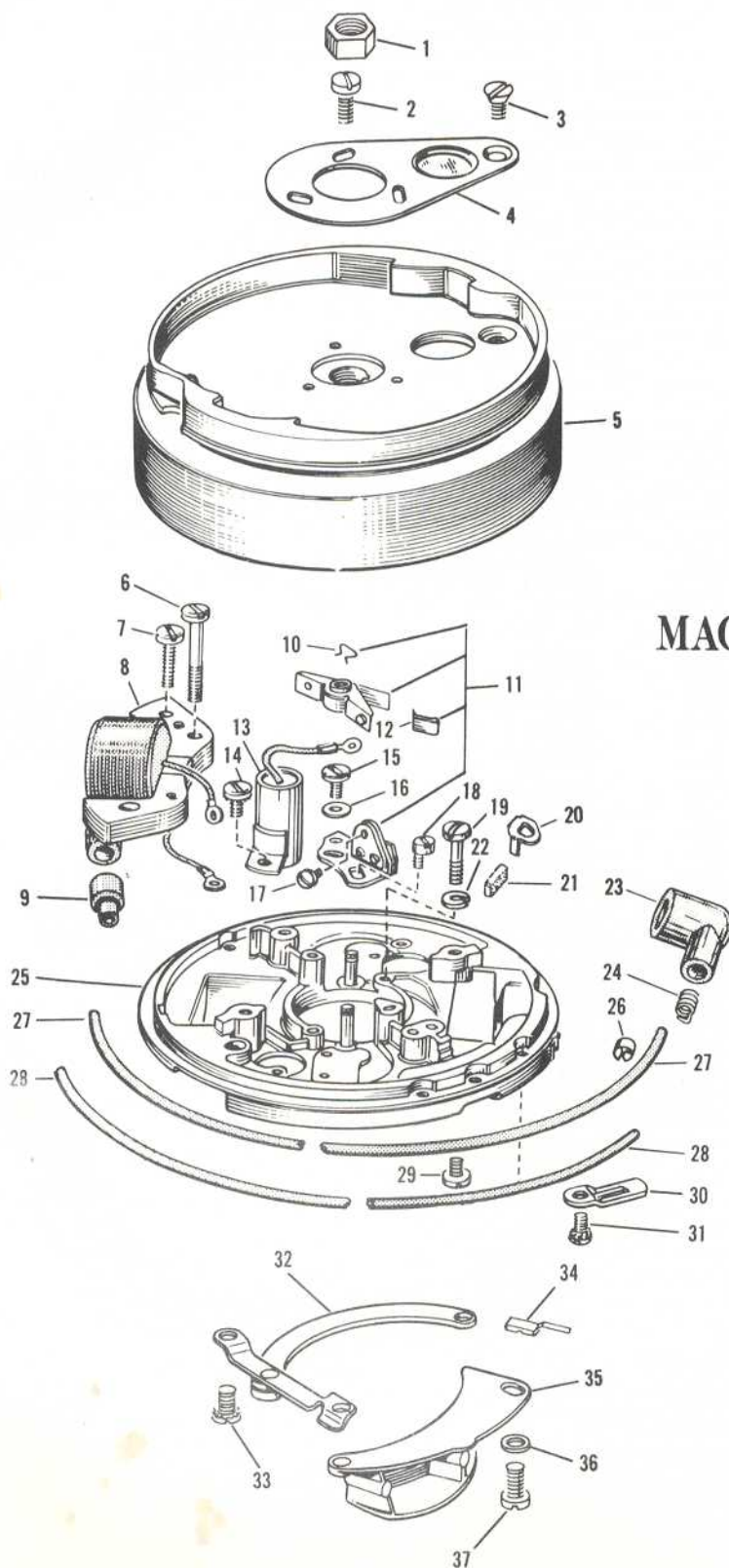


STARTER GROUP

BE SURE TO SPECIFY MODEL AND SERIAL NUMBER
OF MOTOR WHEN ORDERING PARTS

PHOTO NO.	PART NO.	NAME OF PART	QTY. PER MOTOR
1	303288	Screw	3
2	376669	Starter Housing & Pin Assembly	1
	(376783	Starter Assembly Complete)	1
3	304237	Spring Clip	1
4	304235	Spring	1
5	303529	Grommet	1
6	304236	Grommet	1
7	304238	Cover	1
8	304324	Handle	1
9	304323	Anchor	1
10	203820	Rope	1
11	41-197	Spring	1
12	376670	Starter Pulley & Pin Assembly	1
13	203699	Spindle	1
14	202356	Washer	1
15	13-51	Lockwasher	1
16	13-588	Screw	1
17	203713	Link	2
18	203698	Pawl	1
19	203697	Friction Spring	1
20	203470	Retaining Ring	1

ORDER ALL PARTS FROM YOUR JOHNSON SEA-HORSE DEALER

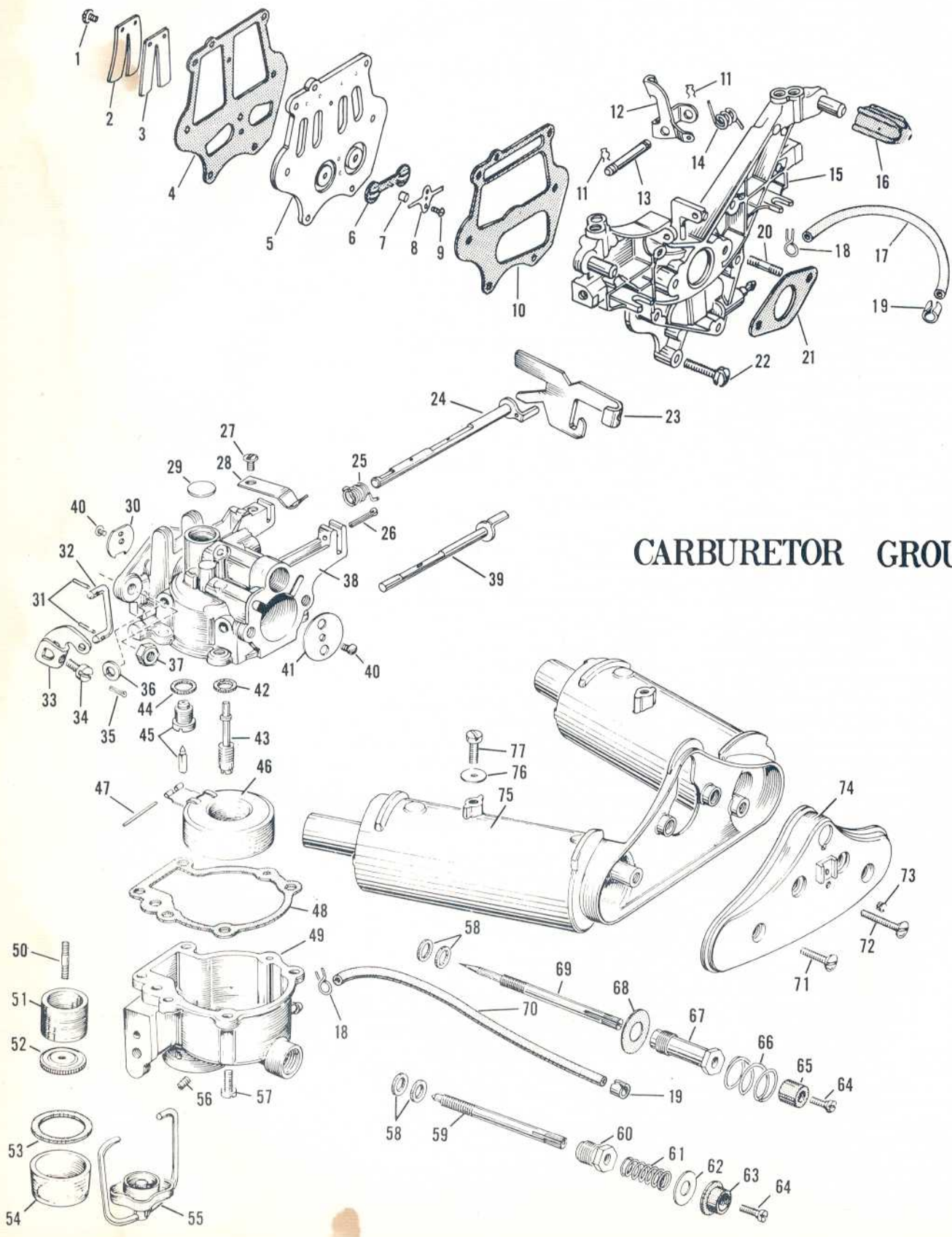


MAGNETO GROUP

BE SURE TO SPECIFY MODEL AND SERIAL NUMBER
OF MOTOR WHEN ORDERING PARTS

PHOTO NO.	PART NO.	NAME OF PART	QTY. PER MOTOR
1	301988	Nut	1
2	203751	Screw	3
3	510293	Screw	1
4	510292	Cover	1
5	580218	Flywheel & Cover Assembly	1
6	510191	Screw	2
7	510195	Screw	4
8	580118	Coil & Lamination Assembly	2
9	510289	Grommet	2
10	71-1052	Spring Clip	2
11	580148	Breaker Point Assembly	2
12	510204	Clip	2
13	510173	Condenser	2
14	510193	Screw	3
15	510278	Screw	4
16	510208	Bow Washer	2
17	510194	Screw	2
18	510185	Eccentric Screw	2
19	510192	Screw	2
20	510188	Oiler Clip	1
21	510189	Oiler Wick	1
22	3-28	Lockwasher	2
23	510232	Cover	2
24	510231	Spring Terminal	2
25	580210	Armature Plate & Post Assembly	1
	(580219	Armature Plate Assembly)	1
26	120783	Marker	1
27	580178	High Tension Lead - Upper with Terminal	1
28	580179	High Tension Lead - Lower with Terminal	1
29	510278	Screw	4
30	510259	Clamp	1
31	510193	Screw	3
32	376064	Plate & Link Assembly	1
33	510193	Screw	2
34	303146	Spring Clip	1
35	203888	Cam	1
36	303952	Washer	4
37	302750	Screw	2

ORDER ALL PARTS FROM YOUR JOHNSON SEA-HORSE DEALER



CARBURETOR GROUP