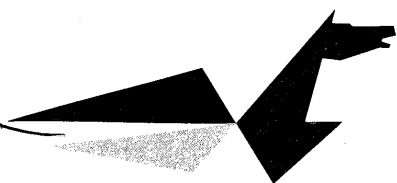
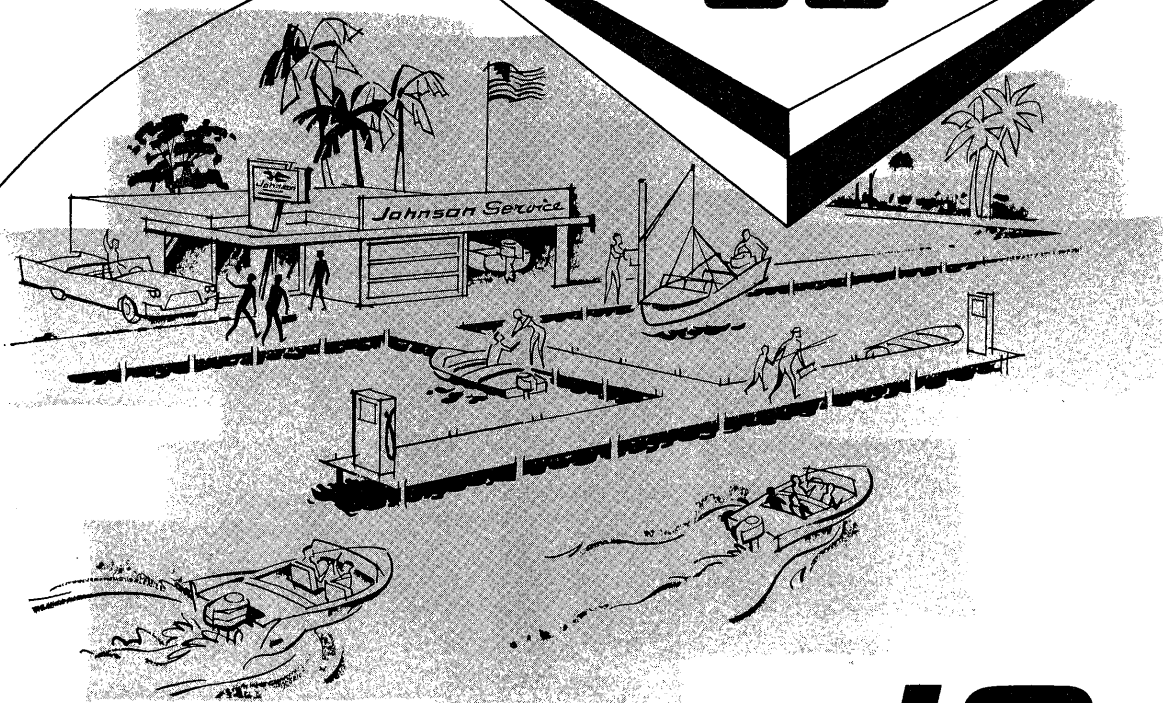


Johnson

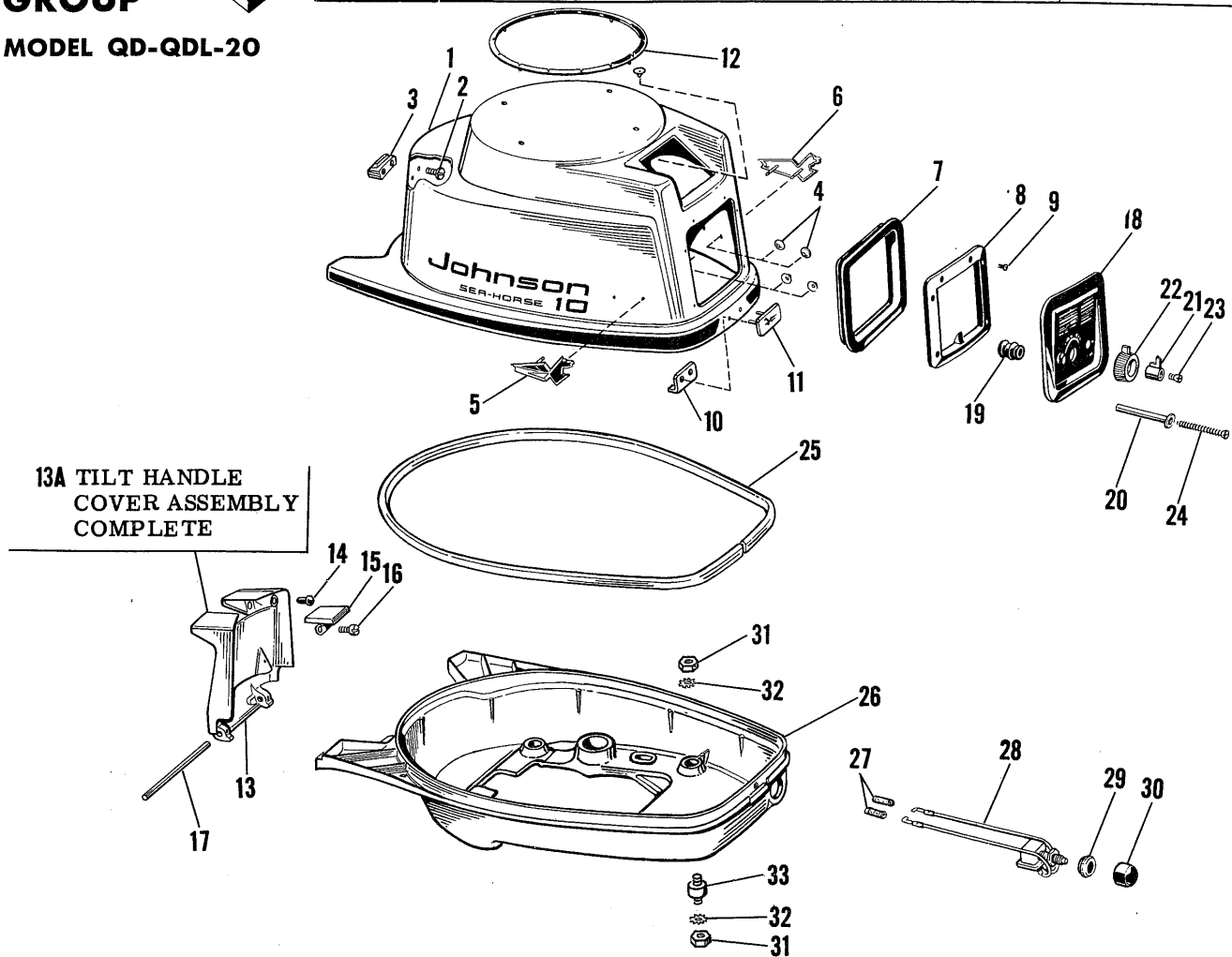
Parts Catalog '59



10 HP
MODELS
QD · QDL 20



MODEL QD-QDL-20



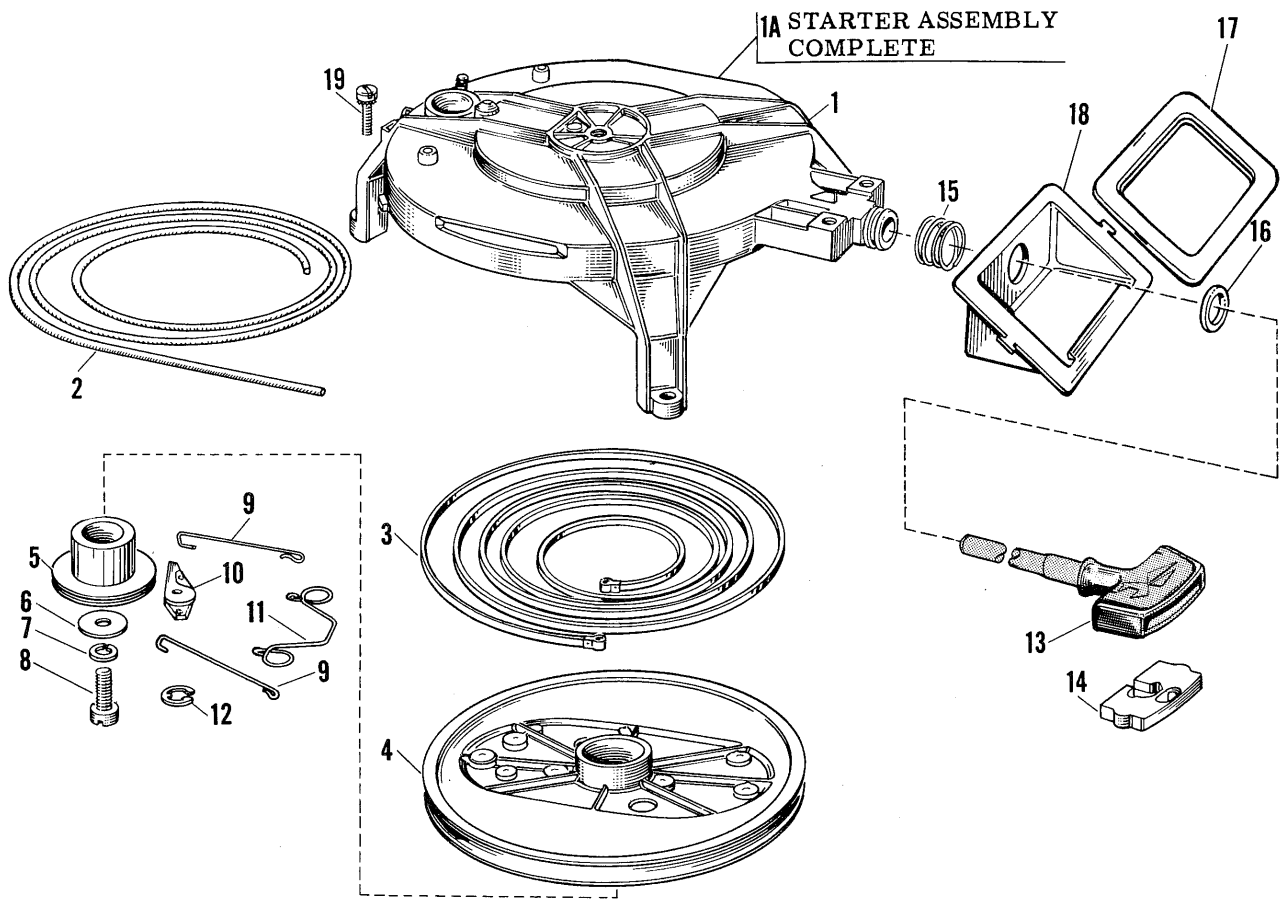
ITEM NO.	PART NO.	NAME OF PART	QTY.	BIN NO.	ITEM NO.	PART NO.	NAME OF PART	QTY.	BIN NO.
1	377686	Shroud Assy. Complete	1		17	306126	Hinge Pin	1	
2	306014	. Screw	2		18	377684	Control Panel & Decal Assembly	1	
3	306133	. Lock	1		19	306079	Grommet	1	
4	204476	. Fastener	8		20	306078	Choke Knob	1	
5	306623	. Name Plate - Sea Horse - Starboard	1		21	377573	Adjusting Lever - Slow Speed	1	
6	306622	. Name Plate - Sea Horse - Port	1		22	306077	Adjusting Knob - High Speed	1	
7	306101	. Seal	1		23	551517	Screw	2	
8	306102	. Frame	1		24	306704	Screw	1	
9	204013	. Rivet	8		25	306093	Seal	1	
10	306136	. Hook	1		26	306107	Motor Cover - Lower	1	
11	377603	. Rivet Plate Assembly	1		27	303806	Tubing	2	
12	306191	. Ring	1		28	377289	Stop Switch	1	
13A	377696	Tilting Handle Cover - Luster Cal & Bumper Assy.	1		29	203658	Nut	1	
13	377771	. Cover & Latch Assy.	1		30	203660	Cover	1	
14	203290	. Bumper	4		31	302103	Nut	8	
15	377597	. . Latch Assembly	1		32	306799	Lockwasher	8	
16	306128	. . Screw	2		33	377582	Rubber Mount Assembly	4	

Indented part names indicate that these parts are included in preceding assemblies.

NOTE

Decal Set Assembly
Part No. 377834

SPECIFY MODEL AND SERIAL NUMBER OF MOTOR WHEN ORDERING PARTS



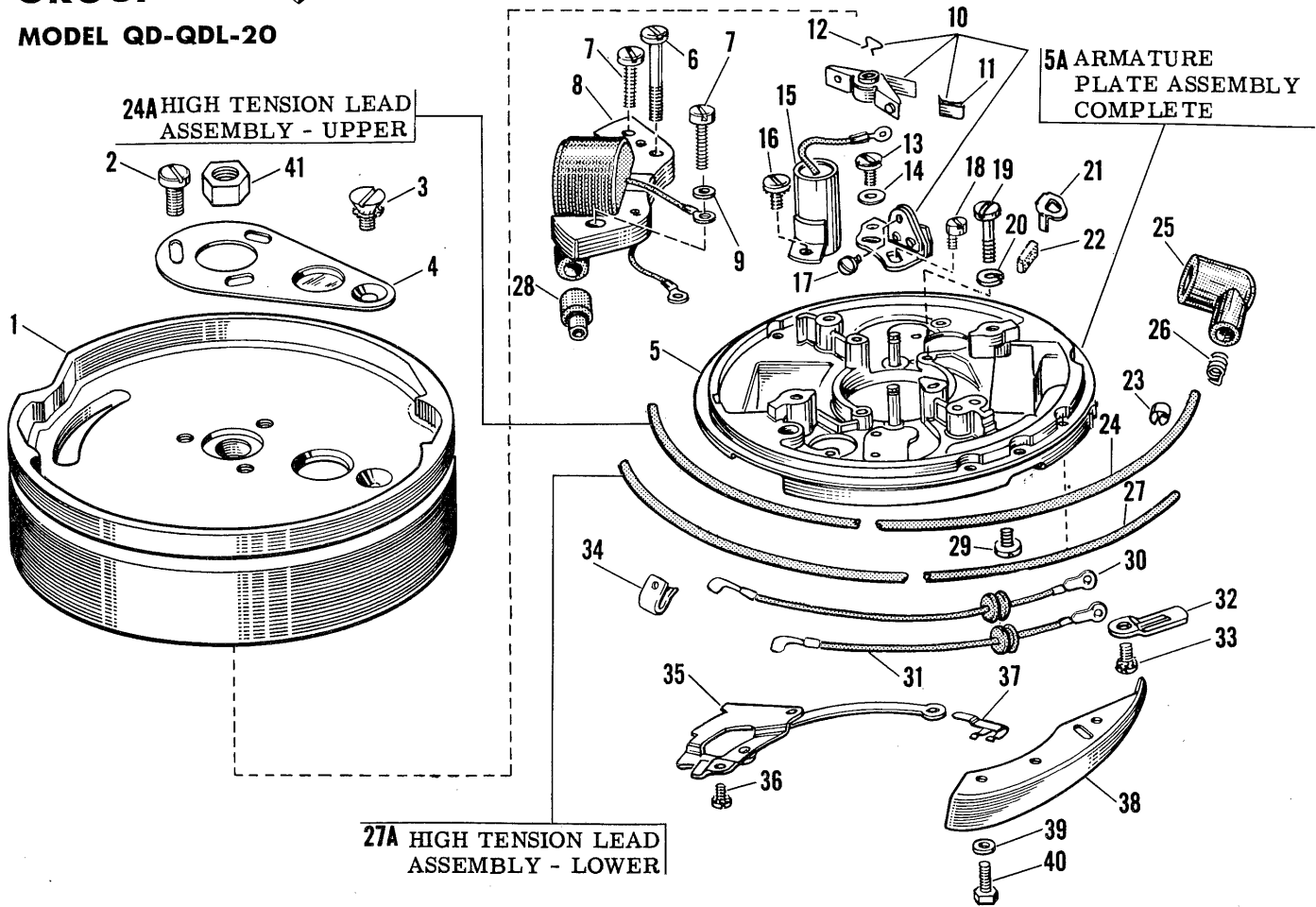
ITEM NO.	PART NO.	NAME OF PART	QTY.	BIN NO.
1A	377845	Starter Assembly Complete	1	
1	277557	. Starter Housing & Pin Assembly	1	
2	203822	. Rope	1	
3	41-197	. Starter Spring	1	
4	377229	. Starter Pulley & Pin Assembly	1	
5	203699	. Spindle	1	
6	202356	. Washer	1	
7	306339	. Lockwasher	1	
8	306361	. Screw	1	
9	203713	. Link	2	
10	203698	. Pawl	1	
11	203697	. Friction Spring	1	
12	203470	. Retaining Ring	1	
13	306154	. Handle	1	
14	304325	. Anchor	1	
15	304235	Spring	1	
16	306181	O-Ring	1	
17	306094	Seal	1	
18	306098	Cover	1	
19	303288	Screw	3	

Indented part names indicate that these parts are included in preceding assemblies.

ORDER ALL PARTS FROM YOUR JOHNSON SEA-HORSE DEALER



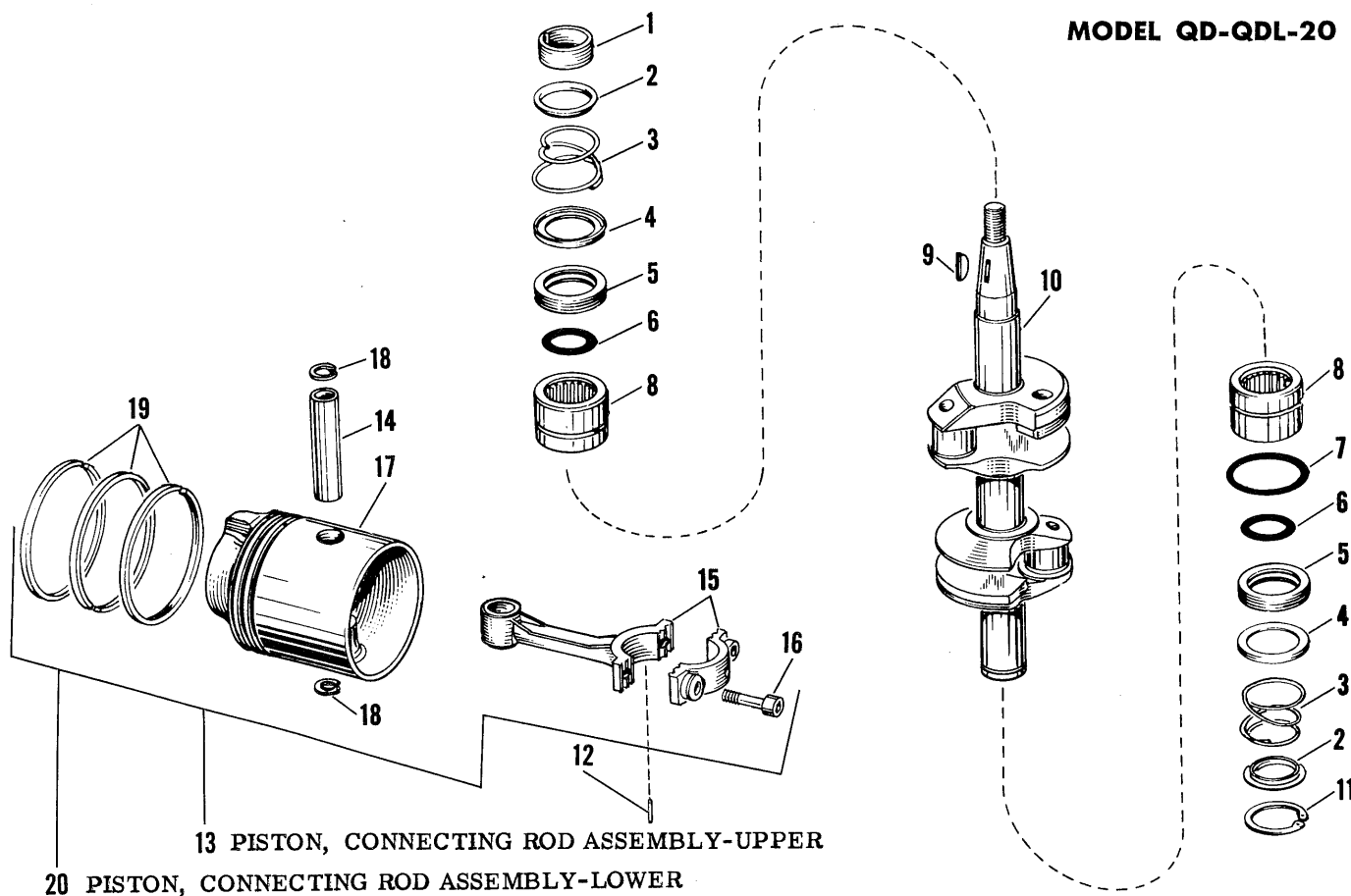
MODEL QD-QDL-20



ITEM NO.	PART NO.	NAME OF PART	QTY.	BIN NO.	ITEM NO.	PART NO.	NAME OF PART	QTY.	BIN NO.
1	580218	Flywheel & Cover Assy.	1		24A	580186	. High Tension Lead Assembly - Upper	1	
2	203751	. Screw	3		24	510239	. . High Tension Lead - Upper	1	
3	510293	. Screw-sems	1		25	510232	. . Rubber Cover	1	
4	510292	. Cover	1		26	510231	. . Spring Terminal	1	
5A	580254	Armature Plate Assembly Complete	1		27A	580146	High Tension Lead Assembly - Lower	1	
5	580283	. Armature Plate, Sleeve & Post Assy.	1		27	510210	. . High Tension Lead - Lower	1	
6	510191	. Screw	2		25	510232	. . Rubber Cover	1	
7	510397	. Screw	4		26	510231	. . Spring Terminal	1	
8	580118	. Coil & Lamination Assembly	2		28	510289	. Grommet	2	
9	302772	. Washer	2		29	510278	. Screw	1	
10	580148	. Breaker Assembly	2		30	580268	. Lead Assy. - Long	1	
11	510204	. . Clip	2		31	580269	. Lead Assy. - Short	1	
12	71-1052	. . Spring Clip	2		32	510388	. Clamp	1	
13	510278	. Screw	2		33	510193	. Screw - Sems	1	
14	510208	. Bow Washer	2		34	510371	. Clamp	1	
15	510173	. Condenser	2		35	376313	Link & Stop Assy.	1	
16	510193	. Screw	2		36	510193	Screw - Sems	1	
17	510194	. Screw	2		37	305988	Spring Clip	1	
18	510185	. Eccentric Screw	2		38	203277	Cam	1	
19	510192	. Screw	2		39	300154	Washer	2	
20	306311	. Lockwasher	2		40	304441	Screw	2	
21	510188	. Oiler Clip	1		41	301988	Nut - Crankshaft	1	
22	510189	. Oiler Wick	1						
23	120783	. Marker	1						

Indented part names indicate that these parts are included in preceding assemblies.

SPECIFY MODEL AND SERIAL NUMBER OF MOTOR WHEN ORDERING PARTS



13 PISTON, CONNECTING ROD ASSEMBLY-UPPER

20 PISTON, CONNECTING ROD ASSEMBLY-LOWER

ITEM NO.	PART NO.	NAME OF PART	QTY.	BIN NO.
1	510168	Cam	1	
2	301857	Retaining Washer	2	
3	301861	Spring	2	
4	301860	Retaining Washers	2	
5	302036	Seal	2	
6	301967	O-Ring	2	
7	302035	O-Ring	1	
8	302499	Needle Bearing Assembly	2	
9	120395	Key	1	
10	376107	Crankshaft	1	
11	301859	Retaining Ring	1	
12	27-148	Needle Bearing	58	
*13	377042	Piston, Connecting Rod - With Rings - Upper	1	
14	303711	. Wrist Pin	1	
15	377044	. Connecting Rod Assembly	1	
16	202967	. . Screw	2	
17	377031	. Piston, Dowel Pin & Retaining Rings	1	
18	303712	. . Lock Ring	2	
19	301787	. Piston Ring	3	
*20	377043	Piston, Connecting Rod - With Rings - Lower	1	
14	303711	. Wrist Pin	1	
15	377044	. Connecting Rod Assembly	1	
16	202967	. . Screw	2	
17	377031	. Piston, Dowel Pin & Retaining Rings	1	
18	303712	. . Lock Ring	2	
19	301787	. Piston Ring	3	

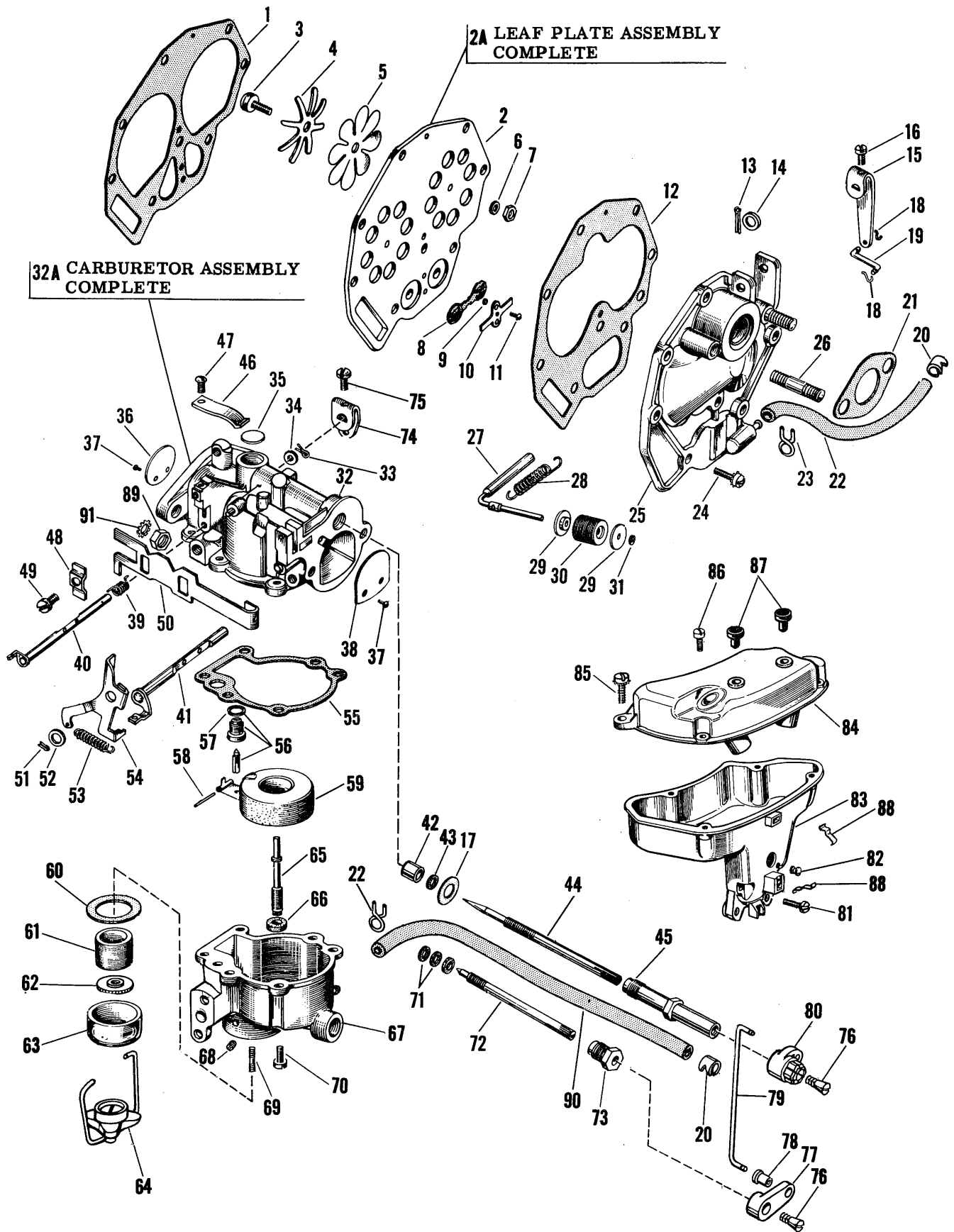
Indented part names indicate that these parts are included in preceding assemblies.

*Does not include Item 12 Part No. 27-148, Needle Bearings

ORDER ALL PARTS FROM YOUR JOHNSON SEA-HORSE DEALER



MODEL QD-QDL-20

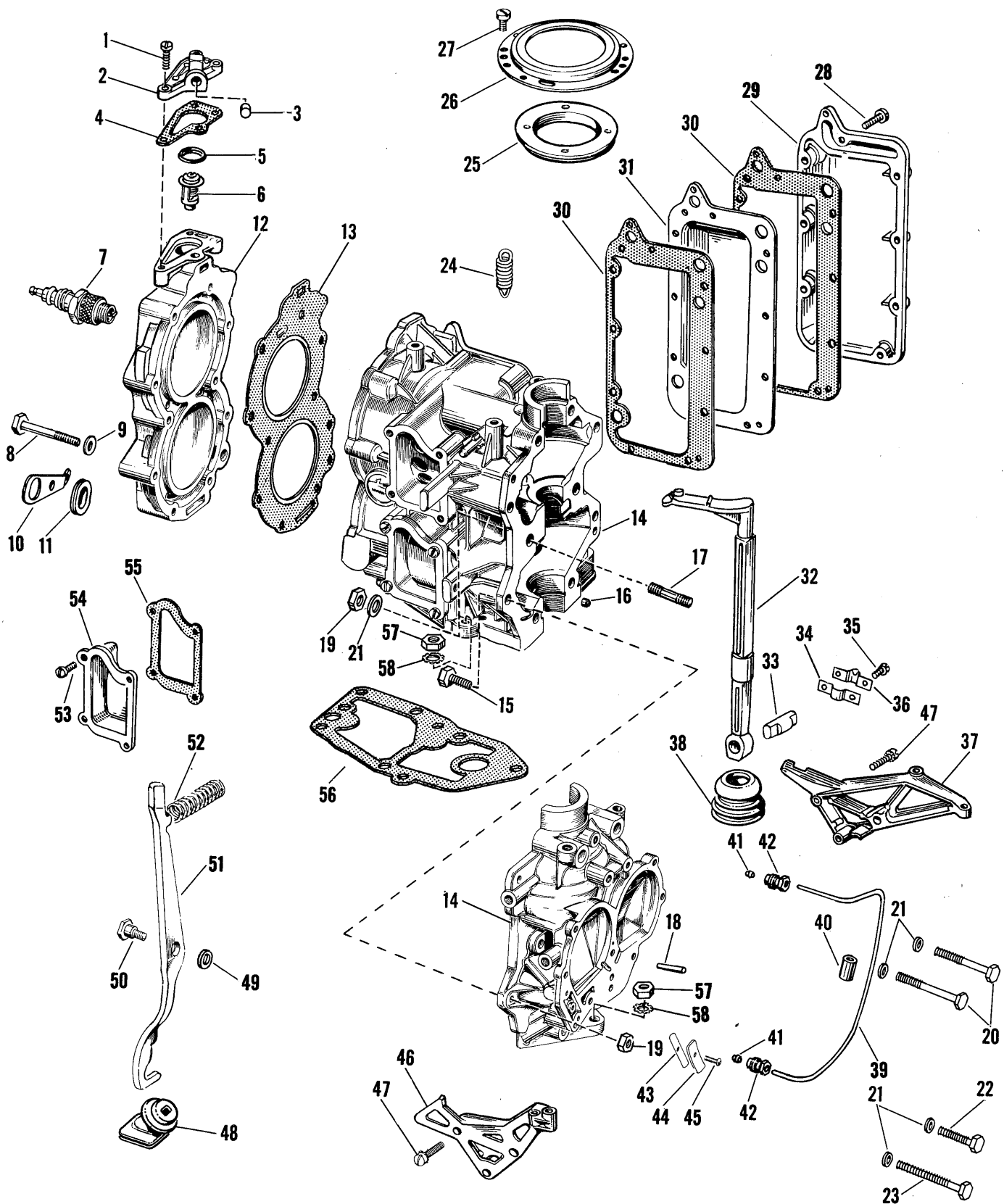


SPECIFY MODEL AND SERIAL NUMBER OF MOTOR WHEN ORDERING PARTS

ITEM NO.	PART NO.	NAME OF PART	QTY.	BIN NO.	ITEM NO.	PART NO.	NAME OF PART	QTY.	BIN NO.
1	303484	Gasket	1		45	303291	. . Nut - Slow Speed	1	
2A	376260	Leaf Plate Assembly	1		46	303132	. Spring	1	
2	303483	. Leaf Plate	1		47	302430	. Screw	1	
3	301858	. Screw	2		48	303117	. Bracket	1	
4	302047	. Leaf Stop	2		49	131249	. Screw	1	
5	301965	. Leaf	2		50	303143	. Choke Rod	1	
6	306546	. Lockwasher	2		51	306463	. Cotter Pin	1	
7	306556	. Nut	2		52	85-54	. Washer	1	
8	302042	. Check Valve	1		53	302747	. Spring	1	
9	302046	. Spacer	2		54	303144	. Bell Crank	1	
10	302048	. Spring	1		55	302994	. Gasket	1	
11	306402	. Screw	2		56	375985	. Float Valve, Seat & Gasket Assembly	1	
12	303486	Gasket	1						
13	306463	Cotter Pin	1		57	301996	. . Gasket	1	
14	303048	Washer	1		58	300096	. Hinge Pin	1	
15	376728	Arm & Screw Assembly	1		59	375919	. Float & Arm Assy.	1	
16	304572	. Screw	1		60	303122	. Gasket	1	
17	203355	Washer	1		61	303133	. Filter	1	
18	41-110	Pin	2		62	304539	. Nut	1	
19	303539	Link	1		63	303121	. Filter Bowl	1	
20	301822	Clamp	2		64	377607	. Thumb Nut, Screw & Yoke Assembly	1	
21	303531	Gasket	1						
22	302657	Hose - Air	1		65	303618	. Nozzle	1	
23	302647	Clamp	2		66	302984	. Gasket	1	
24	304606	Screw	8		67	376681	. Float Chamber & Nipple Assembly	1	
25	376114	Manifold, Nipple & Stud Assembly	1		68	303041	. Screw	1	
26	302822	. Stud	2		69	304518	. Stud	1	
27	303541	Cam Follower	1		70	306552	. Screw	5	
28	203276	Spring	1		71	43-123	. Packing - High Speed	3	
29	303279	Bushing	2		72	306142	. Needle Valve - High Speed	1	
30	203362	Roller	1						
31	203363	Retainer	1		73	300179	. Nut - High Speed	1	
32A	377606	Carburetor Assembly Complete	1		74	376724	. Arm & Screw Assy.	1	
32	377830	. Carburetor Body, Plug & Throttle Valve Assy.	1		75	304572	. . Screw	1	
33	303049	. . Cotter Pin	1		76	551517	Screw	2	
34	303048	. . Washer	1		77	305440	Lever	1	
35	202310	. . Expansion Plug	1		78	306180	Bushing	1	
36	303495	. . Throttle Valve	1		79	306186	Link	1	
37	303760	. . Screw	4		80	306076	Bell Crank	1	
38	303126	. . Choke Valve	1		81	304889	Screw	2	
39	303765	. . Spring	1		82	203652	Button Plug	1	
40	376153	. . Throttle Shaft & Lever Assembly	1		83	306140	Air Silencer - Lower	1	
41	375993	. . Choke Shaft & Lever Assembly	1		84	377604	Air Silencer & Loading Tube - Upper	1	
42	303947	. . Bushing	1		85	304607	Screw	2	
43	43-123	. . Packing - Slow Speed	1		86	306431	Screw	4	
44	303946	. . Needle Valve - Slow Speed	1		87	304896	Bumper	2	
					88	306103	Spring	2	
					89	306320	Nut	2	
					90	203286	Hose - Fuel	1	
					91	306799	Lockwasher	2	

Indented part names indicate that these parts are included in preceding assemblies.

ORDER ALL PARTS FROM YOUR JOHNSON SEA-HORSE DEALER



SPECIFY MODEL AND SERIAL NUMBER OF MOTOR WHEN ORDERING PARTS



ITEM NO.	PART NO.	NAME OF PART	QTY.	BIN NO.	ITEM NO.	PART NO.	NAME OF PART	QTY.	BIN NO.
1	300258	Screw	3		27	304442	Screw	4	
2	377615	Thermostat Cap & Core Plug Assembly	1		28	132346	Screw	9	
3	306442	. Core Plug	1		29	306170	Cover	1	
4	306173	Gasket	1		30	306171	Gasket	2	
5	306162	Seal	1		31	306169	Cover - Inner	1	
6	377612	Thermostat	1		32	305517	Lever	1	
*7	200322	Sparkplug (Champion J6JM)	2		33	304155	Pin	1	
*7	376290	Sparkplug (Auto-Lite A3X)	2		34	303109	Bearing Clamp	1	
*7	377245	Sparkplug (AC M44C)	2		35	303737	Screw	2	
8	302009	Screw	10		36	305609	Bearing Clamp - Outer	1	
9	300399	Washer	9		37	306156	Bracket - Port	1	
10	304763	Anchor	1		38	306119	Grommet	1	
11	300454	Grommet	1		39	376291	Oil Line Assembly	1	
12	306159	Cylinder Head	1		40	302811	. Spacer	1	
13	306174	Gasket	1		41	306329	. Gland	2	
14	377646	Cylinder & Crankcase Assembly	1		42	41-105	. Packing Nut	2	
15	306487	. Screw	4		43	203235	Leaf Valve	1	
16	302037	. Dowel	2		44	203248	Plate	1	
17	21-170	. Stud	2		45	306402	Screw	1	
18	300402	. Taper Pin	2		46	306157	Bracket - Starboard	1	
19	306320	. Nut	2		47	307152	Screw	4	
20	300355	. Screw	2		48	306222	Grommet	1	
21	306453	. Washer	6		49	304051	Washer	1	
22	306424	. Screw	1		50	302592	Screw	1	
23	306435	. Screw	1		51	303921	Shifter Lock	1	
24	302827	Spring	1		52	302587	Spring	1	
25	303277	Retaining Ring	1		53	304890	Screw	8	
26	303278	Support	1		54	301848	Cover	2	
					55	301847	Gasket	2	
					56	306247	Gasket	1	
					57	306320	Nut	3	
					58	306799	Lockwasher	3	

Indented part names indicate that these parts are included in preceding assemblies.

*We recommend either Champion, Auto-Lite or AC Spark Plugs

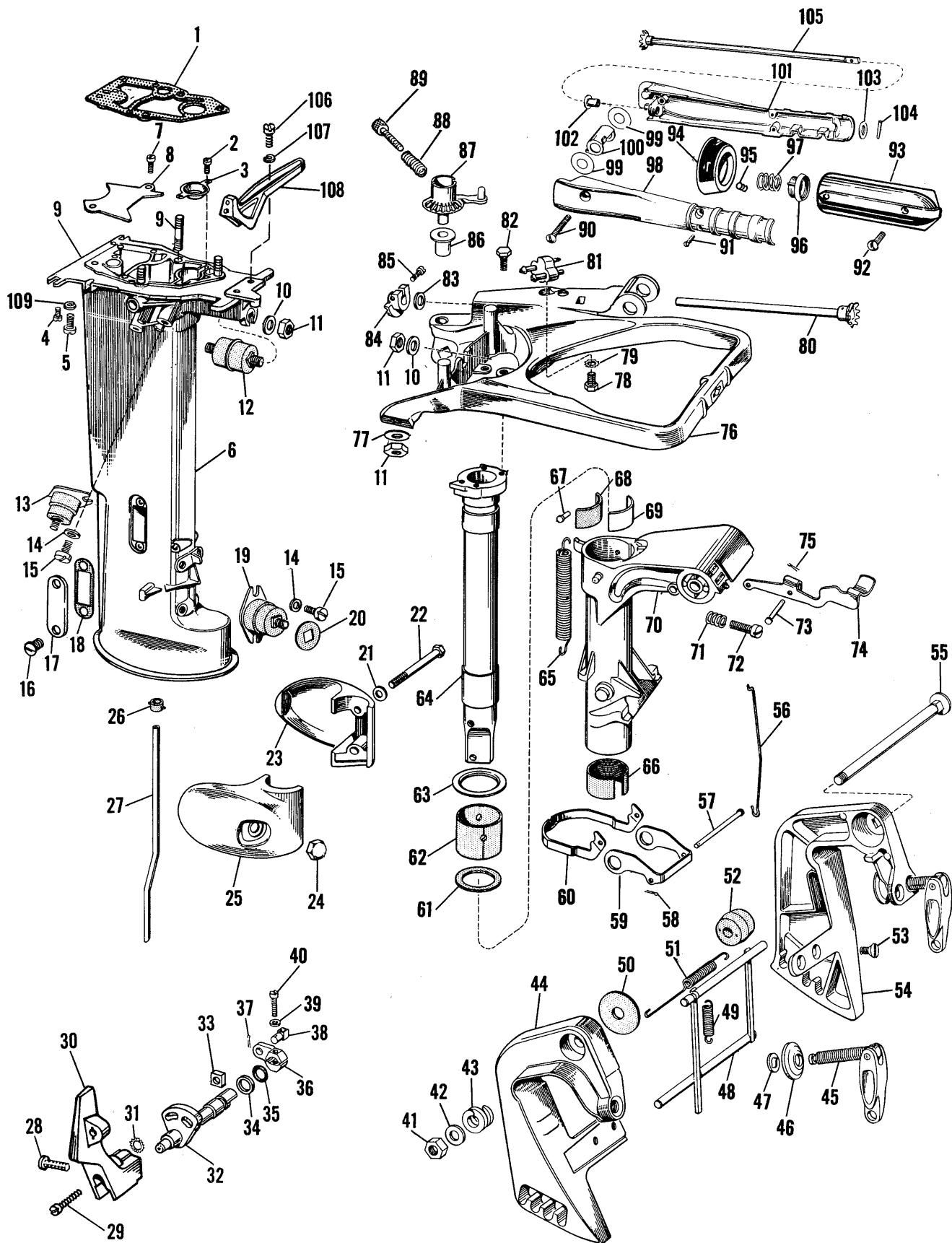
NOTE

Power Head Gasket Set (less Cyl. Head Gasket)
Available Part No. 377827

LOWER UNIT GROUP

MODEL QD-QDL-20

JOHNSON 1959



SPECIFY MODEL AND SERIAL NUMBER OF MOTOR WHEN ORDERING PARTS

ITEM NO.	PART NO.	NAME OF PART	QTY.	BIN NO.	ITEM NO.	PART NO.	NAME OF PART	QTY.	BIN NO.
1	305324	Gasket 306247	1		56	303978	Link	1	
2	304904	Screw	2		57	303949	Rod	1	
3	305297	Baffle Plate	1		58	306376	Cotter Pin	1	
4	304012	Screw	6		59	303950	Link	1	
5	307153	Screw	7		60	303948	Locking Lever	1	
6	377790	Exhaust Housing, Stud & Cover Assembly	1		61	304289	Thrust Washer	1	
7	303393	. Screw	2		62	303370	Liner - Upper	1	
8	305323	. Cover Plate	1		63	304290	Thrust Washer	1	
9	304517	. Stud	3		64	304293	Pilot Shaft	1	
10	303884	Washer	2		65	304282	Spring	1	
11	303889	Nut	4		66	303371	Shock Absorber	1	
12	305310	Rubber Mount - Upper - Front	1		67	303696	Pin	1	
13	303879	Rubber Mount - Upper - Side	2		68	303697	Spacer	1	
14	303887	Washer	8		69	303363	Plate	1	
15	305295	Screw	4		70	304291	Swivel Bracket	1	
16	302509	Screw	2		71	551113	Spring	1	
17	305298	Cover Plate	1		72	132679	Screw	1	
18	305299	Gasket	1		73	303930	Pivot Shaft	1	
19	305309	Rubber Mount - Lower - Front	1		74	304279	Arm	1	
20	304168	Gasket	2		75	303049	Cotter Pin	1	
21	39-17	Washer	2		76	377277	Steering Bracket & Bushing Assembly	1	
22	304299	Screw	2		77	304376	Washer	2	
23	305554	Housing - Port	1		78	306419	Screw	1	
24	303890	Acorn Nut	2		79	306488	Lockwasher	1	
25	305555	Housing - Starboard	1		80	376689	Gear & Shaft Assy. - Short	1	
26	302497	Grommet	1		81	375788	Fuel Connector Assy.	1	
27	305325	Water Tube	1		82	304027	Screw	4	
28	300258	Screw	1		83	303107	Washer	1	
29	130618	Screw	1		84	303142	Pinion	1	
30	377586	Shift Lever Assembly	1		85	306543	Screw	1	
31	303480	Lockwasher	1		86	303140	Bushing	1	
32	377587	Adjusting Shaft & Lever	1		87	305562	Gear	1	
33	303189	Nut	1		88	553368	Spring	1	
34	303775	Washer	1		89	304573	Screw	1	
35	303191	O-Ring	1		90	303078	Screw	1	
36	377188	Lever Assembly	1		91	133452	Screw	2	
37	306376	Cotter Pin	1		92	305001	Screw	1	
38	303702	Connector	1		93	306059	Grip	1	
39	303715	Washer	1		94	377574	Indicator & Decal Assy.	1	
40	303714	Screw	1		95	306120	Set Screw	1	
41	306386	Nut	1		96	303282	Friction Block	1	
42	306433	Washer	1		97	301656	Spring	1	
43	302051	Spring	1		98	303093	Steering Handle - Inner	1	
44	376493	Stern Bracket Assy. - Starboard	1		99	303079	Washer	2	
45	375744	. Clamp Screw Assy.	1		100	303096	Cover	1	
46	41-48	. . Swivel Plate	1		101	376042	Steering Handle & Bushing - Outer	1	
47	302420	. . Retainer	1		102	305100	Bushing	1	
48	376505	Tilting Lever Assembly	1		103	303252	Washer	1	
49	202021	Spring	1		104	300346	Pin	1	
50	304278	Washer	1		105	376691	Gear & Shaft Assy. - Long	1	
51	304283	Spring	1		106	306487	Screw	2	
52	301983	Conical Washer	1		107	306488	Lockwasher	2	
53	303396	Screw	2		108	306155	Bracket	1	
54	376494	Stern Bracket Assy. - Port	1		109	302376	Lockwasher	5	
45	375744	. Clamp Screw Assembly	1		MODEL QDL-20 PARTS THAT DIFFER FROM QD-20				
46	41-48	. . Swivel Plate	1						
47	302420	. . Retainer	1						
55	304277	Tilt Bolt	1		27	305390	Water Tube (QDL)	1	

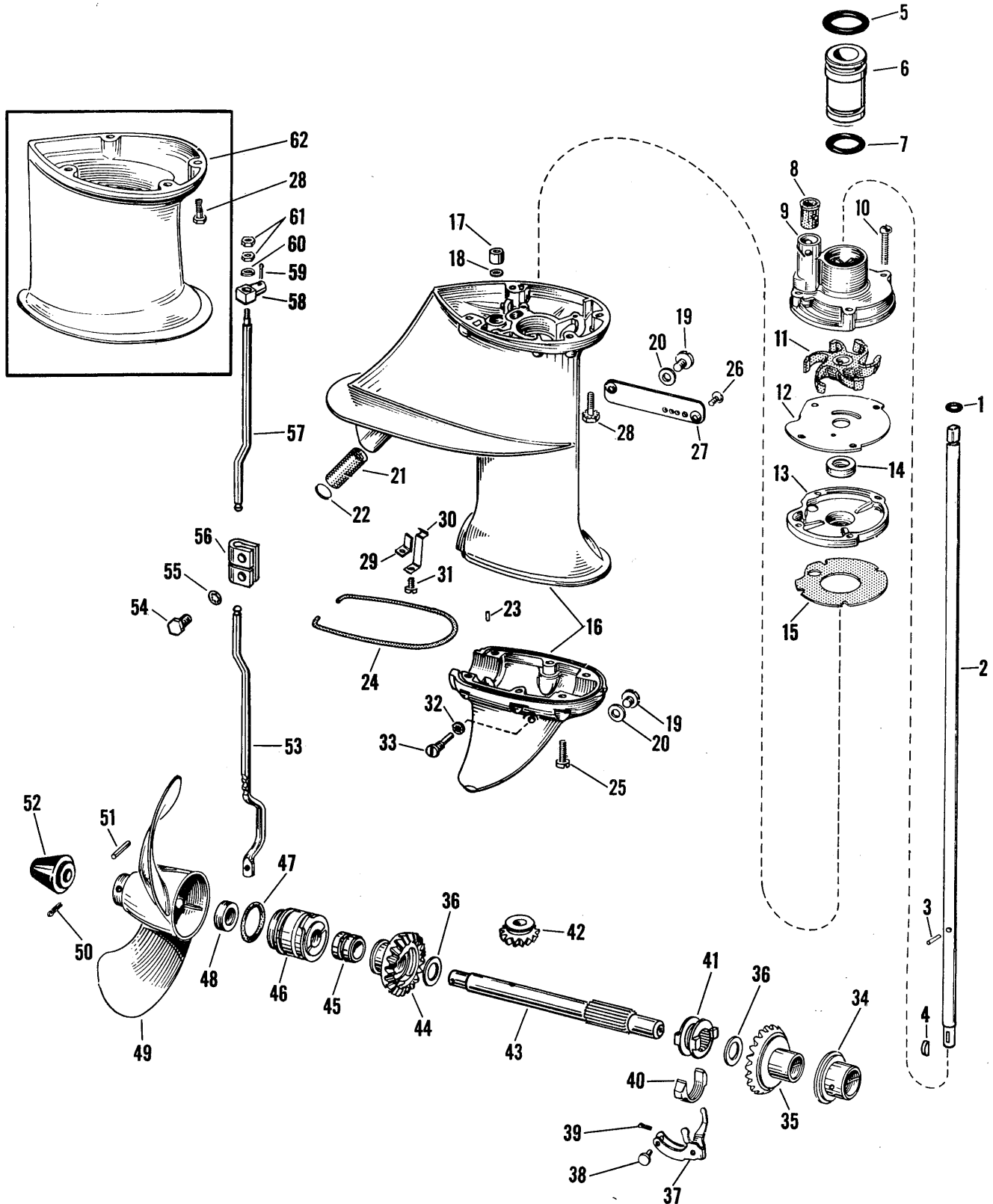
Indented part names indicate that these parts are included in preceding assemblies.

See Page 13 for Additional Parts.

NOTE

Part No. 377467 Extension Kit
for Conversion to QDL-20.

ORDER ALL PARTS FROM YOUR JOHNSON SEA-HORSE DEALER



SPECIFY MODEL AND SERIAL NUMBER OF MOTOR WHEN ORDERING PARTS

ITEM NO.	PART NO.	NAME OF PART	QTY.	BIN NO.	ITEM NO.	PART NO.	NAME OF PART	QTY.	BIN NO.
1	303067	O-Ring	1		36	303361	Thrust Washer	2	
2	305318	Driveshaft	1		37	303340	Lever	1	
3	300771	Pin	1		38	302504	Pin	1	
4	305720	Key	1		39	306376	Cotter Pin	1	
5	301967	O-Ring - Top	1		40	303381	Cradle	1	
6	305304	Spacer	1		41	377458	Shift Clutch Dog Assembly	1	
7	302035	O-Ring - Bottom	1		42	304009	Pinion Gear	1	
8	302497	Grommet	1		43	305261	Propeller Shaft	1	
9	305302	Impeller Housing	1		44	305216	Gear - Rear Reversing	1	
10	303395	Screw	4		45	303998	Bushing - Rear Reversing	1	
11	377178	Impeller Assembly	1		46	377187	Gearcase Head & Bearing Assembly	1	
12	305303	Plate	1		47	303360	O-Ring	1	
13	377186	Bearing Housing & Bearing Assembly	1		48	303345	Seal	1	
14	303345	Seal	1		49	277759	Propeller	1	
15	303339	Gasket	1		50	305296	Cotter Pin	1	
16	376775	Gearcase, Bushing & Pin Assembly	1		51	302333 203663	Drive Pin	1	
17	303332	. Bushing	1		52	305394	Nut	1	
18	301877	. O-Ring	1		53	305319	Shift Rod - Lower	1	
19	27-283	. Screw	2		54	304024	Screw	2	
20	27-284	. Gasket	2		55	303551	Lockwasher	2	
21	303331	. Screen	1		56	303794	Connector	1	
22	300314	. Plug	1		57	305321	Shift Rod - Upper	1	
23	300611	. Dowel Pin	1		58	303702	Connector	1	
24	303328	. Seal	1		59	306376	Cotter Pin	1	
25	304071	. Screw	6		60	303701	Lockwasher	1	
26	302681	Screw	2		61	306556	Nut	2	
27	304579	Cover	1						
28	307151	Screw	4						
29	303700	Spring	1						
30	303466	Spring	1						
31	306479	Screw	1						
32	304083	Washer	1		2	305368	Driveshaft (QDL)	1	
33	303358	Pivot Pin	1		6	305552	Spacer (QDL)	1	
34	303380	Bearing - Front	1		28	302325 307151	Screw	4	
35	377152	Gear & Bushing Assy. - Front	1		53	305408	Shift Rod (QDL) - Lower	1	
					62	303672	Gearcase Extension (QDL)	1	

MODEL QDL-20 PARTS THAT DIFFER FROM MODEL QD-20

Indented part names indicate that these parts are included in preceding assemblies.

NOTE
Part No. 377467 Extension Kit for Conversion to QDL-20

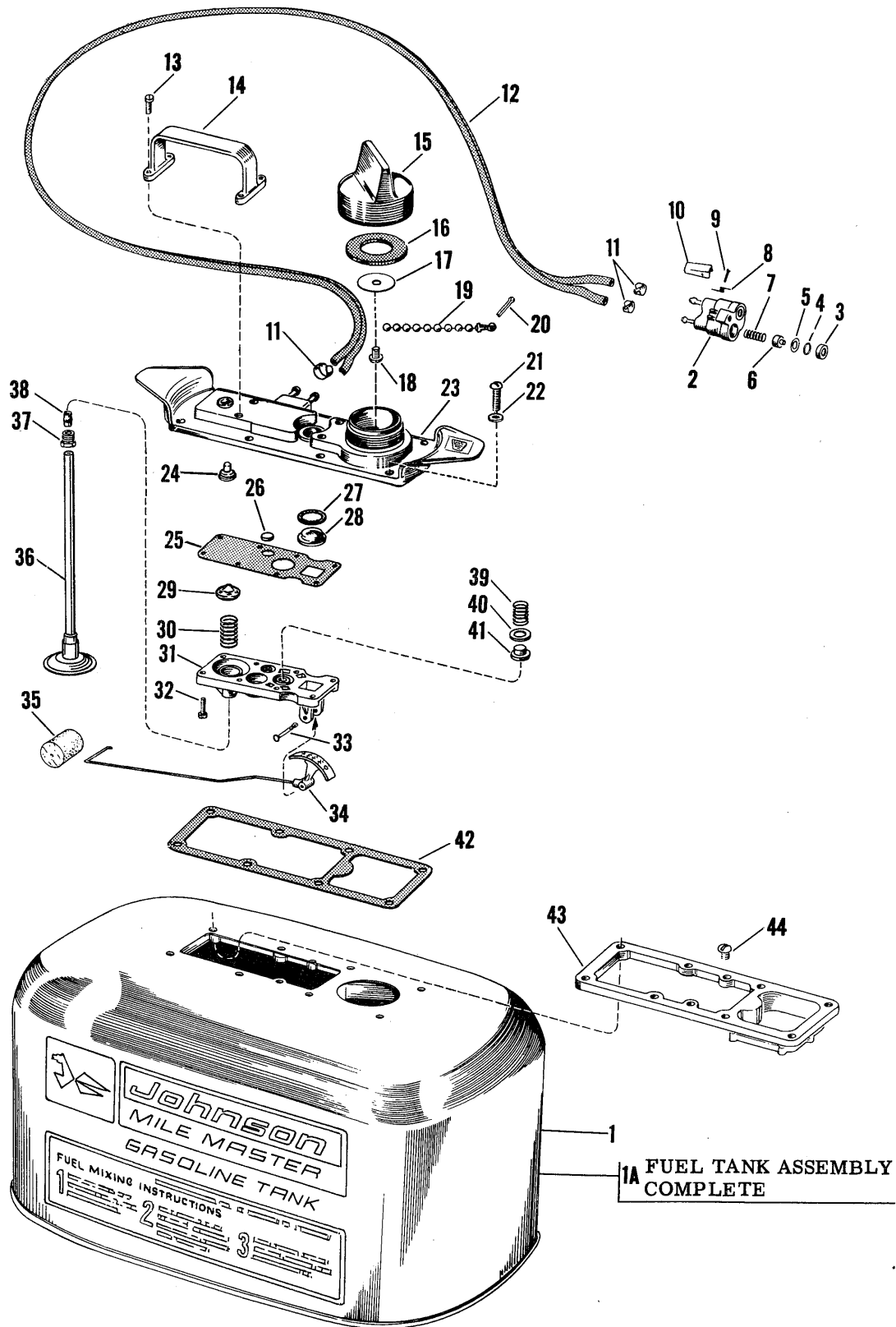
See Page 11 for additional Model QDL-20 parts.

ORDER ALL PARTS FROM YOUR JOHNSON SEA-HORSE DEALER

FUEL TANK GROUP

MODEL QD-QDL-20

JOHNSON 1959



1A FUEL TANK ASSEMBLY COMPLETE

SPECIFY MODEL AND SERIAL NUMBER OF MOTOR WHEN ORDERING PARTS



ITEM NO.	PART NO.	NAME OF PART	QTY.	BIN NO.
1A	377331	Fuel Tank Assembly Complete	1	
1	375774	. Fuel Tank (Only)	1	
2	375587	. Fuel Connector Assembly	1	
3	301828	. . Retainer	2	
4	301824	. . O-Ring	2	
5	301827	. . Washer	2	
6	301826	. . Valve	2	
7	301825	. . Spring	2	
8	301829	. . Spring	1	
9	301832	. . Rivet	1	
10	301830	. . Lock	1	
11	301822	. Clamp	4	
12	301821	. Hose	1	
13	306357	. Screw	4	
14	302570	. Handle	1	
15	375817	. Filler Cap Assembly	1	
16	301835	. . Gasket	1	
17	302560	. . Plate	1	
18	301837	. . Screw	1	
19	301838	. . Chain	1	
20	306372	. . Cotter Pin	1	
21	304137	. Screw	8	
22	301814	. Gasket	8	
23	376986	. Housing Upper	1	
24	305713	. Push Button	1	
25	305715	. Diaphragm	1	
26	301802	. Disc Valve	1	
27	302571	. Seal	1	
28	302568	. Glass	1	
29	305714	. Support Plate	1	
30	301803	. Spring	1	
31	302555	. Housing	1	
32	306357	. Screw	8	
33	305821	. Pin	1	
34	375778	. Indicator Assembly	1	
35	302559	. Float	1	
36	375846	. Foot Valve Assembly	1	
37	132691	. . Nut	1	
38	306344	. . Gland	1	
39	302135	. Spring	1	
40	302137	. Washer	1	
41	302136	. Valve	1	
42	302557	. Gasket	1	
43	305356	. Support	1	
44	306492	. Screw	2	

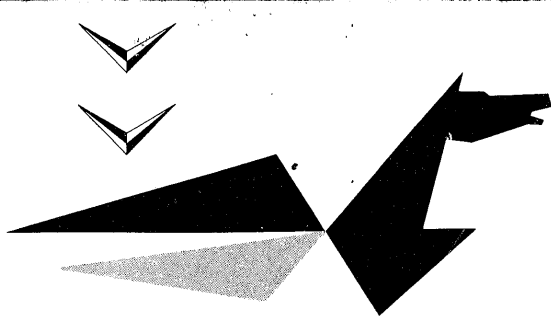
Indented part names indicate that these parts are included in preceding assemblies.

NOTE

Mile Master Tank Gasket Set
Part No. 376455

Mile Master Decal Set
Part No. 377840

ORDER ALL PARTS FROM YOUR JOHNSON SEA-HORSE DEALER



WARRANTY

We warrant each new outboard motor of our manufacture to be free from defects in material and workmanship under normal use and service, our obligation under this warranty being limited to making good at the factory any part or parts thereof which shall, within three months after initial use, or within one year from date of original purchase, whichever first occurs, be returned to us with transportation charges prepaid, and which our examination shall disclose to our satisfaction to have been thus defective; this warranty being expressly in lieu of all other warranties and representations expressed or implied and of all other liabilities in connection with the sale or use of any motors.

This warranty shall not apply to any motor which shall have been repaired or altered outside the factory in any way so as to affect its stability, nor which has been subject to misuse, negligence or accident, or operated for racing purposes or operated in any other way than in accordance with our operating instructions. Nor does the warranty extend to repairs made necessary, by the use of inferior parts or accessories, or by the use of types of accessories not recommended by Johnson Motors.

We make no warranty in respect to trade accessories not of our manufacture, inasmuch as they are usually warranted separately by their respective manufacturers.

To make a claim under this warranty, contact the authorized Johnson dealer from whom motor was originally purchased or the nearest authorized Johnson dealer. Motors or parts thereof shipping to the factory for our inspection must show model and serial numbers, and must be shipped transportation charges prepaid.

JOHNSON MOTORS - WAUKEGAN, ILL., U.S.A.

PART No. 377,806