

1956 COMPLETE PARTS CATALOG

PARTS LIST

EVINRUDE LIGHTWIN-DUCKTWIN 3

MODELS 3018, 3019 AND 3020

INSTRUCTIONS ON HOW TO ORDER

For their convenience, as well as ours, we ask our customers to carefully follow our instructions in ordering parts.

We also request that owners order their parts from our dealer or nearest service station or distributor.

ORDER BY PART NUMBER GIVING NAME OF PART ALSO.

ALWAYS GIVE THE SERIAL NUMBER OF THE MOTOR FOR WHICH PART OR PARTS ARE REQUIRED.

This is very important, and is necessary to intelligently fill your order. If you cannot give the number of the motor, state when and from whom the motor was purchased.

TELEGRAMS AND HOW TO USE "EVINRUDE CODE."

Telegram rates are based on fifteen words or less, for immediate delivery. Day letter or night letter rates are considerably cheaper. Detailed information may be found on rear of any telegram blank.

Use the following code only on messages of more than fifteen words. Each five code letters are charged

for as a word. English words and code words may be used in the same message, but code letters cannot be combined with English words.

A - 1	G - 7	L - Air Parcel Post
B - 2	H - 8	M - Freight - Truck
C - 3	I - 9	V - Air Express
D - 4	J - 0	X - Express
E - 5	K - Each	Y - Parcel Post
F - 6	P - Number	Z - Freight - Railway

Following is an example of a telegram not coded and the same reduced to code:

(NOT CODED - 22 WORDS.)

Parcel Post Two Number One Three Naught Naught Four Four Propeller Nut Twelve Number One Three Naught Naught Five Three Shear Pins.

(CODED - 8 WORDS.)

YBPAC JJDD Propeller Nut ABPAC JJEC Shear Pins.

Do not use this code in cable messages

ROUTING • TERMS • RETURNS

SHIPPING INSTRUCTIONS.

Unless specific instructions accompany the order we will use our own judgement on how to ship.

TERMS: CASH WITH ORDER OR C.O.D.

In ordering parts, to avoid C.O.D. shipments and extra charges, all orders should be accompanied by cash. Save time and money by remitting sufficient cash to cover cost of parts and Transportation Charges. Stamps are accepted in payment of all orders not over \$1.00. The right to hold all

orders unaccompanied by cash is reserved by Evinrude Motors, Milwaukee.

A minimum charge of \$0.50 net will be made on all orders amounting to less than this amount. We reserve the right to furnish additional parts to make up the difference.

INSTRUCTIONS ON RETURNING PARTS.

Parts can only be returned in accordance with terms outlined under the Service Policy laid down in the instruction manual.

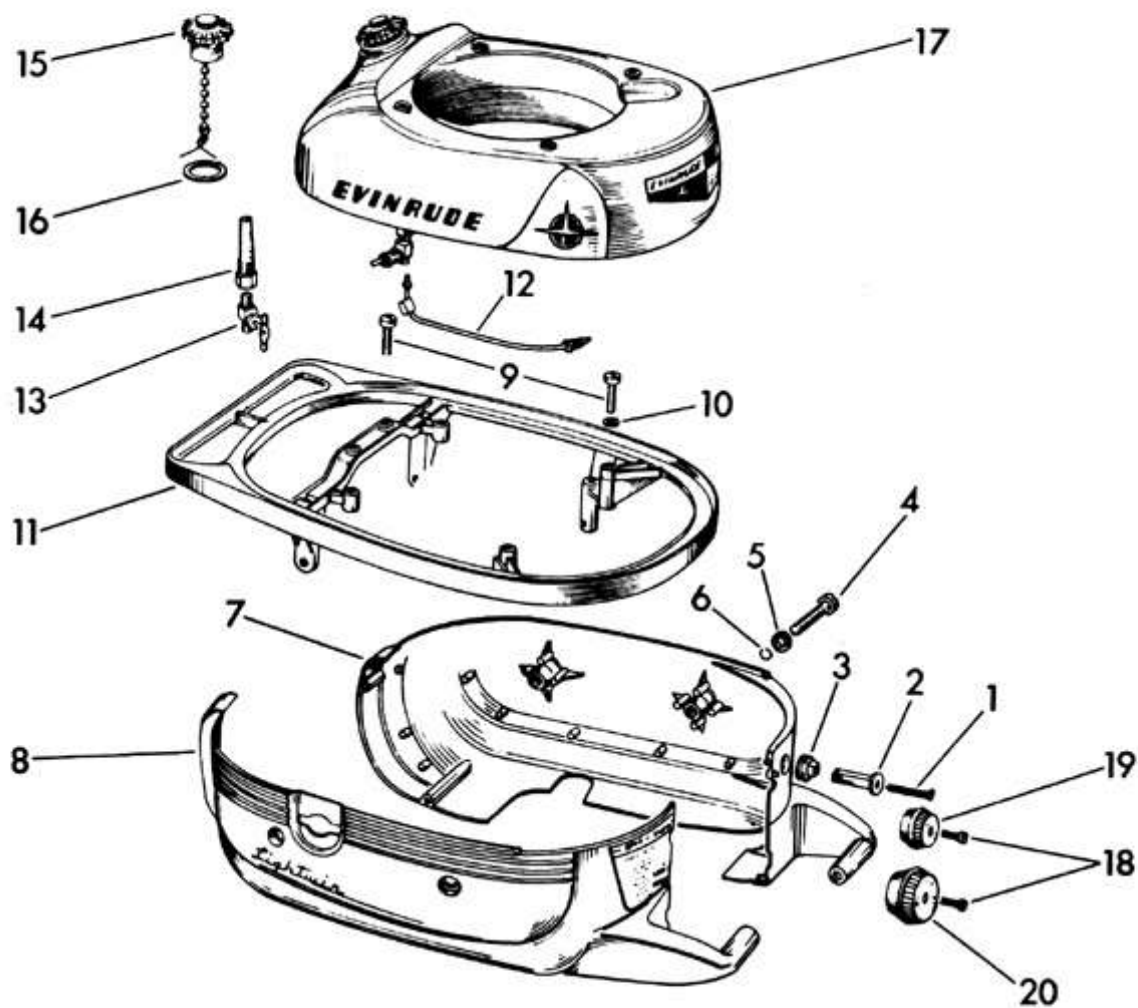
ALL PRICES SUBJECT TO CHANGE WITHOUT NOTICE

EVINRUDE MOTORS, Milwaukee, Wis., U.S.A.

CABLE ADDRESS "EVINRUDE"

SECOND EDITION

LIGHTWIN -DUCKTWIN FUEL TANK - MOTOR COVERS

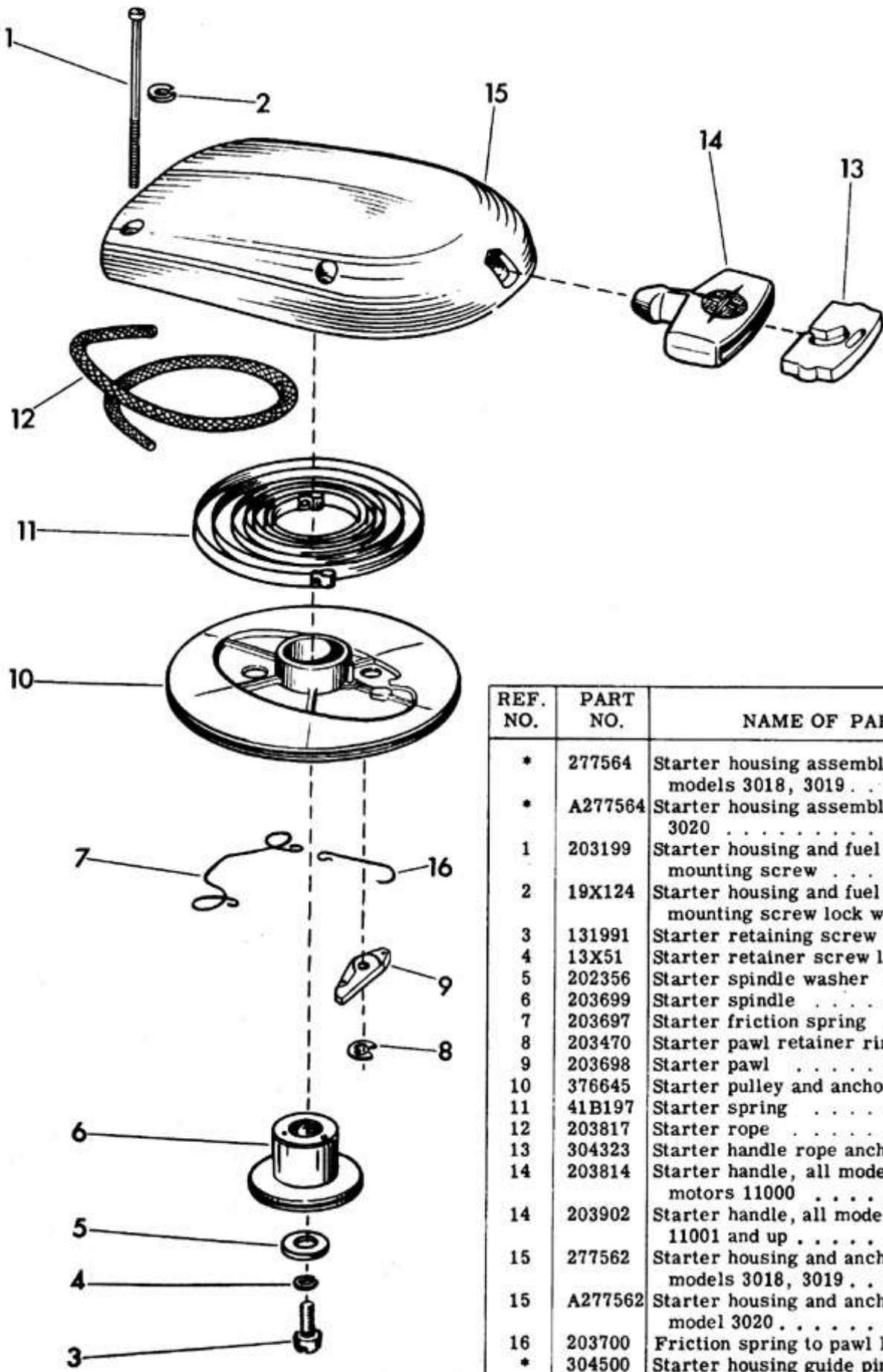


REF. NO.	PART NO.	NAME OF PART	QTY.	REF. NO.	PART NO.	NAME OF PART	QTY.
1	303060	Choke knob screw	1	11	203642	Fuel tank mounting plate, model 3020	1
2	203841	Choke knob, models 3018, 3019	1	12	277213	Fuel pipe assembly	1
2	203189	Choke knob, model 3020	1	13	277183	Fuel tank shut-off valve	1
3	203361	Cover to choke knob grommet	1	14	277187	Fuel tank connector and filter assembly	1
4	203202	Motor cover mounting screw	4	15	375514	Filler cap assembly	1
5	19X124	Motor cover mounting screw lock washer	4	16	5A48	Filler cap gasket	1
6	121019	Motor cover mounting screw lock ring	4	17	277423	Fuel tank assembly, models 3018, 3019	1
7	277492	Motor cover assembly, port, models 3018, 3019	1	17	277359	Fuel tank assembly, model 3020	1
7	277360	Motor cover assembly, port, model 3020	1	18	551517	Control knob screw	2
8	277493	Motor cover assembly, starboard, models 3018, 3019	1	19	203842	Low speed knob, models 3018, 3019	1
8	277361	Motor cover assembly, starboard, model 3020	1	19	203294	Low speed knob, model 3020	1
9	21X167	Fuel tank mounting plate screw	4	20	277470	High speed knob, models 3018, 3019	1
10	19X124	Fuel tank mounting plate screw lock washer, front	2	20	277230	High speed knob, model 3020	1
11	203196	Fuel tank mounting plate, models 3018, 3019	1	*		Set of decals, models 3018, 3019	1
				*		Set of decals, model 3020	1

*Not Shown

ORDER YOUR PARTS FROM YOUR DISTRICT SERVICE STATION

LIGHTWIN -DUCKTWIN STARTER

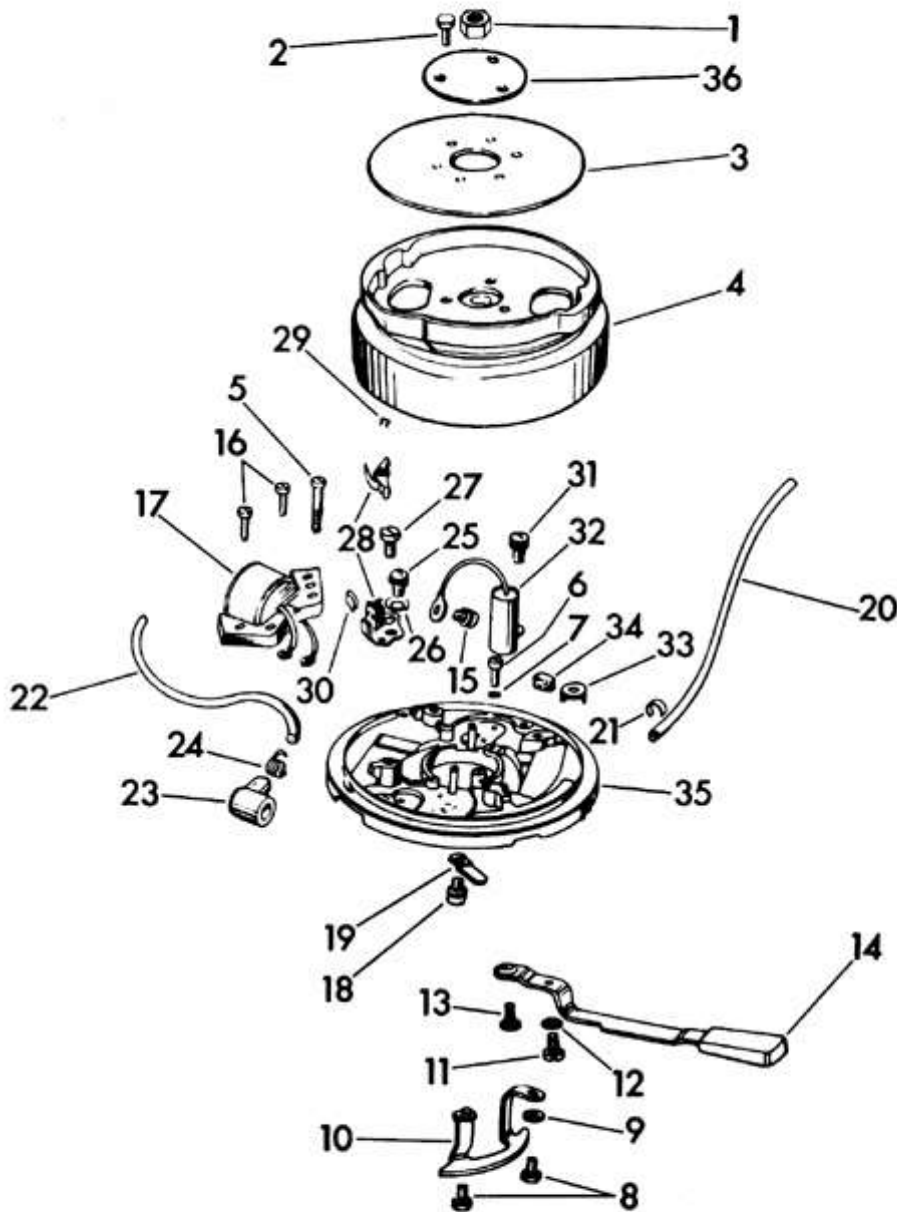


REF. NO.	PART NO.	NAME OF PART	QTY.
*	277564	Starter housing assembly, models 3018, 3019	1
*	A277564	Starter housing assembly, model 3020	1
1	203199	Starter housing and fuel tank mounting screw	4
2	19X124	Starter housing and fuel tank mounting screw lock washer	4
3	131991	Starter retaining screw	1
4	13X51	Starter retainer screw lock washer	1
5	202356	Starter spindle washer	1
6	203699	Starter spindle	1
7	203697	Starter friction spring	1
8	203470	Starter pawl retainer ring	1
9	203698	Starter pawl	1
10	376645	Starter pulley and anchor	1
11	41B197	Starter spring	1
12	203817	Starter rope	1
13	304323	Starter handle rope anchor	1
14	203814	Starter handle, all models to motors 11000	1
14	203902	Starter handle, all models, motors 11001 and up	1
15	277562	Starter housing and anchor, models 3018, 3019	1
15	A277562	Starter housing and anchor, model 3020	1
16	203700	Friction spring to pawl link	2
*	304500	Starter housing guide pin, all models, motors 11001 and up	2

*Not Shown

ORDER YOUR PARTS FROM YOUR DISTRICT SERVICE STATION

LIGHTWIN -DUCKTWIN ARMATURE PLATE - FLYWHEEL

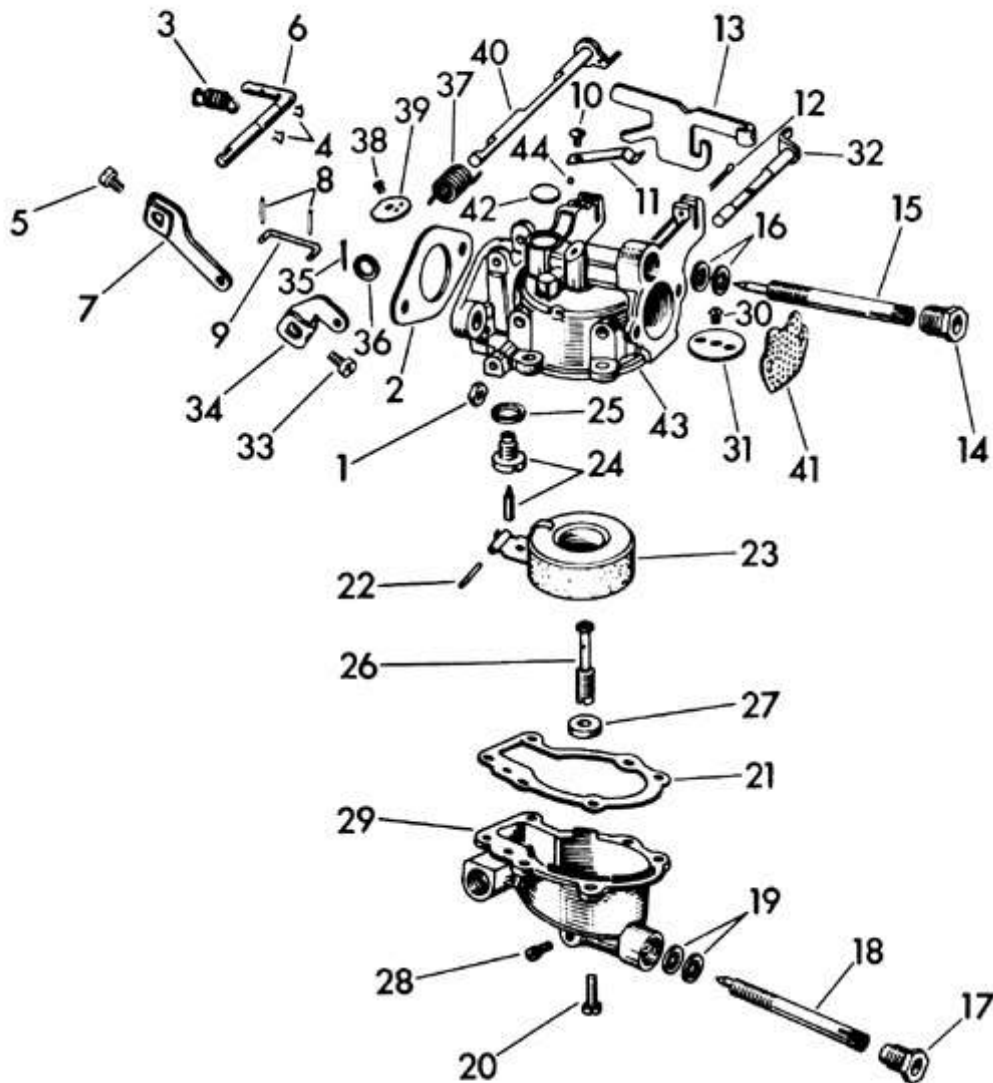


REF. NO.	PART NO.	NAME OF PART	QTY.	REF. NO.	PART NO.	NAME OF PART	QTY.
1	130743	Crankshaft nut	1	*	580134	H. T. lead assembly, upper	1
2	304512	Inspection hole cover and plate screw	3	*	580135	H. T. lead assembly, lower	1
3	203703	Inspection hole cover	1	20	510202	H. T. lead, upper	1
4	580188	Flywheel assembly	1	21	120783	Marker	1
5	510191	Armature plate mounting screw .	2	22	510203	H. T. lead, lower	1
6	510192	Armature plate mounting screw .	2	23	510232	Spark plug rubber cover	2
7	3X28	Lock washer	2	24	510231	Spark plug lead spring terminal .	2
8	302750	Armature plate to cam screw . .	2	25	510278	Breaker mounting screw	2
9	300154	Armature plate to cam screw washer	1	26	510208	Bow washer	2
10	203147	Throttle control cam	1	27	510185	Breaker eccentric screw	2
11	43X147	Armature plate to handle screw .	1	28	580148	Breaker assembly	2
12	3X28	Armature plate to handle washer .	1	29	71A1052	Spring clip	2
13	202924	Armature plate to handle screw . .	1	30	510204	Breaker spring clip	2
14	277164	Armature plate handle assembly .	1	31	510193	Condenser mounting screw	2
*	580120	Armature base assembly	1	32	510173	Condenser	2
15	510194	Breaker terminal screw	2	33	510188	Oiler clip	1
16	510195	Lamination mounting screw	4	34	510189	Oiler wick	1
17	580118	Coil and lamination assembly . .	2	35	580121	Armature plate and post assembly	1
18	510193	H. T. lead clamp mounting screw .	2	36	304513	Inspection hole cover plate	1
19	510190	High tension lead clamp	2	*	43A128	Feeler gauge	1

*Not Shown

ORDER YOUR PARTS FROM YOUR DISTRICT SERVICE STATION

LIGHTWIN - DUCKTWIN CARBURETOR ASSEMBLY

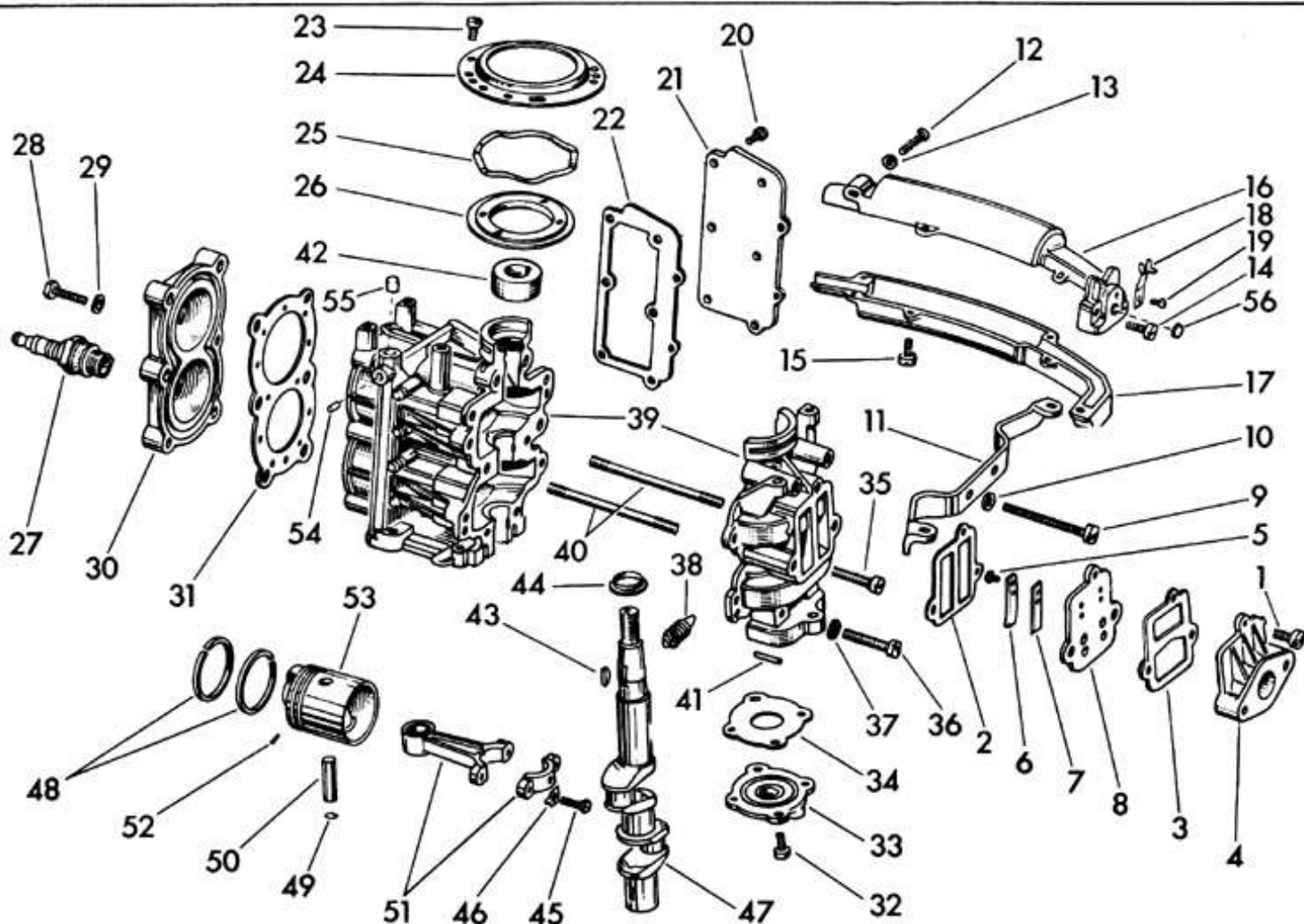


REF. NO.	PART NO.	NAME OF PART	QTY.	REF. NO.	PART NO.	NAME OF PART	QTY.
*	376013	Carburetor assembly	1	22	300096	Float arm hinge pin	1
1	19X136	Carburetor nut	2	23	375919	Float and float arm	1
2	303003	Carburetor to manifold gasket . .	1	24	375918	Float valve and seat	1
3	203166	Cam follower spring	1	25	301996	Float valve seat washer	1
4	71A1052	Cam follower clip	2	26	302986	High speed nozzle	1
5	304572	Cam follower lever screw	1	27	302984	Float chamber to carburetor boss gasket	1
6	203162	Throttle cam follower	1	28	303041	Float chamber drain screw	1
7	376726	Cam follower lever and screw assy.	1	29	302985	Float chamber	1
8	41A110	Cam follower link pin	2	30	303760	Choke valve screw	1
9	203164	Throttle lever to cam follower link	1	31	302979	Choke valve	1
10	302430	Carburetor body to spring screw .	1	32	375921	Choke shaft and lever assembly .	1
11	302977	Choke control rod spring	1	33	304572	Throttle shaft lever screw	1
12	21X163	Choke control rod cotter pin . . .	1	34	376725	Throttle shaft lever and screw assy.	1
13	302997	Choke control rod	1	35	303049	Throttle shaft cotter pin	1
14	300179	Low speed needle valve nut	1	36	303048	Throttle shaft washer	1
15	302991	Low speed needle valve	1	37	302996	Throttle shaft spring	1
16	43A123	Low speed valve packing	2	38	304038	Throttle valve screw	1
17	300179	High speed needle valve nut	1	39	302983	Throttle valve	1
18	302992	High speed needle valve	1	40	375922	Throttle shaft and lever assembly	1
19	43A123	High speed valve packing	2	41	203320	Air silencer to carburetor screen	1
20	71X1589	Float chamber to carburetor body screw	5	42	27X309	Expansion plug	1
21	302994	Carburetor body to float chamber gasket	1	43	375973	Carburetor body and plug	1
				44	304201	Carburetor lead shot	5

*Not Shown

ORDER YOUR PARTS FROM YOUR DISTRICT SERVICE STATION.

LIGHTWIN-DUCKTWIN POWER HEAD - CRANKCASE - CRANKSHAFT

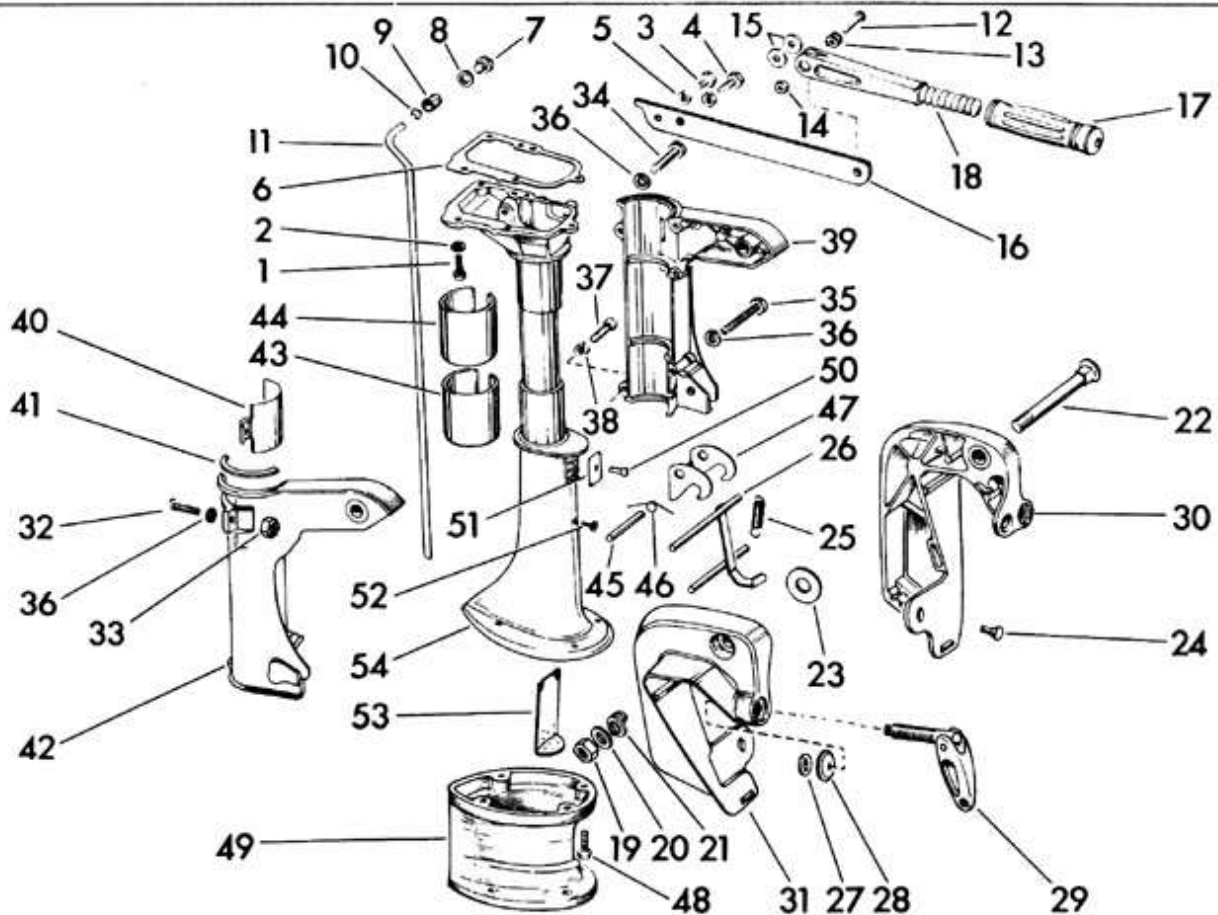


REF. NO.	PART NO.	NAME OF PART	QTY.	REF. NO.	PART NO.	NAME OF PART	QTY.
1	13X558	Manifold to crankcase screw . . .	1	29	43X302	Cylinder head screw washer . . .	6
2	203180	Leaf plate to crankcase gasket . .	1	30	203176	Cylinder head	1
3	203228	Leaf plate to manifold gasket . . .	1	31	203130	Cylinder head gasket	1
4	203144	Carburetor manifold	1	32	13X558	Inner flange mounting screw . . .	4
*	277174	Leaf plate assembly	1	33	203145	Inner flange	1
5	303764	Leaf mounting screw	4	34	203161	Inner flange gasket	1
6	203173	Leaf back-up plate	2	35	25X238	Crankcase to cylinder screw, short	4
7	203175	Leaf	2	36	27X17	Crankcase to cylinder screw, medium	2
8	203174	Leaf plate only	1	37	300399	Crankcase to cylinder screw washer	2
9	39X72	Crankcase to cylinder screw, long	2	38	302827	High tension leads spring	1
10	300399	Crankcase to cylinder washer . . .	2	39	277171	Cylinder and crankcase assembly.	1
11	203148	Fuel tank mounting plate support .	1	40	203159	Cylinder and crankcase stud . . .	2
12	132123	Silencer to cylinder screw	1	41	300402	Taper pin	2
13	300154	Silencer to cylinder screw washer.	1	42	510167	Magneto cam	1
14	13X558	Silencer to carburetor screw . . .	2	43	120395	Flywheel key	1
*	277199	Air silencer assy	1	44	301781	Oil slinger	1
15	43X156	Silencer screw	7	45	43A44	Connecting rod screw	4
16	203224	Air silencer, upper half	1	46	43A17	Connecting rod screw lockplate . .	4
17	203225	Air silencer, lower half	1	47	203177	Crankshaft	1
18	203474	Low speed needle stop	1	48	203152	Piston ring	4
19	303678	Needle stop to air silencer screw.	1	48	203398	Piston ring, .020 O.S.	4
20	43X147	Exhaust cover plate screw	7	49	120960	Piston pin spring ring	4
21	203172	Exhaust cover plate	1	50	203151	Piston pin	2
22	203171	Exhaust cover plate gasket	1	51	277301	Connecting rod assembly	2
23	41X223	Armature plate support screw . . .	3	52	300846	Piston dowel pin	4
24	302599	Armature plate support	1	53	277166	Piston less rings	2
25	552029	Armature plate wave washer	1	53	277283	Piston less rings, .020 O.S. . . .	2
26	302442	Armature plate retaining ring . . .	1	54	43X223	Small plug	1
27†	200322	Spark plug, Champion J-6J	2	55	304067	Large plug	1
27†	376290	Spark plug, Auto-Lite A3X	2	56	203652	Silencer button plug	1
28	21X358	Cylinder head screw	6	*	277386	Set of gaskets	1

* Not shown † We recommend either Champion or Auto-Lite spark plugs.

ORDER YOUR PARTS FROM YOUR DISTRICT SERVICE STATION.

LIGHTWIN -DUCKTWIN STERN BRACKET-SWIVEL BRACKET-STEERING HANDLE

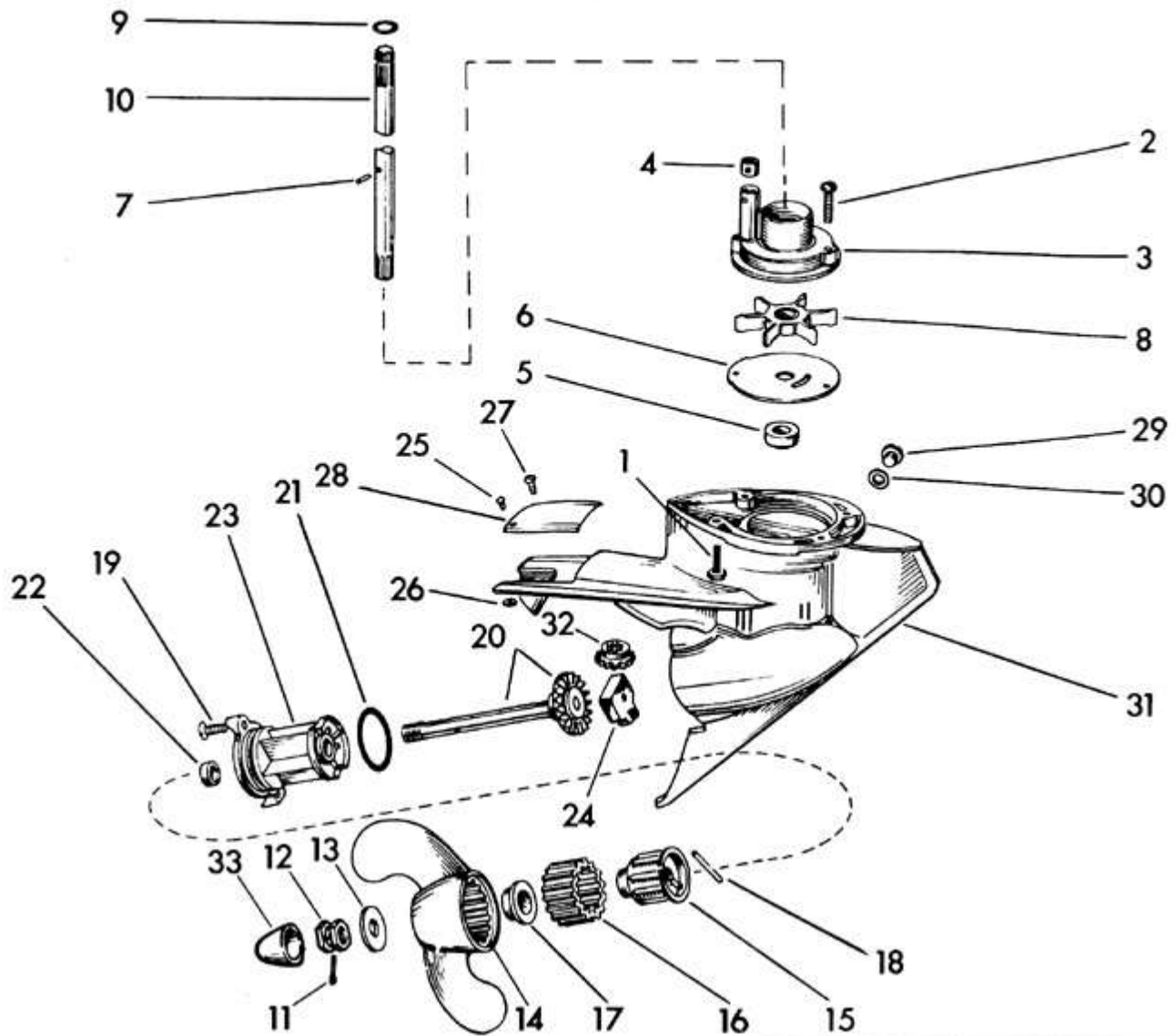


REF. NO.	PART NO.	NAME OF PART	QTY.	REF. NO.	PART NO.	NAME OF PART	QTY.
1	21X167	Exhaust mtg. to motor head screw	5	30	A277177	Stern bracket and clamp screw port, model 3020	1
2	302376	Exh. housing to motor head lock washer	4	31	276615	Stern bracket and clamp screw, starboard, models 3018, 3019	1
3	300646	Steering lever support screw	1	31	A276615	Stern bracket and clamp screw, starboard, model 3020	1
4	302288	Steering lever support screw	1	32	302964	Swivel bracket clamp screw	1
5	19X124	Support screw lock washer	2	33	203157	Swivel bracket clamp screw nut	1
6	203160	Exhaust hsg. to motor head gasket	1	34	21X167	Swivel bracket screw, short	1
7	43A39	Water tube terminal plug	1	35	41X178	Swivel bracket screw, long	3
8	300043	Water tube plug washer	1	36	19X124	Swivel bracket screw lock washer	4
9	43A129	Water inlet tube nut	1	37	21X124	Swivel bracket co-pilot screw	1
10	13X304	Water inlet tube gland	1	38	71A1085	Swivel bracket spring	1
11	203142	Inlet water tube	1	39	277253	Swivel bracket, port, models 3018, 3019	1
11	203217	Inlet water tube, 5" longer	1	39	A277253	Swivel bracket, port, model 3020	1
12	132124	Steering handle screw	1	40	203143	Swivel bracket clamp	1
13	71A1085	Steering handle spring	1	41	203188	Swivel bracket thrust washer	2
14	15X254	Steering handle nut	1	42	203155	Swivel bracket, starboard, models 3018, 3019	1
15	300026	Steering handle washer	2	42	A203155	Swivel bracket, stbd. model 3020	1
16	203124	Handle support, models 3018, 3019	1	43	203134	Swivel brkt. shock absorber lower	1
16	A203124	Handle support, model 3020	1	44	203348	Swivel bracket shock absorber	1
17	203125	Steering handle grip	1	45	203127	Reverse lock pin	1
18	203122	Steering handle, models 3018, 3019	1	46	200672	Reverse lock spring	1
18	A203122	Steering handle, model 3020	1	47	203158	Reverse lock, models 3018, 3019	1
19	130743	Tilting bolt nut	1	47	A203158	Reverse lock, model 3020	1
20	202026	Tilting bolt washer	1	48	300630	Gear case to gear case extension screw, 5" longer	4
21	202027	Tilting bolt spring	1	49	203216	Gear case extension, 5" longer	1
22	203179	Tilting bolt	1	50	303274	Housing cover screw	1
23	202036	Tilting bolt friction washer	2	51	203347	Housing cover, models 3018, 3019	1
*	277176	Stern bracket assembly	1	51	A203347	Housing cover, model 3020	1
24	202008	Stern bracket rivet	1	52	203302	Exhaust relief baffle screw	1
25	202021	Tilting lever spring	1	53	203191	Exhaust relief baffle	1
26	276417	Tilting lever, models 3018, 3019	1	54	277250	Exhaust housing, models 3018, 3019	1
26	A276417	Tilting lever, model 3020	1	54	A277250	Exhaust housing, model 3020	1
27	302420	Clamp screw button retainer	2				
28	41A48	Clamp screw button	2				
29	375744	Clamp screw with button and retainer	2				
30	277177	Stern bracket and clamp screw, port, models 3018, 3019	1				

*Not Shown

ORDER YOUR PARTS FROM YOUR DISTRICT SERVICE STATION.

LIGHTWIN - DUCKTWIN GEAR HOUSING



REF. NO.	PART NO.	NAME OF PART	QTY.	REF. NO.	PART NO.	NAME OF PART	QTY.
*	277590	Gear case assembly, models 3018, 3019	1	18	203230	Propeller shear pin	1
*	A277590	Gear case assembly, model 3020	1	19	302974	Propeller shaft bearing housing screw	2
1	300630	Gear case to exhaust housing screw	4	20	277457	Propeller shaft and gear	1
2	302963	Impeller housing to gear case screw	2	21	301917	Propeller shaft bearing housing seal	1
3	203119	Impeller housing	1	22	300599	Propeller shaft seal	1
4	203131	Water tube grommet	1	23	277589	Propeller shaft bearing housing assembly	1
5	300599	Drive shaft seal	1	24	203140	Propeller shaft thrust bearing	1
6	203132	Water pump plate	1	25	203190	Exhaust cover rivet	1
7	300771	Impeller pin	1	26	303068	Exhaust cover rivet washer	1
8	277181	Pump impeller assembly	1	27	203342	Exhaust cover screw	1
9	202893	Drive shaft to crankshaft "O" ring	1	28	203121	Exhaust cover, models 3018, 3019	1
10	203137	Drive shaft	1	28	A203121	Exhaust cover, model 3020	1
10	203215	Drive shaft 5" longer	1	29	27A283	Oil and drain plug screw	2
11	302804	Propeller nut cotter pin	1	30	27X284	Oil and drain screw washer	2
12	203829	Propeller nut	1	31	277364	Gear case and exhaust cover, models 3018, 3019	1
13	300573	Propeller hub washer, outer	1	31	A277364	Gear case and exhaust cover, model 3020	1
14	203919	Propeller, models 3018, 3019	1	32	203648	Drive shaft pinion	1
14	A203919	Propeller, model 3020	1	33	203830	Propeller shaft cap	1
15	376769	Propeller clutch hub assembly	1				
16	300565	Propeller clutch ring	1				
17	300619	Propeller clutch bushing	1				

*Not Shown

ORDER YOUR PARTS FROM YOUR DISTRICT SERVICE STATION.

EVINRUDE MOTORS • MILWAUKEE 16, WISCONSIN

IN CANADA: EVINRUDE MOTORS, PETERBOROUGH, ONTARIO

LITHO U.S.A.