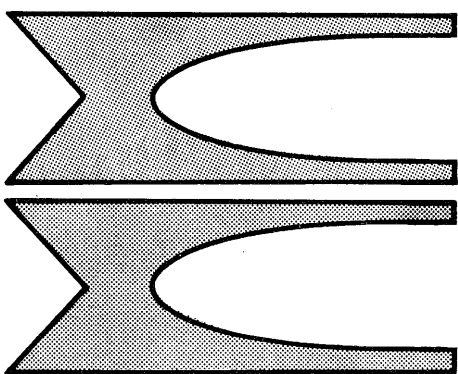


EVINRUDE

19  65

PARTS CATALOG

Lightwin 3 hp.

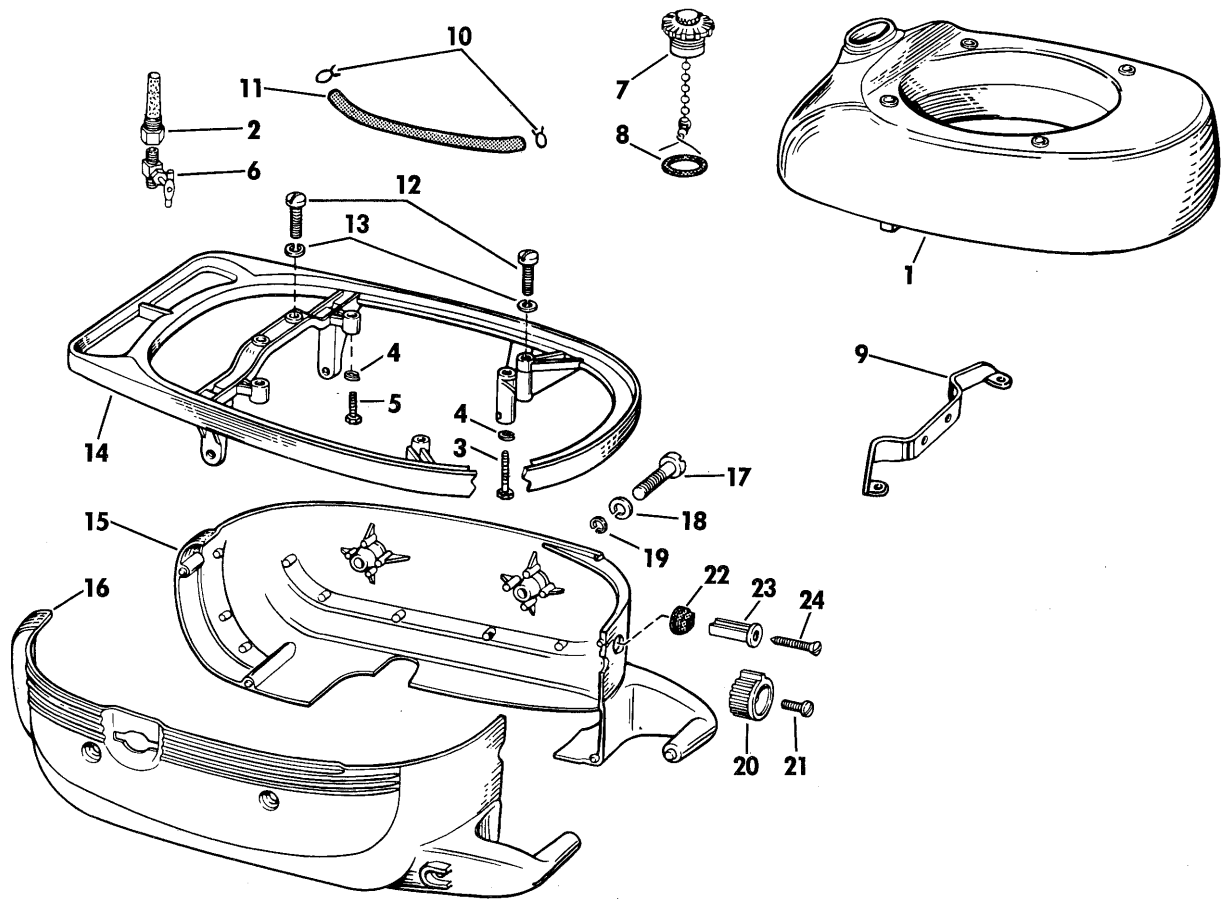
Models 3502A-3503A

Ducktwin 3 hp.

Model 3512A

Yachtwin 3 hp.

Models 3532A-3533A

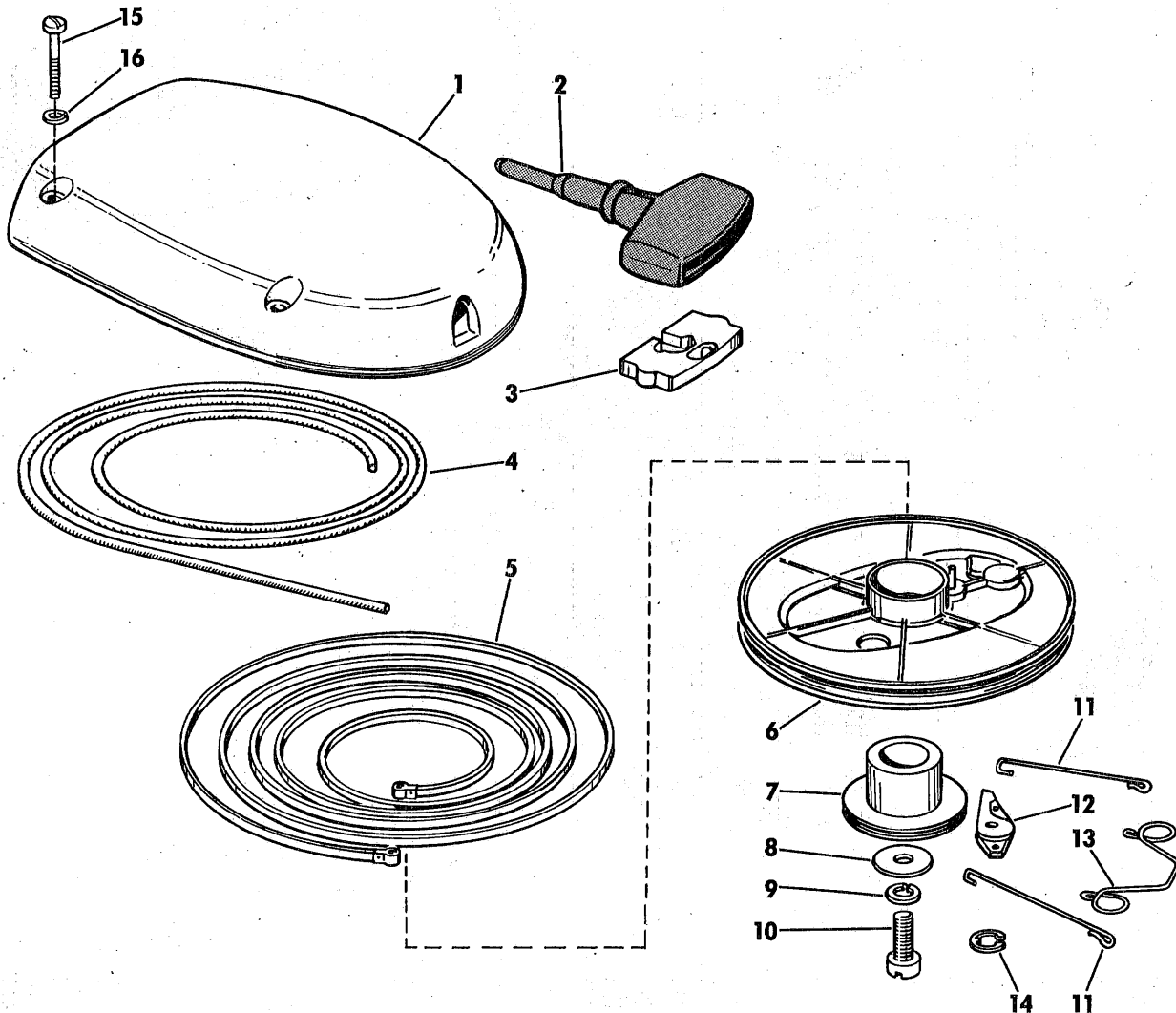


REF. NO.	PART NO.	NAME OF PART	QTY. PER ASSY.	REF. NO.	PART NO.	NAME OF PART	QTY. PER ASSY.
1	278549	FUEL TANK & FILTER ASSY.	1	16	278552	COVER, Motor, starboard . .	1
2	277187	. CONNECTOR & FILTER . .	1	17	203202	. SCREW, Cover	2
3	304913	. SCREW, Tank, front	2	18	302376	. LOCKWASHER, Cover screw	2
4	306396	. LOCKWASHER, Tank screw .	8	19	121019	. RING, Lock, cover screw .	2
5	306418	. SCREW, Tank, rear	2	20	277879	CONTROL KNOB, Low speed .	1
*	306468	. SCREW, Starter to tank . . .	4	21	551517	SCREW, Control knob	1
6	379686	VALVE, Shut-off	1	22	203361	GROMMET, Choke knob	1
7	375514	FILLER CAP ASSY.	1	23	203189	KNOB, Choke	1
8	307538	. GASKET, Filler cap	1	24	303060	SCREW, Choke knob	1
9	203148	SUPPORT, Mounting plate . .	1	*	278628	DECALS, Set, Lightwin	1
10	302647	CLAMP, Fuel hose	2	*	278456	DECALS, Set, Ducktwin	1
11	303171	HOSE, Fuel	1	*	278629	DECALS, Set, Yachtwin	1
12	306408	SCREW, Mounting plate	4	*	205429	OWNER'S MANUAL, Lightwin & Ducktwin	1
13	306396	LOCKWASHER, Plate screw . .	4	*	205430	OWNER'S MANUAL, Yachtwin	1
14	205217	PLATE, Mounting	1	*	379460	ACCESSORY, Fuel pump kit	1
15	278551	COVER, Motor, port (Incl. items 17, 18 & 19)	1				

*Not shown.

INDENTED PART NAMES INDICATE THAT THESE PARTS ARE INCLUDED IN PRECEDING ASSEMBLY

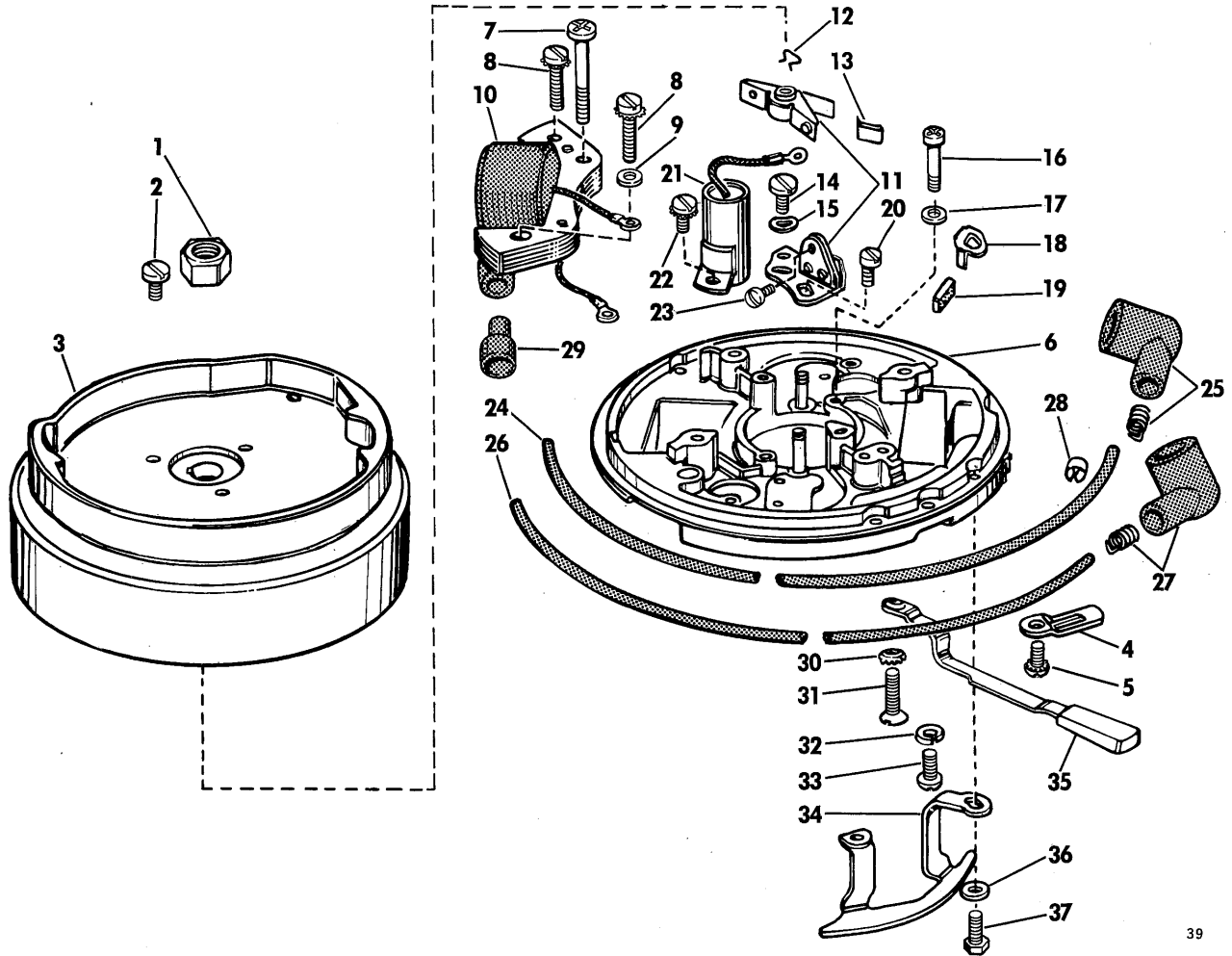
ORDER ALL PARTS FROM YOUR LOCAL AUTHORIZED DEALER



REF. NO.	PART NO.	NAME OF PART	QTY. PER ASSY.	REF. NO.	PART NO.	NAME OF PART	QTY. PER ASSY.
*	277992	STARTER HOUSING ASSY. COMPLETE	1	7	203699	. SPINDLE, Starter	1
1	277562	. STARTER HOUSING & GUIDE PIN ASSY.	1	8	202356	. WASHER, Starter spindle . . .	1
*	304500	. . PIN, Guide	2	9	306339	. LOCKWASHER, Spindle screw	1
2	204335	. HANDLE, Starter	1	10	131991	. SCREW, Starter spindle	1
3	304323	. ANCHOR, Handle rope	1	11	203700	. LINK, Pawl	2
4	203819	. ROPE, Starter (cut to 68-5/16 inches)	1	12	203698	. PAWL, Starter	1
5	307573	. SPRING, Starter	1	13	203697	. SPRING, Starter, friction . . .	1
6	376645	. PULLEY & PIN, Starter . . .	1	14	203470	. RING, Retaining, pawl	1
				15	306468	SCREW, Starter mounting	4
				16	306396	LOCKWASHER, Starter screw . .	4

*Not shown.

INDENTED PART NAMES INDICATE THAT THESE PARTS ARE INCLUDED IN PRECEDING ASSEMBLY
SPECIFY MODEL AND SERIAL NUMBER OF MOTOR WHEN ORDERING PARTS



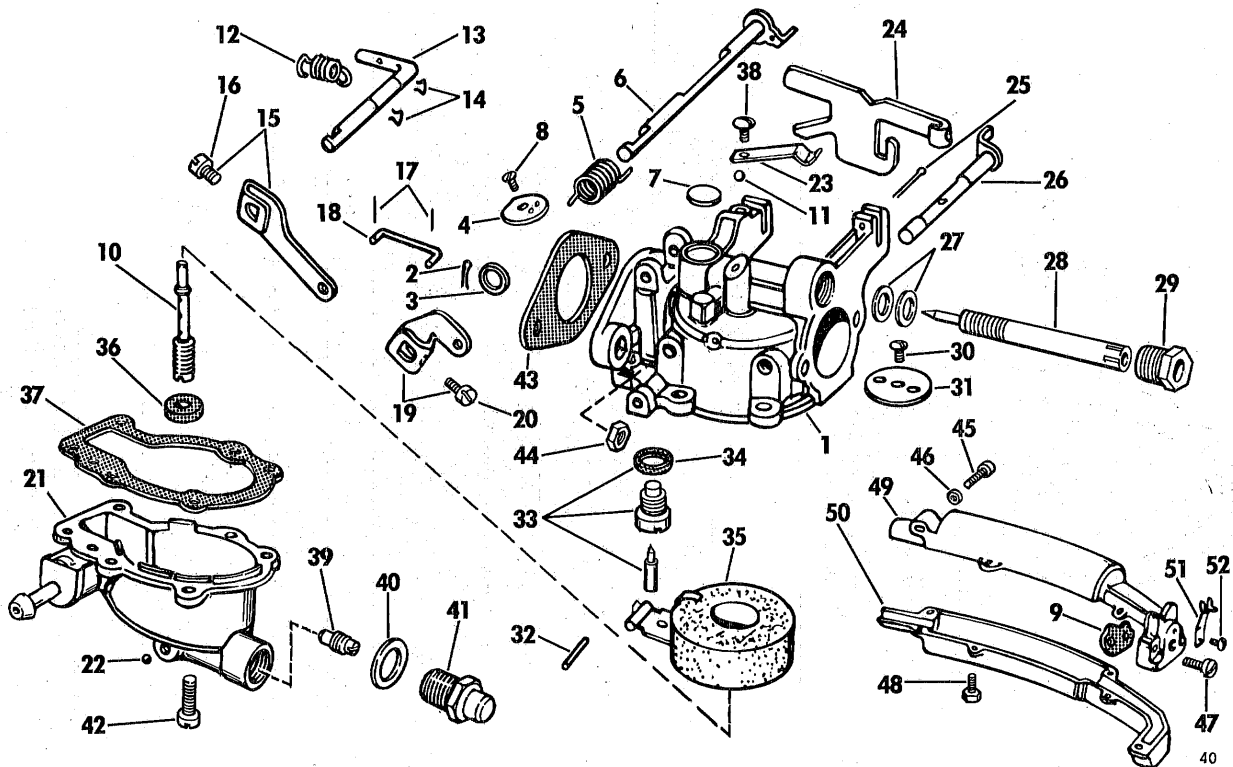
39

REF. NO.	PART NO.	NAME OF PART	QTY. PER ASSY.	REF. NO.	PART NO.	NAME OF PART	QTY. PER ASSY.
1	130743	NUT, Crankshaft	1	21	580321	. CONDENSER	2
2	304512	SCREW, Flywheel	3	22	510193	. SCREW, Sems, condenser . .	2
3	580188	FLYWHEEL	1	23	510194	. SCREW, Terminal	2
*	580185	ARMATURE PLATE ASSY. . .	1	*	580142	. HIGH TENSION LEAD ASSEMBLY, UPPER . . .	1
4	510190	. CLAMP, H. T. leads	2	24	510201	. . LEAD, High tension, upper	1
5	510193	. SCREW, Leads clamp	2	25	580339	. . COVER & TERMINAL . .	1
6	580121	. PLATE, Armature	1	*	580186	. HIGH TENSION LEAD ASSEMBLY, LOWER . . .	1
7	510191	. SCREW, Phillips, Lamination	2	26	510239	. . LEAD, High tension, lower	1
8	510397	. SCREW, Sems, Lamination .	4	27	580339	. . COVER & TERMINAL . .	1
9	306547	. WASHER, Lamination screw .	2	28	120783	. MARKER, Upper lead . . .	1
10	580416	. COIL & LAMINATION	2	29	510289	. GROMMET, Lead to coil . .	2
11	580148	. BREAKER ASSEMBLY	2	30	551163	WASHER, Handle screw . . .	1
12	307594	. . CLIP, Rocker arm	1	31	306532	SCREW, Handle to plate . . .	1
13	510204	. . CLIP, Breaker spring . . .	1	32	306311	LOCKWASHER, Handle screw .	1
14	510278	. SCREW, Breaker mounting . .	2	33	306478	SCREW, Handle to plate . . .	1
15	510208	. WASHER, Bow	2	34	203147	CAM, Throttle control	1
16	510192	. SCREW, Phillips, plate . . .	2	35	277888	HANDLE, Armature plate . . .	1
17	306311	. LOCKWASHER, Plate screw . .	2	36	300154	WASHER, Cam screw	1
18	510188	. CLIP, Oiler	1	37	302750	SCREW, Cam to plate	2
19	510189	. WICK, Oiler	1				
20	510185	. SCREW, Eccentric, breaker .	2				

*Not shown.

INDENTED PART NAMES INDICATE THAT THESE PARTS ARE INCLUDED IN PRECEDING ASSEMBLY

ORDER ALL PARTS FROM YOUR LOCAL AUTHORIZED DEALER

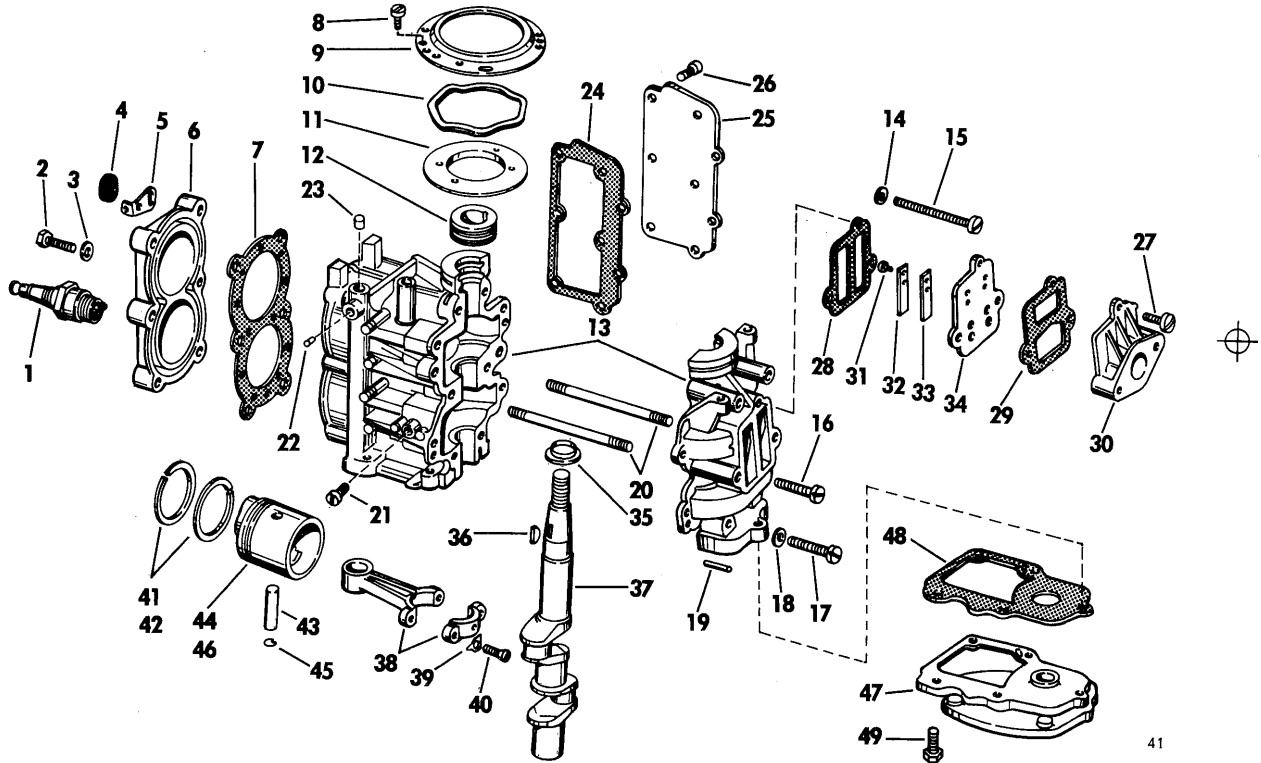


REF. NO.	PART NO.	NAME OF PART	QTY. PER ASSY.	REF. NO.	PART NO.	NAME OF PART	QTY. PER ASSY.
*	379685	CARBURETOR ASSEMBLY . .	1	27	307583	. PACKING, Low speed valve .	2
1	376978	. CARBURETOR BODY ASSEMBLY	1	28	302991	. VALVE, Needle, low speed . .	1
2	303049	. . PIN, Cotter, throttle shaft .	1	29	300179	. NUT, Low speed valve	1
3	303048	. . WASHER, Throttle shaft . .	1	30	303760	. SCREW, Choke valve	1
4	302983	. . VALVE, Throttle	1	31	302979	. VALVE, Choke	1
5	302996	. . SPRING, Throttle shaft . .	1	32	300096	. PIN, Hinge, float arm	1
6	375922	. . SHAFT ASSY. , Throttle . .	1	33	378895	. FLOAT VALVE ASSY.	1
7	306442	. . PLUG, Expansion	1	34	301996	. . GASKET, Valve seat	1
8	304038	. . SCREW, Throttle valve . .	1	35	375919	. FLOAT & ARM	1
9	203320	. . SCREEN, Air silencer . . .	1	36	302984	. GASKET, Carb. body boss . .	1
10	304949	. . NOZZLE, High speed	1	37	302994	. GASKET, Chamber to body . .	1
11	304201	. . SHOT, Lead	5	38	302430	. SCREW, Choke control spring .	1
12	203166	. . SPRING, Cam follower . . .	1	39	310758	. PLUG, Orifice	1
13	203162	. . FOLLOWER, Throttle cam . .	1	40	303630	. WASHER, Screw plug	1
14	307594	. . CLIP, Cam follower	2	41	309346	. PLUG, Screw	1
15	376726	. . LEVER ASSY. , Cam follower .	1	42	307045	. SCREW, Chamber to body . . .	5
16	304572	. . SCREW, Follower lever . . .	1	43	303003	GASKET, Carb. to manifold . . .	1
17	307565	. . PIN, Cam follower link . . .	2	44	306397	NUT, Carb. to manifold	2
18	203164	. . LINK, Cam follower	1	45	132123	SCREW, Silencer to cylinder . .	1
19	376725	. . LEVER ASSEMBLY, Throttle shaft	1	46	300154	WASHER, Silencer screw	1
20	304572	. . SCREW, Throttle lever . . .	1	47	305829	SCREW, Silencer to carb.	2
21	379687	. . FLOAT CHAMBER ASSY.	1	*	277199	AIR SILENCER ASSY.	1
22	304201	. . SHOT, Lead	1	48	306417	. SCREW, Silencer halves	7
23	204405	. . SPRING, Choke control rod . .	1	49	203224	. AIR SILENCER, Upper	1
24	302997	. . ROD, Choke control	1	50	203225	. AIR SILENCER, Lower	1
25	306406	. . PIN, Cotter, control rod . . .	1	51	203474	STOP, Needle, low speed	1
26	375921	. . SHAFT ASSY. , Choke	1	52	303678	SCREW, Stop to silencer	1
				*	379627	ACCESSORY, Adjustable high speed needle valve kit	1

*Not shown.

INDENTED PART NAMES INDICATE THAT THESE PARTS ARE INCLUDED IN PRECEDING ASSEMBLY

SPECIFY MODEL AND SERIAL NUMBER OF MOTOR WHEN ORDERING PARTS



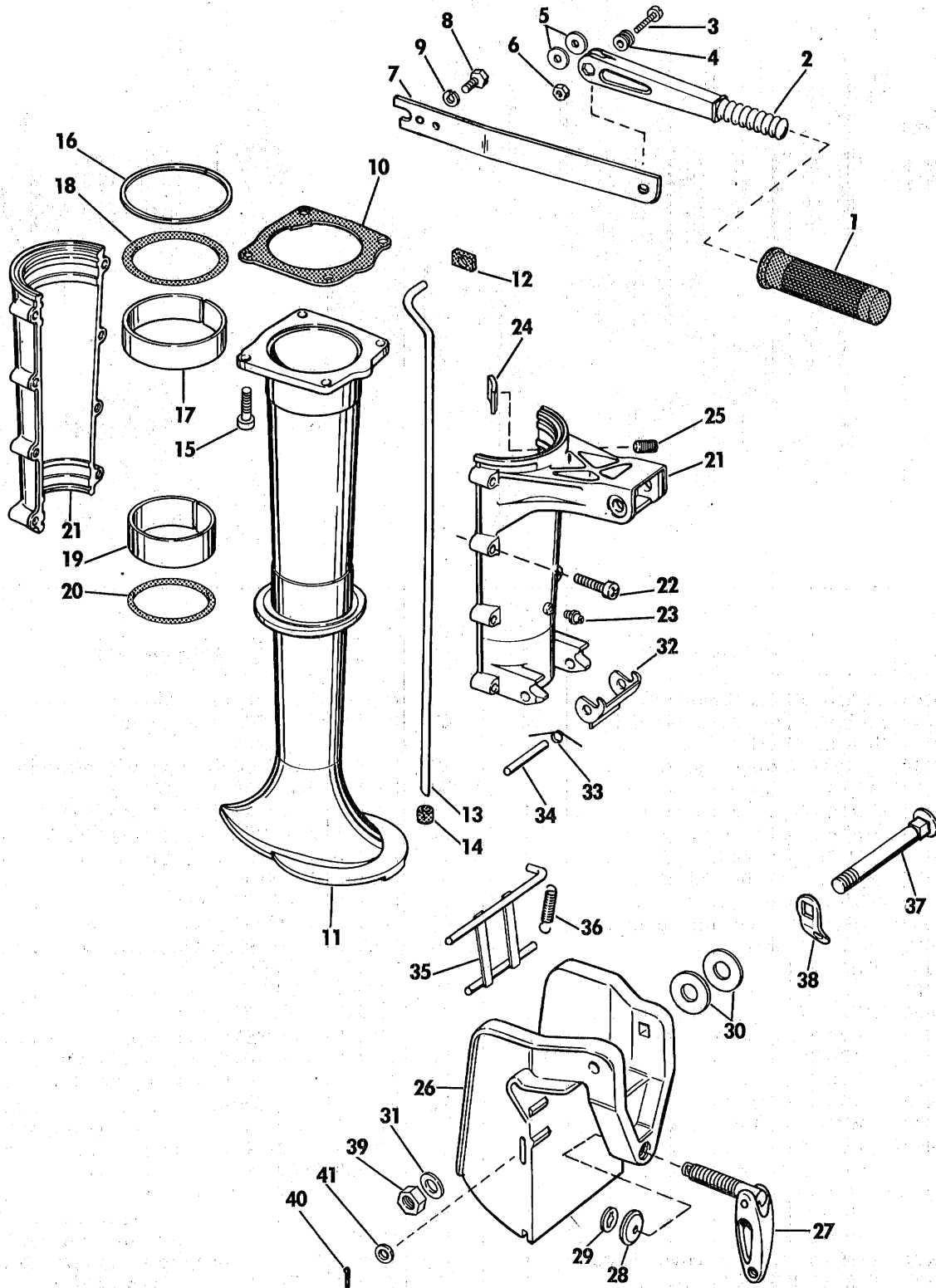
REF. NO.	PART NO.	NAME OF PART	QTY. PER ASSY.	REF. NO.	PART NO.	NAME OF PART	QTY. PER ASSY.
†1	378101	SPARK PLUG, Champion J4J .	2	27	304889	SCREW, Manifold	1
†1	378368	SPARK PLUG, Auto-Lite A21X .	2	28	203180	GASKET, Leaf plate to crankcase	1
†1	378320	SPARK PLUG, AC-M42K	2	29	203228	GASKET, Leaf plate to manifold .	1
2	306418	SCREW, Cylinder head	6	30	203144	MANIFOLD, Carburetor	1
3	306482	WASHER, Cyl. head screw	5	*	277174	LEAF PLATE ASSEMBLY	1
4	300454	GROMMET, Lead anchor	1	31	303764	. SCREW, Leaf mounting	4
5	300455	ANCHOR, H.T. leads	1	32	203173	. PLATE, Leaf back-up	2
6	203176	CYLINDER HEAD	1	33	203175	. LEAF	2
7	203130	GASKET, Cylinder head	1	34	203174	. PLATE, Leaf	1
8	306469	SCREW, Support	3	35	301781	SLINGER, Oil	1
9	302599	SUPPORT, Armature plate	1	36	120395	KEY, Flywheel	1
10	552029	WASHER, Wave	1	37	203555	CRANKSHAFT	1
11	302442	RING, Retaining	1	38	277301	CONNECTING ROD ASSY.	2
12	510167	CAM, Magneto	1	39	307578	. PLATE, Lock	2
13	379436	CYL. & CRANKCASE ASSY.	1	40	307582	. SCREW, Rod cap	2
14	300399	. WASHER, Long screw	2	41	378412	RING SET, Piston, standard	2
15	306455	. SCREW, Long	2	42	378414	RING SET, Piston, .020 O.S.	2
16	306408	. SCREW, Short	4	43	203151	PIN, Wrist	2
17	306440	. SCREW, Medium	2	44	376991	PISTON ASSY., Less rings, std.	2
18	300399	. WASHER, Medium screw	2	45	120960	. RING, Retaining	2
19	300402	. PIN, Taper	2	46	277283	PISTON ASSY., Less rings, .020 O.S. (incl. item 45)	2
20	203159	. STUD, Cyl. & crankcase	2	47	310199	ADAPTER, Powerhead	1
21	307272	. SCREW, Cylinder plug	1	48	310276	GASKET, Adapter to powerhead	1
22	307588	. PLUG, Small	1	49	310277	SCREW, Adapter to powerhead	5
23	304067	. PLUG, Large	1	*	379869	GASKET SET, Less cylinder head gasket	1
24	203171	GASKET, Exhaust cover plate	1				
25	203172	PLATE, Exhaust cover	1				
26	306478	SCREW, Cover plate	7				

*Not shown.

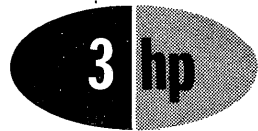
†We recommend Champion, Auto-Lite or AC Spark Plugs.

INDENTED PART NAMES INDICATE THAT THESE PARTS ARE INCLUDED IN PRECEDING ASSEMBLY

ORDER ALL PARTS FROM YOUR LOCAL AUTHORIZED DEALER



INDENTED PART NAMES INDICATE THAT THESE PARTS ARE INCLUDED IN PRECEDING ASSEMBLY
SPECIFY MODEL AND SERIAL NUMBER OF MOTOR WHEN ORDERING PARTS

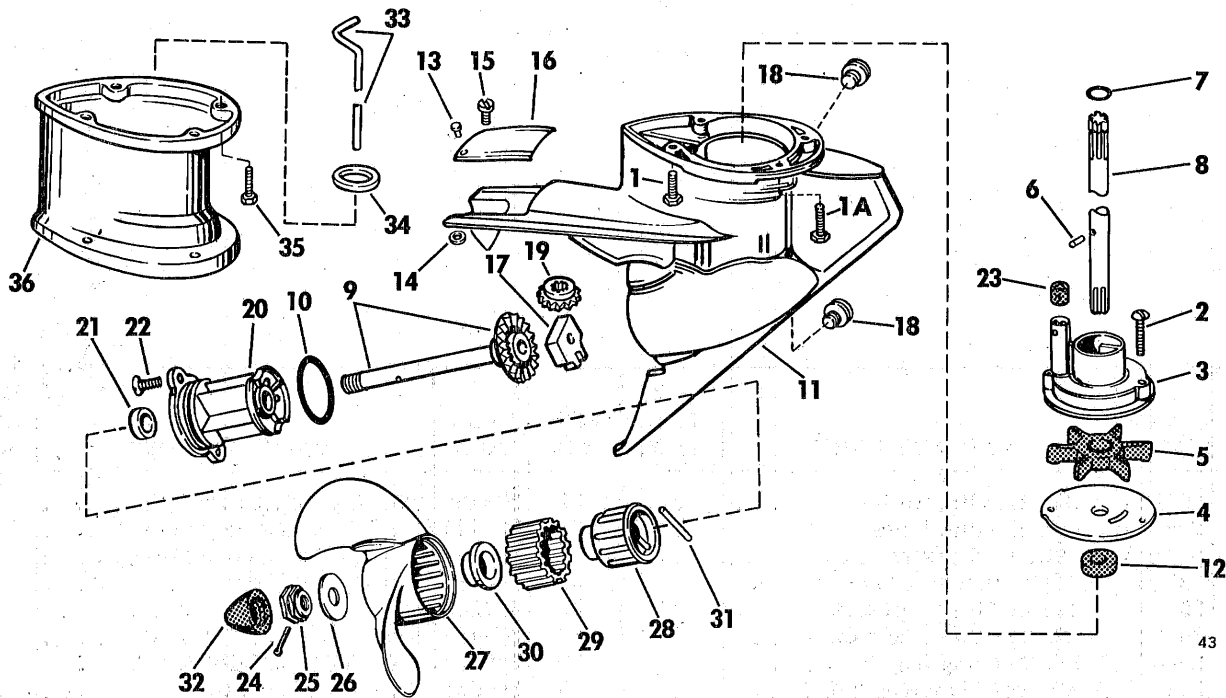


REF. NO.	PART NO.	NAME OF PART	QTY. PER ASSY.	REF. NO.	PART NO.	NAME OF PART	QTY. PER ASSY.
1	204185	GRIP, Handle, white	1	21	379409	SWIVEL BRACKET ASSY.	1
1	204186	GRIP, Handle, black	1	22	308744	. SCREW, Swivel bracket	8
2	203122	HANDLE, Steering	1	23	307256	. FITTING, Lubrication	1
3	132124	SCREW, Steering handle	1	24	310265	BLOCK, Friction	1
4	307595	SPRING, Steering handle	1	25	310266	SCREW, Friction block	1
5	300026	WASHER, Steering handle	2	26	379437	STERN BRACKET ASSY.	1
6	306375	NUT, Steering handle	1	27	379694	. CLAMP SCREW ASSY.	1
7	205312	SUPPORT, Steering handle	1	28	307561	. . PLATE, Swivel	1
8	300646	SCREW, Handle support	2	29	302420	. . RETAINER, Plate	1
9	306396	LOCKWASHER, Handle support screw	2	30	310273	WASHER, Non-metallic	2
10	310257	GASKET, Housing to adapter	1	31	310274	WASHER, Tilting bolt	1
11	310200	HOUSING, Exhaust	1	32	310263	LOCK, Reverse	1
12	310258	GROMMET, Water tube, upper	1	33	310264	SPRING, Reverse lock	1
†13	310272	WATER TUBE, Standard	1	34	310294	PIN, Reverse lock	1
14	203131	GROMMET, Water tube, lower	1	35	379438	LEVER, Tilt	1
15	308741	SCREW, Housing to adapter	4	36	310261	SPRING, Tilt lever	1
16	310267	WASHER, Thrust	1	37	310262	BOLT, Tilting	1
17	310270	LINING, Housing, upper	1	38	310736	LINK, Safety chain	1
18	310268	"O" RING, Housing, upper	1	39	310357	NUT, Tilting bolt	1
19	310271	LINING, Housing, lower	1	40	306387	PIN, Cotter, tilting lever	1
20	310269	"O" RING, Housing, lower	1	41	305981	WASHER, Lever to bracket	1

†This part number is for standard length models only. For 5" longer models see special listing on gear case page.

INDENTED PART NAMES INDICATE THAT THESE PARTS ARE INCLUDED IN PRECEDING ASSEMBLY

ORDER ALL PARTS FROM YOUR LOCAL AUTHORIZED DEALER

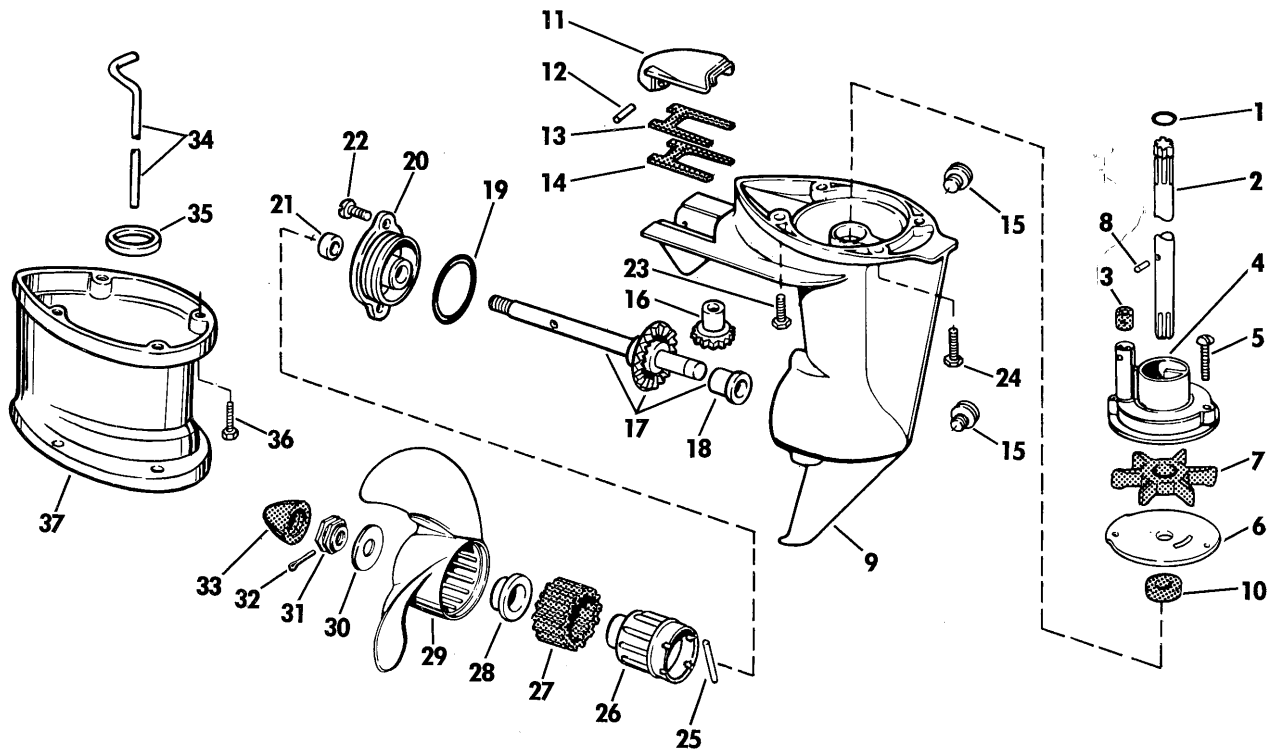


REF. NO.	PART NO.	NAME OF PART	QTY. PER ASSY.	REF. NO.	PART NO.	NAME OF PART	QTY. PER ASSY.
1	308707	SCREW, Gear case to housing .	2	21	300599	. . . SEAL, Propeller shaft . . .	1
1A	309646	SCREW, Gear case to housing .	2	22	302974	. . . SCREW, Bearing housing . .	2
*	379472	GEAR CASE ASSEMBLY	1	23	203131	GROMMET, Water tube, lower . .	1
2	302963	. SCREW, Impeller housing . . .	2	24	302804	PIN, Cotter, propeller nut	1
3	310344	. HOUSING, Impeller	1	25	203829	NUT, Propeller	1
4	203132	. PLATE, Water pump	1	26	300573	WASHER, Outer, propeller	1
5	277181	. PUMP IMPELLER ASSY.	1	27	203919	PROPELLER, 6-1/8" x 6-1/4" . .	1
6	306196	. . PIN, Impeller	1	28	376769	HUB, Propeller clutch	1
7	202893	. "O" RING, Drive shaft	1	29	300565	RING, Propeller clutch	1
8	310345	. DRIVE SHAFT, Standard	1	30	300619	BUSHING, Propeller clutch	1
9	277457	. PROPELLER SHAFT ASSY.	1	31	203230	PIN, Drive, Propeller	1
10	301917	. SEAL, Bearing housing	1	32	203830	CAP, Propeller shaft	1
11	277364	. GEAR CASE & EXHAUST COVER ASSY.	1	5 INCH LONGER PARTS			
12	300599	. . SEAL, Drive shaft	1	*	379473	EXTENSION KIT ASSY. -5"	1
13	203190	. . RIVET, Exhaust cover	1	8	205350	. DRIVE SHAFT, 5" longer	1
14	303068	. . WASHER, Cover rivet	1	33	310351	. WATER TUBE, 5" longer	1
15	203342	. . SCREW, Exhaust cover	1	34	310744	. RING, Pilot, extension	1
16	204316	. . COVER, Exhaust	1	35	309646	. SCREW, Extension	4
17	203140	. . BEARING, Thrust	1	36	310355	. EXTENSION, Gear case 5" . . .	1
18	307551	. PLUG & WASHER	2	*	310258	. GROMMET, Water tube, upper	1
*	311598	. . WASHER, Plug	1	*	310257	. GASKET, Adapter to housing . .	1
19	203648	. PINION, Drive shaft	1				
20	277589	. BEARING HOUSING ASSY.	1				

*Not shown.

INDENTED PART NAMES INDICATE THAT THESE PARTS ARE INCLUDED IN PRECEDING ASSEMBLY

SPECIFY MODEL AND SERIAL NUMBER OF MOTOR WHEN ORDERING PARTS



44

REF. NO.	PART NO.	NAME OF PART	QTY. PER ASSY.	REF. NO.	PART NO.	NAME OF PART	QTY. PER ASSY.
1	202893	"O" RING, Drive shaft	1	23	308707	SCREW, Gear case to housing, short	2
2	310207	SHAFT, Drive, standard	1	24	309646	SCREW, Gear case to housing, long	2
3	203131	GROMMET, Water tube, lower	1	25	203230	PIN, Drive	1
4	310344	HOUSING, Impeller	1	26	379466	HUB, Propeller clutch	1
5	302963	SCREW, Impeller housing	2	27	310331	RING, Clutch	1
6	203132	PLATE, Pump	1	28	300619	BUSHING, Clutch	1
7	277181	PUMP IMPELLER ASSY.	1	29	310208	PROPELLER, 8" X 4-1/2"	1
8	306196	. PIN, Impeller	1	30	300573	WASHER, Propeller hub	1
*	380078	GEAR CASE ASSEMBLY	1	31	203829	NUT, Propeller	1
9	380077	. GEAR CASE & EXHAUST COVER ASSEMBLY	1	32	302804	PIN, Cotter, propeller nut	1
10	300599	. . SEAL, Drive shaft	1	33	203830	CAP, Propeller shaft	1
11	310304	. . COVER, Exhaust	1	5 INCH LONGER PARTS			
12	310368	. . RIVET, Exhaust cover	1				
†13	310805	. . GASKET, Exhaust cover (3/64")	1	*	379723	EXTENSION KIT ASSY. - 5"	1
†14	310806	. . GASKET, Exhaust cover (1/32")	1	1	202893	. "O" RING, Drive shaft	1
15	307551	. . PLUG & WASHER	2	2	310352	. . DRIVE SHAFT, 5" longer	1
*	311598	. . WASHER, Plug	1	34	310351	. . WATER TUBE, 5" longer	1
16	310206	. . GEAR, Drive shaft pinion	1	*	310258	. . GROMMET, Water tube, upper	1
17	379469	. . PROPELLER SHAFT ASSY.	1	35	310744	. . RING, Pilot, extension	1
18	310343	. . SPACER, Gear	1	36	309646	. . SCREW, Gear case to extension	4
19	310327	. "O" RING, Gear case head	1	37	310355	. . EXTENSION, Gear case, 5"	1
20	380191	. . GEAR CASE HEAD ASSY.	1	*	310257	. . GASKET, Adapter to housing	1
21	310328	. . SEAL, Propeller shaft	1				
22	306461	. . SCREW, Gear case head	2				

*Not shown.

†Use only one gasket as required. DO NOT USE BOTH.

INDENTED PART NAMES INDICATE THAT THESE PARTS ARE INCLUDED IN PRECEDING ASSEMBLY

ORDER ALL PARTS FROM YOUR LOCAL AUTHORIZED DEALER