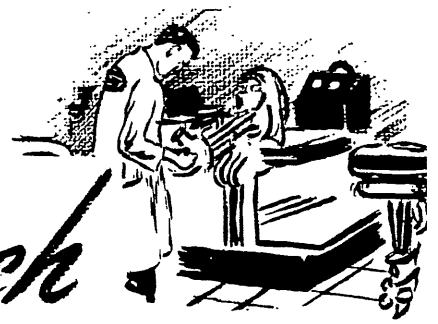


Johnson Sea Horse

REPAIR PARTS CATALOG

MODELS OK-55, OK-60, OK-75, OK-10
& OK-15

The Service Bench



OUTBOARD, MARINE & MANUFACTURING CO. OF CANADA, LTD.

PETERBORO, CANADA

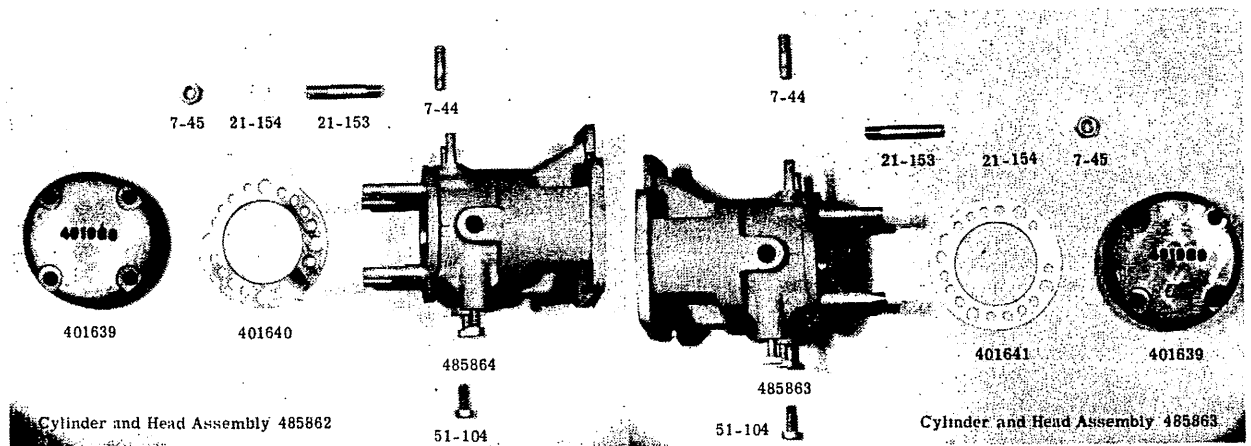
No. 111

CYLINDER CONVERSION ASSEMBLY

- OK MODELS -

The cylinders of the OK model have been redesigned, and in the future will be supplied with a detachable cylinder head as illustrated below. Old style cylinders, part number 34-43 and 34-44, will be superseded by new type cylinder conversion assembly, part number 485862, port, (34-43), and 485863, starboard, (34-44). This change will go into effect when stock of 34-43 and 34-44 cylinders becomes exhausted.

New type cylinders with detachable heads will be standard equipment on OK-20 series motors.



<u>Part No.</u>	<u>Description</u>	<u>Quan. Used</u>
7-44	STUD - steering rail to cylinder	4
7-45	NUT - cylinder head stud	8
21-153	STUD - cylinder head to cylinder	8
21-191	DOWEL PIN - cylinder head	2
51-104	SCREW - gas tank to cylinder	4
401639	CYLINDER HEAD - starboard and port	2
401640	GASKET - cylinder head	2
485862	CYLINDER CONVERSION ASSEMBLY - port	1
485863	CYLINDER CONVERSION ASSEMBLY - starboard	1
485864	CYLINDER AND STUD ASSEMBLY - port	1
485865	CYLINDER AND STUD ASSEMBLY - starboard	1

Very truly yours,

Service Manager.

D. H. Wood/CN.

CHANGES IN DESIGN THAT AFFECT REPLACEMENT PARTS FOR OK MODELS

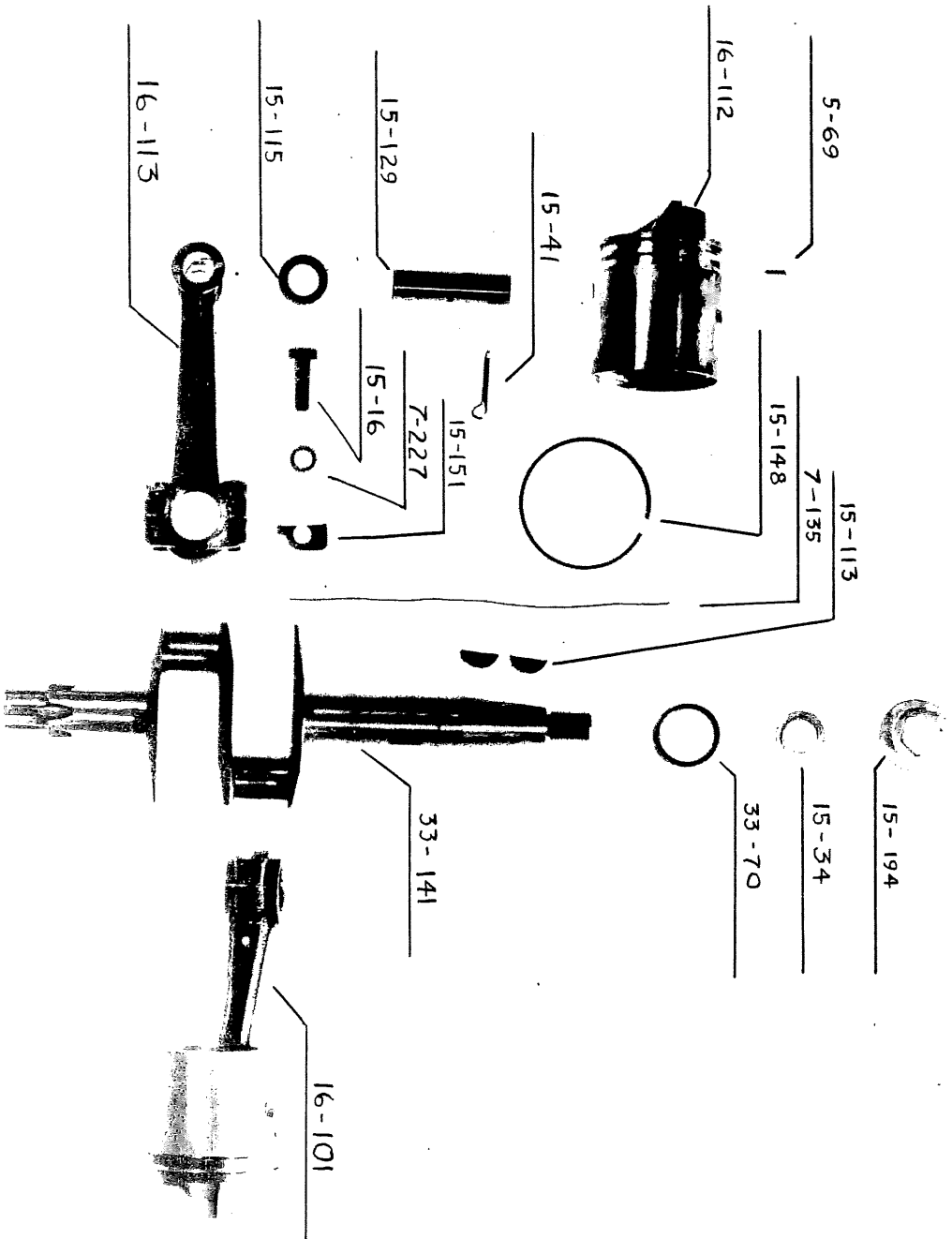
CRANKSHAFT - All OK models manufactured up to 1939, (OK-55, 60, 75) used crankshaft Part #33-5, which has an internal spline. This crankshaft has been discontinued, and is superceded by crankshaft Part #33-141, which has an external spline. When supplying a Part #33-141 crankshaft for these models, it is necessary to supply also the new type driveshaft, Part #485561, for the standard length motor, and Part #485588 for the extra long models.

PROPELLER SHAFT AND GEAR - The OK-60 model was equipped with propeller shaft Part #33-121, and gear Part #33-120. Both these parts have been discontinued. This model did not have a shock absorber clutch on the propeller shaft. When replacement of either Part #33-120 or Part #33-121 is required, order Part #34-35, which is the propeller shaft, clutch and gear assembly, as used on models OK-55, 75, and 10.

GAS TANK - The round steel gas tank used on models OK-55 has been discontinued, and is superceded by the model OK-15 aluminum gas tank, Part #34-77. This change necessitates a new gas line, Part #16-46, and two outlet water tubes, Part #'s 34-73 and 34-74.

PROPELLERS - Propellers Part #'s 34-11 and 402-53 for models OK-55, 60, 75, and 10, cannot be used on the model OK-15.

PARTS FOR ALL OK MODELS

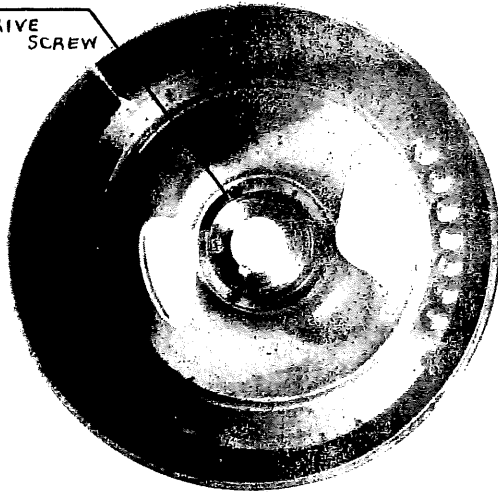


MAGNETO PARTS FOR ALL OK MODELS

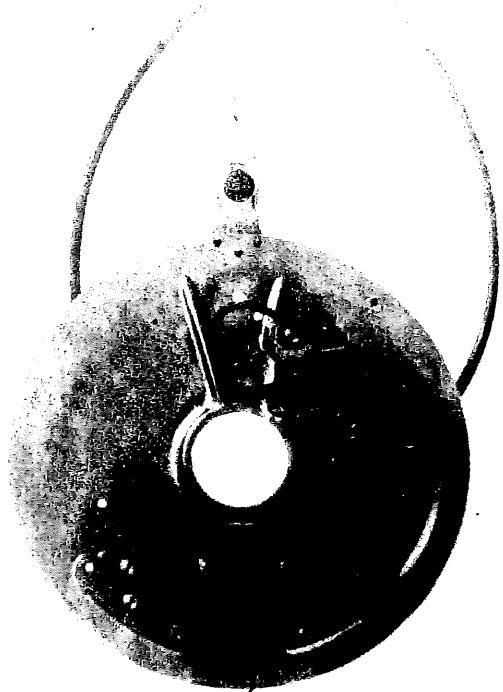
7-224

71-1126 CAM

71-1054 DRIVE
SCREW



72-940



72-943

15-42

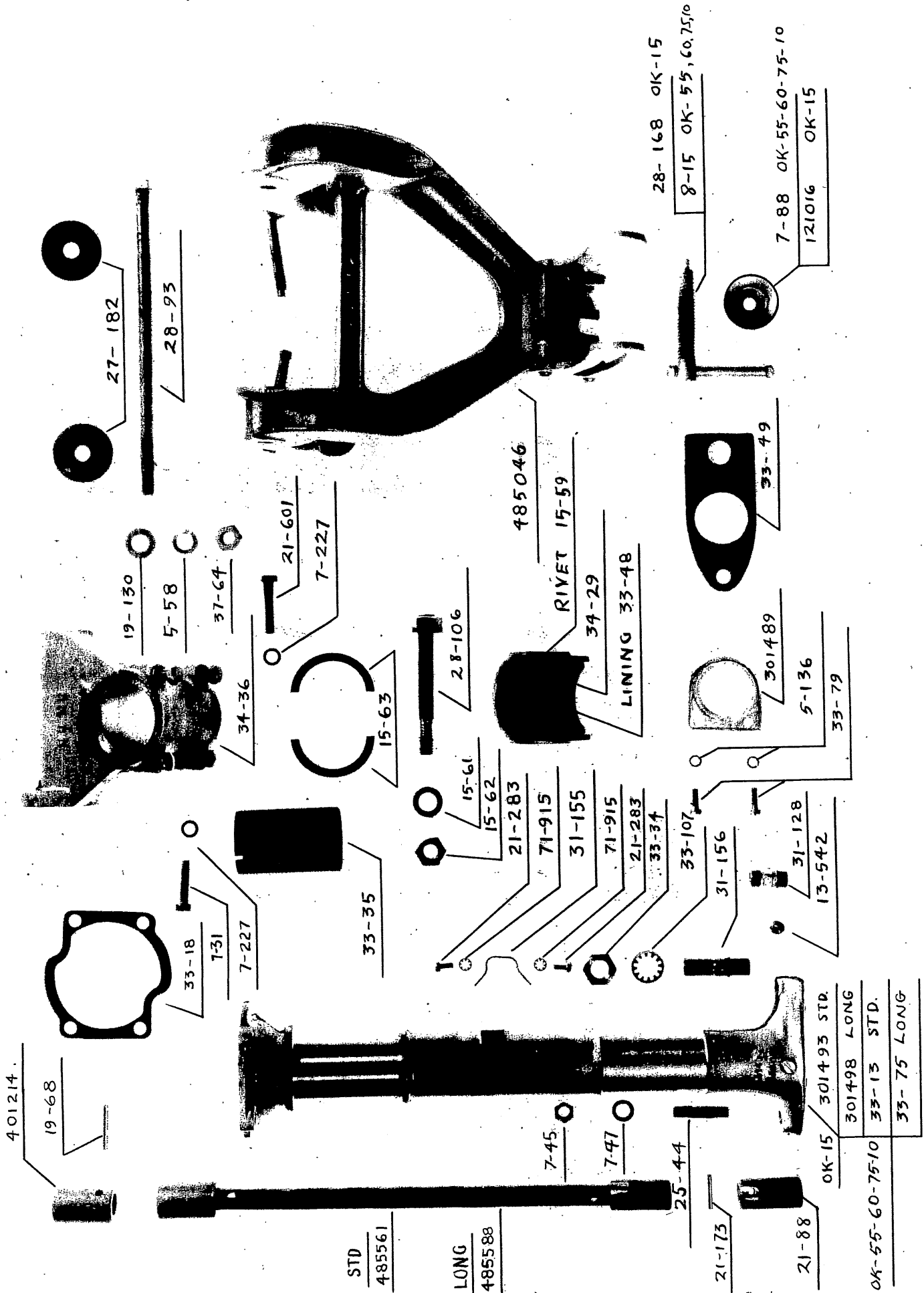


33-92

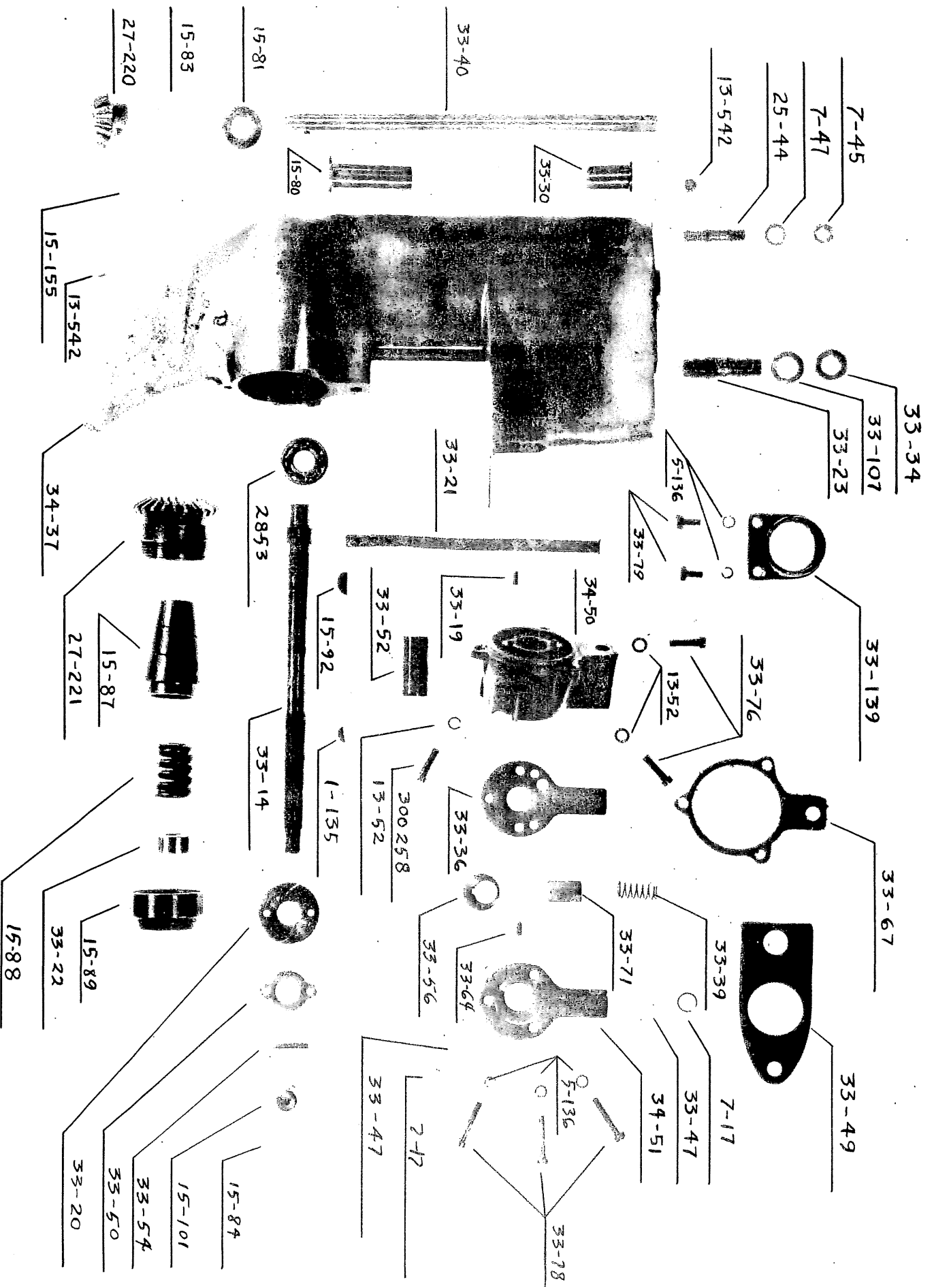
15-42

15-42

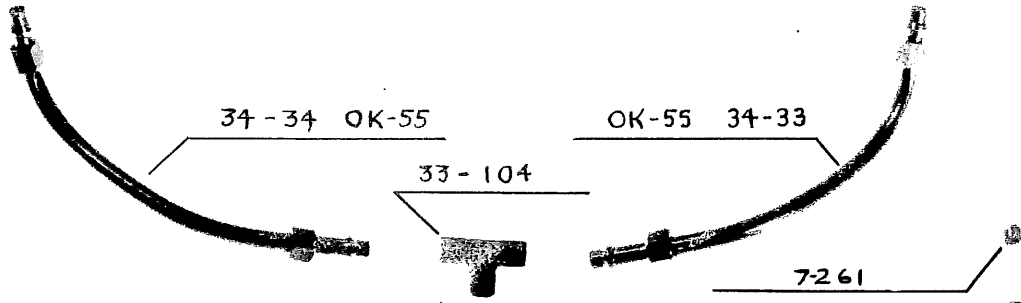
PARTS FOR ALL OK MODELS



PARTS FOR OK-55, OK-60, OK-75 AND OK-10



PARTS FOR OK-55, OK-60, OK-75 AND OK-10



34-24 STD.

34-47 LONG

34-62 SHELL & PIPE-STD.

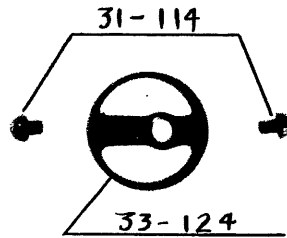
34-65 SHELL & PIPE-LONG

34-63 MUFFLER COMP. STD.

34-66 MUFFLER COMP-LONG

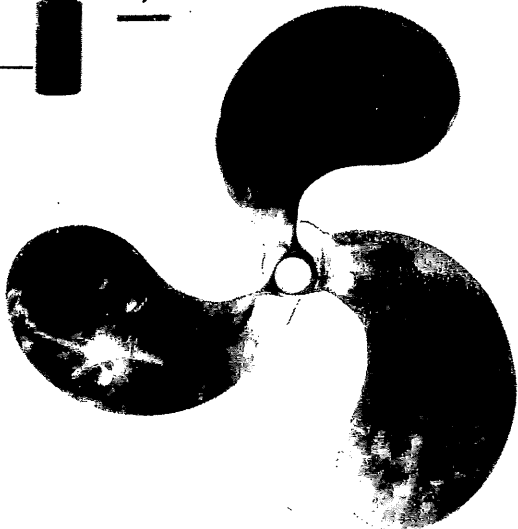
33-122 STD.

33-132 LONG



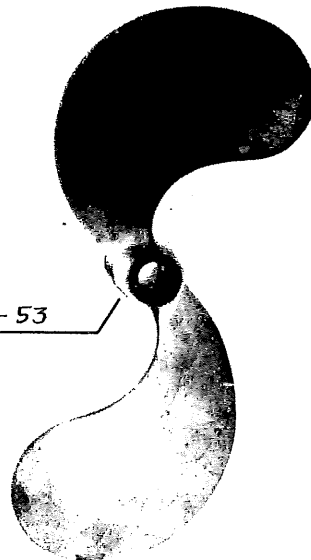
21-88

21-173



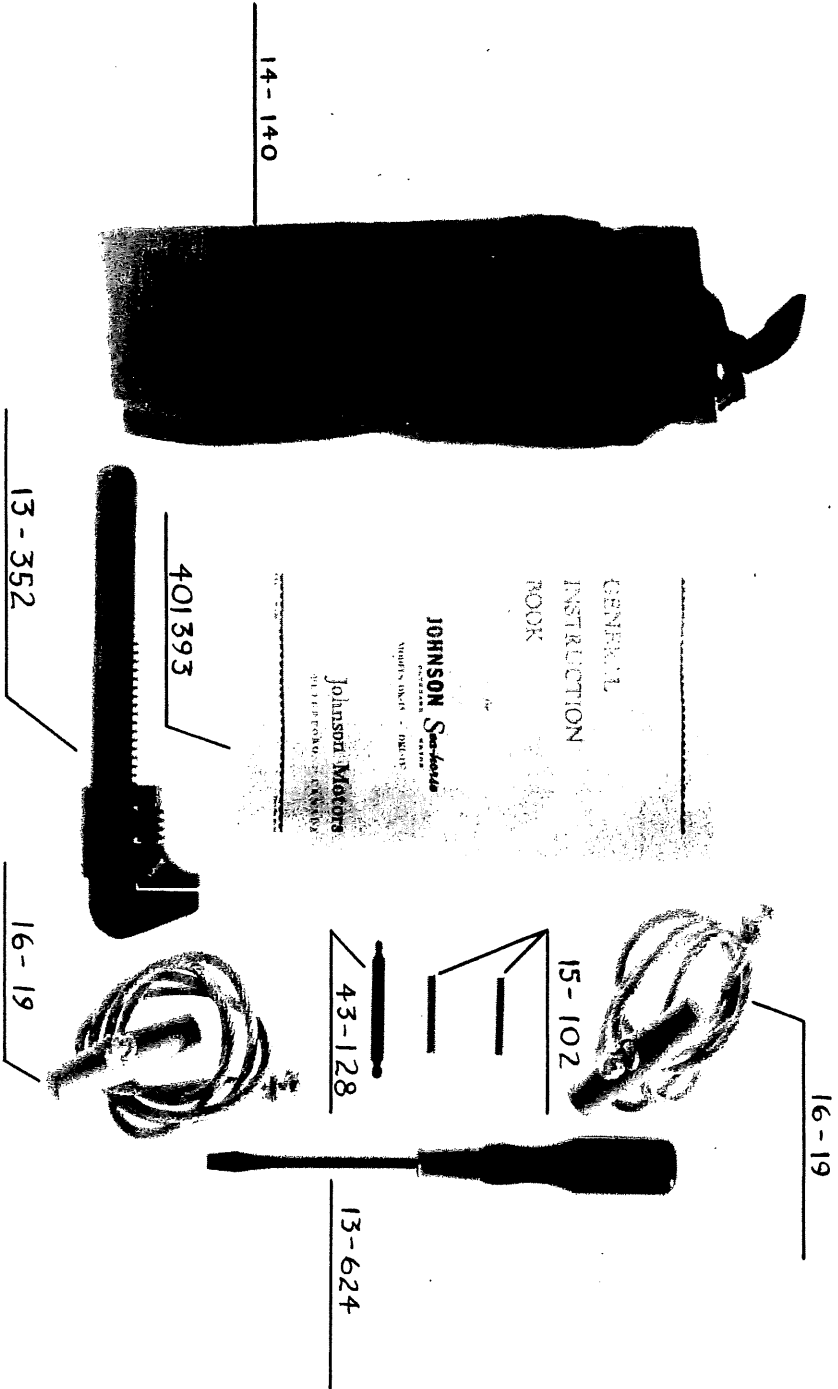
402-53

RING 33-53



34-11

TOOL KIT FOR OK-15



Complete Tool Kit 485731

ALWAYS GIVE PART NUMBER AND MOTOR NUMBER

O.K PARTS LIST - Continued

Part No.	No. Pieces per Unit	Description
14-46	1	Screen and bushing
14-140	1	Tool bag (only)
14-306	1	Rubber grip for steering handle
15-26	2	Gasket - exhaust casting to cylinder
15-34	1	Lockwasher - flywheel nut
15-40	2	Screw - muffler to cylinder - short
15-41	2	Cotter pin - wrist pin
15-42	3	Screw - cover plate
15-44	4	Core Plug - cylinder
15-59	4	Rivet for thrust socket lining
15-61	1	Washer for thrust socket bolt
15-62	1	Nut for thrust socket bolt
15-63	2	Thrust Washer - swivel bracket
15-80	1	Bearing lower pinion shaft
15-81	1	Thrust washer - bevel pinion
15-83	1	Retainer - bevel pinion pin
15-84	1	Cotter pin - propeller nut
15-87	1	Cone - friction clutch
15-88	1	Spring - friction clutch
15-89	1	Cover Plate - gear
15-92	1	Key - bevel gear
15-101	1	Propeller nut
15-102	1	Shear Pin - propeller (OK-15)
15-109	1-3 as req.	Shim for lower pinion shaft bearing
15-111	4	Stud - crankcase head - long
15-113	2	Key for flywheel
15-115	2	Thrust washer for piston
15-129	2	Wrist pin
15-147	1	Journal bearing - lower
15-148	4	Piston ring
15-149	5	Stud - cylinder to crankcase
15-151	1	Shim for conn. rod
15-155	1	Pin - bevel pinion
15-194	1	Nut for crankshaft
16-19	1	Starter rope
16-46	1	Feed line assembly (OK-60, OK-75, OK-10, OK-15)
16-101	1	Piston and conn. rod
16-112	2	Piston
16-113	2	Connecting rod assembly
16-136	1	Bracket and spring assembly for timing
17-138	4	Elbow - cylinder - water tube
17-139	12	Nut - water pipe
17-207	2	Nut for muffler bolt - port side
18-183	1	Steering handle assembly
19-68	1	Pin - adapter coupling
19-130	1	Plain washer - tilting shaft nut
21-62	1	Thrust washer - pinion shaft - upper
21-88	1	Spline coupling
21-173	1	Pin - spline coupling
21-215	2	Stud - c'case head - short
21-283	2	Screw - water tube clip
21-359	20	Screw - muffler casting to shell
21-601	2	Screw - swivel bracket - hex head
25-44	1	Stud - gearcase - front
25-74	1	Screw - filler block
27-88	2	Elbow - oil line
27-182	2	Thrust washer - stern bracket
27-220	1	Bevel Pinion
27-221	1	Bevel Gear
28-53	1	Ball bearing
28-93	1	Tilting shaft assembly (OK-60,-75,-10,-15)
28-106	1	Bolt - thrust socket
28-168	2	Clampscrew (OK-15)

ORDER ALL PARTS FROM YOUR DEALER OR NEAREST PARTS DISTRIBUTOR

ALWAYS GIVE PART NUMBER AND MOTOR NUMBER

O.K PARTS LIST - Continued

Part No.	No. Pieces per Unit	Description
34-34	1	Outlet water tube complete (port) OK-55 only
34-35	1	Clutch comp. with gear and prop. shaft
34-37	1	Gearcase and bearing assembly
34-40	1	Crankcase assembly
34-41	1	Gas line complete (OK-55)
34-42	1	Tool bag complete with tools (OK-55,-60,-75,-10)
34-43	1	Cylinder and core plug - star
34-44	1	Cylinder and core plug - port
34-46	1	Water tube - gearcase to tee complete (OK-55,-60,-75,-10)
34-47	1	Driveshaft assembly (OKL-55)
34-49	1	Water tube - gearcase to tee complete (OKL-55)
34-50	1	Gearcase cap complete
34-51	1	Pump housing complete with screen
34-52	1	Oil pipe assembly
34-62	1	Muffler shell and exhaust pipe (OK-60,-75,-10)
34-63	1	Muffler assembly (OK-60,-75,-10)
34-65	1	Muffler shell and pipe assembly (OKL-60,-75,-10)
34-66	1	Muffler assembly (OKL-60,-75,-10)
34-71	1	Lower unit complete (OK-60,-75,-10)
34-72	1	Lower unit complete (OKL-60,-75,-10)
34-73	1	Water tube - outlet - star (OK-60,-75,-10)
34-74	1	Water tube - outlet - port (OK-60,-75,-10)
34-77	1	Gasoline tank
34-78	1	Muffler complete (OK-60, OK-75, OK-10)
34-79	1	Muffler assembly complete (OKL-60, OKL-75,-10)
37-56	2	Screw - steering handle cap
37-64	1	Nut - tilting shaft
43-128	1	Feller gauge
51-104	4	Screw - tank to cylinder
51-115	8	Washer - cylinder base stud.
51-137	20	Lockwasher - exhaust casting to muffler screws
71-31	1	Screw for mounting breaker
71-45	1	Screw for spring mounting
71-49	1	Washer for contact screw
71-60	1	Terminal for cutout lead
71-66	2	Insulation washer for contact screw
71-471	3	Nut for screw 71-45 and contact point screw - cutout terminal screw
71-610	1	Washer for breaker mounting screw
71-765	3	Screw for quadrant
71-783	1	Insulation tubing for cutout lead
71-809	1	Timing lever casting
71-915	2	Lockwasher - water tube clip screw
71-939	4	Screw for mounting coil to plate
71-1048	1	Washer for breaker post
71-1054	3	Drive screw for mounting cam
71-1126	1	Cam
71-1128	1	Breaker post
71-1146	1	Contact screw and point
71-1235	1	Screw for armature clamp
71-1274	1	Locknut for contact screw
71-1369	1	Felt pad for condenser pocket
71-1420	1	Grommet - rubber
72-730	1	Stop button assembly
72-736	1	Breaker arm and spring assembly
72-781	1	Breaker plate and point assembly
72-851	1	Coil assembly with heels
72-855	1	Heel assembly - right hand
72-856	1	Heel assembly - left hand
72-864	1	Condenser complete
72-892	2	Cutout lead assembly
72-940	1	Dome assembly
72-941	1	Magneto Complete
72-942	1	Armature plate and clampscrew only
72-943	1	Armature plate assembly complete
76-112	2	Spark Plug - Champion
402-53	1	Heavy duty prop. (OK-55-60-75-10)

ORDER ALL PARTS FROM YOUR DEALER OR NEAREST PARTS DISTRIBUTOR

JOHNSON PARTS DISTRIBUTORS AND REPAIR DEPOTS

BRITISH COLUMBIA

<u>VANCOUVER</u> Victoria	HOFFARS LIMITED (Parts Distributor) Angus Marine Sales and Service	1790 GEORGIA ST. W. 564 Yates Street
------------------------------	---	---

ALBERTA

Banff	Bow River Boat House Limited	
Calgary	Pilling Sales	2505 4th Street, West
EDMONTON	THE J. E. NIX CO. (Parts Distributor)	10030-109th STREET

SASKATCHEWAN

<u>Beauval</u>	W. H. Sandherr	
Fort Qu'Appelle	Dunk the Druggist	
Prince Albert	Kernaghan Hardware Limited	
Regina	Rogers Machine Works	1934 Broad Street
SASKATOON	ASHMAN ELECTRIC (Parts Distributor)	261 THIRD AVENUE S.

MANITOBA

<u>Brandon</u>	Breen Motors Brandon, Limited	
The Pas	Woodwork and Machine Shop	
WINNIPEG	BREEN MOTOR CO. (Parts Distributor)	247 MAIN STREET

ONTARIO

<u>Barrie</u>	W. L. Brennan	
"	Harold Hill	
Belleville	Russell Products Co.	201 Coleman Street
Bobcaygeon	Gordon Boat Works	
Brantford	Eagle Place Bicycle and Supply	
Brockville	Henry's Machine Shop	
"	Fred Gilbert Boat Works	
Campbellford	C. H. Davidson	
Chatham	Norton Smith Cycle	
Churchill	Burke's Garage	
Clinton	Ellwood Epps Sporting Goods	
Cobourg	Wilson Motors	
Cornwall	Snetsinger's Hardware	137 Pitt Street
Desbarats	Desbarats Garage	
Dorset	Wallace Matthews	
Dryden	District Hardware Electric	

ONTARIO - continued

<u>Sharbot Lake</u>	J. R. Simonett	
Simcoe	Giles Marine and Engine Service	26 Sydenham Street
Sioux Lookout	Fuller's Service Station	
Smiths Falls	Rideau Marine Depot	
Sturgeon Falls	Archie Merchant	
Sudbury	Sudbury Boat and Canoe Co.	435 John Street
TORONTO	A. E. BROWN MOTORS(Parts Distributor)	61 MAIN STREET
TORONTO	CURREY BULMER OUTBOARD CO. (Parts Distributor)	852 EGLINTON AVE. W
Toronto	Ainsworth Distributors Ltd.	2391 Yonge Street
"	Can. Marine Equipment	155 King Street West
"	Midtown Tire Ltd.	100 Davenport Road
Trent River	Openshaw and Son	
Trenton	Goodsell Motor Sales	
Tweed	C. R. Maguire	
Windsor	Morris Willard Battery Service	542 Chilver Road

QUEBEC

<u>Bourlamaque</u>	Val d'Or Lamacque Outboard Motor Repair Shop	
Chateauguay Basin	Garage Handfield	
MONTREAL	OMER DESERRES LTD(Parts Distributor)	1406 ST. DENIS
MONTREAL	P. A. TREMBLAY (Parts Distributor)	4316 ST. CATHERINE
Montreal	Federal Marine Co.	814 St. James St.
Montreal	Verdun Outboard Supplies	5129 Wellington St.
Noranda	C. O. Johnson	
North Hatley	Hatley Craft Ltd.	
QUEBEC	JOS. BASTIEN AND FILS (Parts Distributor)	466 ST. VALLIER
Ste. Anne de Bellevue	Ste. Anne's Marine Service	
St. Eustache sur le Lac	H. May Hardware	
Senneterre	J. R. Plamondon	
Three Rivers	Paul E. Bergeron Mach.	1624 St. Philippe

NEW BRUNSWICK

<u>Campbellton</u>	S. C. Kelly	3 Gerrard Street
Fredericton	Capital Garage	Campbell Street
Moncton	R. K. Buzzell	21 Bonaccord Street
SAINT JOHN	L. E. WHITTAKER CO.(Parts Distributor)	83 PRINCE WILLIAM S'

NOVA SCOTIA

<u>HALIFAX</u>	CLEVE'S SPORTING GOODS (Parts Distributor)	2 ARGYLE STREET
----------------	---	-----------------

NEWFOUNDLAND

<u>ST. JOHN'S</u>	CHARLES R. BELL LTD. (Parts Distributor)	133 WATER STREET
-------------------	---	------------------