

35D13 Applications

**This Parts Book Covers the Following
Motors Manufactured by Gale Products**

Montgomery Ward "Sea King"

GG-8836A	35hp	1960	35D13
----------	------	------	-------

Gale Products "Buccaneer"

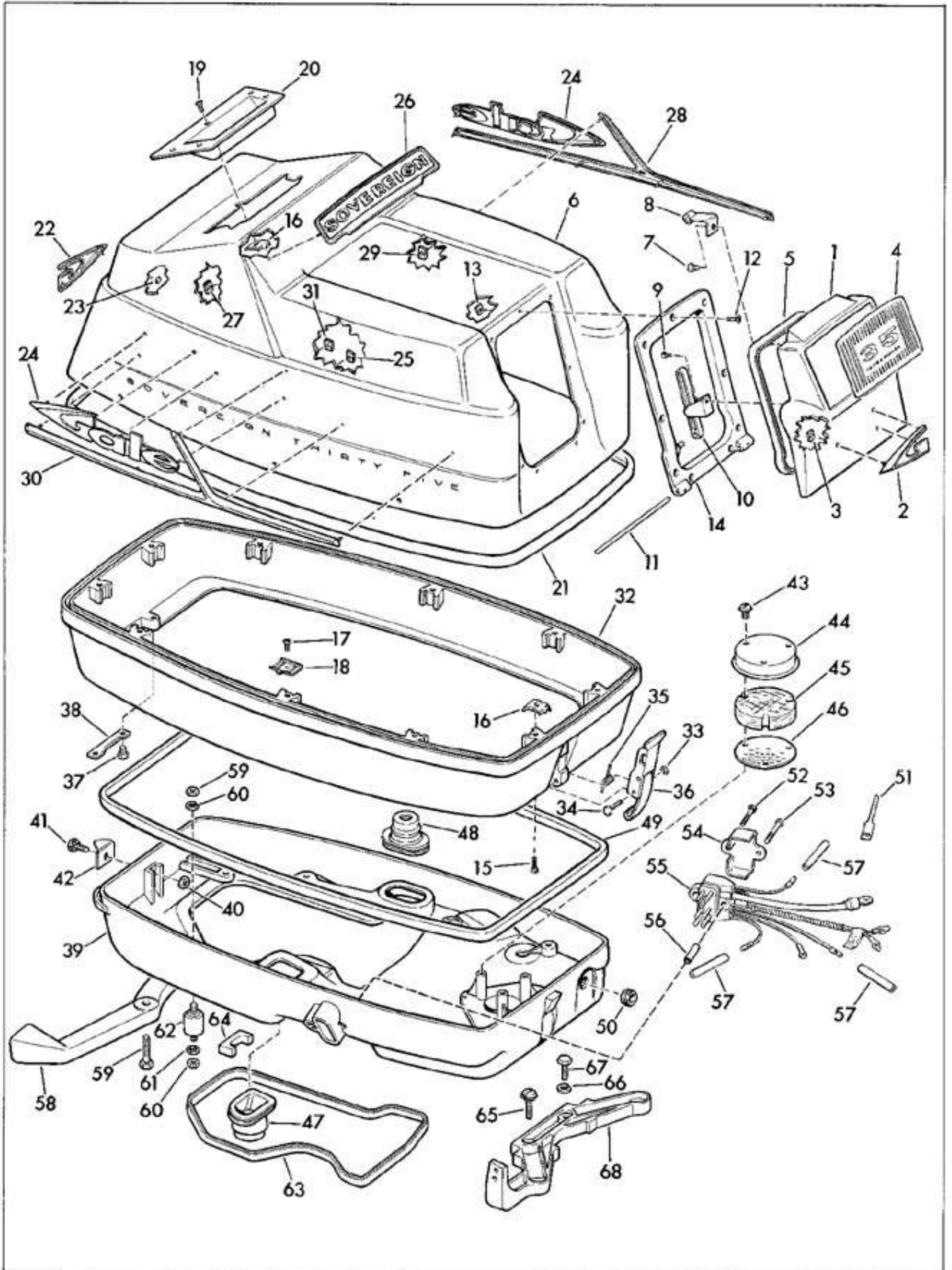
35D13B	35hp	1960	35D13
--------	------	------	-------

TRIM-35D13B

Ref. No.	Part No.	Description	Qty.	Ref. No.	Part No.	Description	Qty.
*	593093	SHROUD AND TRANSFER ASSEMBLY - complete		28	592942	MOTOR COVER ASSEMBLY - lower	1
1	593098	FRONT DOOR AND TRANSFER ASSY.	1	29	203688	NUT - hook to cover screw	1
2	553922	SEAL - front door	1	30	307029	SCREW - hook to lower cover	1
3	593124	SHROUD AND TRANSFER ASSEMBLY - upper	1	31	307336	HOOK - lower cover - rear	1
4	305685	SCREW - roller latch to door	1	32	301989	SCREW - cover - cable opening	1
5	377660	ROLLER LATCH - front door	1	33	305421	COVER - cable opening - lower cover	1
6	307426	SCREW - hinge bracket to front door	1	34	303311	SCREW - silencer cover	3
7	378033	HINGE SLIDE AND BRACKET	1	35	305376	COVER - silencer to lower cover	1
8	306106	HINGE PIN - door to frame	2	36	305375	SILENCER PAD - air intake	1
9	204461	SCREW - frame to fastener	9	37	305377	PLATE - silencer to lower cover	1
10	306630	FASTENER - frame to shroud	9	38	306222	GROMMET - shifter lock to cover	1
11	553870	FRAME - front door, shroud	1	39	304019	GROMMET - control shaft to cover	1
12	553814	SCREW - fastener, shroud upper to lower	2	40	553785	SEAL - lower cover to lower shroud	1
13	204472	FASTENER - shroud and tilt handle	7	41	203660	COVER - shorting switch	1
14	302750	SCREW - fastener to shroud	8	42	203658	NUT - shorting switch	1
15	553796	FASTENER - upper to lower shroud	8	43	377289	SHORTING SWITCH	1
16	553774	SCREW - tilt handle to shroud	7	44	303806	TUBING - insulation	3
17	553749	TILT HANDLE - shroud	1	45	592892	CARRYING HANDLE ASSEMBLY	1
18	553815	SEAL - upper to lower shroud	1	46	305282	SCREW - carrying handle	2
19	593077	EMBLEM-"G" - rear	1	47	302103	NUT - rubber mount	8
20	305670	FASTENER - emblem - rear	3	48	306799	LOCKWASHER - rubber mount	8
21	593163	SHROUD - lower	1	49	377582	RUBBER MOUNT - lower motor cover support	4
22	305530	LOCKRING - shroud latch	1	50	553784	SEAL - large - lower motor cover to plate	1
23	305529	PIN - shroud latch	1	51	553770	SEAL - small - lower motor cover to plate	1
24	305531	SPRING - shroud latch	1	52	307468	SCREW - "sems" - bracket to exhaust tube - starboard	1
25	377240	COVER LATCH	1	53	306488	LOCKWASHER - lower cover bracket	1
26	302416	SCREW - shroud to bracket	2	54	300646	SCREW - lower bracket mounting - port	1
27	307291	BRACKET - shroud mounting to hook	1	55	553752	MOUNTING BRACKET -lower front motor cover	1
				*	593084	DECAL SET	1

*Not Shown

TRIM-35DE13B

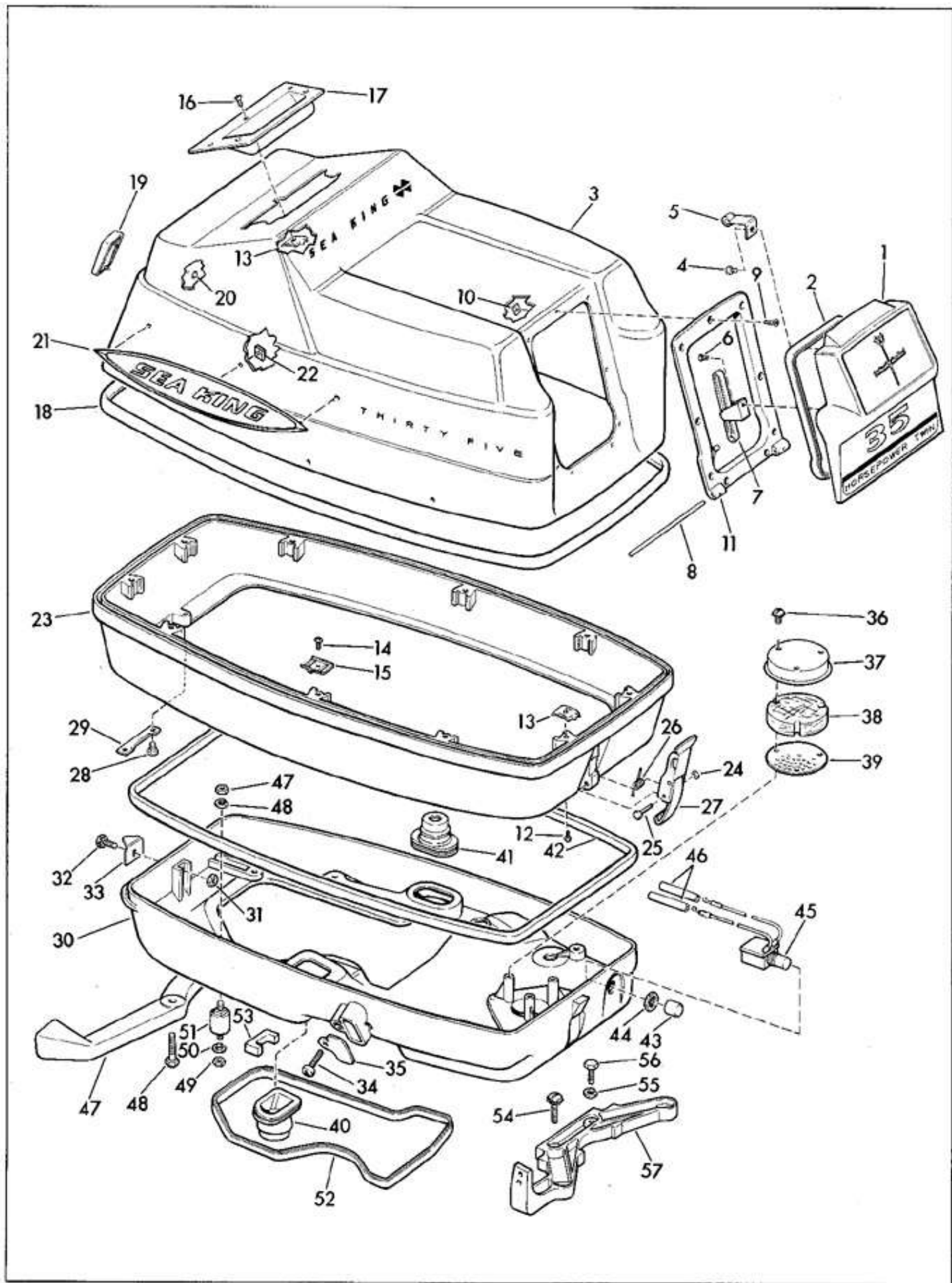


TRIM-35D13W

Ref. No.	Part No.	Description	Qty.	Ref. No.	Part No.	Description	Qty.
*	593156	SHROUD AND TRANSFER ASSEMBLY - complete . . .	1	30	592942	MOTOR COVER ASSEMBLY - lower	1
1	593154	DOOR AND TRANSFER - front shroud	1	31	203688	NUT - hook to cover screw.	1
2	553922	SEAL - front door	1	32	307029	SCREW - hook to lower cover.	1
3	593155	SHROUD AND TRANSFER ASSEMBLY - upper	1	33	307336	HOOK - lower cover - rear	1
4	305685	SCREW - roller latch to door	1	34	301989	SCREW - cover - cable opening.	1
5	377660	ROLLER LATCH - front door	1	35	305421	COVER - cable opening - lower cover	1
6	307426	SCREW - hinge bracket to front door	1	36	303311	SCREW - silencer cover	3
7	378033	HINGE SLIDE & BRKT.	1	37	305376	COVER - silencer to lower cover	1
8	306106	HINGE PIN - door to frame	2	38	305375	SILENCER PAD - air intake	1
9	204461	SCREW - frame to fastener	9	39	305377	PLATE - silencer to lower cover	1
10	306630	FASTENER - frame to shroud	9	40	306222	GROMMET - shifter lock to cover	1
11	553870	FRAME - front door, shroud.	1	41	304019	GROMMET - control shaft to cover	1
12	553814	SCREW - fastener, shroud upper to lower	2	42	553785	SEAL - lower cover to lower shroud	1
13	204472	FASTENER - shroud and tilt handle	7	43	203660	COVER - shorting switch.	1
14	302750	SCREW - fastener to shroud	8	44	203658	NUT - shorting switch	1
15	553796	FASTENER - upper to lower shroud	8	45	377289	SHORTING SWITCH.	1
16	553774	SCREW - tilt handle to shroud.	7	46	303806	TUBING - insulation	3
17	553749	TILT HANDLE - shroud	1	47	592892	CARRYING HANDLE ASSEMBLY	1
18	553815	SEAL - upper to lower shroud	1	48	305282	SCREW - carrying handle	2
19	593164	MEDALLION AND FASTENER ASSEMBLY	1	49	302103	NUT - rubber mount	8
20	305670	FASTENER	2	50	306799	LOCKWASHER - rubber mount	8
21	593165	NAMEPLATE AND FASTENER ASSEMBLY	2	51	377582	RUBBER MOUNT - lower motor cover support	4
22	305670	FASTENER	3	52	553784	SEAL - large - lower motor cover to plate	1
23	553793	SHROUD - lower	1	53	553770	SEAL - small - lower motor cover to plate	1
24	305530	LOCKRING - shroud latch	1	54	307468	SCREW - "sems" - brkt. to exhaust tube - starboard	1
25	305529	PIN - shroud latch	1	55	306488	LOCKWASHER - lower cover bracket	1
26	305531	SPRING - shroud latch	1	56	300646	SCREW - lower bracket mounting - port	1
27	377240	COVER LATCH	1	57	553752	BRACKET - lower cover mounting	1
28	302416	SCREW - shroud to bracket	2	*	593153	DECAL SET	1
29	307291	BRACKET - shroud mounting to hook	1				

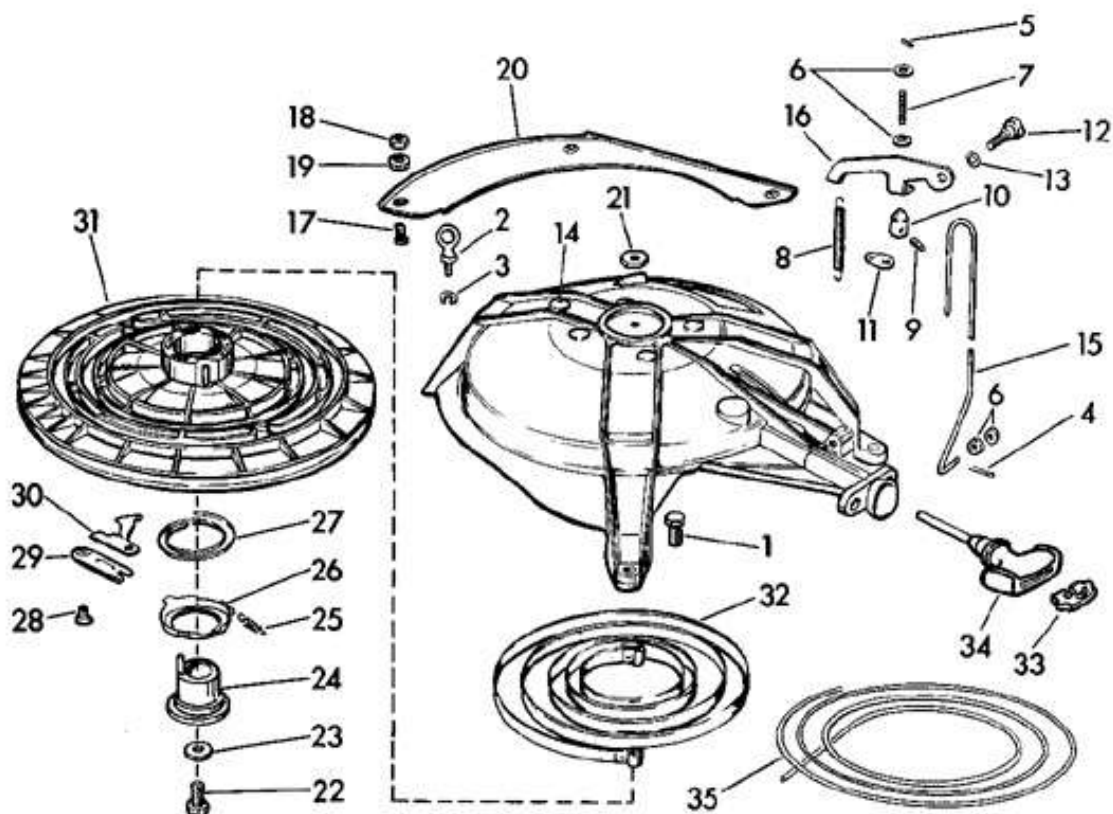
*Not Shown

TRIM-35D13W



STARTER

35D13B



Ref. No.	Part No.	Description	Qty.	Ref. No.	Part No.	Description	Qty.
1	303591	SCREW - starter housing to bracket	2	17	306532	SCREW - guard to starter housing	2
2	305691	EYE BOLT - starter housing to cylinder	1	18	304854	NUT - guard to starter housing	2
3	306325	LOCKWASHER - eye bolt	1	19	304510	WASHER - flywheel guard to starter housing	2
4	306499	COTTER PIN - locking lever rod	1	20	304770	GUARD - H.T. leads - starter housing	1
5	307565	PIN - rod locking lever	3	21	302103	NUT - spindle screw	1
6	306544	WASHER - locking lever rod	4	22	306284	SCREW - spindle to starter housing	1
7	303051	SPRING - link to locking lever	1	23	306283	WASHER - starter spindle	1
8	304224	SPRING - link to starter housing	1	24	276643	SPINDLE AND PIN	1
9	303245	SCREW - collar - link	1	25	202155	SPRING - equalizer cup	3
10	303244	COLLAR - link - starter lock	1	26	202114	EQUALIZER CUP	1
11	303033	SPRING ANCHOR - locking lever rod	1	27	302222	FRICTION SPRING - starter	1
12	303247	SCREW - locking lever	1	28	307163	SCREW - retainer - starter pawl	3
13	302473	BOW WASHER - lever to housing	1	29	202317	RETAINER - starter pawl	3
14	378085	STARTER HOUSING AND PIN	1	30	202470	STARTER PAWL	3
15	304808	ROD - locking lever	1	31	376848	STARTER PULLEY	1
16	304807	LOCKING LEVER - starter housing	1	32	375836	STARTER SPRING	1
				33	304325	ANCHOR - rope to handle	1
				34	305381	HANDLE - starter	1
				35	305000	ROPE - starter	1

MAGNETO

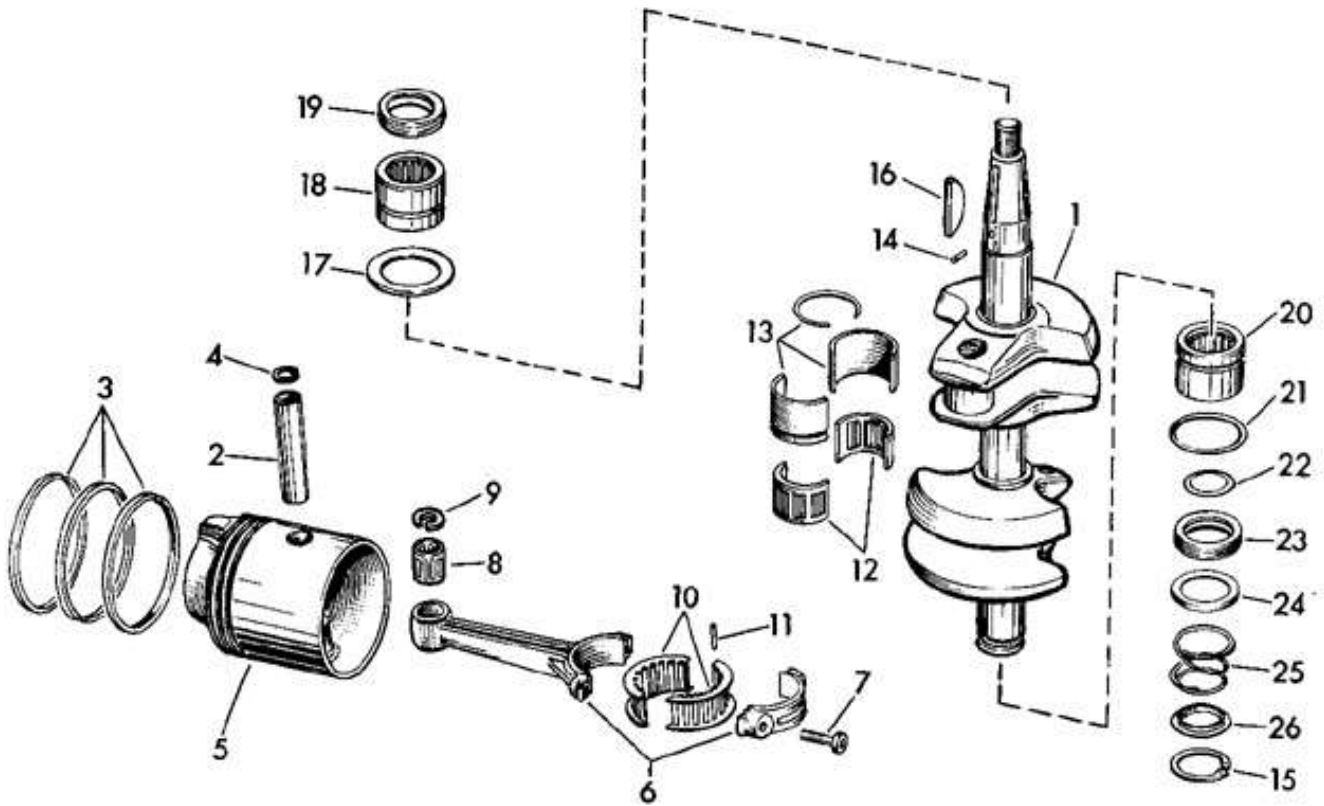
	Ref. No.	Part No.	Description	Qty.
	1	305984	NUT	1
	2	302468	SCREW	3
	3	202111	RATCHET - starter	1
		580282	FLYWHEEL & RING GEAR	1
	4	303698	SCREW	8
	5	580280	FLYWHEEL & COVER ASSEMBLY	1
	6	510297	SCREW	2
	7	510296	COVER - inspection hole	1
	8	510320	RING	1
	9	510169	MAGNETO CAM	1
	10	304656	SPRING	1
	11	300345	LOCKWASHER	1
	12	200932	CLAMP	1
	13	303741	CLAMP	1
	14	303737	SCREW	2
	15	304591	STOP - shifter lock	1
	16	307596	WASHER	1
	17	305455	CAM - throttle control	1
	18	302104	SCREW	2
	19	376902	ANCHOR AND PIN	1
	20	302812	SCREW	1
	21	306546	LOCKWASHER	1
	22	304219	LINK - lever control to anchor and pin	1
	23	304352	SLEEVE - anchor pin	1
	24	302751	SCREW	1
	*	580307	ARMATURE PLATE ASSY.	1
	25	306547	WASHER	2
	26	580277	LEAD - shorting wire	1
	27	510371	CLAMP	1
	28	510192	SCREW	2
	29	510286	SCREW	2
	30	306311	LOCKWASHER	2
	31	510397	SCREW	4
	32	580197	COIL AND LAMINATION	2
	33	510193	SCREW	2
	34	510190	CLAMP	1
	35	510396	MARKER - H. T. lead, upper	1
	36	580135	LEAD - high tension, upper	1
	37	510232	COVER - spark plug, rubber	1
	38	510231	TERMINAL - spark plug lead spring	1
	39	580146	LEAD - high tension, lower (incl. items 37 and 38)	1
	40	510289	GROMMET	2
	41	510194	SCREW	2
	42	510278	SCREW	2
	43	510208	BOW WASHER	2
	44	510185	ECCENTRIC SCREW	2
	45	580148	BREAKER ASSEMBLY	2
	46	307594	SPRING	1
	47	510204	CLIP - breaker spring	1
	48	510193	SCREW	2
	49	510173	CONDENSER	2
	50	510189	WICK - oiler	1
	51	510188	CLIP - oiler	1
	52	580271	ARMATURE PLATE	1

*Not Shown

INDENTED DESCRIPTIONS INDICATE THE PARTS ARE INCLUDED IN THE PRECEDING ASSEMBLY

CRANKSHAFT AND PISTON

35D13

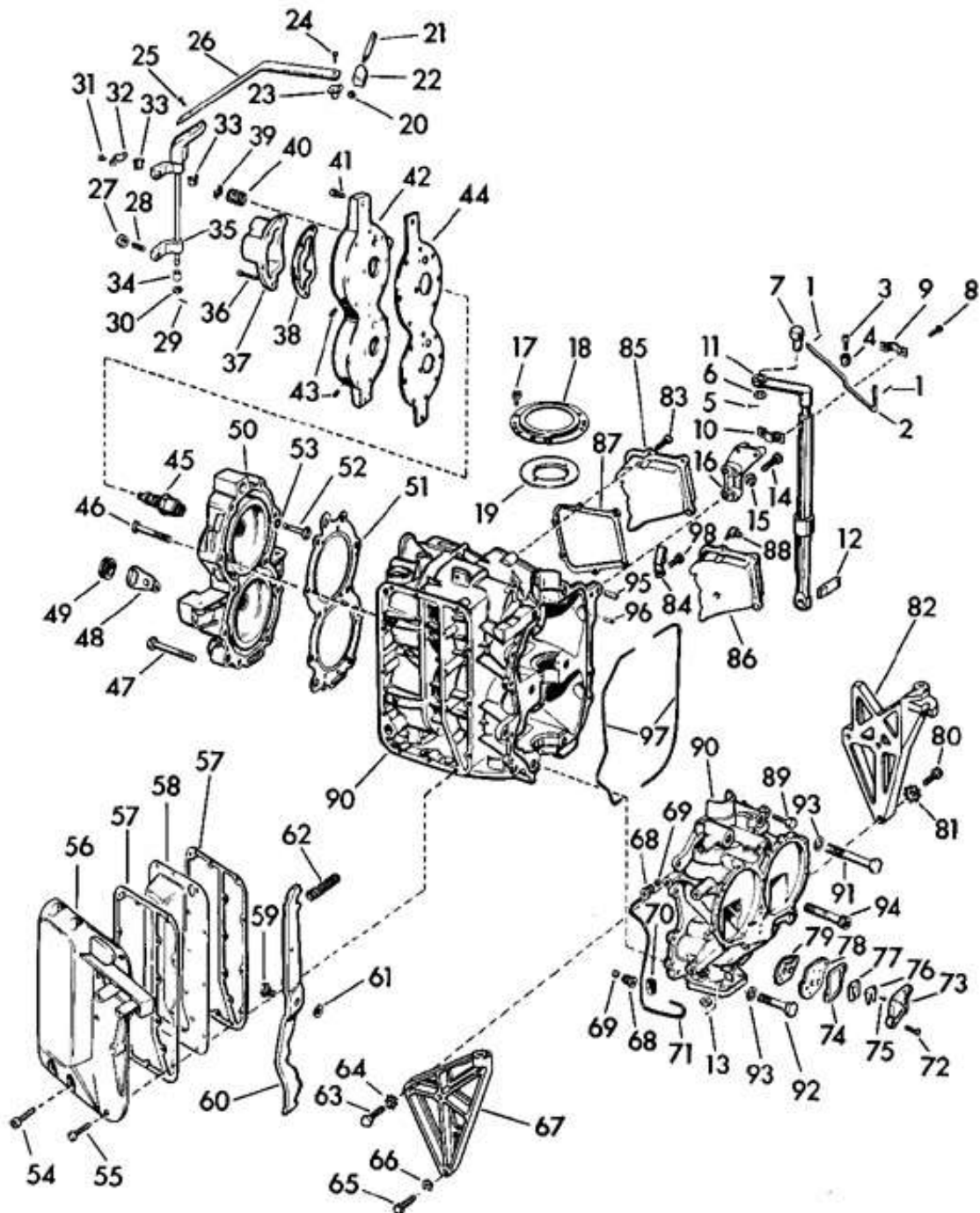


Ref. No.	Part No.	Description	Qty.	Ref. No.	Part No.	Description	Qty.
1	553904	CRANKSHAFT	1	13	302585	SPLIT SLEEVE - center bearing	1
*	377666	PISTON & CONNECTING ROD ASSEMBLY	2	14	302578	PIN - cam to crankshaft	1
2	304713	WRIST PIN	1	15	302536	RETAINING RING	1
3	304712	PISTON RING	3	16	306253	KEY - crankshaft	1
4	302577	RETAINING RING - wrist pin	2	17	304697	WASHER	1
5	377409	PISTON & DOWEL PIN	1	18	377528	ROLLER BEARING & SEAL ASSY. - upper journal	1
6	377796	CONNECTING ROD, NEEDLE BRG. & SNAP RING ASSY.	1	19	305987	SEAL - upper journal	1
7	553761	SCREW	2	20	375763	ROLLER BEARING - lower journal	1
8	378047	NEEDLE BEARING	1	21	302537	"O" RING - lower journal seal	1
9	306251	SNAP RING	2	22	305098	QUAD RING - carbon seal to crankshaft	1
10	306250	RETAINER - connecting rod bearing	32	23	302538	SEAL - lower bearing	1
11	378154	NEEDLE - connecting rod bearing	2	24	302594	RETAINING WASHER	1
12	378155	RETAINER & NEEDLE BEARING - center	2	25	302539	SPRING - seal	1
				26	303801	RETAINING WASHER	1

*Not Shown

INDENTED DESCRIPTIONS INDICATE THE PARTS ARE INCLUDED IN THE PRECEDING ASSEMBLY
35-3

POWER HEAD



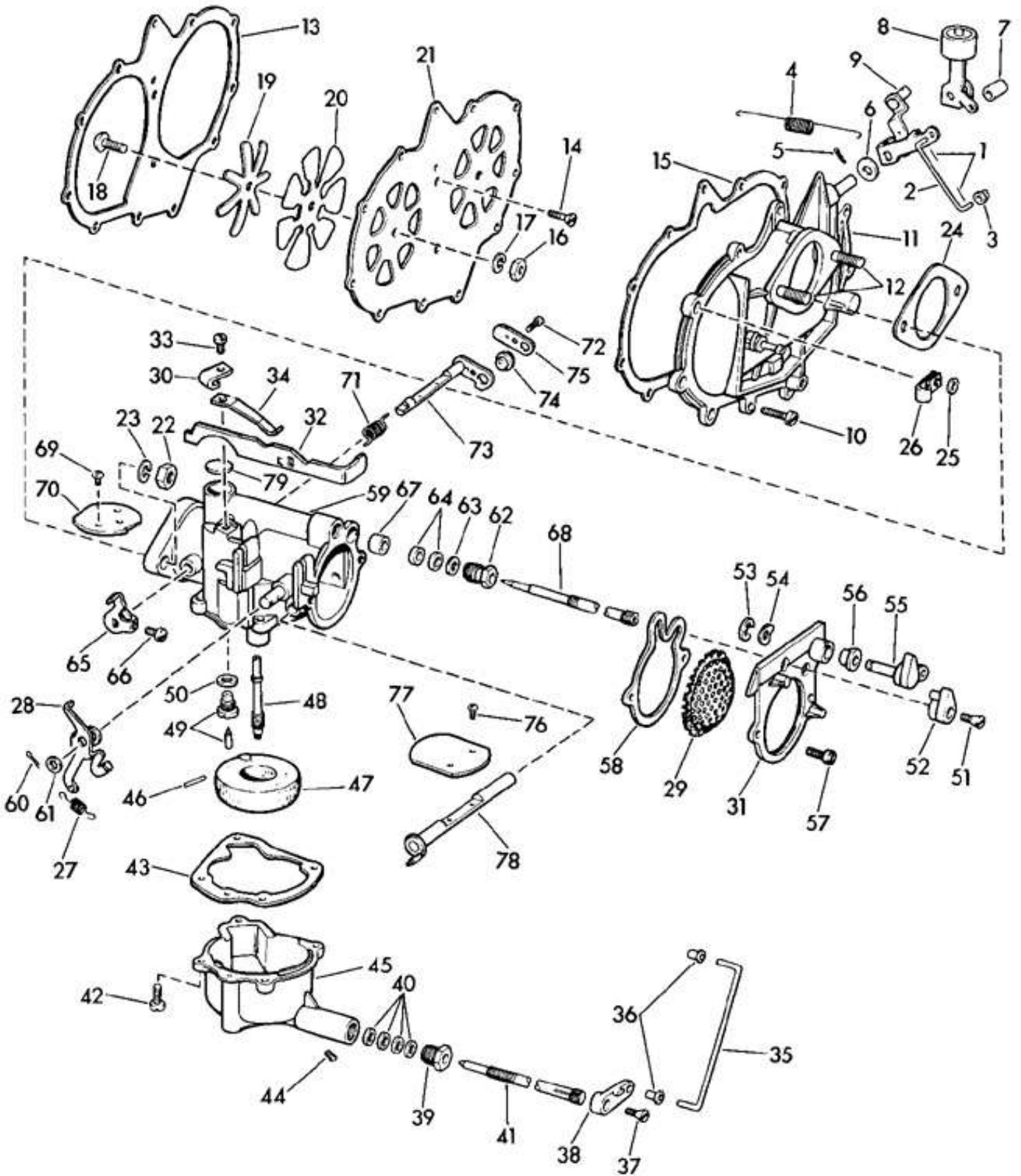
POWERHEAD

35D13

Ref. No.	Part No.	Description	Qty.	Ref. No.	Part No.	Description	Qty.
1	307565	PIN - throttle control rod . .	3	48	304763	ANCHOR - ignition leads . .	1
2	304225	ROD - throttle control rod . .	1	49	300454	GROMMET - ignition leads . .	1
3	304221	SCREW	1	50	592951	CYLINDER HEAD	1
4	304222	COLLAR - throttle control rod	1	51	304720	GASKET - cylinder head . . .	1
5	303049	COTTER PIN	1	52	377075	VALVE ASSEMBLY - compression release	2
6	551953	WASHER	1	53	304598	"O" RING - release valve . .	1
7	304226	PIVOT PIN - lever control . .	1	54	306049	SCREW	1
8	302948	SCREW	2	55	130618	SCREW	15
9	305609	BEARING CLAMP - outer . .	1	56	305611	COVER - exhaust, outer . . .	1
10	303109	BEARING CLAMP - inner . .	1	57	304762	GASKET - exhaust cover . .	2
11	304198	LEVER - control	1	58	304761	COVER - exhaust, inner . . .	1
12	304155	PIN - throttle gear to lever .	1	59	302592	SCREW	1
13	306320	NUT - exhaust tube to cyl. .	4	60	305355	SHIFTER LOCK	1
14	306434	SCREW	2	61	304051	WASHER	1
15	302376	LOCKWASHER	2	62	302587	SPRING - shifter lock	1
16	304941	BRACKET - control, lever to cylinder	1	63	302030	SCREW - upper	3
17	304442	SCREW	4	64	306488	LOCKWASHER	2
18	303278	SUPPORT - armature plate . .	1	65	302030	SCREW - bottom, to crankcase, starboard	1
19	303277	RETAINING RING - armature plate	1	66	306325	LOCKWASHER	1
20	303715	WASHER	1	67	305078	BRACKET - starter mount, starboard	1
21	304740	SHAFT - guide to starter housing	1	68	307564	PACKING NUT - oil line . . .	2
22	304738	GUIDE - valve actuating arm	1	69	306329	GLAND - oil line	2
23	377064	FOLLOWER	1	70	305980	SPACER - oil line	1
24	304583	SCREW	1	71	302630	OIL LINE	1
25	303737	SCREW	2	72	305346	SCREW	2
26	304751	ARM - valve actuating	1	73	302033	COVER - leaf valve	1
27	304753	NUT - adjusting screw	2	74	302032	GASKET - leaf valve cover . .	1
28	304754	SCREW	2	75	303761	SCREW	2
29	300723	COTTER PIN	1	76	304655	PLATE - leaf valve	1
30	306439	WASHER	1	77	302031	LEAF VALVE - c'case drain . .	1
31	303737	SCREW	2	78	377196	LEAF PLATE AND SCREEN . . .	1
32	304755	BRACKET - valve lever	1	79	305345	GASKET - leaf plate and screen to crankcase	1
33	304749	BUSHING - upper, valve lever	2	80	302030	SCREW	3
34	304750	BUSHING - lower, valve lever	1	81	306488	LOCKWASHER	3
35	376853	LEVER ASSEMBLY - valve actuating	1	82	305077	BRACKET - starter mount, port	1
36	306440	SCREW	10	83	306010	SCREW	11
37	306280	CHAMBER - upper, compression release	2	84	304790	CLAMP - high tension leads .	1
38	304726	GASKET - upper chamber . . .	2	85	305371	COVER - by-pass, upper . . .	1
39	304706	RETAINER - valve spring . . .	2	86	305370	COVER - by-pass, lower . . .	1
40	304705	SPRING - release valve	2	87	304784	GASKET - by-pass, cover . . .	2
41	306434	SCREW	10	88	306266	ELBOW - lower by-pass cover .	1
42	377111	CHAMBER - lower, compression release	1	89	300646	SCREW	8
43	303245	PLUG - compression release chamber	2	90	592886	CYLINDER AND CRANKCASE ASSEMBLY	1
44	304724	GASKET - lower chamber to cylinder head	1	91	301431	SCREW - top	2
45	378101	SPARK PLUG AND GASKET - champion J4JM	2	92	302600	SCREW - bottom	2
46	305027	SCREW	9	93	300343	WASHER	4
47	303782	SCREW - long	1	94	302579	SCREW - center	2
				95	300402	PIN - taper	2
				96	304178	DOWEL - bearing, center and upper	3
				97	302622	SEAL - cylinder to crankcase, port	2
				98	307608	SCREW	1

INDENTED DESCRIPTIONS INDICATE THE PARTS ARE INCLUDED IN THE PRECEDING ASSEMBLY

CARBURETOR



CARBURETOR

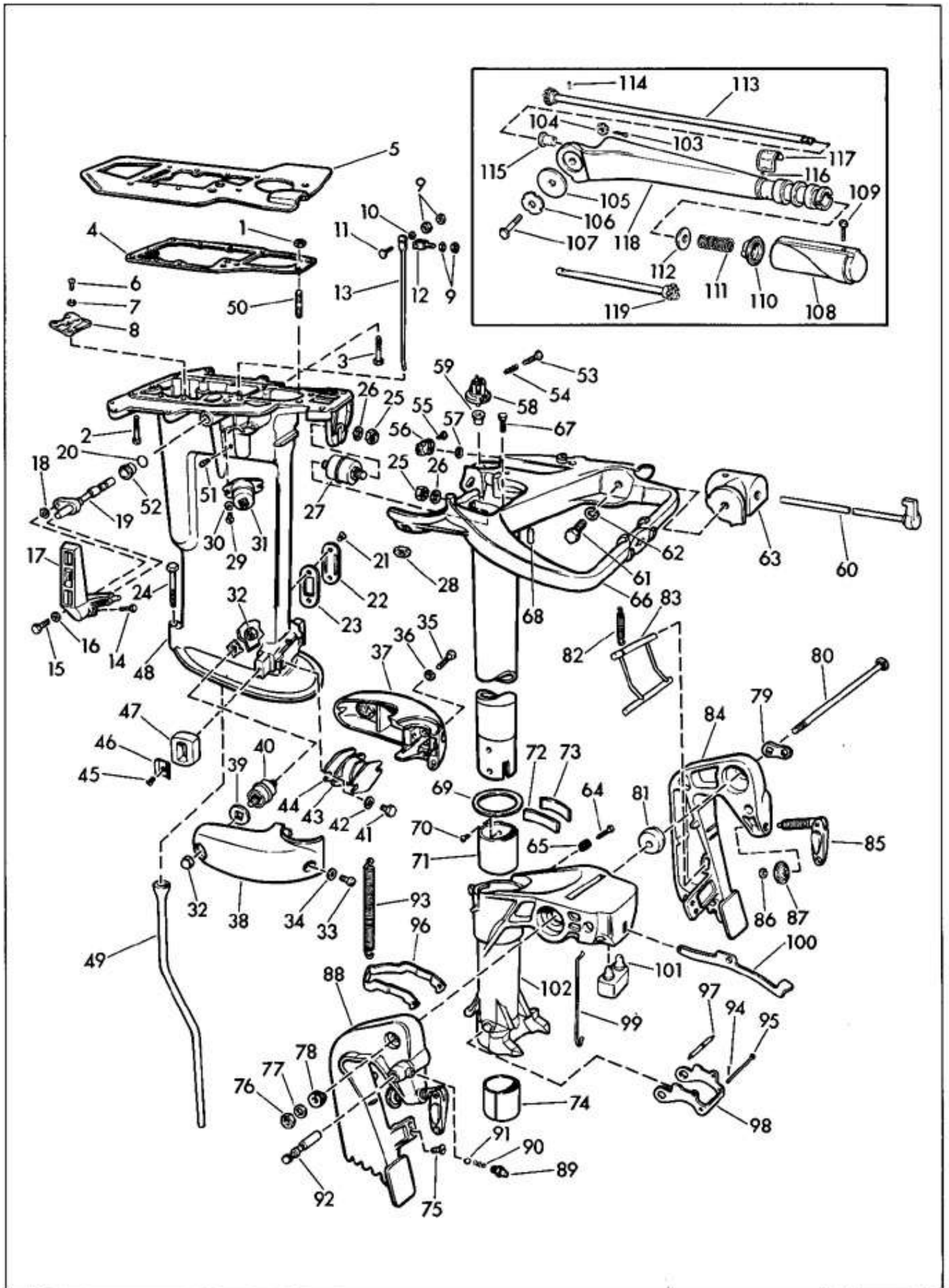
35D13

Ref. No.	Part No.	Description	Qty.	Ref. No.	Part No.	Description	Qty.
1	307585	PIN - cam follower	2	43	303750	. GASKET - carb. body to bowl	1
2	305454	LINK - throttle lever to cam follower	1	44	303041	. SCREW - drain, float chamber	1
3	304216	BUSHING - throttle lever link	1	45	304032	. CHAMBER - float	1
4	303296	SPRING - cam follower to crankcase	1	46	302661	. PIN - hinge	1
5	306463	COTTER PIN - cam follower to manifold	1	47	375792	. FLOAT - carb. body	1
6	301827	WASHER - cam follower	1	48	304601	. NOZZLE - high speed	1
7	303310	SPACER - cam follower	1	49	375798	. FLOAT VALVE AND SEAT ASSEMBLY	1
8	376477	CAM FOLLOWER	1	50	301996	. . WASHER - float valve seat	1
9	376478	LEVER - throttle	1	51	551517	. SCREW - slow speed knob	1
10	304888	SCREW - manifold to crankcase	12	52	305442	. KNOB - adjusting, slow speed	1
11	593020	MANIFOLD AND STUD ASSEMBLY - intake	1	53	203470	. RETAINING RING - high speed knob to panel	1
12	302822	. STUD - manifold to carb.	2	54	302473	. BOW WASHER - high speed knob to panel	1
13	304261	GASKET - leaf plate to crankcase	1	55	378045	. KNOB AND SHAFT - high speed	1
14	302104	SCREW - leaf plate to crankcase	1	56	305509	. BUSHING - control panel	1
15	552656	GASKET - leaf plate to manifold	1	57	304785	. SCREW - control panel to carburetor	2
16	306556	NUT - leaf screw	2	58	305441	. GASKET - control panel to carburetor	1
17	306546	LOCKWASHER - leaf screw	2	59	377789	. CARBURETOR BODY, PLUG AND THROTTLE VALVE ASSEMBLY	1
18	301858	SCREW - leaf attaching	2	60	306463	. . COTTER PIN - bellcrank	1
19	304709	STOP - leaf	2	61	307596	. . WASHER - bellcrank	1
20	304708	LEAF	2	62	305507	. . NUT - slow speed needle valve	1
21	305361	LEAF PLATE	1	63	306027	. . WASHER - packing, slow speed needle valve	2
22	306320	NUT - carb. to manifold	2	64	307583	. . PACKING - slow speed needle valve	2
23	306799	LOCKWASHER - carb. nut	2	65	376727	. . THROTTLE SHAFT LEVER AND SCREW ASSEMBLY	1
24	302598	GASKET - manifold to carb.	1	66	304572	. . . SCREW - throttle shaft lever	1
25	306547	WASHER - crankcase to manifold	1	67	303939	. . BUSHING - slow speed needle valve	1
26	510267	BRACKET - cut-out leads to manifold	1	68	305506	. . NEEDLE VALVE - slow speed	1
*	377233	CARBURETOR ASSEMBLY - complete	1	69	303760	. . SCREW - throttle valve to shaft	2
27	305011	. SPRING - bellcrank to choke lever	1	70	304056	. . VALVE - throttle	1
28	376258	. BELLCRANK AND PIN	1	71	302696	. . SPRING - throttle shaft	1
29	305508	. SCREEN - carb. intake	1	72	306497	. . SCREW - clamp to throttle arm	1
30	302792	. SPRING - small, choke control rod	1	73	377232	. . THROTTLE SHAFT AND ARM	1
31	377888	. CONTROL PANEL AND TRANSFER	1	74	305456	. . CAM BUSHING - throttle arm	1
32	305504	. ROD - choke control	1	75	305457	. . CLAMP - cam bushing	1
33	306479	. SCREW - choke control rod spring	1	76	303760	. . SCREW - choke valve to shaft	2
34	302722	. SPRING - choke control rod	1	77	302674	. . VALVE - choke	1
35	307207	. LINK - high speed adjustment	1	78	376256	. . CHOKE SHAFT, ARM AND PIN	1
36	306180	. BUSHING - retainer	2	79	306392	. . CORE PLUG - slow speed chamber	1
37	551517	. SCREW - carb. valve arm	1				
38	307442	. VALVE ARM - high speed	1				
39	300179	. NUT - high speed needle valve	1				
40	307583	. PACKING - high speed needle valve	4				
41	305505	. VALVE - needle, high speed	1				
42	306357	. SCREW - float chamber to carburetor body	4				

*Not Shown

INDENTED DESCRIPTIONS INDICATE THE PARTS ARE INCLUDED IN THE PRECEDING ASSEMBLY

EXHAUST HOUSING AND BRACKET



EXHAUST HOUSING AND BRACKET

35D13

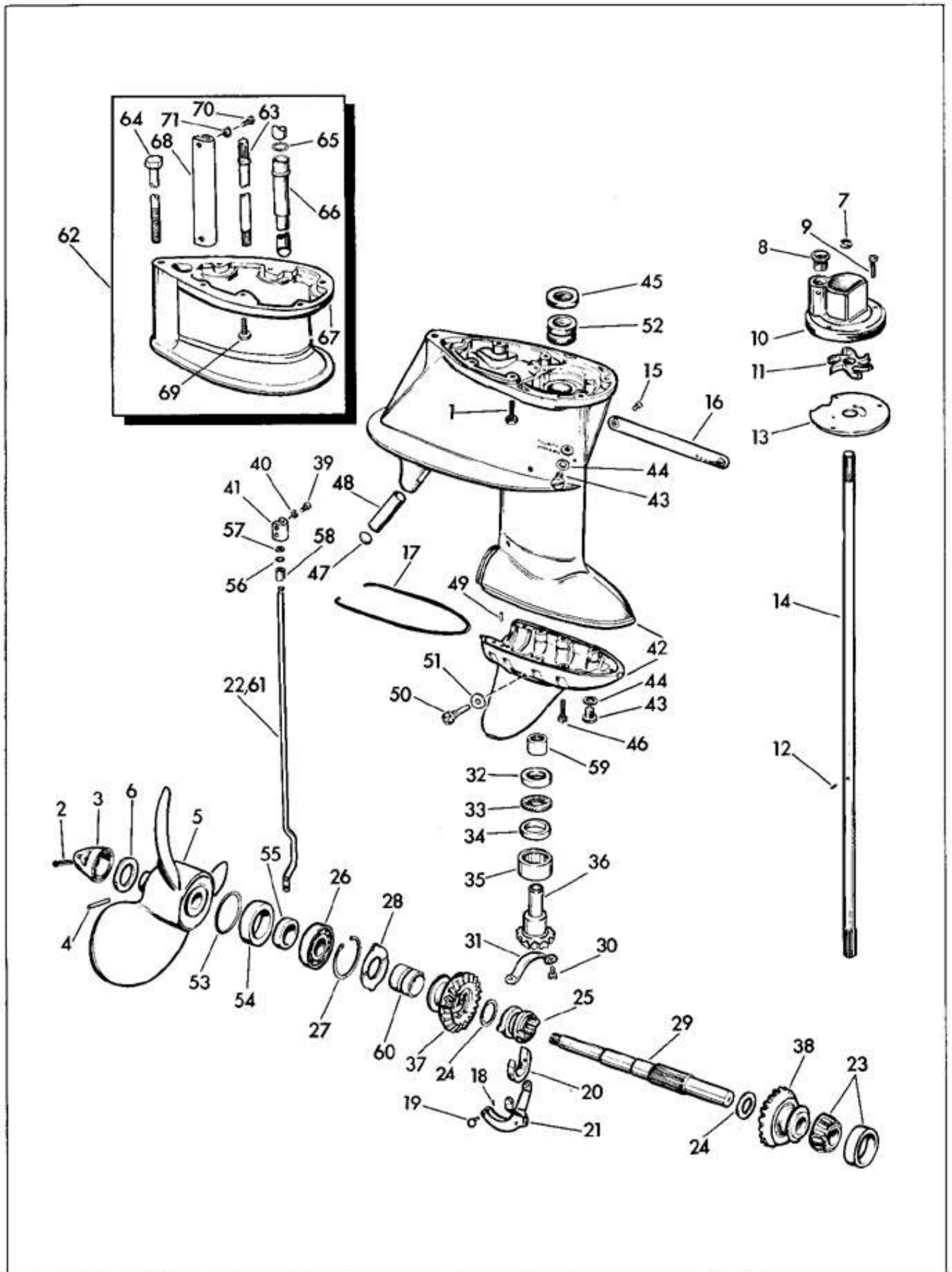
Ref. No.	Part No.	Description	Qty.	Ref. No.	Part No.	Description	Qty.
1	306320	NUT	2	65	551113	SPRING - co-pilot	1
2	132679	SCREW	7	66	592937	STEERING BRACKET PILOT SHAFT AND DOWEL ASSEMBLY	1
3	303782	SCREW	2				
4	304545	GASKET - exhaust tube	2	67	304151	SCREW	1
5	553751	PLATE - power head	1	68	300402	PIN - taper	1
6	304012	SCREW	2	69	303867	WASHER	1
7	304454	LOCKWASHER	1	70	303696	PIN - upper liner	1
8	304875	PLATE - exhaust loading	2	71	303936	LINER - upper, swivel	1
9	304753	NUT	4	72	303929	SPACER - co-pilot, plate to liner	1
10	305847	WASHER	1				
11	305579	PIN - shift rod to clevis	1	73	303928	PLATE - co-pilot	1
12	305824	CLEVIS - shift lever shaft	1	74	303868	ABSORBER - shock, brkt.	1
13	377398	ROD - shift, upper	1	75	306335	SCREW	2
14	300258	SCREW	1	76	305496	NUT	1
15	300646	SCREW	1	77	306433	WASHER	1
16	306407	WASHER	1	78	302051	SPRING - tilting shaft	1
17	592930	HANDLE AND PIN - shift	1	79	300364	LINK - safety chain	1
18	306488	LOCKWASHER	1	80	305495	BOLT - tilting shaft	1
19	377397	BRACKET - shaft and shift	1	81	302637	WASHER - conical, tilt shaft	2
20	303191	"O" RING - shift lever shaft	1	82	302736	SPRING - tilting lever	1
21	302509	SCREW	2	83	376303	TILTING LEVER	1
22	303862	PLATE - exh. hsg. cover	1	84	378055	STERN BRKT. & CLAMP SCREW ASSY. - port	1
23	304023	GASKET - exh. cover plate	1				
24	302871	SCREW	1	85	377311	CLAMP SCREW, PLATE AND RETAINER	2
25	303912	NUT	2	86	302420	RETAINER - swivel	2
26	303913	WASHER	2	87	307561	PLATE - swivel	2
27	303882	MOUNT - upper front	1	88	378056	STERN BRACKET & SCREW ASSY. - starboard (incl. items 85, 86 and 87)	1
28	303889	NUT	2				
29	306461	SCREW	4	89	307457	GREASE FITTING	1
30	303887	WASHER	4	90	307455	SPRING - ball detent	1
31	303879	MOUNT - upper side	2	91	160084	BALL - detent	1
32	303890	NUT	4	92	307456	PIN - tilting lock	1
33	303883	SCREW	2	93	303971	SPRING - reverse lock	1
34	303886	WASHER	2	94	306376	COTTER PIN	2
35	304452	SCREW	2	95	303955	ROD - reverse lock	1
36	302865	LOCKWASHER	2	96	303954	LEVER - reverse locking	1
37	304446	HOUSING - lower mt., port	1	97	303956	SHAFT - reverse lock	1
38	304447	HOUSING - mt. starboard	1	98	303953	LINK - reverse lock	1
39	304168	GASKET - rubber mount	4	99	303957	LINK - lock arm to shaft	1
40	303880	MOUNT - lower side	2	100	303863	ARM - manual lock lever	1
41	303888	SCREW	2	101	305365	BUMPER - tilting	1
42	303886	WASHER	2	102	553786	SWIVEL BRACKET	1
43	303881	MOUNT - lower front	1	103	†302804	COTTER PIN	1
44	304169	GASKET - to lower mount	1	104	†302803	NUT	1
45	303393	SCREW	2	105	†302703	WASHER - thrust	1
46	303961	RETAINER - bumper	2	106	†302631	WASHER - spring	1
47	303918	BUMPER - mount housing	2	107	†302721	SCREW	1
48	593087	EXHAUST TUBE ASSY.	1	108	†592221	GRIP & SCREW ASSY.	1
49	377060	TUBE - water	1	109	†302710	SCREW	1
50	304517	STUD - head adapter	2	110	†303282	BLOCK - friction, grip	1
51	304827	LUBRICATION FITTING	1	111	†301656	SPRING - grip	1
52	304791	BUSHING	1	112	†303252	WASHER	1
53	304573	SCREW - idle stop	1	113	†377944	THROTTLE CONTROL GEAR & SHAFT, LONG	1
54	304865	SPRING - idle stop screw	1	114	†302709	PIN - groove	1
55	303951	SCREW	1	115	†305100	BUSHING - steering handle	1
56	303142	PINION - throttle control	1	116	†301992	PIN - plate, throttle control	1
57	303107	WASHER	1	117	†305712	PLATE - throttle control	1
58	304814	GEAR - throttle control	1	118	†305409	HANDLE - steering	1
59	303854	BUSHING - gear	1	119	†377273	THROTTLE CONTROL GEAR & SHAFT, SHORT	1
*60	377211	KNOB AND SHAFT	1				
*61	130538	SCREW	1				
*62	303807	LOCKWASHER	1				
*63	305612	COVER - throttle control	1				
64	306468	SCREW - co-pilot	1				

*Not used on 35D13W.

†Standard for 35D13W. Available as accessory for 35D13B.

INDENTED PART DESCRIPTIONS INDICATE THE PARTS ARE INCLUDED IN THE PRECEDING ASSEMBLY

GEAR CASE



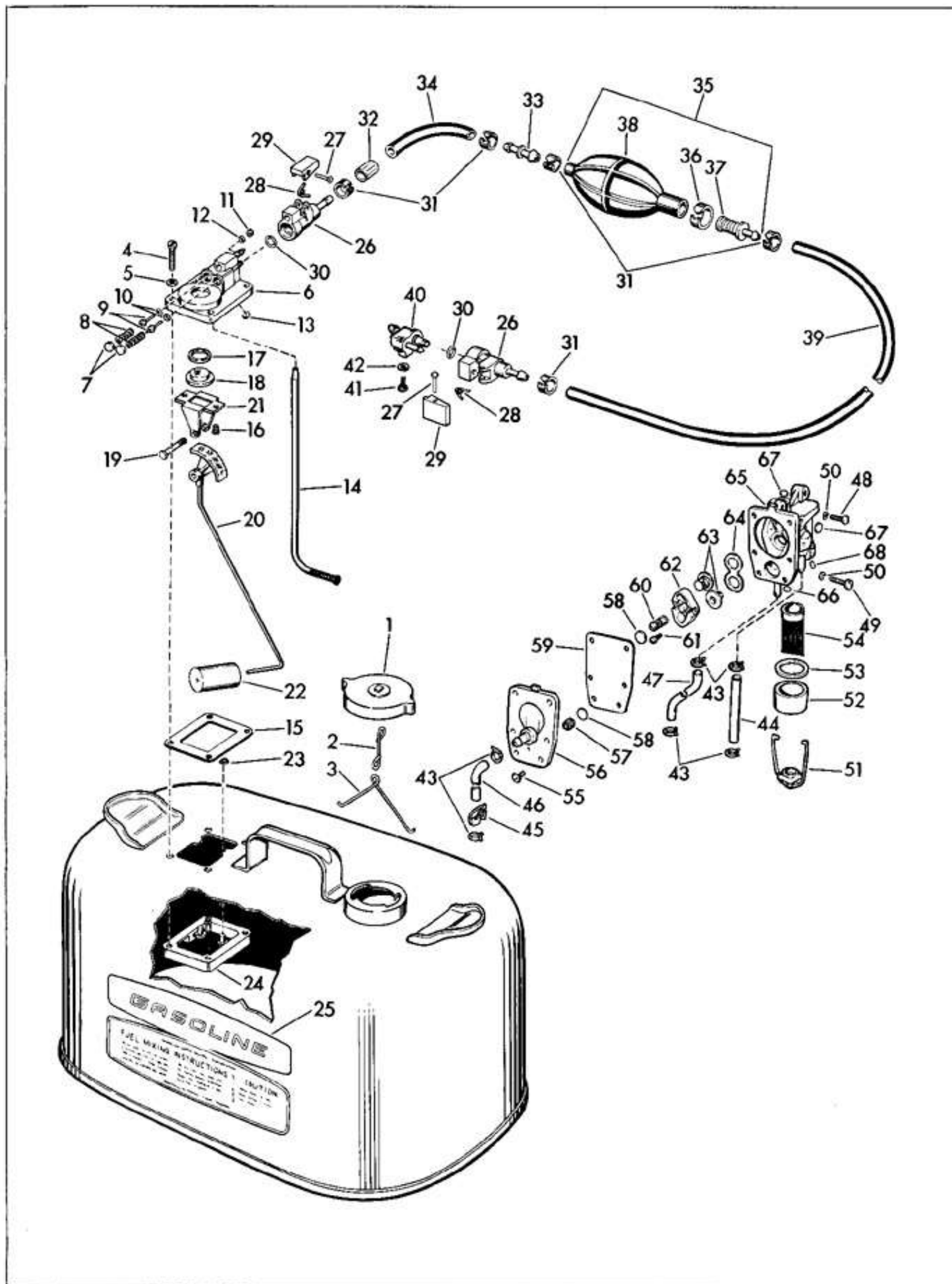
GEAR CASE

35D13

Ref. No.	Part No.	Description	Qty.		Ref. No.	Part No.	Description	Qty.
1	302510	SCREW - gearcase to exhaust tube	6		36	304777	PINION	1
2	306394	PIN COTTER - prop. nut	1		37	305293	GEAR - rear, reversing	1
3	305294	NUT - propeller	1		38	377174	GEAR AND BUSHING ASSEMBLY - front	1
4	304575	DRIVE PIN	1		39	304024	SCREW	2
5	277617	PROPELLER AND BUSHING	1		40	301551	LOCKWASHER	2
6	304576	THRUST WASHER - propeller	1		41	303794	CONNECTOR - shift rod	1
*	377507	GEARCASE ASSEMBLY COMPLETE	1		42	376877	GEARCASE ASSEMBLY	1
7	303059	SEAL - driveshaft to crankcase	1		43	307551	SCREW - oil drain and fill	2
8	304026	GROMMET - water tube	1		44	307552	WASHER - drain and fill screw	2
9	302677	SCREW - impeller housing	3		45	302545	RETAINER - oil driveshaft	1
10	303831	HOUSING - water pump impeller	1		46	304070	SCREW - gearcase	9
11	375808	IMPELLER - water pump	1		47	300077	PLUG - water intake screen	1
12	300771	PIN - impeller	1		48	302521	SCREEN - water intake	1
13	303866	PLATE - impeller housing	1		49	300611	DOWEL - gearcase	1
14	553896	DRIVESHAFT	1		50	303358	PIN - pivot, shift lever	1
15	302509	SCREW - water bypass cover	2		51	304083	WASHER - pivot pin	1
16	302616	COVER - water bypass	1		52	304084	BUSHING - driveshaft to gearcase	1
17	302604	SEAL - lower to upper gearcase	1		53	302588	O-RING - oil retainer housing	1
18	306376	PIN COTTER - shift lever	1		54	303050	HOUSING - oil ret.	1
19	302504	PIN - shift rod	1		55	302564	RETAINER - oil propeller shaft	1
20	305286	CRADLE - shift lever	1		56	301877	O-RING - lower shift rod seal	1
21	305288	SHIFTER LEVER	1		57	304764	GASKET - shift rod bushing to gearcase	1
22	305287	SHIFT ROD - lower	1		58	304765	BUSHING - lower shift rod	1
23	375761	PROPELLER SHAFT ROLLER BEARING & CUP ASSEMBLY	1		59	376856	PINION BEARING - upper	1
24	302565	WASHER - thrust, propeller shaft	2		60	303690	BUSHING - reverse gear	1
25	305105	SHIFTER CLUTCH DOG	1		Parts for motors equipped with 5" longer lower units (DL)			
26	307545	BEARING - ball, propeller shaft	1		61	305519	SHIFT ROD - lower 5 in. longer	1
27	302528	RING - gearcase ret.	1		62	377469	EXTENSION KIT ASSEMBLY	1
28	302743	WASHER - thrust reverse gear	1		63	553906	DRIVESHAFT 5 in. longer	1
29	305104	SHAFT - propeller	1		64	304135	SCREW - gearcase extension, rear	1
30	303737	SCREW - driveshaft support	2		65	304174	O-RING - adapter	1
31	302552	SUPPORT - driveshaft	1		66	304175	ADAPTER - water tube	1
32	304795	THRUST WASHER - pinion, upper	1		67	304030	EXTENSION - gearcase	1
33	376857	BEARING - pinion thrust	1		68	304081	CONNECTOR - shift rod	1
34	304796	THRUST WASHER - pinion, lower	1		69	302510	SCREW - extension to exhaust tube	6
35	376858	PINION BEARING - lower	1		70	304024	SCREW	2
					71	301551	LOCKWASHER	2

*Not Shown

FUEL TANK AND PUMP



FUEL TANK AND PUMP

Ref. No.	Part No.	Description	Qty.	Ref. No.	Part No.	Description	Qty.
*	592900	GAS TANK ASSEMBLY . . .	1	34	305871	. HOSE - primer bulb to connector	1
1	377536	. GAS CAP ASSEMBLY . . .	1	35	592131	. PRIMER BULB, NIPPLE AND CLAMP	1
2	305994	. . LINK - anchor	1	36	553166	. . CLAMP - large, fuel hose	1
3	552331	. . ANCHOR - gas cap . . .	1	37	592242	. . NIPPLE AND VALVE . . .	1
4	304888	. SCREW	4	38	553164	. . PRIMER BULB	1
5	305863	. WASHER	4	39	305872	. HOSE - long, primer bulb to connector	1
6	378097	. HOUSING AND NIPPLE - upper	1	40	376154	BODY ASSEMBLY - fuel connector	1
7	303405	. . PLUG - core	2	41	303311	SCREW	1
8	305860	. . SPRING - fuel release valve	2	42	306488	LOCKWASHER	1
9	305859	. . VALVE - fuel release . . .	2	43	552199	CLAMP - hose, connector to pump	6
10	305857	. . O-RING - valve seat . . .	2	44	305422	HOSE - connector to pump . . .	1
11	305861	. . RETAINER - O-ring	1	45	305372	CLAMP - hose to cylinder head	1
12	305862	. . O-RING - fuel connector seal	1	46	303640	HOSE - pump to by-pass cover	1
13	305243	. . PLUG - core	1	47	305700	HOSE - pump to carburetor . . .	1
14	377429	. . FUEL LINE AND SCREEN	1	48	132679	SCREW - fuel pump to exhaust cover	2
15	305867	. GASKET - gas tank to housing	1	49	302238	SCREW - fuel pump to cylinder	1
16	302323	. SCREW	2	50	302376	LOCKWASHER - fuel pump screw	3
17	302571	. SEAL - glass	1	*	377602	FUEL PUMP ASSEMBLY	1
18	302568	. GLASS - gas tank	1	51	377600	. YOKE ASSEMBLY	1
19	305821	. PIN - indicator	1	52	303967	. FILTER BOWL	1
20	377428	. INDICATOR	1	53	302675	. GASKET - filter bowl	1
21	305864	. SUPPORT - indicator	1	54	305185	. FUEL FILTER	1
22	302559	. FLOAT - indicator	1	55	307175	. SCREW - cover to pump	6
23	305873	. FASTENER - support plate	1	56	377142	. COVER AND NIPPLE - fuel pump	1
24	307479	. PLATE - support	1	57	305183	. SPRING - air dome	1
25	553833	. TRANSFER - gasoline tank	1	58	304094	. SUPPORT - diaphragm	2
*	377433	FUEL CONNECTOR, HOSE AND PRIMER BULB ASSEMBLY	1	59	305186	. DIAPHRAGM - fuel pump	1
26	376156	. FUEL CONNECTOR HOUSING	2	60	305182	. SPRING - diaphragm	1
27	301832	. . RIVET - lock, fuel connector	1	61	306552	. SCREW - retainer to body	2
28	301829	. . SPRING - lock, fuel connector	1	62	305087	. RETAINER - valve	1
29	301830	. . LOCK-fuel connector	1	63	377143	. VALVE - fuel pump	2
30	303598	. . O-RING - seal, fuel connector	1	64	305184	. GASKET - valve	1
31	303596	. CLAMP - small, fuel hose	5	65	377487	. BODY AND PLUG - fuel pump	1
32	306801	. SLEEVE - "tank end"	1	66	306442	. . PLUG - core	1
33	591841	. NIPPLE AND VALVE ASSEMBLY	1	67	303405	. . PLUG - core	2
				68	304105	. . PLUG	1

*Not Shown

INDENTED DESCRIPTIONS INDICATE THE PARTS ARE INCLUDED IN THE PRECEDING ASSEMBLY