

35DE13 & 35DG13 Applications

**This Parts Book Covers the Following
Motors Manufactured by Gale Products**

Montgomery Ward "Sea King"

GG-8837A	1960	35DE13	Electric Start
----------	------	--------	----------------

Gale Products "Buccaneer"

35DE13B	1960	35DE13	Electric Start
35DG13B	1960	35DG13	Electric Start With Generator

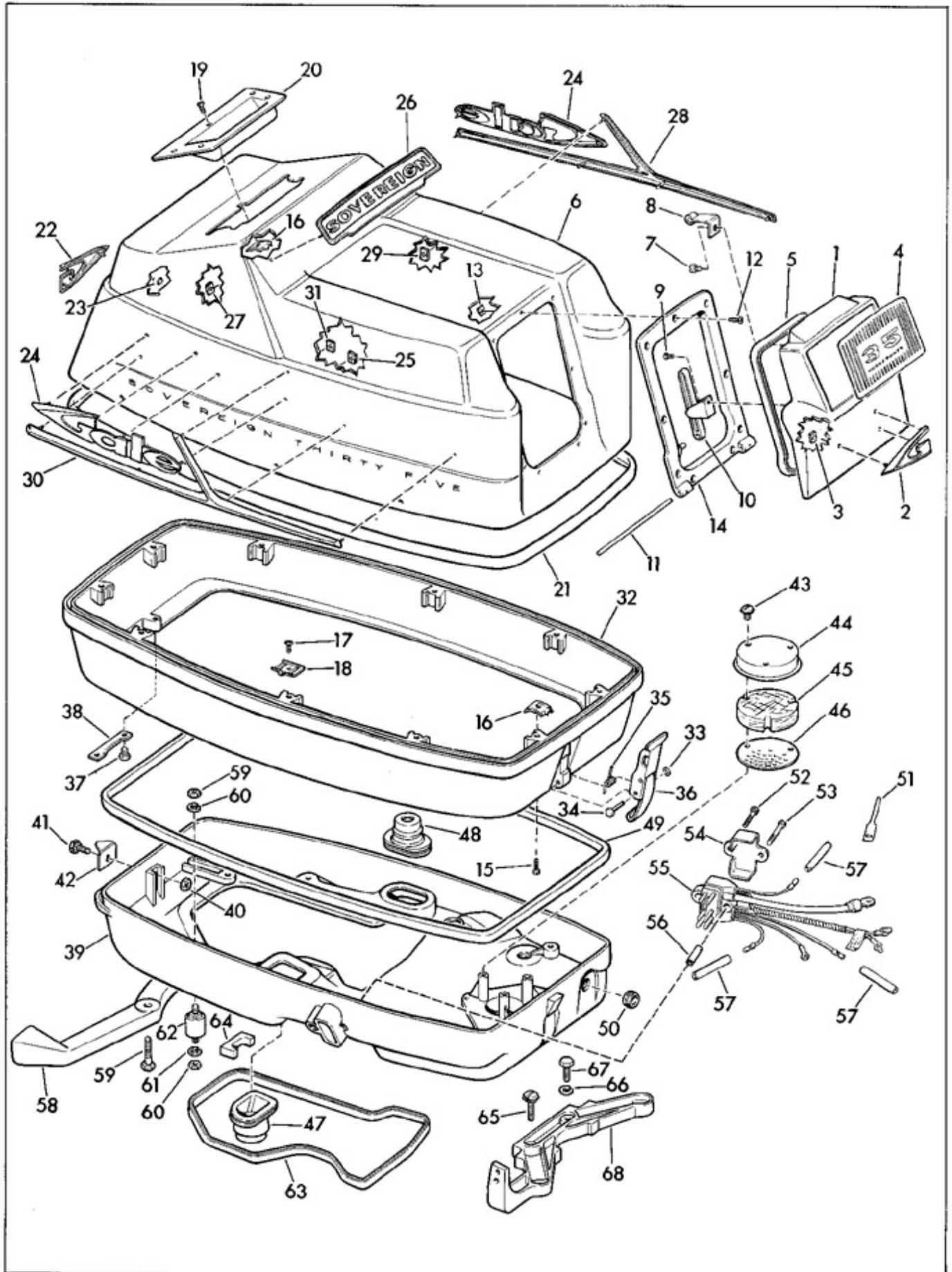
TRIM-35DE13B

Ref. No.	Part No.	Description	Qty.	Ref. No.	Part No.	Description	Qty.
*	593094	SHROUD AND TRANSFER ASSEMBLY - complete . .		35	305531	SPRING - shroud latch . .	1
1	593099	FRONT DOOR ASSY. . . .	1 ea	36	377240	COVER LATCH	1
2	593078	EMBLEM AND FASTENER ASSEMBLY - "G"	1 ea	37	302416	SCREW - shroud to bracket	2
3	305670	FASTENER	3 ea	38	307291	BRACKET - shroud mounting to hook	1
4	553885	EMBLEM - "35" HORSEPOWER	1 ea	39	592942	MOTOR COVER ASSEMBLY - lower	1
5	553922	SEAL - front door	1	40	203688	NUT - hook to cover screw	1
6	593119	SHROUD AND TRANSFER ASSEMBLY - upper	1	41	307029	SCREW - hook to lower cover	1
7	305685	SCREW - roller latch to door	1	42	307336	HOOK - lower cover - rear	1
8	377660	ROLLER LATCH - front door	1	43	303311	SCREW - silencer cover . .	3
9	307426	SCREW - hinge bracket to front door	1	44	305376	COVER - silencer to lower cover	1
10	378033	HINGE SLIDE AND BRACKET	1	45	305375	SILENCER PAD - air intake	1
11	306106	HINGE PIN - door to frame	2	46	305377	PLATE - silencer to lower cover	1
12	204461	SCREW - frame to fastener	9	47	306222	GROMMET - shifter lock to cover	1
13	306630	FASTENER - frame to shroud	9	48	304019	GROMMET - control shaft to cover	1
14	553870	FRAME - front door, shroud	1	49	553785	SEAL - lower cover to lower shroud	
15	553814	SCREW - fastener, shroud upper to lower	2	50	306062	GROMMET - lower cover, front	1
16	204472	FASTENER - shroud and tilt handle	7	51	305021	STRAP - generator leads . .	1
17	302750	SCREW - fastener to shroud	8	52	306409	SCREW - short, cable cover	1
18	553796	FASTENER - upper to lower shroud	8	53	306418	SCREW - long, cable cover	1
19	553774	SCREW - tilt handle to shroud	5	54	304766	COVER - cable	1
20	553749	TILT HANDLE - shroud	1	55	377280	CABLE - connector to starter and solenoid	1
21	553815	SEAL - upper to lower shroud	1	56	306218	SLEEVE - cable connector	1
22	593078	EMBLEM AND FASTENER ASSEMBLY - "G"	1 ea	57	303806	TUBING - insulation	3
23	305670	FASTENER	3 ea	58	592892	CARRYING HANDLE ASSEMBLY	1
24	593103	NAMEPLATE AND FASTENER ASSEMBLY - "GALE"	2 ea	59	305282	SCREW - carrying handle	2
25	305670	FASTENER	8 ea	60	302103	NUT - rubber mount	8
26	593104	NAMEPLATE AND FASTENER ASSEMBLY - "SOVEREIGN"	1 ea	61	306799	LOCKWASHER - rubber mount	8
27	305670	FASTENER	3 ea	62	377582	RUBBER MOUNT - lower motor cover support	4
28	593079	APPLIQUE AND FASTENER ASSY. - port	1 ea	63	553784	SEAL - large - lower motor cover to plate	1
29	305670	FASTENER	5 ea	64	553770	SEAL - small - lower motor cover to plate	1
30	593080	APPLIQUE AND FASTENER ASSEMBLY - starboard	1 ea	65	307468	SCREW - "sems" - bracket to exhaust tube - starboard	1
31	305670	FASTENER	5 ea	66	306488	LOCKWASHER - lower cover bracket	1
32	593163	SHROUD - lower		67	300646	SCREW - lower bracket mounting - port	1
33	305530	LOCKRING - shroud latch	1	68	553752	BRACKET - lower cover mounting	1
34	305529	PIN - shroud latch	1	*	593085	DECAL SET	1

*Not Shown

INDENTED DESCRIPTIONS INDICATE THE PARTS ARE INCLUDED IN THE PRECEDING ASSEMBLY

TRIM-35DE13B

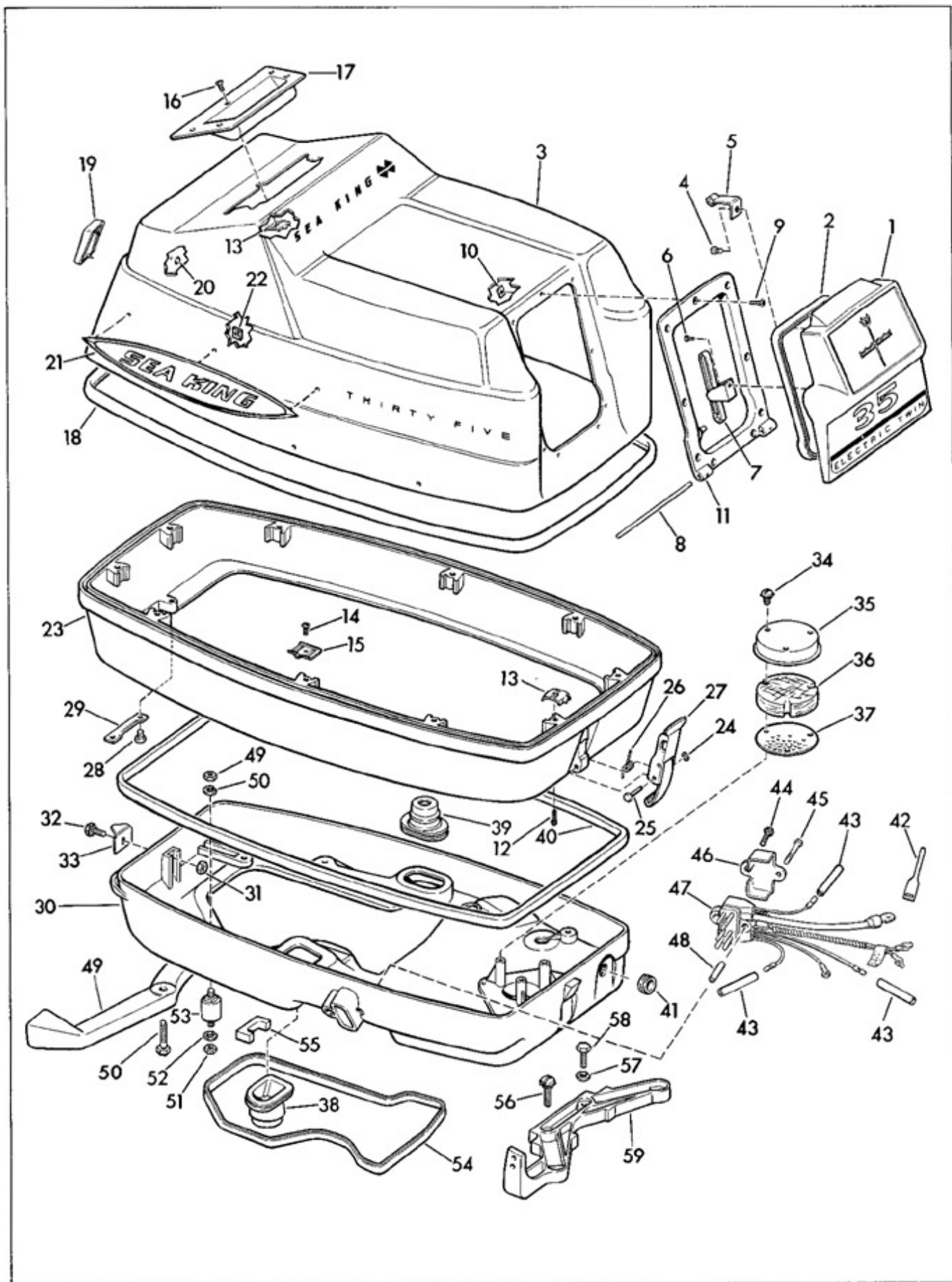


TRIM-35DE13W

Ref. No.	Part No.	Description	Qty.	Ref. No.	Part No.	Description	Qty.
*	593159	SHROUD AND TRANSFER ASSEMBLY - complete . . .		31	203688	NUT - hook to cover screw	1
1	593157	DOOR AND TRANSFER - front shroud	1	32	307029	SCREW - hook to lower cover	1
2	593922	SEAL - front door	1	33	307336	HOOK - lower cover - rear .	1
3	593158	SHROUD AND TRANSFER ASSEMBLY - upper	1	34	303311	SCREW - silencer cover . . .	3
4	305685	SCREW - roller latch to door	1	35	305376	COVER - silencer to lower cover	1
5	377660	ROLLER LATCH - front door	1	36	305375	SILENCER PAD - air intake	1
6	307426	SCREW - hinge bracket to front door	1	37	305377	PLATE - silencer to lower cover	1
7	378033	HINGE SLIDE AND BRACKET	1	38	306222	GROMMET - shifter lock to cover	1
8	306106	HINGE PIN - door to frame	2	39	304019	GROMMET - control shaft to cover	1
9	204461	SCREW - frame to fastener	9	40	553785	SEAL - lower cover to lower shroud	1
10	306630	FASTENER - frame to shroud	9	41	306062	GROMMET - lower cover, front	1
11	553870	FRAME - front door, shroud	1	42	305021	STRAP - generator leads . .	1
12	553814	SCREW - fastener, shroud upper to lower . .	2	43	303806	TUBING - insulation	3
13	204472	FASTENER - shroud and tilt handle	7	44	306409	SCREW - short, cable cover	1
14	302750	SCREW - fastener to shroud	8	45	306418	SCREW - long, cable cover .	1
15	553796	FASTENER - upper to lower shroud	8	46	304766	COVER - cable	1
16	553774	SCREW - tilt handle to shroud	7	47	377280	CABLE ASSEMBLY - connector to starter motor and solenoid	1
17	553749	TILT HANDLE - shroud . .	1	48	306218	SLEEVE - cable connector .	1
18	553815	SEAL - upper to lower shroud	1	49	592892	CARRYING HANDLE ASSEMBLY	1
19	593164	MEDALLION AND FASTENER	1	50	305282	SCREW - carrying handle	2
20	305670	FASTENER	2	51	302103	NUT - rubber mount	8
21	593165	NAME PLATE AND FASTENER	2	52	306799	LOCKWASHER - rubber mount	8
22	305670	FASTENER	2	53	377582	RUBBER MOUNT - lower motor cover support	4
23	593163	SHROUD - lower		54	553784	SEAL - large - lower motor cover to plate	1
24	305530	LOCKRING - shroud latch	1	55	553770	SEAL - small - lower motor cover to plate	1
25	305529	PIN - shroud latch	1	56	307468	SCREW - "sems" - bracket to exhaust tube - star-board	1
26	305531	SPRING - shroud latch . .	1	57	306488	LOCKWASHER - lower cover bracket	1
27	377240	COVER LATCH	1	58	300646	SCREW - lower bracket mounting - port	1
28	302416	SCREW - shroud to bracket	2	59	553752	BRACKET - lower cover mounting	1
29	307291	BRACKET - shroud mtg. to hook	1	*	553117	DECAL SET	
30	592942	MOTOR COVER ASSEMBLY - lower	1				

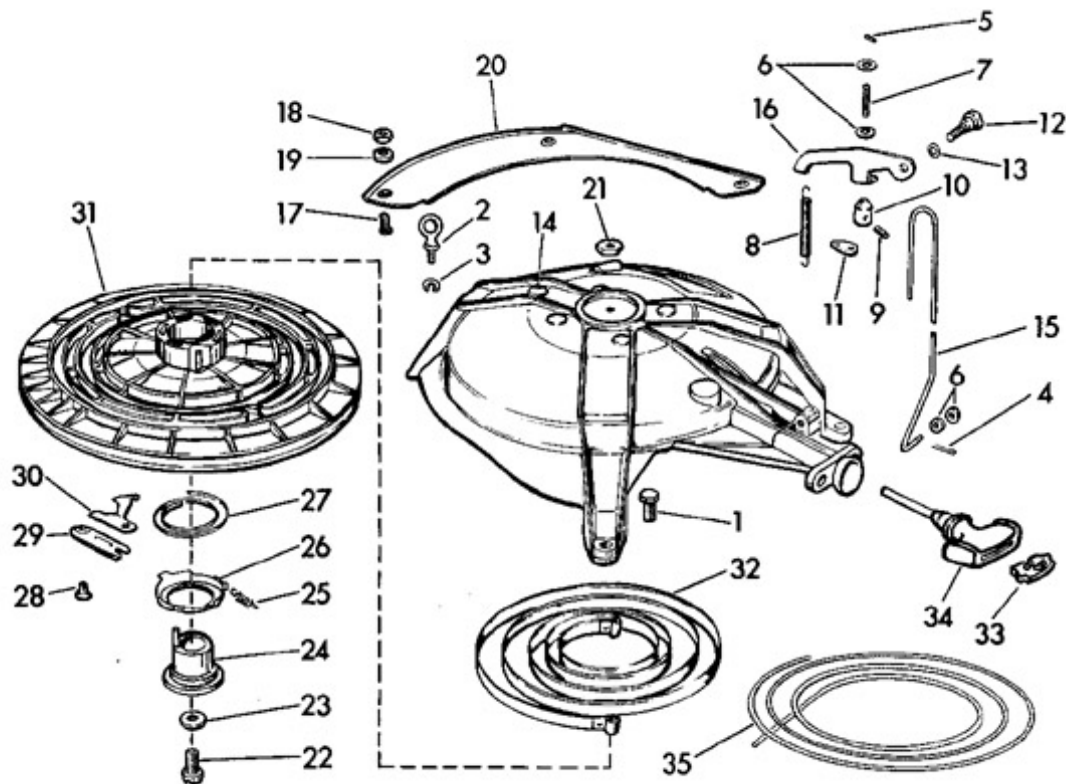
*Not Shown

TRIM-35DE13W



STARTER

35DE13



Ref. No.	Part No.	Description	Qty.	Ref. No.	Part No.	Description	Qty.
1	303591	SCREW - starter housing to bracket	2	17	306532	SCREW - guard to starter housing	2
2	305691	EYE BOLT - starter housing to cylinder	1	18	304854	NUT - guard to starter housing	2
3	306325	LOCKWASHER - eye bolt	1	19	304510	WASHER - flywheel guard to starter housing	2
4	306499	COTTER PIN - locking lever rod	1	20	304770	GUARD - H.T. leads - starter housing	1
5	307565	PIN - rod locking lever	3	21	302103	NUT - spindle screw	1
6	306544	WASHER - locking lever rod	4	22	306284	SCREW - spindle to starter housing	1
7	303051	SPRING - link to locking lever	1	23	306283	WASHER - starter spindle	1
8	304224	SPRING - link to starter housing	1	24	276643	SPINDLE AND PIN	1
9	303245	SCREW - collar - link	1	25	202155	SPRING - equalizer cup	3
10	303244	COLLAR - link - starter lock	1	26	202114	EQUALIZER CUP	1
11	303033	SPRING ANCHOR - locking lever rod	1	27	302222	FRICTION SPRING - starter	1
12	303247	SCREW - locking lever	1	28	307163	SCREW - retainer - starter pawl	3
13	302473	BOW WASHER - lever to housing	1	29	202317	RETAINER - starter pawl	3
14	378085	STARTER HOUSING AND PIN	1	30	202470	STARTER PAWL	3
15	304808	ROD - locking lever	1	31	376848	STARTER PULLEY	1
16	304807	LOCKING LEVER - starter housing	1	32	375836	STARTER SPRING	1
				33	304325	ANCHOR - rope to handle	1
				34	305381	HANDLE - starter	1
				35	305000	ROPE - starter	1

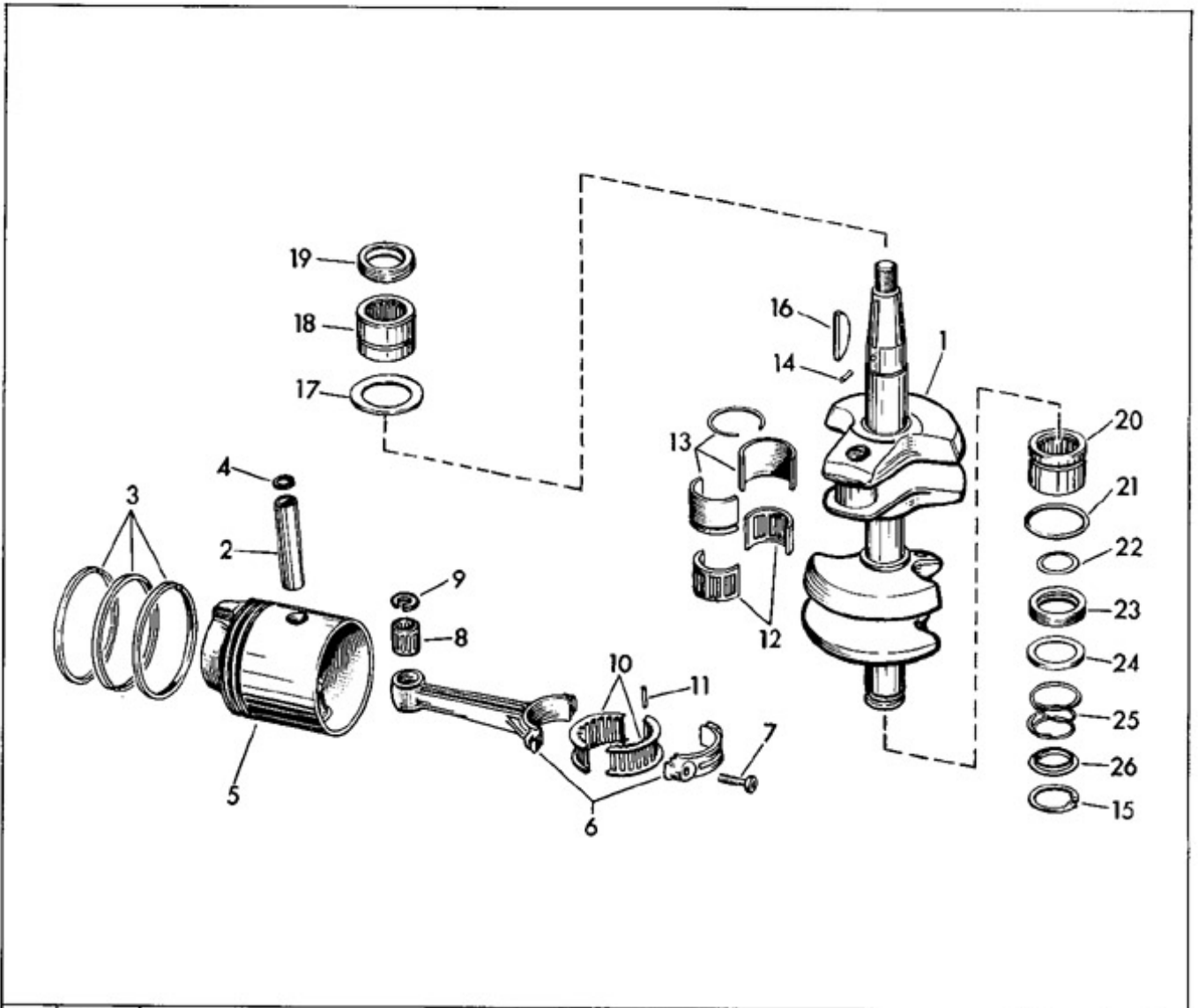
MAGNETO

	Ref. No.	Part No.	Description	Qty.
	1	305984	NUT	1
	2	302468	SCREW	3
	3	202111	RATCHET - starter	1
		580281	FLYWHEEL & RING GEAR	1
	4	303698	SCREW	8
	5	580285	FLYWHEEL, COVER AND PULLEY ASSEMBLY	1
	6	510297	SCREW	2
	7	510296	COVER - insp. hole	1
	8	203486	GEAR - ring	1
	9	510169	MAGNETO CAM	1
	10	304656	SPRING	1
	11	300345	LOCKWASHER	1
	12	200932	CLAMP	1
	13	303741	CLAMP	1
	14	303737	SCREW	2
	15	304591	STOP - shifter lock	1
	16	307596	WASHER	1
	17	305455	CAM - throttle control	1
	18	302104	SCREW	2
	19	376902	ANCHOR AND PIN	1
	20	302812	SCREW	1
	21	306546	LOCKWASHER	1
	22	304219	LINK - lever control to anchor and pin	1
	23	304352	SLEEVE - anchor pin	1
	24	302751	SCREW	1
	*	580307	ARMATURE PLATE ASSY.	1
	25	306547	WASHER	2
	26	580277	LEAD - shorting wire	1
	27	510371	CLAMP	1
	28	510192	SCREW	2
	29	510286	SCREW	2
	30	306311	LOCKWASHER	2
	31	510397	SCREW	4
	32	580197	COIL AND LAMINATION	2
	33	510193	SCREW	2
	34	510190	CLAMP	1
	35	510396	MARKER - H.T. lead, upper	1
	36	580135	LEAD - high tension, upper	1
	37	510232	COVER - spark plug, rubber	1
	38	510231	TERMINAL - spark plug lead spring	1
	39	580146	LEAD - high tension, lower (incl. items 37 and 38)	1
	40	510289	GROMMET	2
	41	510194	SCREW	2
	42	510278	SCREW	2
	43	510208	BOW WASHER	2
	44	510185	ECCENTRIC SCREW	2
	45	580148	BREAKER ASSEMBLY	2
	46	307594	SPRING	1
	47	510204	CLIP - breaker spring	1
	48	510193	SCREW	2
	49	510173	CONDENSER	2
	50	510189	WICK - oiler	1
	51	510188	CLIP - oiler	1
	52	580271	ARMATURE PLATE	2

*Not Shown

CRANKSHAFT AND PISTON

35DE13

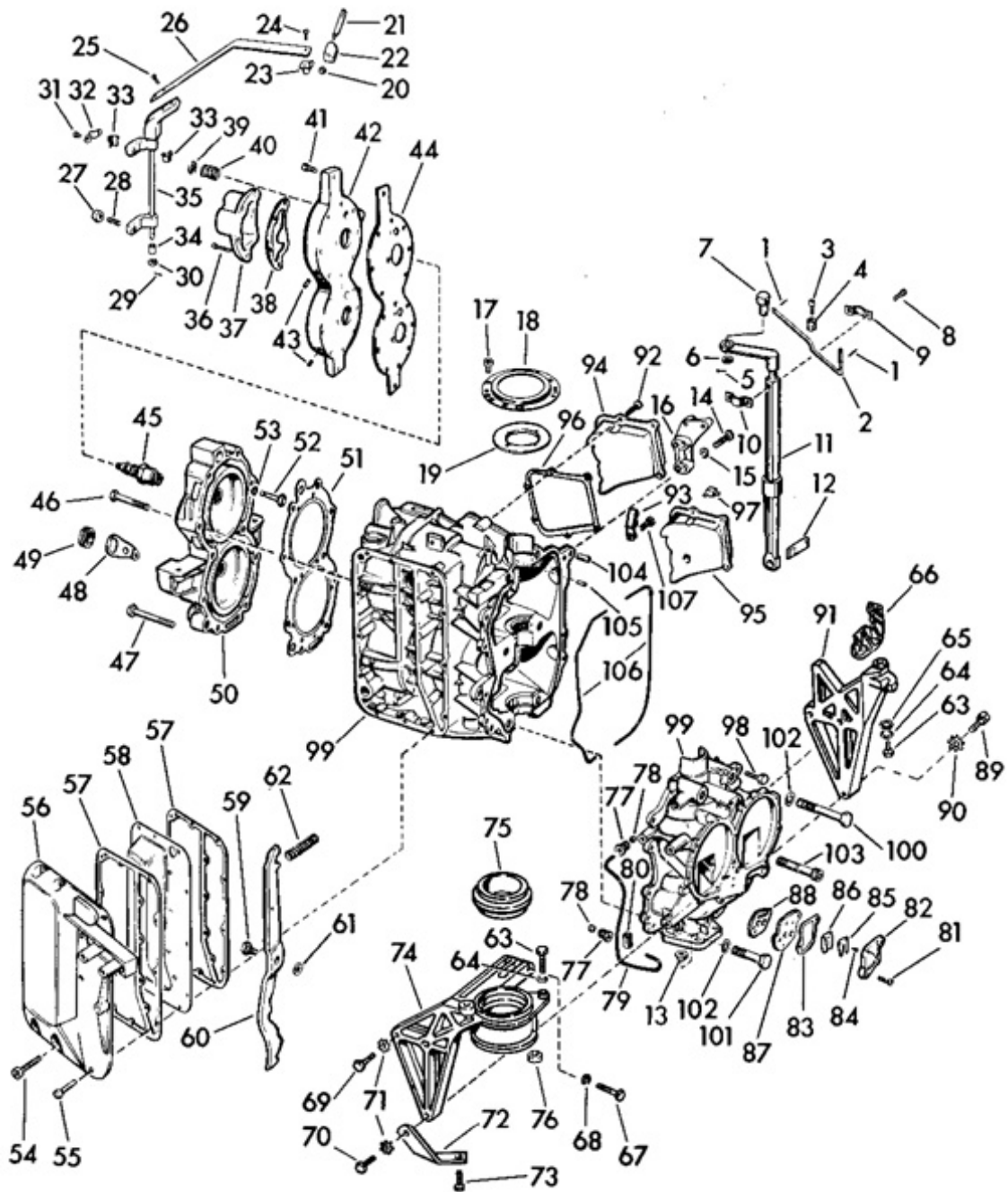


Ref. No.	Part No.	Description	Qty.		Ref. No.	Part No.	Description	Qty.
1	553904	CRANKSHAFT	1		13	302585	SPLIT SLEEVE - center bearing	1
*	377666	PISTON & CONNECTING ROD ASSEMBLY	2		14	302578	PIN - cam to crankshaft	1
2	304713	WRIST PIN	1		15	302536	RETAINING RING	1
3	304712	PISTON RING	3		16	306253	KEY - crankshaft	1
4	302577	RETAINING RING - wrist pin	2		17	304697	WASHER	1
5	377409	PISTON & DOWEL PIN	1		18	377528	ROLLER BEARING & SEAL ASSY. - upper journal	1
6	377796	CONNECTING ROD, NEEDLE BRG. & SNAP RING ASSY.	1		19	305987	SEAL - upper journal	1
7	553761	SCREW	2		20	375763	ROLLER BEARING - lower journal	1
8	378047	NEEDLE BEARING	1		21	302537	"O" RING - lower journal seal	1
9	306251	SNAP RING	2		22	305098	QUAD RING - carbon seal to crankshaft	1
10	306250	RETAINER - connecting rod bearing	32		23	302538	SEAL - lower bearing	1
11	378154	NEEDLE - connecting rod bearing	32		24	302594	RETAINING WASHER	1
12	378155	RETAINER & NEEDLE BEARING - center	2		25	302539	SPRING - seal	1
					26	303801	RETAINING WASHER	1

*Not Shown

INDENTED DESCRIPTIONS INDICATE THE PARTS ARE INCLUDED IN THE PRECEDING ASSEMBLY
35E-3

POWER HEAD



POWER HEAD

35DE13

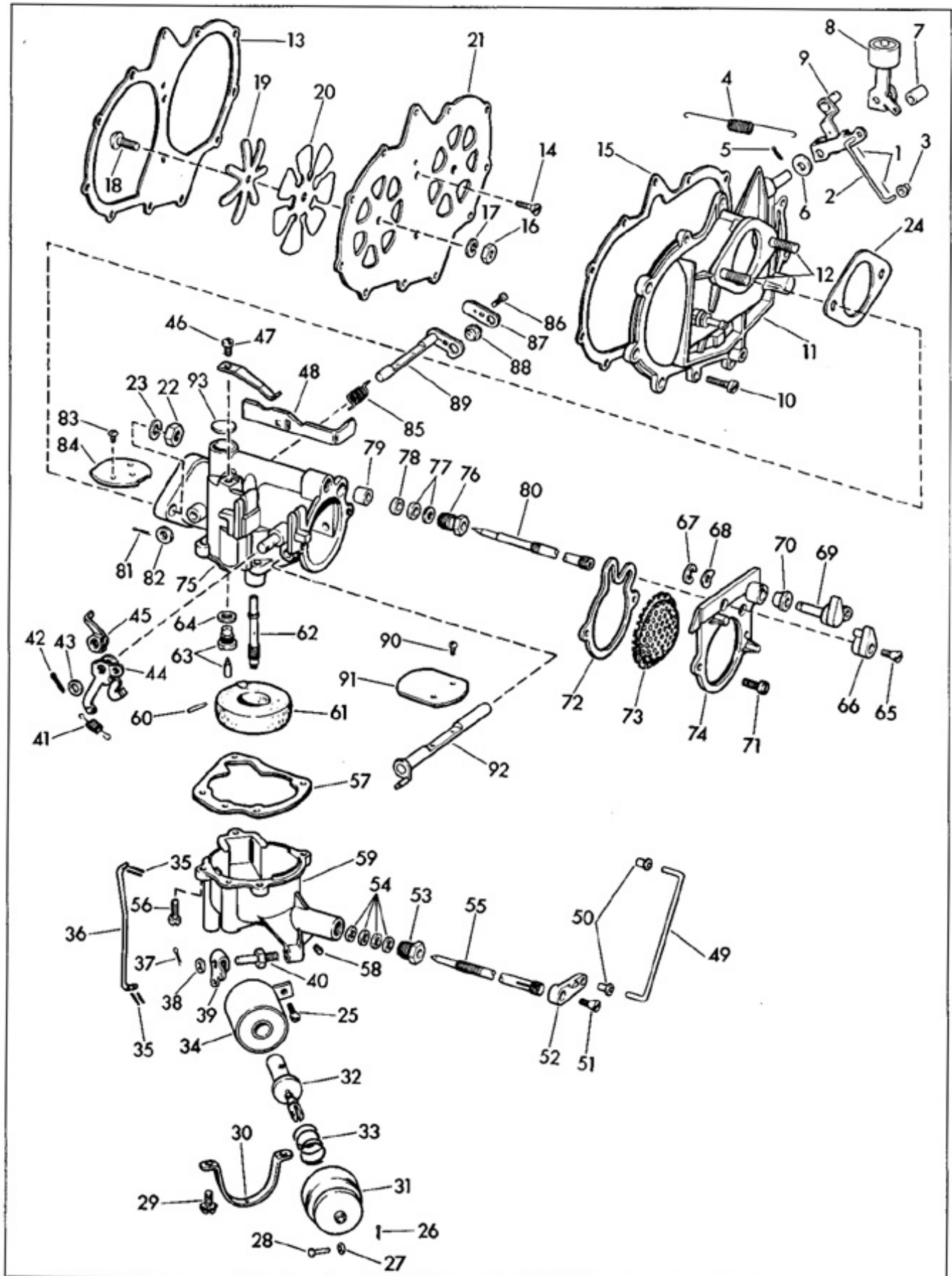
Ref. No.	Part No.	Description	Qty.	Ref. No.	Part No.	Description	Qty.
1	307565	PIN - throttle control rod . .	3	56	305611	COVER - exhaust, outer . . .	1
2	304225	ROD - throttle control rod . .	1	57	304762	GASKET - exhaust cover . . .	2
3	304221	SCREW	1	58	304761	COVER - exhaust, inner . . .	1
4	304222	COLLAR - throttle control rod	1	59	302592	SCREW	1
5	303049	COTTER PIN	1	60	305355	SHIFTER LOCK	1
6	551953	WASHER	1	61	304051	WASHER	1
7	304226	PIVOT PIN - lever control . .	1	62	302587	SPRING - shifter lock	1
8	302948	SCREW	2	63	306409	SCREW	2
9	305609	BEARING CLAMP - outer . . .	1	64	306396	SPRING LOCKWASHER - guard screw	2
10	303109	BEARING CLAMP - inner . . .	1				
11	304198	LEVER - control	1	65	306407	WASHER	1
12	304155	PIN - throttle gear to lever .	1	*66	307475	GUARD - ring gear	1
13	306320	NUT - exhaust tube to cylinder	4	†66	307460	GUARD - ring gear and gen. bracket support	1
14	306434	SCREW	2				
15	302376	LOCKWASHER	2	67	305006	SCREW	1
16	304941	BRACKET - control, lever to cylinder	1	68	306325	LOCKWASHER	1
17	304442	SCREW	4	69	302030	SCREW - upper	2
18	303278	SUPPORT - armature plate . .	1	70	306778	SCREW - bottom	2
19	303277	RETAINING RING - arm. plate	1	71	306488	LOCKWASHER	3
20	303715	WASHER	1	72	377309	GROUND STRAP	1
21	304740	SHAFT - guide to starter hsg.	1	73	306419	SCREW	1
22	304738	GUIDE - valve actuating arm .	1	74	305084	BRACKET - starter and starter mtr. mount, stbd. .	1
23	377064	FOLLOWER	1	75	304789	SHOCK ABSORBER - starter motor	1
24	304583	SCREW	1				
25	303737	SCREW	2	76	304847	SEAL - starter motor to brk.	1
26	304751	ARM - valve actuating	1	77	307564	PACKING NUT - oil line . . .	2
27	304753	NUT - adjusting screw	2	78	306329	GLAND - oil line	2
28	304754	SCREW	2	79	302630	OIL LINE	1
29	300723	COTTER PIN	1	80	305980	SPACER - oil line	1
30	306439	WASHER	1	81	305346	SCREW	2
31	303737	SCREW	2	82	302033	COVER - leaf valve	1
32	304755	BRACKET - valve lever	1	83	302032	GASKET - leaf valve cover . .	1
33	304749	BUSHING - upper, valve lever	2	84	303761	SCREW	2
34	304750	BUSHING - lower, valve lever	1	85	304655	PLATE - leaf valve	1
35	376853	LEVER ASSEMBLY - valve actuating	1	86	302031	LEAF VALVE - c'case drain	1
36	306440	SCREW	10	87	377196	LEAF PLATE AND SCREEN	1
37	306280	CHAMBER - upper, com- pression release	2	88	305345	GASKET - leaf plate and screen to crankcase	1
38	304726	GASKET - upper chamber . . .	2	89	302030	SCREW	3
39	304706	RETAINER - valve spring . . .	2	90	306488	LOCKWASHER	3
40	304705	SPRING - release valve	2	*91	305077	BRACKET - starter mount, port	1
41	306434	SCREW	9				
42	377111	CHAMBER - lower, com- pression release	1	92	306010	SCREW	12
43	303245	PLUG - compression re- lease chamber	2	93	304790	CLAMP - high tension leads . .	1
44	304724	GASKET - lower chamber to cylinder head	1	94	305371	COVER - by-pass, upper . . .	1
45	378101	SPARK PLUG AND GASKET - champion J4JM	2	95	305370	COVER - by-pass, lower . . .	1
46	305027	SCREW	9	96	304784	GASKET - by-pass cover . . .	2
47	303782	SCREW - long	1	97	306266	ELBOW - lower by-pass cover	1
48	304763	ANCHOR - ignition leads . . .	1	98	300646	SCREW	8
49	300454	GROMMET - ignition leads . .	1	99	592886	CYLINDER AND CRANK- CASE ASSEMBLY	1
50	592951	CYLINDER HEAD	1	100	301431	SCREW - top	2
51	304720	GASKET - cylinder head . . .	1	101	302600	SCREW - bottom	2
52	377075	VALVE ASSEMBLY - com- pression release	2	102	300343	WASHER	4
53	304596	"O" RING - release valve . . .	1	103	302579	SCREW - center	2
54	306049	SCREW	15	104	300402	PIN - TAPER	2
55	302238	SCREW	1	105	304178	DOWEL - bearing, center and upper	3
				106	302622	SEAL - cylinder to crank- case, port & starboard . . .	2
				107	307608	SCREW	1

*Not used on generator equipped models.

†Replaces guard on generator equipped model, see pages 35E-14 and 35E-15.

INDENTED DESCRIPTIONS INDICATE THE PARTS ARE INCLUDED IN THE PRECEDING ASSEMBLY
35E-5

CARBURETOR



CARBURETOR

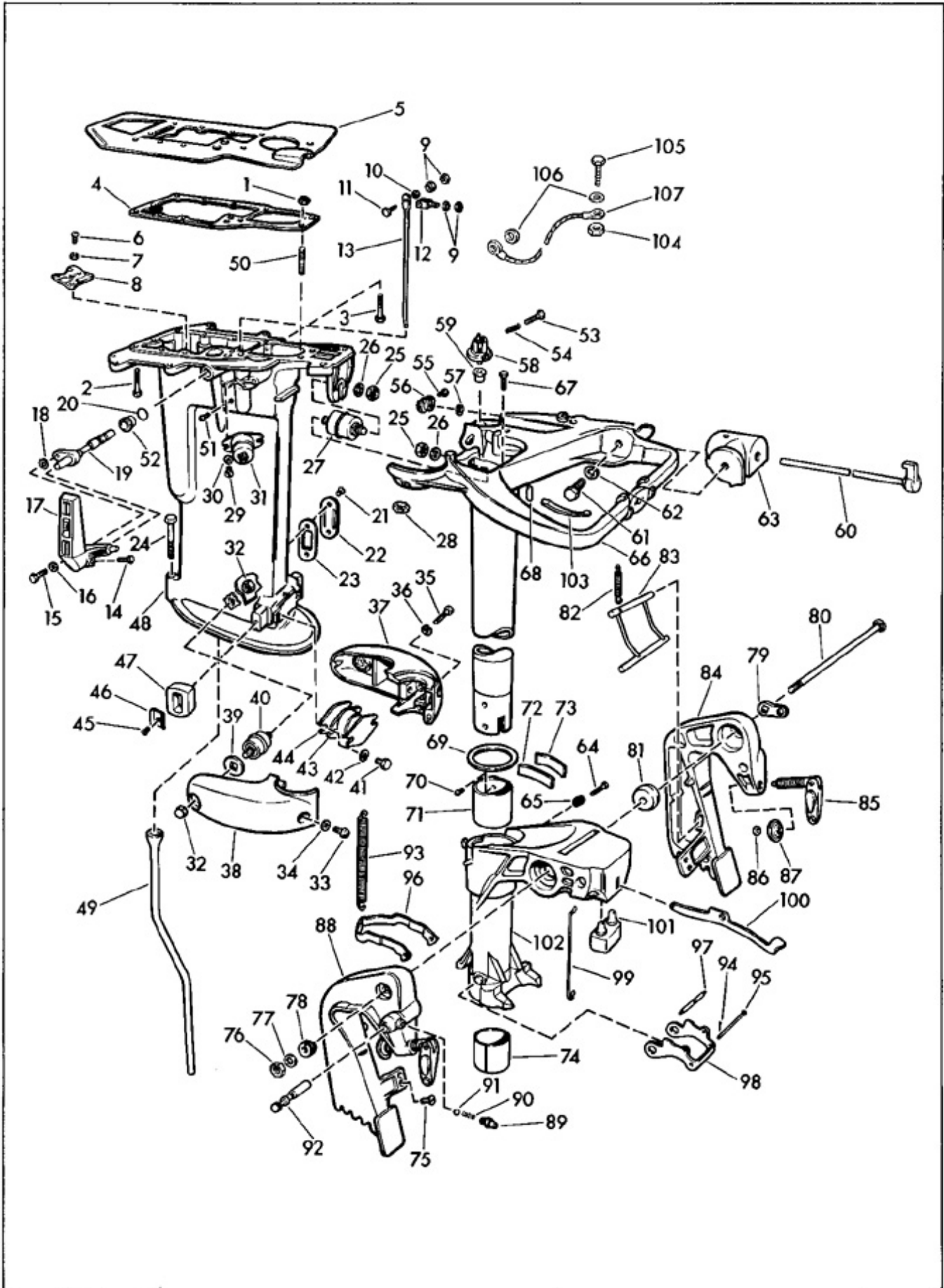
35DE13

Ref. No.	Part No.	Description	Qty.		Ref. No.	Part No.	Description	Qty.
1	307565	PIN - cam follower	2		51	551517	SCREW	1
2	305454	LINK - throttle lever to cam follower	1		52	307442	VALVE ARM - high speed	1
3	304216	BUSHING - throttle lever link	1		53	300179	NUT - high speed needle valve	1
4	303296	SPRING - cam follower to crankcase	1		54	307583	PACKING - high speed needle valve	4
5	306463	COTTER PIN	1		55	305505	VALVE - needle, high speed	1
6	301827	WASHER	1		56	306357	SCREW	4
7	303310	SPACER - cam follower . . .	1		57	303750	GASKET - carburetor body to bowl	1
8	376477	CAM FOLLOWER	1		58	303041	SCREW - drain	1
9	376478	LEVER - throttle	1		59	304031	CHAMBER - float	1
10	304888	SCREW	12		60	302661	PIN - hinge	1
11	593020	MANIFOLD AND STUD ASSEMBLY - intake	1		61	375792	FLOAT - carb. body	1
12	302822	STUD - manifold to carb. . .	2		62	304601	NOZZLE - high speed	1
13	304261	GASKET - leaf plate to c'case	1		63	375798	FLOAT VALVE AND SEAT ASSEMBLY	1
14	302104	SCREW	1		64	301996	WASHER - float valve seat	1
15	552656	GASKET - leaf plate to manifold	1		65	551517	SCREW - slow speed knob	1
16	306556	NUT - leaf screw	2		66	305442	KNOB - adjusting, slow speed	1
17	306546	LOCKWASHER	2		67	202139	RETAINING RING - high speed knob to panel	1
18	301858	SCREW	2		68	302473	BOW WASHER	1
19	304709	STOP - leaf	2		69	378045	KNOB AND SHAFT - high speed	1
20	304708	LEAF	2		70	305509	BUSHING - control panel . .	1
21	305361	LEAF PLATE	1		71	304785	SCREW	2
22	306320	NUT - carb. to manifold . . .	2		72	305441	GASKET - control panel to carburetor	1
23	306799	LOCKWASHER	2		73	305508	SCREEN - carb. intake . . .	1
24	302598	GASKET - manifold to carb.	1		74	377888	CONTROL PANEL AND TRANSFER	1
25	510193	SCREW	1		75	377489	CARBURETOR BODY, PLUG AND THROTTLE	1
*	377488	CARBURETOR ASSEMBLY - less solenoid	1		76	305507	NUT - slow speed needle valve	1
*	377234	CARBURETOR AND SOLE- NOID ASSEMBLY	1		77	306027	WASHER	2
26	301912	COTTER PIN	1		78	307583	PACKING - slow speed needle valve	2
27	306544	WASHER	1		79	303939	BUSHING - slow speed needle valve	1
28	303738	PIN - solenoid shaft	1		80	305506	NEEDLE VALVE - slow speed	1
29	303737	SCREW	2		81	306463	COTTER PIN	1
30	303740	YOKE - solenoid	1		82	307596	WASHER	1
31	303792	COVER - solenoid	1		83	303760	SCREW	2
32	377890	SOLENOID PLUNGER	1		84	304056	VALVE - throttle	1
33	303745	SPRING - solenoid	1		85	302696	SPRING - throttle shaft . .	1
34	376806	SOLENOID	1		86	306497	SCREW	1
35	307565	PIN - link	4		87	305457	CLAMP - cam bushing . . .	1
36	303734	LINK - bellcrank to sole- noid lever	1		88	305456	CAM BUSHING - throttle arm	1
37	306463	COTTER PIN	1		89	377222	THROTTLE SHAFT AND ARM	1
38	307596	WASHER	1		90	303760	SCREW	2
39	303747	LEVER - solenoid	1		91	302674	VALVE - choke	1
40	303739	SHAFT - pivot, solenoid lever	1		92	376256	CHOKE SHAFT, ARM AND PIN	1
41	305011	SPRING - bellcrank to lever	1		93	306392	CORE PLUG - slow speed chamber	1
42	306463	COTTER PIN	1					
43	307596	WASHER	1					
44	376255	BELLCRANK AND PIN	1					
45	303749	LEVER - bellcrank to choke control rod	1					
46	306479	SCREW	1					
47	302722	SPRING - choke control rod	1					
48	305515	ROD - choke control	1					
49	307207	LINK - high speed ad- justment	1					
50	306180	BUSHING - retainer	2					

*Not Shown

INDENTED DESCRIPTIONS INDICATE THE PARTS ARE INCLUDED IN THE PRECEDING ASSEMBLY

EXHAUST HOUSING AND BRACKET



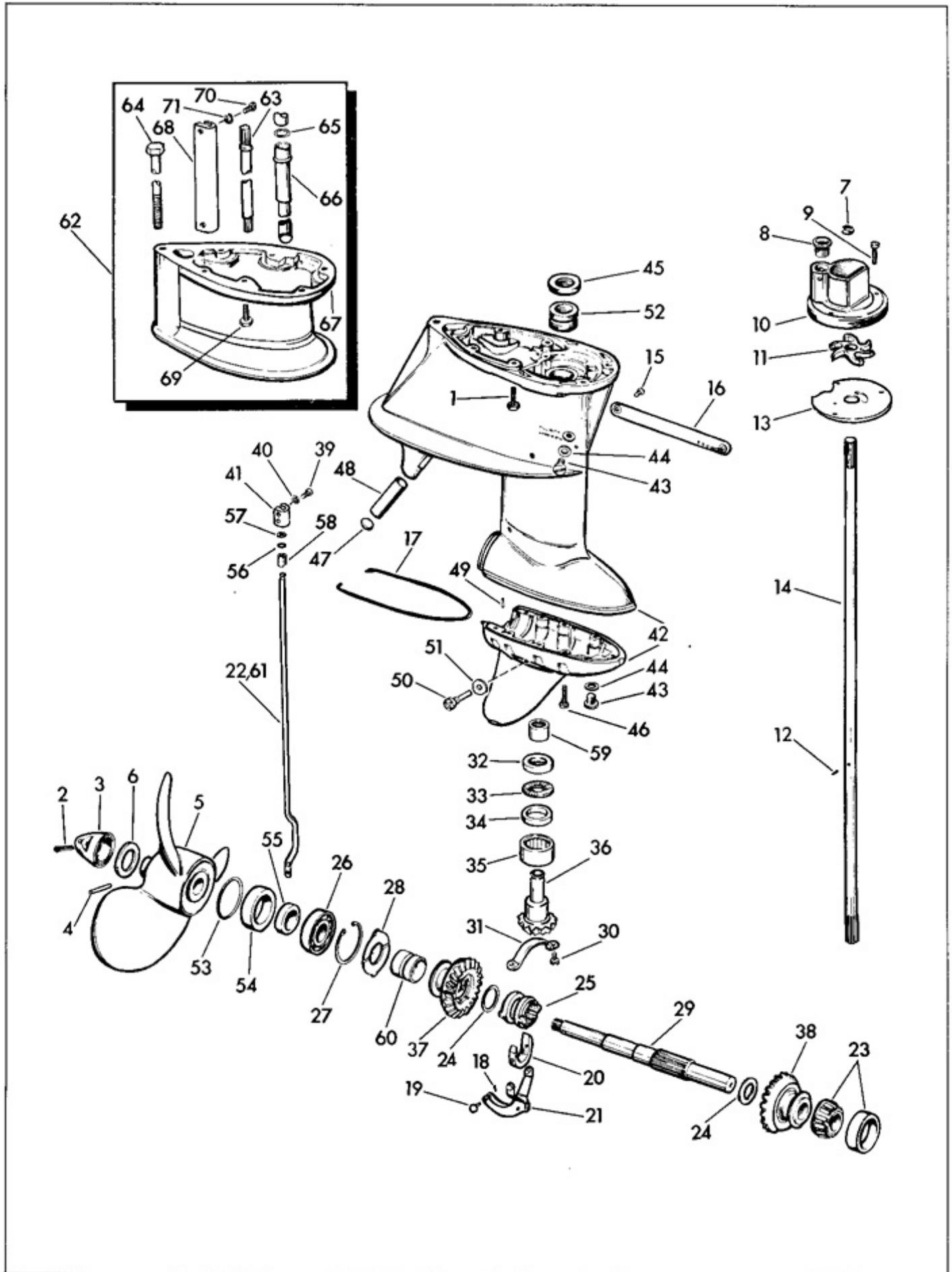
EXHAUST HOUSING AND BRACKET

35DE13

Ref. No.	Part No.	Description	Qty.	Ref. No.	Part No.	Description	Qty.
1	306320	NUT	2	60	377211	KNOB AND SHAFT	1
2	132679	SCREW	7	61	130538	SCREW	1
3	303782	SCREW	2	62	303807	LOCKWASHER	-
4	304545	GASKET - exhaust tube . .	2	63	305612	COVER - throttle control .	1
5	553751	PLATE - power head to lower unit	1	64	306468	SCREW - co-pilot	1
6	304012	SCREW	2	65	551113	SPRING - co-pilot	1
7	304454	LOCKWASHER	2	66	592937	STEERING BRACKET, PILOT SHAFT AND DOWEL ASSEMBLY	1
8	304875	PLATE - exhaust loading .	1	67	304151	SCREW	-
9	304753	NUT	4	68	300402	PIN - taper	-
10	305847	WASHER	1	69	303867	WASHER	1
11	305579	PIN - shift rod to clevis .	1	70	303696	PIN - upper liner	1
12	305824	CLEVIS - shift lever shaft	1	71	303936	LINER - upper, swivel bracket	1
13	377398	ROD - shift, upper	1	72	303929	SPACER - co-pilot, plate to liner	1
14	300258	SCREW	1	73	303928	PLATE - co-pilot	1
15	300646	SCREW	1	74	303868	ABSORBER - shock, swivel bracket	1
16	306407	WASHER	1	75	306335	SCREW	2
17	592930	HANDLE AND PIN - shift	1	76	305496	NUT	1
18	306488	LOCKWASHER	1	77	306433	WASHER	1
19	377397	BRACKET - shaft and shift	1	78	302051	SPRING - tilting shaft . .	1
20	303191	"O" RING - shift lever shaft	1	79	300364	LINK - safety chain	1
21	302509	SCREW	2	80	305495	BOLT - tilting shaft	1
22	303862	PLATE - exh. housing cover	1	81	302637	WASHER - conical, tilt shaft	2
23	304023	GASKET - exh. cover plate	1	82	302736	SPRING - tilting lever . . .	1
24	302871	SCREW	1	83	376303	TILTING LEVER	1
25	303912	NUT	2	84	378055	STERN BRACKET AND CLAMP SCREW ASSEM- BLY - port	1
26	303913	WASHER	2	85	377311	CLAMP SCREW, PLATE AND RETAINER	2
27	303882	MOUNT - upper front . . .	1	86	302420	RETAINER - swivel	2
28	303889	NUT	2	87	307561	PLATE - swivel	2
29	306461	SCREW	4	88	378056	STERN BRACKET AND CLAMP SCREW ASSEM- BLY - starboard (Incl. Items 85, 86 and 87)	1
30	303887	WASHER	4	89	307457	GREASE FITTING	1
31	303879	MOUNT - upper side	2	90	307455	SPRING - ball detent	1
32	303890	NUT	4	91	160084	BALL - detent	1
33	303883	SCREW	2	92	307456	PIN - tilting lock	1
34	303886	WASHER	2	93	303971	SPRING - reverse lock . . .	1
35	304452	SCREW	2	94	306376	COTTER PIN	2
36	302865	LOCKWASHER	2	95	303955	ROD - reverse lock	1
37	304446	HOUSING - lower mt., port	1	96	303954	LEVER - reverse locking	1
38	304447	HOUSING - lower mount, starboard	1	97	303956	SHAFT - reverse lock	1
39	304168	GASKET - rubber mount . .	4	98	303953	LINK - reverse lock	1
40	303880	MOUNT - lower side	2	99	303957	LINK - lock arm to shaft . .	1
41	303888	SCREW	2	100	303863	ARM - manual lock lever	1
42	303886	WASHER	2	101	305365	BUMPER - tilting	1
43	303881	MOUNT - lower front	1	102	553786	SWIVEL BRACKET	1
44	304169	GASKET - lower mount . . .	1	103	304076	SPRING - ground, steering bracket	1
45	303393	SCREW	2	104	306342	NUT	1
46	303961	RETAINER - bumper	2	105	304077	SCREW	1
47	303918	BUMPER - mount housing	2	106	301827	WASHER	1
48	593087	EXHAUST TUBE ASSY.	1	107	376349	CABLE AND TERMINAL - ground lead	1
49	377060	TUBE - water	1				
50	304517	STUD - head adapter	2				
51	304827	LUBRICATION FITTING	1				
52	304791	BUSHING	1				
53	304573	SCREW - idle stop	1				
54	304865	SPRING - idle stop screw	1				
55	303951	SCREW	1				
56	303142	PINION - throttle control .	1				
57	303107	WASHER	1				
58	304814	GEAR - throttle control . .	1				
59	303854	BUSHING - throttle control gear	1				

INDENTED PART DESCRIPTIONS INDICATE THE PARTS ARE INCLUDED IN THE PRECEDING ASSEMBLY

GEAR CASE

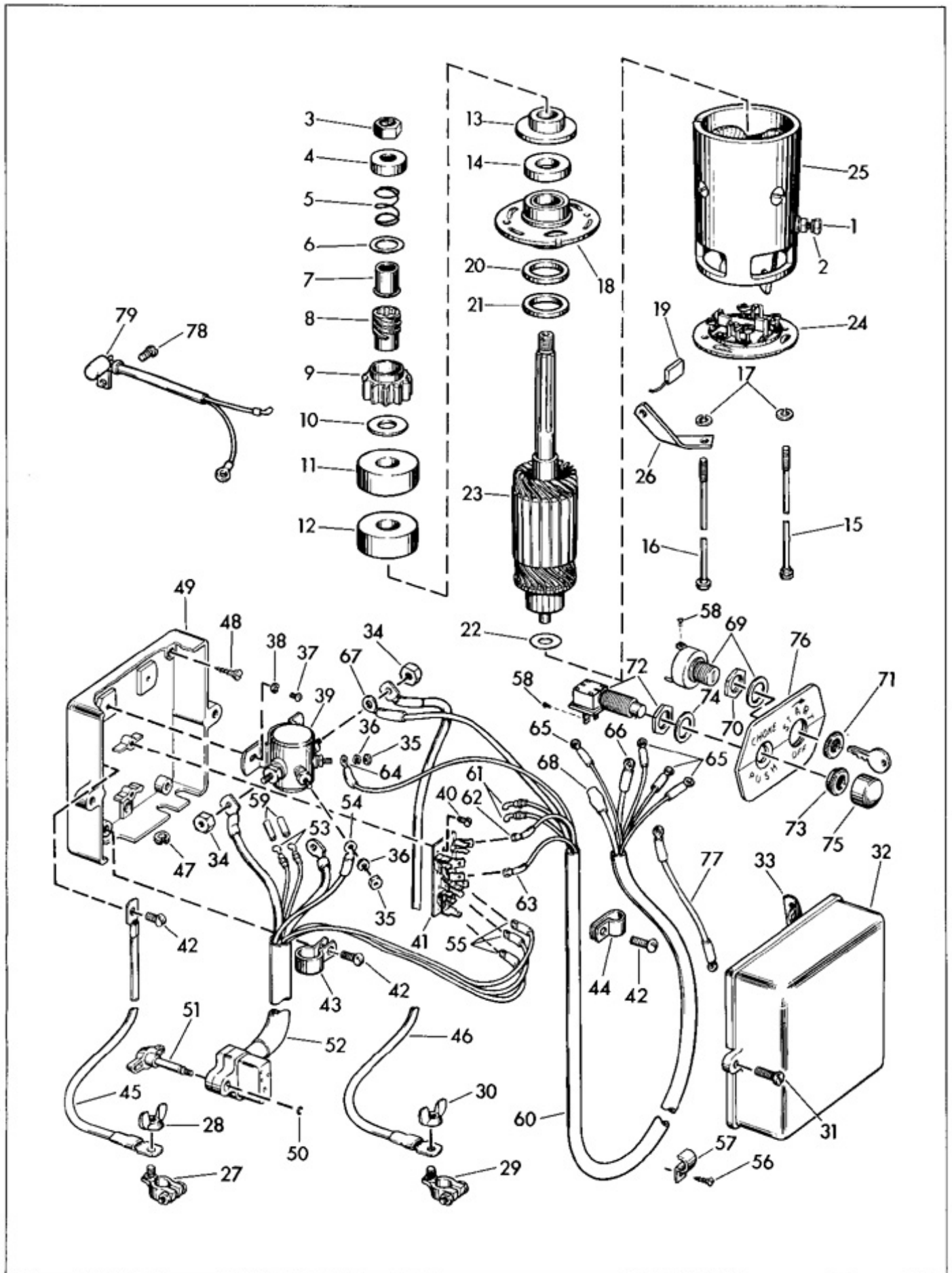


GEAR CASE

35DE13

Ref. No.	Part No.	Description	Qty.		Ref. No.	Part No.	Description	Qty.
1	302510	SCREW - gearcase to exhaust tube	6		36	304777	PINION	1
2	306394	PIN COTTER - prop. nut	1		37	305293	GEAR - rear, reversing	1
3	305294	NUT - propeller	1		38	377174	GEAR AND BUSHING ASSEMBLY - front	1
4	304575	DRIVE PIN	1		39	304024	SCREW	2
5	277617	PROPELLER AND BUSHING	1		40	301551	LOCKWASHER	2
6	304576	THRUST WASHER - propeller	1		41	303794	CONNECTOR - shift rod	1
*	377507	GEARCASE ASSEMBLY COMPLETE	1		42	376877	GEARCASE ASSEMBLY	1
7	303059	SEAL - driveshaft to crankcase	1		43	307551	SCREW - oil drain and fill	2
8	304026	GROMMET - water tube	1		44	307552	WASHER - drain and fill screw	2
9	302677	SCREW - impeller housing	3		45	302545	RETAINER - oil driveshaft	1
10	303831	HOUSING - water pump impeller	1		46	304070	SCREW - gearcase	9
11	375808	IMPELLER - water pump	1		47	300077	PLUG - water intake screen	1
12	300771	PIN - impeller	1		48	302521	SCREEN - water intake	1
13	303866	PLATE - impeller housing	1		49	300611	DOWEL - gearcase	1
14	553896	DRIVESHAFT	1		50	303358	PIN - pivot, shift lever	1
15	302509	SCREW - water bypass cover	2		51	304083	WASHER - pivot pin	1
16	302616	COVER - water bypass	1		52	304084	BUSHING - driveshaft to gearcase	1
17	302604	SEAL - lower to upper gearcase	1		53	302588	O-RING - oil retainer housing	1
18	306376	PIN COTTER - shift lever	1		54	303050	HOUSING - oil retainer	1
19	302504	PIN - shift rod	1		55	302564	RETAINER - oil propeller shaft	1
20	305286	CRADLE - shift lever	1		56	301877	O-RING - lower shift rod seal	1
21	305288	SHIFTER LEVER	1		57	304764	GASKET - shift rod bushing to gearcase	1
22	305287	SHIFT ROD - lower	1		58	304765	BUSHING - lower shift rod	1
23	375761	PROPELLER SHAFT ROLLER BEARING & CUP ASSEMBLY	1		59	376856	PINION BRG. - upper	1
24	302565	WASHER - thrust, propeller shaft	2		60	303690	BUSHING - reverse gear	1
25	305105	SHIFTER CLUTCH DOG	1		Parts for motors equipped with 5" longer lower units (DL)			
26	307545	BEARING - ball, propeller shaft	1		61	305519	SHIFT ROD - lower 5 in. longer	1
27	302528	RING - gearcase ret.	1		62	377469	EXTENSION KIT ASSEMBLY	1
28	302743	WASHER - thrust reverse gear	1		63	553906	DRIVESHAFT 5 in. longer	1
29	305104	SHAFT - propeller	1		64	304135	SCREW - gearcase extension, rear	1
30	303737	SCREW - driveshaft support	2		65	304174	O-RING - adapter	1
31	302552	SUPPORT - driveshaft	1		66	304175	ADAPTER - water tube	1
32	304795	THRUST WASHER - pinion, upper	1		67	304030	EXTENSION - gearcase	1
33	376857	BEARING - pinion thrust	1		68	304081	CONNECTOR - shift rod	1
34	304796	THRUST WASHER - pinion, lower	1		69	302510	SCREW - extension to exhaust tube	6
35	376858	PINION BEARING - lower	1		70	304024	SCREW	2
					71	301551	LOCKWASHER	2

*Not Shown



STARTER MOTOR - JUNCTION BOX - SWITCH PLATE 35DE13, 35DG-13

Ref. No.	Part No.	Description	Qty.	Ref. No.	Part No.	Description	Qty.
*	278023	STARTER MOTOR ASSEMBLY, complete . . .	1	40	303394	SCREW - terminal block to base	2
1	303932	NUT - starter terminal	1	41	377313	TERMINAL BLOCK . . .	1
2	303396	LOCKWASHER - starter terminal	1	42	305010	SCREW - cable clamps & battery cable to base .	3
*	277706	BENDIX DRIVE ASSY. . .	1	43	204008	CLAMP - motor cable to base	1
3	307296	NUT - drive	1	44	307444	CLAMP - switch cable to base	1
4	204375	STOP - pinion	1	45	277633	CABLE ASSEMBLY - battery, negative . . .	1
5	204078	SPRING - anti-drift . .	1	46	277632	CABLE ASSEMBLY - battery, positive . . .	1
6	204071	WASHER - pinion . . .	1	47	304922	GROMMET - battery cable, positive	1
7	204075	SLEEVE - anti-drift . .	1	48	303776	SCREW - base to boat . .	3
8	204074	SHAFT - screw	1	49	307388	BASE - junction box . .	1
9	204080	PINION - starter motor	1	50	304816	RING - stud retaining . .	1
10	204070	WASHER - thrust cup	1	51	377356	KNOB AND STUD	1
11	204072	CUP - cushion	1	52	377278	CABLE ASSEMBLY - junction box to connector	1
12	204073	CUSHION - starter motor	1	53	203529	TERMINAL - knife disconnect	2
13	204077	SPACER - cushion . . .	1	54	204036	TERMINAL - ring	1
14	204076	WASHER - thrust, starter motor	1	55	204034	TERMINAL - slip-on . . .	3
15	204590	SCREW - frame, long . .	1	56	305009	SCREW - switch cable clamp to boat	4
16	204591	SCREW - frame, short	1	57	304494	CLAMP - switch cable to boat	4
17	306396	LOCKWASHER - frame screw	2	58	306559	SCREW - choke and starter switch	6
18	278236	END PLATE - starter motor	1	59	303806	TUBING - insulating . . .	2
19	277707	BRUSH SET	1	60	377974	CABLE ASSY - switch plate to junction box . .	1
20	204589	WASHER - thrust, fiber	1	61	203529	TERMINAL - knife disconnect	2
21	204588	WASHER - thrust, upper armature	1	62	204034	TERMINAL - slip-on (red wire)	1
22	204588	WASHER - thrust, lower armature	1	63	204035	TERMINAL - slip-on (brown wire)	1
23	278188	ARMATURE	1	64	204036	TERMINAL - ring end . . .	1
24	278243	END HEAD - commutator	1	65	204037	TERMINAL - ring end . . .	4
25	**	FRAME AND FIELD	1	66	204038	TERMINAL - ring end . . .	1
26	307514	STRAP - starter motor to bracket	1	67	204053	TERMINAL - ring end . . .	1
†	592530	JUNCTION BOX AND SWITCH PLATE ASSY. . .	1	68	204039	TERMINAL - ring end . . .	1
27	277623	BATTERY TERMINAL - negative	1	69	278186	SWITCH AND KEY ASSEMBLY - STARTER .	1
28	203980	NUT - wing, negative terminal	1	70	304644	NUT - switch and key assembly	1
29	277622	BATTERY TERMINAL - positive	1	71	204366	NUT - face, starter switch	1
30	203979	NUT - wing, positive terminal	1	72	277756	SWITCH ASSY. CHOKE . . .	1
31	306461	SCREW - cover to base	2	73	203658	NUT - choke switch to plate	1
†32	203984	COVER and TRANSFER - junction box	1	74	301663	WASHER - choke switch . .	1
33	306766	TRANSFER - wiring diagram	1	75	203660	COVER - choke switch button	1
34	303783	NUT - battery and motor cable to solenoid	2	76	553298	SWITCH PLATE	1
35	306556	NUT - switch wire to solenoid	2	77	377976	CABLE ASSEMBLY - choke switch	1
36	120052	LOCKWASHER - solenoid nut	2	78	303951	SCREW - mercury switch	1
37	303274	SCREW - solenoid to base	2	79	593001	MERCURY SWITCH	1
38	306561	WASHER - solenoid to base screw	1				
39	277628	SOLENOID - starting switch	1				

*Not Shown

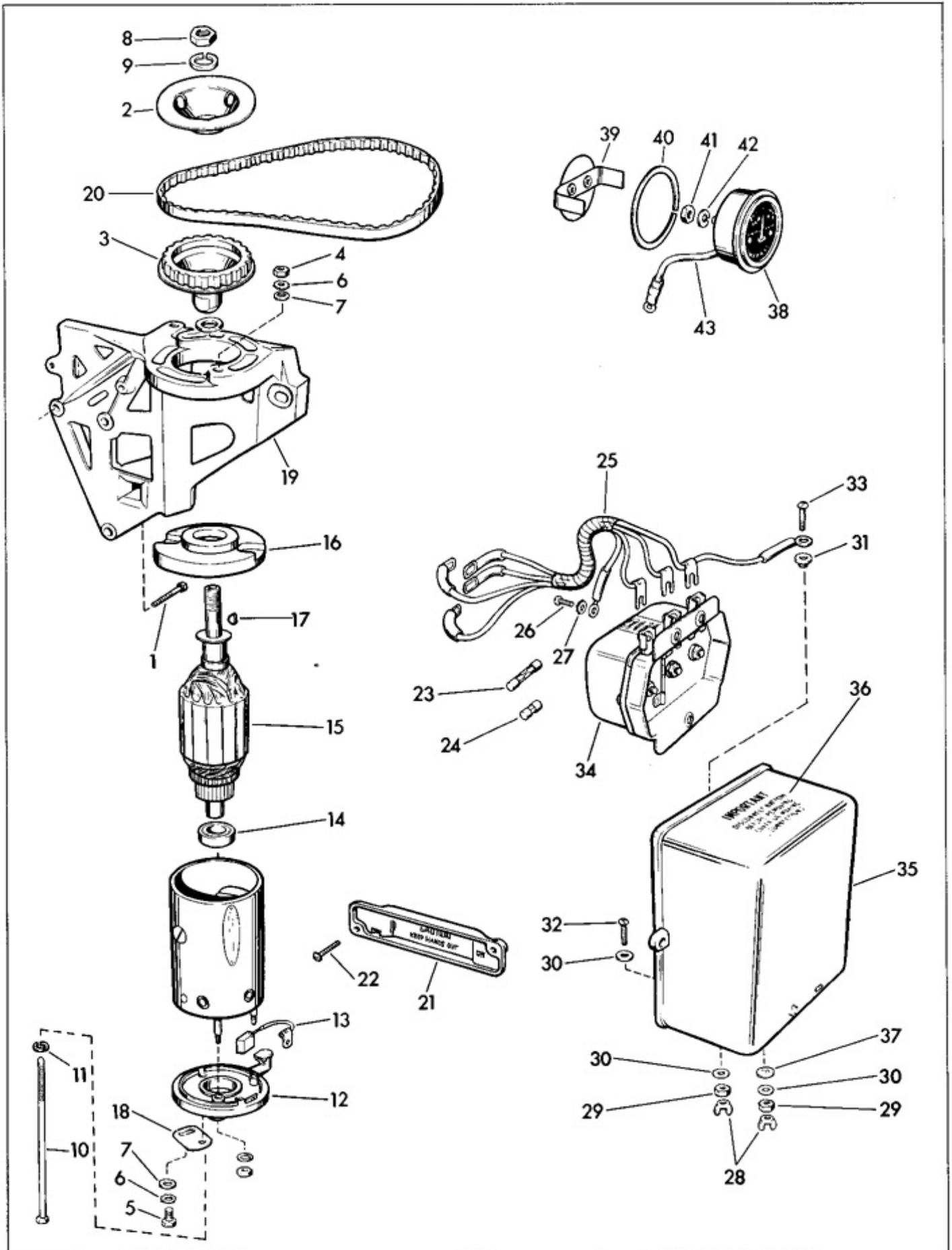
**See Auto-Lite dealer for correct part

†For Part No. on Generator Equipped Model, see page 15.

For Generator Equipped Models, see pages 35E-14 and 35E-15 for parts not found here.

INDENTED DESCRIPTIONS INDICATE THE PARTS ARE INCLUDED IN THE PRECEDING ASSEMBLY

35DG13 GENERATOR - JUNCTION BOX COVER - REGULATOR AND AMMETER FOR GENERATOR EQUIPPED MODELS ONLY



GENERATOR - JUNCTION BOX COVER - REGULATOR AND AMMETER

35DG-13

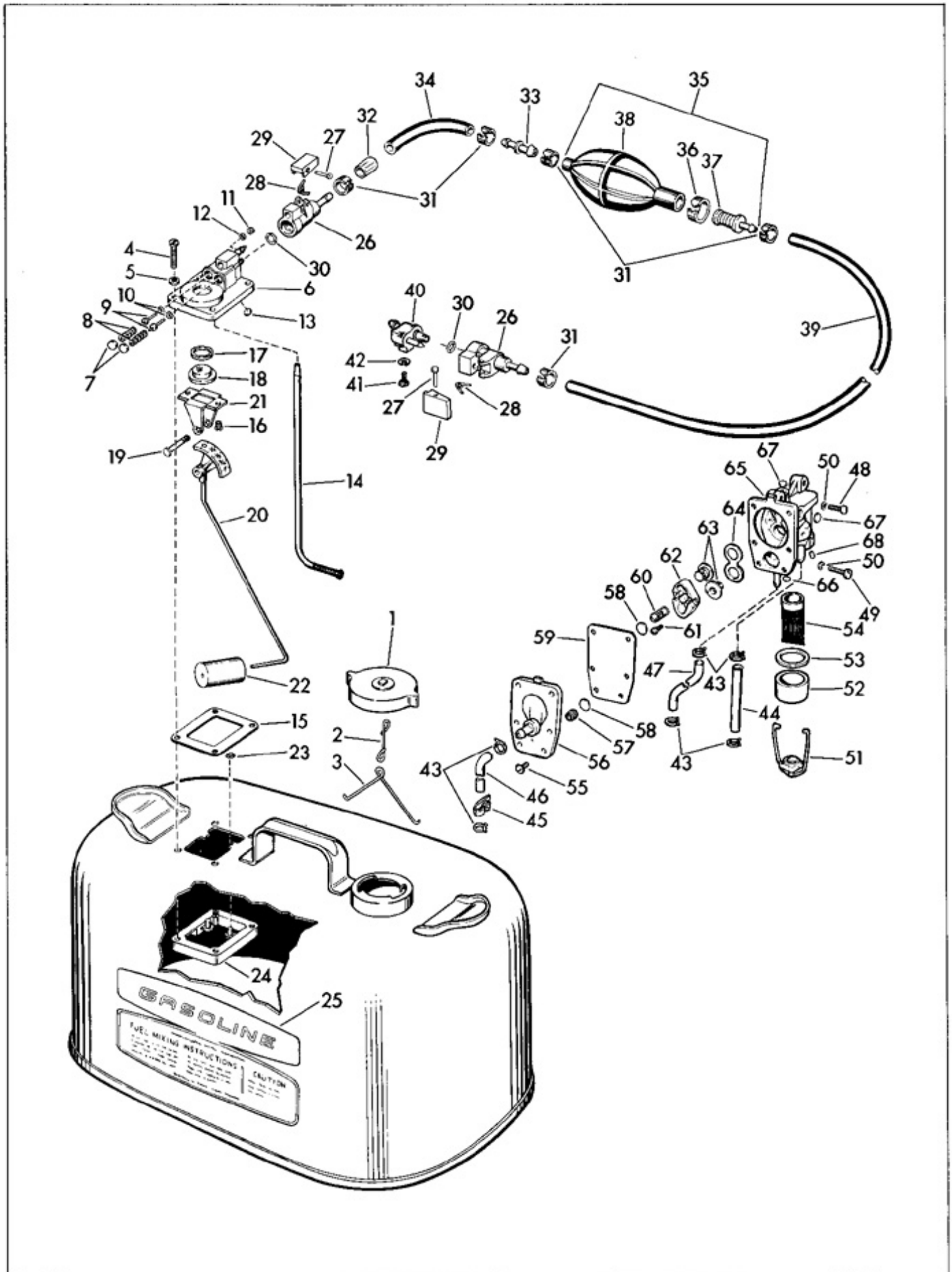
Ref. No.	Part No.	Description	Qty.	Ref. No.	Part No.	Description	Qty.
1	305413	SCREW - generator bracket to crankcase	2	22	306469	SCREW	1
2	305415	FLANGE - generator pulley	1	23	304980	FUSE - power take of 20 amp	1
3	305411	PULLEY - generator . . .	1	24	304981	FUSE - voltage regulator, field - 4 amp	1
4	306375	NUT	2	25	377319	CABLE ASSEMBLY - regulator to terminal block assembly.	1
5	306419	SCREW	1	26	304992	SCREW	3
6	306488	LOCKWASHER	2	27	302474	WASHER	2
7	306407	WASHER	3	28	304983	WING NUT	2
*	377005	GENERATOR ASSEMBLY	1	29	130450	NUT	2
8	130981	. NUT	1	30	304982	WASHER	3
9	303807	. LOCKWASHER	1	31	305977	WASHER - inner	1
10	307663	. SCREW	2	32	304985	SCREW - short	1
11	306488	. LOCKWASHER	2	33	304986	SCREW - long	1
12	378165	. COMMUTATOR END HEAD	1	34	377001	VOLTAGE REGULATOR .	1
13	277745	. BRUSH SET	1	†35	304977	COVER TRANS. FEED - regulator and junction box	1
14	378162	. BALL BEARING - commutator	1	†36	305075	. TRANSFER - warning .	1
15	378164	. ARMATURE - generator	1	37	305978	WASHER - outer	1
16	378163	. DRIVE END HEAD . . .	1	38	378032	AMMETER ASSEMBLY .	1
17	306399	. KEY	1	39	378049	. BRACKET - ammeter .	1
18	204130	. BRACKET STRAP . . .	1	40	304978	WASHER	1
19	305679	BRACKET - starter hsg. to generator mounting, port	1	41	306556	NUT	2
20	307577	BELT - generator drive .	1	42	120052	LOCKWASHER	2
21	307460	GUARD - ring gear and generator brkt. support	1	43	377003	CABLE - ammeter to starter switch	1

*Not Shown

†For other electrical parts not shown here, see pages 35E-12 and 35E-13.

NOTE: The Junction Box, Regulator and Switch Plate are available as an assembly, including items 23 thru 43 on this page, items 27 thru 31 and 34 thru 77 on page 35E-13. Order Part No. 592956. Price \$101.75.

FUEL TANK AND PUMP



FUEL TANK AND PUMP

35DE13

Ref. No.	Part No.	Description	Qty.		Ref. No.	Part No.	Description	Qty.
*	592900	GAS TANK ASSEMBLY . .	1		34	305871	HOSE - primer bulb to connector	1
1	377536	. GAS CAP ASSEMBLY . .	1		35	592131	. PRIMER BULB, NIPPLE AND CLAMP	1
2	305994	. . LINK - anchor	1		36	553166	. . CLAMP - large, fuel hose	1
3	552331	. . ANCHOR - gas cap . .	1		37	592242	. . NIPPLE AND VALVE . .	1
4	304888	. SCREW	4		38	553164	. . PRIMER BULB	1
5	305863	. WASHER	4		39	305872	. HOSE-long, primer bulb to connector	1
6	378097	. HOUSING AND NIPPLE - upper	1		40	376154	BODY ASSEMBLY - fuel connector	1
7	303405	. . PLUG - core	2		41	303311	SCREW	1
8	305860	. . SPRING - fuel release valve	2		42	306488	LOCKWASHER	1
9	305859	. . VALVE - fuel release . .	2		43	552199	CLAMP - hose, connector to pump	6
10	305857	. . O-RING - valve seat . .	2		44	305422	HOSE - connector to pump . .	1
11	305861	. . RETAINER - O-RING . .	1		45	305372	CLAMP - hose to cylinder head	1
12	305862	. . O-RING - fuel connector seal	1		46	303640	HOSE - pump to by-pass cover	1
13	305243	. . PLUG - core	1		47	305700	HOSE - pump to carburetor . .	1
14	377429	. . FUEL LINE AND SCREEN	1		48	132679	SCREW - fuel pump to exhaust cover	2
15	305867	. GASKET - gas tank to housing	1		49	302238	SCREW - fuel pump to cylinder	1
16	302323	. SCREW	2		50	302376	LOCKWASHER - fuel pump screw	3
17	302571	. SEAL - glass	1		*	377602	FUEL PUMP ASSEMBLY	1
18	302568	. GLASS - gas tank	1		51	377600	. YOKE ASSEMBLY	1
19	305821	. PIN - indicator	1		52	303967	. FILTER BOWL	1
20	377428	. INDICATOR	1		53	302675	. GASKET - filter bowl . .	1
21	305864	. SUPPORT - indicator . .	1		54	305185	. FUEL FILTER	1
22	302559	. FLOAT - indicator	1		55	307175	. SCREW - cover to pump . .	6
23	305873	. FASTENER - support plate	1		56	377142	. COVER AND NIPPLE - fuel pump	1
24	307479	. PLATE - support	1		57	305183	. SPRING - air dome	1
25	553833	. TRANSFER - gasoline tank	1		58	304094	. SUPPORT - diaphragm . .	2
*	377433	FUEL CONNECTOR, HOSE AND PRIMER BULB ASSEMBLY	1		59	305186	. DIAPHRAGM - fuel pump . .	1
26	376156	. FUEL CONNECTOR HOUSING	2		60	305182	. SPRING - diaphragm . . .	1
27	301832	. . RIVET - lock, fuel connector	1		61	306552	. SCREW - retainer to body	2
28	301829	. . SPRING - lock, fuel connector	1		62	305087	. RETAINER - valve	1
29	301830	. . LOCK - fuel connector . .	1		63	377143	. VALVE - fuel pump	2
30	303598	. . O-RING - seal, fuel connector	1		64	305184	. GASKET - valve	1
31	303596	. CLAMP - small, fuel hose	5		65	377487	. BODY AND PLUG - fuel pump	1
32	306801	. SLEEVE - "tank end" . .	1		66	306442	. . PLUG - core	1
33	591841	. NIPPLE AND VALVE ASSEMBLY	1		67	303405	. . PLUG - core	2
					68	304105	. . PLUG	1

*Not Shown