

Johnson motors

**parts
catalog**

1956

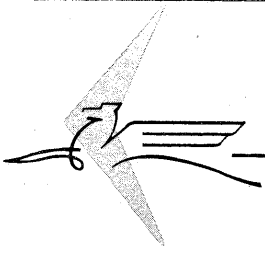
MODELS

JW-JWL-12 & 12R

3hp

W A U K E G A N , I L L I N O I S

PART NO. 376743



J O H N S O N M O T O R S

NOTE

PARTS THAT DIFFER IN MODELS JW-12 & JW-12R
MOTORS, ARE IDENTIFIED BY MODEL NUMBERS

WARRANTY

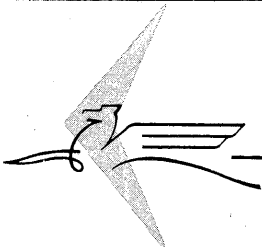
We warrant each new outboard motor of our manufacture to be free from defects in material and workmanship under normal use and service, our obligation under this warranty being limited to making good at the factory any part or parts thereof which shall, within three months after initial use, or within one year from date of original purchase, whichever first occurs, be returned to us with transportation charges prepaid, and which our examination shall disclose to our satisfaction to have been thus defective; this warranty being expressly in lieu of all other warranties and representations expressed or implied and of all other liabilities in connection with the sale or use of any motors.

This warranty shall not apply to any motor which shall have been repaired or altered outside the factory in any way so as to affect its stability, nor which has been subject to misuse, negligence or accident, or operated for racing purposes or operated in any other way than in accordance with our operating instructions.

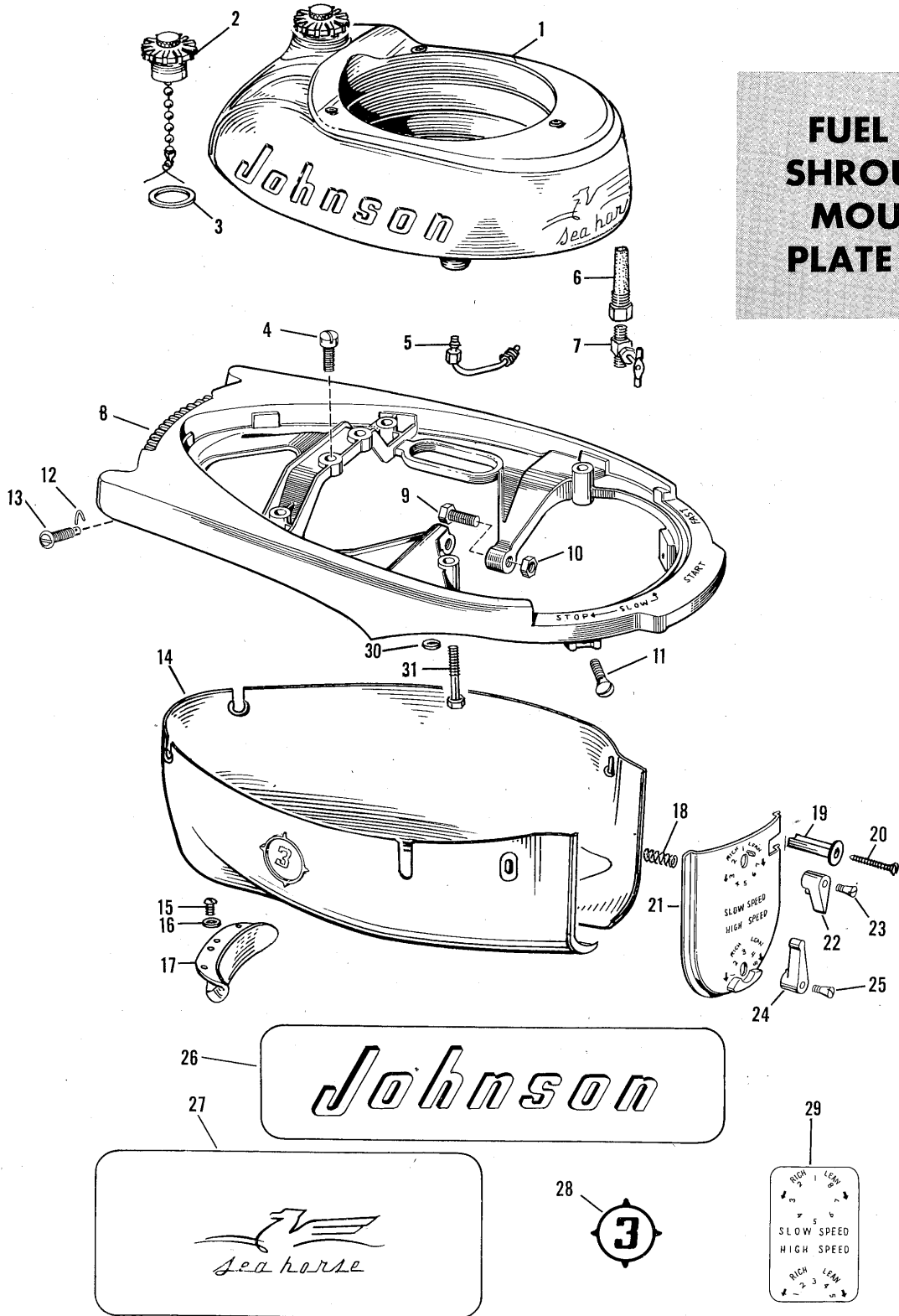
We make no warranty in respect to trade accessories not of our manufacture, inasmuch as they are usually warranted separately by their respective manufacturers.

Because of the unusual strains and accidents to which such products may be subjected, we make no warranty of either material or workmanship in racing outboard motors or any of our products when used for racing.

Claims must be entered on motors or motor parts returned to the factory for inspection, repair or replacement. Request form No. SE-16 from local Johnson Dealer or Service Station. **This form should be filled in, signed by the motor owner and dealer or service station representatives and mailed to the factory with returned material. TRANSPORTATION CHARGES PREPAID.**



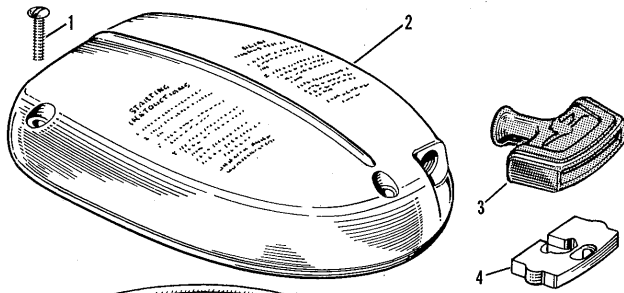
**FUEL TANK,
SHROUD AND
MOUNTING
PLATE GROUP**



BE SURE TO SPECIFY MODEL AND SERIAL NUMBER
OF MOTOR WHEN ORDERING PARTS

PHOTO NO.	PART NO.	NAME OF PART	QTY. PER MOTOR
1	376537	Fuel Tank, Transfer and Filter Assembly	1
2	375514	Filler Cap Assembly	1
3	5-48	Gasket	1
4	21-167	Screw	3
5	375972	Fuel Line Assembly	1
6	277187	Filter Assembly	1
7	300612	Shut Off Valve	1
8	304199	Mounting Plate	1
9	300635	Screw	2
10	19-136	Nut	4
11	300290	Screw	2
12	41-110	Pin	2
13	300616	Screw	2
14	376545	Shroud, Handle and Transfer Assembly	1
15	39-169	Screw	5
16	3-28	Lockwasher	5
17	301727	Handle	1
18	302993	Spring	2
19	203189	Choke Knob	1
20	303060	Screw	1
21	376521	Control Panel and Transfer	1
22	303847	Adjusting Knob - Slow Speed	1
23	551517	Screw	2
24	304360	Adjusting Knob - High Speed	1
25	551517	Screw	2
26	304331	Transfer - Johnson - Port - Star	2
27	304339	Transfer - Sea Horse - Front	1
28	304353	Transfer - "3" Port - Star	2
29	304316	Transfer - Control Panel	1
30	19-124	Lockwasher	10
31	303459	Screw	4

ORDER ALL PARTS FROM YOUR JOHNSON SEA-HORSE DEALER



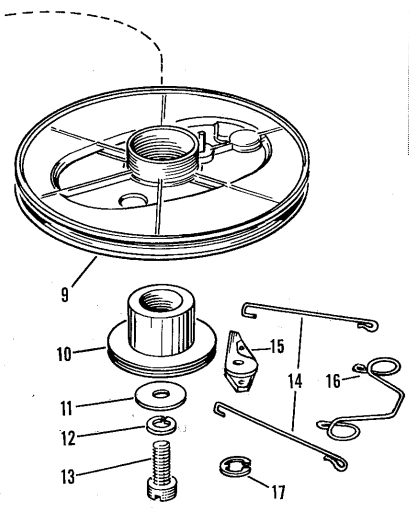
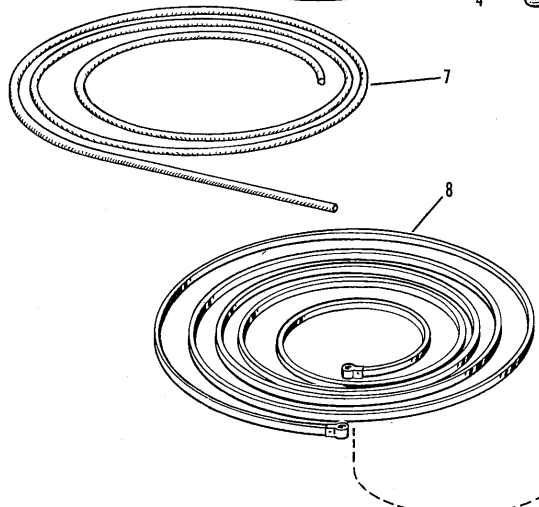
STARTING INSTRUCTIONS

1. Open gas valve and air vent.
2. Set magneto lever to Start position.
3. Pull choke out and start; additional choke as needed.
4. Control the speed lever while motor is warm and operating or full power.

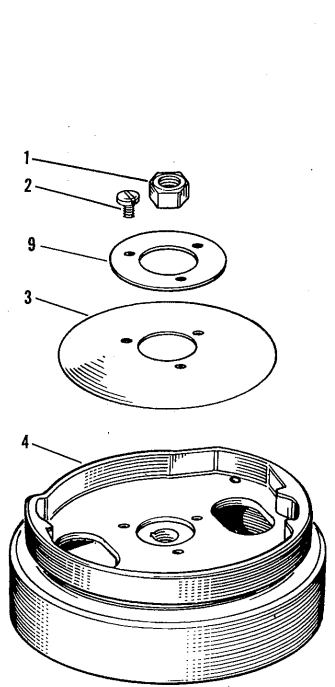
Read the instruction book
SPARK PLUG: Champion J6J or
Auto-Lite A34
JOHNSON MOTORS
MILWAUKEE, WIS., U.S.A.

OILING INSTRUCTIONS

1. Mix 1/2 pint of Mobil Oil Outboard with each gallon of Regular gasoline.
2. We recommend Mobil Oil Outboard or other Outboard oil, or an S.A.E. 30 Regular automotive engine oil.
3. Lubricate gear case with Mobilube GX-90 or any other good oil suitable for automotive hypoid gears every 1 to 4 weeks.
- 3 H.P. G.S.E. CERTIFIED AT 4000 R.P.M.



STARTER GROUP



MAGNETO GROUP

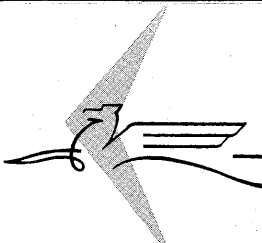
BE SURE TO SPECIFY MODEL AND SERIAL NUMBER
OF MOTOR WHEN ORDERING PARTS

JW-JWL-12 & 12R

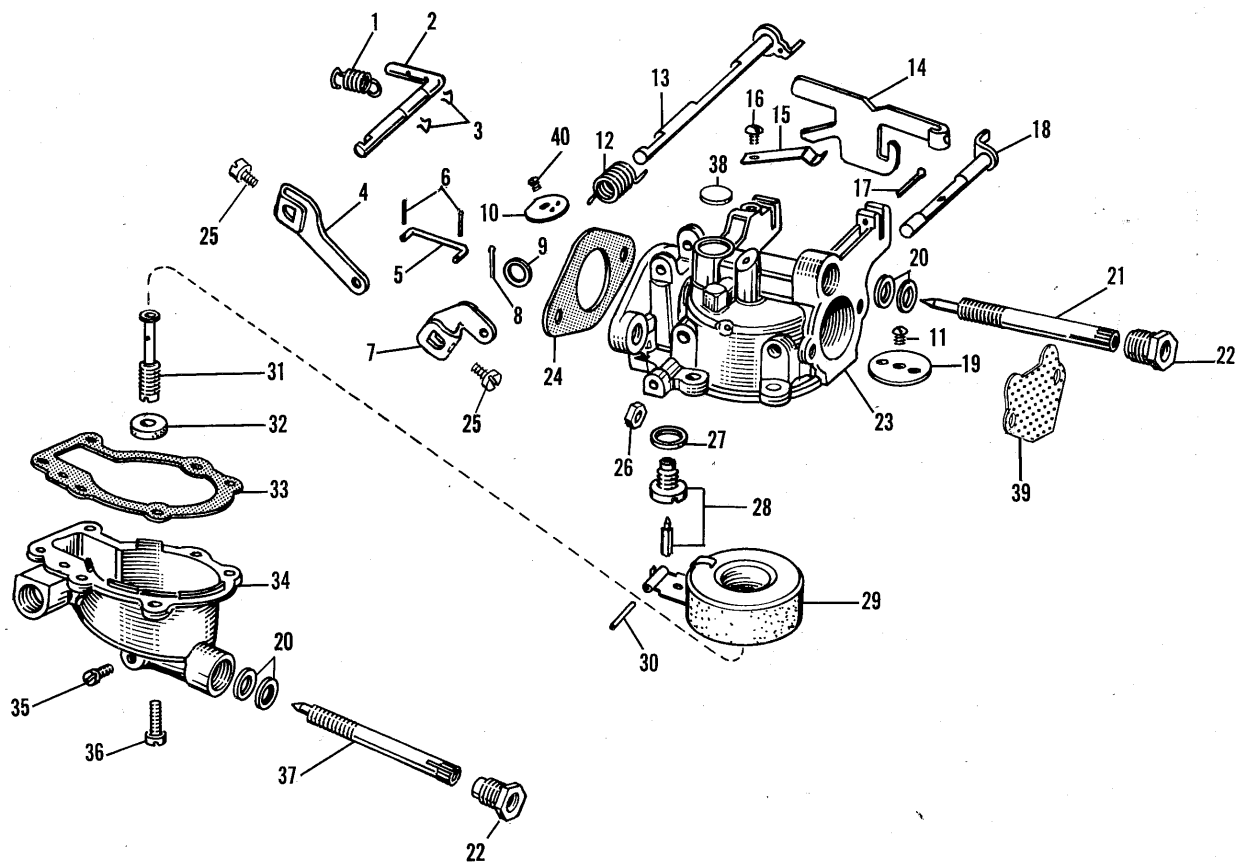
PHOTO NO.	PART NO.	NAME OF PART	QTY. PER MOTOR
1	300633	Screw	3
2	376644	Starter Housing and Transfer Assembly	1
	(376671	Starter Assembly Complete)	1
3	304324	Handle (Model JW-12)	1
	304504	Handle (Model JW-12R)	1
4	304323	Anchor	1
5	304374	Transfer - Starting	1
6	304375	Transfer - Oiling	1
7	203818	Rope - Starter	1
8	41-197	Spring	1
9	376645	Starter Pulley and Pin	1
10	203699	Spindle	1
11	202356	Washer	1
12	13-51	Lockwasher	1
13	131991	Screw	1
14	203700	Link - Friction Spring to Pawl	2
15	203698	Pawl	1
16	203697	Friction Spring	1
17	203470	Retaining Ring - Starter Pawl	1

PHOTO NO.	PART NO.	NAME OF PART	QTY. PER MOTOR
1	130743	Nut	1
2	304512	Screw	3
3	203703	Cover	1
4	580188	Flywheel Assembly	1
5	510191	Screw	2
6	510195	Screw	4
7	580118	Coil and Lamination Assembly	2
8	71-1052	Spring Clip	2
9	304513	Plate	1
10	510278	Screw	2
11	510208	Bow Washer	2
12	510192	Screw	2
13	510204	Clip	2
14	510185	Eccentric Screw	2
15	510188	Oiler Clip	1
16	510189	Oiler Wick	1
17	510232	Rubber Cover	2
18	510231	Spring Terminal	2
19	71-1239	Marker	1
20	510201	High Tension Lead - Upper	1
	(580142	High Tension Lead Assembly - Upper)	1
21	510239	High Tension Lead - Lower	1
	(580186	High Tension Lead Assembly - Lower)	1
22	510190	Clamp	2
23	510193	Screw	4
24	375741	Timing Lever	1
25	300154	Washer	2
26	302750	Screw	2
27	71-1026	Washer	1
28	71-1106	Screw	1
29	3-28	Lockwasher	5
30	39-169	Screw	5
31	203147	Cam	1
32	510173	Condenser	2
33	510193	Screw	4
34	510194	Screw	2
35	580121	Armature Plate and Post Assembly	1
	(580185	Armature Plate Assembly Complete)	1
36	580148	Breaker Assembly Complete	2
37	3-28	Lockwasher	5

ORDER ALL PARTS FROM YOUR JOHNSON SEA-HORSE DEALER



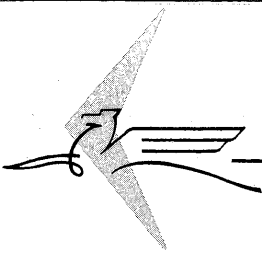
CARBURETOR GROUP



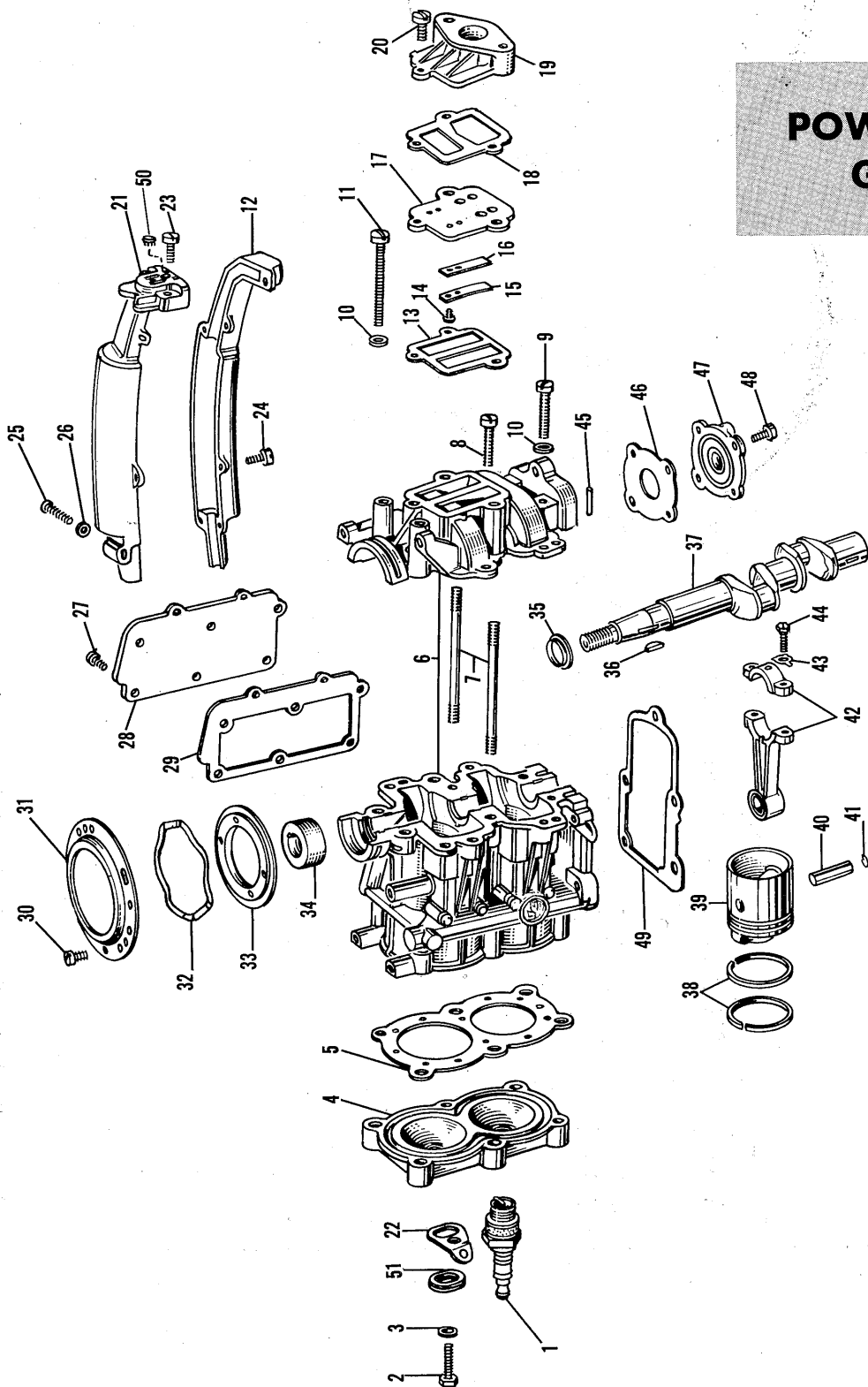
BE SURE TO SPECIFY MODEL AND SERIAL NUMBER
OF MOTOR WHEN ORDERING PARTS

PHOTO NO.	PART NO.	NAME OF PART	QTY. PER MOTOR
1	203166	Spring	1
2	203162	Follower	1
3	71-1052	Spring Clip	2
4	376726	Lever & Screw Assembly	1
5	203164	Link	1
6	41-110	Pin	2
7	376725	Lever & Screw Assembly	1
8	303049	Cotter Pin	1
9	303048	Washer	1
10	302983	Throttle Valve	1
11	303760	Screw	1
12	302996	Spring	1
13	375922	Throttle Shaft & Lever Assembly	1
14	302997	Choke Rod	1
15	302977	Spring	1
16	302430	Screw	1
17	21-163	Cotter Pin	1
18	375921	Choke Shaft and Lever Assembly	1
19	302979	Choke Valve	1
20	43-123	Packing	4
21	302991	Needle Valve - Slow Speed	1
22	300179	Nut	2
23	375973	Carburetor Body and Plug Assembly	1
	(376013	Carburetor Assembly Complete)	1
24	303003	Gasket	1
25	71-1038	Screw	2
26	19-136	Nut	4
27	301996	Washer	1
28	375918	Float Valve and Seat Assembly	1
29	375919	Float and Arm Assembly	1
30	300096	Hinge Pin	1
31	302986	Nozzle	1
32	302984	Gasket	1
33	302994	Gasket	1
34	302985	Float Chamber	1
35	303041	Screw	1
36	71-1589	Screw	5
37	302992	Needle Valve - High Speed	1
38	27-309	Plug	1
39	203320	Screen	1
40	304038	Screw	1

ORDER ALL PARTS FROM YOUR JOHNSON SEA-HORSE DEALER



POWER HEAD GROUP



BE SURE TO SPECIFY MODEL AND SERIAL NUMBER
OF MOTOR WHEN ORDERING PARTS

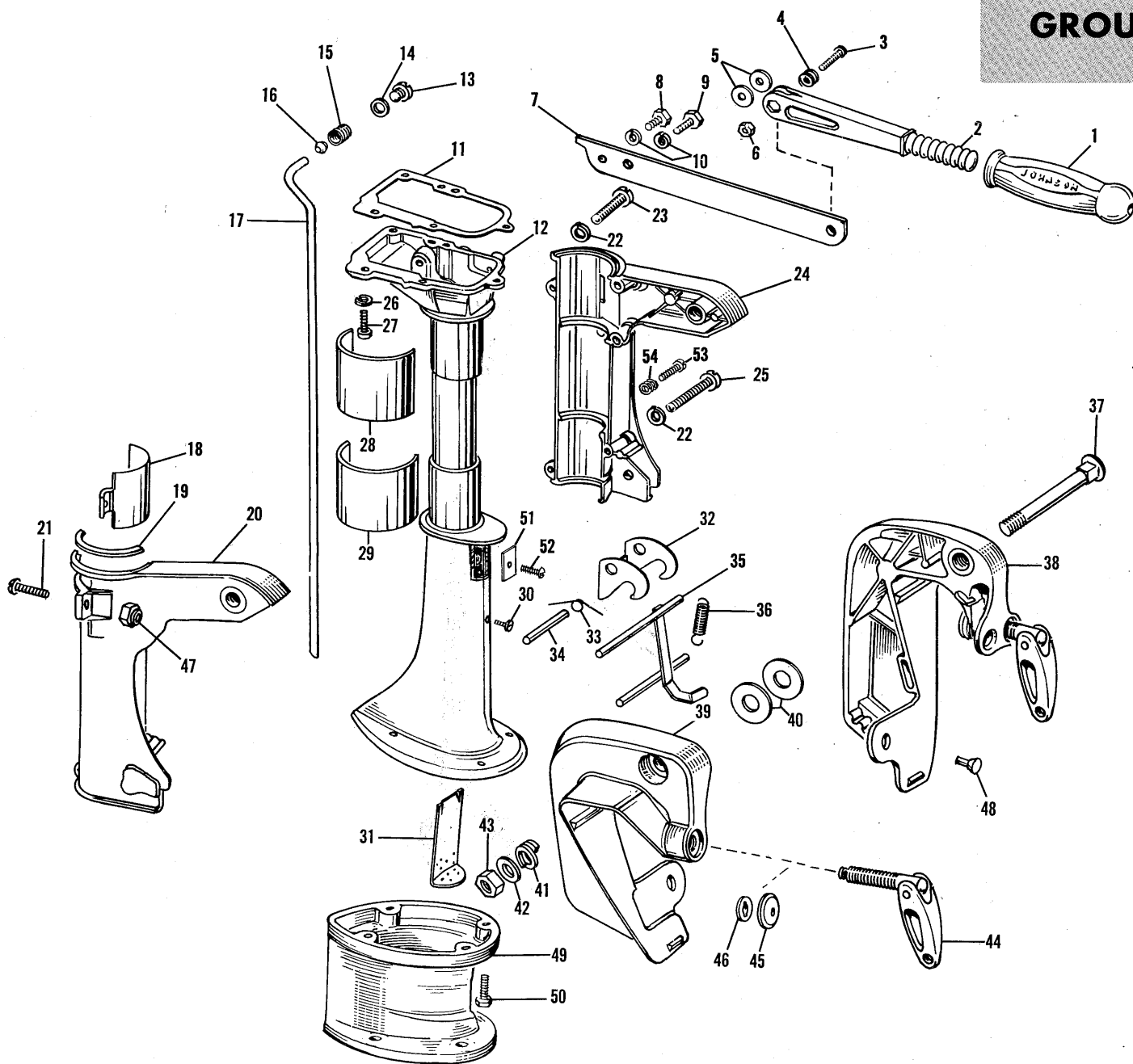
PHOTO NO.	PART NO.	NAME OF PART	QTY. PER MOTOR
1	*200322	Spark Plug (Champion J6J)	2
1	*376290	Spark Plug (Auto-Lite A3X)	2
2	21-358	Screw	6
3	43-302	Washer	5
4	203176	Cylinder Head	1
5	203130	Gasket	1
6	277171	Cylinder and Crankcase Assembly	1
7	203159	Stud	2
8	25-238	Screw	9
9	27-17	Screw	2
10	300399	Washer	4
11	39-72	Screw	2
12	203225	Air-Silencer - Lower Half	1
13	203180	Gasket	1
14	303764	Screw	4
15	203173	Plate	2
16	203175	Leaf	2
17	203174	Leaf Plate	1
	(277174	Leaf Plate Assembly)	1
18	203228	Gasket	1
19	203144	Manifold	1
20	13-558	Screw	7
21	203224	Air Silencer - Upper Half	1
	(277199	Air Silencer Assembly)	1
22	300455	Anchor	1
23	13-558	Screw	7
24	43-156	Screw	7
25	132123	Screw	1
26	300154	Washer	2
27	43-147	Screw	7
28	203172	Plate	1
29	203171	Gasket	1
30	41-223	Screw	3
31	302599	Support	1
32	552029	Wave Washer	1
33	302442	Retainer	1
34	510167	Cam	1
35	301781	Oil Slinger	1
36	120395	Key	1
37	203555	Crankshaft	1
38	203152	Piston Ring	4
39	277166	Piston and Dowel Pin Assembly	2
	(277165	Piston, Connecting Rod and Ring Assembly)	1
40	203151	Wrist Pin	2
41	120960	Spring Ring	4
42	277301	Connecting Rod Assembly	2
43	43-17	Lockplate	4
44	43-44	Screw	4
45	300402	Taper Pin	2
46	203161	Gasket	1
47	203145	Inner Flange	1
48	13-558	Screw	7
49	203160	Gasket	1
50	203652	Button Plug	1
51	300454	Grommet	1

*We recommend either Champion or Auto-Lite Spark Plugs

NOTE

Power Head Gasket Set (less Cyl. Head Gasket)
Part No. 376447

**LOWER
UNIT
GROUP**



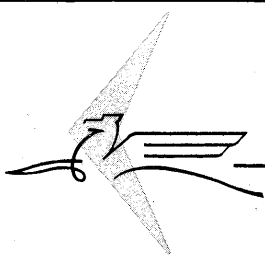
JW-JWL-12 & 12R

BE SURE TO SPECIFY MODEL AND SERIAL NUMBER
OF MOTOR WHEN ORDERING PARTS

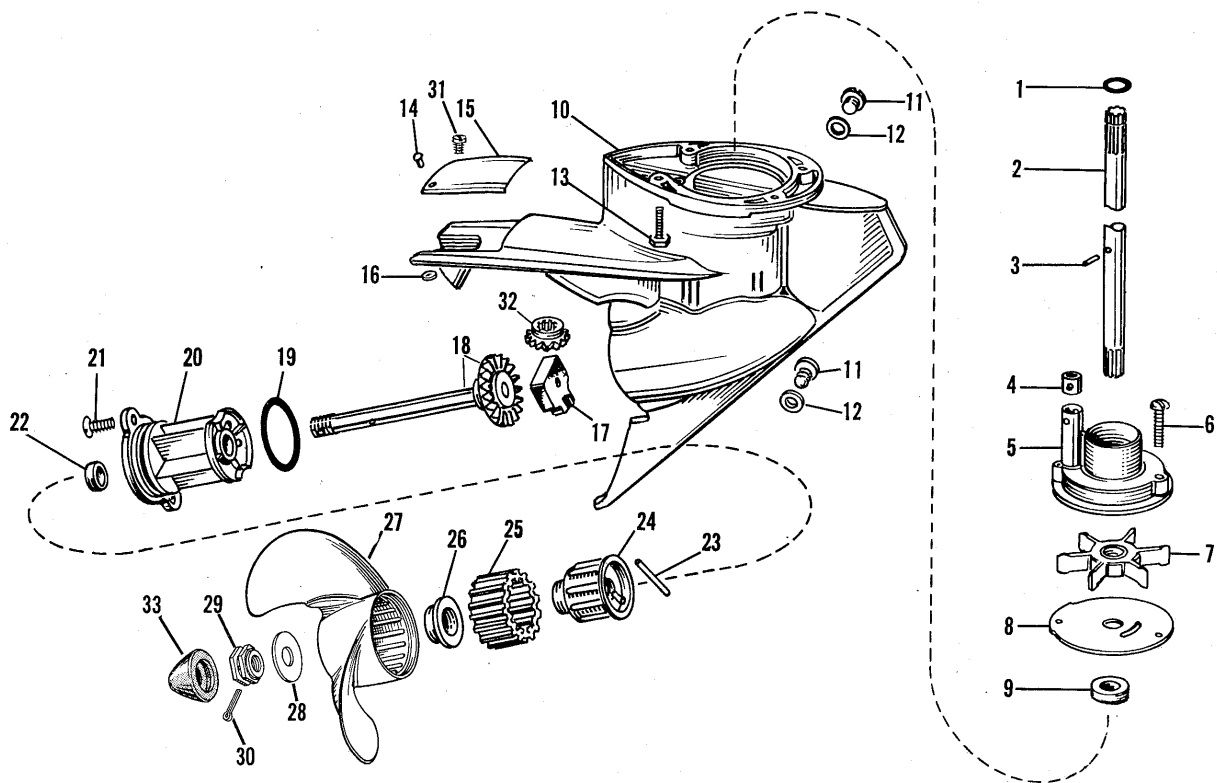
PHOTO NO.	PART NO.	NAME OF PART	QTY. PER MOTOR
1	43-297	Grip	1
2	203122	Steering Handle	1
3	132124	Screw	1
4	71-1085	Spring	2
5	300026	Washer	2
6	15-254	Nut	1
7	303019	Support	1
8	300646	Screw	1
9	302288	Screw	1
10	19-124	Lockwasher	10
11	203160	Gasket	1
12	277250	Driveshaft Casing and Water Tube Assembly	1
13	43-39	Screw	1
14	300043	Washer	1
15	43-129	Nut	1
16	13-304	Gland	1
17	203142	Water Tube	1
18	203143	Clamp	1
19	203188	Thrust Washer	2
20	203155	Swivel Bracket (Star)	1
21	302964	Screw	1
22	19-124	Lockwasher	10
23	21-167	Screw	3
24	277253	Swivel Bracket and Screw Assembly (Port)	1
25	41-178	Screw	3
26	302376	Lockwasher	4
27	21-167	Screw	9
28	203348	Lining - Upper	1
29	203134	Lining - Lower	1
30	203302	Screw	1
31	203191	Baffle	1
32	203158	Reverse Lock	1
33	200672	Spring	1
34	203127	Pin	1
35	276417	Tilting Lever Assembly	1
36	202021	Spring	1
37	203179	Bolt	1
38	277177	Stern Bracket Assembly (Port)	1
39	277078	Stern Bracket Assembly (Star)	1
	(277176 Stern Brackets Assembly)		1
40	202036	Friction Washer	2
41	202027	Spring	1
42	202026	Washer	1
43	130743	Nut	1
44	375744	Clampscrew, Retainer and Swivel Plate Assembly	2
45	41-48	Swivel Plate	2
46	302420	Retainer	2
47	203157	Nut	1
48	202008	Rivet	1
51	203347	Cover	1
52	303274	Screw	1
53	21-124	Screw	1
54	71-1085	Spring	2
MODEL JWL-12 & 12R PARTS THAT DIFFER FROM MODEL JW-12 & 12R			
17	203217	Water Tube (JWL)	1
49	203216	Gearcase Extension (JWL)	1
50	300630	Screw (JWL)	4

See page 15 for additional Model JWL-12 & 12R parts

ORDER ALL PARTS FROM YOUR JOHNSON SEA-HORSE DEALER



GEARCASE GROUP



BE SURE TO SPECIFY MODEL AND SERIAL NUMBER
OF MOTOR WHEN ORDERING PARTS

PHOTO NO.	PART NO.	NAME OF PART	QTY. PER MOTOR
1	202893	O-Ring	1
2	203137	Driveshaft	1
3	300771	Pin	1
4	203131	Grommet	1
5	203119	Housing	1
6	302963	Screw	2
7	277181	Impeller Assembly	1
8	203132	Plate	1
9	300599	Seal	1
10	277590	Gearcase, Exhaust Cover and Seal Assembly	1
11	27-283	Screw	2
12	27-284	Washer	2
13	300630	Screw	4
14	203190	Rivet	1
15	203121	Cover	1
16	303068	Washer	1
17	203140	Thrust Bearing	1
18	277457	Propeller Shaft and Gear Assembly	1
19	301917	O-Ring	1
20	277589	Gearcase Head, Bearing and Seal Assembly	1
21	302974	Screw	2
22	300599	Seal	1
23	203230	Drive Pin	1
24	376769	Propeller Clutch Hub Assembly	1
25	300565	Ring	1
26	300619	Bushing	1
27	203919	Propeller	1
28	300573	Washer	1
29	203829	Nut	1
30	302804	Cotter Pin	3
31	203342	Screw	1
32	203648	Pinion Gear	1
33	203830	Cap	1
MODEL JWL-12 & 12R PARTS THAT DIFFER FROM MODEL JW-12 & 12R			
2	203215	Driveshaft (JWL)	1

See Page 13 for additional Model JWL-12 & 12R parts

ORDER ALL PARTS FROM YOUR JOHNSON SEA-HORSE DEALER



JOHNSON MOTORS • WAUKEGAN, ILLINOIS • U.S.A.