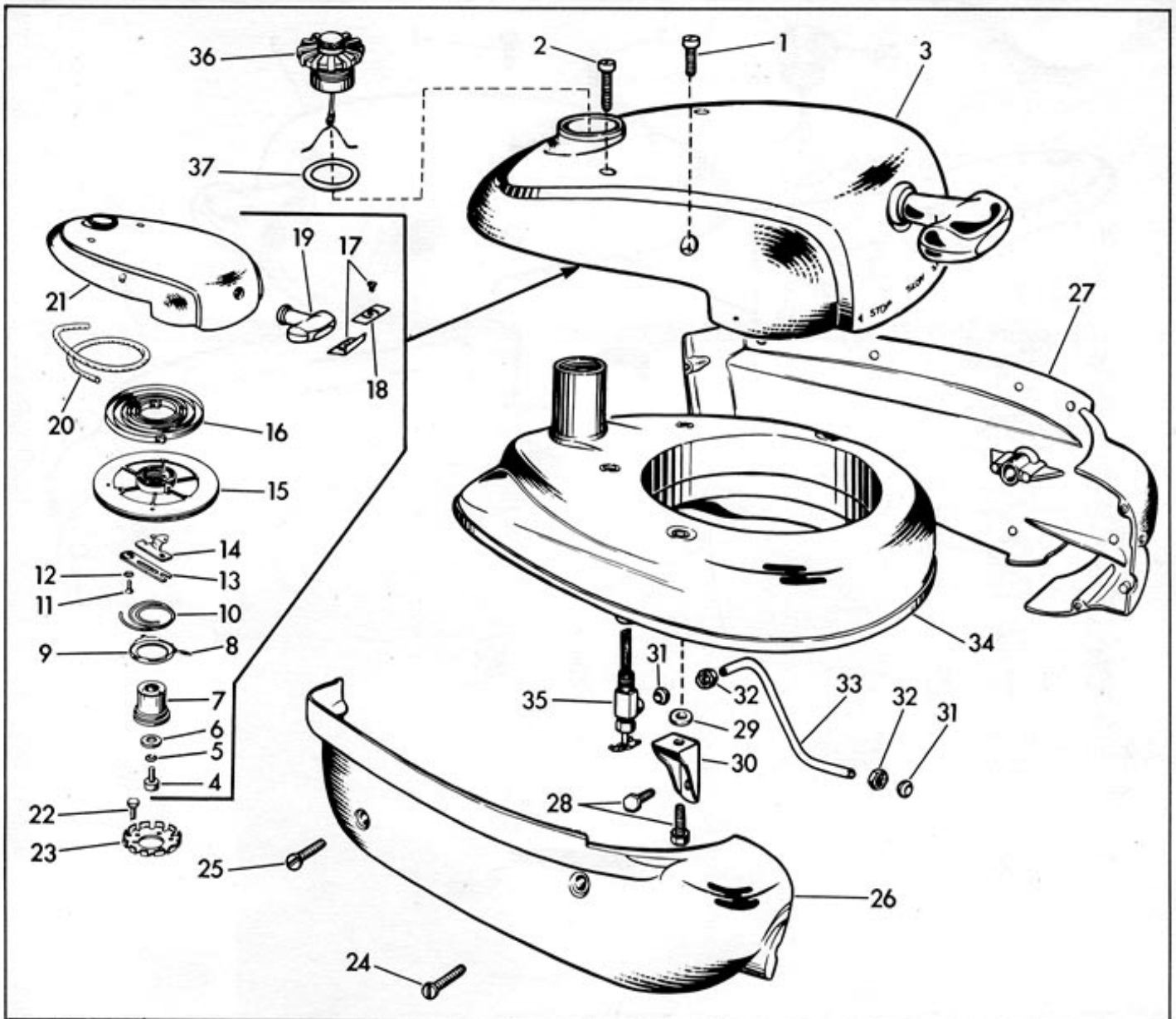


TRIM-3D18B



Ref. No.	Part No.	Description	Qty.	Ref. No.	Part No.	Description	Qty.
1	306440	SCREW	2	†20	204085	. ROPE - starter	1
2	302238	SCREW	2	*21	591599	. STARTER HOUSING ASSY.	1
3	593571	STARTER ASSY., COMPLETE	1	22	302468	SCREW	3
4	131991	. SCREW	1	23	202111	RATCHET - starter	1
5	306339	. WASHER	1	24	552224	SCREW	2
6	202356	. WASHER	1	25	552416	SCREW	2
7	276643	. SPINDLE AND PIN ASSY.	1	26	593581	COVER - side, starboard	1
8	202155	. SPRING - equalizer cup	3	27	593580	COVER - side, port	1
9	202114	. CUP - equalizer	1	28	551793	SCREW	6
10	302222	. SPRING - friction	1	29	302401	WASHER	4
11	302104	. SCREW	3	30	551394	BRACKET - fuel tank	2
12	306528	. WASHER	3	31	306344	SLEEVE - fuel line	2
13	202317	. RETAINER - starter pawl.	3	32	306345	NUT	2
14	202470	. PAWL - starter	3	33	551400	LINE - fuel	1
15	376377	. STARTER PULLEY ASSY.	1	34	593570	FUEL TANK ASSEMBLY	1
16	307573	. SPRING - starter	1	35	590732	. SHUT-OFF VALVE AND SCREEN ASSEMBLY	1
17	591214	. CLAMP AND SCREW - rope	1	36	591601	. FILLER CAP ASSEMBLY	1
18	551205	. CLAMP - rope	1	37	307538	. . . GASKET - filler cap	1
19	202479	. HANDLE - starter	1	**	593607	DECAL SET	1

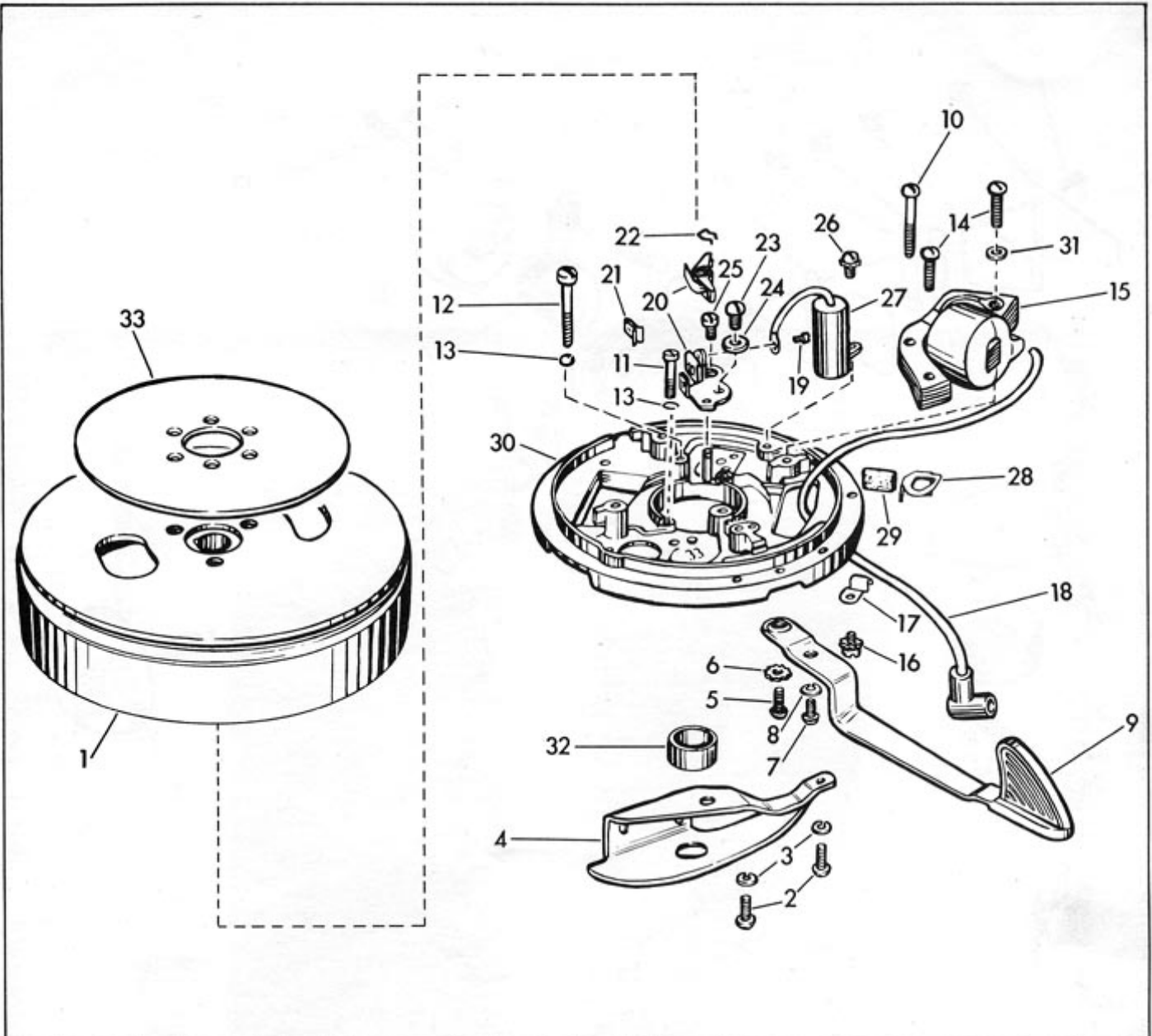
***IMPORTANT:** Color of old parts must be specified when ordering new parts

**Not shown †Cut part to 69-3/4 inches

INDENTATION OF A PART IN THE DESCRIPTION COLUMN INDICATES THAT THE PART CAN BE ORDERED SEPARATELY OR IT CAN BE OBTAINED AS PART OF THE PRECEDING ASSEMBLY

MAGNETO

3D18

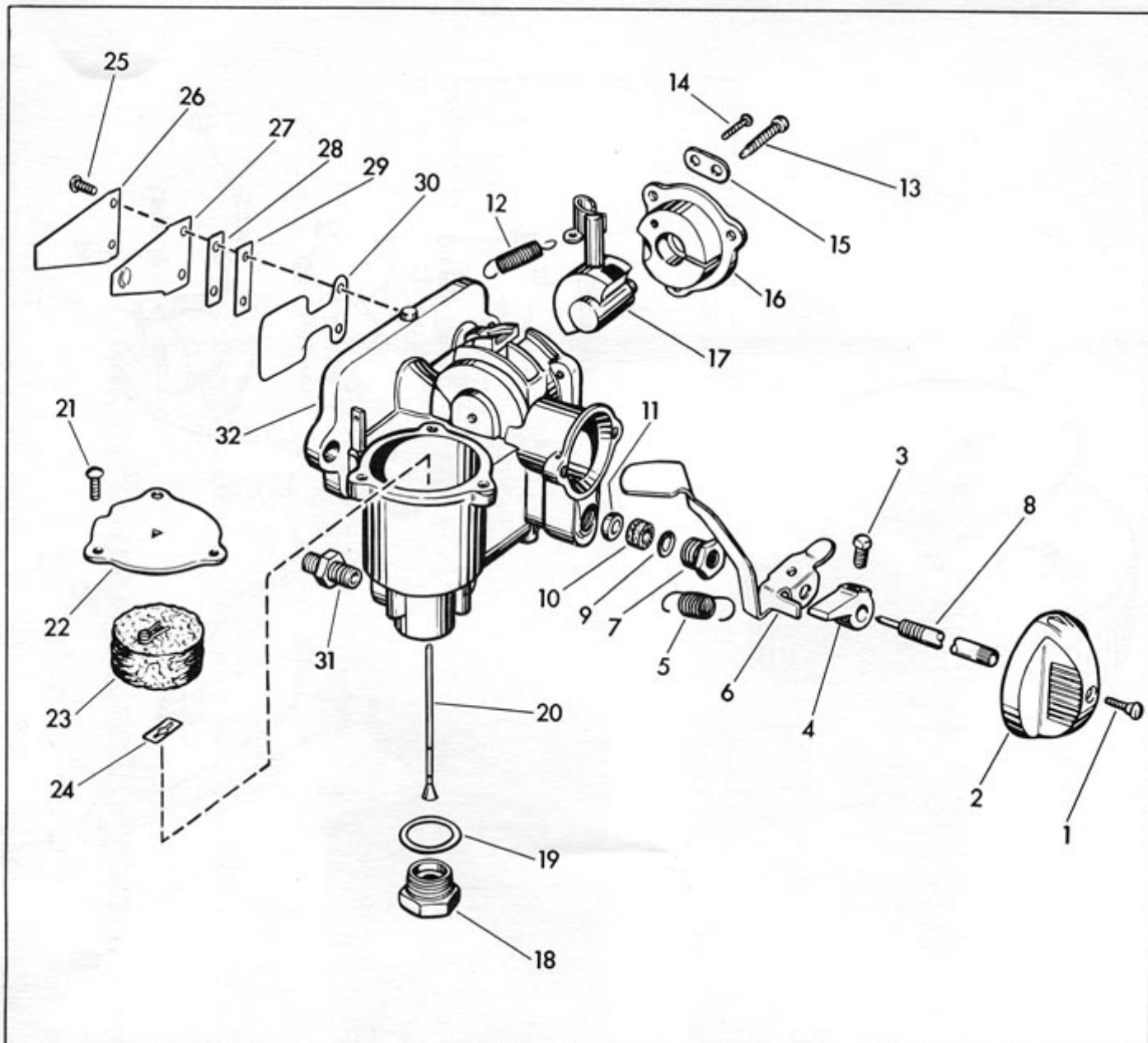


Ref. No.	Part No.	Description	Qty.	Ref. No.	Part No.	Description	Qty.
1	580106	FLYWHEEL	1	17	510190	CLAMP - high tension lead	1
2	306514	SCREW	2	18	580142	LEAD - high tension	1
3	306546	WASHER	2	19	510194	SCREW	1
4	551803	CAM - throttle	1	20	580148	BREAKER ASSY., COMPLETE	1
5	306532	SCREW	1	21	510204	CLIP - spring, breaker . . .	1
6	306528	WASHER	1	22	307594	CLIP - spring	1
7	306460	SCREW	1	23	510278	SCREW	1
8	306546	WASHER	1	24	510208	WASHER - bow	1
9	591600	TIMING LEVER ASSEMBLY . . .	1	25	510185	ECCENTRIC - breaker . . .	1
*	580128	ARMATURE PLATE, COMPLETE	1	26	510193	SCREW	1
10	510191	SCREW	1	27	580321	CONDENSER	1
11	510192	SCREW	2	28	510188	CLIP - oiler	1
12	510200	SCREW	1	29	510189	WICK - oiler	1
13	306311	WASHER	3	30	580121	ARMATURE PLATE AND POST ASSEMBLY	1
14	510397	SCREW	2	31	306547	WASHER	1
15	580416	COIL AND LAMINATION ASSEMBLY	1	32	510167	CAM - magneto	1
16	510193	SCREW	1	33	303249	COVER - inspection hole . . .	1

*Not shown

INDENTATION OF A PART IN THE DESCRIPTION COLUMN INDICATES THAT THE PART CAN BE ORDERED SEPARATELY OR IT CAN BE OBTAINED AS PART OF THE PRECEDING ASSEMBLY

CARBURETOR



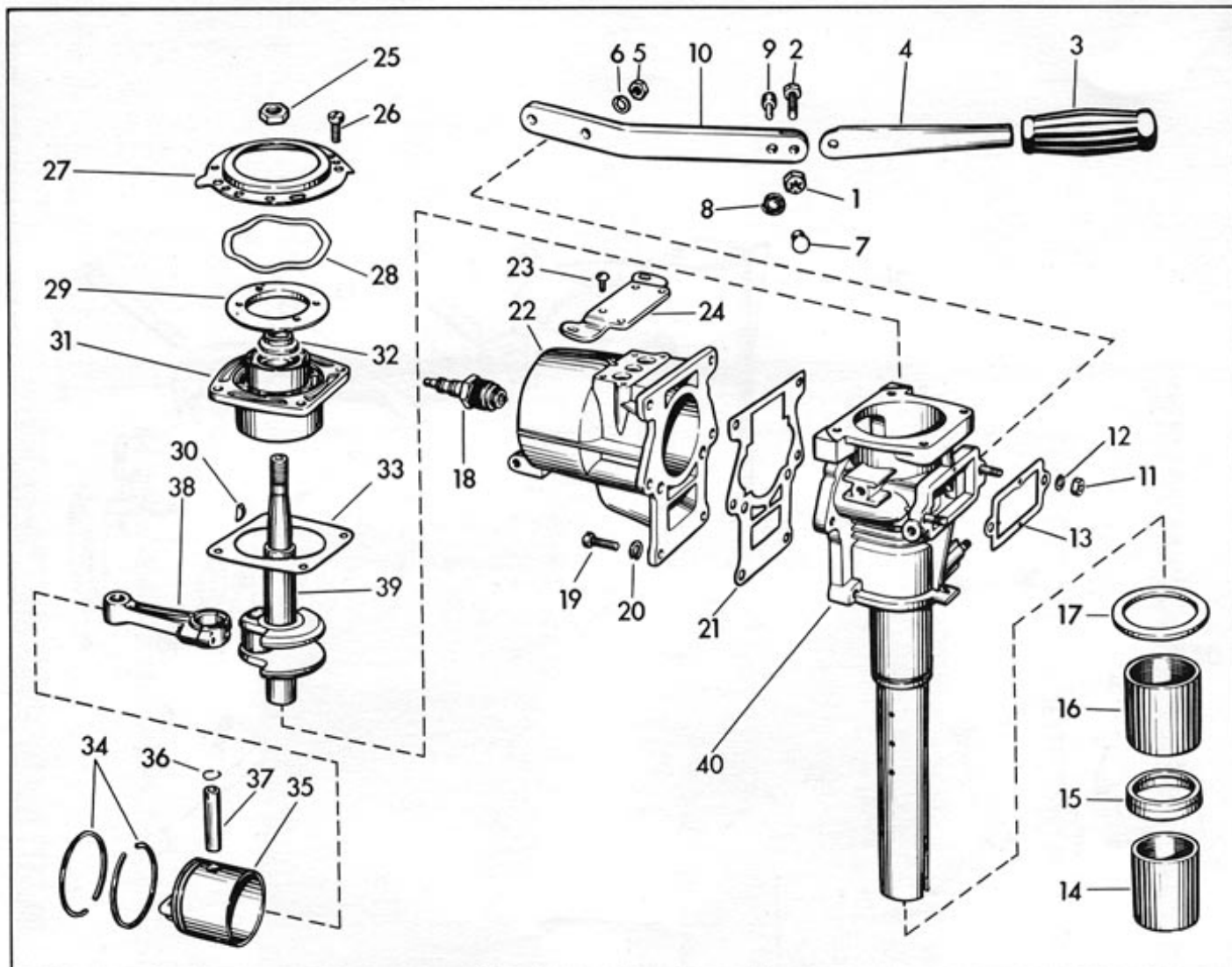
Ref. No.	Part No.	Description	Qty.	Ref. No.	Part No.	Description	Qty.
1	551517	SCREW	1	15	551465	PLATE - friction	1
2	552410	KNOB - carburetor mixture control	1	16	550276	COVER - throttle valve . .	1
*	591184	CARBURETOR ASSEMBLY .	1	17	591028	THROTTLE VALVE AND LEVER ASSEMBLY	1
3	133384	SCREW - set	1	18	133487	PLUG - strainer	1
4	550015	CAM - primer	1	19	171318	GASKET - strainer plug . .	1
5	551988	SPRING - primer	1	20	132351	NEEDLE - inlet	1
6	551068	LEVER - primer	1	21	302227	SCREW	3
7	132691	GLAND - adjusting needle.	1	22	550805	COVER - carburetor bowl.	1
8	551881	NEEDLE - carburetor adjusting	1	23	591188	FLOAT ASSEMBLY	1
9	551953	WASHER	1	24	120813	LOCK - float	1
10	550259	PACKING	2	25	131256	SCREW	2
11	551954	SPACER - high speed needle	1	26	551659	STOP - reed	1
12	550405	SPRING - carburetor throttle	1	27	552214	REED - upper	1
13	550280	SCREW	1	28	550262	SPACER	As Req.
14	302227	SCREW	3	29	551673	SPACER	As Req.
				30	550261	REED - lower	1
				31	306351	CONNECTOR - straight . .	1
				32	590718	CARBURETOR BODY AND NOZZLE ASSEMBLY . . .	1

*Not shown

INDENTATION OF A PART IN THE DESCRIPTION COLUMN INDICATES THAT THE PART CAN BE ORDERED SEPARATELY OR IT CAN BE OBTAINED AS PART OF THE PRECEDING ASSEMBLY

POWER HEAD

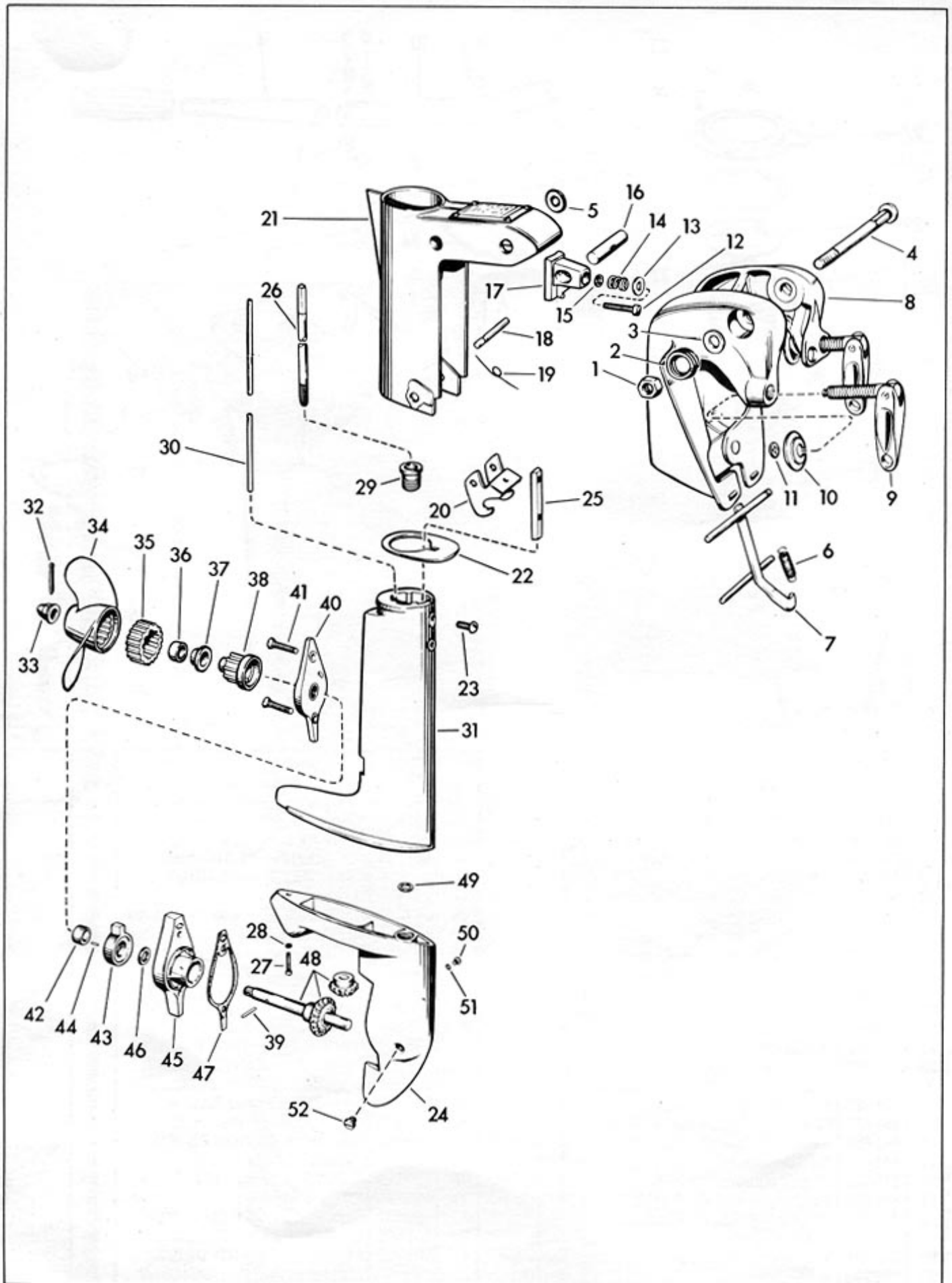
3D18



Ref. No.	Part No.	Description	Qty.	Ref. No.	Part No.	Description	Qty.
1	550729	NUT - elastic stop	1	21	551804	GASKET - cylinder to crankcase.	1
2	302288	SCREW	1	22	591154	CYLINDER, HEAD, AND BRACKET ASSEMBLY . . .	1
3	551054	GRIP - steering handle	1	23	131265	. SCREW	4
4	550722	HANDLE - tilting.	1	24	551383	. BRACKET - gas tank, rear	1
5	306397	NUT	2	25	130743	NUT - flywheel	1
6	306396	WASHER	2	26	306483	SCREW	4
7	550932	KNOB - steering handle	1	27	552169	SUPPORT - armature plate .	1
8	550888	SPRING - steering handle lock.	1	28	551349	WASHER - wave	1
9	550887	PIN - steering handle lock.	1	29	302442	RING - retaining	1
10	551422	HANDLE - steering	1	30	120395	KEY - crankshaft.	1
11	306397	NUT	2	31	591192	UPPER BEARING, BUSHING AND OIL SLINGER ASSY. .	1
12	120241	WASHER	2	32	307576	. SLINGER - oil	1
13	550087	GASKET - carburetor to crankcase	1	33	551806	GASKET - upper bearing. . .	1
14	551627	ABSORBER - shock, lower	1	34	593425	RING - piston (Set of 2) . . .	1
15	551629	SEAL - exhaust	1	35	590186	PISTON AND DOWEL PIN ASSEMBLY.	1
16	551626	ABSORBER - shock, upper	1	36	120110	. RING - spring, piston pin .	2
17	551628	WASHER - thrust.	1	37	550315	PIN - piston	1
18	378631	PLUG (Champion J4J)	1	38	590007	CONNECTING ROD ASSY. . .	1
18	378368	PLUG (Auto-Lite A21X)	1	39	551805	CRANKSHAFT.	1
18	378320	PLUG (AC Spark Plug AC M42K)	1	40	591026	CRANKCASE AND DRIVE SHAFT TUBE ASSEMBLY .	1
19	300646	SCREW	6				
20	306396	WASHER	6				

INDENTATION OF A PART IN THE DESCRIPTION COLUMN INDICATES THAT THE PART CAN BE ORDERED SEPARATELY OR IT CAN BE OBTAINED AS PART OF THE PRECEDING ASSEMBLY

LOWER UNIT & BRACKET



LOWER UNIT & BRACKET

3D18

Ref. No.	Part No.	Description	Qty.	Ref. No.	Part No.	Description	Qty.
1	130743	NUT	1	26	551377	DRIVESHAFT	1
2	202027	SPRING - stern bracket bolt	1	27	306474	SCREW	1
3	202026	WASHER	1	28	550757	WASHER	1
4	203179	BOLT - stern bracket	1	29	550676	SCREW - bushing	1
5	202036	WASHER - friction	2	30	550746	TUBE - water	1
6	202021	SPRING - tilting lever	1	31	551634	HOUSING - driveshaft	1
7	276417	TILTING LEVER ASSEMBLY	1	32	306498	PIN - cotter propeller nut	1
8	378494	STERN BRACKET ASSEMBLY	1	33	550680	NUT - propeller	1
9	378481	. CLAMP SCREW ASSEMBLY (Incl 10 and 11)	2	34	552784	PROPELLER	1
10	307561	. . PLATE - swivel, clamp screw	2	35	300565	RING - propeller clutch	1
11	302420	. . RETAINER - clamp screw button	2	36	552781	BUSHING - propeller	1
12	306404	SCREW	1	37	300619	BUSHING - propeller clutch	1
13	306407	WASHER	1	38	376769	PROPELLER CLUTCH HUB ASSEMBLY	1
14	551113	SPRING - shock absorber clamp	1	39	203230	PIN - drive	1
15	300399	WASHER	1	40	591263	COVER - gear housing cap assembly	1
16	551631	BAR - shock absorber clamp	1	41	550685	. SCREW	2
17	551632	CLAMP - shock absorber	1	42	550671	ECCENTRIC - water pump	1
18	200671	PIN - reverse lock	1	43	550683	ROTOR - water pump	1
19	200672	SPRING - reverse lock	1	44	550672	PIN - eccentric, water pump	1
20	200583	LOCK - reverse	1	45	590465	GEAR HOUSING CAP AND GREASE SEAL ASSEMBLY	1
21	552170	BEARING - pivot	1	46	550684	. SEAL - gear housing cap	1
22	551630	CAM - reverse lock	1	47	550681	GASKET - gear housing to gearcase	1
23	552421	SCREW	2	48	591997	PROPELLER SHAFT AND MATCHED GEAR SET	1
24	590884	GEAR HOUSING AND BUSH- ING ASSEMBLY	1	49	550749	SEAL - grease, driveshaft	1
25	550892	WEDGE - driveshaft tube clamping	1	50	551676	SCREW - drain	1
				51	170778	GASKET - drain screw	1
				52	307551	PLUG - grease	1

INDENTATION OF A PART IN THE DESCRIPTION COLUMN INDICATES THAT THE PART CAN BE ORDERED SEPARATELY OR IT CAN BE OBTAINED AS PART OF THE PRECEDING ASSEMBLY