

1954

Part No. 376230

PARTS CATALOG

FOR

Model CD-10 and CDL-10



JOHNSON MOTORS
PETERBOROUGH, CANADA.

PARTS FOR MODELS CD-11 AND CDL-11

THAT ARE DIFFERENT FROM THOSE USED ON MODELS CD-10 AND CDL-10

<u>Illustration Number</u>	<u>Page</u>	<u>Part No.</u>	<u>Description</u>	<u>No. Req' d. per Motor</u>
29	29	580182	armature plate assy. comp.	1
29	29	580168	armature plate	1
3	12	301656	spring - friction block	1
39	8	303277	retaining ring - armature	1
37	8	303278	support - armature plate	1
14	16	303847	adjusting knob - low speed	1
21	12	303800	gear - remote control	1
43	12	376268	shift lever and shaft	1
29	12	376269	steering bracket	1

The kit to adapt remote control to Models CD-11 and CDL-11 is under part number 376285.

Warranty

We warrant each new outboard motor of our manufacture to be free from defects in material and workmanship under normal use and service, our obligation under this warranty being limited to making good at the factory any part or parts thereof which shall, within three (3) months after delivery of such motor to original purchasers, be returned to us with transportation charges prepaid, and which our examination shall disclose to our satisfaction to have been thus defective; this warranty being expressly in lieu of all other warranties and representations expressed or implied and of all other liabilities in connection with the sale or use of any motors.

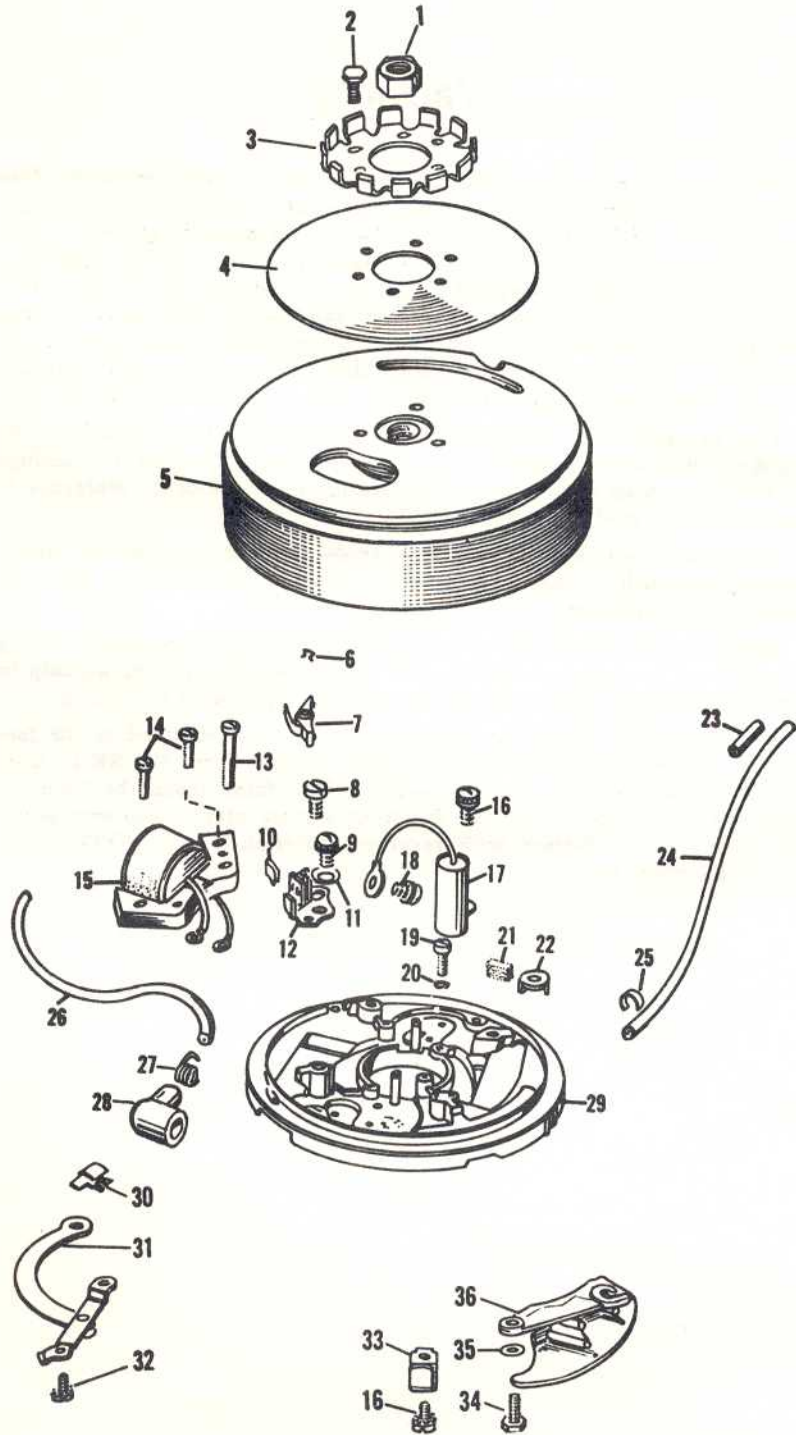
This warranty shall not apply to any motor which shall have been repaired or altered outside the factory in any way so as to affect its stability, nor which has been subject to misuse, negligence or accident. Warranty is void if motor is used for racing purpose.

We make no warranty in respect to trade accessories not of our manufacture; inasmuch as they are usually warranted separately by their respective manufacturers.

Because of the usual strains and accidents to which such products may be subjected, we make no warranty of either material or workmanship in racing outboard motors or any of our products when used for racing.

Claims must be entered on motors or motor parts returned to the factory for inspection, repair or replacement. Request form No. SE-16 from local Johnson Dealer or Service Station. This form should be filled in, signed by the motor owner and dealer or service station representatives and mailed to the factory with returned material, **TRANSPORTATION CHARGES PREPAID.**

MAGNETO GROUP



Be Sure to Specify Model and Serial Number of Motor When Ordering Parts

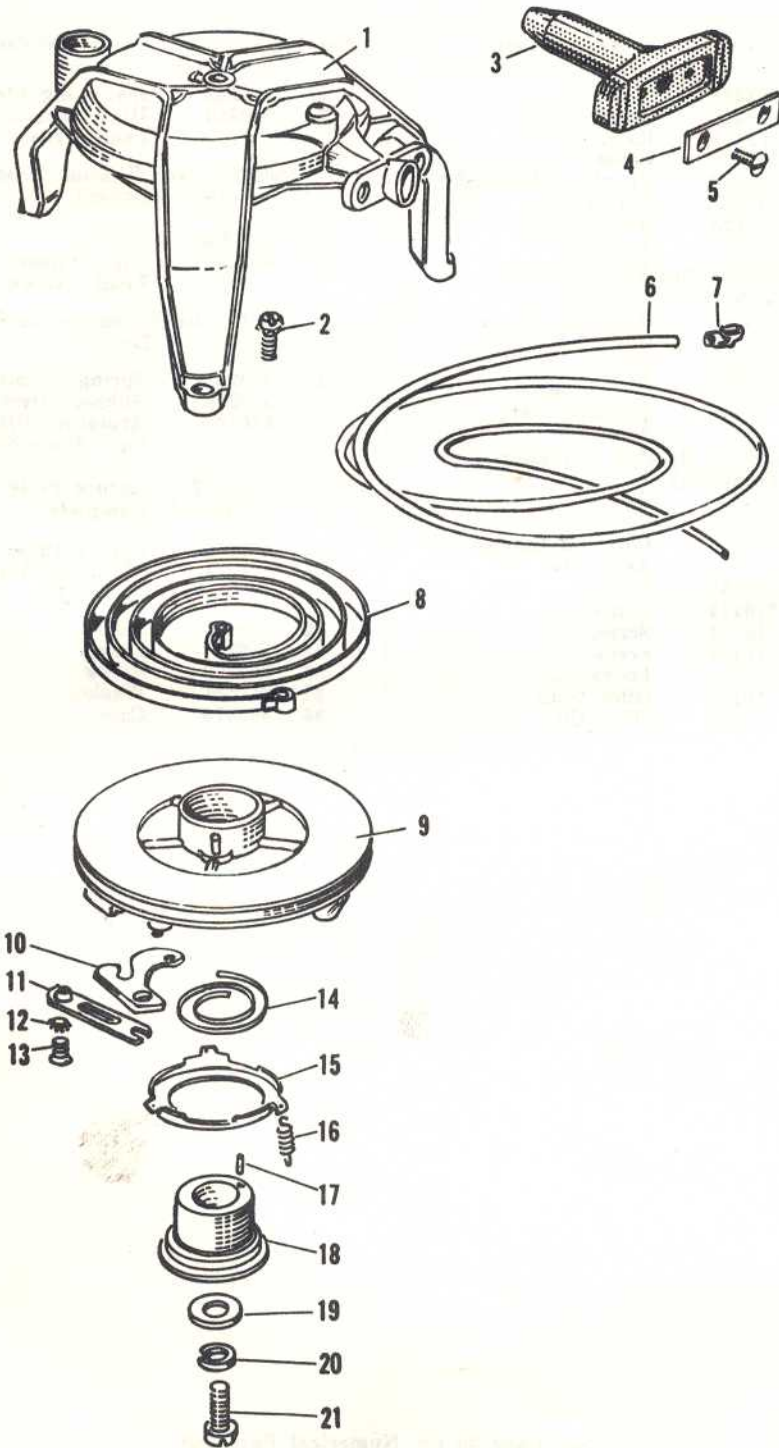
PHOTO AND PART NUMBERS FOR MAGNETO GROUP

Photo No.	Part No.	Name of Part	Photo No.	Part No.	Name of Part
1	301988	Nut	23	510233	Insulating Sleeve
2	302468	Screw	24	510256	High Tension Lead - Upper
3	202111	Ratchet			(580178 High Tension Lead Assembly - Upper)
4	303249	Cover	25	71-1239	Marker
5	580150	Flywheel Assembly	26	510257	High Tension Lead - Lower
6	71-1052	Spring Clip			(580179 High Tension Lead Assembly - Lower)
7	580123	Breaker Arm Assembly	27	510231	Spring Terminal
	(580148 Breaker Assembly Complete)		28	510232	Rubber Cover
8	510185	Eccentric Screw	29	580121	Armature Plate and Post Assembly
9	15-249	Screw			(580172 Armature Plate Assembly Complete)
10	510204	Clip	30	303146	Spring Clip
11	510208	Bow Washer	31	376064	Plate and Link Assembly
12	580122	Breaker Base Assembly	32	510193	Screw
	(580148 Breaker Assembly Complete)		33	510259	Clamp
13	510191	Screw	34	302750	Screw
14	510195	Screw	35	21-200	Washer
15	580118	Coil and Lamination Assembly	36	303470	Cam
16	510193	Screw			
17	510173	Condenser			
18	510194	Screw			
19	510192	Screw			
20	3-28	Lockwasher			
21	510189	Oiler Wick			
22	510188	Oiler Clip			

See Page 20 for Numerical Part List

Order All Parts from Nearest Service Station or Dealer.

STARTER GROUP



Be Sure to Specify Model and Serial Number of Motor When Ordering Parts

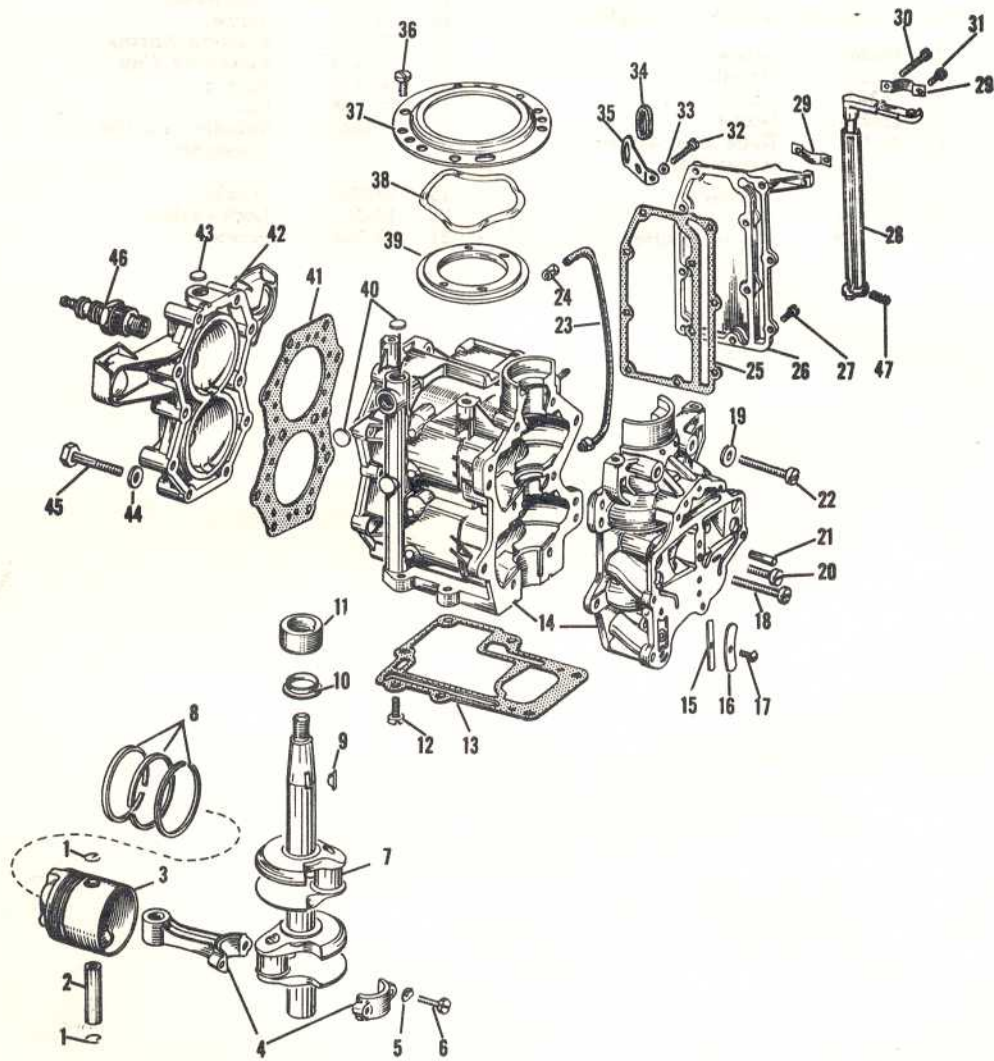
PHOTO AND PART NUMBERS FOR STARTER GROUP

Photo No.	Part No.	Name of Part	Photo No.	Part No.	Name of Part
1	376099	Starter Housing and Pin Assembly	10	202470	Starter Pawl
(376228 Starter Assembly Complete)			11	202317	Retainer
2	303288	Screw	12	71-1026	Lockwasher
3	376132	Handle	13	302104	Screw
4	303516	Clamp Plate	14	302222	Friction Spring
5	41-205	Screw	15	202114	Equalizer Cup
6	44-19	Rope and Anchor Assembly	16	202155	Spring
7	43-144	Anchor	17	202156	Pin
8	41-197	Spring	18	276643	Spindle and Pin Assembly
9	276589	Starter Pulley	19	202356	Washer
			20	13-51	Lockwasher
			21	13-588	Screw

See Page 20 for Numerical Part List

Order All Parts from Nearest Service Station or Dealer

POWER HEAD GROUP



Be Sure to Specify Model and Serial Number of Motor When Ordering Parts

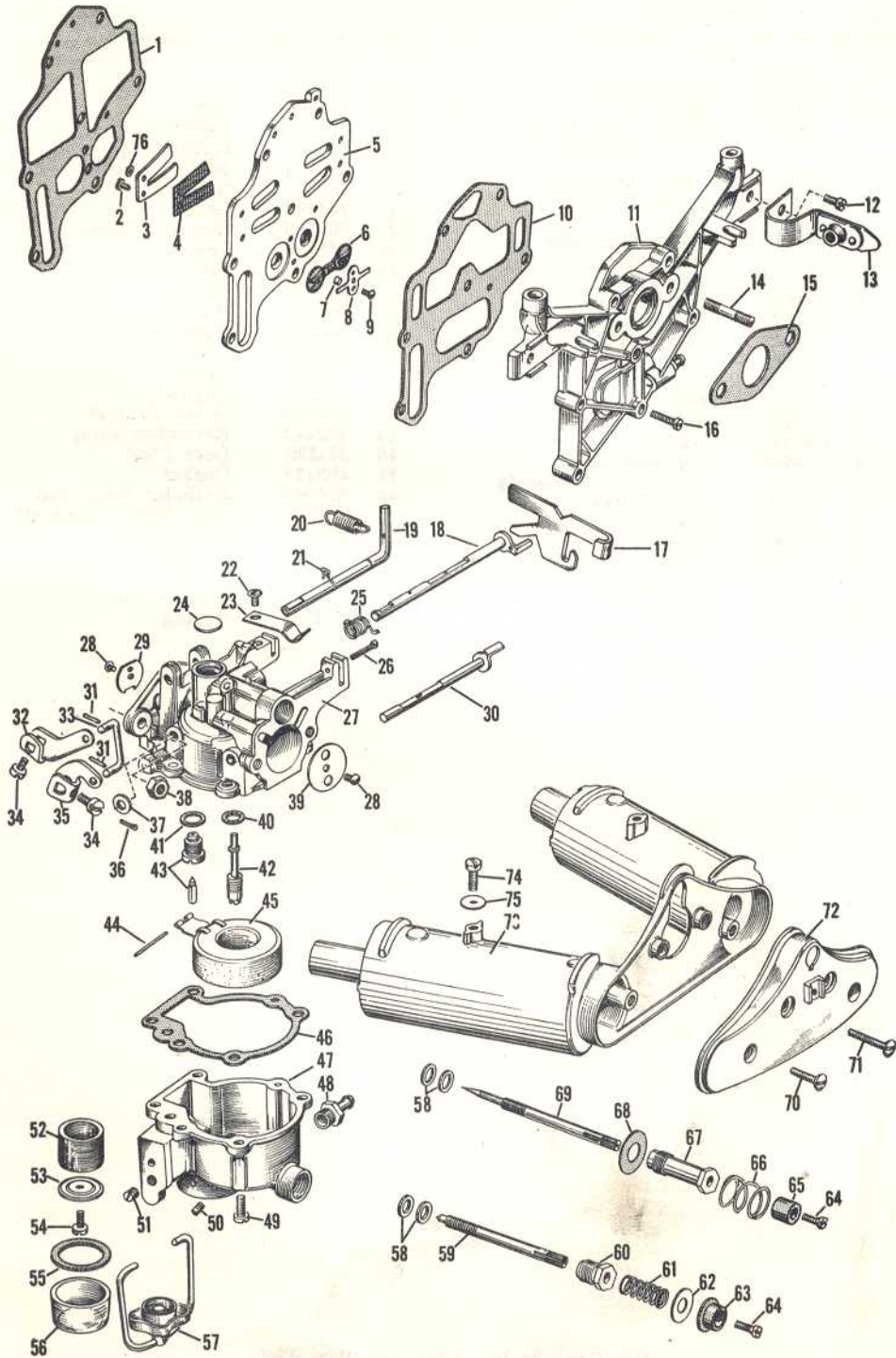
PHOTO AND PART NUMBERS FOR POWER HEAD GROUP

Photo No.	Part No.	Name of Part	Photo No.	Part No.	Name of Part
1	120110	Lock Ring	22	71-1084	Screw
2	303333	Wrist Pin	23	303463	Hose
3	376067	Piston and Dowel Pin Assembly	24	303473	Clamp
	(376070 Piston and Connecting Rod Assembly, with Rings)		25	303439	Gasket
4	376066	Connecting Rod Assembly	26	303407	Exhaust Cover
5	41-17	Lockplate	27	25-74	Screw
6	41-44	Screw	28	303468	Lever
7	303445	Crankshaft	29	303109	Bearing Clamp
8	41-333	Piston Rings	30	132123	Screw
9	120395	Key	31	43-156	Screw
10	303649	Oil Slinger	32	132346	Screw
11	510168	Cam	33	300154	Washer
12	51-47	Screw	34	300454	Grommet
13	303467	Gasket	35	300455	Anchor
14	376229	Cylinder and Crankcase Assembly	36	41-223	Screw
15	203235	Leaf Valve	37	302599	Support
16	203248	Plate	38	302580	Wave Washer
17	19-191	Screw	39	302442	Retaining Ring
18	41-178	Screw	40	27-309	Core Plug
19	300399	Washer	41	303438	Gasket
20	51-47	Screw	42	376080	Cylinder Head and Core Plug Assembly
21	300402	Taper Pin	43	27-309	Core Plug
			44	43-302	Washer
			45	303459	Screw
			46	300322	Spark Plug
			47	303236	Spring

See Page 20 for Numerical Part List

Order All Parts from Nearest Service Station or Dealer

CARBURETOR AND LEAF VALVE GROUP



Be Sure to Specify Model and Serial Number of Motor When Ordering Parts

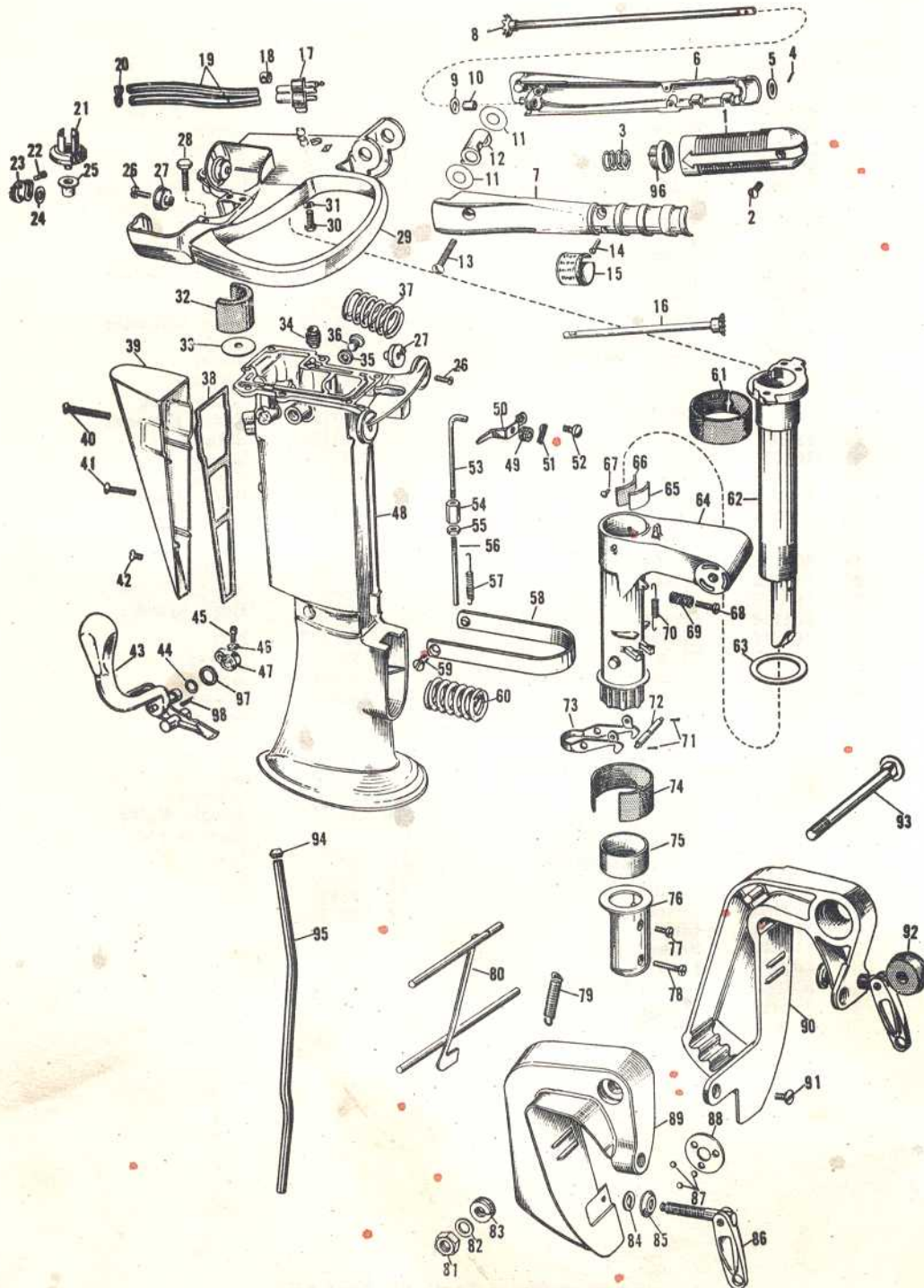
PHOTO AND PART NUMBERS FOR
CARBURETOR AND LEAF VALVE GROUP

Photo No.	Part No.	Name of Part	Photo No.	Part No.	Name of Part
1	303453	Gasket	39	303444	Choke Valve
2	303761	Screw	40	302984	Gasket
3	202668	Leaf Stop	41	301996	Gasket
4	202667	Leaf Valve	42	30°447	Nozzle
5	303462	Leaf Plate	42	3/5985	Float Valve and Seat Assembly
(376233 Leaf Plate Assembly)			44	300096	Hinge Pin
6	302042	Check Valve	45	375919	Float and Float Arm Assembly
7	302046	Spacer	46	302994	Gasket
8	302048	Spring	47	303130	Float Chamber
9	19-191	Screw	48	303172	Nipple
10	303454	Gasket	49	300181	Screw
11	376088	Intake Manifold	50	303041	Screw
12	43-156	Screw	51	303125	Screw Plug
13	376131	Spring and Nut Assembly	52	303133	Filter Element
14	85-101	Stud	53	303134	Retainer
15	303437	Gasket	54	132509	Screw
16	133451	Screw	55	303122	Gasket
17	302997	Rod	56	303121	Filter Bowl
18	375922	Throttle Shaft and Lever Assembly	57	376231	Filter Yoke Assembly
19	303708	Follower	58	43-123	Packing
20	203166	Spring	59	303449	Needle Valve - High Speed
21	71-1052	Clip	60	300179	Nut
22	302430	Screw	61	303518	Spring
23	302977	Spring	62	202065	Washer
24	27-309	Plug	63	303535	Grommet
25	302996	Spring	64	551517	Screw
26	21-163	Cotter Pin	65	303532	Sleeve
27	376232	Carburetor Body and Plug Assembly	66	303548	Spring
(376100 Carburetor Assembly Complete)			67	303479	Nut
28	303760	Screw	68	203355	Washer
29	303446	Throttle Valve	69	303448	Needle Valve - Slow Speed
30	375921	Choke Shaft and Lever Assembly	70	302124	Screw
31	41-110	Cotter Pin	71	200931	Screw
32	203163	Lever	72	203387	Cover
33	203164	Link	73	277286	Loading Tube and Air Silencer Assembly
34	71-1038	Screw	74	25-74	Screw
35	302978	Lever	75	21-200	Washer
36	303049	Cotter Pin	76	303762	Lockwasher
37	303048	Washer			
38	19-136	Nut			

See Page 20 for Numerical Part List

Order All Parts from Nearest Service Station or Dealer

LOWER UNIT AND STEERING HANDLE GROUP



Be Sure to Specify Model and Serial Number of Motor When Ordering Parts

PHOTO AND PART NUMBERS FOR
LOWER UNIT AND STEERING HANDLE GROUP

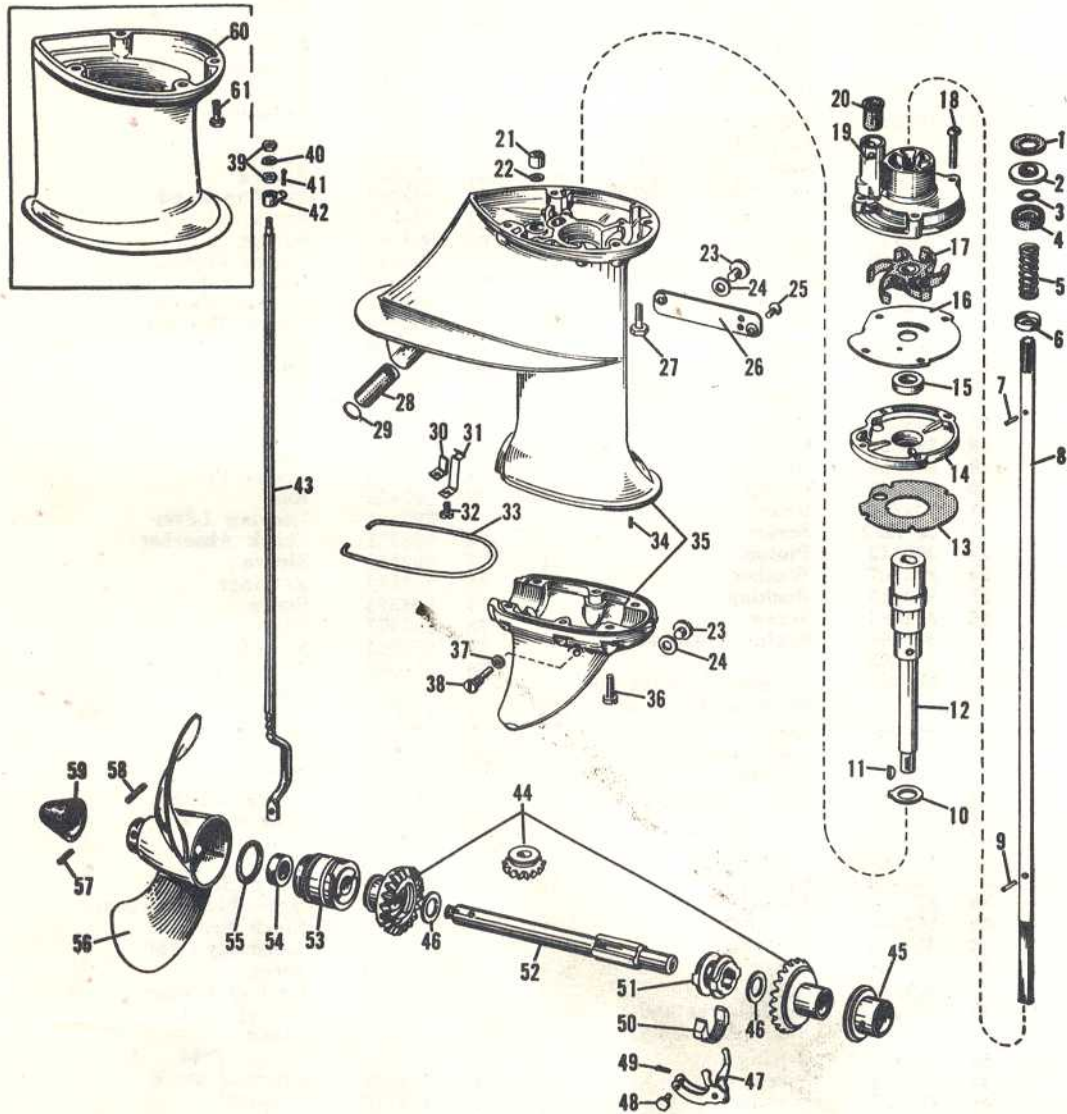
Photo No.	Part No.	Name of Part	Photo No.	Part No.	Name of Part
1	303213	Grip	48	376267	Driveshaft Casing and Exhaust Tube Assembly
2	302710	Screw	49	303364	Grommet
3	303730	Spring	50	303409	Arm
4	300346	Groove Pin	51	550565	Cotter Pin
5	303252	Washer	52	303368	Shoulder Screw
6	376042	Steering Handle and Bushing Assembly - Outer Half	53	303408	Link
7	303093	Steering Handle - Inner Half	54	303706	Coupling
8	375977	Gear and Shaft Assembly - Long	55	85-64	Nut
9	302712	Washer	56	303705	Link
10	302717	Bushing	57	303465	Spring
11	303079	Washer	58	303392	Friction Band
12	303096	Cover	59	303397	Screw
13	303078	Screw	60	303461	Spring
14	133452	Screw	61	303370	Upper Liner
15	303110	Plate	62	303500	Pilot Shaft
16	375979	Gear and Shaft Assembly - Short	63	303359	Thrust Washer
17	375788	Body Assembly	64	303406	Swivel Bracket
18	310822	Clamp	65	303363	Plate
19	303460	Hose	66	303697	Spacer
20	302647	Clamp	67	303696	Pin
21	303410	Gear	68	132679	Screw
22	71-1352	Screw	69	551113	Spring
23	303142	Pinion	70	303464	Spring
24	303107	Washer	71	303049	Cotter Pin
25	303140	Bushing	72	303436	Rod
26	303394	Screw	73	303421	Locking Lever
27	303369	Spring Retainer	74	303371	Shock Absorber
28	303398	Screw	75	303362	Sleeve
29	376122	Steering Bracket and Bushing Assembly	76	303372	Retainer
30	21-359	Screw	77	303393	Screw
31	51-137	Lockwasher	78	302677	Screw
32	303350	Support	79	202021	Spring
33	303353	Plate	80	376063	Tilting Lever Assembly
34	303348	Nut	81	17-182	Nut
35	27-284	Gasket	82	25-196	Washer
36	27-283	Flush Plug	83	302051	Spring
37	303458	Spring	84	302420	Retainer
38	303586	Gasket	85	41-48	Swivel Plate
39	303585	Cover	86	375744	Clamp screw
40	303589	Screw	87	160084	Ball
41	303588	Screw	88	202617	Shim
42	303587	Screw	89	376082	Stern Bracket Assembly - Starboard
43	376077	Shift Lever and Shaft Assembly	90	376081	Stern Bracket Assembly - Port
44	303191	O-Ring	91	303396	Screw
45	303714	Screw	92	301893	Conical Washer
46	303715	Washer	93	303349	Tilting Bolt
47	303354	Lever	94	7-261	Gland
			95	303389	Water Tube
			96	303282	Friction Block
			97	303775	Washer
			98	303236	Spring
Model CDL-10 Parts That Differ from Model CD-10					
37	203450	Spring - Upper Mount	60	203451	Spring - Lower Mount
			95	303668	Water Tube

See Page 15 for Additional Model CDL Parts

See Page 20 for Numerical Part List

Order All Parts from Nearest Service Station or Dealer

GEARCASE GROUP



Be Sure to Specify Model and Serial Number of Motor When Ordering Parts

PHOTO AND PART NUMBERS FOR GEARCASE GROUP

Photo No.	Part No.	Name of Part	Photo No.	Part No.	Name of Part
1	303355	Gasket	31	303466	Spring
2	303356	Plate	32	43-156	Screw
3	303347	O-Ring	33	303328	Seal
4	303391	Seal	34	300611	Dowel Pin
5	303357	Spring	35	376062	Gearcase, Bushing & Pin Assembly
6	303327	Washer	36	300258	Screw
7	303261	Pin	37	302756	Washer
8	376093	Driveshaft	38	303358	Pivot Pin
9	300771	Pin	39	85-64	Nut
10	303346	Thrust Washer	40	303701	Lockwasher
11	1-135	Key	41	15-268	Cotter Pin
12	376073	Pinion Shaft & Shock Absorber Assembly	42	303702	Connector
13	303339	Gasket	43	303401	Shift Rod
14	376074	Bearing Housing & Bearing Assembly	44	376235	Pinion, Gears & Bushing Assembly
15	300599	Seal	45	303380	Bearing
16	303376	Plate	46	303361	Thrust Washer
17	277181	Impeller Assembly	47	303340	Lever
18	303395	Screw	48	302504	Pin
19	303442	Impeller Housing	49	301912	Cotter Pin
20	302497	Grommet	50	303381	Cradle
21	303332	Bushing	51	376078	Shift Clutch Dog Assembly
22	301877	O-Ring	52	303443	Propeller Shaft Gearcase Head & Bearing Assembly
23	27-283	Plug	53	376069	
24	27-284	Gasket	54	303345	Seal
25	302681	Screw	55	303360	O-Ring
26	303344	Cover	56	376072	Propeller
27	302325	Screw	57	13-332	Cotter Pin
28	303331	Screen	58	302333	Drive Pin
29	300314	Plug	59	303365	Rubber Cap
30	303700	Spring			

Model CDL-10 Parts That Differ from Model CD-10

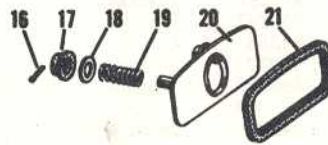
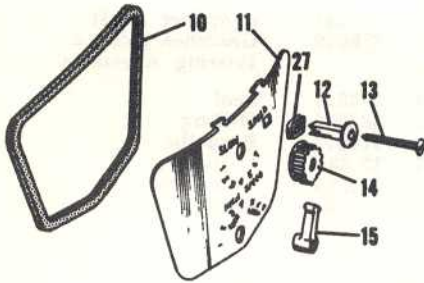
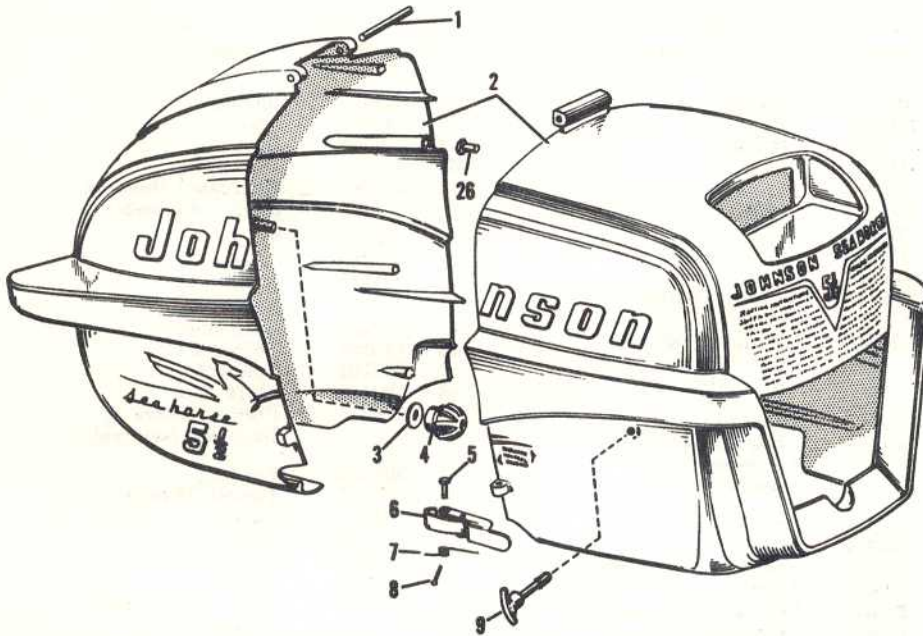
8	376273	Driveshaft	60	303672	Gearcase Extension
43	303666	Shift Rod	61	302325	Screw

See Page 13 for Additional Model CDL Parts

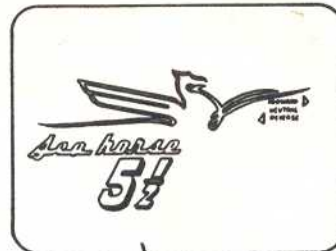
See Page 20 for Numerical Part List

Order All Parts from Nearest Service Station or Dealer

SHROUD GROUP



22 23



24 25



Be Sure to Specify Model and Serial Number of Motor When Ordering Parts

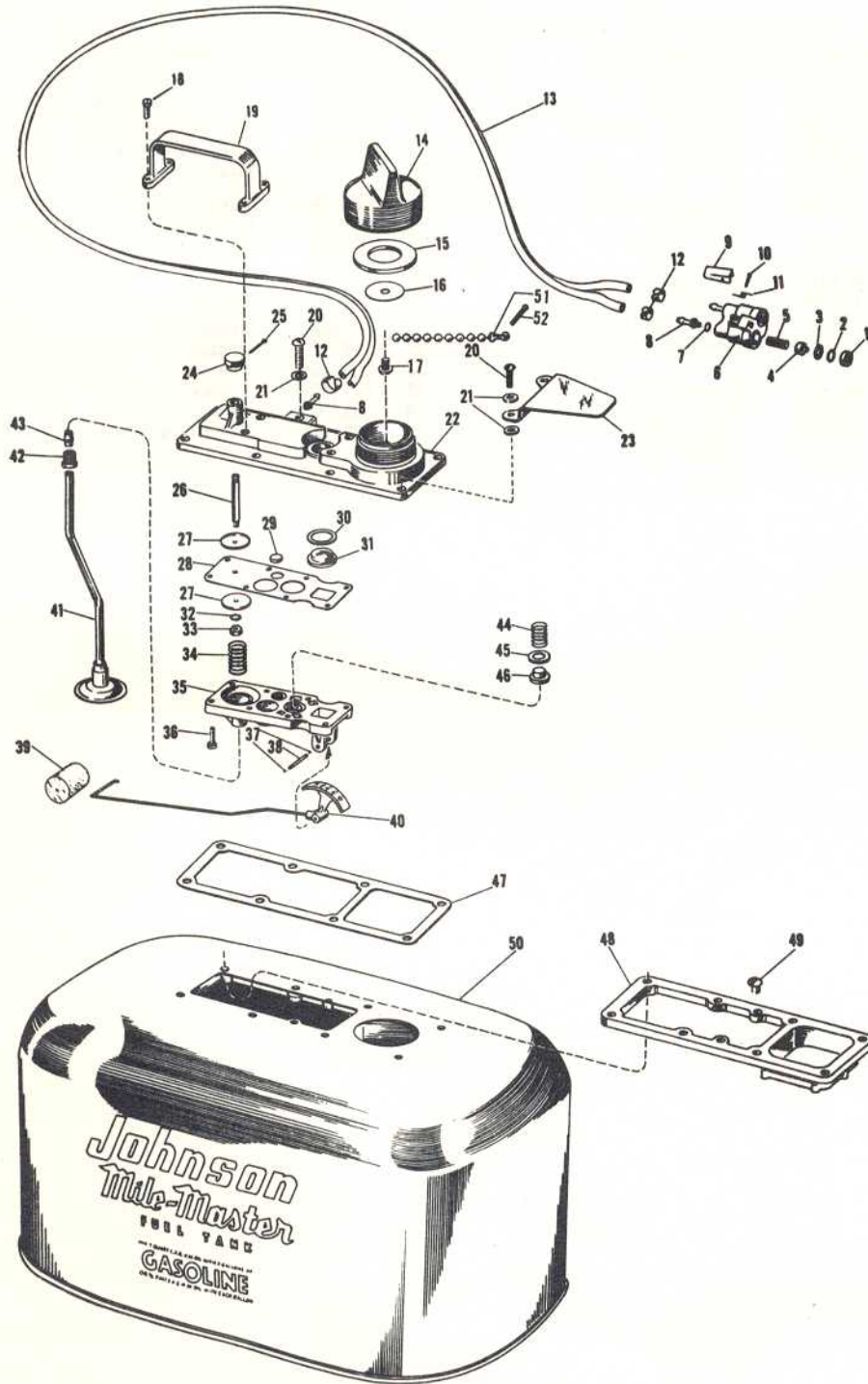
PHOTO AND PART NUMBERS FOR SHROUD GROUP

Photo No.	Part No.	Name of Part	Photo No.	Part No.	Name of Part
1	303536	Hinge Pin	14	303517	Adjusting Knob - Slow Speed
2	376262	Shroud Assembly	15	303521	Adjusting Knob - High Speed
3	303565	Washer	16	41-163	Cotter Pin
4	303564	Bumper	17	303535	Grommet
5	303522	Pin	18	202065	Washer
6	376129	Clamp & Lever Assembly	19	303518	Spring
7	303519	Spring	20	303528	Cover
8	303590	Cotter Pin	21	303529	Grommet
9	376128	Wing Screw Assembly	22	303620	Transfer
10	303527	Grommet	23	303628	Transfer
11	303526	Control Panel	24	303552	Transfer
12	303718	Choke Knob	25	401985	Transfer
13	302761	Screw	26	203290	Bumper
			27	303796	Grommet

See Page 20 for Numerical Part List

Order All Parts from Nearest Service Station or Dealer

MILE MASTER FUEL TANK ASSEMBLY



Be Sure to Specify Model and Serial Number of Motor When Ordering Parts

**PHOTO AND PART NUMBERS FOR
MILE MASTER FUEL TANK ASSEMBLY**

<u>Photo No.</u>	<u>Part No.</u>	<u>Name of Part</u>	<u>Photo No.</u>	<u>Part No.</u>	<u>Name of Part</u>
1	301828	Retainer	28	302563	Diaphragm
2	301824	O-Ring	29	301802	Disc Valve
3	301827	Washer	30	302571	Seal
4	301826	Valve	31	302568	Glass
5	301825	Spring	32	301736	Lockwasher
6	375587	Fuel Connector Assembly	33	21-195	Nut
7	301819	Washer	34	301803	Spring
8	301820	Nipple	35	302555	Housing
9	301830	Lock	36	13-558	Screw
10	301832	Rivet	37	302654	Snap Ring
11	301829	Spring	38	302653	Pin
12	301822	Clamp	39	302559	Float
13	303414	Hose	40	376192	Indicator Assembly
14	375817	Filler Cap Assembly	41	376191	Foot Valve Assembly
15	301835	Gasket	42	132691	Nut
16	302560	Plate	43	13-304	Gland
17	301837	Screw	44	302135	Spring
18	43-259	Screw	45	302137	Washer
19	302570	Handle	46	302136	Valve
20	132124	Screw	47	302557	Gasket
21	301814	Gasket	48	302556	Support
22	302572	Housing	49	53-85	Screw
23	302802	Retainer	50	376092	Fuel Tank (Only)
24	301815	Push Button	51	301838	Chain
25	17-186	Cotter Pin	52	15-213	Cotter Pin
26	302561	Push Rod			(376095 Fuel Tank Assembly Complete)
27	301800	Support			

See Page 20 for Numerical Part List

Order All Parts from Nearest Service Station or Dealer

Always Give Part Number and Motor Number

NUMERICAL PARTS LIST

Part No.	No. Required Per Motor	NAME OF PART
1-135	1	Key - Pinion to Pinion Shaft.....
3-28	2	Lockwasher - Armature Plate Mounting Screw.....
7-261	1	Gland - Water Tube
13-51	1	Lockwasher - Spindle to Starter Housing.....
13-304	1	Gland - Gas Line
13-332	1	Cotter Pin
13-558	8	Screw - Lower to Upper Housing
13-588	1	Screw - Spindle to Starter Housing
15-213	1	Cotter Pin - Filler Cap
15-249	2	Screw - Breaker Mounting
15-268	1	Cotter Pin - Connector
17-182	1	Nut - Tilting Bolt
17-186	1	Cotter Pin - Push Button
19-136	2	Nut - Carburetor to Intake Manifold Stud.....
19-191	3	Screw - Leaf Valve to Crankcase - Check Valve.....
21-163	1	Cotter Pin - Choke Control Rod
21-195	1	Nut - Push Rod
21-200	4	Washer - Silencer to Manifold - Throttle Cam Screw
21-359	1	Screw - Fuel Connector to Steering Bracket.....
25-74	10	Screw - Silencer to Manifold - Exhaust Cover to Cylinder...
25-196	1	Washer - Spring to Tilting Bolt Nut.....
27-283	3	Plug - Flush - Fill and Drain Gearcase.....
27-284	3	Gasket - Flush Plug - Gearcase Fill and Drain Plugs.....
27-309	4	Plug - Carburetor - Cylinder - Cylinder Head.....
41-17	4	Lockplate - Connecting Rod Screw
41-44	4	Screw - Connecting Rod
41-48	2	Swivel Plate
41-110	2	Pin - Cam Follower Link
41-163	2	Cotter Pin - Cover
41-178	2	Screw - Cylinder to Crankcase.....
41-197	1	Spring - Starter
41-205	2	Screw - Clamp Plate to Handle
41-223	4	Screw - Armature Plate Support
41-333	6	Piston Ring
43-123	4	Packing - High and Slow Speed Valve
43-144	1	Anchor - Starting Rope
43-156	4	Screw - Bearing Clamp - Front Mounting - Detent Spring...
43-259	4	Screw - Handle to Housing
43-302	10	Washer - Cylinder Head Screw.....
44-19	1	Rope and Anchor Assembly
51-47	11	Screw - Cylinder to Crankcase - Driveshaft Casing to Cylinder
51-137	1	Lockwasher - Fuel Connector to Steering Bracket.....
53-85	2	Screw - Support Plate to Tank.....
71-1026	3	Lockwasher - Retainer Screw
71-1038	2	Screw - Throttle and Cam Follower Levers
71-1052	4	Clip - Cam Follower - Armature Plate.....
71-1084	4	Screw - Cylinder to Crankcase
71-1239	1	Marker - High Tension Lead - Upper.....
71-1352	1	Screw - Pinion - Throttle Control.....
85-64	3	Nut - Reverse Link - Lower - Shift Rod to Connector.....
85-101	2	Stud - Intake Manifold
120110	4	Lock Ring - Wrist Pin
120395	1	Key - Crankshaft to Flywheel
132123	1	Screw - Exhaust Cover to Cylinder and Bearing Clamp.....
132124	8	Screw - Support Plate to Housing.....
132346	1	Screw - Anchor and Exhaust Cover to Cylinder
132509	1	Screw - Filter Element
132679	1	Screw - Co-pilot Plate
132691	1	Nut - Gas Line
133451	7	Screw - Manifold to Crankcase
133452	2	Screw - Steering Handle Halves
160084	3	Ball - Stern Bracket to Swivel Bracket.....
200322	2	Spark Plug

Order All Parts from Nearest Station or Dealer

Always Give Part Number and Motor Number

NUMERICAL PARTS LIST

Part No.	No. Required Per Motor	NAME OF PART
200931	1	Screw - Cover Plate to Silencer Body.....
202021	1	Spring - Tilting Lever
202065	3	Washer - Cover - High Speed Needle Valve.....
202111	1	Ratchet - Starter
202114	1	Equalizer Cup
202155	3	Spring - Equalizer Cup
202156	1	Pin - Spindle
202317	3	Retainer - Starter Pawl
202356	1	Washer - Starter Spindle
202470	3	Starter Pawl
202617	1	Shim - Stern Bracket to Swivel Bracket.....
202667	2	Leaf Valve
202668	2	Plate - Leaf Back - up.....
203163	1	Lever - Cam Follower
203164	1	Link - Lever to Follower
203166	1	Spring - Cam Follower
203235	1	Leaf Valve - Crankcase Drain
203248	1	Plate - Leaf Valve
203290	2	Bumper - Shroud Front to Rear.....
203355	1	Washer - Slow Speed Packing Nut.....
203387	1	Cover - Air Silencer
203450	2	Spring - Upper Mount (CDL)
203451	2	Spring - Lower Mount (CDL)
276589	1	Starter Pulley
276643	1	Spindle and Pin Assembly.....
277181	1	Impeller Assembly
277286	1	Loading Tube and Air Silencer Assembly.....
300096	1	Hinge Pin - Float Arm
300154	1	Washer - Anchor and Exhaust Cover Screw.....
300179	1	Nut - High Speed Needle Valve.....
300181	5	Screw - Float Chamber to Carburetor Body.....
300258	6	Screw - Gearcase - Lower to Upper.....
300314	1	Plug - Water Intake Screen
300346	1	Groove Pin - Gear and Shaft Assembly.....
300399	4	Washer - Crankcase to Cylinder Screw.....
300402	2	Taper Pin
300454	1	Grommet - Ignition Lead
300455	1	Anchor - Ignition Lead
300599	1	Seal - Bearing Housing
300611	1	Dowel Pin - Front Bearing to Gearcase.....
300771	1	Pin - Impeller
301736	1	Lockwasher - Push Rod
301800	2	Support - Diaphragm
301802	1	Disc Valve
301803	1	Spring - Fuel Pump
301814	12	Gasket - Support to Housing Screw.....
301815	1	Push Button
301819	4	Gasket - Nipple
301820	4	Nipple
301822	6	Clamp - Hose - Fuel Connector Hose.....
301824	2	O-Ring - Seal - Fuel Connector.....
301825	2	Spring - Valve - Fuel Connector.....
301826	2	Valve - Fuel Connector
301827	2	Washer - Valve Guide.....
301828	2	Retainer - Seal Ring
301829	1	Spring - Lock
301830	1	Lock - Fuel Connector
301832	1	Rivet - Lock
301835	1	Gasket - Filler Cap
301837	1	Screw - Filler Cap
301838	1	Chain - Filler Cap
301877	1	O-Ring - Shift Rod
301912	1	Cotter Pin - Shift Lever Pin.....

Order All Parts from Nearest Station or Dealer

Always Give Part Number and Motor Number

NUMERICAL PARTS LIST

Part No.	No. Required Per Motor	NAME OF PART
301983	1	Conical Washer
301988	1	Nut - Flywheel
301996	1	Gasket - Float Valve Seat
302042	1	Check Valve - Air Line.....
302046	2	Spacer - Check Valve
302048	1	Spring - Check Valve
302051	1	Spring - Tilting Bolt
302104	3	Screw - Retainer
302124	1	Screw - Cover Plate to Silencer Body.....
302135	1	Spring - Pressure Relief
302136	1	Valve - Pressure Relief
302137	1	Washer - Pressure Relief
302222	1	Friction Spring - Starter
302325	5	Screw - Gearcase to Driveshaft Casing - Gearcase.....
		Extension (Model CDL)
302333	1	Drive Pin
302420	2	Retainer
302430	1	Screw - Spring to Carburetor Body.....
302442	1	Retaining Ring - Armature Plate.....
302468	3	Screw - Ratchet to Flywheel
302497	1	Grommet - Water Tube
302504	1	Pin - Shift Rod
302555	1	Housing - Lower
302556	1	Support Plate
302557	1	Gasket - Fuel Tank
302559	1	Float - Fuel Tank
302560	1	Plate - Filler Cap
302561	1	Push Rod - Fuel Pump
302563	1	Diaphragm - Fuel Pump
302568	1	Glass - Fuel Tank
302570	1	Handle - Fuel Tank.....
302571	1	Seal - Fuel Tank Glass
302572	1	Housing - Upper
302580	1	Wave Washer - Armature Plate
302599	1	Support - Armature Plate
302647	2	Clamp - Hose
302653	1	Pin - Indicator
302654	2	Snap Ring - Indicator Pin
302677	1	Screw - Retainer to Steering Bracket - Lower.....
302681	2	Screw - By-Pass Cover
302710	1	Screw - Steering Handle Grip
302712	1	Washer - Steering Handle
302717	1	Bushing - Steering Handle
302750	2	Screw - Cam - Armature Plate.....
302756	1	Washer - Pivot Pin
302761	1	Screw - Choke Knob
302802	2	Retainer - Hose
302977	1	Spring - Choke Control Rod
302978	1	Lever - Throttle Shaft
302984	1	Gasket - Float Chamber to Carburetor Body Boss.....
302994	1	Gasket - Carburetor Body to Float Chamber.....
302996	1	Spring - Throttle Shaft
302997	1	Rod - Choke Control
303041	1	Screw - Float Chamber Drain.....
303048	1	Washer - Throttle Shaft
303049	3	Cotter Pin - Throttle Shaft - Reverse Lock Shaft.....
303078	1	Screw Steering Handle Halves.....
303079	2	Washer - Steering Bracket to Handle.....
303093	1	Steering Handle - Inner Half
303096	1	Cover - Steering Handle Gears
303107	1	Washer - Pinion Gear
303109	2	Bearing Clamp

Order All Parts from Nearest Station or Dealer

Always Give Part Number and Motor Number

NUMERICAL PARTS LIST

Part No.	No. Required Per Motor	NAME OF PART
303110	1	Plate - Throttle Control - Steering Handle.....
303121	1	Filter Bowl
303122	1	Gasket - Filter Bowl
303125	1	Screw - Plug - Filter Outlet
303130	1	Float Chamber
303133	1	Filter Element
303134	1	Retainer - Gasoline Filter
303140	1	Bushing - Throttle Control
303142	1	Pinion - Throttle Control
303146	1	Spring Clip - Armature Plate Link
303172	1	Nipple - Gasoline Filter
303191	1	O-Ring - Shift Lever
303213	1	Grip - Steering Handle
303236	2	Spring - Shift Lever and Shaft Assembly to Washer - Lever to gear
303249	1	Cover - Inspection Hole - Flywheel
303252	1	Washer - Steering Handle to Spring.....
303261	1	Pin - Driveshaft
303282	1	Friction Block - Grip
303288	3	Screw - Starter Housing to Cylinder.....
303327	1	Washer - Lower Bearing Seal Spring.....
303328	1	Seal - Gearcase - Upper to Lower.....
303331	1	Screen - Water Intake
303332	1	Bushing - Shift Rod - Upper Gearcase.....
303333	2	Wrist Pin
303339	1	Gasket - Bearing Housing to Gearcase.....
303340	1	Lever - Shifter
303344	1	Cover - Water By-Pass
303345	1	Seal - Gearcase Head
303346	1	Thrust Washer - Pinion Shaft
303347	1	O-Ring - Lower Bearing Seal to Driveshaft.....
303348	1	Nut - Water Tube
303349	1	Tilting Bolt
303350	1	Support - Driveshaft Casing to Steering Bracket.....
303353	1	Plate - Steering Bracket
303354	1	Lever - Shift Rod
303355	1	Gasket - Driveshaft to Crankcase
303356	1	Plate - Driveshaft to Crankcase
303357	1	Spring - Lower Bearing to Crankcase Seal.....
303358	1	Pivot Pin - Shifting Lever
303359	1	Thrust Washer - Steering Bracket to Swivel Bracket.....
303360	1	O-Ring - Gearcase Head
303361	2	Thrust Washer - Propeller Shaft
303362	1	Sleeve - Friction Band
303363	1	Plate - Co-Pilot
303364	1	Grommet - Reverse Lock Arm to Reverse Lock Link.....
303365	1	Rubber Cap - Propeller Shaft
303368	1	Shoulder Screw - Reverse Lock Arm
303369	4	Spring Retainer - Upper Mount
303370	1	Upper Liner - Swivel Bracket
303371	1	Shock Absorber - Lower - Swivel Bracket.....
303372	1	Retainer - Steering Bracket
303376	1	Plate - Impeller Housing
303380	1	Bearing - Front - Gearcase
303381	1	Cradle
303389	1	Water Tube
303391	1	Seal - Lower Bearing Seal to Driveshaft.....
303392	1	Friction Band
303393	1	Screw - Retainer to Steering Bracket - Upper.....
303394	4	Screw - Spring Retainer
303395	4	Screw - Impeller Housing
303396	1	Screw - Stern Bracket - Port to Star.....

Order All Parts from Nearest Station or Dealer

Always Give Part Number and Motor Number

NUMERICAL PARTS LIST

Part No.	No. Required Per Motor	NAME OF PART
303397	2	Screw - Friction Band to Driveshaft Casing.....
303398	3	Screw - Steering Bracket to Pilot Shaft.....
303401	1	Shift Rod
303406	1	Swivel Bracket
303407	1	Exhaust Cover
303408	1	Link - Reverse Lock - Upper
303409	1	Arm - Reverse Lock
303410	1	Gear - Throttle Control
303414	1	Hose
303421	1	Locking Lever - Reverse
303436	1	Rod - Reverse Lock
303437	1	Gasket - Carburetor to Intake Manifold.....
303438	1	Gasket - Cylinder Head
303439	1	Gasket - Exhaust Cover
303442	1	Impeller Housing
303443	1	Propeller Shaft
303444	1	Choke Valve
303445	1	Crankshaft
303446	1	Throttle Valve
303447	1	Nozzle - High Speed
303448	1	Needle Valve - Slow Speed
303449	1	Needle Valve - High Speed
303453	1	Gasket - Leaf Plate to Crankcase.....
303454	1	Gasket - Intake Manifold to Leaf Plate.....
303458	2	Spring - Upper Mount
303459	10	Screw - Cylinder Head to Cylinder
303460	2	Hose - Fuel Connector to Carburetor and Intake Manifold...
303461	2	Spring - Lower Mount
303462	1	Leaf Plate
303463	1	Hose - Oil Return
303464	1	Spring - Reverse Lock Rod to Swivel Bracket.....
303465	1	Spring - Reverse Lock Rod to Reverse Lock.....
303466	1	Spring - Detent Spring - Upper Gearcase.....
303467	1	Gasket - Driveshaft Casing to Cylinder.....
303468	1	Lever - Control - Armature Plate.....
303470	1	Cam - Armature Plate
303473	2	Clamp - Oil Return Hose.....
303479	1	Nut - Slow Speed Needle Valve.....
303500	1	Pilot Shaft - Steering Bracket.....
303516	1	Clamp Plate - Rope Handle
303517	1	Adjusting Knob - Slow Speed
303518	3	Spring - High Speed Needle Valve - Cover.....
303519	2	Spring - Shroud Clamp
303521	1	Adjusting Lever - High Speed
303522	2	Pin - Shroud Clamp
303526	1	Control Panel
303527	1	Grommet - Shroud to Control Panel.....
303528	1	Cover - Shroud - Front
303529	1	Grommet - Shroud to Cover.....
303532	1	Sleeve - Slow Speed Needle Valve.....
303535	2	Grommet - High Speed Valve - Cover.....
303536	1	Hinge Pin - Shroud
303548	1	Spring - Slow Speed Needle Valve
303552	1	Transfer - Sea Horse 5½ - Star.....
303564	2	Bumper - Shroud to Cylinder Head
303565	2	Washer - Shroud to Cylinder Head Bumper.....
303585	1	Cover - Exhaust Tube
303586	1	Gasket - Exhaust Tube to Cover.....
303587	1	Screw - Cover to Exhaust Tube - Lower.....
303588	1	Screw - Cover to Exhaust Tube - Center.....
303589	1	Screw - Cover to Exhaust Tube - Upper.....
303590	2	Cotter Pin - Shroud Clamp
303620	2	Transfer - Johnson - Port and Star.....

Order All Parts from Nearest Station or Dealer

Always Give Part Number and Motor Number

NUMERICAL PARTS LIST

Part No.	Per Motor No. Required	NAME OF PART
303628	1	Transfer - Sea Horse 5½ - Port.....
401985	1	Transfer - Starting and Oiling
303649	1	Oil Slinger
303666	1	Shift Rod (Model CDL).....
303668	1	Water Tube (Model CDL)
303672	1	Gearcase Extension (Model CDL)
303696	1	Pin - Swivel Bracket to Upper Liner
303697	1	Spacer - Co-pilot Plate to Upper Liner.....
303700	1	Spring - Back-up - Detent Spring
303701	1	Lockwasher - Shift Rod Nut
303702	1	Connector - Shift Rod to Lever
303705	1	Link - Reverse Lock - Lower.....
303706	1	Coupling - Link - Upper and Lower Reverse Lock.....
303708	1	Follower - Throttle Cam
303714	1	Screw - Shift Lever - Shaft Assembly.....
303715	1	Washer - Shift Lever to Shaft Screw.....
303718	1	Choke Knob
303730	1	Spring - Grip to Friction Block
303760	2	Screw - Throttle & Choke Valve to Shaft.....
303761	4	Screw - Valve to Leaf Plate.....
303762	4	Lockwasher - Leaf Valve Screw
303775	1	Washer - Shift Lever & Shaft Assembly.....
303796	1	Grommet
375587	1	Fuel Connector Assembly
375744	2	Clampscrew, Swivel Plate & Retainer Assembly
375788	1	Body Assembly - Fuel Connector
375817	1	Filler Cap Assembly
375919	1	Float & Float Arm Assembly
375921	1	Choke Shaft & Lever Assembly
375922	1	Throttle Shaft & Lever Assembly
375977	1	Gear & Shaft Assembly - Long.....
375979	1	Gear & Shaft Assembly - Short
375985	1	Float Valve & Seat Assembly
376042	1	Steering Handle & Bushing Assembly - Outer Half.....
376062	1	Gearcase, Bushing & Pin Assembly
376063	1	Tilting Lever Assembly
376064	1	Plate & Link Assembly - Throttle Control.....
376066	2	Connecting Rod Assembly
376067	2	Piston & Dowel Pin Assembly
376069	1	Gearcase Head & Bearing Assembly
376070	2	Piston & Connecting Rod Assembly, With Rings.....
376072	1	Propeller
376073	1	Pinion Shaft & Shock Absorber Assembly
376074	1	Bearing Housing & Bearing Assembly
376077	1	Shift Lever & Shaft Assembly
376078	1	Shifter Clutch Dog Assembly
376080	1	Cylinder Head & Core Plug Assembly.....
376081	1	Stern Bracket & Clampscrew Assembly - Port.....
376082	1	Stern Bracket & Clampscrew Assembly - Starboard.....
376088	1	Intake Manifold, Nipple & Stud Assembly.....
376092	1	Fuel Tank (only)
376093	1	Driveshaft and Pin Assembly
376095	1	Fuel Tank Assembly Complete
376099	1	Starter Housing & Pin Assembly
376100	1	Carburetor Assembly Complete
376122	1	Steering Bracket & Bushing Assembly
376128	2	Wing Screw Assembly - Shroud.....
376129	2	Clamp & Lever Assembly
376131	2	Spring & Nut Assembly
376132	1	Handle - Starter
376191	1	Foot Valve Assembly
376192	1	Indicator Assembly
376228	1	Starter Assembly Complete

Order All Parts from Nearest Station or Dealer

Always Give Part Number and Motor Number

NUMERICAL PARTS LIST

Part No.	No. Required Per Motor	NAME OF PART
376229	1	Cylinder & Crankcase Assembly
376231	1	Filter Yoke Assembly
376232	1	Carburetor Body & Plug Assembly
376233	1	Leaf Plate Assembly
376235	1	Pinion, Gears & Bushing Assembly
376262	1	Shroud & Transfer Assembly
376267	1	Driveshaft & Water Tube Assembly.....
376273	1	Driveshaft and Pin Assembly (Model CDL).....
510168	1	Cam - Magneto
510173	2	Condenser
510185	2	Eccentric Screw - Breaker
510188	1	Oiler Clip
510189	1	Oiler Wick
510191	2	Screw - Coil & Armature Plate Mounting
510192	2	Screw - Armature Plate Mounting
510193	5	Screw - Linkage Assem. to Arm. Plate - Condenser High Tension Lead Clamp
510194	2	Screw - Breaker Terminal
510195	4	Screw - Lamination Mounting
510204	2	Clip - Breaker Spring
510208	2	Bow Washer - Breaker Mounting
510231	2	Spring Terminal - High Tension Leads.....
510232	2	Rubber Cover - High Tension Leads - Spark Plug.....
510233	2	Insulating Sleeve - High Tension Leads.....
510256	1	High Tension Lead - Upper
510257	1	High Tension Lead - Lower
510259	1	Clamp - High Tension Leads
550565	1	Cotter Pin - Reverse Lock Link to Lever.....
551113	1	Spring - Co-pilot Plate Screw
551517	2	Screw - High and Slow Speed Needle Valves.....
580118	2	Coil & Lamination Assembly
580121	1	Armature Plate & Post Assembly
580122	2	Breaker Base Assembly
580123	2	Breaker Arm Assembly
580148	2	Breaker Assembly
580150	1	Flywheel Assembly
580172	1	Armature Plate Assembly Complete
580178	1	High Tension Lead Assembly - Upper
580179	1	High Tension Lead Assembly - Lower.....

Order All Parts from Nearest Station or Dealer