

1955

## PARTS LIST

\*\*\*

# EVINRUDE FASTWIN 15

MODELS 15014 AND 15015

## INSTRUCTIONS ON HOW TO ORDER

For their convenience, as well as ours, we ask our customers to carefully follow our instructions in ordering parts.

We also request that owners order their parts from our dealer or nearest service station or distributor.

ORDER BY PART NUMBER GIVING NAME OF PART ALSO.

ALWAYS GIVE THE SERIAL NUMBER OF THE MOTOR FOR WHICH PART OR PARTS ARE REQUIRED.

This is very important, and is necessary to intelligently fill your order. If you cannot give the number of the motor, state when and from whom the motor was purchased.

TELEGRAMS AND HOW TO USE "EVINRUDE CODE."

Telegram rates are based on fifteen words or less, for immediate delivery. Day letter or night letter rates are considerably cheaper. Detailed information may be found on rear of any telegram blank.

Use the following code only on messages of more than fifteen words. Each five code letters are charged

for as a word. English words and code words may be used in the same message, but code letters cannot be combined with English words.

A - 1	G - 7	L - Air Parcel Post
B - 2	H - 8	M - Freight - Truck
C - 3	I - 9	V - Air Express
D - 4	J - 0	X - Express
E - 5	K - Each	Y - Parcel Post
F - 6	P - Number	Z - Freight - Railway

Following is an example of a telegram not coded and the same reduced to code:

(NOT CODED - 22 WORDS.)

Parcel Post Two Number One Three Naught Naught Four Four Propeller Nut Twelve Number One Three Naught Naught Five Three Shear Pins.

(CODED - 8 WORDS.)

YBPAC JJDD Propeller Nut ABPAC JJEC Shear Pins.

Do not use this code in cable messages.

## ROUTING • TERMS • RETURNS

### SHIPPING INSTRUCTIONS.

Unless specific instructions accompany the order, we will use our own judgement on how to ship.

TERMS: CASH WITH ORDER OR C.O.D.

In ordering parts, to avoid C.O.D. shipments and extra charges, all orders should be accompanied by cash. Save time and money by remitting sufficient cash to cover cost of parts and Transportation Charges. Stamps are accepted in payment of all orders not over \$1.00. The right to hold all

orders unaccompanied by cash is reserved by Evinrude Motors, Milwaukee.

A minimum charge of \$0.50 net will be made on all orders amounting to less than this amount. We reserve the right to furnish additional parts to make up the difference.

### INSTRUCTIONS ON RETURNING PARTS.

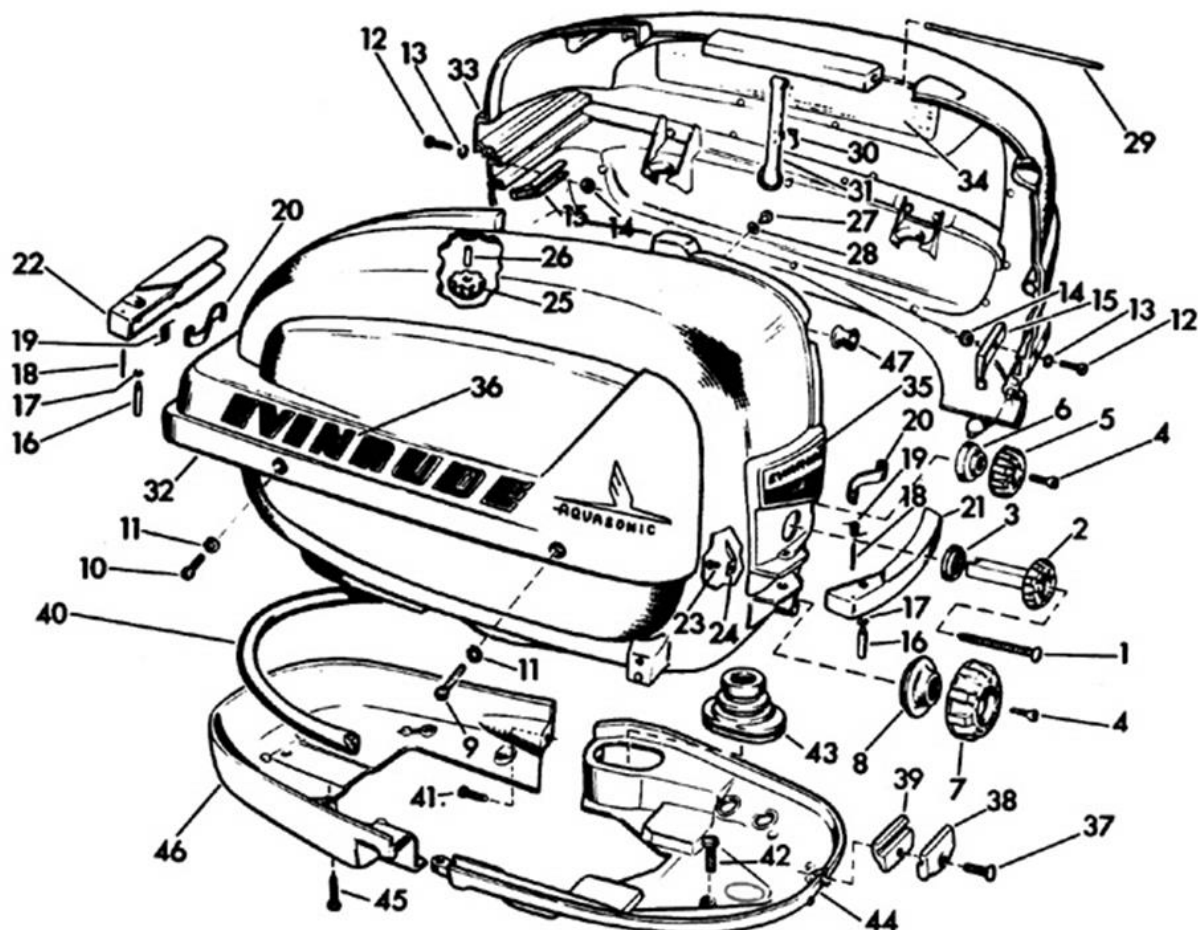
Parts can only be returned in accordance with terms outlined under the Service Policy laid down in the instruction manual.

\*\*\*

ALL PRICES SUBJECT TO CHANGE WITHOUT NOTICE

**EVINRUDE MOTORS, Milwaukee, Wis., U.S.A.**

CABLE ADDRESS "EVINRUDE"

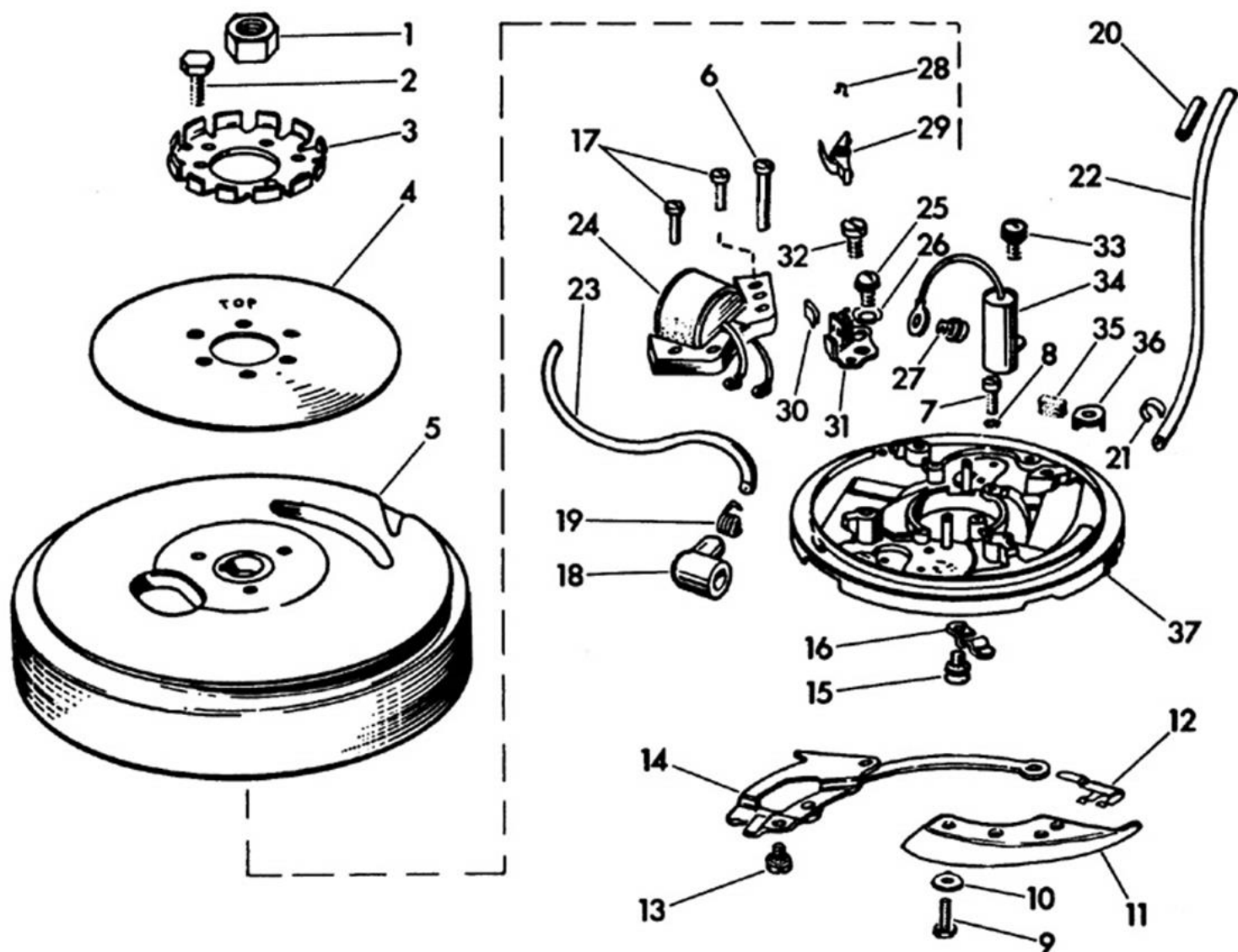


REF. NO.	PART NO.	NAME OF PART	QTY.	REF. NO.	PART NO.	NAME OF PART	QTY.
1	302761	Choke knob screw . . . . .	1	28	303887	Bumper to cover washer (where needed) . . . . .	4
2	203603	Choke control knob . . . . .	1	29	203279	Motor cover hinge pin . . . . .	1
3	203308	Motor cover to choke knob grommet . . . . .	1	30	303935	Motor cover strap clip . . . . .	1
4	551517	High and low speed control knob screw . . . . .	2	31	303923	Motor cover strap . . . . .	1
5	203601	Low speed control knob . . . . .	1	32	277352	Motor cover assembly - Starboard . . . . .	1
6	203617	Low speed cover grommet . . . . .	1	33	277351	Motor cover assembly - Port . . . . .	1
7	203600	High speed control knob . . . . .	1	34	203674	Instructions transfer . . . . .	1
8	203616	High speed cover grommet . . . . .	1	35	203542	Medallion transfer . . . . .	1
9	203300	Cover mounting screw, front . . . . .	1	36	203545	Motor cover transfer - Starboard . . . . .	1
10	203301	Cover mounting screw, rear . . . . .	1	*	203544	Motor cover transfer - Port . . . . .	1
11	19X124	Cover mounting screw lock washer . . . . .	2	37	304022	Seal to lower motor cover clamp screw . . . . .	1
12	39X176	Latch hook to motor cover screw . . . . .	2	38	304021	Outer seal to lower motor cover clamp . . . . .	1
13	303480	Latch hook screw lock washer . . . . .	2	39	304020	Inner seal to lower motor cover clamp . . . . .	1
14	301472	Latch hook screw nut . . . . .	2	40	304014	Lower motor cover seal . . . . .	1
15	203420	Motor cover latch hook . . . . .	2	41	304013	Lower motor cover to exhaust tube screw . . . . .	1
16	203468	Front and rear cover latch hinge pin . . . . .	2	42	304015	Lower front motor cover to exhaust tube screw . . . . .	1
17	203470	Hinge pin retaining ring . . . . .	2	43	304019	Control shaft to lower motor cover grommet . . . . .	1
18	203423	Pivot pin . . . . .	2	44	304004	Lower motor cover, front . . . . .	1
19	203422	Cover latch bale spring . . . . .	2	45	304012	Lower rear motor cover to exhaust tube screw . . . . .	4
20	203421	Cover latch bale . . . . .	2	46	304005	Lower motor cover, rear . . . . .	1
21	277232	Cover latch and bale assembly, front . . . . .	1	47	303560	Rope to motor cover eyelet . . . . .	1
22	277233	Cover latch and bale assembly, rear . . . . .	1	*	277356	Tool kit assembly . . . . .	1
23	21X283	Latch retainer spring screw . . . . .	2	*	43A128	Breaker and spark plug feeler . . . . .	1
24	203690	Latch retainer spring, front . . . . .	1				
*	203464	Latch retainer spring, rear . . . . .	1				
25	203455	Cover to starter housing bumper . . . . .	1				
26	303619	Cover to starter housing bumper pin . . . . .	1				
27	203290	Motor cover bumper . . . . .	5				

\*Not Shown

ORDER YOUR PARTS FROM YOUR DISTRICT SERVICE STATION

# FASTWIN MAGNETO

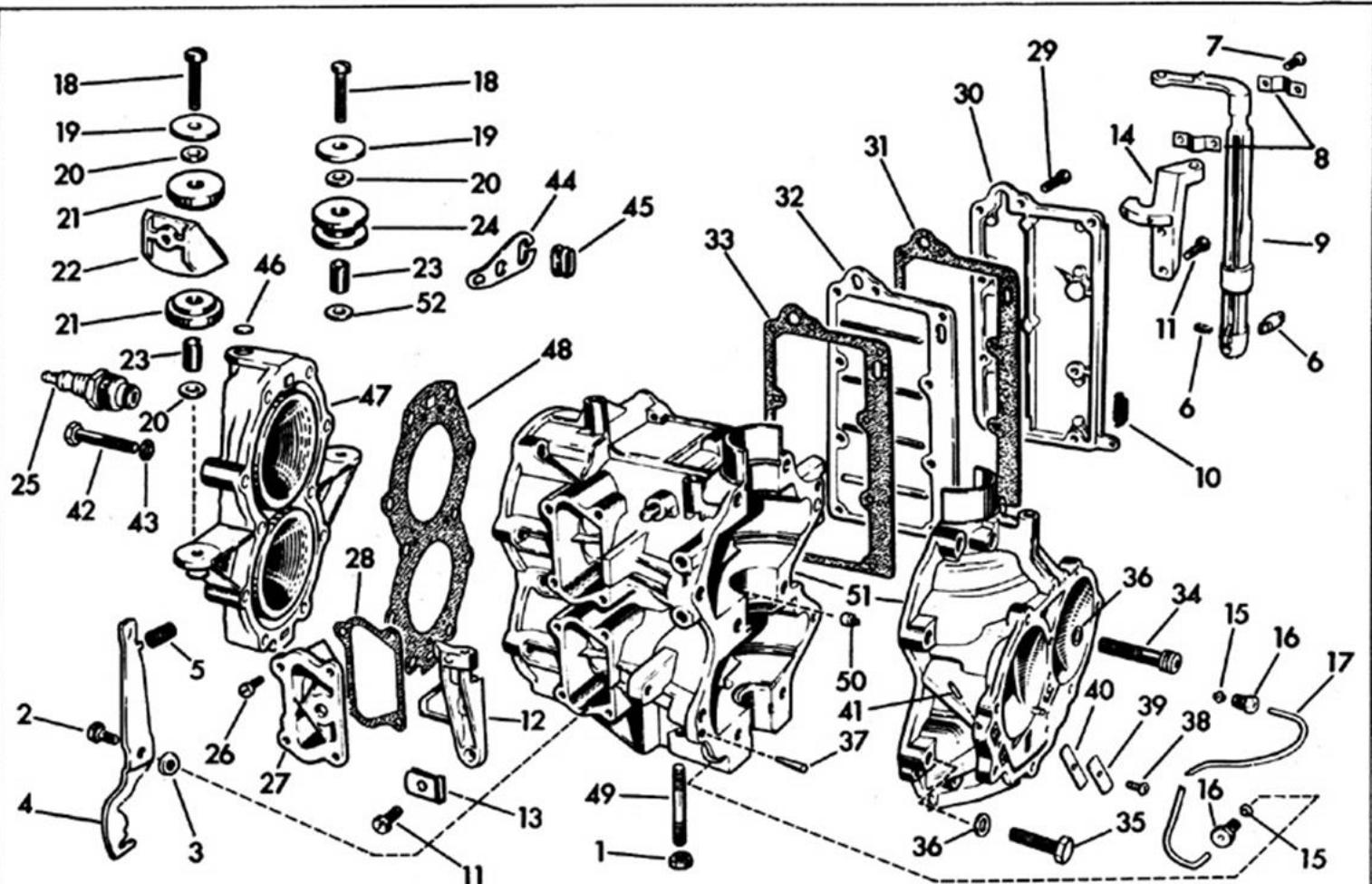


REF. NO.	PART NO.	NAME OF PART	QTY.	REF. NO.	PART NO.	NAME OF PART	QTY.
*	580153	Armature plate assy, less hdlc and cam . . . . .	1	19	510231	Spark plug lead spring terminal.	2
1	301988	Flywheel nut . . . . .	1	20	510233	High tension lead insulating sleeve . . . . .	1
2	302468	Starter ratchet screw . . . . .	3	21	120783	Marker . . . . .	1
3	202111	Starter ratchet . . . . .	1	22	510234	High tension lead only, upper . .	1
4	303249	Inspection hole cover . . . . .	1	23	510235	High tension lead only, lower . .	1
5	580155	Flywheel . . . . .	1	24	580118	Coil and lamination assembly . .	2
6	510191	Armature plate mounting screw	2	25	130255	Breaker mounting screw . . . . .	2
7	510192	Armature plate mounting screw	2	26	510208	Bow washer . . . . .	2
8	3X28	Armature plate mounting screw lockwasher . . . . .	2	27	510194	Breaker terminal screw . . . . .	2
9	302750	Throttle cam screw . . . . .	2	*	580148	Breaker assembly . . . . .	2
10	300154	Throttle cam screw washer . . .	2	28	71A1052	Spring clip . . . . .	2
11	203277	Throttle control cam . . . . .	1	29	580123	Rocker arm assembly . . . . .	2
12	303146	Arm. plate link spring clip . . .	1	30	510204	Breaker spring clip . . . . .	2
13	510193	Shifter lock stop screw . . . . .	2	31	580122	Breaker base assembly . . . . .	2
14	376313	Link and stop assy. . . . .	1	32	510185	Breaker eccentric screw . . . . .	2
15	510193	High tension lead clip mounting screw . . . . .	1	33	510193	Condenser mounting screw . . . .	2
16	510218	High tension lead clamp . . . . .	1	34	510173	Condenser . . . . .	2
17	510195	Lamination mounting screw . . .	4	35	510189	Oiler wick . . . . .	1
18	510232	Spark plug rubber cover. . . . .	2	36	510188	Oiler clip . . . . .	1
				37	580168	Armature plate and post . . . . .	1

\*Not shown

ORDER YOUR PARTS FROM YOUR DISTRICT SERVICE STATION

# FASTWIN CRANKCASE AND CYLINDER

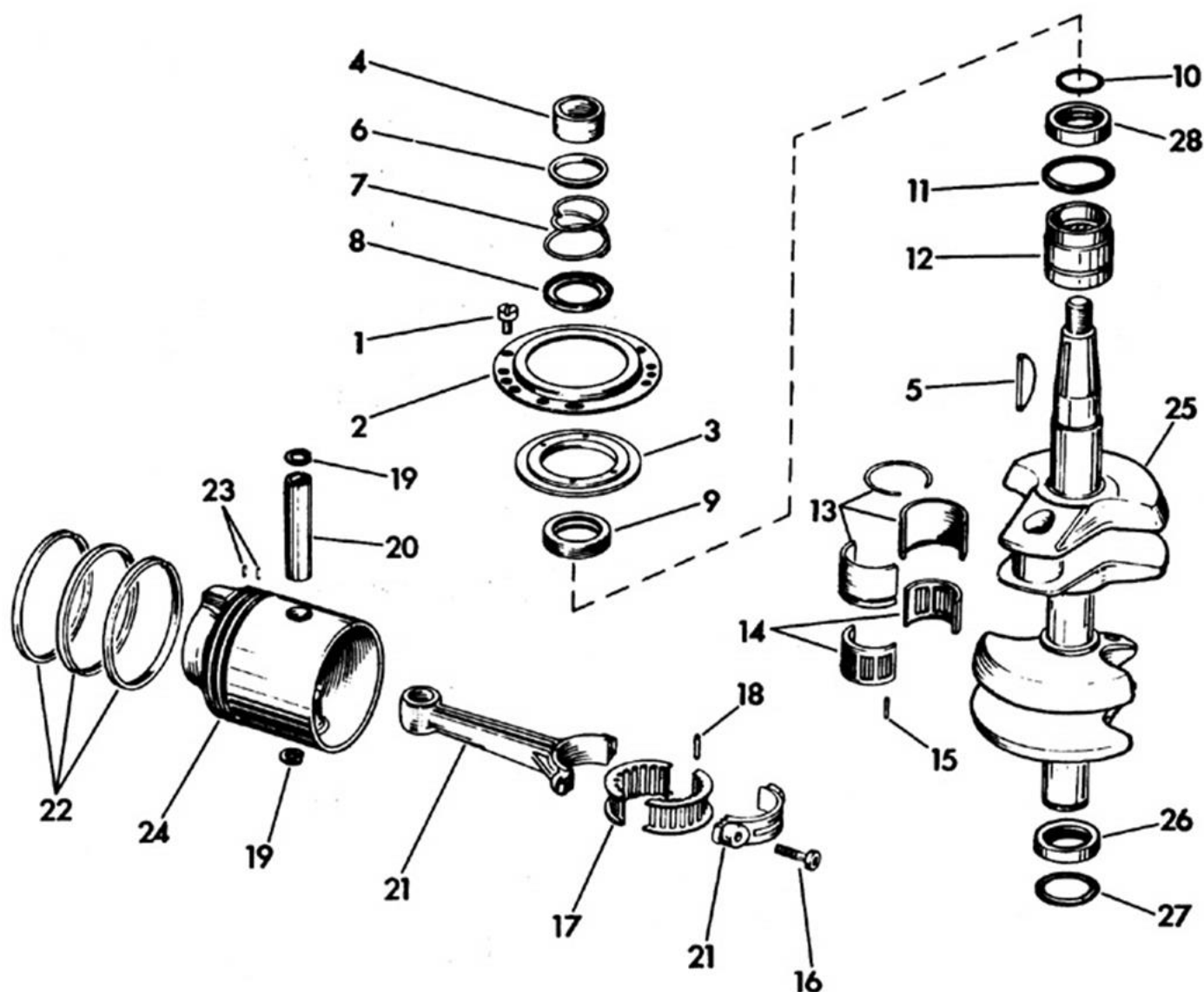


REF. NO.	PART NO.	NAME OF PART	QTY.	REF. NO.	PART NO.	NAME OF PART	QTY.
1	7X46	Flange to cylinder stud nut . . . . .	3	22	302404	Cover mtg. brkt., starboard . . . . .	1
2	302592	Shifter lock to cylinder screw . . . . .	1	23	302406	Cover mounting spacer . . . . .	2
3	304051	Shifter lock washer . . . . .	1	24	203280	Cover mounting grommet, port . . . . .	1
4	203596	Shifter lock . . . . .	1	*25	200322	Spark plug, Champion J6-J . . . . .	2
5	302587	Shifter lock spring . . . . .	1	*25	376290	Spark plug, Auto-Lite A3X . . . . .	2
6	303236	Arm. plate control lever spring, to motors 15014-08650 and 15015-01025 . . . . .	1	26	43X259	Bypass cover screw . . . . .	8
6	304155	Arm. plate control lever pin, motors 15014-08651 and up, 15015-01026 and up . . . . .	1	27	203253	Bypass cover . . . . .	2
7	43X156	Control lever brg. clamp screw . . . . .	2	28	203259	Bypass cover to cylinder gasket . . . . .	2
8	303109	Control lever brg. clamp . . . . .	2	29	43X110	Exhaust cover screw . . . . .	9
9	277415	Arm. plate control lever and throttle gear assy, to motors 15014-08650 and 15015-01025 . . . . .	1	30	203638	Exhaust cover . . . . .	1
9	203684	Arm. plate control lever, motors 15014-08651 and up, 15015-01026 and up . . . . .	1	31	203257	Exh. cover to baffle plate gasket . . . . .	1
10	302827	High tension lead spring . . . . .	1	32	203258	Exhaust cover baffle plate . . . . .	1
11	21X167	Starter mounting bracket screw . . . . .	4	33	203257	Baffle plate to cylinder gasket . . . . .	1
12	203678	Starter mtg. bracket, starboard . . . . .	1	34	203249	Crankcase to cyl. screw, center . . . . .	2
13	203285	Oil line clip . . . . .	1	35	25X242	Cylinder to crankcase screw . . . . .	8
14	203573	Starter mounting bracket, port . . . . .	1	36	15X212	Crankcase to cyl. screw washer . . . . .	6
15	11X61	Oil line gland . . . . .	2	37	300402	Taper pin . . . . .	2
16	41A105	Oil line packing nut . . . . .	2	38	19X191	Oil drain leaf valve screw . . . . .	1
17	203288	Oil line, tube . . . . .	1	39	203248	Leaf valve oil drain plate . . . . .	1
18	41X178	Cover mtg. brkt., port grommet screw . . . . .	2	40	203235	Crankcase oil drain leaf valve . . . . .	1
19	302407	Cover mounting washer, large . . . . .	2	41	301732	Oil passage plug . . . . .	1
20	43X302	Cover mounting washer, small . . . . .	3	42	21X486	Cylinder head screw . . . . .	10
21	302405	Cover mtg. brkt. grommet, starboard . . . . .	2	43	15X212	Cylinder head screw washer . . . . .	9
				44	300455	Ignition lead anchor . . . . .	1
				45	300454	Ignition lead grommet . . . . .	1
				46	202310	Expansion plug, 1/2 in. . . . .	2
				47	277211	Cyl. head and core plug assy . . . . .	1
				48	203247	Cylinder head gasket . . . . .	1
				49	15A149	Flange to cylinder stud . . . . .	3
				50	302037	Upper and center brg. dowel . . . . .	2
				51	277379	Cylinder and crankcase . . . . .	1
				52	203622	Cover mtg. washer, lower, port . . . . .	1

\*We recommend either Champion or Auto-Lite spark plug.

ORDER YOUR PARTS FROM YOUR DISTRICT SERVICE STATION

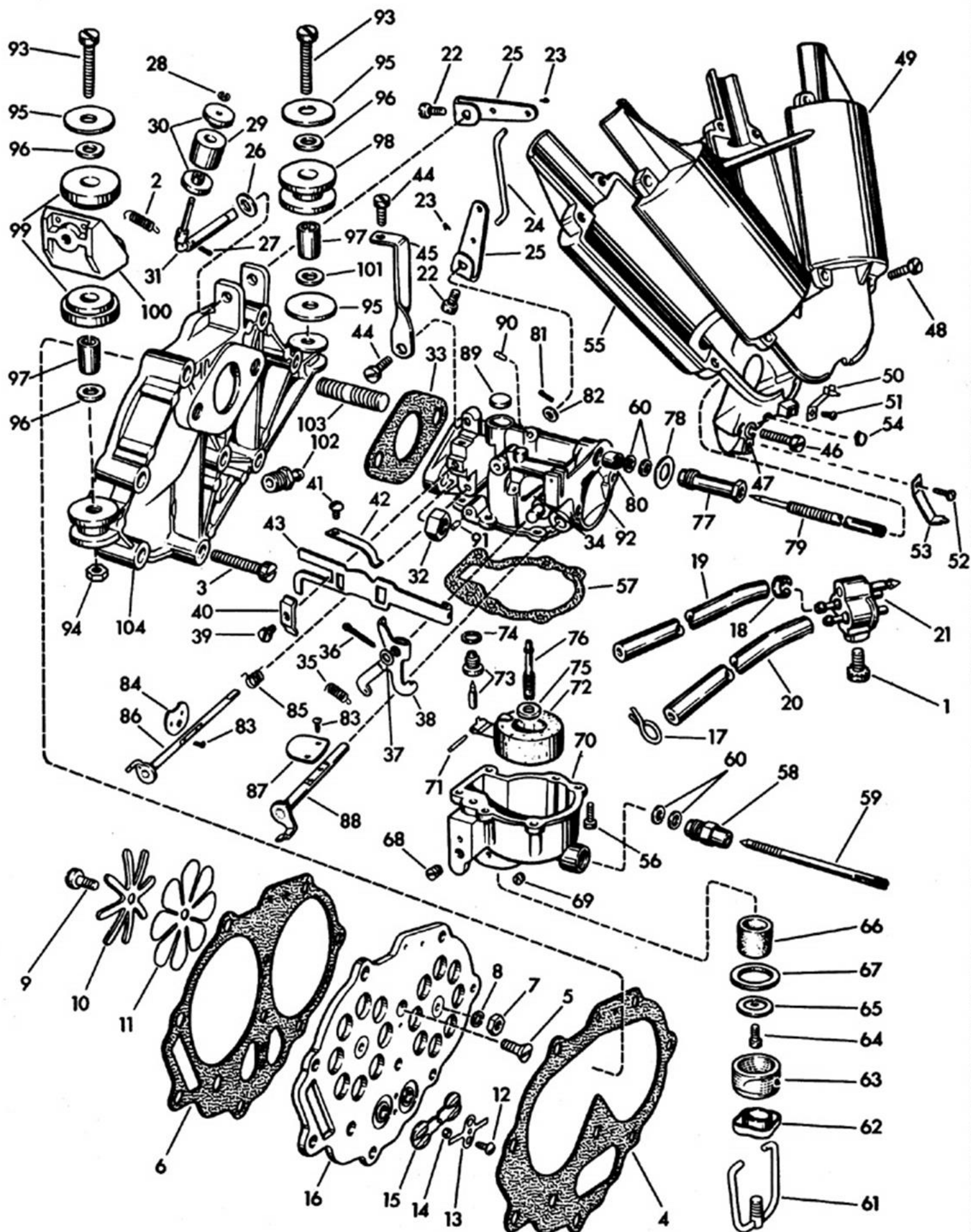
# FASTWIN CRANKSHAFT AND PISTON



REF. NO.	PART NO.	NAME OF PART	QTY.	REF. NO.	PART NO.	NAME OF PART	QTY.
1	41X223	Armature plate support screw . . .	3	15	302584	Center bearing roller . . . . .	18
2	303278	Armature plate support . . . . .	1	16	202967	Connecting rod screw . . . . .	4
3	303277	Armature plate retaining ring . . .	1	17	203244	Connecting rod bearing retainer . .	2
4	510168	Magneto cam . . . . .	1	18	302529	Connecting rod needle . . . . .	30
5	120395	Crankshaft key . . . . .	1	19	120011	Spring ring, to motors 10,000 . . .	4
6	301857	Outer Spring seal retaining washer to motors 50,000 . . . . .	1	19	302577	Spring ring, motors 10,001 and up	4
7	203250	Upper bearing seal spring to motors 50,000 . . . . .	1	20	203238	Piston pin . . . . .	2
8	302594	Upper bearing seal spring retaining washer to motors 50,000 . . . . .	1	21	277205	Connecting rod assy . . . . .	2
9	302538	Upper bearing seal (carbon) to motors 50,000 . . . . .	1	22	301787	Piston ring . . . . .	6
10	302540	Upper bearing seal (O-ring, inner) to motors 50,000 . . . . .	1	22	302399	Piston ring, .020 O.S. . . . .	6
11	302537	Upper bearing seal (O-ring, outer)	1	23	300288	Piston dowel pin . . . . .	6
12	375763	Roller bearing assy, upper to motors 50,000 . . . . .	1	24	277413	Piston, dowel pin, and ret. ring . .	2
12	277427	Roller bearing and seal assy, upper motors 50,001 and up . . . .	1	24	277405	Piston, dowel pin, and ret. ring, .020 O.S. . . . .	2
13	302585	Center bearing split sleeve . . . . .	1	25	203711	Crankshaft, motors 50,001 and up	1
14	302755	Bearing cage, center . . . . .	2	25	277428	Crankshaft assy, to motors, 50,000	1
				26	303804	Crankshaft bearing seal, lower motors 13,001 and up . . . . .	1
				27	301967	Crankshaft to gasket O-ring, to motors 13,000 . . . . .	1
				28	303804	Crankshaft bearing seal, upper motors 50,001 and up . . . . .	1

ORDER YOUR PARTS FROM YOUR DISTRICT SERVICE STATION

# FASTWIN CARBURETOR



ORDER YOUR PARTS FROM YOUR DISTRICT SERICE STATION

## FASTWIN CARBURETOR

REF. NO.	PART NO.	NAME OF PART	QTY.	REF. NO.	PART NO.	NAME OF PART	QTY.
*	375990	Carburetor assy . . . . .	1	48	43X259	Silencer assy screw . . . . .	8
1	303311	Fuel connector to bracket screw . .	1	49	203352	Air silencer, upper half . . . . .	1
2	203276	Cam follower spring . . . . .	1	50	203474	Low speed needle stop . . . . .	1
3	130618	Manifold to crankcase screw . . .	8	51	303678	Needle stop screw . . . . .	1
*	277206	Leaf plate assy . . . . .	1	52	303940	High speed needle stop screw . .	1
4	203270	Leaf plate to manifold gasket . . .	1	53	203621	High speed needle stop . . . . .	1
5	302104	Leaf plate assy to crankcase screw . . . . .	1	54	203652	Carb. air silencer button plug . .	1
6	203269	Leaf plate to crankcase gasket . .	1	55	277408	Air silencer, lower half, to motors 15014-04783 . . . . .	1
7	85X64	Leaf to leaf plate screw nut . . .	2	55	203683	Air silencer, lower half, motors 15014-04784 & up, & models 15015	1
8	71X1487	Leaf to leaf plate screw lock washer . . . . .	2	56	71X1589	Float chamber to carb. body screw .	5
9	301858	Leaf attaching screw . . . . .	2	57	302994	Float chamber to carb. body gasket	1
10	203234	Leaf stop . . . . .	2	58	302965	High speed valve nut . . . . .	1
11	203246	Carburetor leaf . . . . .	2	59	304082	High speed needle valve . . . . .	1
12	19X191	Check valve to leaf plate screw . .	2	60	43A123	High and low speed valve packing .	4
13	302048	Check valve spring . . . . .	1	61	375992	Yoke and screw assy . . . . .	1
14	302046	Check valve spring spacer . . . .	2	62	375989	Thumb nut and swivel cup assy . .	1
15	302042	Air line check valve . . . . .	1	63	303121	Filter bowl . . . . .	1
16	203267	Leaf plate only . . . . .	1	64	132509	Filter element screw . . . . .	1
17	302647	Carburetor and manifold fuel and air hose clamp . . . . .	2	65	303134	Gasoline filter retainer . . . . .	1
18	301822	Fuel connector-fuel and air hose clamp . . . . .	2	66	303133	Filter element . . . . .	1
19	203287	Manifold to fuel connector air line	1	67	303122	Filter bowl gasket . . . . .	1
20	203286	Carb. to fuel connector fuel line .	1	68	303125	Filter outlet screw plug, if used .	1
21	375788	Fuel connector body . . . . .	1	69	303041	Float drain screw . . . . .	1
22	302346	Throttle shaft arm and cam follower arm screw . . . . .	2	70	376404	Float chamber and nipple assy . .	1
23	41A110	Link to throttle lever and cam follower retaining pin . . . . .	2	71	300096	Float arm hinge pin . . . . .	1
24	203275	Throttle lever to cam follower link	1	72	375919	Float and float arm . . . . .	1
25	303124	Throttle shaft and cam follower arm . . . . .	2	73	375985	Float valve and seat . . . . .	1
26	303048	Cam follower washer . . . . .	1	74	301996	Float valve seat washer . . . . .	1
27	41X163	Cam follower to manifold cotter pin . . . . .	1	75	302984	Float chamber to carb. body boss gasket . . . . .	1
28	203363	Cam follower retainer . . . . .	1	76	303175	High speed nozzle . . . . .	1
29	203362	Cam follower roller . . . . .	1	77	303291	Slow speed valve nut . . . . .	1
30	303279	Cam follower bushing . . . . .	2	78	203355	Carb. packing nut washer . . . . .	1
31	203364	Throttle cam follower . . . . .	1	79	303945	Slow speed needle valve . . . . .	1
32	7X46	Carburetor nut . . . . .	2	80	303947	Slow speed needle valve bushing .	1
33	203237	Manifold to carburetor gasket . .	1	81	303049	Throttle shaft cotter pin . . . . .	1
34	21X163	Choke control rod cotter pin . . .	1	82	303048	Throttle shaft washer . . . . .	1
35	303316	Bell crank choke lever spring . . .	1	83	303760	Throttle and choke valve screw . .	4
36	41X163	Bell crank cotter pin . . . . .	1	84	303174	Throttle valve . . . . .	1
37	85X54	Bell crank washer . . . . .	1	85	303119	Throttle shaft spring . . . . .	1
38	303144	Choke bell crank . . . . .	1	86	375994	Throttle shaft and lever assy . . .	1
39	131249	Choke rod bracket screw . . . . .	1	87	303126	Choke valve . . . . .	1
40	303117	Choke rod bracket . . . . .	1	88	375993	Choke shaft and lever assy . . . .	1
41	302430	Spring to carb. body screw . . . .	1	89	202310	Expansion plug . . . . .	1
42	303132	Choke control rod spring . . . . .	1	90	301732	Carburetor body plug . . . . .	1
43	303143	Choke control rod . . . . .	1	91	43X219	Carburetor body plug . . . . .	1
44	43X147	Silencer mounting bracket screw . .	2	92	376147	Carb. body and bell crankshaft assy . . . . .	1
45	203356	Silencer mounting bracket . . . . .	1	93	303786	Cover mounting bracket and port grommet screw, front . . . . .	2
46	43X110	Silencer to carb. screw, motors 15014-04784 and up, and model 15015 . . . . .	2	94	15X254	Cover mounting bracket and port grommet screw nut . . . . .	2
46	132346	Silencer to carb. screw, to motors 15014-04783 . . . . .	2	95	302407	Cover mounting washer, large . . .	2
47	303916	Silencer to carb. screw lock washer, motors 15014-04784 and up and models 15015 . . . . .	2	96	43X302	Cover mounting washer, small . . .	3
47	120052	Silencer to carb. screw lock washer to motors 15014-04783 . .	2	97	302406	Cover mounting spacer . . . . .	2
				98	203280	Cover mounting grommet, port . . .	1
				99	302405	Cover mounting bracket grommet, starboard . . . . .	2
				100	302404	Cover mounting bracket, starboard	1
				101	203622	Cover mtg. washer, lower, port. . .	1
				102	303172	Manifold nipple . . . . .	1
				103	302822	Manifold to carb. stud . . . . .	2
				104	277226	Carb. manifold and stud . . . . .	1

\*Not Shown

ORDER YOUR PARTS FROM YOUR DISTRICT SERVICE STATION.

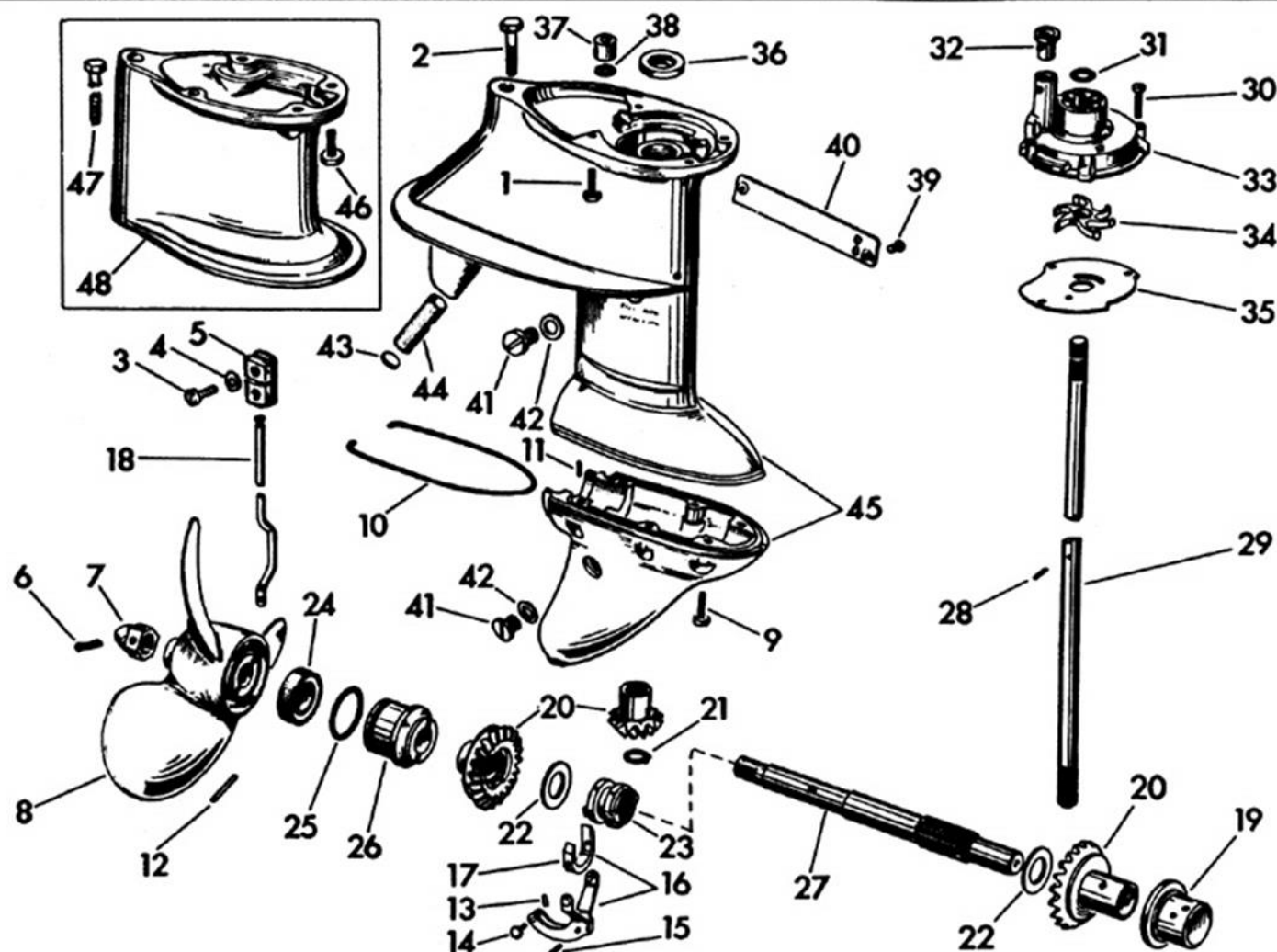
# FASTWIN EXHAUST TUBE AND SWIVEL BRACKET

REF. NO.	PART NO.	NAME OF PART	QTY.	REF. NO.	PART NO.	NAME OF PART	QTY.
1	7X46	Flange to power head nut . . . . .	3	56	303853	Steering bracket pilot shaft . . . . .	1
2	25X238	Power head to exh. housing screw	5	57	303865	Swivel bracket to lower housing thrust washer . . . . .	1
3	203694	Exh. tube gasket, to motors 13,000	1	58	303842	Steering bracket to swivel bracket thrust washer . . . . .	1
3	303892	Exh. tube gasket, motors 13,001 & up	1	59	303841	Swivel bracket shock absorber, lower . . . . .	1
4	302509	Exhaust housing cover plate screw	2	60	303696	Swivel bracket to upper liner pin . . . . .	1
5	303862	Exhaust housing cover plate . . . . .	1	61	303846	Swivel bracket liner, upper . . . . .	1
6	304023	Exhaust housing cover plate gasket	1	62	303843	Co-pilot plate to upper liner spacer	1
7	302871	Exhaust housing to gear case screw, rear . . . . .	1	63	303844	Co-pilot plate . . . . .	1
8	302710	Twist grip screw . . . . .	1	64	17X182	Tilting shaft bolt nut . . . . .	1
9	301656	Twist grip spring . . . . .	1	65	25X196	Tilting shaft washer . . . . .	1
10	303282	Grip friction block . . . . .	1	66	302051	Tilting shaft spring . . . . .	1
11	203307	Steering handle grip . . . . .	1	67	301984	Tilting shaft bolt. . . . .	1
12	203260	Throttle control plate . . . . .	1	68	202021	Tilting lever spring . . . . .	1
13	133452	Steering handle halves screw . . . . .	2	69	304095	Tilting lever adjustment stabilizer spring . . . . .	1
14	303078	Steering handle halves screw . . . . .	1	70	303396	Stern bracket screw - Port to starboard . . . . .	2
15	303093	Steering handle-inner half . . . . .	1	71	376312	Tilting lever assembly . . . . .	1
16	300346	Gear and shaft assy groove pin . . . . .	1	72	376284	Stern bracket and clamp screw assembly - Port . . . . .	1
17	303252	Steering handle to spring washer . . . . .	1	73	376283	Stern bracket and clamp screw assembly - Starboard . . . . .	1
18	302717	Steering handle bushing . . . . .	1	74	375742	Clamp screw swivel plate and retainer . . . . .	2
19	302712	Steering handle washer . . . . .	1	75	302420	Swivel plate retainer . . . . .	2
20	376416	Throttle control gear and shaft assembly, long . . . . .	1	76	41A48	Clamp screw swivel plate . . . . .	2
21	303094	Steering handle-outer half . . . . .	1	77	301983	Tilting shaft conical washer . . . . .	2
22	303096	Steering handle gears cover . . . . .	1	78	303049	Pivot shaft cotter pin . . . . .	1
23	303079	Steering bracket to handle washer	2	79	303930	Reverse locking lever pivot shaft	1
24	71X1352	Pinion screw . . . . .	1	80	303980	Manual locking lever arm . . . . .	1
25	376306	Throttle control gear and shaft assembly, short . . . . .	1	81	303978	Reverse lock arm to shaft link . . . . .	1
26	303142	Throttle control pinion . . . . .	1	82	15X268	Reverse lock rod cotter pin . . . . .	1
27	303107	Throttle control pinion gear washer	1	83	303949	Reverse lock rod . . . . .	1
28	277415	Throttle gear and control lever assy, to motors 15014-06850, & 15015-01025 . . . . .	1	84	303979	Reverse lock locking lever spring	1
28	304157	Throttle control gear, motors 15014-06851 & up, 15015-01026 & up	1	85	303948	Reverse locking lever . . . . .	1
29	303854	Throttle control bushing . . . . .	1	86	303950	Reverse lock link . . . . .	1
30	303722	Shift rod screw . . . . .	1	87	303840	Swivel bracket . . . . .	1
31	303721	Shift rod lever clip . . . . .	1	88	303888	Lower housing front mount to exhaust tube screw . . . . .	2
32	303189	Shift handle adj. screw nut . . . . .	1	89	303886	Shock absorber screw washer, medium . . . . .	2
33	21X167	Shift handle adj. screw . . . . .	1	90	303881	Exhaust tube rubber mount, lower front . . . . .	1
34	303480	Shift handle screw lock washer . . . . .	1	91	303889	Lower side mount screw nut . . . . .	2
35	39X72	Shift hdl. to adj. lever clamp screw	1	92	303880	Exhaust tube rubber mount, lower side . . . . .	2
36	376308	Gear shift handle and pin . . . . .	1	93	39X176	Thrust absorber mounting screw, upper . . . . .	4
37	376307	Adj. lever and shift shaft assembly.	1	94	303887	Shock absorber screw washer, small . . . . .	4
38	303191	Shift lever shaft "O" ring . . . . .	1	95	303879	Exhaust tube rubber mount, upper side . . . . .	2
39	15X268	Shift lever shaft cotter pin . . . . .	1	96	25X74	Loading tube assembly to exhaust tube screw . . . . .	2
40	302504	Shift rod to lever pin . . . . .	1	97	376289	Exhaust loading tube assembly . . . . .	1
41	303720	Shift rod lever . . . . .	1	98	304002	Exhaust relief baffle . . . . .	1
42	303861	Shift rod, upper . . . . .	1	99	303917	Water tube . . . . .	1
43	303889	Thrust absorber to strg. brkt. nut . . . . .	4	99	304037	Water tube, 5 in. longer . . . . .	1
44	303884	Shock absorber washer, large . . . . .	4	100	302497	Water tube grommet, upper . . . . .	1
45	303898	Lower housing to pilot shaft screw	2	101	15A149	Flange to power head stud . . . . .	3
46	303883	Rubber mount to housing screw . . . . .	2	102	376406	Exhaust housing assembly . . . . .	1
47	303886	Shock absorber screw washer, med.	2	103	304168	Lower side mount gasket . . . . .	4
48	303890	Thrust absorber to lower mount nut	2	104	304169	Lower front mount gasket . . . . .	1
49	303896	Lower mount housing - Port . . . . .	1				
50	303897	Lower mount housing - Starboard.	1				
51	303878	Exh. tube rubber mount, upper front	1				
51	304153	Exh. tube rubber mount, upper front - 5 in. longer . . . . .	1				
52	21X171	Steering brkt. to pilot shaft screw.	4				
53	376297	Steering bracket and bushing . . . . .	1				
54	132679	Co-pilot screw . . . . .	1				
55	551113	Co-pilot spring . . . . .	1				

ORDER YOUR PARTS FROM YOUR DISTRICT SERVICE STATION



# FASTWIN GEAR CASE

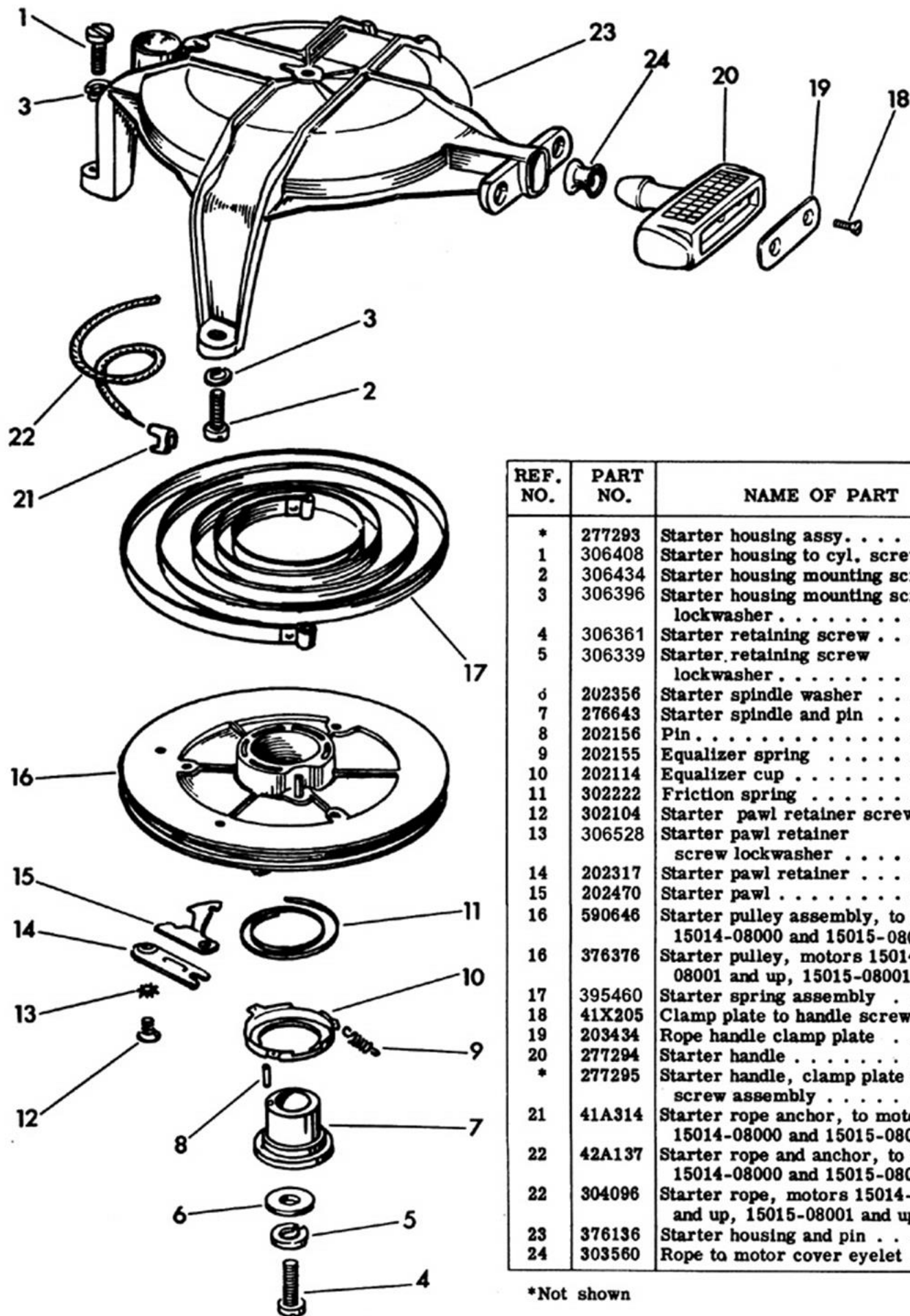


REF. NO.	PART NO.	NAME OF PART	QTY.	REF. NO.	PART NO.	NAME OF PART	QTY.
*	376412	Gear case assy . . . . .	1	23	375711	Clutch dog shifter assy . . . . .	1
1	302510	Upper gear housing to exhaust housing screw . . . . .	4	24	302495	Propeller shaft seal . . . . .	1
2	302871	Exhaust housing to gear case screw, rear . . . . .	1	25	302493	Gear case head "O" ring . . . . .	1
*	376407	Shift rod connector and screw assy . . . . .	1	26	375751	Gear housing head and brg. assy . . . . .	1
3	304024	Shift rod connector screw . . . . .	2	27	302483	Propeller shaft . . . . .	1
4	301551	Shift rod connector screw lock washer . . . . .	2	28	300771	Pump impeller pin . . . . .	1
5	303794	Upper and lower shift rod connector . . . . .	1	29	303860	Drive shaft . . . . .	1
6	302381	Propeller nut cotter pin . . . . .	1	29	304036	Drive shaft, 5 in. longer . . . . .	1
7	132477	Propeller nut . . . . .	1	30	302508	Impeller housing to upper gear housing screw . . . . .	3
8	277212	Propeller and bushing . . . . .	1	31	303067	Drive shaft to crankshaft "O" ring . . . . .	1
9	306446	Gear housing screw . . . . .	6	32	302497	Water tube grommet, lower . . . . .	1
10	302513	Upper to lower gear case seal . . . . .	1	33	303070	Impeller housing . . . . .	1
11	300611	Front and rear bearing dowel . . . . .	2	34	375638	Water pump impeller . . . . .	1
12	203663	Propeller shear pin . . . . .	1	35	303069	Impeller housing plate . . . . .	1
13	306376	Yoke to pin cotter pin . . . . .	1	36	307563	Drive shaft seal . . . . .	1
14	302504	Yoke to shift rod pin . . . . .	1	37	301878	Shift rod bushing, lower . . . . .	1
15	302501	Shifter lever pivot pin . . . . .	1	38	301877	Lower shift rod seal "O" ring . . . . .	1
16	376164	Shifter lever and cradle assy . . . . .	1	39	302509	Water bypass cover screw . . . . .	2
17	302500	Cradle . . . . .	1	40	203089	Water bypass cover . . . . .	1
18	303098	Shift rod, lower . . . . .	1	41	307551	Oil plug . . . . .	2
18	303257	Shift rod, lower, 5 in. longer . . . . .	1	42	307552	Oil plug washer . . . . .	2
19	302496	Front bearing . . . . .	1	43	300314	Water intake screen plug . . . . .	1
20	375844	Set of gears . . . . .	1	44	302757	Water intake screen . . . . .	1
21	301883	Pinion retaining ring . . . . .	1	45	376402	Gear housing, upper and lower . . . . .	1
22	301884	Propeller shaft thrust washer . . . . .	2	46	302510	Gear housing to gear case extension screw, 5 in. longer . . . . .	4
				47	304135	Exhaust housing to gear case extension screw, rear, 5 in. longer . . . . .	1
				48	304136	Gear case extension, 5 in. longer . . . . .	1

\*Not Shown

ORDER YOUR PARTS FROM YOUR DISTRICT SERVICE STATION

# FASTWIN STARTER

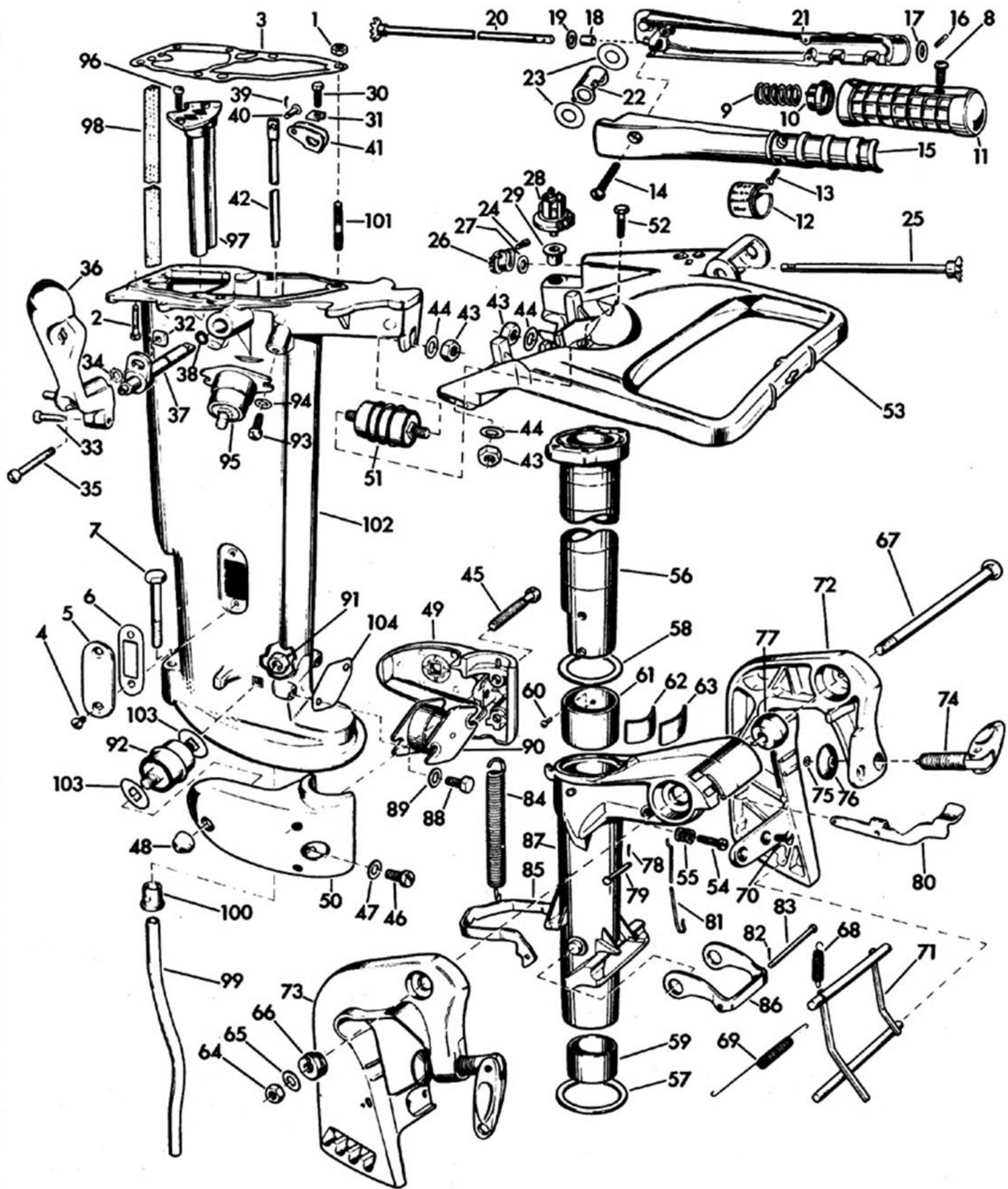


REF. NO.	PART NO.	NAME OF PART	QTY.
*	277293	Starter housing assy. . . . .	1
1	306408	Starter housing to cyl. screw . . .	1
2	306434	Starter housing mounting screw .	2
3	306396	Starter housing mounting screw lockwasher . . . . .	3
4	306361	Starter retaining screw . . . . .	1
5	306339	Starter retaining screw lockwasher . . . . .	1
6	202356	Starter spindle washer . . . . .	1
7	276643	Starter spindle and pin . . . . .	1
8	202156	Pin . . . . .	1
9	202155	Equalizer spring . . . . .	3
10	202114	Equalizer cup . . . . .	1
11	302222	Friction spring . . . . .	1
12	302104	Starter pawl retainer screw . . .	3
13	306528	Starter pawl retainer screw lockwasher . . . . .	3
14	202317	Starter pawl retainer . . . . .	3
15	202470	Starter pawl . . . . .	3
16	590646	Starter pulley assembly, to motors 15014-08000 and 15015-08000 . .	1
16	376376	Starter pulley, motors 15014- 08001 and up, 15015-08001 and up	1
17	395460	Starter spring assembly . . . . .	1
18	41X205	Clamp plate to handle screw . . .	2
19	203434	Rope handle clamp plate . . . . .	1
20	277294	Starter handle . . . . .	1
*	277295	Starter handle, clamp plate and screw assembly . . . . .	1
21	41A314	Starter rope anchor, to motors 15014-08000 and 15015-08000 . .	1
22	42A137	Starter rope and anchor, to motors 15014-08000 and 15015-08000 . .	1
22	304096	Starter rope, motors 15014-08001 and up, 15015-08001 and up . .	1
23	376136	Starter housing and pin . . . . .	1
24	303560	Rope to motor cover eyelet . . . .	1

\*Not shown

ORDER YOUR PARTS FROM YOUR DISTRICT SERVICE STATION

# FASTWIN EXHAUST TUBE AND SWIVEL BRACKET



ORDER YOUR PARTS FROM YOUR DISTRICT SERVICE STATION