

1955

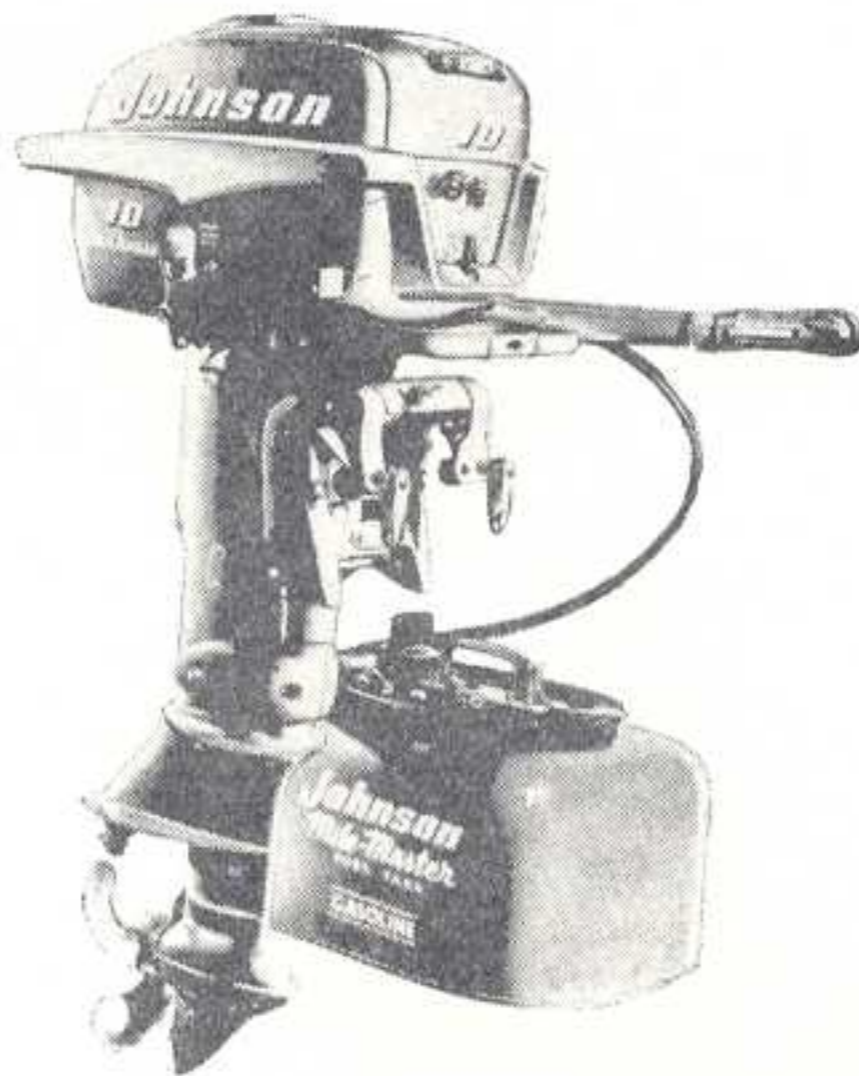
Part No. 376367

10 HP.

# PARTS CATALOG

FOR

## Models QD-16 and QDL-16



**SEA-HORSE 10**

### JOHNSON MOTORS

Waukegan, Illinois, U. S. A.

COPIES OF THE

Models QD-10 and QD-15



## Warranty

We warrant each new outboard motor of our manufacturer to be free from defects in material and workmanship under normal use and service, our obligation under this warranty being limited to making good at the factory any part or parts thereof which shall, within three (3) months after delivery of such motor to original purchasers, be returned to us with transportation charges prepaid, and which our examination shall disclose to our satisfaction to have been thus defective; this warranty being expressly in lieu of all other warranties and representations expressed or implied and of all other liabilities in connection with the sale or use of any motors.

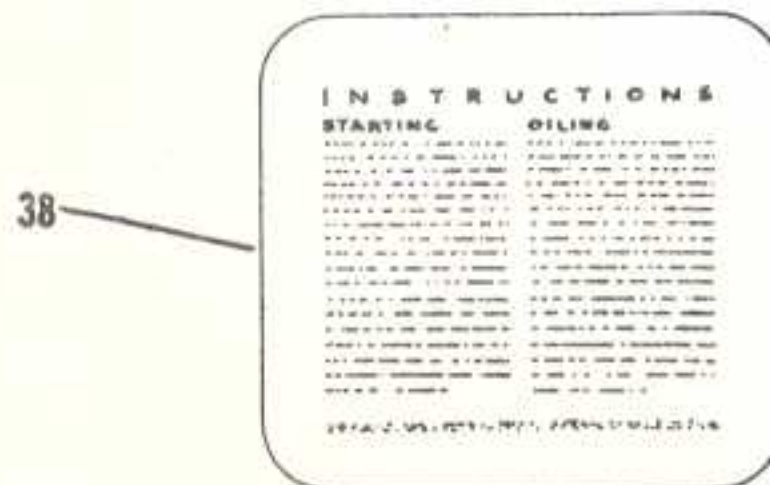
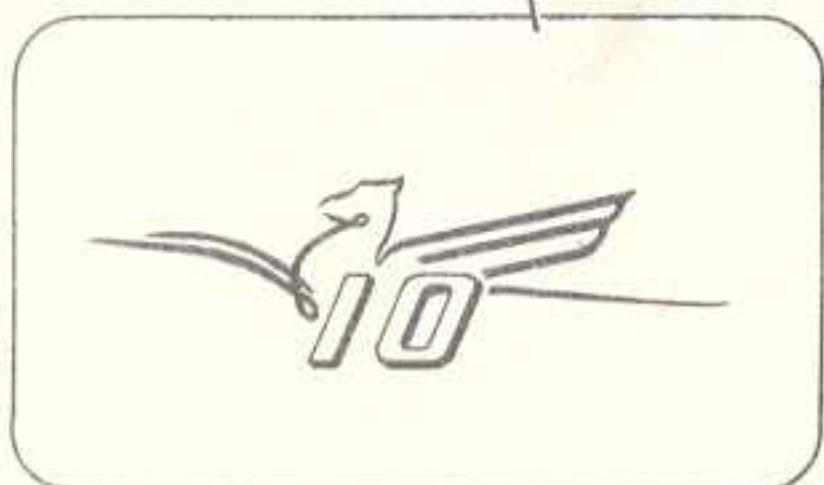
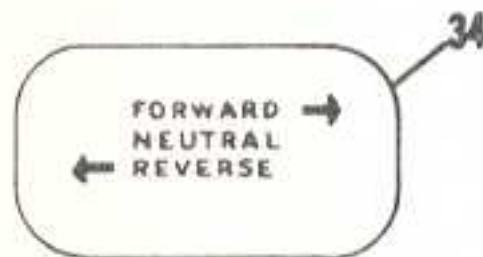
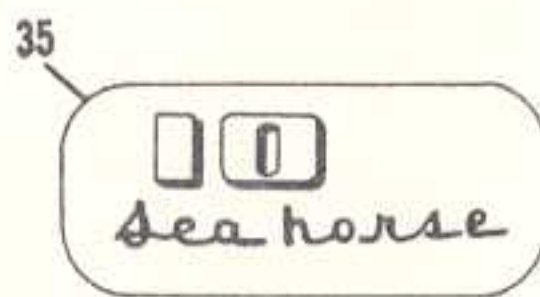
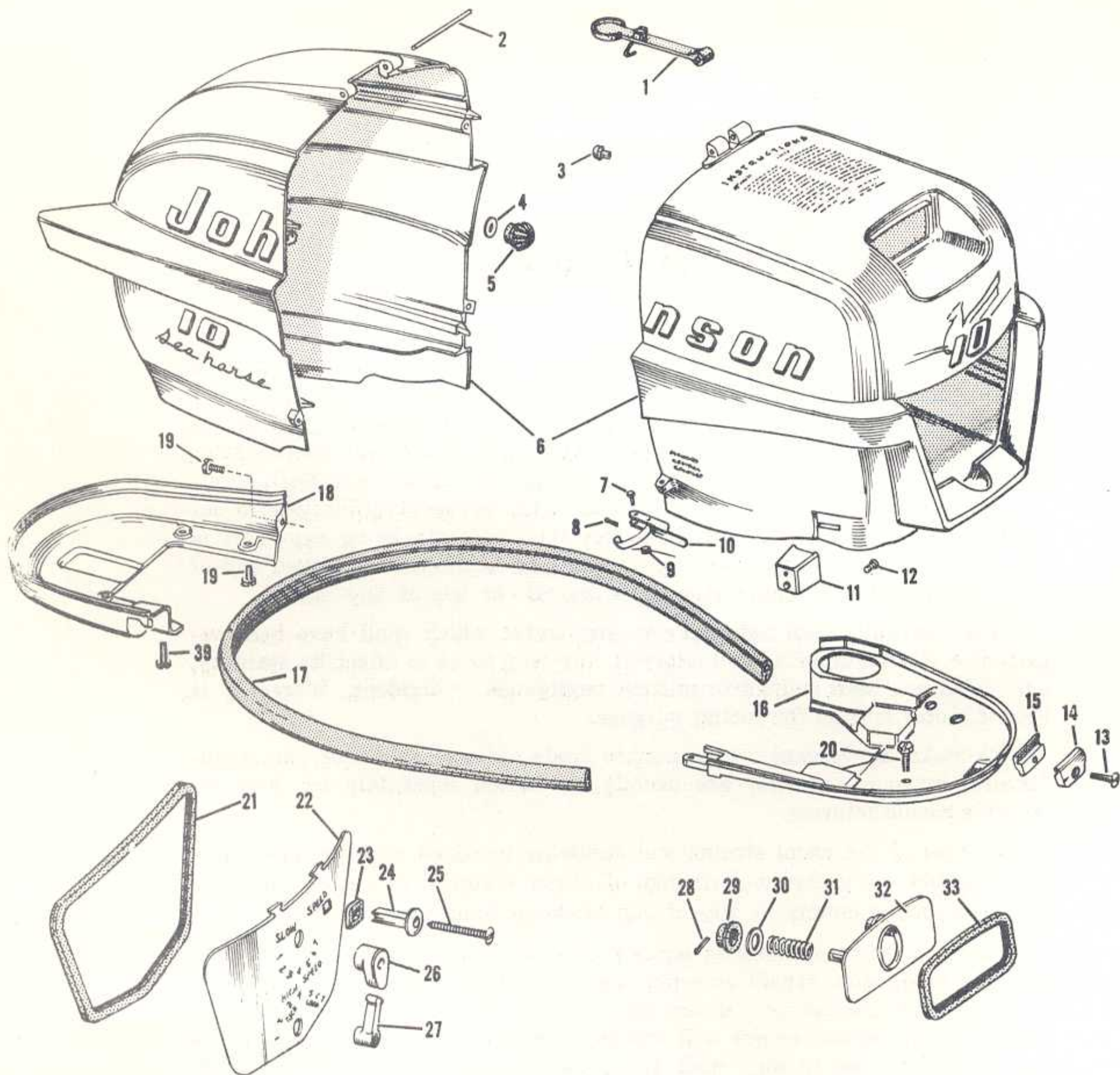
This warranty shall not apply to any motor which shall have been repaired or altered outside the factory in any way so as to affect its stability, nor which has been subject to misuse, negligence or accident. Warranty is void if motor is used for racing purpose.

We make no warranty in respect to trade accessories not of our manufacture; inasmuch as they are usually warranted separately by their respective manufacturers.

Because of the usual strains and accidents to which such products may be subjected, we make no warranty of either material or workmanship in racing outboard motors or any of our products when used for racing.

Claims must be entered on motors or motor parts returned to the factory for inspection, repair or replacement. Request form No. SE-16 from local Johnson Dealer or Service Station. This form should be filled in, signed by the motor owner and dealer or service station representatives and mailed to the factory with returned material, **TRANSPORTATION CHARGES PREPAID.**

# SHROUD GROUP

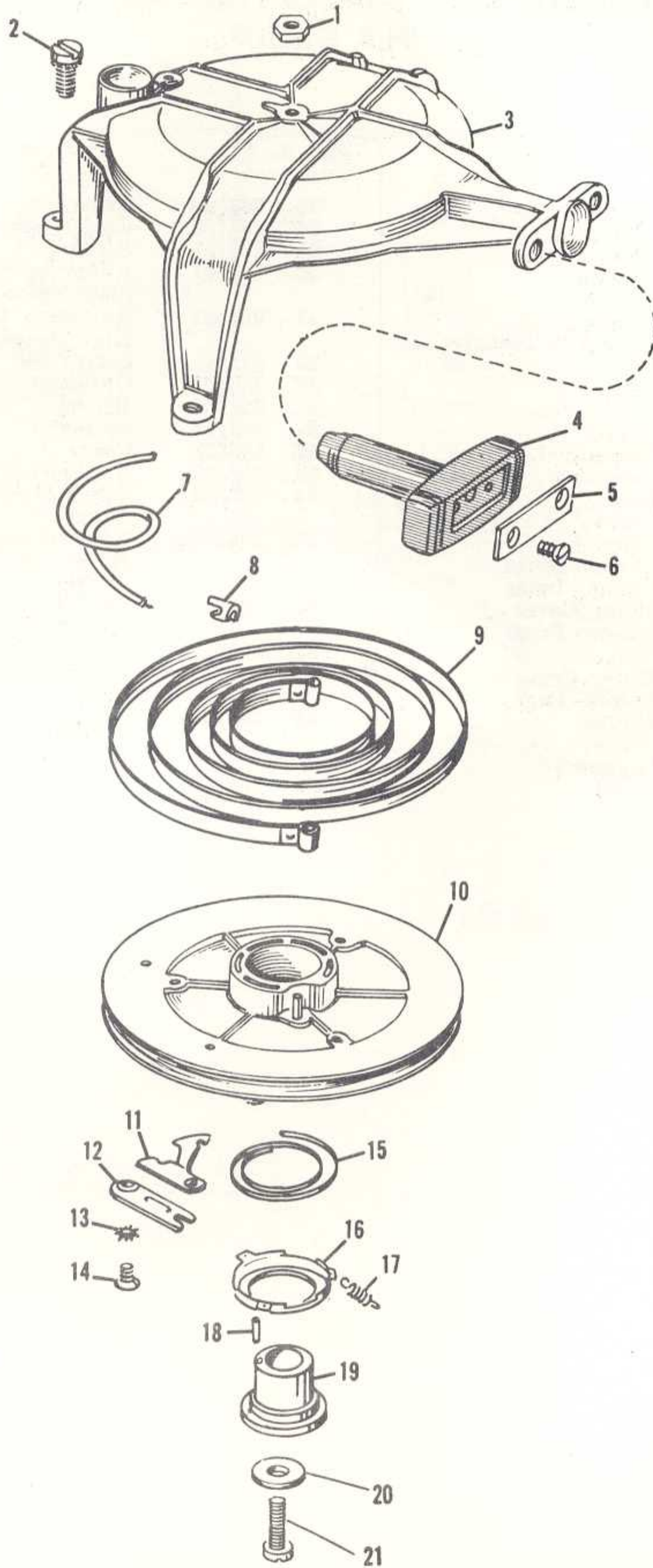


**PHOTO AND PART NUMBERS FOR SHROUDS  
& TRANSFER GROUP**

Photo No.	Part No.	Name of Part	Photo No.	Part No.	Name of Part
1	376432	Clip & Strap Assembly	23	303796	Grommet
2	303536	Hinge Pin	24	303718	Choke Knob
3	203290	Bumper	25	302761	Screw
4	303565	Washer	26	303847	Adjusting Lever - Slow Speed
5	303564	Bumper	27	303521	Adjusting Lever - High Speed
6	376403	Shroud & Transfer Assy.	28	41-163	Cotter Pin
7	303522	Pin	29	303535	Grommet
8	303590	Cotter Pin	30	202065	Washer
9	303519	Spring	31	303518	Spring
10	376129	Clamp & Lever Assembly	32	303528	Cover
11	303538	Boss	33	303529	Grommet
12	19-189	Screw	34	303824	Transfer - Gear Shift
13	304022	Screw	35	303826	Transfer - Sea Horse - 10 - Port & Star
14	304021	Clamp - Outer	36	304073	Transfer - Johnson - Port & Star
15	304020	Clamp - Inner	37	303827	Transfer - Sea Horse - 10 - Front
16	304004	Motor Cover - Lower - Front	38	303825	Transfer - Starting & Oiling Instruc- tions
17	304014	Seal	39	304013	Screw
18	304005	Motor Cover - Lower - Rear			
19	304012	Screw			
20	304015	Screw			
21	303537	Grommet			
22	303534	Panel			

Order All Parts from Nearest Service Station or Dealer

# STARTER GROUP



## PHOTO AND PART NUMBERS FOR STARTER GROUP

Photo No.	Part No.	Name of Part	Photo No.	Part No.	Name of Part
1	302103	Nut	11	202470	Starter Pawl
2	303288	Screw	12	202317	Retainer
3	376339	Starter Housing & Pin Assembly (376251 Starter Assembly Complete)	13	71-1026	Lockwasher
4	376132	Handle	14	302104	Screw
5	303516	Clamp Plate	15	302222	Friction Spring
6	41-205	Screw	16	202114	Equalizer Cup
7	*304096	Starter Rope	17	202155	Spring
8	41-314	Anchor	18	202156	Pin
9	41-197	Starter Spring	19	276643	Spindle & Pin Assembly
10	*376376	Starter Pulley Assembly	20	202356	Washer
			21	51-223	Screw

\*Model QD and QDL-16 Motors built prior to Serial No. 1225643 order like part:

Photo No.	Part No.	Name of Part
7	42-137	Starter Rope
10	590646	Starter Pulley Assembly

Order All Parts from Nearest Service Station or Dealer

# MAGNETO GROUP

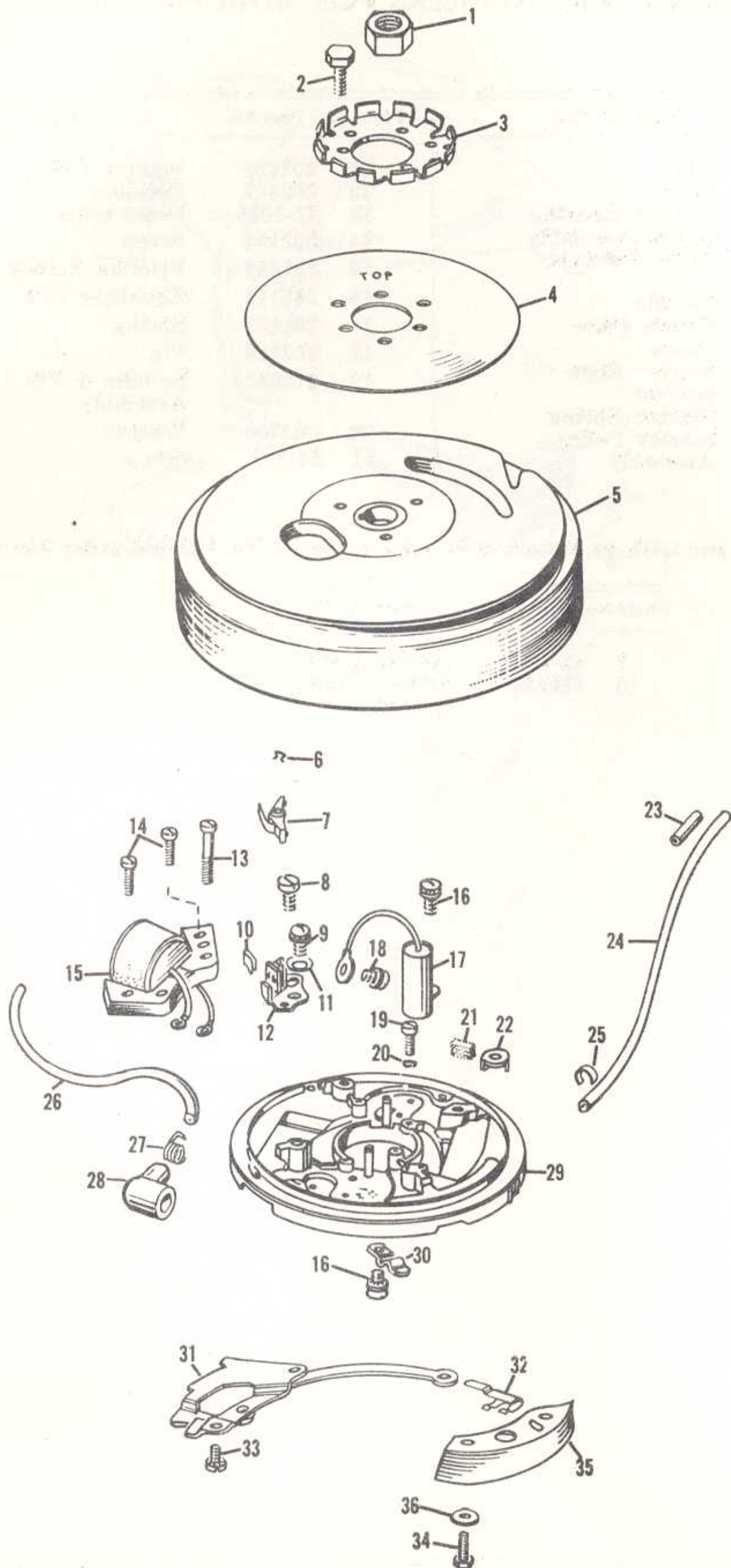


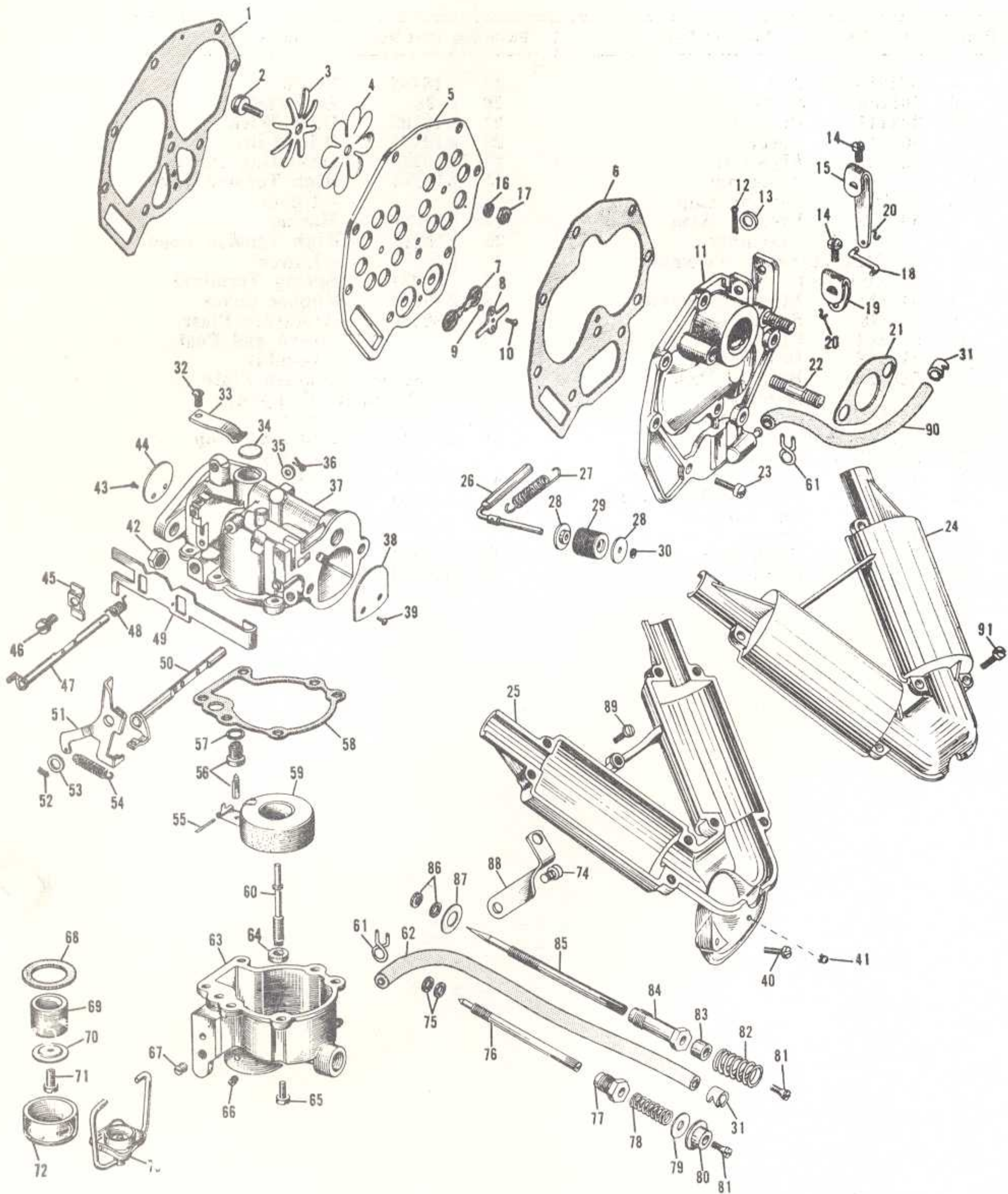


PHOTO AND PART NUMBERS FOR MAGNETO GROUP

Photo No.	Part No.	Name of Part	Photo No.	Part No.	Name of Part
1	301988	Nut	19	510192	Screw
2	303289	Screw	20	3-28	Lockwasher
3	202111	Ratchet	21	510189	Oiler Wick
4	303249	Cover	22	510188	Oiler Clip
5	580155	Flywheel Assembly	23	510233	Insulating Sleeve
6	71-1052	Spring Clip	24	510234	High Tension Lead - Upper
7	580123	Breaker Arm Assembly (580148 Breaker Assembly Complete)	25	71-1239	Marker
8	510185	Eccentric Screw	26	510235	High Tension Lead - Lower
9	15-249	Screw	27	510231	Spring Terminal
10	510204	Clip	28	510232	Rubber Cover
11	510208	Bow Washer	29	580168	Armature Plate, Sleeve and Post Assembly (580153 Armature Plate Assembly Complete)
12	580122	Breaker Base Assembly (580148 Breaker Assembly Complete)	30	510218	Clamp
13	510191	Screw	31	376313	Link and Stop Assembly
14	510195	Screw	32	303146	Spring Clip
15	580118	Coil and Lamination Assembly	33	510193	Screw
16	510193	Screw	34	302750	Screw
17	510173	Condenser	35	203277	Cam
18	510194	Screw	36	300154	Washer

Order All Parts from Nearest Service Station or Dealer

# CARBURETOR AND LEAF VALVE GROUP



## PHOTO AND PART NUMBERS FOR CARBURETOR AND LEAF VALVE GROUP

Photo No.	Part No.	Name of Part	Photo No.	Part No.	Name of Part
1	303484	Gasket	47	376153	Throttle Shaft and Lever Assembly
2	301858	Screw	48	303765	Spring
3	302047	Leaf Stop	49	303143	Choke Rod
4	301965	Leaf	50	375993	Choke Shaft and Lever Assembly
5	303483	Leaf Plate	51	303144	Bellcrank
6	303486	Gasket	52	41-163	Cotter Pin
	(376260 Leaf Plate Assembly)		53	85-54	Washer
7	302042	Check Valve	54	302747	Spring
8	302048	Spring	55	300096	Hinge Pin
9	302046	Spacer	56	375985	Float Valve and Seat Assembly
10	19-191	Screw	57	301996	Gasket
11	376114	Manifold, Nipple and Stud Assembly	58	302994	Gasket
12	41-163	Cotter Pin	59	375919	Float and Arm Assembly
13	303048	Washer	60	303618	Nozzle
14	302346	Screw	61	302647	Clamp
15	303540	Arm	62	203286	Hose
16	71-1487	Lockwasher	63	376404	Float Chamber & Nipple Assembly
17	85-64	Nut	64	302984	Gasket
18	303539	Link	65	71-1589	Screw
19	303491	Arm	66	303041	Screw
20	41-110	Pin	67	303125	Screw Plug
21	303531	Gasket	68	303122	Gasket
22	302822	Stud	69	303133	Filter Element
23	43-110	Screw	70	303134	Retainer
24	203352	Air Silencer - Upper Half	71	132509	Screw
25	203353	Air Silence - Lower Half	72	303121	Filter Bowl
26	303541	Cam Follower	73	376231	Filter Yoke Assembly
27	203276	Spring	74	43-147	Screw
28	303279	Bushing	75	43-123	Packing
29	203362	Roller	76	303159	Needle Valve - High Speed
30	203363	Retainer	77	300179	Nut
31	301822	Clamp	78	303518	Spring
32	302430	Screw	79	202065	Washer
33	303132	Spring	80	303535	Grommet
34	202310	Expansion Plug	81	551517	Screw
35	303048	Washer	82	303548	Spring
36	303049	Cotter Pin	83	303532	Sleeve
37	376253	Carb. Body, Bell- crank Shaft and Plug Assembly	84	303291	Nut
	(376120 Carburetor Assembly Complete)		85	303758	Needle Valve - Slow Speed
38	303126	Choke Valve	86	43-123	Packing
39	303760	Screw	87	203355	Washer
40	132346	Screw	88	303544	Bracket
41	203652	Button Plug	89	43-156	Screw
42	7-46	Nut	90	203287	Hose
43	303760	Screw	91	43-259	Screw
44	303495	Throttle Valve			
45	303117	Bracket			
46	131249	Screw			

Order All Parts from Nearest Service Station or Dealer

# POWER HEAD GROUP

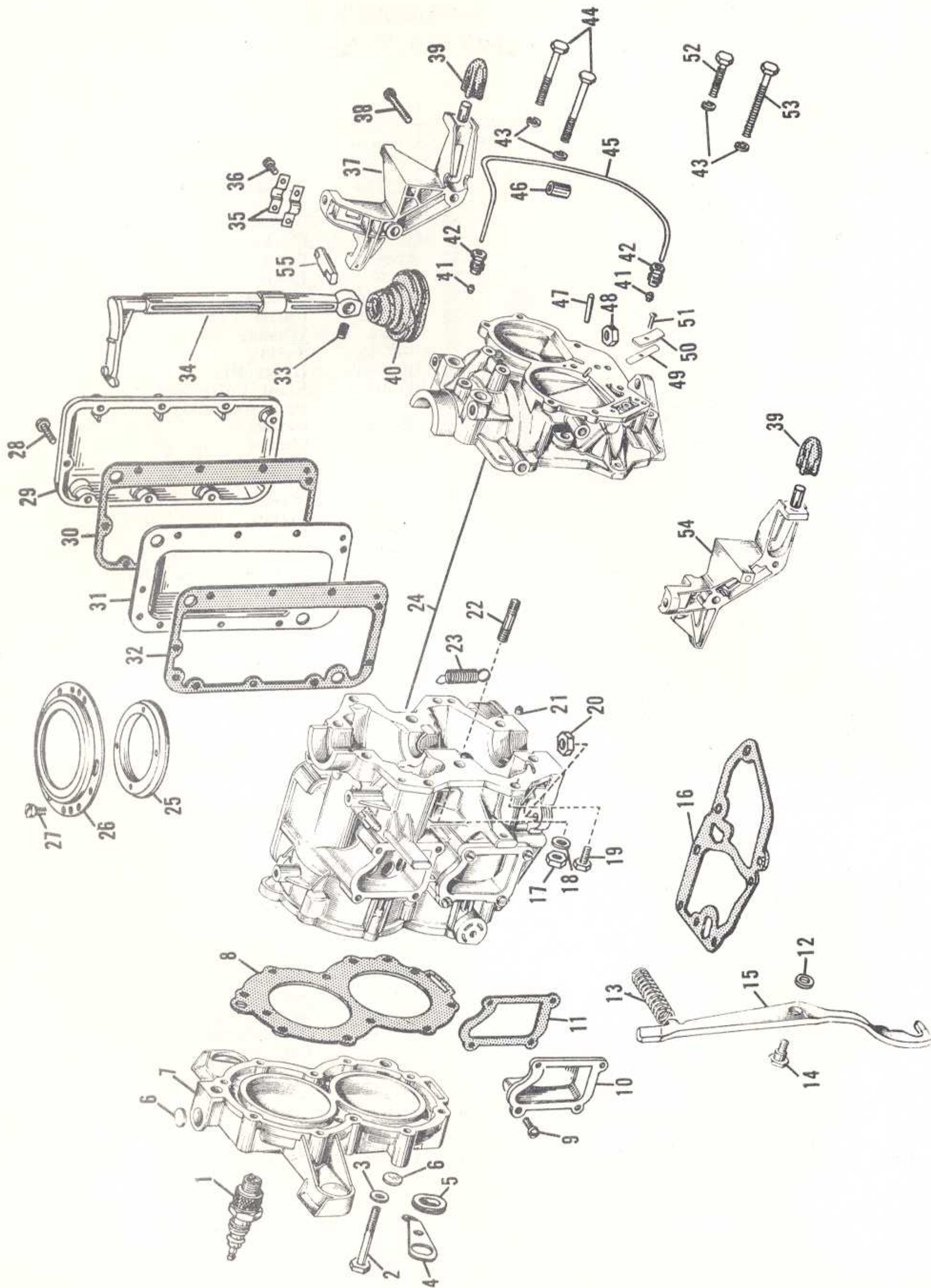


PHOTO AND PART NUMBERS FOR POWER HEAD GROUP

Photo No.	Part No.	Name of Part	Photo No.	Part No.	Name of Part
1	*200322	Spark Plug (Champion J6J)	25	303277	Retaining Ring
1	*376290	Spark Plug (Auto-Lite A3X)	26	303278	Support
2	302009	Screw	27	41-223	Screw
3	300399	Washer	28	132346	Screw
4	300455	Anchor	29	303995	Cover
5	300454	Grommet	30	301853	Gasket
6	19-51	Core Plug - Bottom	31	301849	Cover
6	27-309	Core Plug - Top	32	301854	Gasket
7	376130	Cylinder Head Assembly	33	303236	Spring
8	301862	Gasket	34	**304159	Lever
9	43-259	Screw	35	303109	Bearing Clamp
10	301848	Cover	36	43-156	Screw
11	301847	Gasket	37	303919	Bracket - Port
12	304051	Washer	38	41-178	Screw
13	302587	Spring	39	303922	Bumper
14	302592	Screw	40	304019	Grommet
15	303921	Shifter Lock	41	11-61	Gland
16	303892	Gasket	42	41-105	Packing Nut
17	7-46	Nut	43	37-154	Washer
18	37-154	Washer	44	300355	Screw
19	51-135	Screw	45	376291	Oil Line Assembly
20	7-46	Nut	46	302811	Spacer
21	302037	Dowel	47	300402	Taper Pin
22	21-170	Stud	48	7-46	Nut
23	302827	Spring	49	203235	Leaf Valve
24	376489	Cylinder and Crank- case Assembly	50	203248	Plate
			51	19-191	Screw
			52	21-487	Screw
			53	25-242	Screw
			54	303920	Bracket - Star
			55	304155	Pin

\*We recommend either Champion or Auto-Lite Spark Plugs.

\*\*Model QD and QDL-16 Motors built prior to Serial No. 1227814 order Part No. 376430.

Order All Parts from Nearest Service Station or Dealer

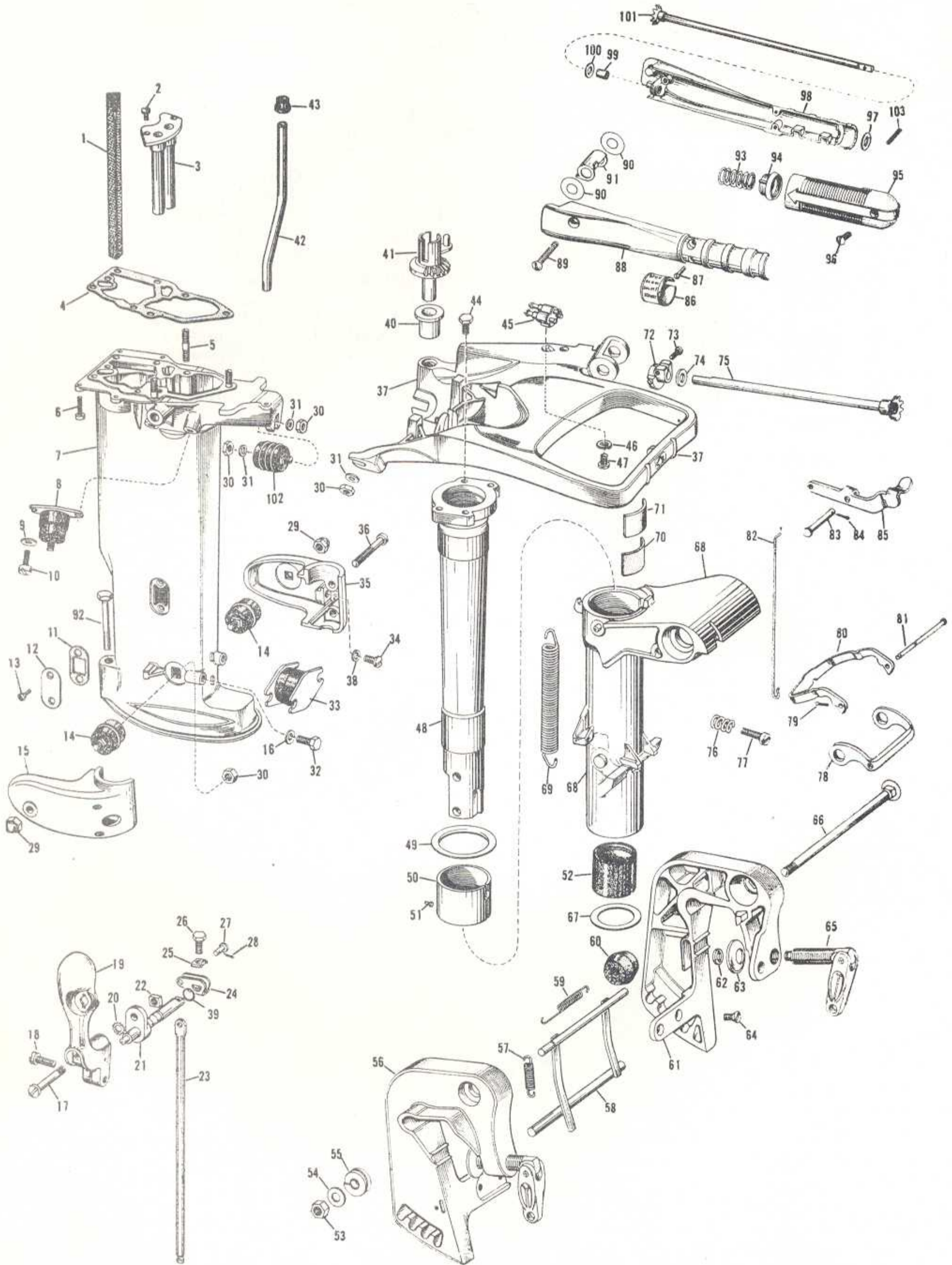


PHOTO AND PART NUMBERS FOR CRANKSHAFT, PISTON  
AND CONNECTING ROD GROUP

Photo No.	Part No.	Name of Part	Photo No.	Part No.	Name of Part
1	510168	Cam	13	376223	Connecting Rod Assembly
2	301857	Retaining Washer	14	27-148	Needle Bearing
3	301861	Spring	15	303712	Lock Ring
4	301860	Retaining Washer	16	303711	Wrist Pin
5	302036	Seal	17	376202	Piston Dowel Pin Assembly
6	301967	O-Ring		(376224	Piston, Connecting Rod - with rings - upper)
7	302035	O-Ring		(376226	Piston, Connecting Rod - with rings - lower).
8	302499	Needle Bearing Assembly	18	301787	Piston Rings
9	120395	Key			
10	376380	Crankshaft			
11	301859	Retaining Ring			
12	202967	Screw			

Orders All Parts from Nearest Service Station or Dealer

# DRIVESHAFT CASING GROUP





Be Sure to Specify Model and Serial Number of Motor When Ordering Parts

## PHOTO AND PART NUMBERS FOR DRIVESHAFT CASING GROUP

Photo No.	Part No.	Name of Part	Photo No.	Part No.	Name of Part
1	304002	Baffle	54	25-196	Washer
2	25-74	Screw	55	302051	Spring
3	376289	Exhaust Loading Tube Assembly	56	376283	Stern Bracket As- sembly - Star
4	303892	Gasket	57	202021	Spring
5	15-149	Stud	58	376312	Tilting Lever Assembly
6	25-238	Screw	59	304095	Spring
7	376406	Exhaust Tube and Stud Assembly	60	301983	Conical Washer
8	303879	Rubber Mount - Upper Side	61	376284	Stern Bracket Assembly - Port
9	303887	Washer	62	302420	Retainer
10	39-176	Screw	63	41-48	Swivel Plate
11	304023	Gasket	64	303396	Screw
12	303862	Cover Plate	65	375742	Clampscrew, Swivel Plate & Retainer Assembly
13	302509	Screw	66	301984	Bolt
14	303880	Rubber Mount	67	303865	Thrust Washer
15	303897	Housing - Star	68	303840	Swivel Bracket
16	303886	Washer	69	303979	Spring
17	39-72	Screw	70	303843	Spacer
18	51-47	Screw	71	303844	Plate
19	376308	Shift Lever & Pin Assembly	72	303142	Pinion
20	303480	Lockwasher	73	71-1352	Screw
21	376307	Adjusting Lever & Shift Shaft Assy.	74	303107	Washer
22	303189	Nut	75	376306	Gear & Shaft Assembly - Short
23	303861	Shift Rod - Upper	76	551113	Spring
24	303720	Lever	77	132679	Screw
25	303721	Clip	78	303950	Link
26	303722	Screw	79	15-268	Cotter Pin
27	302504	Pin	80	303948	Locking Lever
28	301912	Cotter Pin	81	303949	Rod
29	303890	Acorn Nut	82	303978	Link
30	303889	Nut	83	303930	Pivot Shaft
31	303884	Washer	84	303049	Cotter Pin
32	303888	Screw	85	303980	Arm
33	303881	Rubber Mount	86	303110	Plate
34	303883	Screw	87	133452	Screw
35	303896	Housing - Port	88	303093	Steering Handle - Inner Half
36	303898	Screw	89	303078	Screw
37	376297	Steering Bracket & Bushing Assy.	90	303079	Washer
38	303886	Washer	91	303096	Cover
39	303191	O-Ring	92	302871	Screw
40	303854	Bushing	93	301656	Spring
41	*304157	Gear	94	303282	Friction Block
42	303917	Water Tube	95	303213	Grip
43	302497	Grommet	96	302710	Screw
44	21-171	Screw	97	303252	Washer
45	375788	Fuel Connector Assembly	98	376042	Steering Handle & Bushing Assembly
46	51-137	Lockwasher	99	302717	Bushing
47	21-359	Screw	100	302712	Washer
48	303853	Pilot Shaft	101	376416	Gear and Shaft Assembly - Long
49	303842	Thrust Washer	102	303878	Rubber Mount - Upper - Front
50	303846	Upper Liner	103	300346	Groove Pin
51	303696	Pin			
52	303841	Shock Absorber			
53	17-182	Nut			

\*Model QD and QDL-16 Motors built prior to Serial No. 1227814 order Part No. 376430.

### MODEL QDL-16 PARTS THAT DIFFER FROM MODEL QD-16

Photo No.	Part No.	Name of Part	Photo No.	Part No.	Name of Part
42	304037	Water Tube (QDL)	102	304153	Rubber Mount - upper front (QDL)
92	304135	Screw (QDL)			

See page 19 for additional Model QDL-16 parts.

Orders All Parts from Nearest Service Station or Dealer



PHOTO AND PART NUMBERS FOR GEARCASE ASSEMBLY

Photo No.	Part No.	Name of Part	Photo No.	Part No.	Name of Part
1	302497	Grommet	24	301883	Retaining Ring
2	303067	O-Ring	25	302496	Bearing
3	302508	Screw	26	301884	Thrust Washer
4	303070	Impeller Housing	27	302483	Propeller Shaft
5	375638	Impeller Assembly	28	375755	Shifter Lever and Pin Assembly
6	303069	Plate	29	15-268	Cotter Pin
7	303860	Driveshaft	30	302504	Pin
8	300771	Pin	31	302501	Pivot Pin
9	301878	Bushing	32	375711	Shifter Assembly
10	301877	O-Ring	33	375751	Gearcase Head and Bearing Assembly
11	41-62	Seal	34	302493	O-Ring
12	376402	Gearcase and Bearing Assembly	35	302495	Seal
13	302510	Screw	36	301923	Drive Pin
14	302505	Cover	37	375605	Propeller and Bushing Assembly
15	302509	Screw	38	132477	Nut
16	302757	Screen	39	302381	Cotter Pin
17	300314	Plug	40	303098	Shift Rod - Lower
18	27-283	Screw	41	303794	Connector
19	27-284	Washer	42	304024	Screw
20	302513	Seal	43	302500	Cradle
21	300611	Dowel	44	301551	Lockwasher
22	33-76	Screw			
23	375844	Pinion, Gears and Bushing Assembly			

MODEL QDL-16 PARTS THAT DIFFER FROM MODEL QD-16

7	304036	Driveshaft (QDL)	40	303257	Shift Rod (QDL)
13	302510	Screw (QDL)	45	304136	Gearcase Extension (QDL)

See page 17 for additional Model QDL-16 parts.

Orders All Parts from Nearest Service Station or Dealer

# MILE MASTER FUEL TANK ASSEMBLY

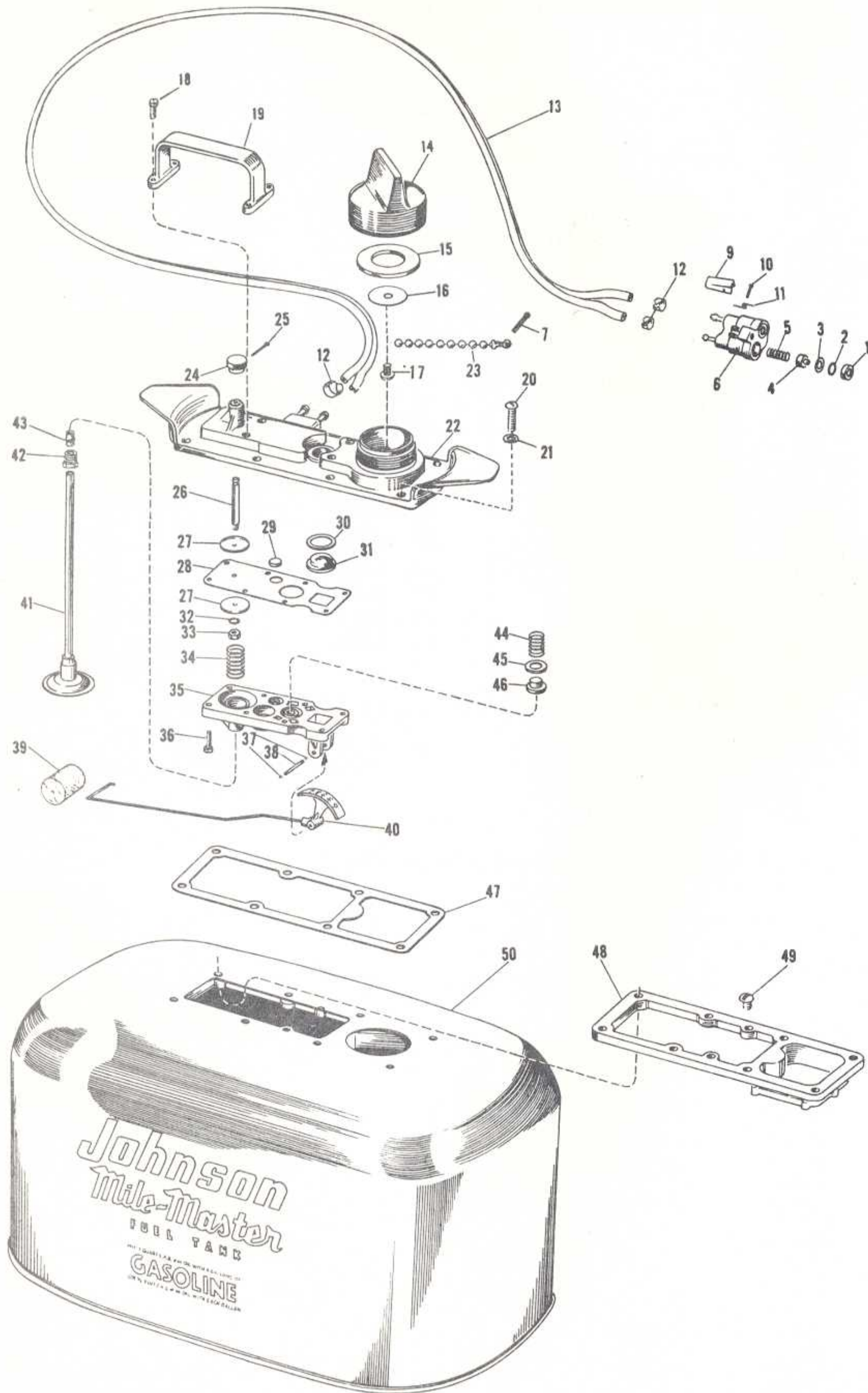


PHOTO AND PART NUMBERS FOR  
MILE MASTER FUEL TANK ASSEMBLY

Photo No.	Part No.	Name of Part	Photo No.	Part No.	Name of Part
1	301828	Retainer	27	301800	Support
2	301824	O-Ring	28	302563	Diaphragm
3	301827	Washer	29	301802	Disc Valve
4	301826	Valve	30	302571	Seal
5	301825	Spring	31	302568	Glass
6	375587	Fuel Connector Assembly	32	301736	Lockwasher
7	15-213	Cotter Pin	33	21-195	Nut
9	301830	Lock	34	301803	Spring
10	301832	Rivet	35	302555	Housing
11	301829	Spring	36	13-558	Screw
12	301822	Hose Clamp	37	302654	Snap Ring
13	301821	Hose	38	302653	Pin
14	375817	Filler Cap As- sembly	39	302559	Float
15	301835	Gasket	40	375778	Indicator Assembly
16	302560	Plate	41	375846	Foot Valve As- sembly
17	301837	Screw	42	132691	Nut
18	13-558	Screw	43	13-304	Gland
19	302570	Handle	44	302135	Spring
20	304137	Screw	45	302137	Washer
21	301814	Gasket	46	302136	Valve
22	376276	Housing	47	302557	Gasket
23	301838	Chain	48	302556	Support
24	301815	Push Button	49	53-85	Screw
25	17-186	Cotter Pin	50	375774	Fuel Tank (Only)
26	302561	Push Rod		(375777 Fuel Tank Assembly Complete)	

Order All Parts from Nearest Service Station or Dealer

COPIES OF THE

Models QD-10 and QD-15



COPIES OF THE

Models QD-10 and QD-15



