

Johnson motors

**parts
catalog**

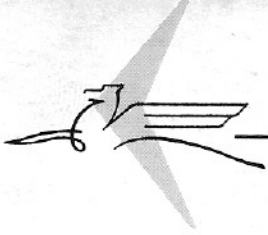


MODELS

QD-QDL-17, 17B & 17R

10 hp

W A U K E G A N , I L L I N O I S



J O H N S O N M O T O R S

NOTE

PARTS THAT DIFFER IN MODELS QD-17, QD-17B &
QD-17R MOTORS, ARE IDENTIFIED BY MODEL NUMBERS

WARRANTY

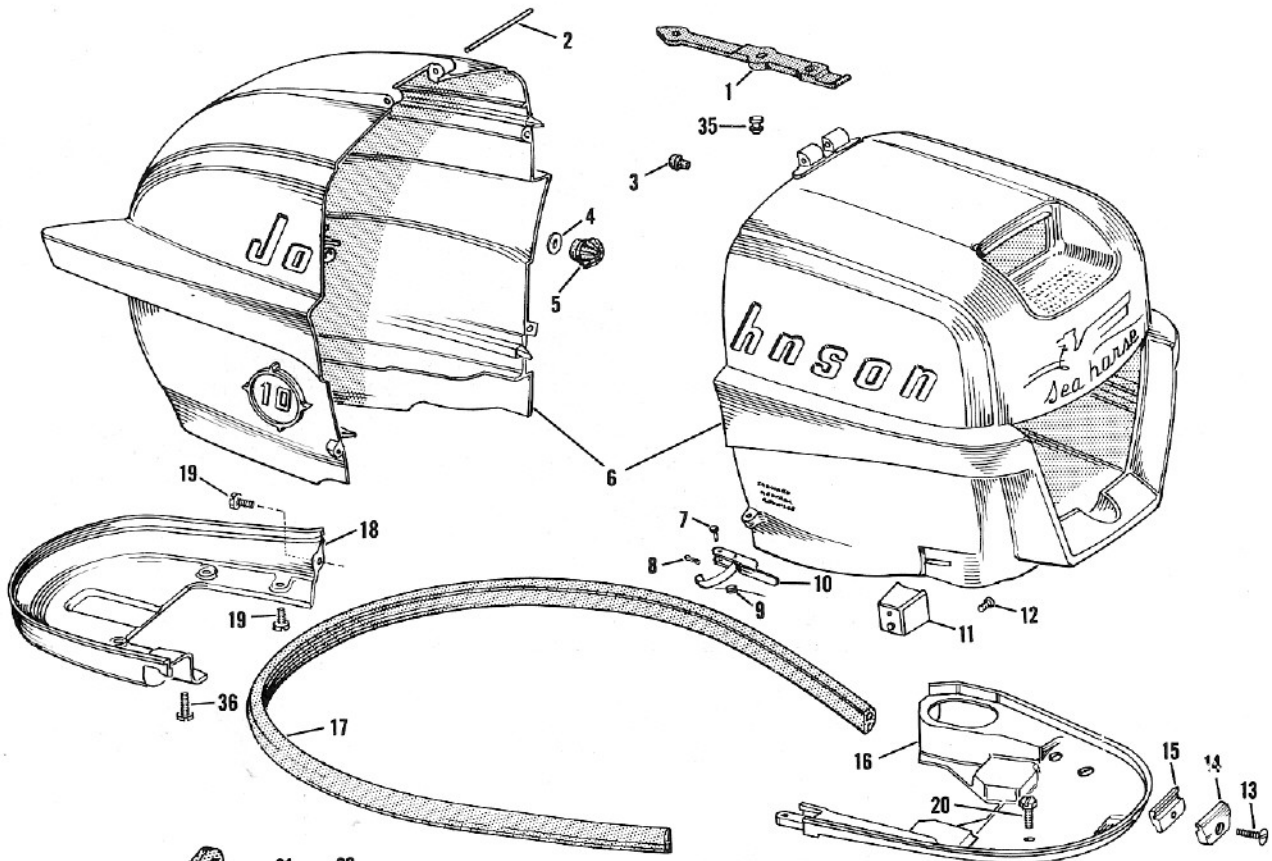
We warrant each new outboard motor of our manufacture to be free from defects in material and workmanship under normal use and service, our obligation under this warranty being limited to making good at the factory any part or parts thereof which shall, within three months after initial use, or within one year from date of original purchase, whichever first occurs, be returned to us with transportation charges prepaid, and which our examination shall disclose to our satisfaction to have been thus defective; this warranty being expressly in lieu of all other warranties and representations expressed or implied and of all other liabilities in connection with the sale or use of any motors.

This warranty shall not apply to any motor which shall have been repaired or altered outside the factory in any way so as to affect its stability, nor which has been subject to misuse, negligence or accident, or operated for racing purposes or operated in any other way than in accordance with our operating instructions.

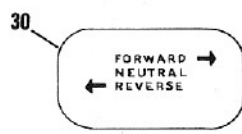
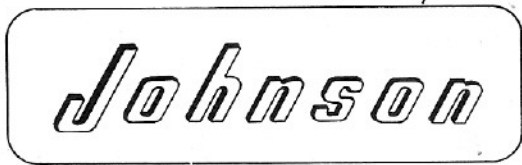
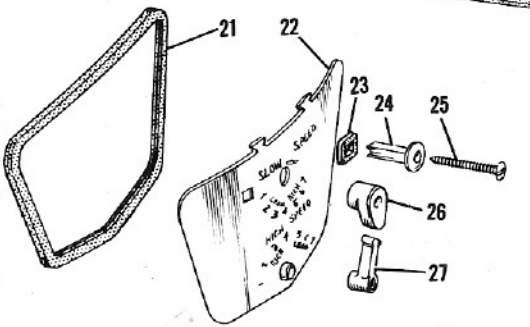
We make no warranty in respect to trade accessories not of our manufacture, inasmuch as they are usually warranted separately by their respective manufacturers.

Because of the unusual strains and accidents to which such products may be subjected, we make no warranty of either material or workmanship in racing outboard motors or any of our products when used for racing.

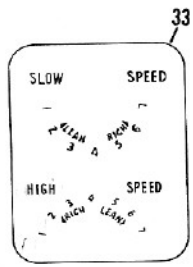
Claims must be entered on motors or motor parts returned to the factory for inspection, repair or replacement. Request form No. SE-16 from local Johnson Dealer or Service Station. **This form should be filled in, signed by the motor owner and dealer or service station representatives and mailed to the factory with returned material. TRANSPORTATION CHARGES PREPAID.**



SHROUDS AND TRANSFER GROUP



TO START
 1 Shift to Neutral 2 Connect fuel line
 3 Pump fuel pump until resistance is felt
 4 Set speed control at Start of fuel
 5 Pull choke out and start
 (Instructions for other models omitted)



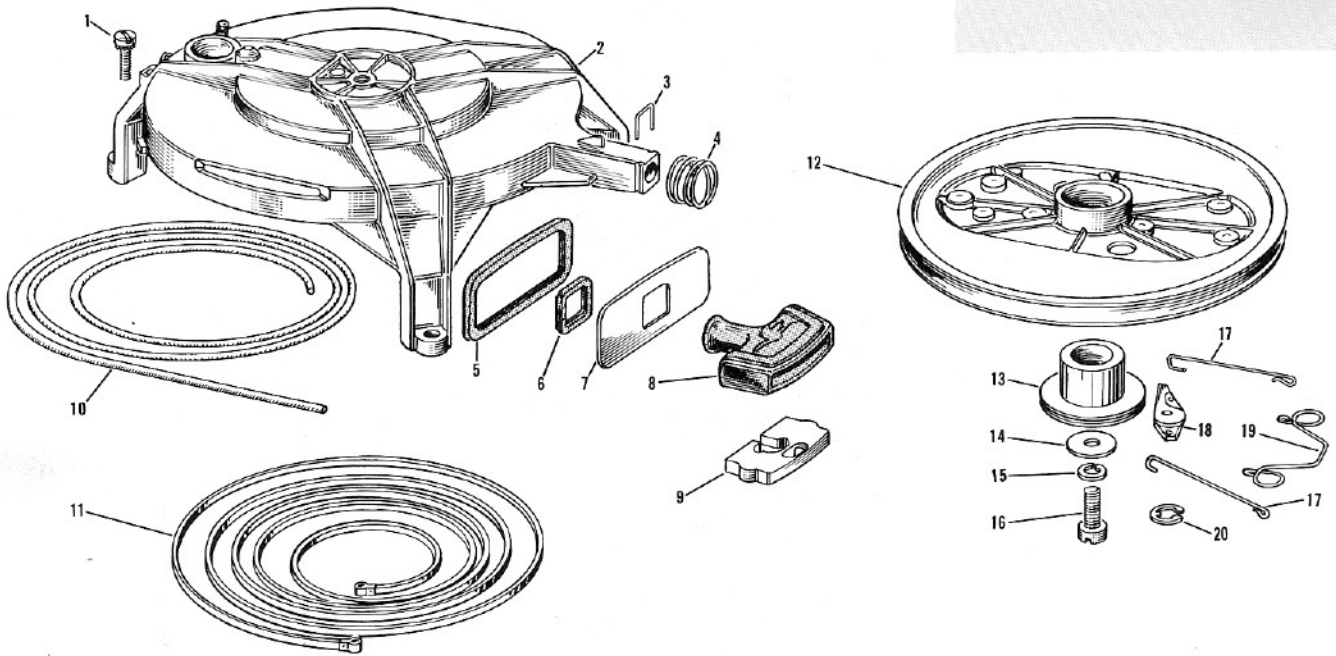
BE SURE TO SPECIFY MODEL AND SERIAL NUMBER
OF MOTOR WHEN ORDERING PARTS

PHOTO NO.	PART NO.	NAME OF PART	QTY. PER MOTOR
1	376627	Strap & Pin Assembly	1
2	303536	Hinge Pin	1
3	203290	Bumper	2
4	303565	Washer	2
5	304461	Bumper	2
6	376641	Shroud & Transfer & Bumper Assembly	1
7	303522	Pin	2
8	303590	Cotter Pin	2
9	303519	Spring	2
10	376129	Clamp & Lever Assembly	2
11	304665	Boss	1
12	19-189	Screw	1
13	304022	Screw	1
14	304021	Clamp - Outer	1
15	304020	Clamp - Inner	1
16	304004	Motor Cover - Lower - Front	1
17	304014	Seal	1
18	304005	Motor Cover - Lower - Rear	1
19	304012	Screw	4
20	304015	Screw	1
21	303537	Grommet	1
22	376516	Control Panel & Transfer Assembly	1
23	303796	Grommet	1
24	303718	Choke Knob	1
25	302761	Screw	1
26	303847	Adjusting Lever - Slow Speed	1
27	304360	Adjusting Lever - High Speed	1
28	304335	Transfer-Johnson - Port & Star	2
29	304384	Medalion "10"	2
30	304349	Transfer - Gear Shift	1
31	304339	Transfer - Sea Horse - Front	1
32	304371	Transfer - Starting Inst.	1
33	304309	Transfer - Control Panel	1
34	304387	Speed Nut - Medalion	4
35	304485	Pin - Strap	1
36	304013	Screw - Motor Cover	1

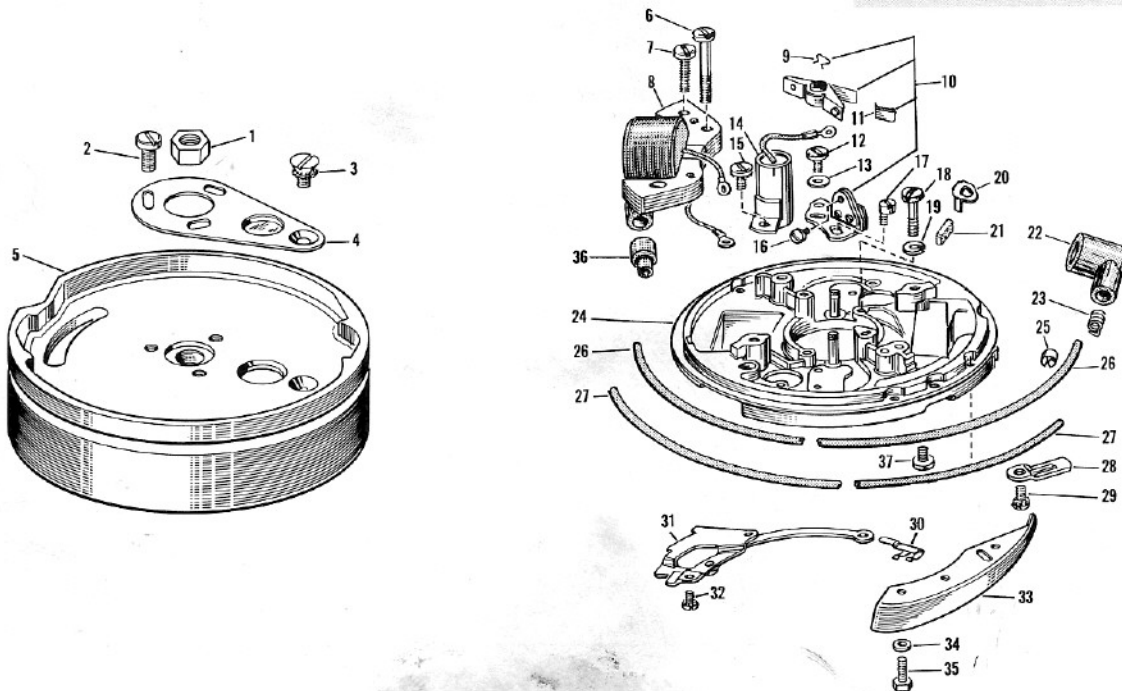
ORDER ALL PARTS FROM YOUR JOHNSON SEA-HORSE DEALER



STARTER GROUP



MAGNETO GROUP



BE SURE TO SPECIFY MODEL AND SERIAL NUMBER
OF MOTOR WHEN ORDERING PARTS

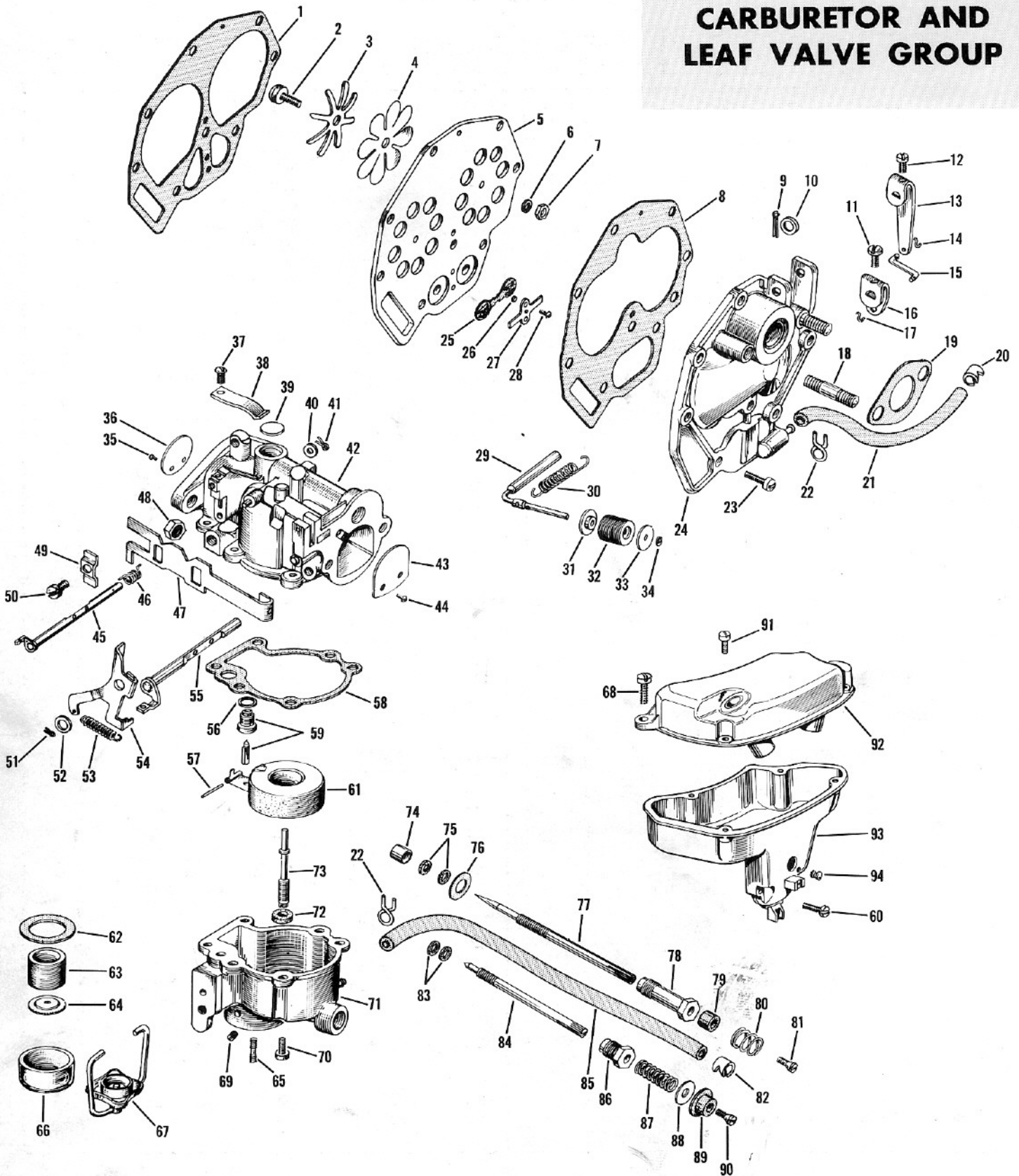
QD-QDL-17, 17B & 17R

PHOTO NO.	PART NO.	NAME OF PART	QTY. PER MOTOR
1	303288	Screw	3
2	376665	Starter Housing & Pin Assembly	1
	(376667	Starter Assy Complete)	1
3	304237	Spring Clip-Starter Housing	1
4	304235	Spring-Cover to Starter Housing	1
5	303529	Grommet	1
6	304236	Grommet	1
7	304238	Cover	1
8	304324	Handle - Starter (Model QD-17)	1
	304502	Handle - Starter (Model QD-17B & 17R)	1
9	304325	Anchor - Rope to Handle	1
10	203822	Rope - Starter	1
11	41-197	Starter Spring	1
12	376666	Starter Pulley & Pin Assembly	1
13	203699	Spindle - Starter	1
14	202356	Washer	1
15	13-51	Lock Washer - Starter Retaining Screw	1
16	13-588	Screw - Starter Retainer	1
17	203725	Link - Friction Spring to Pawl	2
18	203698	Pawl - Starter	1
19	203697	Friction Spring	1
20	203470	Retaining Ring - Starter Pawl	1

PHOTO NO.	PART NO.	NAME OF PART	QTY. PER MOTOR
1	301988	Nut - Crankshaft	1
2	203751	Screw	3
3	510293	Screw - Sems	1
4	510292	Cover	1
5	580215	Flywheel & Cover Assembly	1
6	510191	Screw	2
7	510195	Screw	4
8	580118	Coil & Lamination Assembly	2
9	71-1052	Clip	2
10	580148	Breaker Assembly	2
11	510204	Clip	2
12	510278	Screw	4
13	510208	Bow Washer	2
14	510173	Condenser	2
15	510193	Screw - Sems	3
16	510194	Screw	2
17	510185	Eccentric Screw	2
18	510192	Screw	2
19	3-28	Lockwasher	2
20	510188	Oiler Clip	1
21	510189	Oiler Wick	1
22	510232	Rubber Cover	2
23	510231	Spring Terminal	2
24	580210	Armature Plate, Sleeve & Post Assembly	1
25	72-1239	Marker - High Tension Lead	1
	(580207	Armature Plate Assembly)	1
26	510239	High Tension Lead - Upper	1
27	510210	High Tension Lead - Lower	1
28	510190	Clamp	1
29	510193	Screw - Sems	3
30	303146	Spring Clip	1
31	376313	Link & Stop Assembly	1
32	510193	Screw - Sems	3
33	203277	Cam	1
34	300154	Washer	2
35	304441	Screw	2
36	510289	Grommet	2
37	510278	Screw	4

ORDER ALL PARTS FROM YOUR JOHNSON SEA-HORSE DEALER

**CARBURETOR AND
LEAF VALVE GROUP**



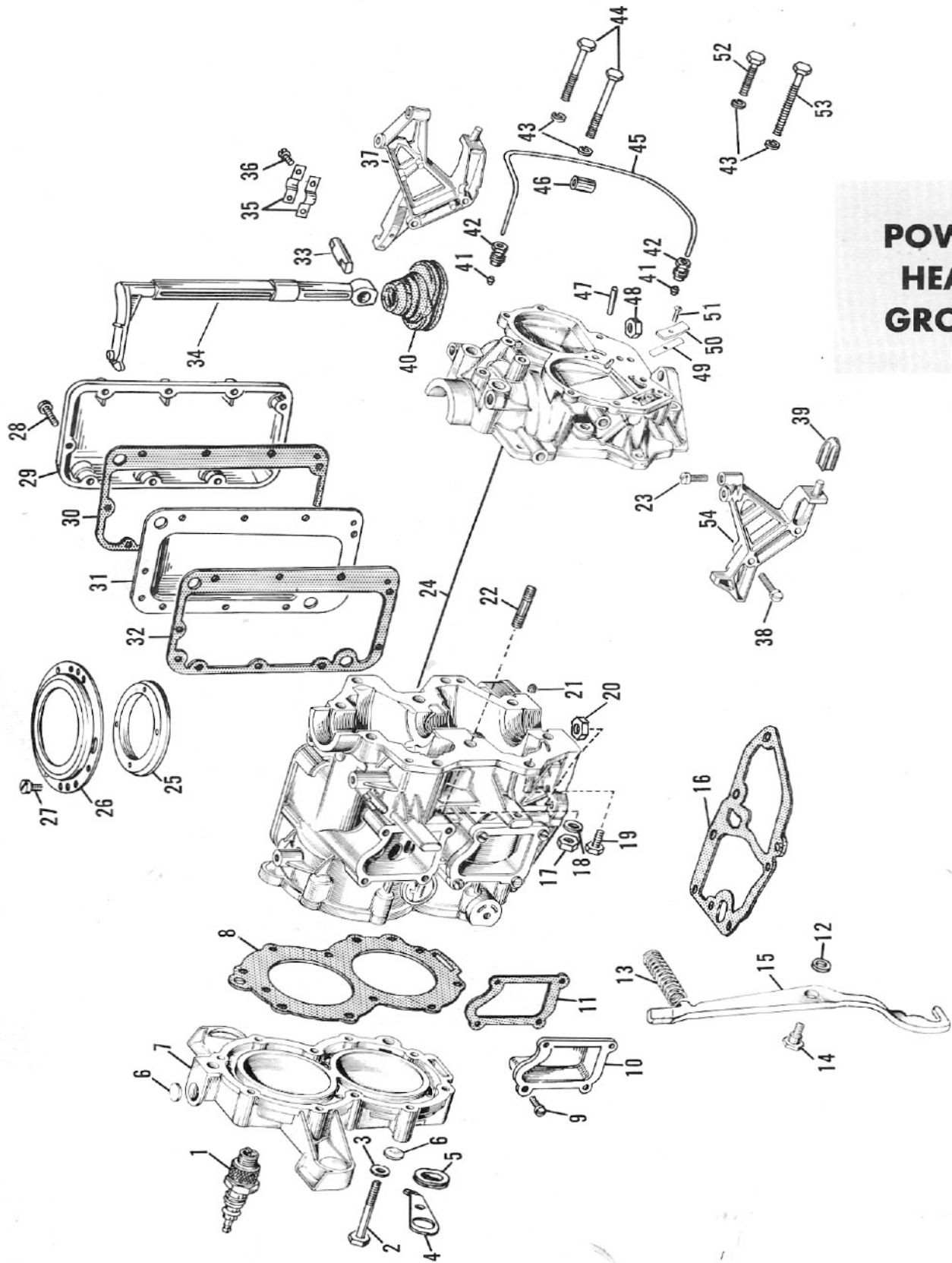
QD-QDL-17, 17B & 17R

BE SURE TO SPECIFY MODEL AND SERIAL NUMBER OF MOTOR WHEN ORDERING PARTS

PHOTO NO.	PART NO.	NAME OF PART	QTY. PER MOTOR
1	303484	Gasket	1
2	301858	Screw	2
3	302047	Leaf Stop	2
4	301965	Leaf	2
5	303483	Leaf Plate	1
	(376260 - Leaf Plate Assy)		1
6	71-1487	Lockwasher	2
7	85-64	Nut	2
8	303486	Gasket	1
9	41-163	Cotter Pin	2
10	303048	Washer	2
11	304572	Screw	2
12	304572	Screw	2
13	376728	Arm and Screw Assy	1
14	41-110	Pin	2
15	303539	Link	1
16	376724	Arm and Screw Assy	1
17	41-110	Pin	2
18	302822	Stud	2
19	303531	Gasket	1
20	301822	Clamp	2
21	203287	Hose-Air	1
22	302647	Clamp	2
23	43-110	Screw	8
24	376114	Manifold, Nipple & Stud Assy	1
25	302042	Check Valve	1
26	302046	Spacer	2
27	302048	Spring	1
28	19-191	Screw	3
29	303541	Cam Follower	1
30	203276	Spring	1
31	303279	Bushing	2
32	203362	Roller	1
33	303279	Bushing	2
34	203363	Retainer	1
35	303760	Screw	4
36	303495	Throttle Valve	1
37	302430	Screw	1
38	303132	Spring	1
39	202310	Expansion Plug	1
40	303048	Washer	2
41	303049	Cotter Pin	2
42	376253	Carb. Body, Bell-crank, Shaft, and Plug Assy	1
	(376684 Carburetor Assy Complete)		1
43	303126	Choke Valve	1
44	303760	Screw	4
45	376153	Throttle Shaft & Lever Assembly	1
46	303765	Spring	1
47	303143	Choke Rod	1
48	7-46	Nut	7

PHOTO NO.	PART NO.	NAME OF PART	QTY. PER MOTOR
49	303117	Bracket	1
50	131249	Screw	1
51	41-163	Cotter Pin	2
52	85-54	Washer	1
53	302747	Spring	1
54	303144	Bellcrank	1
55	375993	Choke Shaft & Lever Assy	1
56	301996	Gasket	1
57	300096	Hinge Pin	1
58	302994	Gasket	1
59	375985	Float Valve & Seat Assy	1
60	13-558	Screw	1
61	375919	Float & Arm Assy	1
62	303122	Gasket	1
63	303133	Filter Element	1
64	304539	Nut	1
65	304518	Stud	1
66	303121	Filter Bowl	1
67	376231	Filter Yoke & Thumb Nut Assembly	1
68	21-167	Screw	2
69	303041	Screw	1
70	71-1589	Screw	5
71	376681	Float Chamber & Nipple Assembly	1
72	302984	Gasket	1
73	303618	Nozzle	1
74	303947	Bushing	1
75	43-123	Packing	4
76	203355	Washer	1
77	303946	Needle Valve - Slow Speed	1
78	303291	Nut	1
79	303532	Sleeve	1
80	304436	Spring	1
81	551517	Screw	2
82	301822	Clamp	2
83	43-123	Packing	4
84	303159	Needle Valve - High Speed	1
85	203286	Hose - Fuel	1
86	300179	Nut	1
87	303518	Spring	1
88	202065	Washer	1
89	303535	Grommet	1
90	551517	Screw	2
91	25-74	Screw	4
92	277437	Upper Air Silencer & Loading Tube Assembly	1
93	203728	Air Silencer - Lower	1
94	203652	Button Plug	1

ORDER ALL PARTS FROM YOUR JOHNSON SEA-HORSE DEALER



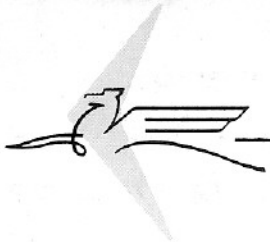
**POWER
HEAD
GROUP**

BE SURE TO SPECIFY MODEL AND SERIAL NUMBER OF MOTOR WHEN ORDERING PARTS

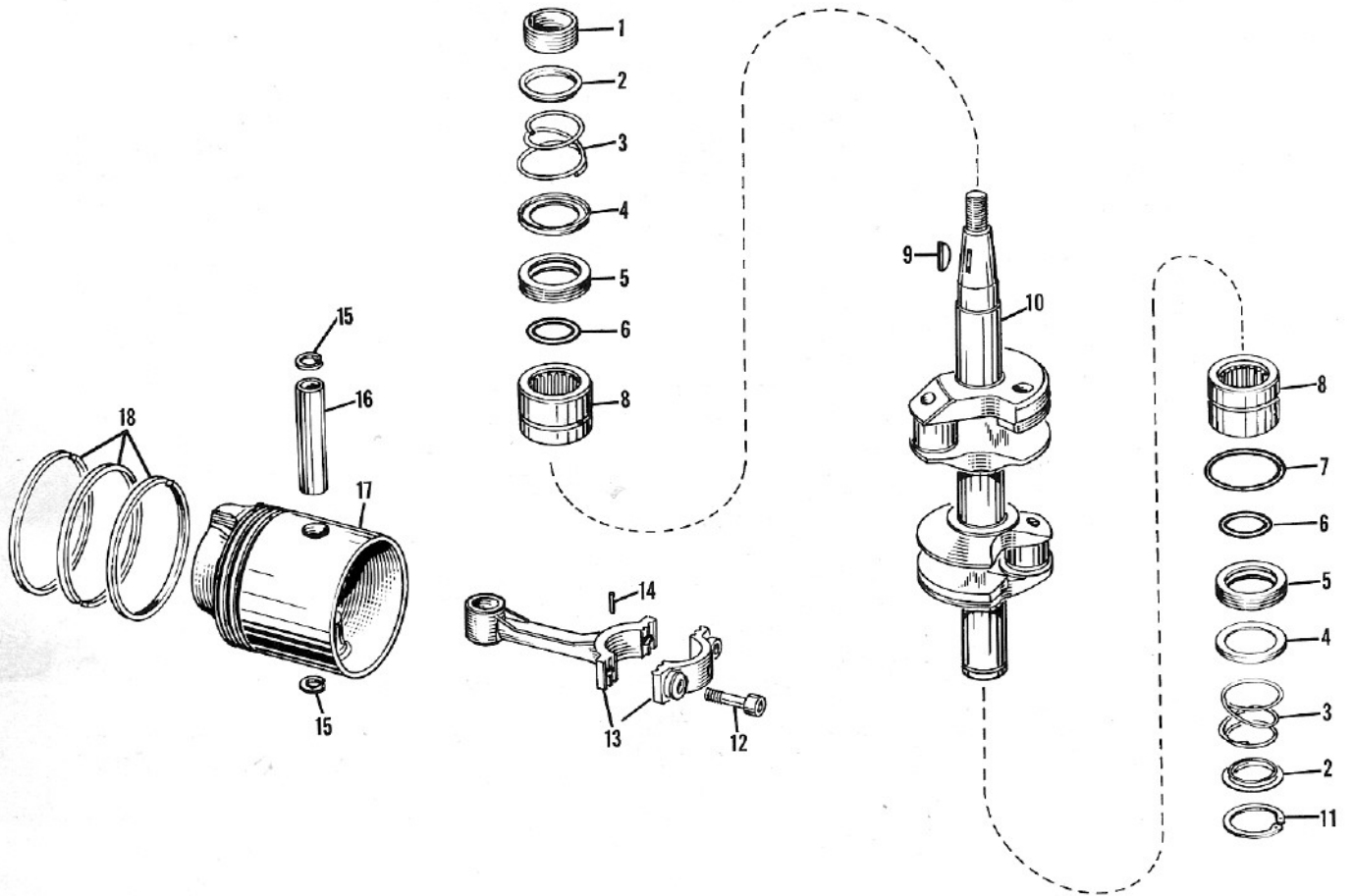
PHOTO NO.	PART NO.	NAME OF PART	QTY. PER MOTOR	PHOTO NO.	PART NO.	NAME OF PART	QTY. PER MOTOR
1	*200322	Spark Plug (Champion J6J)	2	25	303277	Retaining Ring	1
1	*376290	Spark Plug (Auto-lite A3X)	2	26	303278	Support	1
2	302009	Screw	10	27	304442	Screw	4
3	300399	Washer	9	28	132346	Screw	9
4	300455	Anchor	1	29	303995	Cover	1
5	300454	Grommet	1	30	301854	Gasket	2
6	19-51	Core Plug - Bottom	2	31	301849	Cover	1
6	27-309	Core Plug - Top	2	32	301854	Gasket	2
7	376130	Cylinder Head Assembly	1	33	304155	Pin	1
8	301862	Gasket	1	34	304159	Lever	1
9	43-259	Screw	8	35	303109	Bearing Clamp	2
10	301848	Cover	2	36	303737	Screw	2
11	301847	Gasket	2	37	304243	Bracket - Port	1
12	304051	Washer	1	38	41-178	Screw	4
13	302587	Spring	1	39	303922	Bumper	2
14	302592	Screw	1	40	304019	Grommet	1
15	303921	Shifter Lock	1	41	11-61	Gland	2
16	303892	Gasket	1	42	41-105	Packing Nut	2
17	7-46	Nut	7	43	37-154	Washer	6
18	37-154	Washer	6	44	300355	Screw	2
19	51-135	Screw	4	45	376291	Oil Line Assy	1
20	7-46	Nut	7	46	302811	Spacer	1
21	302037	Dowel	2	47	300402	Taper Pin	2
22	21-170	Stud	2	48	7-46	Nut	7
23	303288	Screw	1	49	203235	Leaf Valve	1
24	376489	Cylinder & Crank- case Assembly	1	50	203248	Plate	1
				51	19-191	Screw	3
				52	21-487	Screw	1
				53	25-242	Screw	1
				54	304242	Bracket - Star	1

*We recommend either Champion or Auto-Lite Spark Plugs.

NOTE
Power Head Gasket Set (less Cyl. Head Gasket)
Available Part No. 376452



CRANKSHAFT, PISTON AND CONNECTING ROD GROUP

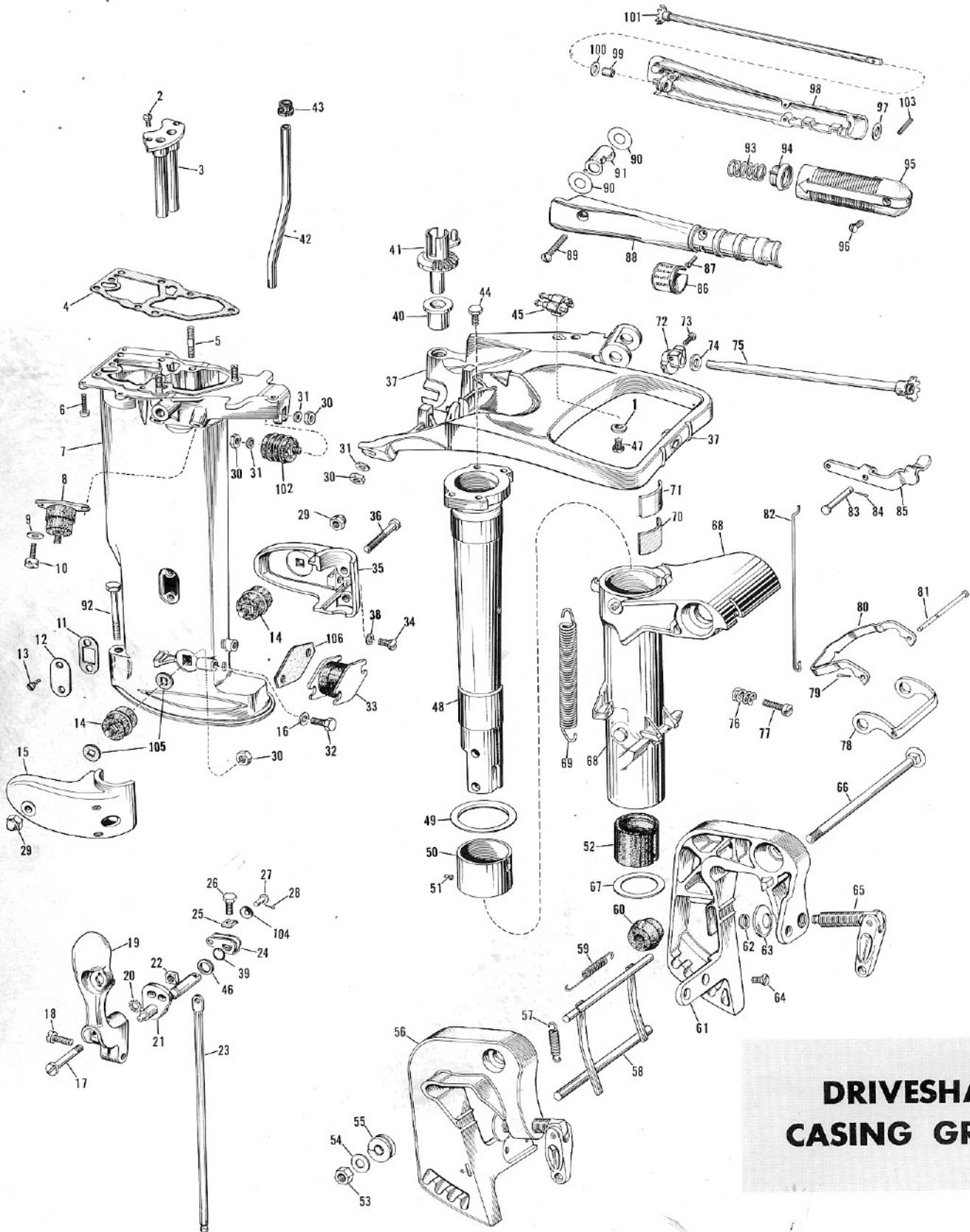


QD-QDL-17, 17B & 17R

BE SURE TO SPECIFY MODEL AND SERIAL NUMBER
OF MOTOR WHEN ORDERING PARTS

PHOTO NO.	PART NO.	NAME OF PART	QTY. PER MOTOR
1	510168	Cam	1
2	301857	Retaining Washer	2
3	301861	Spring	2
4	301860	Retaining Washer	2
5	302036	Seal	2
6	301967	O-Ring	2
7	302035	O-Ring	1
8	302499	Needle Bearing Assembly	2
9	120395	Key	1
10	376380	Crankshaft	1
11	301859	Retaining Ring	1
12	202967	Screw	4
13	376223	Connecting Rod Assembly	1
14	27-148	Needle Bearing	58
15	303712	Lock Ring	2
16	303711	Wrist Pin	2
17	376202	Piston and Dowel Pin Assy	2
	(376224	Piston, Connecting Rod - With Rings - Upper)	1
	(376226	Piston, Connecting Rod - With Rings - Lower)	1
18	301787	Piston Rings	6

ORDER ALL PARTS FROM YOUR JOHNSON SEA-HORSE DEALER



**DRIVESHAFT
CASING GROUP**

PARTS CATALOG

MODELS

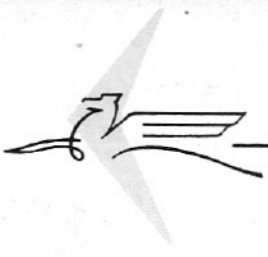
BE SURE TO SPECIFY MODEL AND SERIAL NUMBER
OF MOTOR WHEN ORDERING PARTS

QD-QDL-17, 17B & 17R

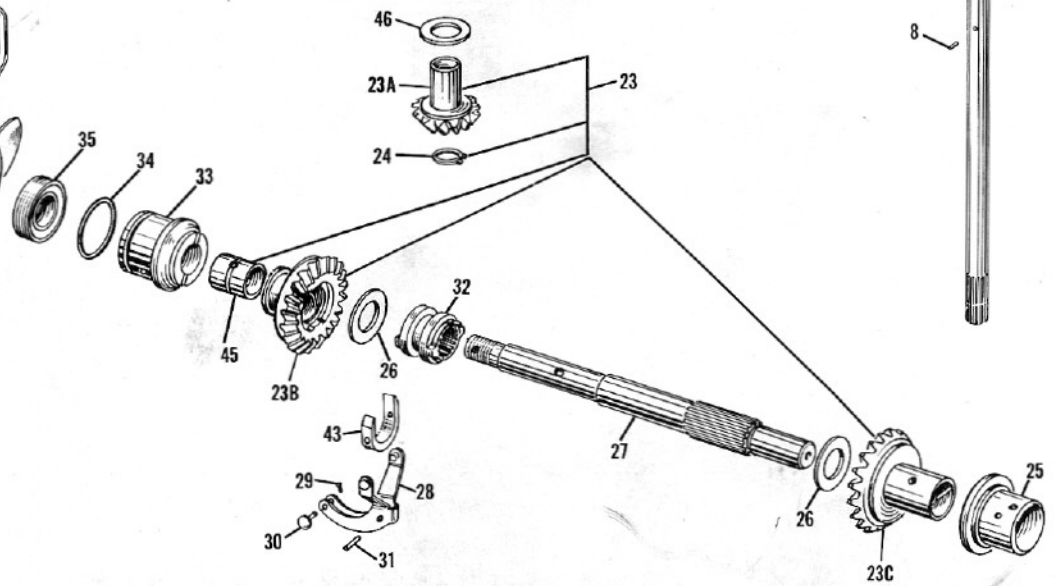
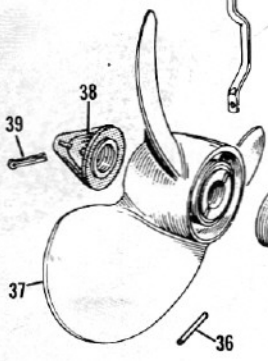
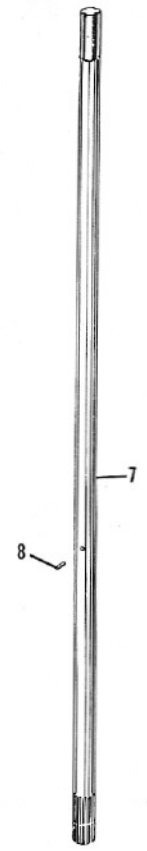
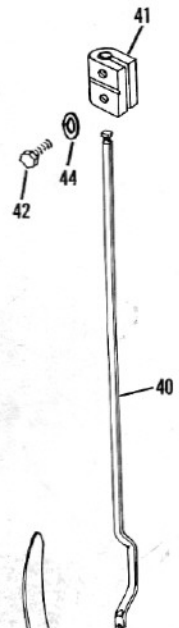
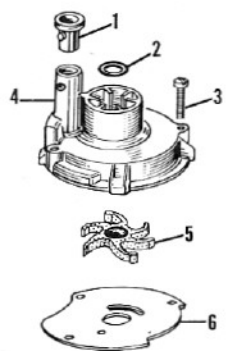
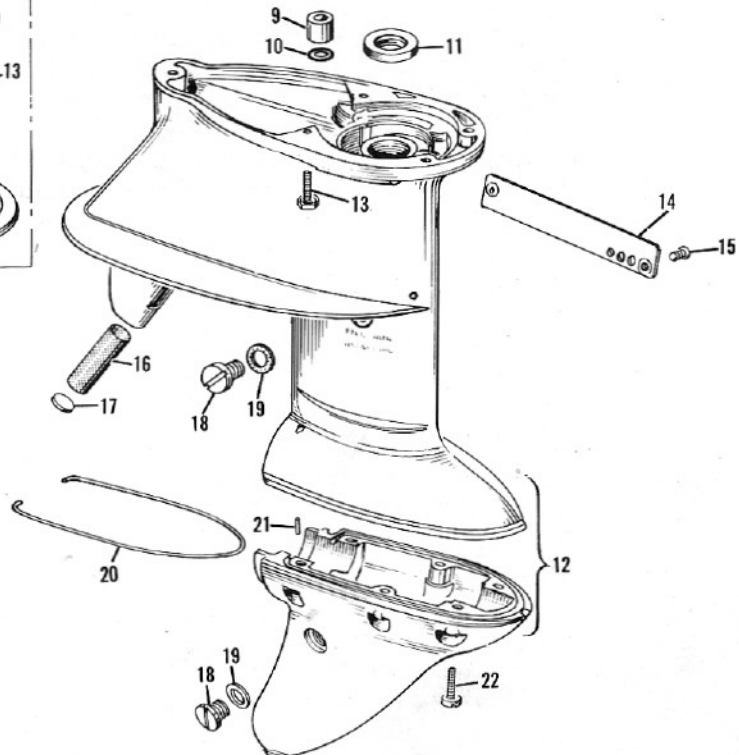
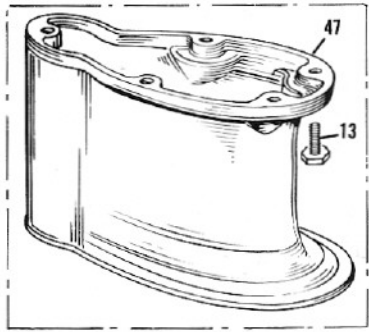
PHOTO NO.	PART NO.	NAME OF PART	QTY. PER MOTOR	PHOTO NO.	PART NO.	NAME OF PART	QTY. PER MOTOR
1	51-137	Lockwasher	1	62	302420	Retainer	2
2	25-74	Screw	6	63	41-48	Swivel Plate	2
3	376289	Exhaust Loading Tube Assembly	1	64	303396	Screw	2
4	303892	Gasket	1	65	375742	Clampscrew, Swivel Plate & Retainer Assembly	2
5	15-149	Stud	3	66	301984	Bolt	1
6	25-238	Screw	9	67	303865	Thrust Washer	1
7	376406	Exhaust Tube and Stud Assembly	1	68	303840	Swivel Bracket	1
8	303879	Rubber Mount - Upper Side	2	69	303979	Spring	1
9	303887	Washer	4	70	303843	Spacer	1
10	39-176	Screw	4	71	303844	Plate	1
11	304023	Gasket	1	72	303142	Pinion	1
12	303862	Cover Plate	1	73	71-1352	Screw	1
13	302509	Screw	4	74	303107	Washer	1
14	303880	Rubber Mount	2	75	376306	Gear & Shaft Assembly - Short (Model QD-17)	1
15	303897	Housing - Starboard	1		376692	Gear & Shaft Assembly - Short (Model QD-17B & 17R)	1
16	303886	Washer	4	76	551113	Spring	1
17	304817	Screw	1	77	132679	Screw	1
18	300258	Screw	1	78	303950	Link	1
19	376308	Shift Lever & Pin Assembly	1	79	15-268	Cotter Pin	3
20	303480	Lockwasher	1	80	303948	Locking Lever	1
21	376307	Adjusting Lever & Shaft Assy	1	81	303949	Rod	1
22	303189	Nut	1	82	303978	Link	1
23	303861	Shift Rod-Upper	1	83	303930	Pivot Shaft	1
24	304378	Lever	1	84	303049	Cotter Pin	1
25	303721	Clip	1	85	303980	Arm	1
26	303722	Screw	1	86	203260	Plate	1
27	304377	Pin	1	87	133452	Screw	2
28	15-268	Cotter Pin	3	88	303093	Steering Handle - Inner Half	1
29	303890	Acorn Nut	2	89	303078	Screw	1
30	303889	Nut	4	90	303079	Washer	2
31	303884	Washer	4	91	303096	Cover	1
32	303888	Screw	2	92	302871	Screw	1
33	303881	Rubber Mount	1	93	301656	Spring	1
34	303883	Screw	2	94	303282	Friction Block	1
35	303896	Housing - Port	1	95	303213	Grip	1
36	303898	Screw	2	96	302710	Screw	1
37	376583	Steering Bracket & Bushings Assembly	1	97	303252	Washer	1
38	303886	Washer	4	98	376042	Steering Handle & Bushings Assembly - Outer	1
39	303191	O-Ring	1	99	302717	Bushing	1
40	303854	Bushing	1	100	302712	Washer	1
41	304157	Gear	1	101	376416	Gear & Shaft Assembly - Long (Model QD-17)	1
42	303917	Water Tube	1		376691	Gear & Shaft Assembly - Long (Model QD-17B & 17R)	1
43	302497	Grommet	2	102	303878	Rubber Mount - Upper - Front	1
44	21-171	Screw	4	103	300346	Groove Pin	1
45	375788	Fuel Connector Assembly	1	104	304380	Bow Washer	1
46	303775	Washer	1	105	304168	Gasket	4
47	21-359	Screw	1	106	304169	Gasket	1
48	303853	Pilot Shaft	1				
49	303842	Thrust Washer	1	MODEL QDL-17, 17B & 17R PARTS THAT DIFFER FROM MODEL QD-17, 17B & 17R			
50	303846	Upper Liner	1	42	304037	Water Tube (QDL)	1
51	303696	Pin	1	92	304135	Screw (QDL)	1
52	303841	Shock Absorber	1	102	304153	Rubber Mount - Upper Front (QDL)	1
53	17-182	Nut	1				
54	25-196	Washer	1				
55	302051	Spring	1				
56	376283	Stern Bracket Assembly - Starboard	1				
57	202021	Spring	1				
58	376312	Tilting Lever Assembly	1				
59	304095	Spring	1				
60	301983	Conical Washer	2				
61	376284	Stern Bracket Assembly - Port	1				

See Page 17 for additional Model QDL-17, 17B & 17R parts

ORDER ALL PARTS FROM YOUR JOHNSON SEA-HORSE DEALER



GEARCASE ASSEMBLY GROUP



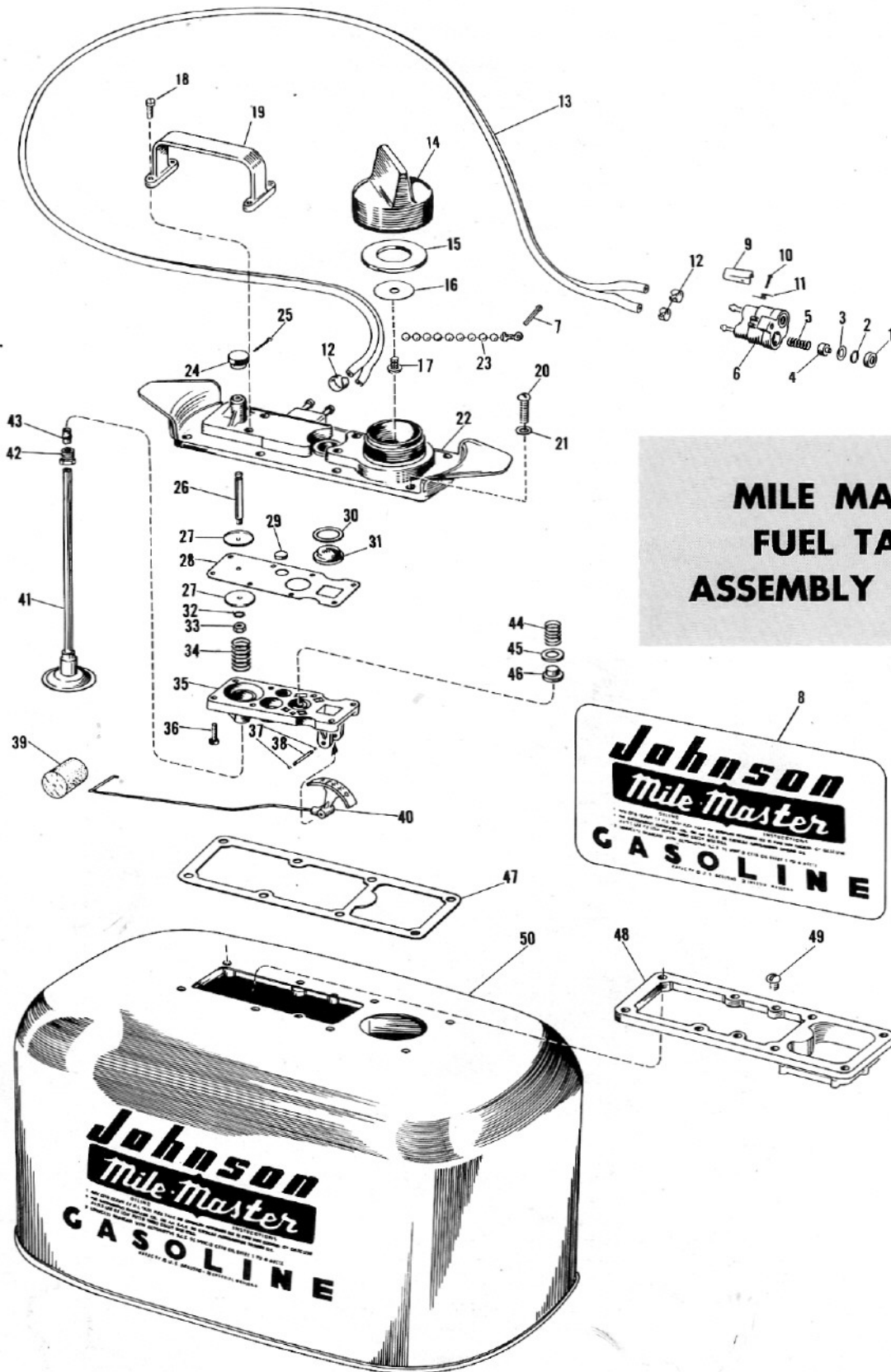
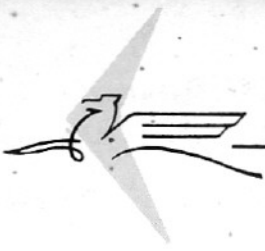
BE SURE TO SPECIFY MODEL AND SERIAL NUMBER
OF MOTOR WHEN ORDERING PARTS

QD-QDL-17, 17B & 17R

PHOTO NO.	PART NO.	NAME OF PART	QTY. PER MOTOR
1	302497	Grommet	2
2	303067	O-Ring	2
3	302508	Screw	3
4	303070	Impeller Housing	1
5	375638	Impeller Assy	1
6	303069	Plate	1
7	303860	Driveshaft	1
8	300771	Pin	1
9	301878	Bushing	1
10	301877	O-Ring	1
11	41-62	Seal	1
12	376482	Gearcase & Bearing Assembly (Model QD-17 & 17B)	1
	376771	Gearcase & Bearing Assembly (Model QD-17R)	1
13	302510	Screw	5
14	302505	Cover	1
15	302509	Screw	2
16	302757	Screen	1
17	300314	Plug	1
18	27-283	Screw	2
19	27-284	Washer	2
20	302513	Seal	1
21	300611	Dowel	2
22	304070	Screw	6
23	376720	Pinion, Gears and Bushing Assembly (Model QD-17)	1
23A	304569	Pinion (Model QD-17B & 17R)	1
23B	304570	Gear - Rear Reversing (Model QD-17B & 17R)	1
23C	376715	Gear & Bushing Assembly - Front (Model QD-17B & 17R)	1
24	301883	Retaining Ring	1
25	302496	Bearing	1
26	301884	Thrust Washer	2
27	304265	Propeller Shaft	1
28	375755	Shifter Lever and Pin Assembly	1
29	15-268	Cotter Pin	3
30	302504	Pin	1
31	302501	Pivot Pin	1
32	375711	Shifter Assembly	1
33	375751	Gearcase Head and Bearing Assembly	1
34	302493	O-Ring	1
35	302495	Seal	1
36	301923	Drive Pin (Model QD-17 & 17B)	1
	203663	Drive Pin (Model QD-17R)	1
37	376736	Propeller & Bushing Assembly (Model QD-17 & 17B)	1
	376735	Propeller & Bushing Assembly (Model QD-17R)	1
38	376501	Propeller Nut	1
39	19-84	Cotter Pin	3
40	303098	Shift Rod - Lower	1
41	303794	Connector	1
42	304024	Screw	2
43	302500	Cradle	1
44	301551	Lockwasher	2
45	303997	Bushing	1
46	303996	Thrust Washer	1
MODEL QDL-17, 17B & 17R PARTS THAT DIFFER FROM MODEL QD-17, 17B & 17R			
7	304036	Driveshaft (QDL)	1
13	302510	Screw (QDL)	5
40	303257	Shift Rod (QDL)	1
47	304136	Gearcase Extension (QDL)	1

See Page 15 for additional Model QDL-17, 17B & 17R parts

ORDER ALL PARTS FROM YOUR JOHNSON SEA-HORSE DEALER



**MILE MASTER
FUEL TANK
ASSEMBLY GROUP**



**Johnson
Mile Master
GASOLINE**

BE SURE TO SPECIFY MODEL AND SERIAL NUMBER
OF MOTOR WHEN ORDERING PARTS

PHOTO NO.	PART NO.	NAME OF PART	QTY. PER MOTOR
1	301828	Retainer	2
2	301824	O-Ring	2
3	301827	Washer	2
4	301826	Valve	2
5	301825	Spring	2
6	375587	Fuel Connector Assembly	1
7	15-213	Cotter Pin	1
8	304498	Transfer - Fuel Tank	1
9	301830	Lock	1
10	301832	Rivet	1
11	301829	Spring	1
12	301822	Hose Clamp	6
13	301821	Hose	1
14	375817	Filler Cap Assembly	1
15	301835	Gasket	1
16	302560	Plate	1
17	301837	Screw	1
18	13-558	Screw	14
19	302570	Handle	1
20	304137	Screw	8
21	301814	Gasket	8
22	376276	Housing	1
23	301838	Chain	1
24	301815	Push Button	1
25	17-186	Cotter Pin	1
26	302561	Push Rod	1
27	301800	Support	2
28	302563	Diaphragm	1
29	301802	Disc Valve	1
30	302571	Seal	1
31	302568	Glass	1
32	301736	Lockwasher	1
33	21-195	Nut	1
34	301803	Spring	1
35	302555	Housing	1
36	13-558	Screw	14
37	302654	Snap Ring	2
38	302653	Pin	1
39	302559	Float	1
40	375778	Indicator Assembly	1
41	375846	Foot Valve Assembly	1
42	132691	Nut	1
43	13-304	Gland	1
44	302135	Spring	1
45	302137	Washer	1
46	302136	Valve	1
47	302557	Gasket	1
48	302556	Support	1
49	53-85	Screw	2
50	375774	Fuel Tank (Only)	1
	(375777 Fuel Tank Assy Complete)		

NOTE
Mile Master Gasket Set Part No. 376455

ORDER ALL PARTS FROM YOUR JOHNSON SEA-HORSE DEALER



JOHNSON MOTORS • WAUKEGAN, ILLINOIS • U.S.A.