

~~1955~~ 1956

Johnson motors

**parts
catalog**

~~1955~~



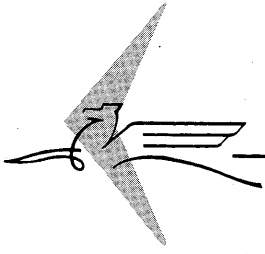
MODELS

FD-FDL-10

15 hp

W A U K E G A N , I L L I N O I S

PART NO. 376748



J O H N S O N M O T O R S

[Faint, illegible text and markings, possibly bleed-through from the reverse side of the page.]

WARRANTY

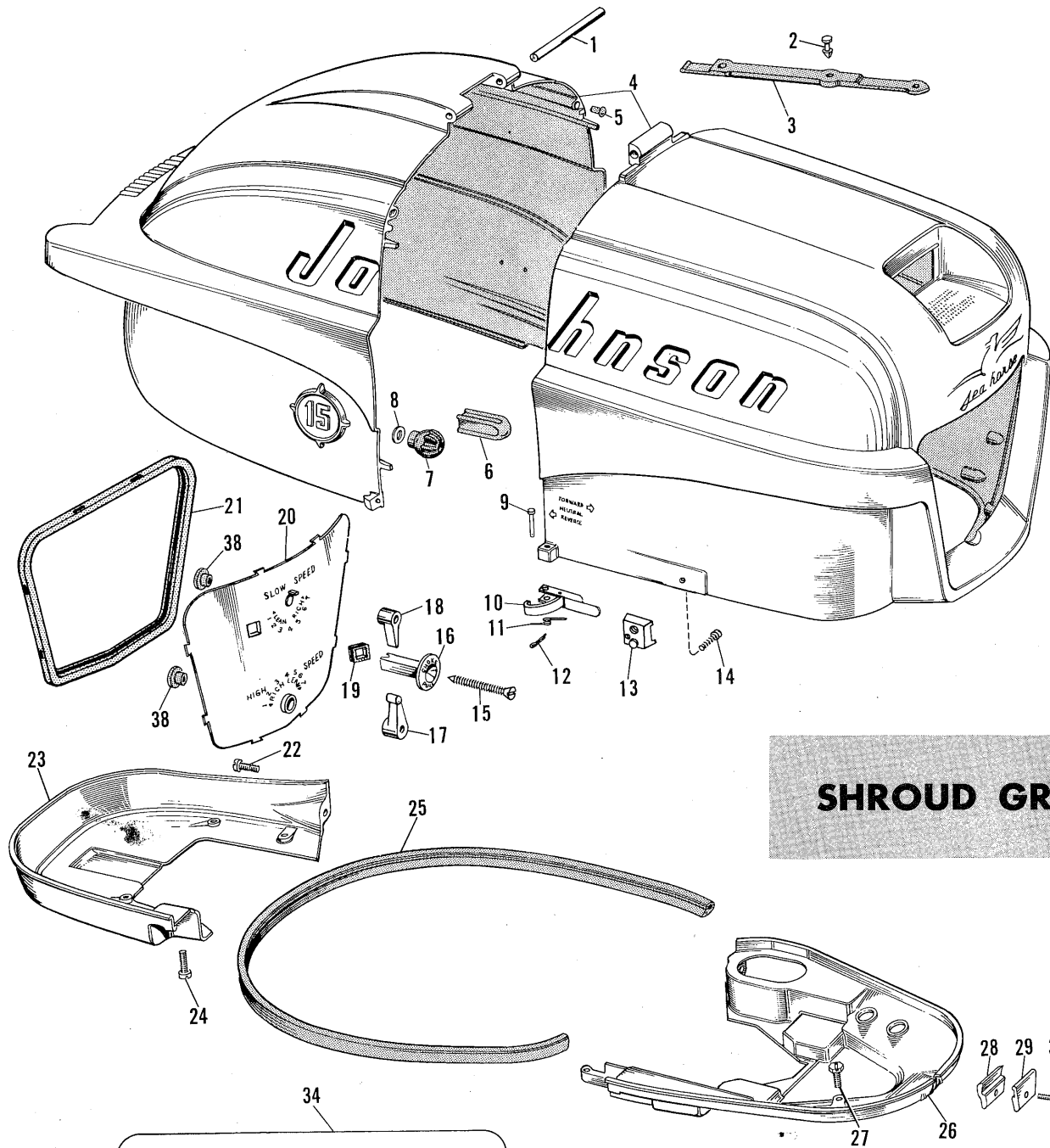
We warrant each new outboard motor of our manufacture to be free from defects in material and workmanship under normal use and service, our obligation under this warranty being limited to making good at the factory any part or parts thereof which shall, within three months after initial use, or within one year from date of original purchase, whichever first occurs, be returned to us with transportation charges prepaid, and which our examination shall disclose to our satisfaction to have been thus defective; this warranty being expressly in lieu of all other warranties and representations expressed or implied and of all other liabilities in connection with the sale or use of any motors.

This warranty shall not apply to any motor which shall have been repaired or altered outside the factory in any way so as to affect its stability, nor which has been subject to misuse, negligence or accident, or operated for racing purposes or operated in any other way than in accordance with our operating instructions.

We make no warranty in respect to trade accessories not of our manufacture, inasmuch as they are usually warranted separately by their respective manufacturers.

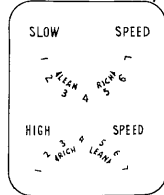
Because of the unusual strains and accidents to which such products may be subjected, we make no warranty of either material or workmanship in racing outboard motors or any of our products when used for racing.

Claims must be entered on motors or motor parts returned to the factory for inspection, repair or replacement. Request form No. SE-16 from local Johnson Dealer or Service Station. **This form should be filled in, signed by the motor owner and dealer or service station representatives and mailed to the factory with returned material. TRANSPORTATION CHARGES PREPAID.**



SHROUD GROUP

Johnson

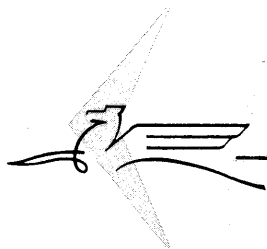


TO START
 1 Shift to Neutral 2 Connect fuel line
 3 Pump fuel pump until resistance is felt
 4 Set speed control at Start at full 15
 5 Pull choke out and start

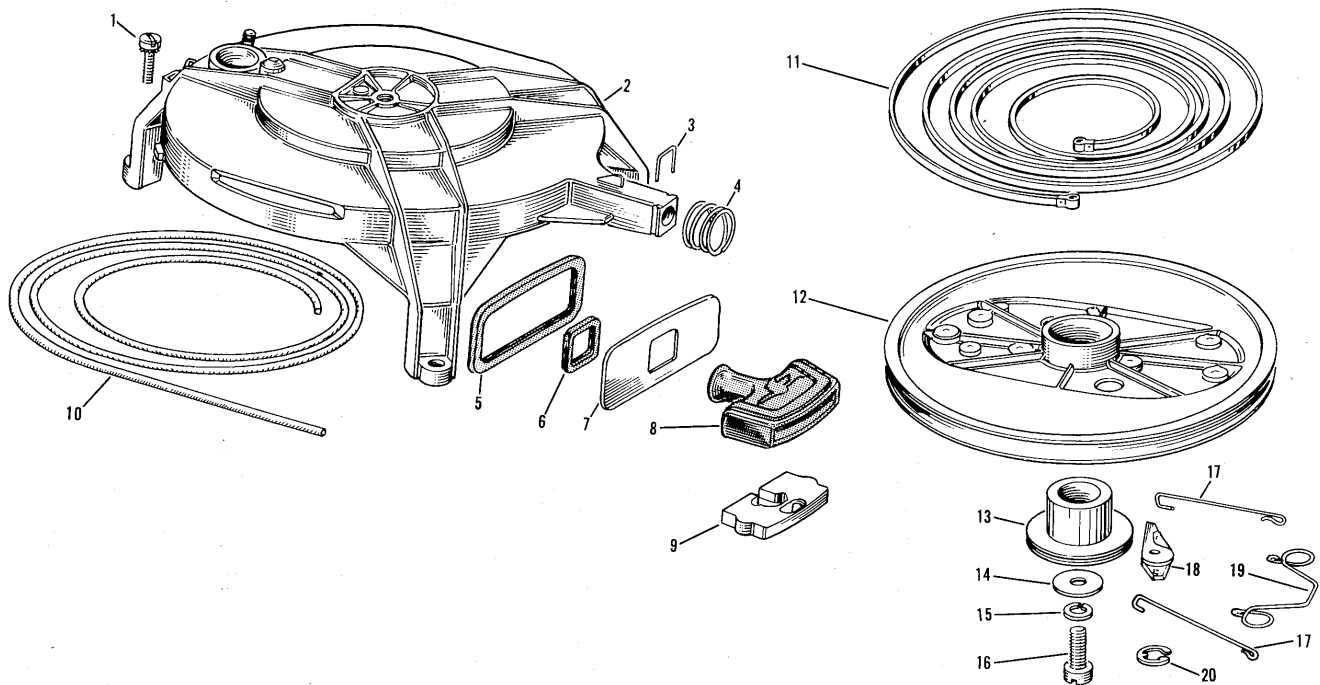
BE SURE TO SPECIFY MODEL AND SERIAL NUMBER
OF MOTOR WHEN ORDERING PARTS

PHOTO NO.	PART NO.	NAME OF PART	QTY. PER MOTOR
1	303536	Hinge Pin	1
2	304485	Pin	1
3	376627	Strap & Pin Assembly	1
4	376722	Shroud, Transfer & Bumper Assembly	1
5	203290	Bumper	2
6	303922	Bumper	2
7	304461	Bumper	2
8	303565	Washer	2
9	303522	Pin	2
10	376129	Clamp & Lever Assembly	2
11	303519	Spring	2
12	303590	Cotter Pin	2
13	303538	Boss	1
14	19-189	Screw	1
15	302761	Screw	1
16	303718	Choke Knob	1
17	304360	Adjusting Lever - High Speed	1
18	303847	Adjusting Lever - Slow Speed	1
19	303796	Grommet	1
20	376518	Control Panel & Transfer	1
21	303537	Grommet	1
22	304013	Screw	1
23	304005	Cover - Lower Rear	1
24	304012	Screw	4
25	304014	Seal	1
26	304004	Cover - Lower Front	1
27	304015	Screw	1
28	304020	Clamp - Inner	1
29	304021	Clamp - Outer	1
30	304022	Screw	1
31	304349	Transfer - Gearshift	1
32	304385	Medallion "15"	2
33	304387	Nut	4
34	304336	Transfer - Johnson - Port & Starboard	2
35	304339	Transfer - Sea Horse - Front	1
36	304369	Transfer - Starting Instructions	1
37	304309	Transfer - Control Panel	1
38	303535	Grommet	2

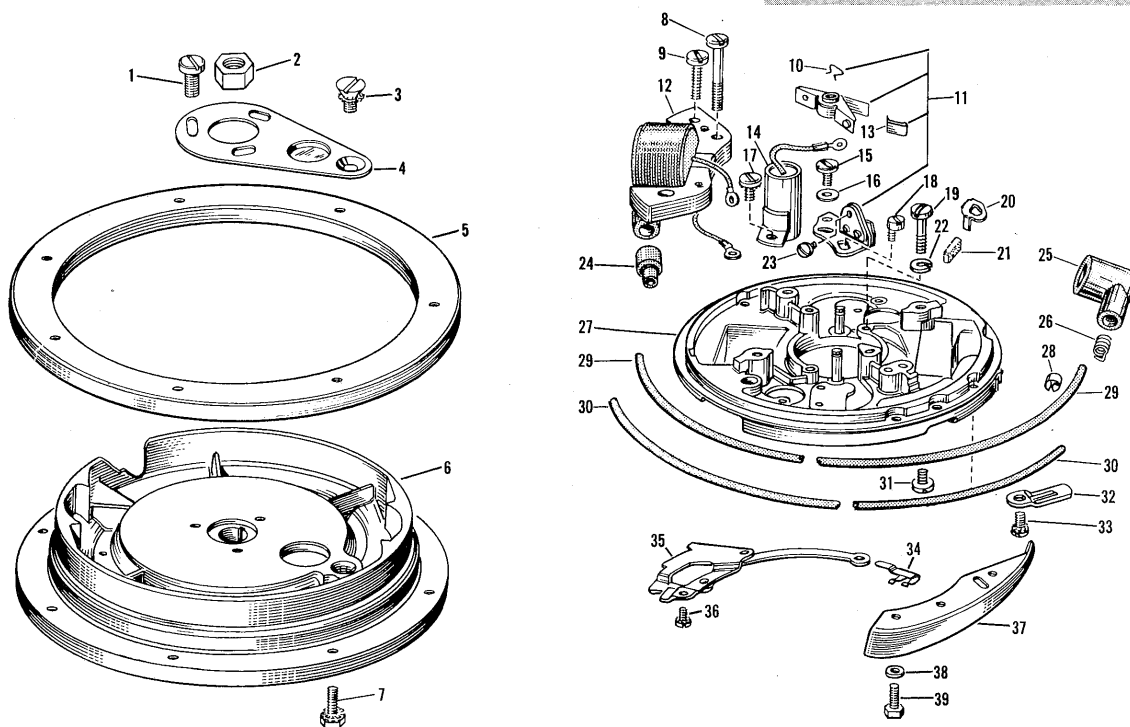
ORDER ALL PARTS FROM YOUR JOHNSON SEA-HORSE DEALER



STARTER GROUP



MAGNETO GROUP



BE SURE TO SPECIFY MODEL AND SERIAL NUMBER
OF MOTOR WHEN ORDERING PARTS

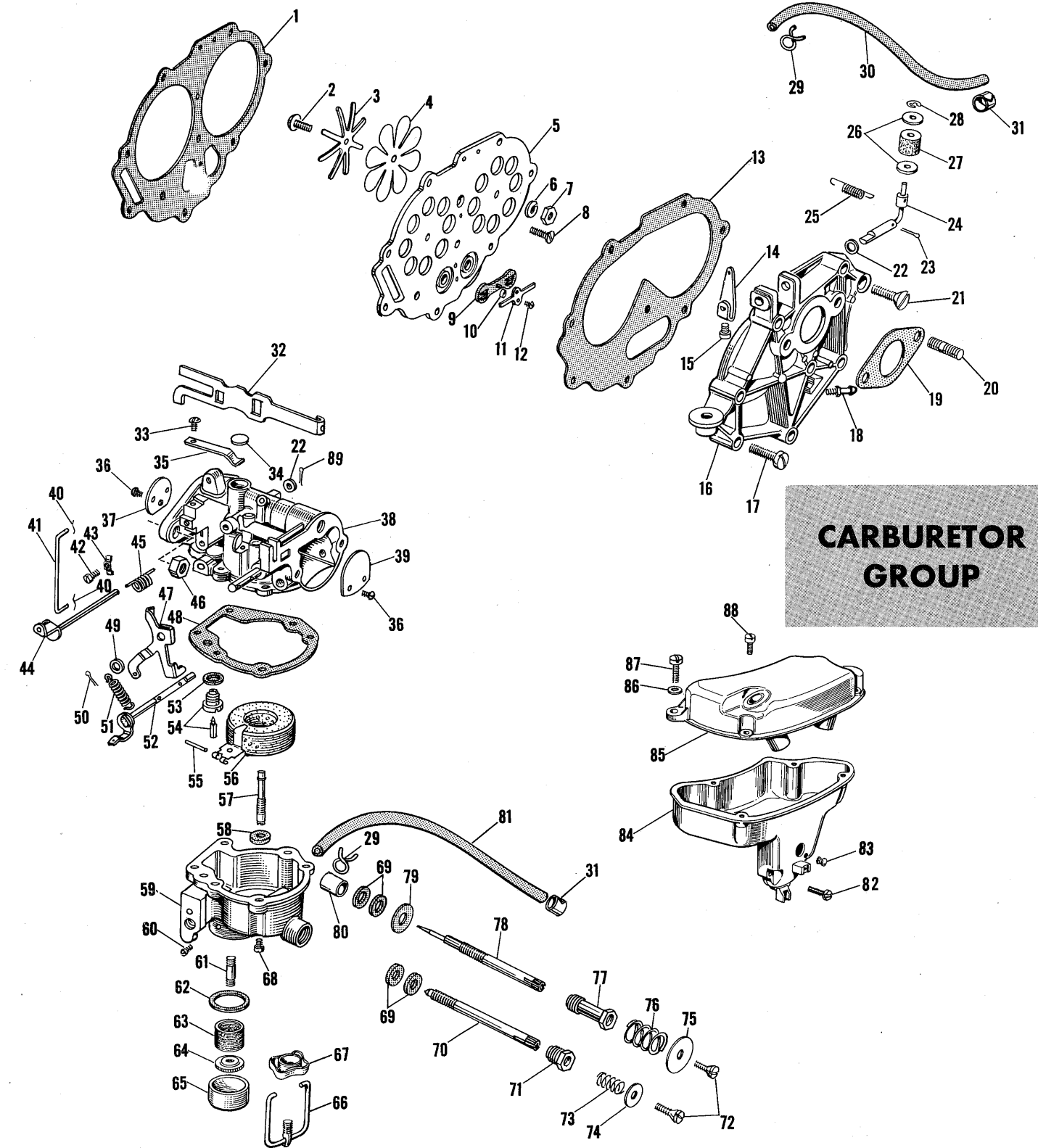
PHOTO NO.	PART NO.	NAME OF PART	QTY. PER MOTOR
1	303288	Screw	3
2	376665	Starter Housing & Pin Assembly	1
		(376667 Starter Assembly Complete)	1
3	304237	Spring Clip - Starter Housing	1
4	304235	Spring - Cover to Starter Housing	1
5	303529	Grommet	1
6	304236	Grommet	1
7	304238	Cover	1
8	304324	Handle - Starter	1
9	304325	Anchor - Rope to Handle	1
10	203822	Rope - Starter	1

PHOTO NO.	PART NO.	NAME OF PART	QTY. PER MOTOR
11	41-197	Starter Spring	1
12	376666	Starter Pulley & Pin Assembly	1
13	203699	Spindle - Starter	1
14	202356	Washer	1
15	13-51	Lockwasher - Starter Retaining Screw	1
16	13-588	Screw - Starter Retainer	14
17	203725	Link - Friction Spring to Pawl	2
18	203698	Pawl - Starter	1
19	203697	Friction Spring	1
20	203470	Retaining Ring - Starter Pawl	1

PHOTO NO.	PART NO.	NAME OF PART	QTY. PER MOTOR
1	203751	Screw	3
2	301988	Nut	1
3	510293	Screw	1
4	510292	Cover	1
5	510294	Ring	1
6	580221	Flywheel, Ring & Cover Assembly	1
7	303698	Screw	8
8	510191	Screw	2
9	510195	Screw	4
10	71-1052	Spring Clip	2
11	580148	Breaker Assembly	2
12	580118	Coil & Lamination Assembly	2
13	510204	Clip	2
14	510173	Condenser	2
15	510278	Screw	4
16	510208	Bow Washer	2
17	510193	Screw	8
18	510185	Eccentric Screw	2
19	510192	Screw	2
20	510188	Oiler Clip	1
21	510189	Oiler Wick	1
22	3-28	Lockwasher	2
23	510194	Screw	2

PHOTO NO.	PART NO.	NAME OF PART	QTY. PER MOTOR
24	510289	Grommet	2
25	510232	Rubber Cover	2
26	510231	Spring Terminal	2
27	580210	Armature Plate, Sleeve & Post Assembly	1
		(580207 Armature Plate Assembly Complete)	1
28	71-1239	Marker - High Tension Lead - Upper	1
29	510239	High Tension Lead - Upper	1
30	510210	High Tension Lead - Lower	1
31	510278	Screw	4
32	510190	Clamp	1
33	510193	Screw	8
34	303146	Spring Clip	1
35	376313	Link & Stop Assembly	1
36	510193	Screw	8
37	203277	Cam	1
38	300154	Washer	2
39	304441	Screw	2

ORDER ALL PARTS FROM YOUR JOHNSON SEA-HORSE DEALER



**CARBURETOR
GROUP**

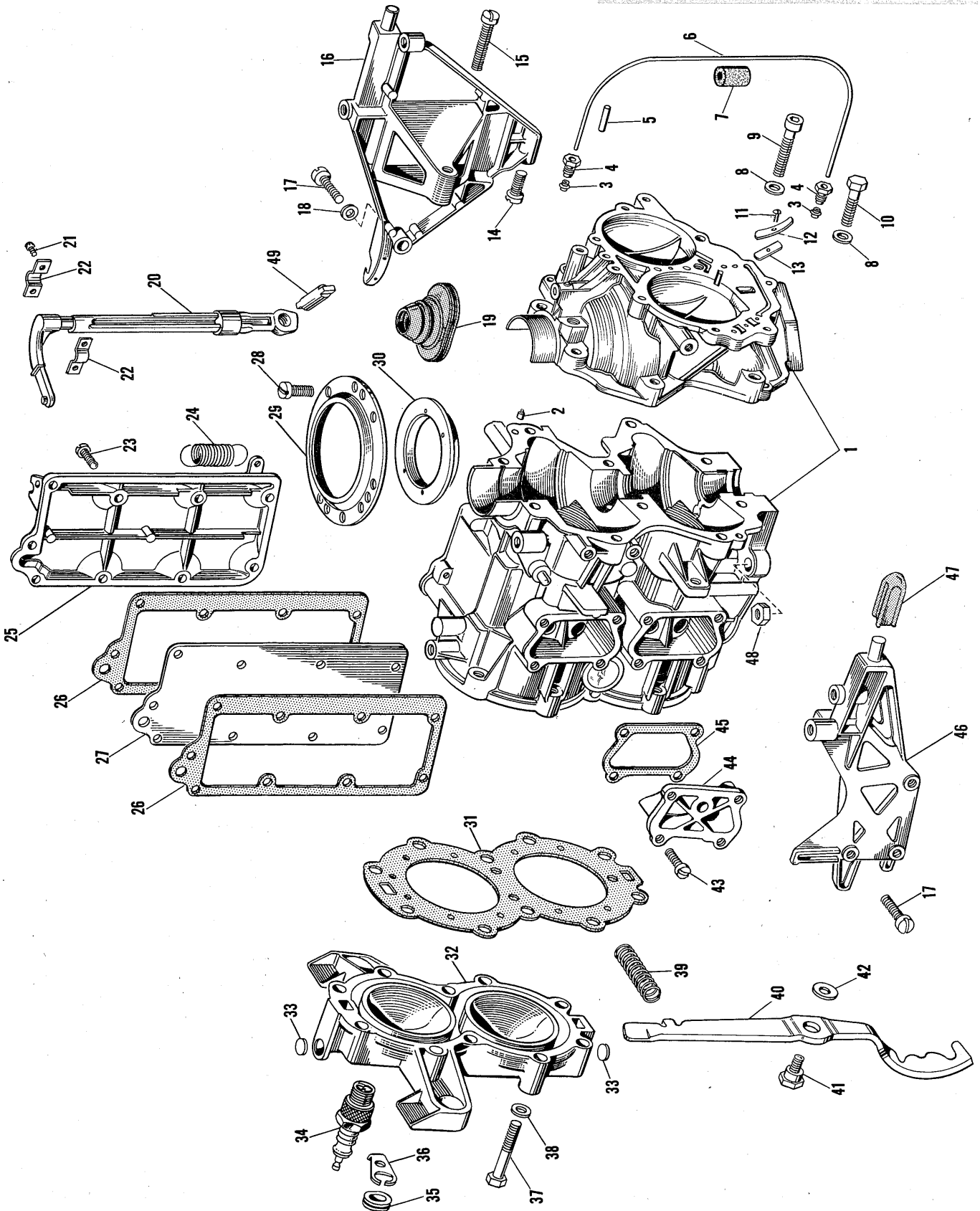
BE SURE TO SPECIFY MODEL AND SERIAL NUMBER
OF MOTOR WHEN ORDERING PARTS

PHOTO NO.	PART NO.	NAME OF PART	QTY. PER MOTOR
1	203269	Gasket	1
2	301858	Screw	2
3	203234	Leaf Stop	2
4	203246	Leaf	2
5	203267	Leaf Plate	1
	(277206	Leaf Plate Assembly)	1
6	71-1487	Lockwasher	2
7	85-64	Nut	4
8	302104	Screw	1
9	302042	Check Valve	1
10	302046	Spacer	2
11	302048	Spring	1
12	19-191	Screw	3
13	203270	Gasket	1
14	376729	Arm & Screw Assembly	1
15	304572	Screw	1
16	277563	Manifold & Stud Assembly	1
17	130618	Screw	8
18	303172	Nipple	1
19	203237	Gasket	1
20	302822	Stud	2
21	304294	Screw	1
22	303048	Washer	1
23	41-163	Cotter Pin	3
24	203732	Cam Follower	1
25	203276	Spring	1
26	303279	Bushing	2
27	203362	Roller	1
28	203363	Retainer	1
29	302647	Clamp	2
30	203287	Hose - Air	1
31	301822	Clamp	2
32	303143	Choke Rod	1
33	302430	Screw	1
34	202310	Expansion Plug	1
35	303132	Spring	1
36	303760	Screw	4
37	303174	Throttle Valve	1
38	376500	Carburetor Body, Valve & Bellcrank Shaft Assembly	1
	(376496	Carburetor Assembly Complete)	1
39	303126	Choke Valve	1
40	41-110	Pin	2
41	203727	Link	1
42	131249	Screw	1
43	303117	Bracket	1
44	376497	Throttle Shaft & Lever Assembly	1
45	303119	Spring	1

PHOTO NO.	PART NO.	NAME OF PART	QTY. PER MOTOR
46	7-46	Nut	5
47	303144	Bellcrank	1
48	302994	Gasket	1
49	85-54	Washer	1
50	41-163	Cotter Pin	3
51	303316	Spring	1
52	375993	Choke Shaft & Lever Assembly	1
53	301996	Gasket	1
54	375985	Float Valve & Seat Assembly	1
55	300096	Hinge Pin	1
56	375919	Float & Float Arm Assembly	1
57	303175	Nozzle	1
58	302984	Gasket	1
59	376681	Float Chamber & Nipple Assembly	1
60	303041	Screw	1
61	304518	Stud	1
62	303122	Gasket	1
63	303133	Filter Element	1
64	304539	Nut	1
65	303121	Filter Bowl	1
66	375992	Yoke & Screw Assembly	1
67	375989	Thumb Nut & Swivel Cup Assembly	1
68	71-1589	Screw	5
69	43-123	Packing	4
70	304082	Needle Valve - High Speed	1
71	300179	Nut	1
72	551517	Screw	2
73	302993	Spring	1
74	202065	Washer	1
75	25-304	Washer	1
76	303548	Spring	1
77	303479	Nut	1
78	303945	Needle Valve - Slow Speed	1
79	203355	Washer	1
80	303947	Bushing	1
81	203286	Hose - Fuel	1
82	13-558	Screw	14
83	203652	Button Plug	1
84	203728	Air Silencer - Lower	1
85	277437	Air Silencer - Upper	1
86	13-585	Washer	3
87	21-167	Screw	2
88	25-74	Screw	4
89	303049	Cotter Pin	2

ORDER ALL PARTS FROM YOUR JOHNSON SEA-HORSE DEALER

POWER HEAD GROUP



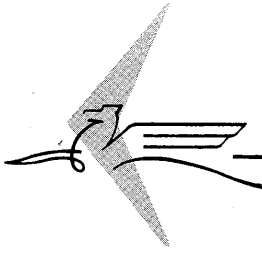
BE SURE TO SPECIFY MODEL AND SERIAL NUMBER OF MOTOR WHEN ORDERING PARTS

PHOTO NO.	PART NO.	NAME OF PART	QTY. PER MOTOR
1	277450	Cylinder and Crankcase	1
2	302037	Dowel - Upper and Center	2
3	11-61	Gland	2
4	41-105	Packing Nut	2
5	300402	Taper Pin	2
6	376742	Oil Line	1
7	302811	Spacer	1
8	15-212	Washer	15
9	203249	Screw	2
10	25-242	Screw	8
11	19-191	Screw	3
12	203248	Plate	1
13	203235	Leaf Valve	1
14	21-167	Screw	1
15	130618	Screw	8
16	304348	Bracket - Port	1
17	21-124	Screw	4
18	13-585	Washer	3
19	304019	Grommet	1
20	203805	Lever	1
21	510193	Screw	7
22	303109	Bearing Clamp	2
23	43-110	Screw	9
24	302827	Spring	1
25	203724	Exhaust Cover	1

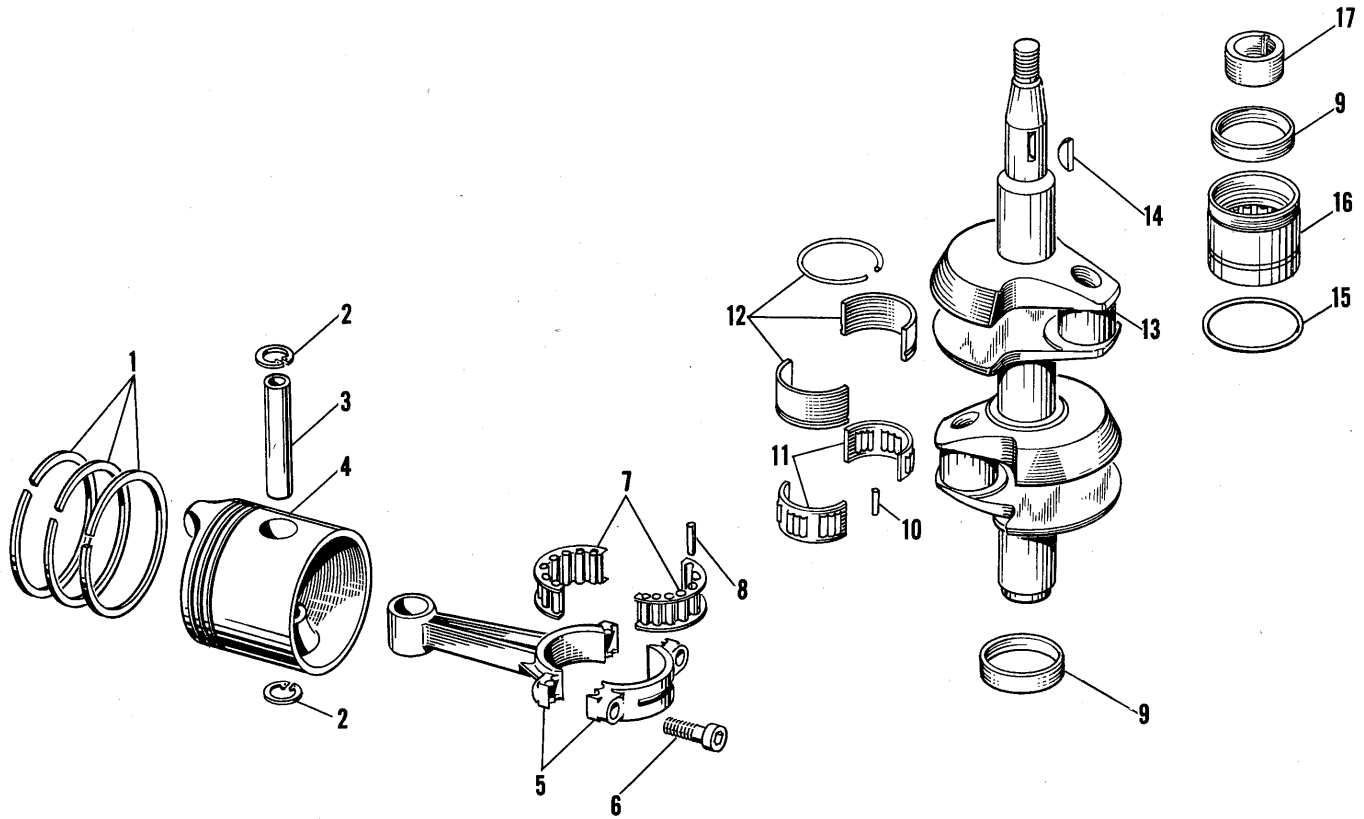
PHOTO NO.	PART NO.	NAME OF PART	QTY. PER MOTOR
26	203257	Gasket	2
27	203258	Baffle Plate	1
28	304442	Screw	3
29	303278	Support	1
30	303277	Retaining Ring	1
31	203247	Gasket	1
32	376491	Cylinder Head	1
33	202310	Core Plug	2
34	*200322	Spark Plug - Champion J6J	2
34	*376290	Spark Plug - Auto Lite A3X	2
35	300454	Grommet	1
36	300455	Anchor	1
37	21-486	Screw	10
38	15-212	Washer	15
39	302587	Spring	1
40	203596	Shifter Lock	1
41	302592	Screw	1
42	304051	Washer	1
43	43-259	Screw	8
44	203253	Cover	2
45	203259	Gasket	2
46	304264	Bracket - Starboard	1
47	303922	Bumper	2
48	7-46	Nut	5
49	304155	Pin	1

*We recommend either Champion or Auto-Lite Spark Plugs

NOTE
Power Head Gasket Set (less Cyl. Head Gasket)
Part No. 376704



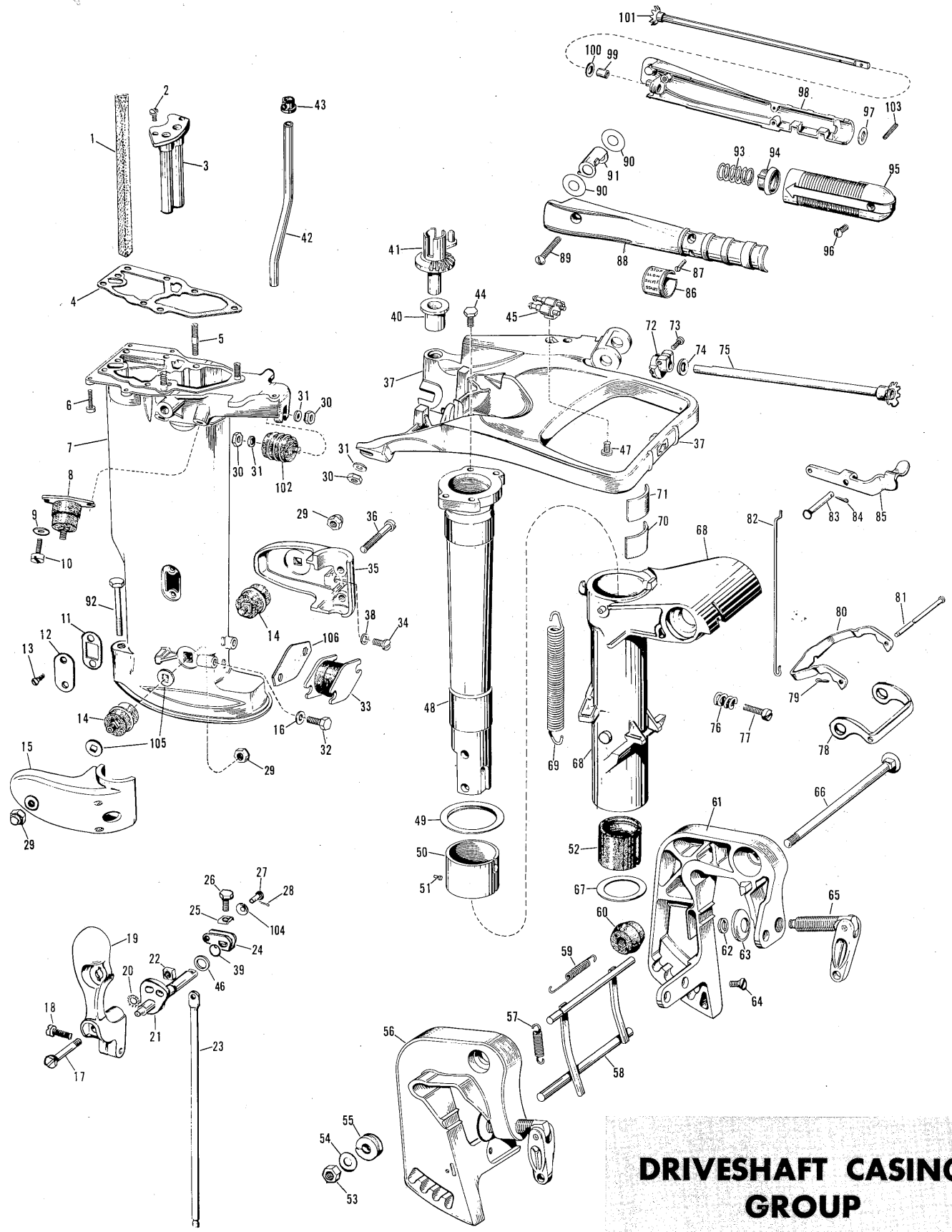
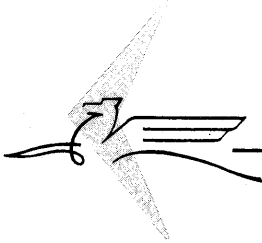
CRANKSHAFT GROUP



BE SURE TO SPECIFY MODEL AND SERIAL NUMBER
OF MOTOR WHEN ORDERING PARTS

PHOTO NO.	PART NO.	NAME OF PART	QTY. PER MOTOR
1	301787	Piston Ring	6
2	302577	Retaining Ring	4
3	203238	Piston Pin	2
4	277402	Piston & Dowel Pin Assembly	2
	(277203	Piston and Connecting Rod Assembly)	2
5	277205	Connecting Rod Assembly	2
6	202967	Screw	4
7	203244	Retainer - Connecting Rod Bearing	2
8	302529	Needle Bearing	30
9	303804	Seal - Upper & Lower Bearing	2
10	302584	Roller - Center Bearing	18
11	302755	Bearing Cage - Center	2
12	302585	Split Sleeve - Center Bearing	1
13	203657	Crankshaft	1
14	120395	Key	1
15	302537	O-Ring - Upper Bearing	1
16	376433	Roller Bearing & Seal Assembly - Upper	1
17	510168	Cam	1

ORDER ALL PARTS FROM YOUR JOHNSON SEA-HORSE DEALER



DRIVESHAFT CASING GROUP

BE SURE TO SPECIFY MODEL AND SERIAL NUMBER OF MOTOR WHEN ORDERING PARTS

PHOTO NO.	PART NO.	NAME OF PART	QTY. PER MOTOR	PHOTO NO.	PART NO.	NAME OF PART	QTY. PER MOTOR
1	304002	Baffle	1	58	376312	Tilting Lever Assembly	1
2	25-74	Screw	6	59	304095	Spring	1
3	376289	Exhaust Loading Tube Assembly	1	60	301983	Conical Washer	2
4	303892	Gasket	1	61	376284	Stern Bracket Assembly - Port	1
5	304517	Stud	3	62	302420	Retainer	2
6	25-238	Screw	5	63	41-48	Swivel Plate	2
7	376406	Exhaust Tube and Stud Assembly	1	64	303396	Screw	2
8	303879	Rubber Mount - Upper Side	2	65	375742	Clampscrew, Swivel Plate & Retainer Assembly	2
9	303887	Washer	4	66	301984	Bolt	1
10	39-176	Screw	4	67	303865	Thrust Washer	1
11	304023	Gasket	1	68	303840	Swivel Bracket	1
12	303862	Cover Plate	1	69	303979	Spring	1
13	302509	Screw	4	70	303843	Spacer	1
14	303880	Rubber Mount	2	71	303844	Plate	1
15	303897	Housing - Starboard	1	72	303142	Pinion	1
16	303886	Washer	4	73	71-1352	Screw	1
17	39-72	Screw	1	74	303107	Washer	1
18	300258	Screw	1	75	376306	Gear & Shaft Assembly - Short	1
19	376520	Shift Lever and Pin Assembly	1	76	551113	Spring	1
20	303480	Lockwasher	1	77	132679	Screw	1
21	376307	Adjusting Lever & Shaft Assembly	1	78	303950	Link	1
22	303189	Nut	1	79	15-268	Cotter Pin	3
23	303861	Shift Rod - Upper	1	80	303948	Locking Lever	1
24	304378	Lever	1	81	303949	Rod	1
25	303721	Clip	1	82	303978	Link	1
26	303722	Screw	1	83	303930	Pivot Shaft	1
27	304377	Pin	1	84	303049	Cotter Pin	2
28	15-268	Cotter Pin	3	85	303980	Arm	1
29	303890	Acorn Nut	4	86	203260	Plate	1
30	303889	Nut	4	87	133452	Screw	2
31	303884	Washer	4	88	303093	Steering Handle - Inner Half	1
32	303888	Screw	2	89	303078	Screw	1
33	303881	Rubber Mount	1	90	303079	Washer	2
34	303883	Screw	2	91	303096	Cover	1
35	303896	Housing - Port	1	92	302871	Screw	1
36	303898	Screw	2	93	301656	Spring	1
37	376583	Steering Bracket & Bushing Assembly	1	94	303282	Friction Block	1
38	303886	Washer	4	95	303213	Grip	1
39	303191	O-Ring	1	96	302710	Screw	1
40	303854	Bushing	1	97	303252	Washer	1
41	304157	Gear	1	98	376042	Steering Handle & Bushing Assembly	1
42	303917	Water Tube	1	99	302717	Bushing	1
43	302497	Grommet	2	100	302712	Washer	1
44	21-171	Screw	4	101	376416	Gear & Shaft Assembly - Long	1
45	375788	Fuel Connector Assembly	1	102	303878	Rubber Mount - Upper - Front	1
46	303775	Washer	1	103	300346	Groove Pin	1
47	303311	Screw	1	104	304380	Bow Washer	1
48	303853	Pilot Shaft	1	105	304168	Gasket	4
49	303842	Thrust Washer	1	106	304169	Gasket	1
50	303846	Upper Liner	1				
51	303696	Pin	1				
52	303841	Shock Absorber	1				
53	17-182	Nut	1				
54	25-196	Washer	1				
55	302051	Spring	1				
56	376283	Stern Bracket Assembly - Starboard	1				
57	202021	Spring	1				

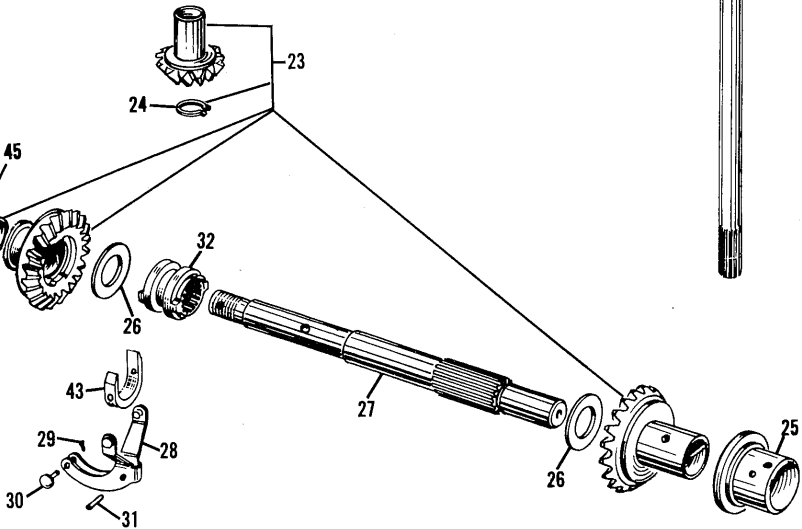
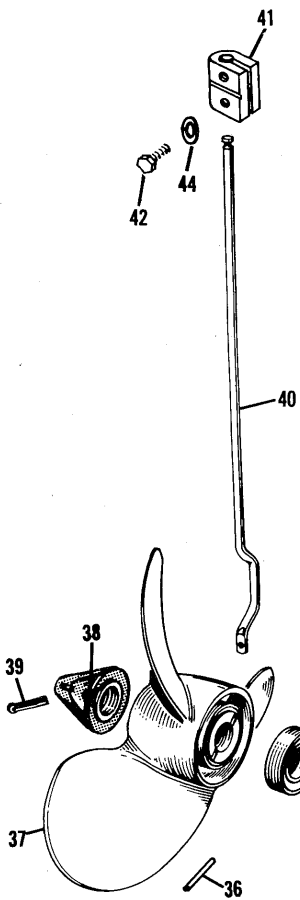
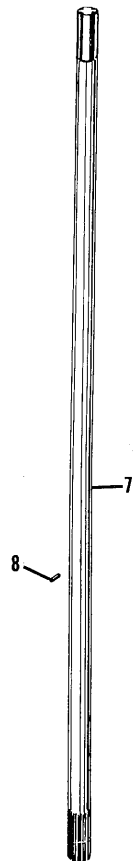
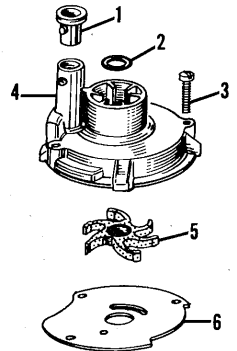
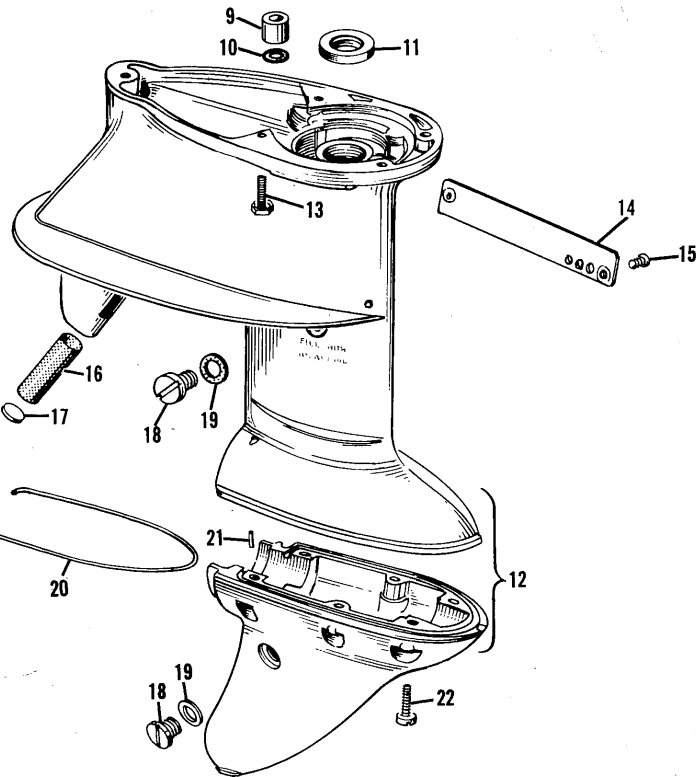
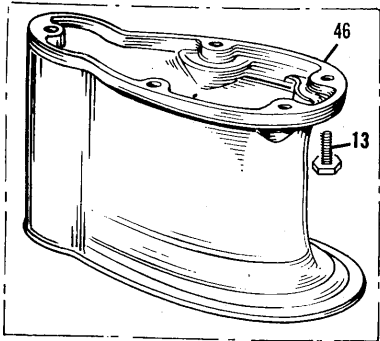
MODEL FDL-10 PARTS THAT DIFFER FROM MODEL FD-10

42	304037	Water Tube (FDL)	1
92	304135	Screw (FDL)	1
102	304153	Rubber Mount - Upper Front (FDL)	1

See Page 17 for additional Model FDL-10 parts

ORDER ALL PARTS FROM YOUR JOHNSON SEA-HORSE DEALER

GEARCASE ASSEMBLY GROUP



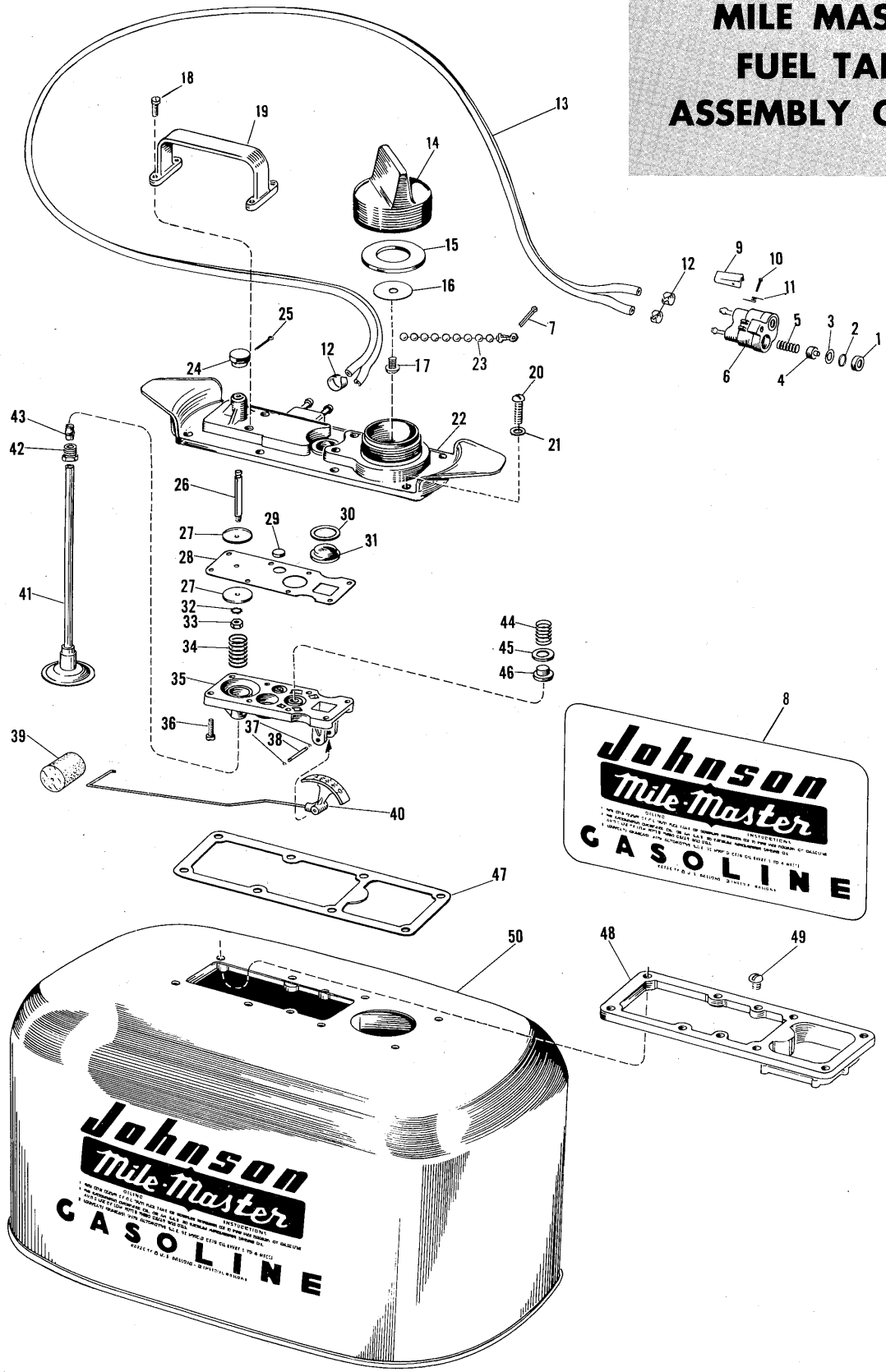
BE SURE TO SPECIFY MODEL AND SERIAL NUMBER
OF MOTOR WHEN ORDERING PARTS

PHOTO NO.	PART NO.	NAME OF PART	QTY. PER MOTOR
1	302497	Grommet	2
2	303067	O-Ring	1
3	302508	Screw	3
4	303070	Impeller Housing	1
5	375638	Impeller Assembly	1
6	303069	Plate	1
7	303860	Driveshaft	1
8	300771	Pin	1
9	301878	Bushing	1
10	301877	O-Ring	1
11	41-62	Seal	1
12	376482	Gearcase and Bearing Assembly	1
13	302510	Screw	4
14	302505	Cover	1
15	302509	Screw	4
16	302757	Screen	1
17	300314	Plug	1
18	27-283	Screw	2
19	27-284	Washer	2
20	302513	Seal	1
21	300611	Dowel	2
22	304070	Screw	6
23	376485	Pinion, Gears and Bushing Assembly	1
24	301883	Retaining Ring	1
25	302496	Bearing	1
26	301884	Thrust Washer	2
27	304265	Propeller Shaft	1
28	375755	Shifter Lever and Pin Assembly	1

PHOTO NO.	PART NO.	NAME OF PART	QTY. PER MOTOR
29	15-268	Cotter Pin	3
30	302504	Pin	1
31	302501	Pivot Pin	1
32	375711	Shifter Assembly	1
33	375751	Gearcase Head & Bearing Assembly	1
34	302493	O-Ring	1
35	302495	Seal	1
36	203663	Drive Pin	1
37	376506	Propeller and Bushing Assembly	1
38	376501	Propeller Nut	1
39	19-84	Cotter Pin	3
40	303098	Shift Rod - Lower	1
41	303794	Connector	1
42	304024	Screw	2
43	302500	Cradle	1
44	301551	Lockwasher	2
45	303997	Bushing	1
MODEL FDL-10 PARTS THAT DIFFER FROM MODEL FD-10			
7	304036	Driveshaft (FDL)	1
13	302510	Screw (FDL)	4
40	303257	Shift Rod (FDL)	1
46	304136	Gearcase Extension (FDL)	1

See Page 15 for additional Model FDL-10 parts

MILE MASTER FUEL TANK ASSEMBLY GROUP



BE SURE TO SPECIFY MODEL AND SERIAL NUMBER
OF MOTOR WHEN ORDERING PARTS

PHOTO NO.	PART NO.	NAME OF PART	QTY. PER MOTOR
1	301828	Retainer	2
2	301824	O-Ring	2
3	301827	Washer	2
4	301826	Valve	2
5	301825	Spring	2
6	375587	Fuel Connector Assembly	1
7	15-213	Cotter Pin	1
8	304498	Transfer - Fuel Tank	1
9	301830	Lock	1
10	301832	Rivet	1
11	301829	Spring	1
12	301822	Hose Clamp	6
13	301821	Hose	1
14	375817	Filler Cap Assembly	1
15	301835	Gasket	1
16	302560	Plate	1
17	301837	Screw	1
18	13-558	Screw	14
19	302570	Handle	1
20	304137	Screw	8
21	301814	Gasket	8
22	376276	Housing	1
23	301838	Chain	1
24	301815	Push Button	1
25	17-186	Cotter Pin	1

PHOTO NO.	PART NO.	NAME OF PART	QTY. PER MOTOR
26	302561	Push Rod	1
27	301800	Support	2
28	302563	Diaphragm	1
29	301802	Disc Valve	1
30	302571	Seal	1
31	302568	Glass	1
32	301736	Lockwasher	1
33	21-195	Nut	1
34	301803	Spring	1
35	302555	Housing	1
36	13-558	Screw	14
37	302654	Snap Ring	2
38	302653	Pin	1
39	302559	Float	1
40	375778	Indicator Assembly	1
41	375846	Foot Valve Assembly	1
42	132691	Nut	1
43	13-304	Gland	1
44	302135	Spring	1
45	302137	Washer	1
46	302136	Valve	1
47	302557	Gasket	1
48	302556	Support	1
49	53-85	Screw	2
50	375774	Fuel Tank (Only)	1
	(375777	Fuel Tank Assembly Complete)	1

NOTE
Mile Master Fuel Tank Gasket Set
Part No. 376455

ORDER ALL PARTS FROM YOUR JOHNSON SEA-HORSE DEALER



JOHNSON MOTORS • WAUKEGAN, ILLINOIS • U.S.A.