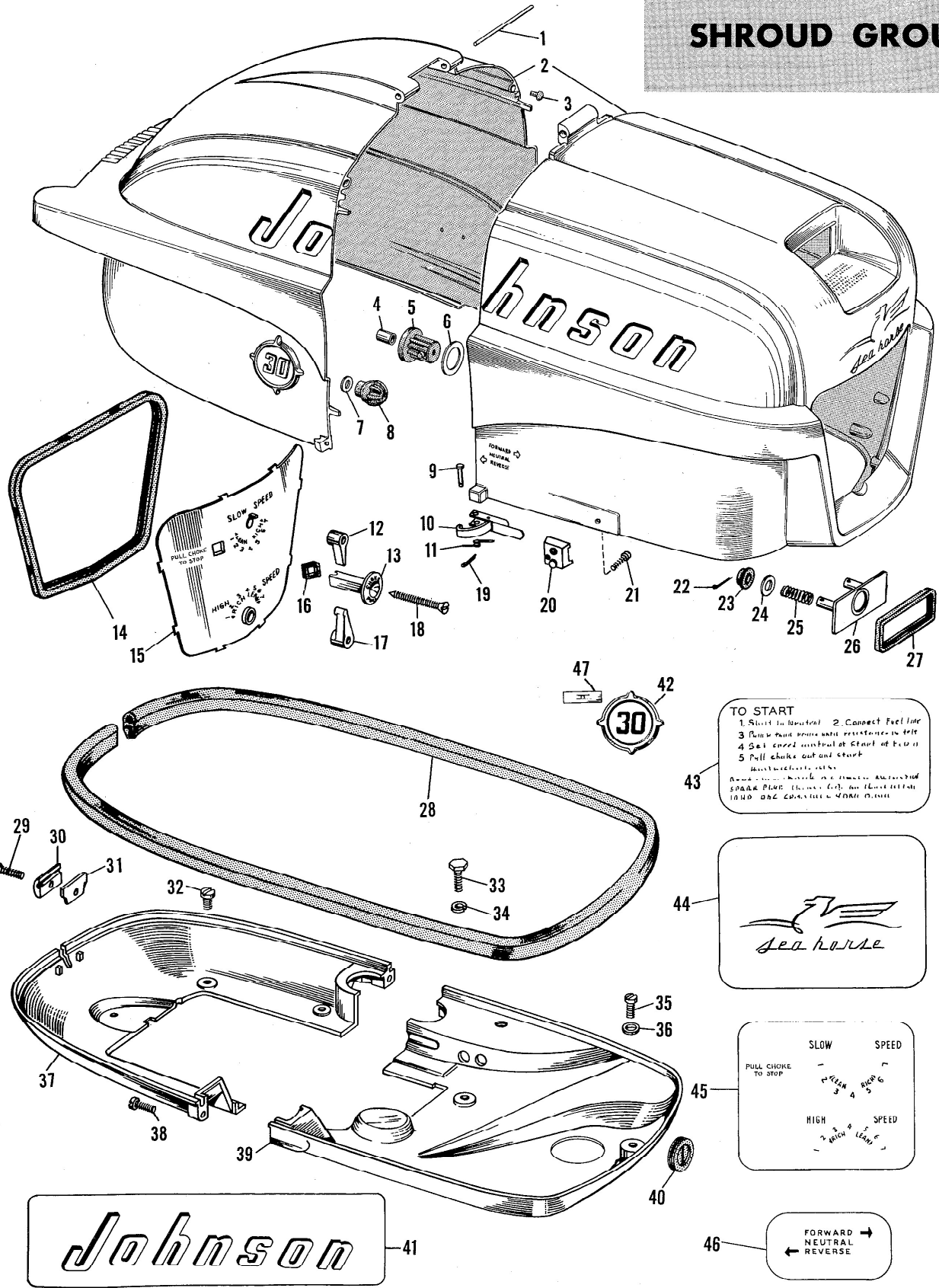


**SHROUD GROUP**



**TO START**  
 1. Shift to Neutral 2. Connect Fuel line  
 3. Pump fuel primer until resistance is felt  
 4. Set choke control at Start of Full (1)  
 5. Pull choke out and start  
 (After starting, move choke control to desired speed)  
 SPARK PLUG (Check Gap) for 1/16" (1.5mm) and one electrode worn (clean)

