

MODELS

AD - ADL - 12

7.5 HP

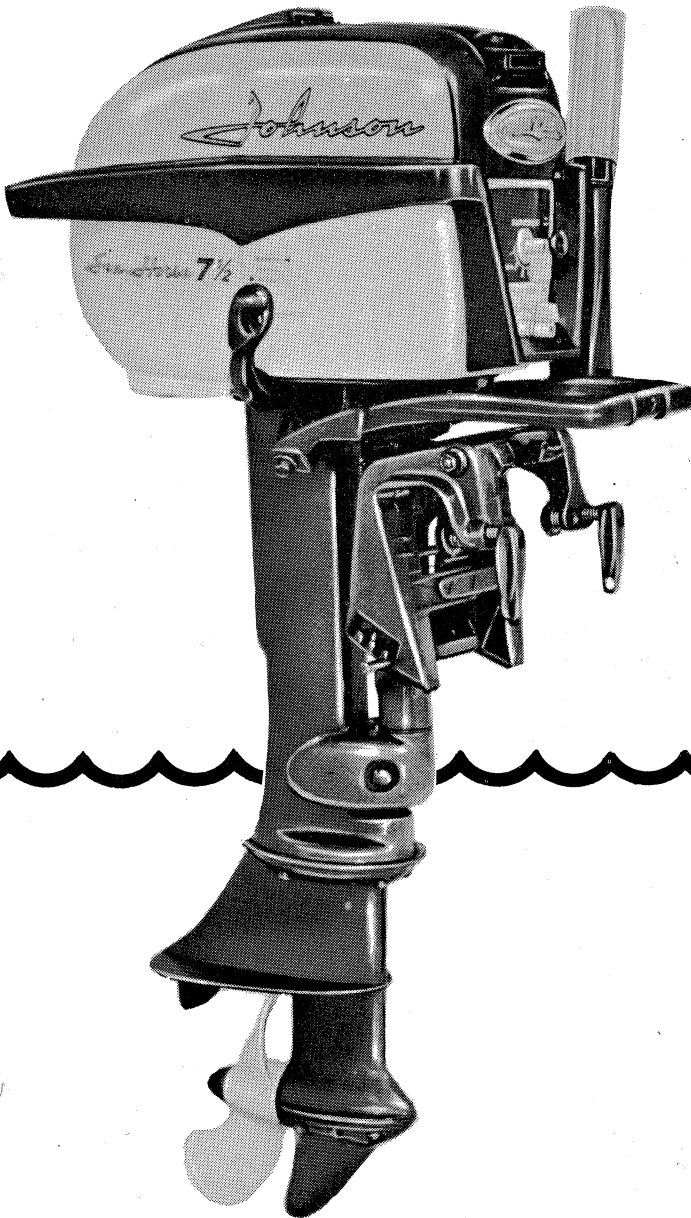
Johnson

MOTORS

PARTS
CATALOG

1958

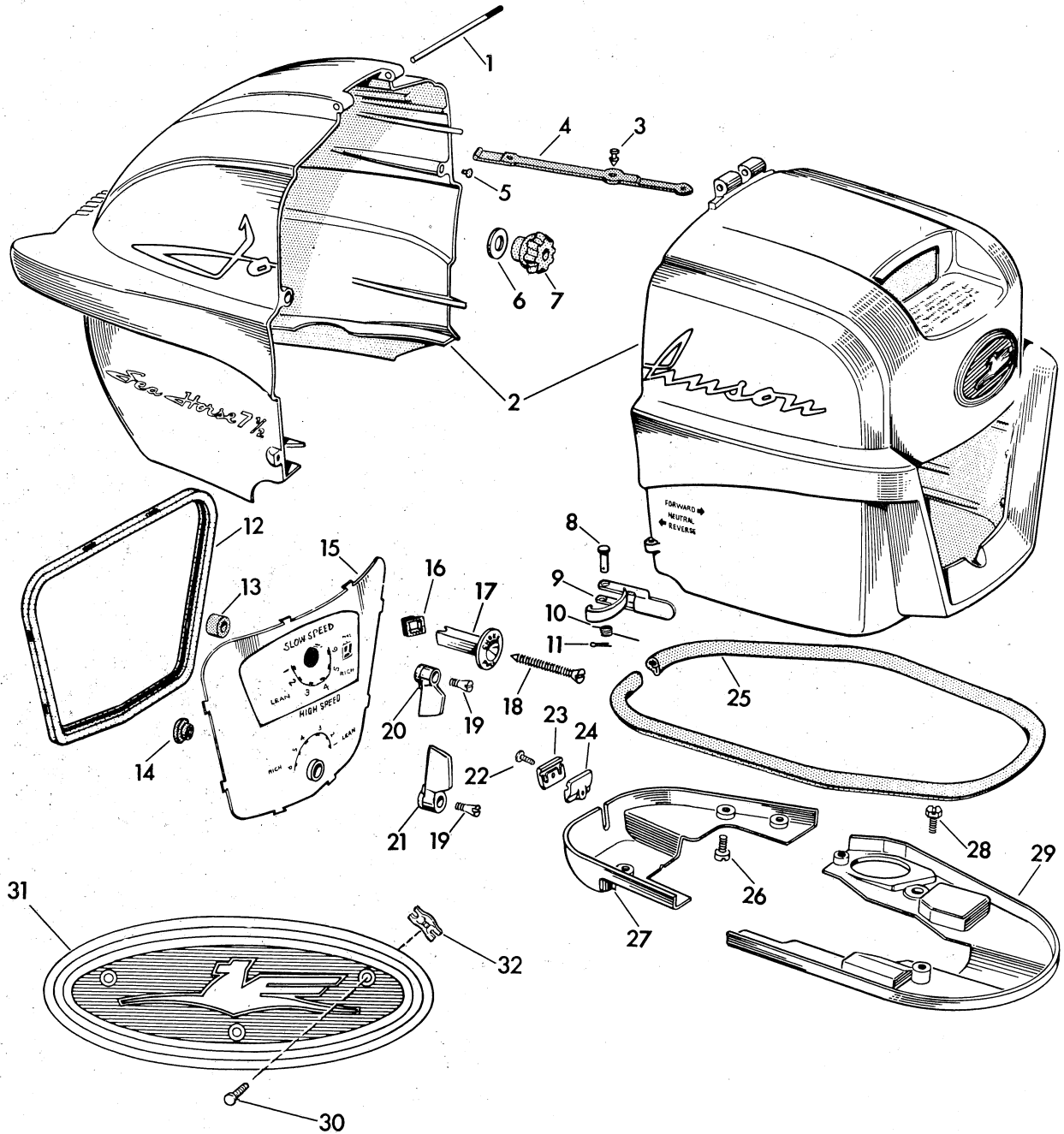
WAUKEGAN, ILLINOIS



SHROUD GROUP

MODEL AD-ADL-12

Johnson



SPECIFY MODEL AND SERIAL NUMBER OF MOTOR WHEN ORDERING PARTS

PARTS CATALOG

SHROUD GROUP

MODEL AD-ADL-12

ITEM NO.	PART NO.	NAME OF PART	QTY. PER MOTOR
1	303536	Hinge Pin	1
2	377424	Shroud, Transfer and Bumper Assembly	1
3	304485	Pin	1
4	376627	Strap and Pin Assembly	1
5	203290	Bumper	2
6	304928	Washer	2
7	304461	Bumper	2
8	303522	Pin	2
9	376129	Clamp and Lever Assembly	2
10	303519	Spring	2
11	303590	Cotter Pin	2
12	304303	Grommet	1
13	303532	Sleeve	1
14	303535	Grommet	1
15	377193	Control Panel and Transfer Assembly	1
16	303796	Grommet	1
17	303718	Choke Knob	1
18	302761	Screw	1
19	551517	Screw	2
20	377218	Lever - Slow Speed	1
21	377219	Lever - High Speed	1
22	304022	Screw	1
23	304021	Clamp - Outer	1
24	304020	Clamp - Inner	1
25	304297	Seal	1
26	304012	Screw	6
27	304240	Cover - Lower - Rear	1
28	304015	Screw	1
29	304239	Cover - Lower - Front	1
30	304997	Screw	3
31	305718	Medallion - Sea-Horse	1
32	553507	Fastener	3

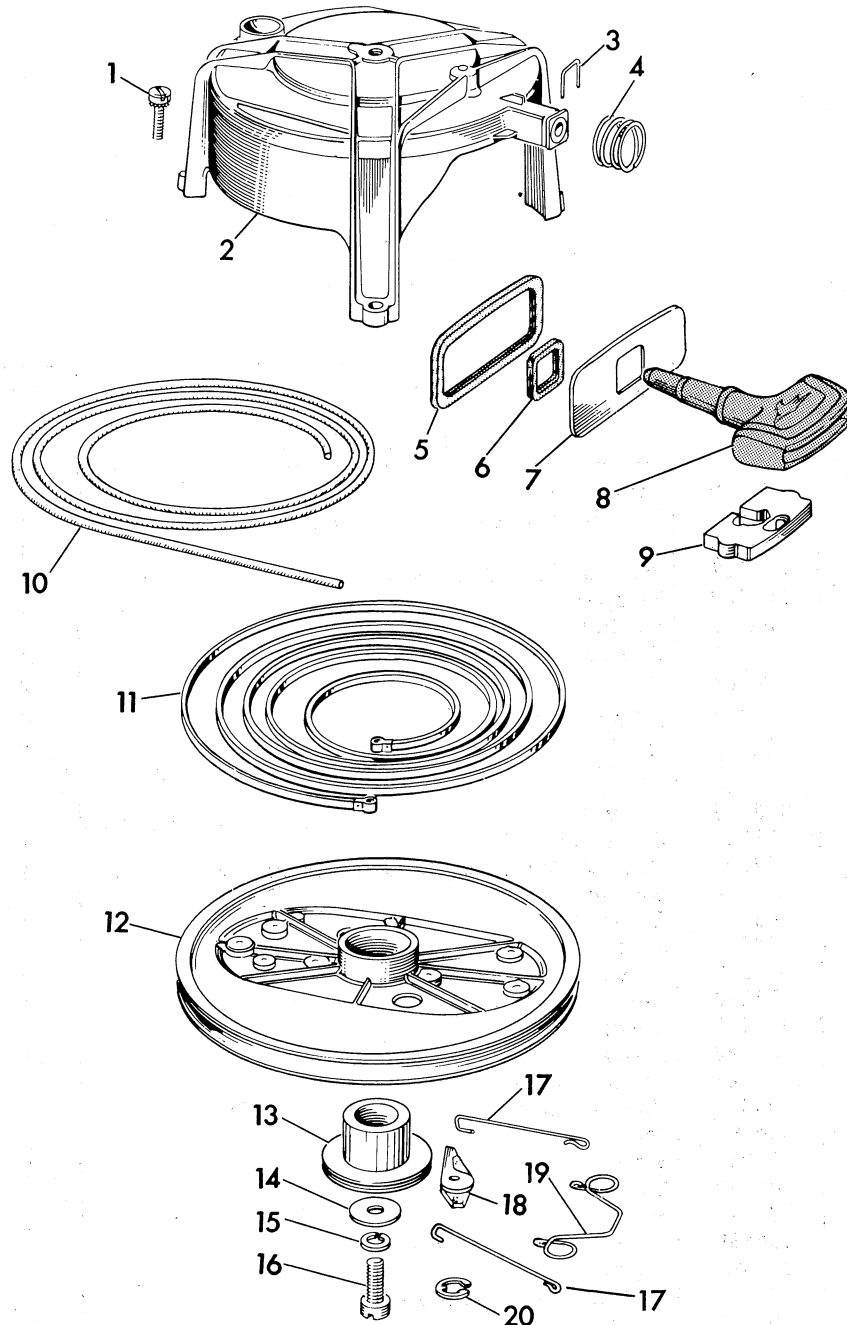
NOTE

Decal Set Assembly
Part No. 377425

ORDER ALL PARTS FROM YOUR JOHNSON SEA-HORSE DEALER

STARTER GROUP

MODEL AD-ADL-12



ITEM NO.	PART NO.	NAME OF PART	QTY. PER MOTOR
1	303288	Screw	3
2	376669	Starter Housing and Pin Assembly	1
	376783	Starter Assembly Complete	
3	304237	Spring Clip	1
4	304235	Spring	1
5	303529	Grommet	1
6	304236	Grommet	1
7	304238	Cover	1
8	304503	Handle	1
9	304323	Anchor	1

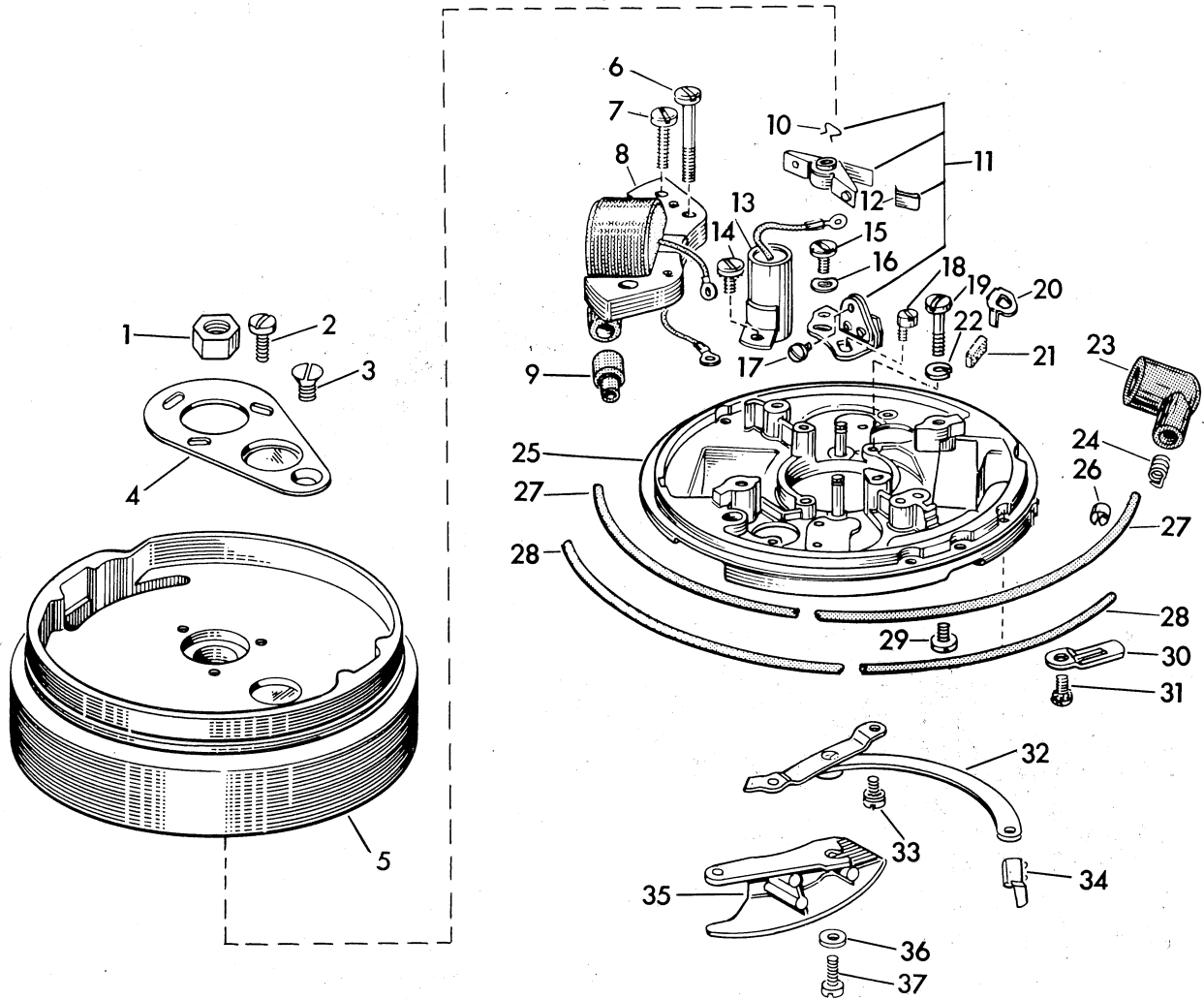
ITEM NO.	PART NO.	NAME OF PART	QTY. PER MOTOR
10	203820	Rope	1
11	41-197	Spring	1
12	376670	Starter Pulley and Pin Assembly	1
13	203699	Spindle	1
14	202356	Washer	1
15	13-51	Lockwasher	1
16	13-588	Screw	1
17	203713	Link	2
18	203698	Pawl	1
19	203697	Friction Spring	1
20	203470	Retaining Ring	1

SPECIFY MODEL AND SERIAL NUMBER OF MOTOR WHEN ORDERING PARTS

PARTS CATALOG

MAGNETO GROUP

MODEL AD-ADL-12



ITEM NO.	PART NO.	NAME OF PART	QTY. PER MOTOR
1	301988	Nut	1
2	203751	Screw	3
3	510293	Screw	1
4	510292	Cover	1
5	580217	Flywheel and Cover Assembly	1
6	510191	Screw	2
7	510195	Screw	4
8	580118	Coil and Lamination Assembly	2
9	510289	Grommet	2
10	71-1052	Spring Clip	2
11	580148	Breaker Point Assembly	2
12	510204	Clip	2
13	510173	Condenser	2
14	510193	Screw	3
15	510278	Screw	4
16	510208	Bow Washer	2
17	510194	Screw	2
18	510185	Eccentric Screw	2
19	510192	Screw	2

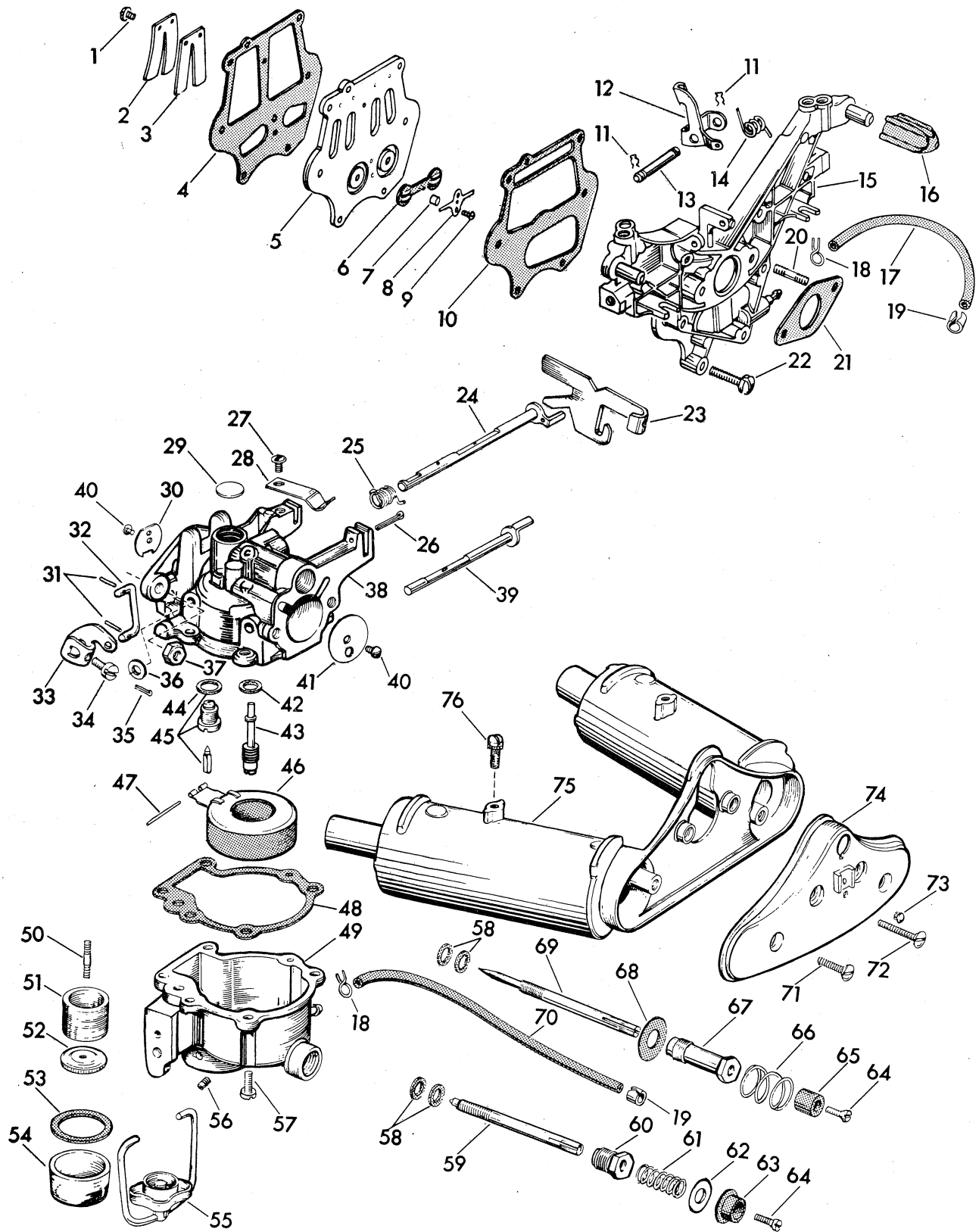
ITEM NO.	PART NO.	NAME OF PART	QTY. PER MOTOR
20	510188	Oiler Clip	1
21	510189	Oiler Wick	1
22	3-28	Lockwasher	2
23	510232	Cover	2
24	510231	Spring Terminal	2
25	580210	Armature Plate and Post Assembly	1
	580206	Armature Plate Assembly	1
26	71-1239	Marker	1
27	510256	High Tension Lead - Upper	1
28	510257	High Tension Lead - Lower	1
29	510278	Screw	4
30	510388	Clamp	1
31	510193	Screw	3
32	376064	Plate and Link Assembly	1
33	510193	Screw	2
34	305988	Spring Clip	1
35	203888	Cam	1
36	303952	Washer	4
37	302750	Screw	2

ORDER ALL PARTS FROM YOUR JOHNSON SEA-HORSE DEALER

CARBURETOR GROUP

MODEL AD-ADL-12

Johnson



SPECIFY MODEL AND SERIAL NUMBER OF MOTOR WHEN ORDERING PARTS

PARTS CATALOG

CARBURETOR GROUP

MODEL AD-ADL-12

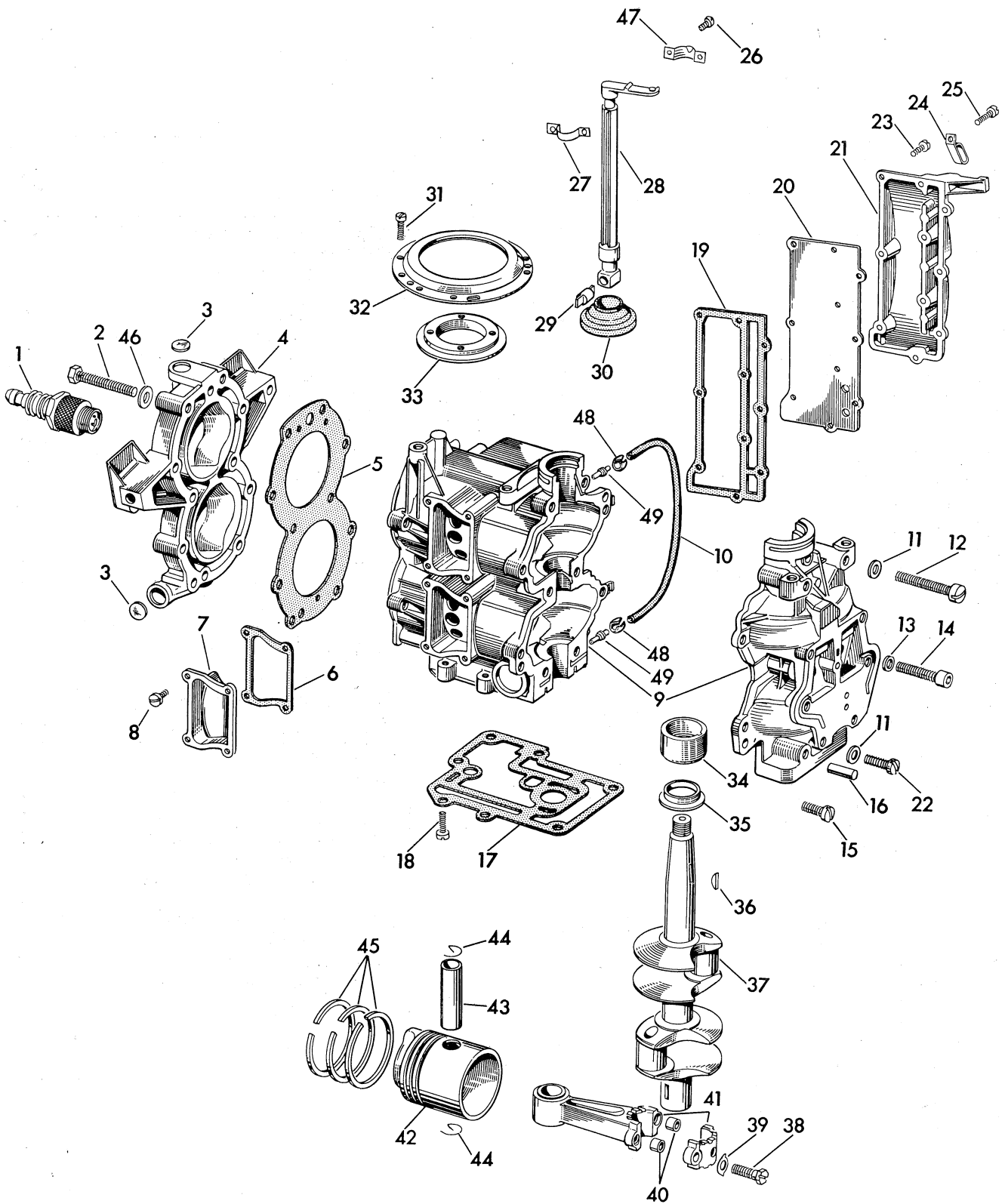
ITEM NO.	PART NO.	NAME OF PART	QTY. PER MOTOR
1	303761	Screw	4
2	202668	Leaf Stop	2
3	202667	Leaf	2
4	203378	Gasket	1
5	203377	Leaf Plate	1
	277275	Leaf Plate Assembly	1
6	302042	Check Valve	1
7	302046	Spacer	2
8	302048	Spring	2
9	19-191	Screw	2
10	203379	Gasket	1
11	71-1052	Clip	2
12	203381	Cam Follower	1
13	203384	Pin	1
14	203382	Spring	1
15	376784	Intake Manifold and Stud Assembly	1
16	303922	Bumper	2
17	203286	Hose - Airline	1
18	302647	Clamp	2
19	301822	Clamp	2
20	85-101	Stud	2
21	303437	Gasket	1
22	133451	Screw	6
23	302997	Choke Rod	1
24	375922	Throttle Shaft and Lever	1
25	302996	Spring	1
26	21-163	Cotter Pin	1
27	302430	Screw	1
28	302977	Spring	1
29	27-309	Expansion Plug	1
30	303477	Throttle Valve	1
31	41-110	Pin	2
32	203383	Link	1
33	376725	Throttle Arm and Screw	1
34	304572	Screw	1
35	303049	Cotter Pin	1
36	303048	Washer	1
37	19-136	Nut	2
38	376248	Carburetor Body, Plug and Throttle Valve	1
	376685	Carburetor Complete	1

ITEM NO.	PART NO.	NAME OF PART	QTY. PER MOTOR
39	375921	Choke Shaft and Lever	1
40	303760	Screw	2
41	303709	Choke Valve	1
42	302984	Gasket	1
43	303478	Nozzle	1
44	301996	Gasket	1
45	375985	Float Valve, Seat and Gasket Assembly	1
46	375919	Float and Float Arm	1
47	300096	Hinge Pin	1
48	302994	Gasket	1
49	376404	Float Chamber and Nipple	1
50	304518	Stud	1
51	303133	Filter	1
52	304539	Nut	1
53	303122	Gasket	1
54	303121	Filter Bowl	1
55	376231	Filter Yoke Assembly	1
56	303041	Screw - Drain	1
57	71-1589	Screw	5
58	43-123	Packing	4
59	303476	Needle Valve - High Speed	1
60	300179	Nut - High Speed	1
61	303518	Spring	1
62	202065	Washer	1
63	303535	Grommet	1
64	551517	Screw	2
65	303532	Sleeve	1
66	303548	Spring	1
67	303479	Nut - Slow Speed	1
68	203355	Washer	1
69	303448	Needle Valve - Slow Speed	1
70	303171	Hose - Fuel Line	1
71	302124	Screw	2
72	200931	Screw	2
73	203652	Button Plug	1
74	203387	Cover Plate	1
75	277286	Air Silencer Assembly	1
76	305838	Screw	2

ORDER ALL PARTS FROM YOUR JOHNSON SEA-HORSE DEALER

POWERHEAD GROUP

MODEL AD-ADL-12



SPECIFY MODEL AND SERIAL NUMBER OF MOTOR WHEN ORDERING PARTS

PARTS CATALOG

POWERHEAD GROUP

MODEL AD-ADL-12

ITEM NO.	PART NO.	NAME OF PART	QTY. PER MOTOR
* 1	200322	Spark Plug (Champion J6J)	2
* 1	376290	Spark Plug (Auto-Lite A3X)	2
* 1	377245	Spark Plug (AC M44C)	2
2	303459	Screw	10
3	27-309	Core Plug	3
4	277375	Cylinder Head	1
5	203034	Gasket	1
6	202528	Gasket	2
7	202527	Cover	2
8	304890	Screw	8
9	277870	Cylinder and Crankcase Assembly	1
10	204189	Hose - Oil Line	1
11	300399	Washer	4
12	302431	Screw	2
13	552499	Washer	2
14	203681	Screw	2
15	71-1084	Screw	2
16	300402	Taper Pin	2
17	304314	Gasket	1
18	21-167	Screw	7
19	202580	Gasket	1
20	203020	Baffle Plate	1
21	203374	Exhaust Cover	1
22	21-167	Screw	7
23	304889	Screw	9
24	304693	Clamp	1
25	132346	Screw - Long	1
26	510193	Screw	2
27	303109	Bearing Clamp	1
28	203710	Lever	1
29	304155	Pin	1
30	304296	Grommet	1
31	304442	Screw	4
32	303278	Support	1
33	303277	Retaining Ring	1
34	510168	Cam	1
35	41-362	Oil Slinger	1
36	120395	Flywheel Key	1
37	203375	Crankshaft	1
38	43-44	Screw	4
39	41-17	Lockplate	4
40	203319	Dowel	4
41	277401	Connecting Rod	2
42	376989	Piston, Dowel Pin and Retaining Ring	2
	276789	Piston and Connecting Rod Assembly	2
43	202522	Piston Pin	2
44	120325	Spring Ring	4
45	202524	Piston Ring	6
46	43-302	Washer	10
47	305609	Bearing Clamp	1
48	303473	Clamp	2
49	303423	Nipple	2

* We recommend either Champion, Auto-Lite or AC Spark Plug

NOTE

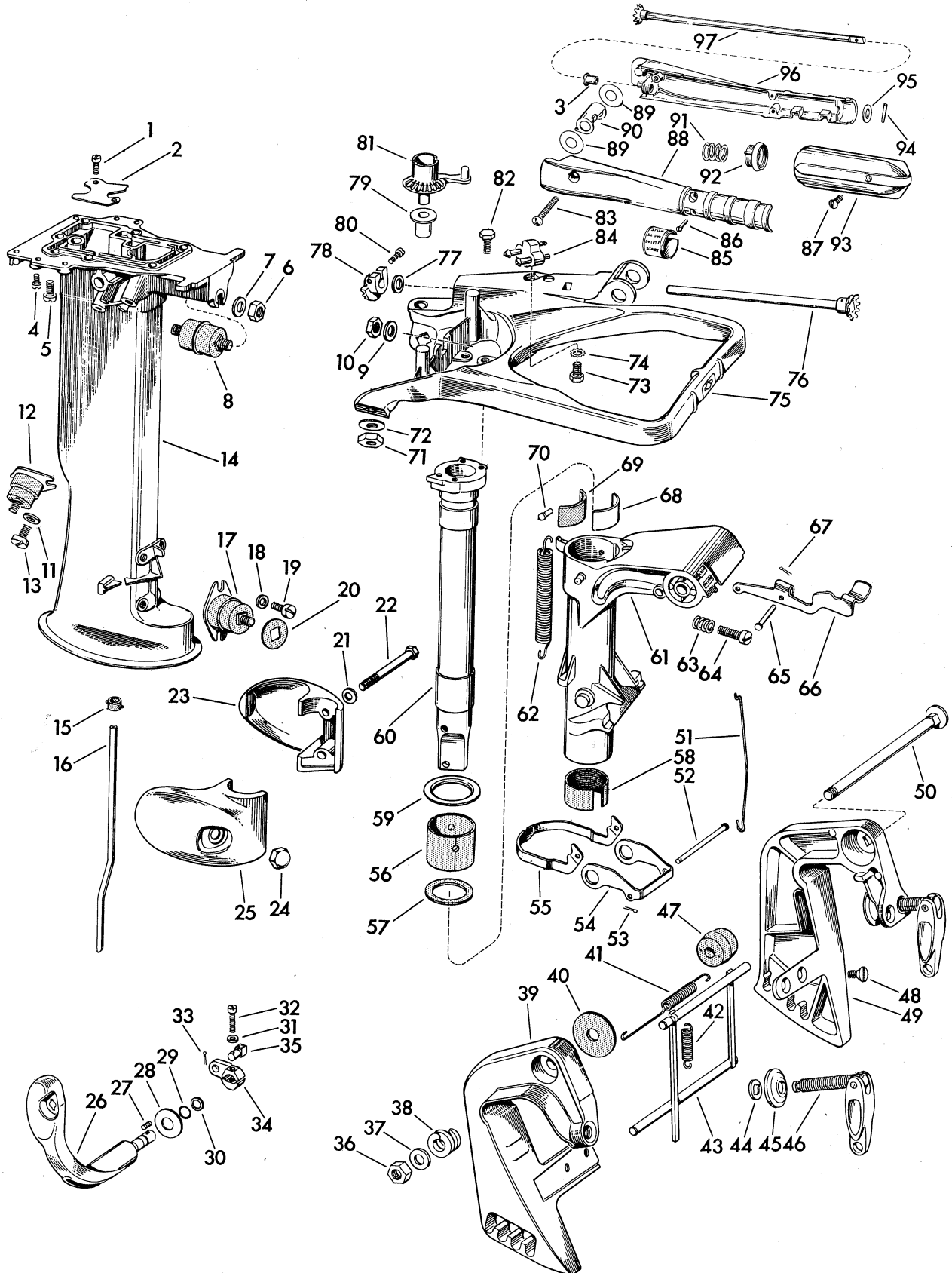
Power Head Gasket Set (less Cyl. Head Gasket)
Part No. 376705

ORDER ALL PARTS FROM YOUR JOHNSON SEA-HORSE DEALER

LOWER UNIT GROUP

MODEL AD-ADL-12

Johnson



SPECIFY MODEL AND SERIAL NUMBER OF MOTOR WHEN ORDERING PARTS

PARTS CATALOG

LOWER UNIT GROUP

MODEL AD-ADL-12

ITEM NO.	PART NO.	NAME OF PART	QTY. PER MOTOR
1	303393	Screw	2
2	304304	Cover Plate	1
3	305100	Bushing	1
4	304012	Screw	6
5	21-167	Screw	7
6	303889	Nut	4
7	303884	Washer	2
8	303880	Rubber Mount - Upper - Front	1
9	303884	Washer	2
10	303889	Nut	4
11	303887	Washer	8
12	303879	Rubber Mount - Upper and Lower Side	4
13	302416	Screw	4
14	376779	Exhaust Housing and Cover Assembly	1
15	302497	Grommet	2
16	304317	Water Tube	1
17	303879	Rubber Mount - Upper and Lower Side	4
18	303887	Washer	8
19	39-176	Screw	4
20	304168	Gasket	2
21	39-17	Washer	2
22	304299	Screw	2
23	305554	Housing - Port	1
24	303890	Acorn Nut	2
25	305555	Housing - Starboard	1
26	376490	Shift Lever Assembly	1
27	303236	Spring	1
28	303775	Washer	1
29	303191	O-Ring	1
30	303864	Washer	1
31	303715	Washer	1
32	303714	Screw	1
33	15-268	Cotter Pin	3
34	376922	Lever	1
35	303702	Connector	1
36	17-182	Nut	1
37	25-196	Washer	1
38	302051	Spring	1
39	376493	Stern Bracket Assembly - Starboard	1
40	304278	Washer	1
41	304283	Spring	1
42	202021	Spring	1
43	376505	Tilting Lever Assembly	1
44	302420	Retainer	2
45	41-48	Swivel Plate	2
46	375744	Clamp Screw Assembly	2
47	301983	Conical Washer	1
48	303396	Screw	2
49	376494	Stern Bracket Assembly - Port	1
50	304277	Tilt Bolt	1
51	303978	Link	1
52	303949	Rod	1

ITEM NO.	PART NO.	NAME OF PART	QTY. PER MOTOR
53	15-268	Cotter Pin	3
54	303950	Link	1
55	303948	Locking Lever	1
56	303370	Liner - Upper	1
57	304289	Thrust Washer	1
58	303371	Shock Absorber	1
59	304290	Thrust Washer	1
60	304293	Pilot Shaft	1
61	304291	Swivel Bracket	1
62	304282	Spring	1
63	551113	Spring	1
64	132679	Screw	1
65	303930	Pivot Shaft	1
66	304279	Arm	1
67	303049	Cotter Pin	2
68	303363	Plate	1
69	303697	Spacer	1
70	303696	Pin	1
71	303889	Nut	4
72	304376	Washer	2
73	21-359	Screw	1
74	51-137	Lockwasher	1
75	377277	Steering Bracket and Bushing Assembly	1
76	376689	Gear and Shaft Assembly - Short	1
77	303107	Washer	1
78	303142	Pinion	1
79	303140	Bushing	1
80	71-1352	Screw	1
81	304298	Gear	1
82	304027	Screw	4
83	303078	Screw	1
84	375788	Fuel Connector Assembly	1
85	203260	Plate	1
86	133452	Screw	2
87	305001	Screw	1
88	303093	Steering Handle - Inner	1
89	303079	Washer	2
90	303096	Cover	1
91	301656	Spring	1
92	303282	Friction Block	1
93	304778	Grip	1
94	300346	Pin	1
95	303252	Washer	1
96	376042	Steering Handle and Bushing - Outer	1
97	376691	Gear and Shaft Assembly - Long	1
MODEL ADL-12 PARTS THAT DIFFER FROM AD-12			
16	304318	Water Tube	1

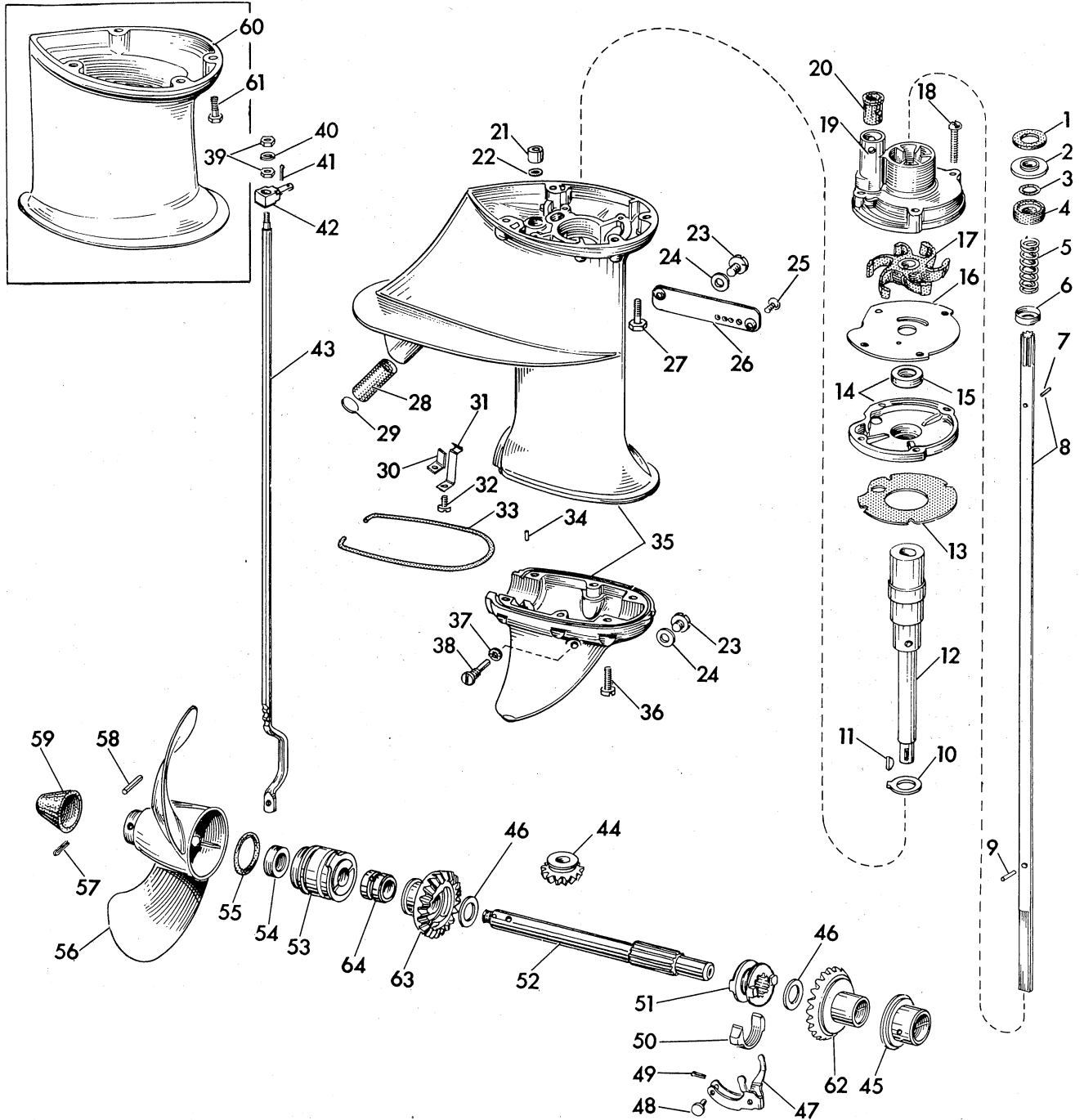
See Page 13 for additional Model ADL-12 parts and Extension Kit

ORDER ALL PARTS FROM YOUR JOHNSON SEA-HORSE DEALER

GEAR CASE GROUP

MODEL AD-ADL-12

Johnson



SPECIFY MODEL AND SERIAL NUMBER OF MOTOR WHEN ORDERING PARTS

PARTS CATALOG

GEAR CASE GROUP

MODEL AD-ADL-12

ITEM NO.	PART NO.	NAME OF PART	QTY. PER MOTOR
1	303355	Gasket	1
2	303356	Plate	1
3	303347	O-Ring	1
4	303391	Seal	1
5	303357	Spring	1
6	303327	Washer	1
7	303261	Pin	1
8	376787	Driveshaft and Pin	1
9	300771	Pin	1
10	304170	Thrust Washer	1
11	305720	Key	1
12	376073	Pinion Shaft and Shock Absorber Assembly	1
13	303339	Gasket	1
14	376074	Bearing Housing and Bearing Assembly	1
15	300599	Seal	1
16	303376	Plate	1
17	277181	Impeller Assembly	1
18	303395	Screw	4
19	303442	Impeller Housing	1
20	302497	Grommet	2
21	303332	Bushing	1
22	301877	O-Ring	1
23	27-283	Plug	2
24	27-284	Gasket	2
25	302681	Screw	2
26	304579	Cover	1
27	302325	Screw	4
28	303331	Screen	2
29	300314	Plug	2
30	303700	Spring	1
31	303466	Spring	1
32	43-147	Screw	1
33	303328	Seal	1
34	300611	Dowel Pin	1
35	376775	Gearcase, Bushing and Pin Assembly	1
36	304071	Screw	6

ITEM NO.	PART NO.	NAME OF PART	QTY. PER MOTOR
37	304083	Washer	1
38	303358	Pivot Pin	1
39	85-64	Nut	2
40	303701	Lockwasher	1
41	15-268	Cotter Pin	3
42	303702	Connector	1
43	303401	Shift Rod - Lower	1
44	304009	Pinion Gear	1
45	303380	Bearing	1
46	303361	Thrust Washer	2
47	303340	Lever	1
48	302504	Pin	1
49	15-268	Cotter Pin	2
50	303381	Cradle	1
51	305214	Shift Clutch Dog Assembly	1
52	305215	Propeller Shaft	1
53	376776	Gearcase Head and Bearing Assembly	1
54	303345	Seal	1
55	303360	O-Ring	1
56	277650	Propeller	1
57	13-332	Cotter Pin	1
58	302333	Drive Pin	1
59	303365	Rubber Cap	1
62	377152	Gear and Bushing Assembly - Front	1
63	305216	Gear - Rear Reversing	1
64	303998	Bushing - Rear Reversing	1
MODEL ADL-12 PARTS THAT DIFFER FROM MODEL AD-12			
8	376788	Driveshaft and Pin (ADL)	1
43	303666	Shift Rod - Lower (ADL)	1
60	303672	Gearcase Extension (ADL)	1
61	302325	Screw (ADL)	4

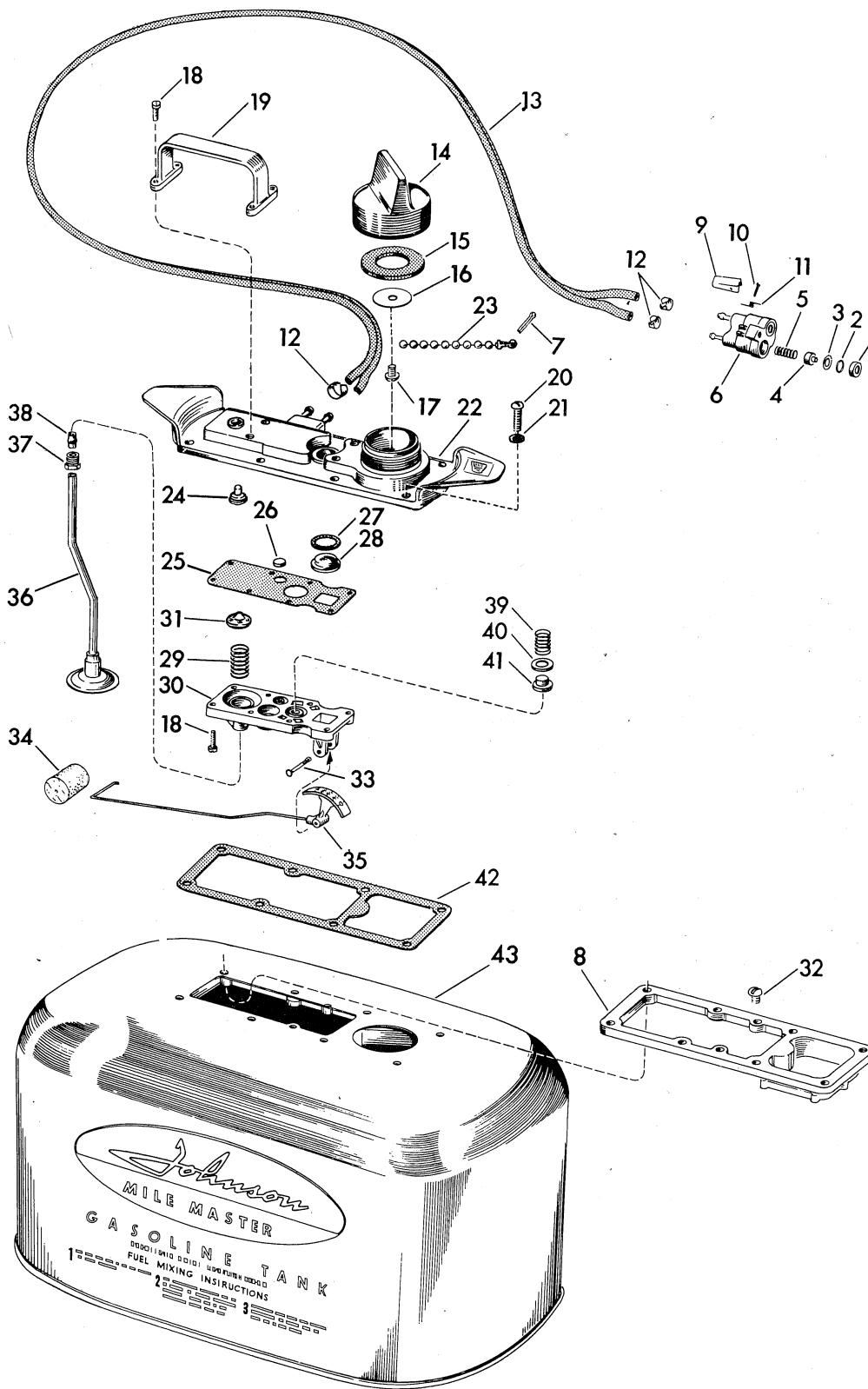
See Page 11 for additional Model ADL-12

Part No. 377466 Extension Kit -
For Conversion Of Standard Model AD-12 To Long Model ADL-12

ORDER ALL PARTS FROM YOUR JOHNSON SEA-HORSE DEALER

FUEL TANK GROUP

MODEL AD-ADL-12



SPECIFY MODEL AND SERIAL NUMBER OF MOTOR WHEN ORDERING PARTS

PARTS CATALOG

FUEL TANK GROUP

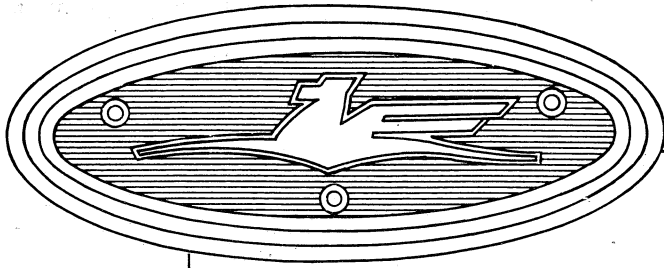
MODEL AD-ADL-12

ITEM NO.	PART NO.	NAME OF PART	QTY. PER MOTOR
1	301828	Retainer	2
2	301824	O-Ring	2
3	301827	Washer	2
4	301826	Valve	2
5	301825	Spring	2
6	375587	Fuel Connector Assembly	1
7	15-213	Cotter Pin	1
8	305356	Housing Support	1
9	301830	Lock	1
10	301832	Rivet	1
11	301829	Spring	1
12	301822	Clamp	4
13	305744	Hose	1
14	375817	Filler Cap Assembly	1
15	301835	Gasket	1
16	302560	Plate	1
17	301837	Screw	1
18	13-558	Screw	12
19	302570	Handle	1
20	304137	Screw	8
21	301814	Gasket	8
22	376986	Housing Assembly - Upper	1
23	301838	Chain	1
24	305713	Push Button	1
25	305715	Diaphragm	1
26	301802	Disc Valve	1
27	302571	Seal	1
28	302568	Glass	1
29	301803	Spring	1
30	302555	Housing - Lower	1
31	305714	Support - Plate	1
32	53-85	Screw	2
33	305821	Hinge Pin	1
34	302559	Float	1
35	376192	Indicator Assembly	1
36	376587	Foot Valve, Gland and Nut Assembly	1
37	132691	Nut	1
38	13-304	Gland	1
39	302135	Spring	1
40	302137	Washer	1
41	302136	Valve	1
42	302557	Gasket	1
43	{376586	Fuel Tank (Only)	1
	{377330	Fuel Tank Assembly Complete	1

NOTE

Mile Master Tank Gasket Set
Part No. 376455
Mile Master Transfer Set
Part No. 377246

ORDER ALL PARTS FROM YOUR JOHNSON SEA-HORSE DEALER



WARRANTY

We warrant each new outboard motor of our manufacture to be free from defects in material and workmanship under normal use and service, our obligation under this warranty being limited to making good at the factory any part or parts thereof which shall, within three months after initial use, or within one year from date of original purchase, whichever first occurs, be returned to us with transportation charges prepaid, and which our examination shall disclose to our satisfaction to have been thus defective; this warranty being expressly in lieu of all other warranties and representations expressed or implied and of all other liabilities in connection with the sale or use of any motors.

This warranty shall not apply to any motor which shall have been repaired or altered outside the factory in any way so as to affect its stability, nor which has been subject to misuse, negligence or accident, or operated for racing purposes or operated in any other way than in accordance with our operating instructions. Nor does the warranty extend to repairs made necessary, by the use of inferior parts or accessories, or by the use of types of accessories not recommended by Johnson Motors.

We make no warranty in respect to trade accessories not of our manufacture, inasmuch as they are usually warranted separately by their respective manufacturers.

To make a claim under this warranty, contact the authorized Johnson dealer from whom motor was originally purchased or the nearest authorized Johnson dealer. Motors or parts thereof shipped to the factory for our inspection must show model and serial numbers, and must be shipped transportation charges prepaid.

JOHNSON MOTORS ● WAUKEGAN, ILLINOIS ● U.S.A.