

1962

Johnson

PARTS CATALOG



SEA-HORSE MODELS

**JW-JWL-17
JW-JWL-17C
JW-JWL-17S**

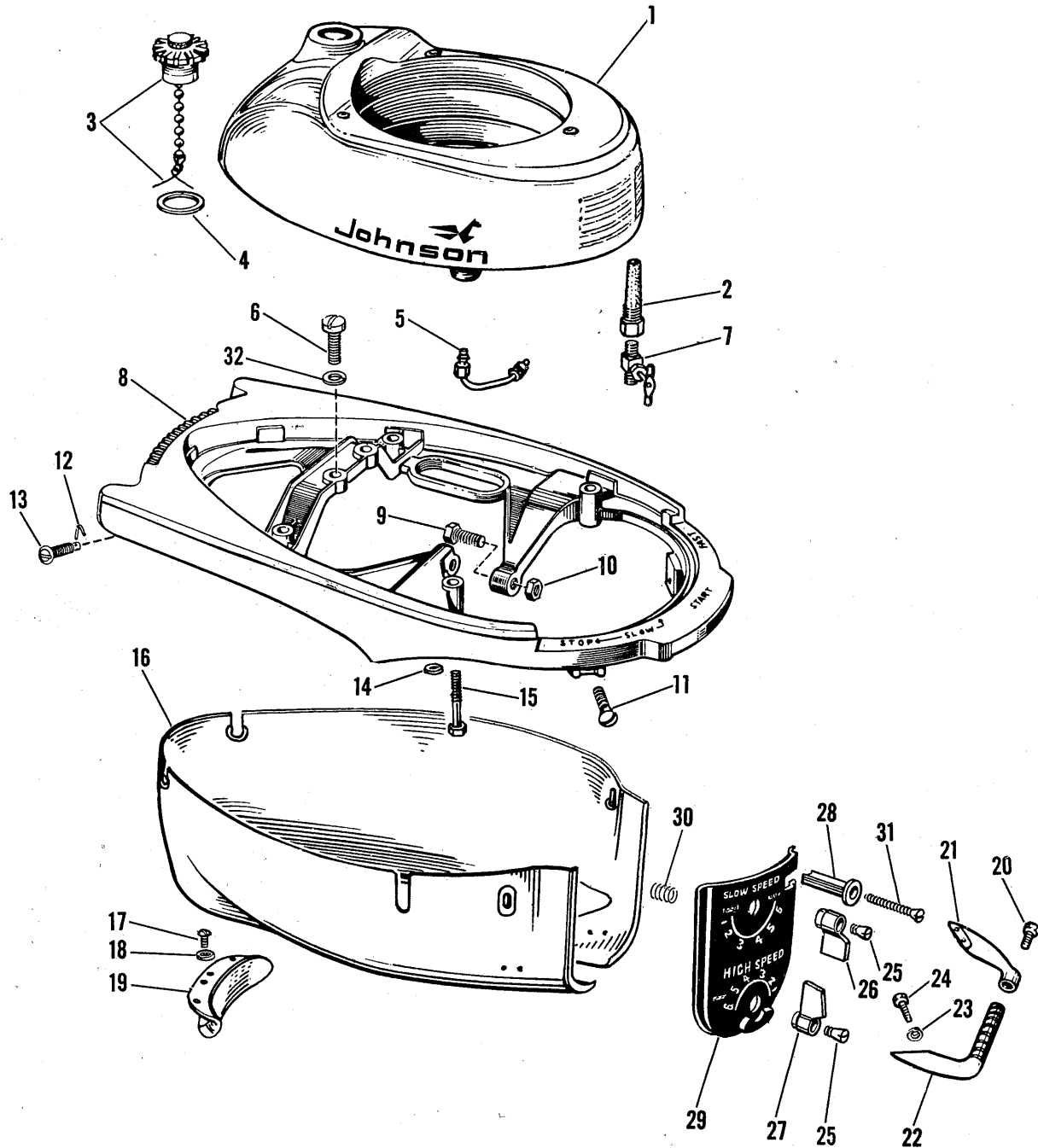


**MOTOR COVER
GROUP**



JOHNSON MOTORS

1962



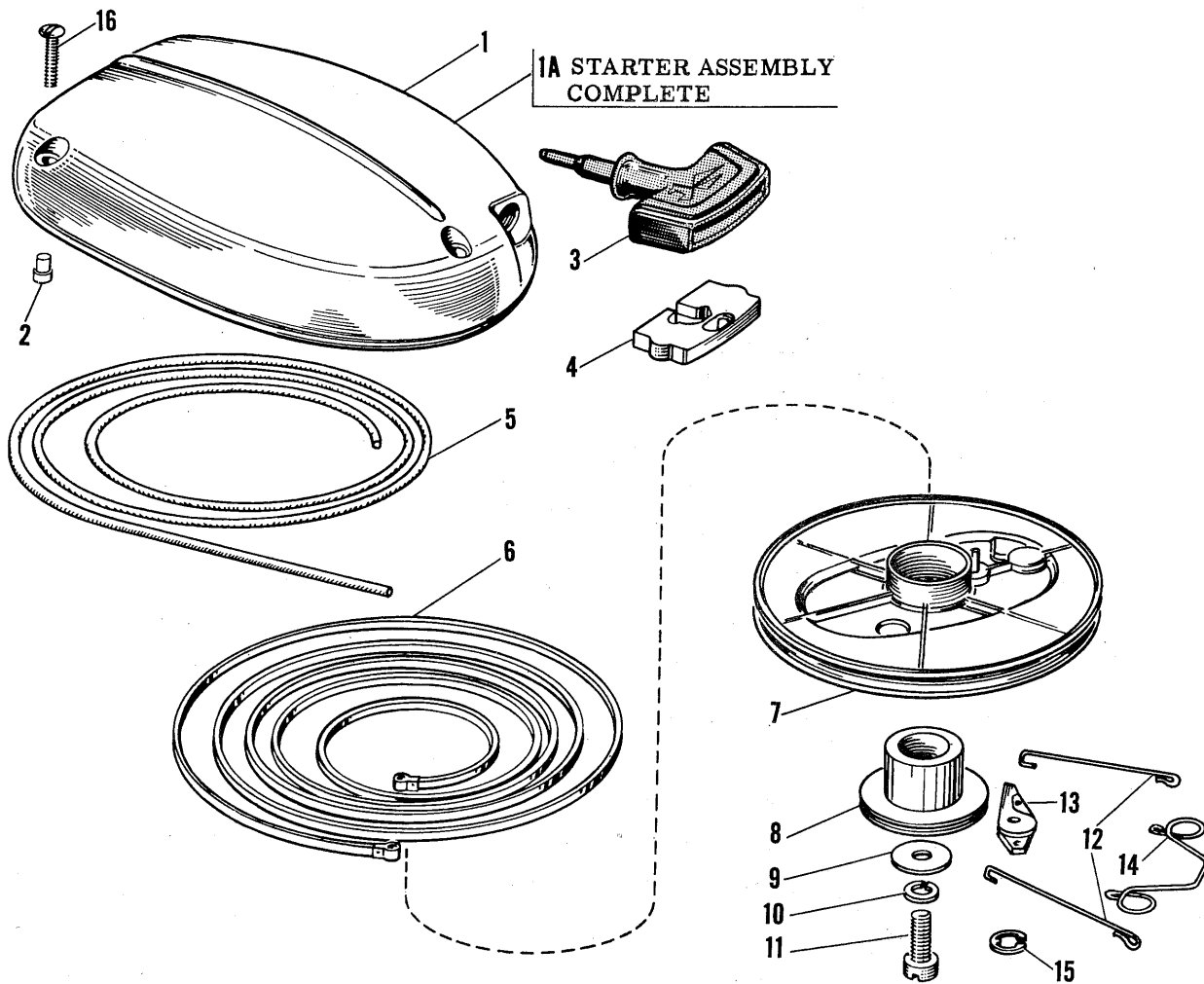
SPECIFY MODEL AND SERIAL NUMBER OF MOTOR WHEN ORDERING PARTS

ITEM NO.	PART NO.	NAME OF PART	QTY.	BIN NO.
1	378497	Fuel Tank, Decal, & Filter Assembly	1	_____
2	277187	. Filter Assembly	1	_____
3	375514	Filter Cap Assembly	1	_____
4	307538	. Gasket	1	_____
5	375972	Fuel Line Assembly	1	_____
6	304607	Screw	2	_____
7	300612	Shut Off Valve	1	_____
8	377596	Mounting Plate & Decal Assembly	1	_____
9	300635	Screw	2	_____
10	306397	Nut	2	_____
11	300290	Screw	2	_____
12	307565	Pin	2	_____
13	300616	Screw	2	_____
14	306396	Lockwasher	4	_____
15	303459	Screw	4	_____
16	377831	Motor Cover and Handle Assembly Complete	1	_____
17	306460	. Screw	4	_____
18	306311	. Lockwasher	4	_____
19	301727	. Handle - Back	1	_____
20	306446	. Screw	1	_____
21	304872	. Carrying Handle - Front - Port	1	_____
22	304873	. Carrying Handle - Front - Starboard	1	_____
23	510150	. Washer	4	_____
24	304012	. Screw	4	_____
25	551517	Screw	2	_____
26	377592	Adjusting Lever - Slow Speed	1	_____
27	377593	Adjusting Lever - High Speed	1	_____
28	306111	Choke Knob	1	_____
29	377595	Control Panel & Decal Assembly	1	_____
30	302993	Spring	2	_____
31	303060	Screw	1	_____
32	306488	Lockwasher	2	_____

Indented part names indicate that these parts are included in preceding assemblies.

NOTE

Decal Assembly
Part No. 378502

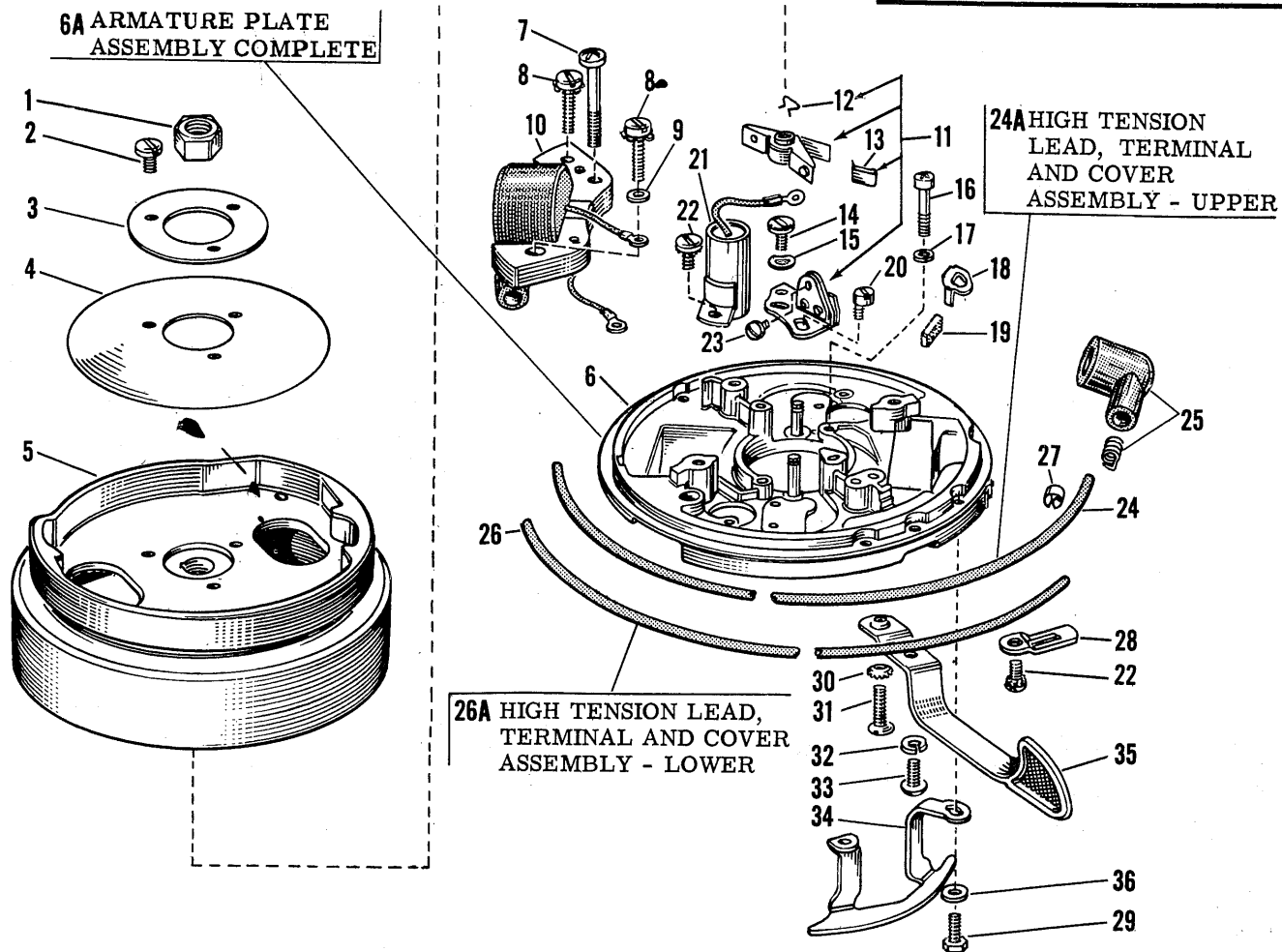


ITEM NO.	PART NO.	NAME OF PART	QTY.	BIN NO.
1A	377848	Starter Assembly Complete	1	
1	377594	. Starter Housing & Guide Pin Assembly	1	
2	304500	. . Guide Pin	2	
3	306152	. Handle	1	
4	304323	. Anchor	1	
*5	203819	. Rope - Length 66-3/4 Inches	1	
6	307573	. Spring	1	
7	376645	. Starter Pulley and Pin	1	
8	203699	. Spindle	1	
9	202356	. Washer	1	
10	306339	. Lockwasher	1	
11	131991	. Screw	1	
12	203700	. Link	2	
13	203698	. Pawl	1	
14	203697	. Friction Spring	1	
15	203470	. Retaining Ring	1	
16	300633	Screw	3	

Indented part names indicate that these parts are included in preceding assemblies.

*Order by Part No. and length.

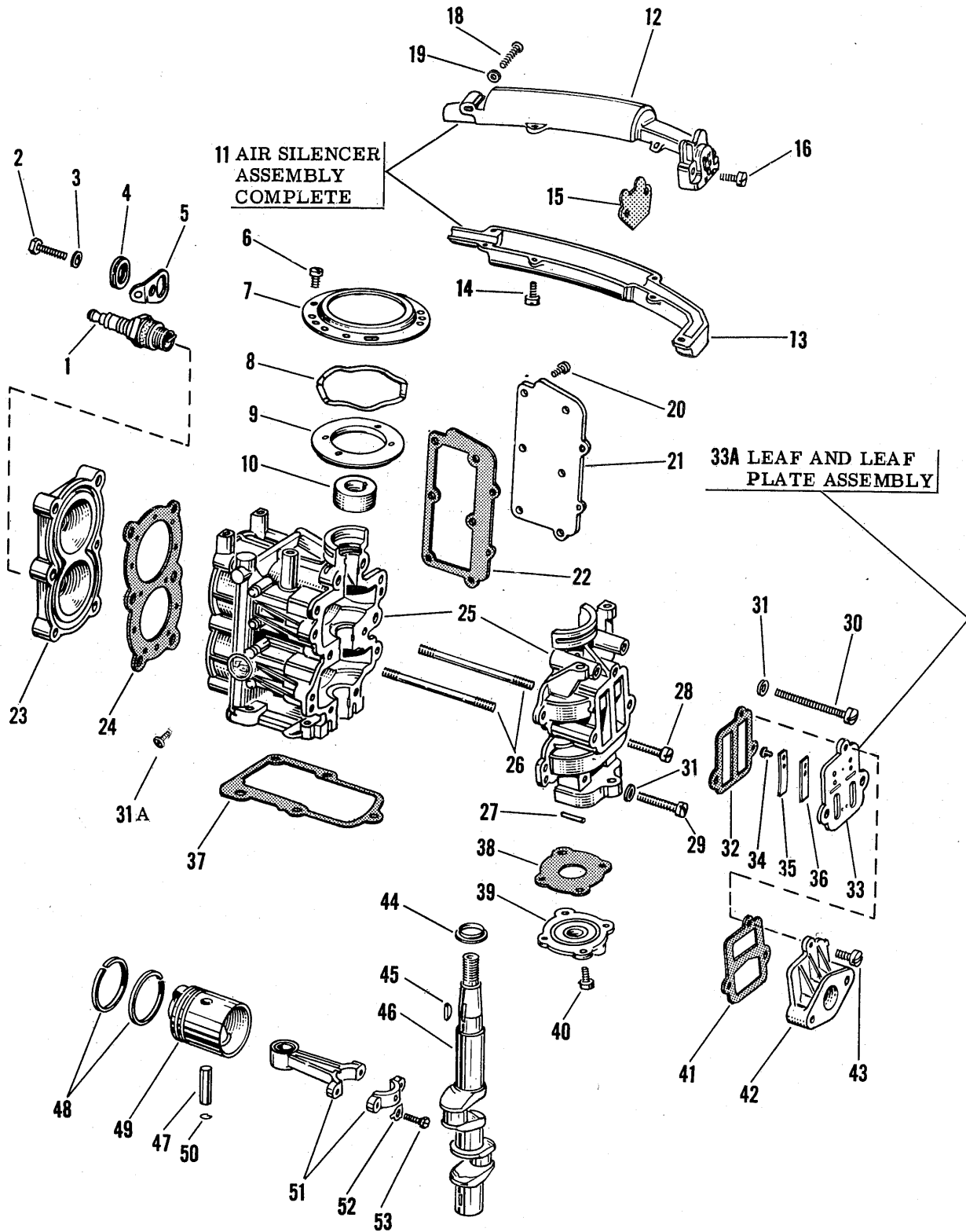
SPECIFY MODEL AND SERIAL NUMBER OF MOTOR WHEN ORDERING PARTS



ITEM NO.	PART NO.	NAME OF PART	QTY.	BIN NO.	ITEM NO.	PART NO.	NAME OF PART	QTY.	BIN NO.
1	130743	Nut	1		21	580321	. Condenser	2	
2	304512	Screw	3		22	510193	. Screws - Sems	4	
3	304513	Plate	1		23	510194	. Screw	2	
4	203703	Cover	1		24A	580142	. High Tension Lead Assembly - Upper	1	
5	580188	Flywheel Assembly	1		24	510201	. . High Tension Lead - Upper	1	
6A	580185	Armature Plate Assembly Complete	1		25	580339	. . Rubber Cover & Terminal	1	
6	580121	. Armature Plate & Post Assembly	1		26A	580186	. High Tension Lead Assembly - Lower	1	
7	510191	. Screw - Phillips Hd.	2		26	510239	. . High Tension Lead - Lower	1	
8	510397	. Screw - Sems	4		25	580339	. . Rubber Cover & Terminal	1	
9	306547	. Washer	2		27	120783	. Marker	1	
10	580416	. Coil & Lamination Assembly	2		28	510190	. Clamp	2	
11	580148	. Breaker Points Assembly Complete	2		29	302750	Screw	2	
12	307594	. . Spring Clip	2		30	306528	Washer	1	
13	510204	. . Clip	2		31	306532	Screw	1	
14	510278	. Screw	2		32	306311	Lockwasher	1	
15	510208	. Bow Washer	2		33	306460	Screw	1	
16	510192	. Screw - Phillips Hd.	2		34	203147	Cam	1	
17	306311	. Lockwasher	2		35	375741	Timing Lever	1	
18	510188	. Oiler Clip	1		36	300154	Washer	2	
19	510189	. Oiler Wick	1						
20	510185	. Eccentric Screw	2						

Indented part names indicate that these parts are included in preceding assemblies.

ORDER ALL PARTS FROM YOUR JOHNSON SEA-HORSE DEALER



SPECIFY MODEL AND SERIAL NUMBER OF MOTOR WHEN ORDERING PARTS

ITEM NO.	PART NO.	NAME OF PART	QTY.	BIN NO.	ITEM NO.	PART NO.	NAME OF PART	QTY.	BIN NO.
*1	378101	Spark Plug (Champion J4J)	2		27	300402	. Taper Pin	2	
*1	378368	Spark Plug (Auto-Lite A21X)	2		28	306408	. Screw - Short	4	
*1	378320	Spark Plug (AC M42K)	2		29	306440	. Screw - Medium	2	
2	306418	Screw	6		30	306455	. Screw - Long	2	
3	306482	Washer	6		31	300399	. Washer	4	
4	300454	Grommet	1		31A	307272	. Screw Plug	1	
5	300455	Anchor	1		32	203180	Gasket	1	
6	306469	Screw	3		33A	277174	Leaf Plate Assembly	1	
7	302599	Support	1		33	203174	. Leaf Plate	1	
8	552029	Wave Washer	1		34	303764	. Screw	4	
9	302442	Retainer	1		35	203173	. Plate	2	
10	510167	Cam	1		36	203175	. Leaf	2	
11	277199	Air - Silencer Assembly Complete	1		37	203160	Gasket	1	
12	203224	. Air Silencer - Upper Half	1		38	203161	Gasket	1	
13	203225	. Air - Silencer - Lower Half	1		39	203145	Inner Flange	1	
14	306417	. Screw	7		40	304889	Screw	4	
15	203320	. Screen	1		41	203228	Gasket	1	
16	305829	Screw	2		42	203144	Manifold	1	
18	132123	Screw	1		43	304889	Screw	1	
19	300154	Washer	1		44	301781	Oil Slinger	1	
20	306478	Screw	7		45	120395	Key	1	
21	203172	Plate	1		46	203177	Crankshaft	1	
22	203171	Gasket	1		47	203151	Wrist Pin	2	
23	203176	Cylinder Head	1		48	486277	Piston Ring Set	1	
24	203130	Gasket	1		48	486296	Piston Ring Set .020" O.S.	1	
25	379012	Cylinder & Crankcase Assembly	1		49	376991	Piston, Dowel Pin and Retaining Ring	2	
26	203159	. Stud	2		49	277283	Piston & Dowel Pin .020" O.S.	2	
					50	120960	. Retaining Ring	4	
					51	277301	Connecting Rod Assembly	2	
					52	307578	. Lock Plate	4	
					53	307582	. Screw	4	

Indented part names indicate that these parts are included in preceding assemblies.

* We recommend either Champion, Auto-Lite or AC Spark Plugs

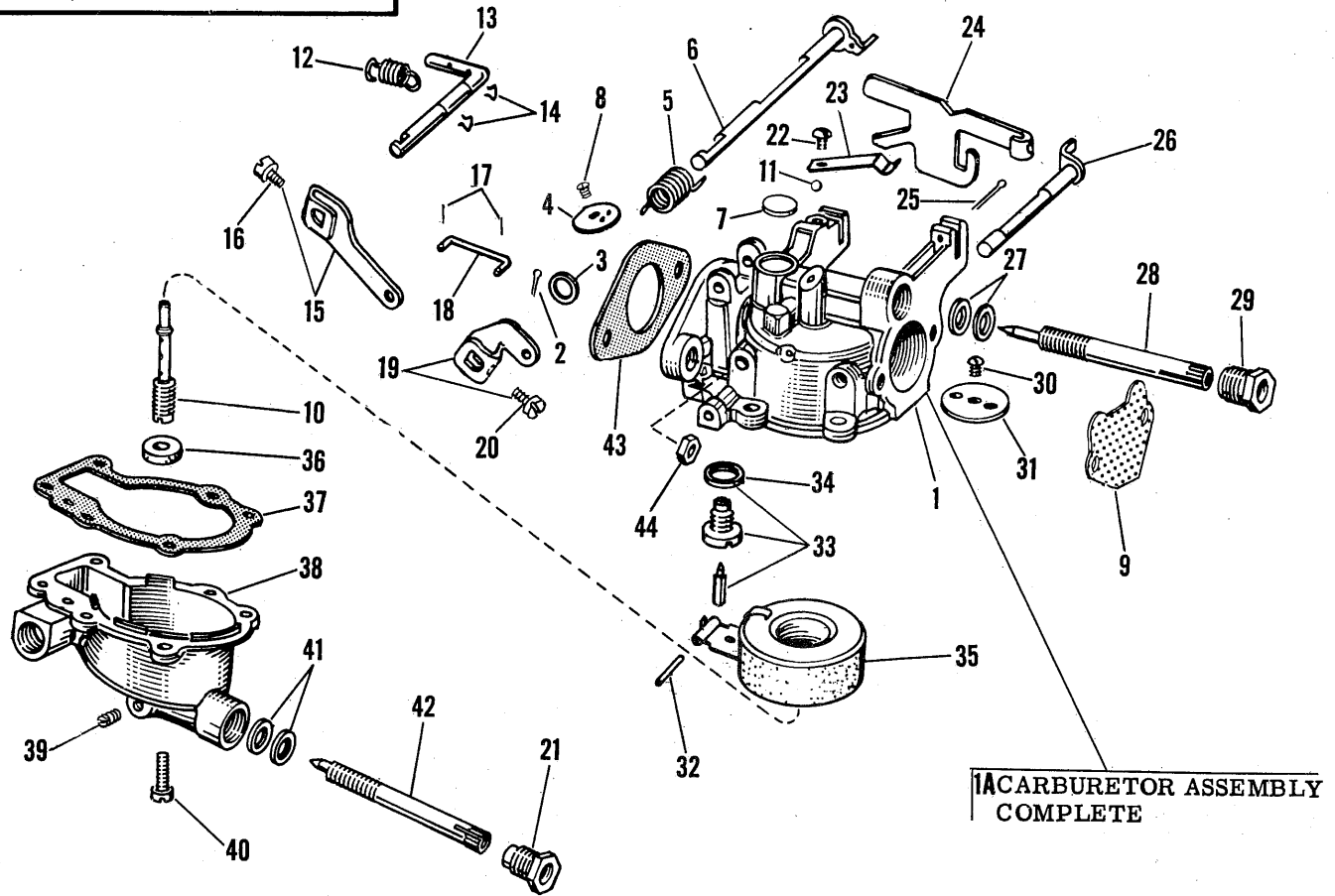
NOTE

Power Head Gasket Set (less Cyl. Head Gasket)
Part No. 376447

CARBURETOR GROUP

JOHNSON MOTORS

1962



ITEM NO.	PART NO.	NAME OF PART	QTY.	BIN NO.	ITEM NO.	PART NO.	NAME OF PART	QTY.	BIN NO.
1A	376977	Carburetor Assembly Complete	1		21	300179	. Nut	1	
1	376978	. Carburetor Body, Nozzle & Valve Assembly	1		22	302430	. Screw	1	
2	303049	. . Cotter Pin	1		23	204405	. Spring	1	
3	303048	. . Washer	1		24	302997	. Choke Rod	1	
4	302983	. . Throttle Valve	1		25	306406	. Cotter Pin	1	
5	302996	. . Spring	1		26	375921	. Choke Shaft & Lever Assembly	1	
6	375922	. . Throttle Shaft & Lever Assembly	1		27	307583	. Packing	2	
7	306442	. . Plug	1		28	302991	. Needle Valve-Slow Speed	1	
8	304038	. . Screw	1		29	300179	. Nut	1	
9	203320	. . Screen	1		30	303760	. Screw	1	
10	304949	. . Nozzle	1		31	302979	. Choke Valve	1	
11	304201	. . Lead Shot	5		32	300096	. Hinge Pin	1	
12	203166	. Spring	1		33	375918	. Float Valve, Seat & Gasket Assembly	1	
13	203162	. Follower	1		34	301996	. . Gasket	1	
14	307594	. Spring Clip	2		35	375919	. Float & Arm Assy.	1	
15	376726	. Cam follower Lever & Screw Assy.	1		36	302984	. Gasket	1	
16	304572	. . Screw	1		37	302994	. Gasket	1	
17	307565	. Pin	2		38	302985	. Float Chamber	1	
18	203164	. Link	1		39	303041	. Screw - Drain	1	
19	376725	. Throttle Arm & Screw Assy.	1		40	307045	. Screw	5	
20	304572	. . Screw	1		41	307583	. Packing	2	
					42	302992	. Needle Valve-High Speed	1	
					43	303003	Gasket	1	
					44	306397	Nut	2	

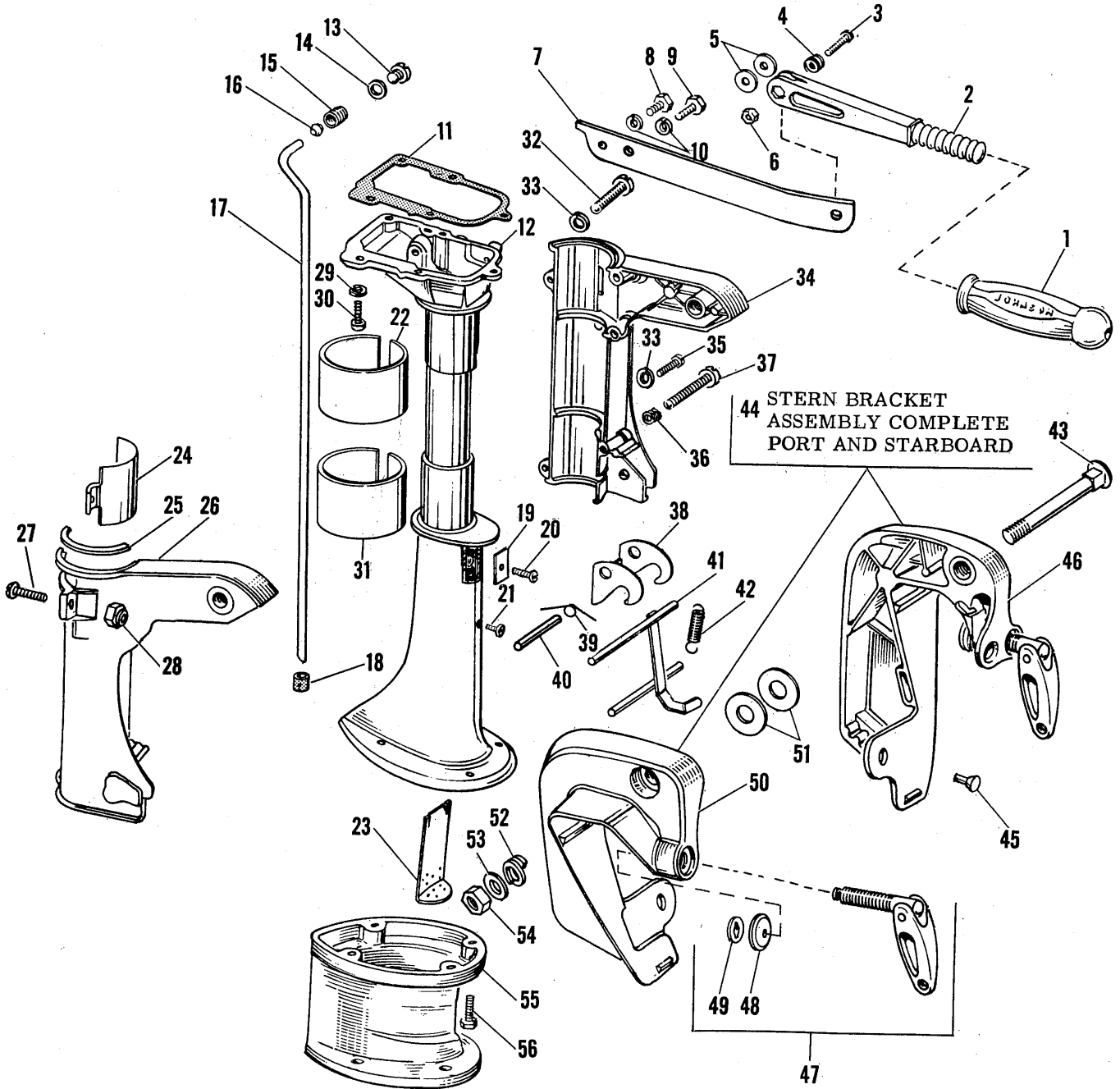
Indented part names indicate that these parts are included in preceding assemblies.

SPECIFY MODEL AND SERIAL NUMBER OF MOTOR WHEN ORDERING PARTS

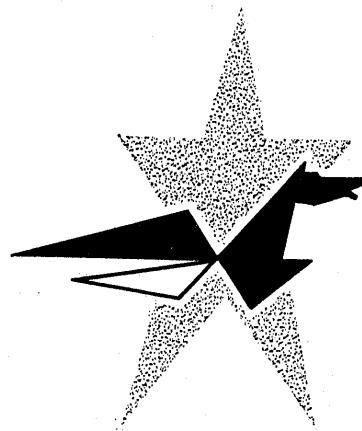
**LOWER UNIT
GROUP**

JOHNSON MOTORS

1962



SPECIFY MODEL AND SERIAL NUMBER OF MOTOR WHEN ORDERING PARTS



Johnson

JOHNSON MOTORS - PETERBOROUGH, CANADA

PART NO. 378821