



EVINRUDE

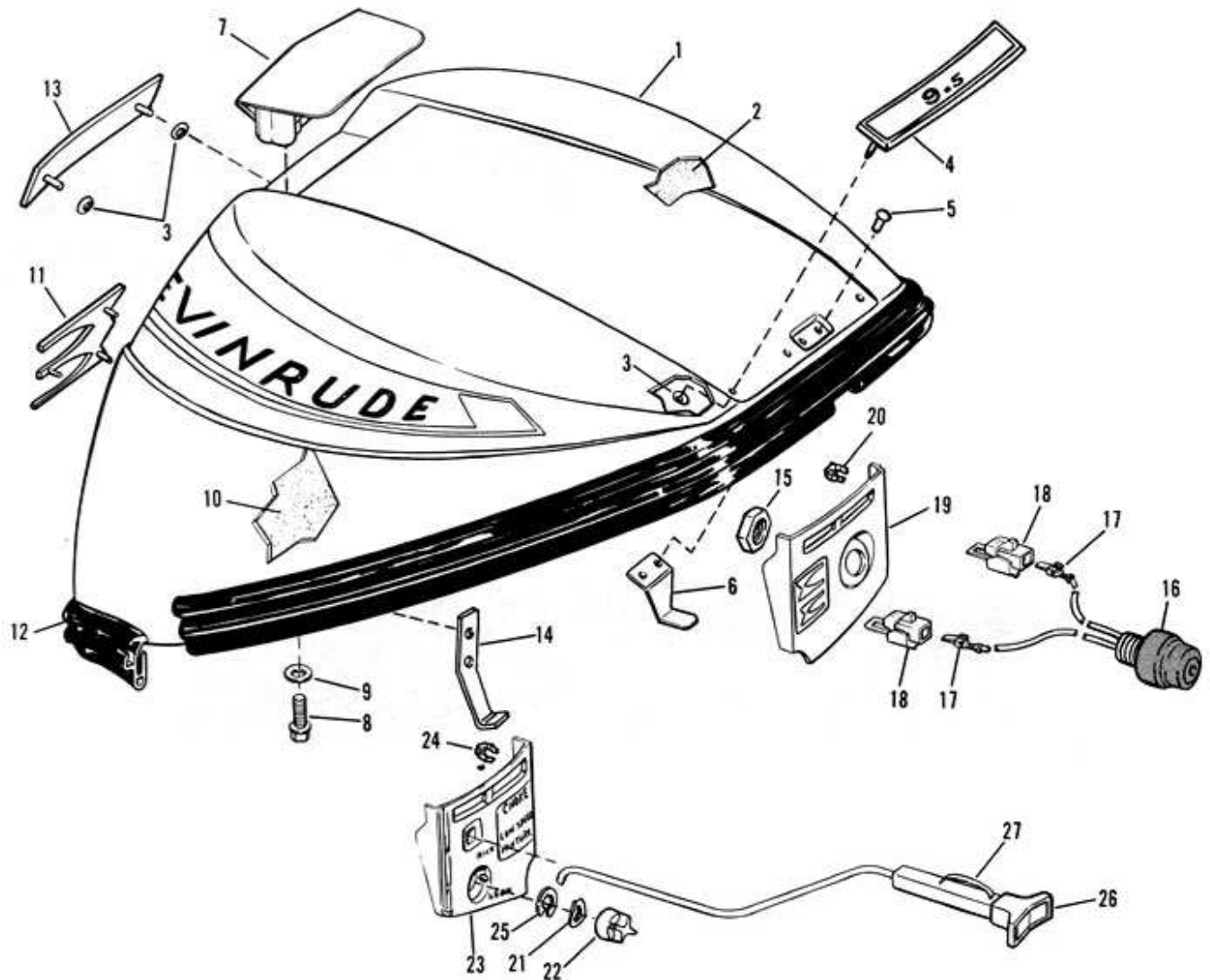
first in outboards

1967 PARTS CATALOG

Sportwin 9.5 hp.

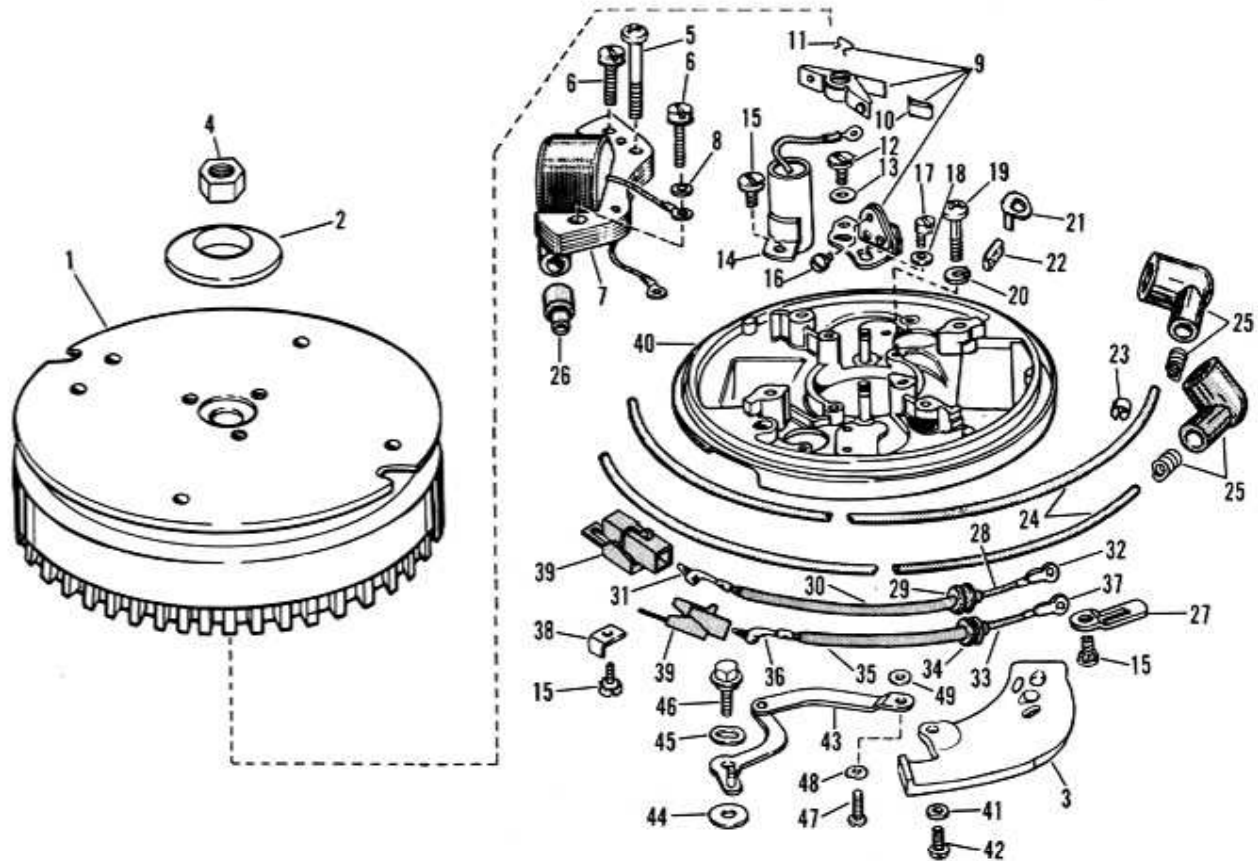
Models 9722B, 9723B

FINAL EDITION
TWENTY-FIVE CENTS PER COPY
PART NO. 278872



REF. NO.	PART NO.	NAME OF PART	QTY. PER ASSY.	REF. NO.	PART NO.	NAME OF PART	QTY. PER ASSY.
1	278802	MOTOR COVER ASSEMBLY .	1	16	379638	SHORTING SWITCH ASSY. . .	1
2	205213	. SOUND BLANKET, Top . . .	1	17	310680	. TERMINAL, Leads	2
3	204476	. FASTENER, Applique	5	18	310572	. HOUSING, Connector	2
4	205783	. APPLIQUE, Front	1	19	278900	PANEL ASSY. PORT	1
5	554355	. RIVET, Hook to cover	4	20	310801	. FASTENER, Panel	4
6	205233	. HOOK, Front	1	21	309750	BOW WASHER, Slow speed shaft	1
7	278755	. TILT HANDLE & SCREW ASSEMBLY	1	22	205231	KNOB, Slow speed adj.	1
8	312299	. . SCREW, Tilt handle	2	23	278901	PANEL ASSY. STARBOARD .	1
9	306407	. WASHER, Tilt handle	2	24	310801	. FASTENER, Panel	4
10	205214	. SOUND BLANKET, Side	1	25	203470	E-RING	1
11	205779	. EMBLEM, Rear	1	26	278788	KNOB & ROD, Choke	1
12	205778	. SEAL, Motor cover	1	27	312482	. SPRING, Choke knob	1
13	205782	. APPLIQUE, Rear	1	*	278889	DECAL SET	1
14	205702	. HOOK, Rear upper	1	*	205789	OWNER'S MANUAL	1
15	310598	NUT, Switch retaining	1	*	379893	ACCESSORY, Remote control adapter kit	1

*Not shown.



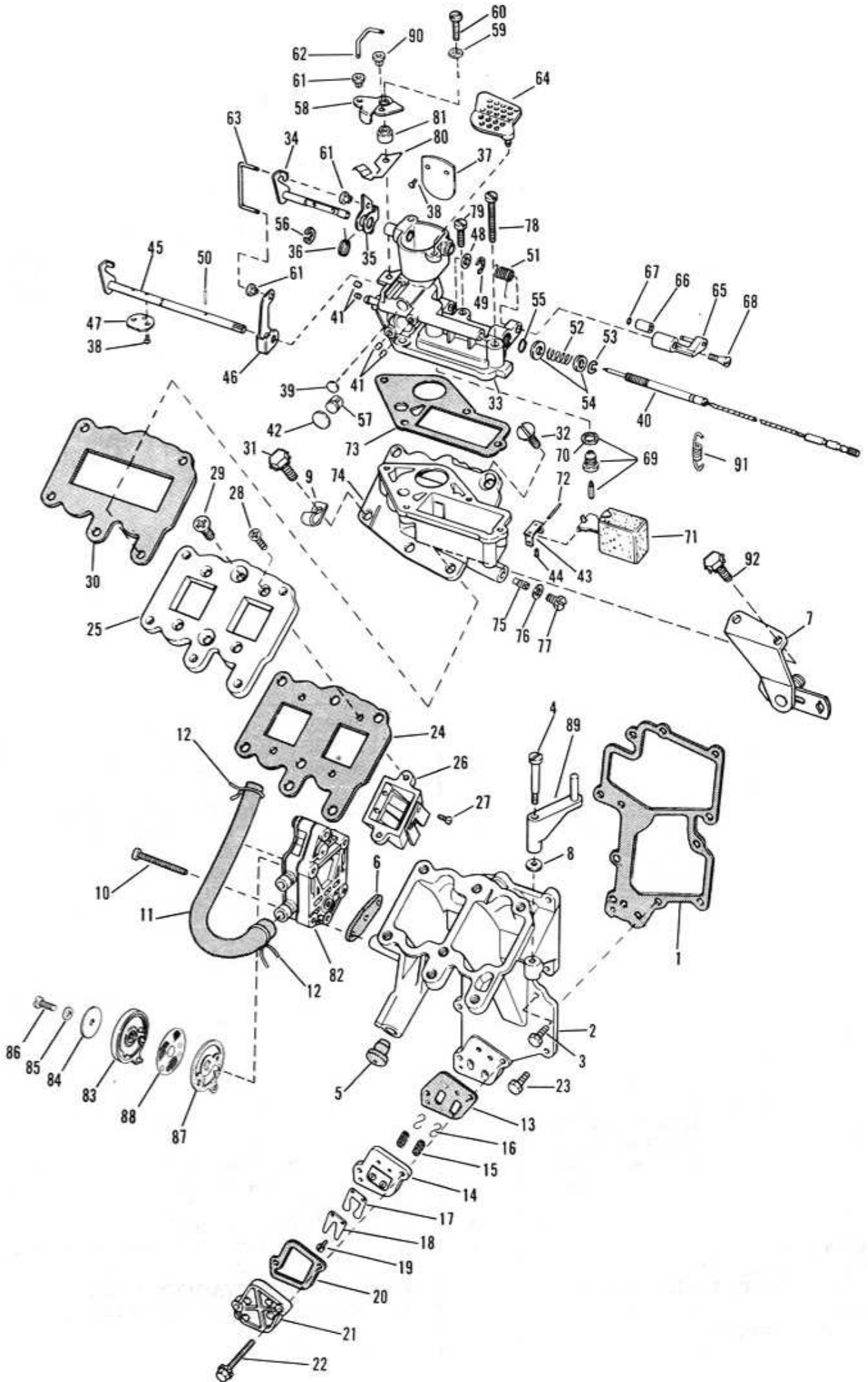
REF. NO.	PART NO.	NAME OF PART	QTY. PER ASSY.	REF. NO.	PART NO.	NAME OF PART	QTY. PER ASSY.
1	580465	FLYWHEEL & COVER ASSY. . .	1	24	510239	. . LEAD, High tension . . .	1
2	311232	. COVER, Flywheel	1	25	580339	. . COVER & TERMINAL . .	1
3	309872	CAM, Throttle control	1	26	510289	. GROMMET, Coil H. T. lead	2
4	301988	NUT, Flywheel	1	27	510190	. CLAMP, H. T. leads	1
*	580561	ARMATURE PLATE ASSY.	1	28	580482	. SHORTING WIRE LEAD ASSEMBLY, Long	1
5	510191	. SCREW, Phillips head	2	29	303364	. . GROMMET, Lead	1
6	510397	. SCREW, Lamination	4	30	309861	. . TUBING, Lead	1
7	580416	. COIL AND LAMINATION	2	31	310680	. . TERMINAL, Connector	1
8	306547	. WASHER, Lamination screw	2	32	71A1063	. . TERMINAL, Ring	1
9	580148	. BREAKER ASSEMBLY	2	33	580483	. SHORTING WIRE LEAD ASSEMBLY, Short	1
10	510204	. . CLIP, Breaker spring	1	34	303364	. . GROMMET, Lead	1
11	307594	. . SPRING CLIP, Rocker arm	1	35	309861	. . TUBING, Lead	1
12	510278	. SCREW, Breaker base	2	36	310680	. . TERMINAL, Connector	1
13	510208	. BOW WASHER	2	37	71A1063	. . TERMINAL, Ring	1
14	580321	. CONDENSER	2	38	309660	. BRACKET, High speed stop	1
15	510193	. SCREW, Condenser and clamp	4	39	310572	. HOUSING, Connector	2
16	510194	. SCREW, Breaker terminal	2	40	580471	. PLATE, Armature	1
17	510185	. SCREW, Eccentric	2	41	303701	LOCKWASHER, Cam screw	2
18	510391	. BOW WASHER, Eccentric	2	42	312944	SCREW, Cam	2
19	310350	. SCREW, Armature plate	2	43	381863	ARM AND LINK	1
20	306311	. LOCKWASHER, Plate screw	2	44	310055	WASHER, Pivot arm	1
21	510188	. OILER CLIP	1	45	310054	BOW WASHER, Pivot arm	1
22	510189	. OILER WICK	1	46	310053	SCREW, Pivot arm to cover	1
23	120783	. BAND, Identification	1	47	309816	SCREW, Link to plate	1
*	580186	. HIGH TENSION LEAD ASSEMBLY	2	48	510412	BOW WASHER, Link screw	1
				49	303715	WASHER, Link to plate	1

*Not shown

INDENTED PART NAMES INDICATE THAT THESE PARTS ARE INCLUDED IN PRECEDING ASSEMBLY

1967 - 9-1/2 HP

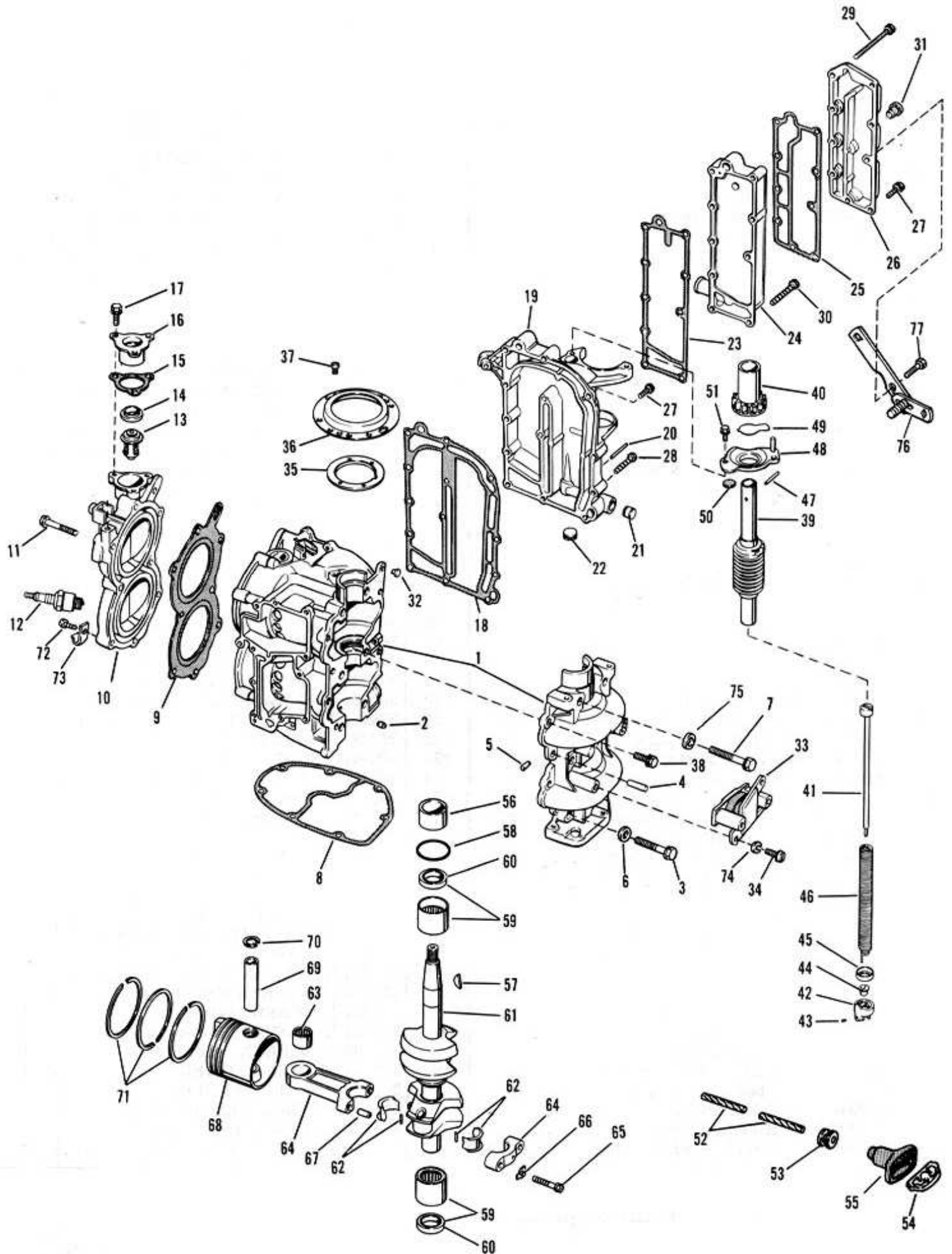
CARBURETOR GROUP



REF. NO.	PART NO.	NAME OF PART	QTY. PER ASSY.	REF. NO.	PART NO.	NAME OF PART	QTY. PER ASSY.
1	309683	GASKET, Manifold to cylinder .	1	45	379153	. . SHAFT & LEVER,	
2	381445	INTAKE MANIFOLD & SCREW ASSEMBLY	1			Throttle	1
3	312472	. SCREW, Manifold	1	46	309647	. . ARM, Throttle	1
4	309720	SCREW, Cam follower	1	47	312908	. . THROTTLE VALVE	1
5	309767	BUMPER, Manifold	1	48	303048	. . WASHER, Throttle shaft . .	1
6	303615	GASKET, Pump to manifold . . .	1	49	309623	. . RETAINER, Throttle shaft	1
7	381826	VIBRATION DAMPENER ASSEMBLY, Stbd.	1	50	305249	. . ROLL PIN, Throttle shaft .	1
8	306015	WASHER, Follower screw	1	51	309782	. . SPRING, Throttle return .	1
9	304790	CLAMP, H.T. leads	1	52	302993	. . SPRING, Slow speed	1
10	310356	SCREW, Fuel pump to manif. . .	2	53	312382	. . RING, Retaining	1
11	203730	HOSE, Fuel pump to carburetor	1	54	300399	. . WASHER	2
12	302647	CLAMP, Hose	2	†55	303598	. . "O" RING, Needle valve . .	1
13	309427	GASKET, Drain plate	1	56	202850	. . RETAINING RING	1
14	379093	DRAIN PLATE & SCREEN ASSEMBLY	1	57	312909	. . FILLER PLUG, Calibration pocket	1
15	310628	. SCREEN, Drain plate	2	58	312145	. . BELLCRANK, Choke detent .	1
16	310629	. SPRING, Screen retaining . .	2	59	306547	. . WASHER, Bellcrank	1
17	302031	VALVE, Leaf, drain	1	60	510195	. . SCREW, Bellcrank	1
18	304655	STOP, Drain leaf valve	1	61	313329	RETAINER, Choke to bellcrank	1
19	303761	SCREW, Valve to plate	2	62	309627	. . LINK, Choke to bellcrank . .	1
20	302032	GASKET, Drain valve cover . . .	1	63	309656	. . LINK, Choke to throttle . . .	1
21	302033	COVER, Drain valve	1	64	309786	. . SCREEN, Carburetor intake .	1
22	309746	SCREW, Cover to manifold	2	65	379195	. . LEVER & PIN	1
23	311750	SCREW, Manifold to cylinder . .	7	66	305232	. . ROLLER, Cam follower	1
24	309657	GASKET, Housing to base	1	67	307529	. . "O" RING, Cam follower . . .	1
25	309659	BASE, Leaf plate	1	68	551517	. . SCREW, Cam follower	1
26	379689	LEAF BLOCK ASSEMBLY	2	†69	379313	. . FLOAT VALVE ASSEMBLY . . .	1
27	303761	. SCREW, Leaf plate	4	†70	301996	. . WASHER, Valve seat	1
28	307609	SCREW, Leaf plate to block . . .	4	†71	379154	. . FLOAT & ARM ASSEMBLY . . .	1
29	310748	SCREW, Leaf plate to manif. . . .	2	†72	312481	. . HINGE PIN, Float	1
†30	309658	GASKET, Carb. to leaf plate . . .	1	†73	309741	. . GASKET, Body to chamber . . .	1
31	303288	SCREW, Carb. to manifold	2	74	309726	. . FLOAT CHAMBER	1
32	309701	SCREW, Carb. to manifold	1	75	309681	. . ORIFICE PLUG	1
*	381837	CARBURETOR ASSEMBLY COMPLETE	1	†76	303630	. . WASHER, Screw plug	1
33	381840	. CARBURETOR BODY ASSEMBLY	1	77	307832	. . SCREW PLUG	1
34	379152	. . SHAFT & LEVER, Choke	1	78	309654	. . SCREW, Long	2
35	309632	. . ARM, Choke	1	79	309652	. . SCREW, Short	2
36	309699	. . SPRING, Choke return	1	80	309678	. . SPRING, Choke detent	1
37	309677	. . CHOKE VALVE	1	81	309672	. . SPACER, Bellcrank	1
38	312852	. . SCREW, Valves to shaft	4	82	380016	FUEL PUMP ASSEMBLY	1
39	550078	. . CORE PLUG	1	83	311203	. . CAP, Filter	1
40	381000	. . NEEDLE VALVE	1	84	311204	. . WASHER, Cap, large	1
41	304201	. . LEAD SHOT, Carburetor body	4	†85	311205	. . WASHER, Cap screw	1
42	202310	. . CORE PLUG	1	86	311201	. . SCREW, Filter cap	1
43	305223	. . HINGE, Float	1	†87	311202	. . GASKET, Filter cap	1
44	309650	. . DRIVE SCREW, Hinge	2	†88	311198	. . SCREEN, Fuel filter	1
				89	310001	CAM FOLLOWER	1
				90	204708	. . RETAINER, Link	4
				91	312164	SPRING, Cable to cover	1
				92	312902	SCREW, Dampener to carburetor	2

*Not shown

†Also available in Carburetor Repair Kit, part number 382048



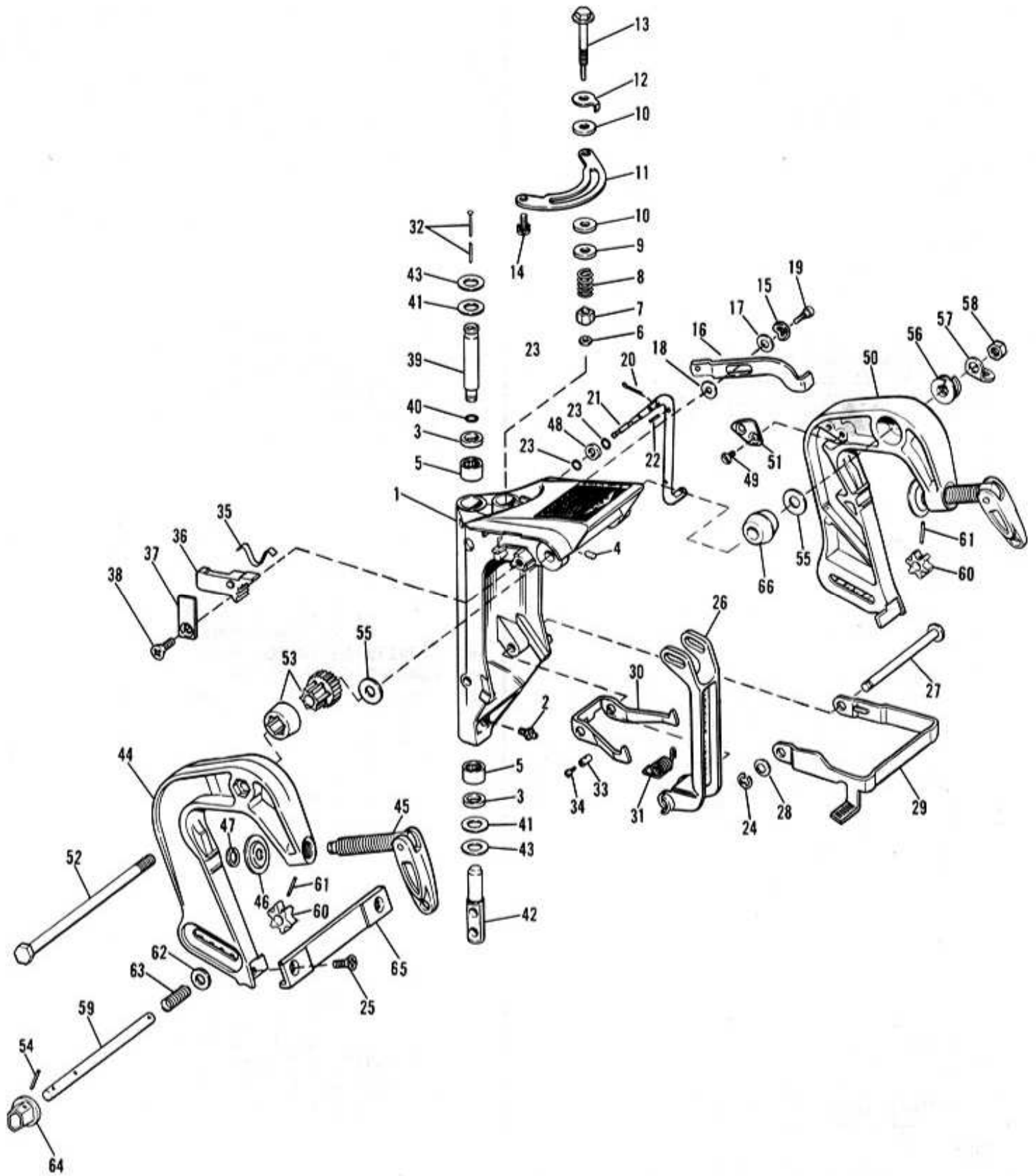
REF. NO.	PART NO.	NAME OF PART	QTY. PER ASSY.	REF. NO.	PART NO.	NAME OF PART	QTY. PER ASSY.
1	379219	CYLINDER AND CRANK- CASE ASSEMBLY	1	39	379164	. SPOOL AND SLEEVE, Rope	1
2	302037	. DOWEL, Bearing	2	40	309702	. PINION GEAR, Starter . . .	1
3	304055	. SCREW, Crankcase to cyl., short	4	41	309695	. SPRING RETAINER, Upper .	1
4	300402	. PIN, Taper	2	42	309694	. SPRING RETAINER, Lower	1
5	301732	. PLUG, Oil passage	1	43	309687	. SET SCREW, Spring	1
6	306453	. WASHER, Bracket screw . .	4	44	309688	. BUSHING, Spring retainer .	1
7	306423	SCREW, Bracket to crankcase .	2	45	309689	. BEARING, Outer	1
8	309771	GASKET, Exhaust housing to cylinder	1	46	309693	. MAIN SPRING, Starter . . .	1
9	309612	GASKET, Cylinder head	1	47	309686	. ROLL PIN, Gear to sleeve .	1
10	309609	CYLINDER HEAD	1	48	309708	. BEARING HEAD	1
11	308728	SCREW, Cylinder head	8	49	309736	. SPRING, Starter pinion . . .	1
**12	378101	SPARK PLUG, Champion J4J .	2	50	309696	. GASKET, Bearing head . . .	1
**12	378368	SPARK PLUG, Auto-Lite A21X	2	51	309745	SCREW, Bearing head	2
**12	378320	SPARK PLUG, AC-M24K	2	52	203819	ROPE, Cut to 66-3/4"	1
13	378065	THERMOSTAT	1	53	311462	EYELET, Rope to cover	1
14	310058	SEAL, Thermostat	1	54	304323	ANCHOR, Rope to handle . . .	1
15	309580	GASKET, Thermostat hsg. . . .	1	55	205971	HANDLE, Starter	1
16	309581	CAP, Thermostat housing	1	56	510584	CAM, Magneto	1
17	300646	SCREW, Thermostat cap	3	57	120395	KEY, Crankshaft	1
18	309709	GASKET, Exhaust cover to cyl.	1	58	309731	"O" RING, Upper bearing . . .	1
19	379190	EXHAUST COVER ASSY.	1	59	379210	NEEDLE BEARING ASSY.	2
20	309686	. ROLL PIN	1	60	309733	. SEAL, Bearing	1
21	309778	. PLUG, Exhaust cover	1	61	309685	CRANKSHAFT	1
22	309797	. SCREW PLUG, Exh. cover . . .	1	62	379359	NEEDLE & LINER SET, Con- necting rod and center brg. . .	3
23	309710	GASKET, Intermediate cover . .	1	63	379135	BEARING, Wrist pin	2
24	309795	COVER, Exhaust, intermediate	1	64	380017	CONNECTING ROD ASSY.	2
25	309981	GASKET, Outer cover	1	65	309576	. SCREW, Connecting rod . . .	2
26	381829	COVER, Exhaust, outer	1	66	309577	. LOCKPLATE, Rod screw . . .	2
27	311750	SCREW, Exhaust cover	3	67	551748	. DOWEL, Connecting rod . . .	2
28	311751	SCREW, Cover, inner to cyl. . .	2	68	379134	PISTON & DOWEL, Standard . .	2
29	311753	SCREW, Cover, outer to cyl. . .	5	68	379372	PISTON & DOWEL, .020 O.S. . .	2
30	311752	SCREW, Cover to cyl.	3	68	379369	PISTON & DOWEL, .040 O.S. . .	2
31	309767	BUMPER, Exhaust cover	1	69	309573	WRIST PIN	2
32	306248	BUMPER, High speed stop	1	70	302577	RING, Retaining	4
33	380963	MOUNT, Rubber, upper front . .	1	71	379360	PISTON RING SET, Standard . .	2
34	300646	SCREW, Upper front mount . . .	2	71	379373	PISTON RING SET, .020 O.S. . .	2
35	303277	RING, Retaining, support	1	71	379371	PISTON RING SET, .040 O.S. . .	2
36	303278	SUPPORT, Armature plate	1	72	306831	SCREW	1
37	304442	SCREW, Support	3	73	309041	CLAMP	1
38	308742	SCREW, Crankcase to cylinder	4	74	308134	LOCKWASHER	2
*	380019	STARTER ASSEMBLY	1	75	306453	WASHER	2
				76	381825	VIBRATION DAMPENER ASSEMBLY, Port	1
				77	312903	SCREW, Dampener to exh . . .	1
				*	380000	GASKET SET, Powerhead, less cylinder head gasket . .	1

*Not shown

**We recommend Champion, Auto-Lite or AC Spark Plugs

1967. - 9-1/2 HP

STERN BRACKET GROUP



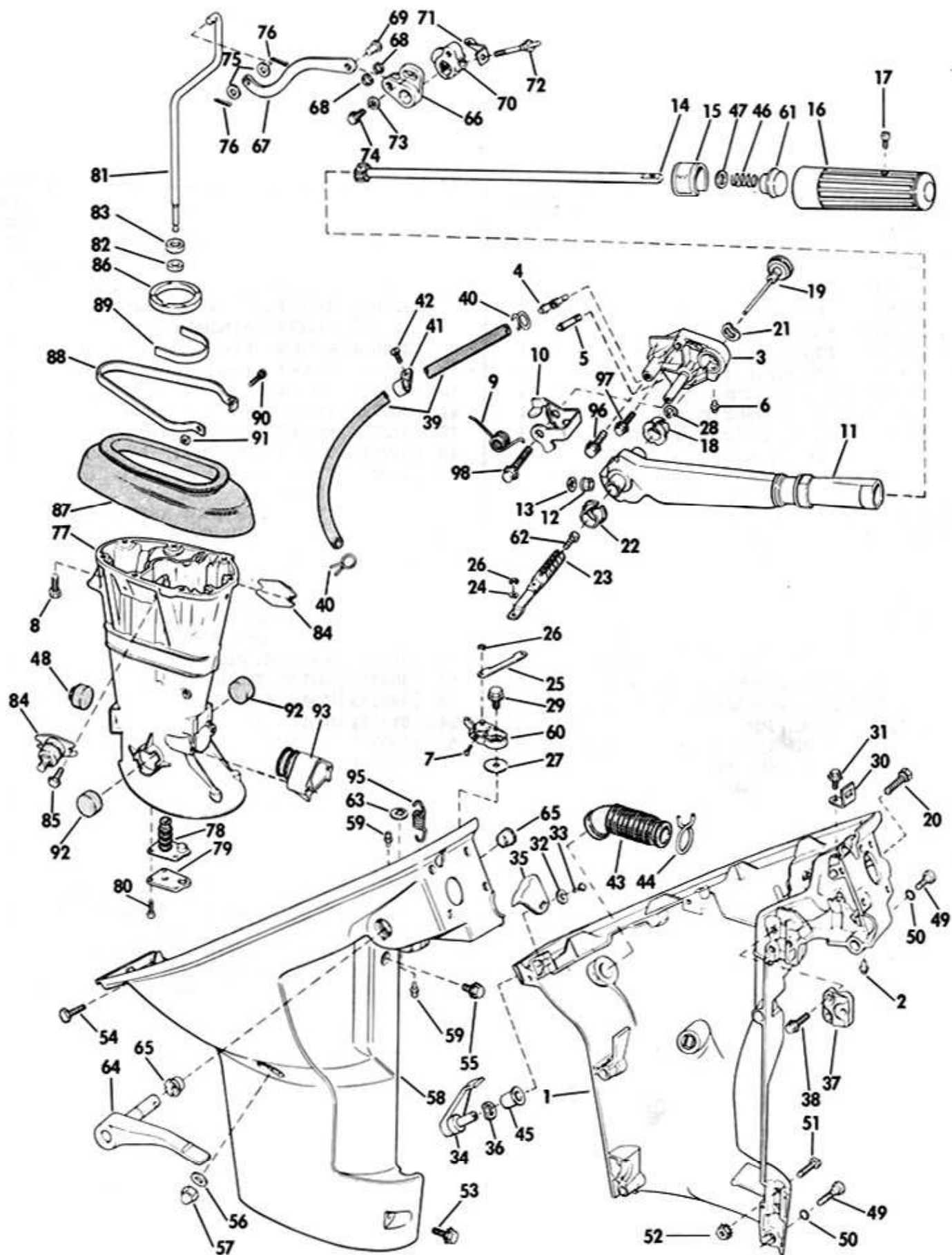
STERN BRACKET GROUP

9-1/2 HP - 1967

REF. NO.	PART NO.	NAME OF PART	QTY. PER ASSY.	REF. NO.	PART NO.	NAME OF PART	QTY. PER ASSY.
1	380953	SWIVEL BRACKET ASSY.	1	35	310070	SPRING, Ratchet	1
2	307256	. FITTING, Lubrication	2	36	310090	RATCHET, Swivel bracket	1
3	309713	. SEAL, Swivel bracket	2	37	310182	PLATE, Ratchet retainer	1
4	309781	. PLUG, Swivel bracket	1	38	308684	SCREW, Plate	1
5	379167	. BEARING, Swivel bracket	2	39	309734	SHAFT, Steering pivot, upper	1
6	309777	SEAL, Steering friction	1	40	303191	"O" RING, Pivot shaft, upper	1
7	309831	NUT, Steering friction screw	1	41	309722	THRUST WASHER, Inner	2
8	309825	SPRING, Steering friction	1	42	310077	SHAFT, Steering pivot, lower	1
9	309721	WASHER, Lower	1	43	310071	THRUST WASHER, Outer	1
10	309723	PAD, Friction	2	44	380215	STERN BRACKET ASSY., Starboard	2
11	309735	PLATE, Steering friction	1	45	377311	CLAMPSCREW ASSEMBLY	1
12	309718	WASHER, Top	1	46	307561	. PLATE, Swivel	1
13	309717	SCREW, Steering friction	1	47	302420	. RETAINER, Plate	1
14	310093	SCREW, Plate, steering friction	2	48	306459	WASHER, Tilt lock rod	1
15	510412	WASHER, Bow	1	49	310096	SCREW, Anchor plate	1
16	312090	SELECTOR, Tilt lock	1	50	380954	STERN BRACKET ASSY., Port (Incl. item 45)	2
17	303887	WASHER	1	51	310067	ANCHOR PLATE, Port	1
18	312087	WASHER, Bracket to selector	1	52	309719	BOLT, Tilting	1
19	310072	SHOULDER SCREW, Selector	1	53	380133	CONE & RATCHET WHEEL	1
20	300723	COTTER PIN, Tilt lock rod	1	54	311511	ROLL PIN, Tilt knob	1
21	380952	ROD & PIN ASSY., Tilt lock	1	55	309773	WASHER, Tilting bolt	1
22	307901	. ROLL PIN	1	56	302051	SPRING, Tilt bolt	1
23	202612	"O" RING, Tilt lock rod	2	57	300364	LINK, Safety chain	1
24	310095	RING, Retaining	1	58	306319	NUT, Tilt bolt	1
25	308684	SCREW, Plate	2	59	310069	ROD, Tilt adjustment	1
26	309732	HANDLE, Carrying	1	60	310064	PINION, Tilt adjustment	2
27	310068	PIVOT PIN, Locking lever	1	61	305380	ROLL PIN, Tilt pinion	2
28	309750	BOW WASHER, Pivot pin	1	62	306433	WASHER, Tilting knob	1
29	310098	LINK, Shallow water drive	1	63	310076	SPRING, Knob, tilt adjustment	1
30	309820	LEVER, Locking, reverse lock	1	64	310089	KNOB, Tilt adjusting	1
31	309837	SPRING, Reverse lock	1	65	309738	PLATE, Stern bracket	1
32	310079	WIRE, Lever to reverse lock	1	66	311326	CONICAL WASHER	1
33	303219	CLAMP, Wire, reverse lock	1				
34	301963	SCREW, Clamp, wire	1				

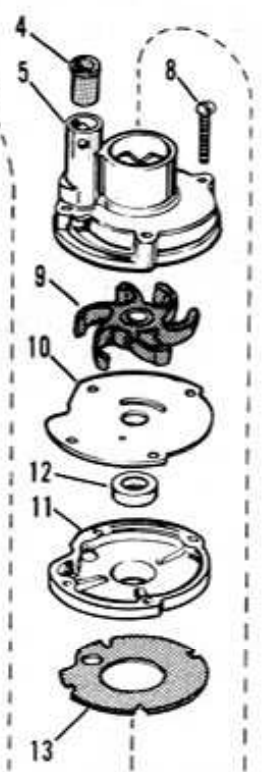
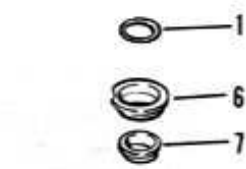
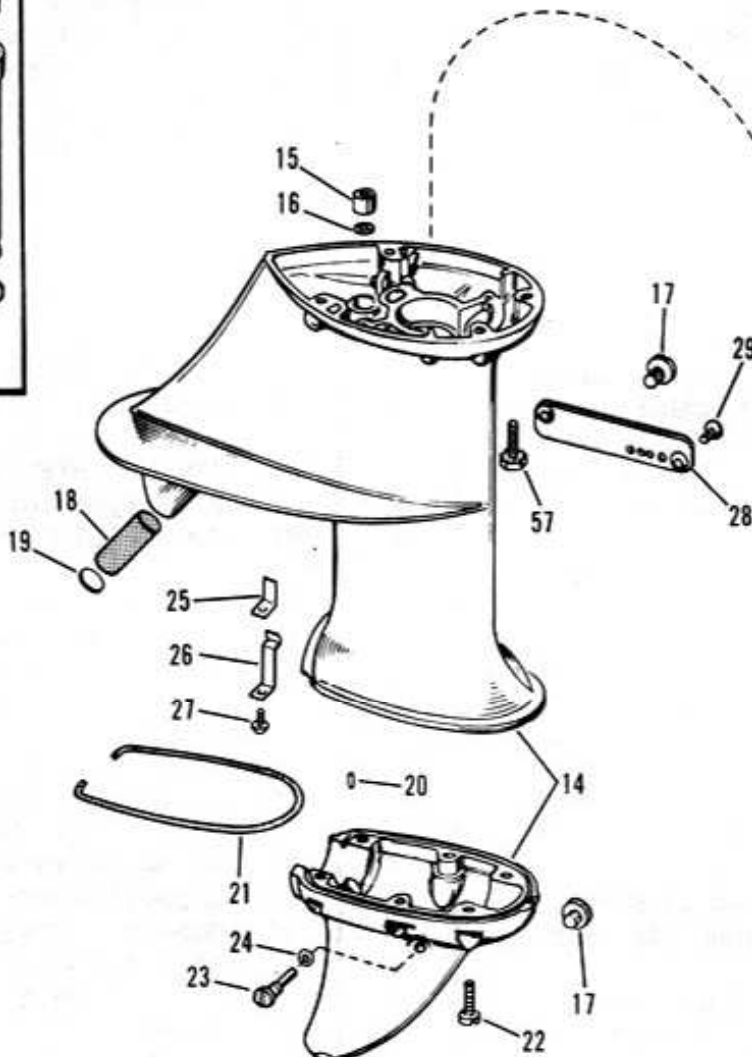
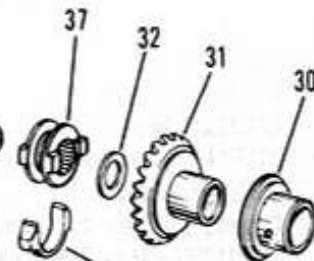
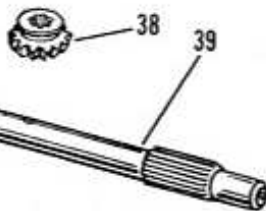
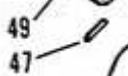
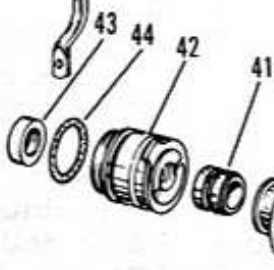
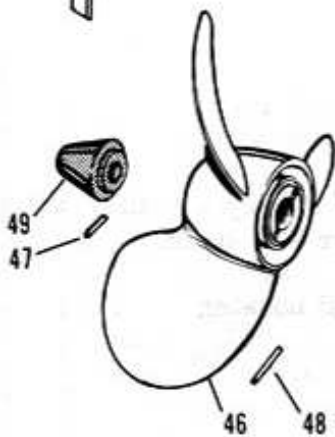
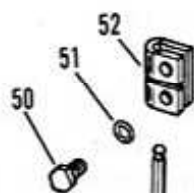
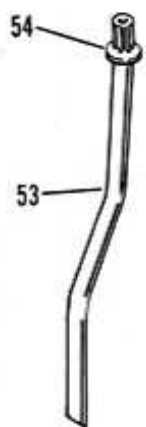
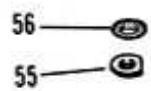
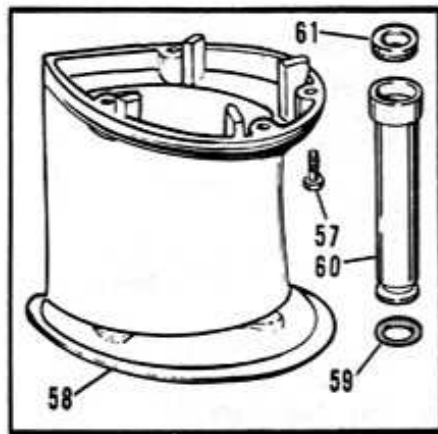
*Not shown

INDENTED PART NAMES INDICATE THAT THESE PARTS ARE INCLUDED IN PRECEDING ASSEMBLY



REF. NO.	PART NO.	NAME OF PART	QTY. PER ASSY.	REF. NO.	PART NO.	NAME OF PART	QTY. PER ASSY.
1	381823	LOWER COVER ASSY., Port	1	50	309819	LOCKWASHER	5
2	307256	. FITTING, Lubrication	1	51	310075	SCREW, Lower pivot shaft	2
3	380966	BRACKET AND FUEL CON- NECTOR ASSY.	1	52	310094	NUT, Pivot shaft screw	2
4	303597	. NIPPLE, Fuel connector	1	*53	311440	SCREW, Mount to motor cover	2
5	303603	. GUIDE PIN, Connector	1	54	311440	SCREW, Motor cover, upper	1
6	307256	. FITTING, Lubrication	1	55	309021	SCREW, Motor cover	2
7	312943	SCREW, Adjustment, interlock arm	1	56	309643	WASHER, Nut, side mount	2
8	302510	SCREW, Housing to powerhead	7	57	303890	NUT, Upper side mount	2
9	309670	SPRING, Handle stop	1	58	381824	LOWER MOTOR COVER AND LUBE FITTING ASSY., Stbd.	1
10	312074	STOP, Steering handle	1	59	307256	. LUBE FITTING	2
11	381615	STEERING HANDLE ASSY.	1	60	381862	INTERLOCK ARM AND PIN	1
12	305100	. BUSHING, Steering handle	1	61	303282	FRICTION BLOCK, Grip	1
13	312687	. WASHER, Bushing	1	62	312068	SCREW, Idle adjustment	1
14	381613	GEAR AND SHAFT, Handle	1	63	310220	RETAINER, Shorting switch leads	1
15	203260	PLATE, Throttle control	1	64	379334	SHIFT LEVER & SHAFT	1
16	204188	GRIP, Steering handle	1	65	309770	BEARING, Shift lever	2
17	310303	SCREW, Grip	1	66	309747	CLEVIS, Shift rod adjustment rod	1
18	312069	BUSHING, Handle to brkt.	1	67	309779	LINK, Clevis to shift rod	1
19	380892	KNOB, Idle adjustment	1	68	309750	BOW WASHER, Pin	2
20	302288	SCREW, Upper front, motor cover	1	69	309768	PIN, Clevis to link	1
21	310054	BOW WASHER, Knob to bracket	1	70	309871	BRACKET, Shift shaft	1
22	309671	BUSHING, Handle to cover	1	71	310062	LEVER, Reverse lock	1
23	380880	ROCK AND LINK, Throttle	1	72	310052	SCREW, Detent	1
24	307235	BOW WASHER, Arm to link	1	73	306482	WASHER, Screw, clevis to bracket	1
25	312942	LINK, Pivot to interlock arm	1	74	300646	SCREW, Clevis to bracket	1
26	203949	"E" RING, Link	2	75	303886	WASHER, Shift rod to link	2
27	310055	WASHER, Shoulder screw	1	76	305650	COTTER PIN, Shift rod	2
28	312078	RING, Retaining, adjustment knob	1	77	381280	EXHAUST HOUSING, BOOT & PLATE ASSEMBLY	1
29	310053	SCREW, Interlock arm	1	78	309631	. BOOT, Shift rod	1
30	310073	HOOK, Lower motor cover	1	79	309636	. PLATE	1
31	312889	SCREW, Hook	1	80	309637	. SCREW, Plate	3
32	304051	WASHER, Screw to hook	1	81	309661	SHIFT ROD, Upper	1
33	312241	SCREW, Hook to handle	1	82	309818	GUIDE, Shift rod	1
34	312184	HANDLE, Latch, port cover	1	83	309386	SEAL, Shift rod	1
35	312185	HOOK, Port lower motor cover	1	84	380964	RUBBER MOUNT, upper side	2
36	553766	BOW WASHER, Handle to port lower cover	1	85	312241	SCREW, Upper side mount	4
37	310091	CAP, Upper pivot shaft	1	86	309980	RING, Pilot	1
38	309618	SCREW, Cap to cover	3	87	312211	SEAL, Exhaust housing	1
39	310118	HOSE, Fuel connector to pump	1	88	310037	CLAMP, Seal	1
40	552199	CLAMP, Hose	2	89	310766	RETAINER, Seal	1
41	309846	CLAMP, Hose	1	90	311084	SCREW, Clamp	1
42	309088	SCREW, Clamp to cover	1	91	308824	NUT, Clamp	1
43	309830	HOSE, Exhaust	1	92	309698	RUBBER MOUNT	2
44	305646	CLAMP, Hose to exhaust cover	1	93	380965	RUBBER MOUNT, Lower front	1
45	553769	BUSHING, Handle to port lower cover	1	95	312164	SPRING, Cable to cover	2
46	301656	SPRING, Twist grip, friction	1	96	312140	SCREW, Bracket	1
47	303252	WASHER, Twist grip, friction	1	97	309405	SCREW, Bracket	1
48	309707	RUBBER MOUNT, Lower rear	1	98	312139	SCREW, Bracket	1
49	309817	SCREW, Lower motor cover	5				1

*These part numbers for standard length models only. For long shaft models see special listing on gearcase page.



379765 IMPELLER REPAIR KIT
 382296 WATER PUMP REPAIR KIT

GEARCASE GROUP

9-1/2 HP - 1967

REF. NO.	PART NO.	NAME OF PART	QTY. PER ASSY.	REF. NO.	PART NO.	NAME OF PART	QTY. PER
1	303067	"O" RING, Driveshaft	1	38	307752	. GEAR, Pinion	1
2	309639	DRIVESHAFT, Standard	1	39	305261	. SHAFT, Propeller	1
3	300771	PIN, Pump impeller	1	40	307754	. GEAR, Reversing	1
4	302497	GROMMET, Water tube	1	41	303998	. BUSHING, Reverse gear . . .	1
†5	310000	HOUSING, Impeller	1	42	382291	. GEARCASE HEAD & BEARING	1
6	309607	SEAL, Impeller housing	1	●43	313282	. . OIL RETAINER	1
7	309583	WASHER, Seal	1	■43	303345	. SEAL, Gearcase head	1
8	303395	SCREW, Impeller housing	4	44	303360	. "O" RING, Gearcase head . .	1
9	377178	IMPELLER, Water pump	1	45	309582	. SHIFT ROD, Lower, std. . .	1
†10	305303	PLATE, Impeller housing	1	46	377635	PROPELLER, 8-1/4 x 8-1/2 . .	1
11	382292	BEARING HOUSING ASSY	1	47	305296	COTTER PIN, Prop. nut	1
●12	313282	. OIL RETAINER	1	48	307949	DRIVE PIN, Propeller	1
■12	303345	SEAL, Bearing housing	1	49	305394	NUT, Propeller	1
13	303339	GASKET, Bearing housing	1	50	304024	SCREW, Connector	2
*	382575	GEARCASE ASSEMBLY, Less driveshaft & pump	1	51	301551	LOCKWASHER	2
14	382573	. GEARCASE ASSY., Upper and lower	1	52	303794	CONNECTOR, Standard	1
15	303332	. . BUSHING, Shift rod	1	53	379157	WATER TUBE ASSY., Std. . . .	1
16	301877	. . "O" RING, Shift rod	1	54	309645	. PUSH NUT, Water tube	1
17	307551	. . PLUG & WASHER ASSY.	2	55	309613	WASHER, Water tube	1
*	311598	. . . WASHER, Plug	1	56	309704	"O" RING, Tube to cylinder . .	1
18	302757	. . SCREEN, Water intake	1	57	312282	SCREW, Gearcase to housing . .	4
19	300314	. . PLUG, Screen	1	5 INCH LONGER PARTS			
20	300611	. . PIN, Dowel	1	*	300630	SCREW, Lower front mount . .	2
21	**	. . SEAL, Gearcase	1	*	313079	SPACER, Lower cover to mount	2
22	304071	. . SCREW, Gearcase halves	6	45	309628	SHIFT ROD, Lower long	1
23	308376	. . PIVOT PIN, Shift lever	1	53	379158	WATER TUBE, Long	1
24	307853	. . . SEAL, Pin	1	54	309645	. PUSH NUT, Water tube	1
25	303700	. SPRING, Detent, backup	1	*	380022	EXTENSION KIT ASSEMBLY . .	1
26	303466	. SPRING, Detent	1	1	303067	. "O" RING, Driveshaft	1
27	306478	. SCREW, Detent	1	2	309640	. DRIVESHAFT, Long	1
28	304579	. COVER, Water by-pass	1	50	304024	. SCREW, Connector	2
29	302681	. SCREW, Cover	2	51	301551	. LOCKWASHER, Connector . . .	2
30	303380	. BEARING, Front	1	*	304081	. CONNECTOR, Long	1
31	378179	. GEAR & BUSHING Front	1	57	312282	. SCREW, Extension	4
32	303361	. THRUST WASHER, Shaft	2	58	310110	. EXTENSION, Gearcase	1
33	303340	. LEVER, Shifter	1	59	302035	. "O" RING, Spacer	1
34	302504	. PIN, Shift rod	1	60	310111	. SPACER, Exhaust housing to impeller housing	1
35	306376	. COTTER PIN, Yoke pin	1	61	310112	. SEAL, Spacer	1
36	303381	. CRADDLE, Shifter	1	*	311150	. EXTENSION, Water tube . . .	1
37	377458	. SHIFTER, Clutch dog	1	*	202893	. "O" RING, Water tube extension	1

*Not shown

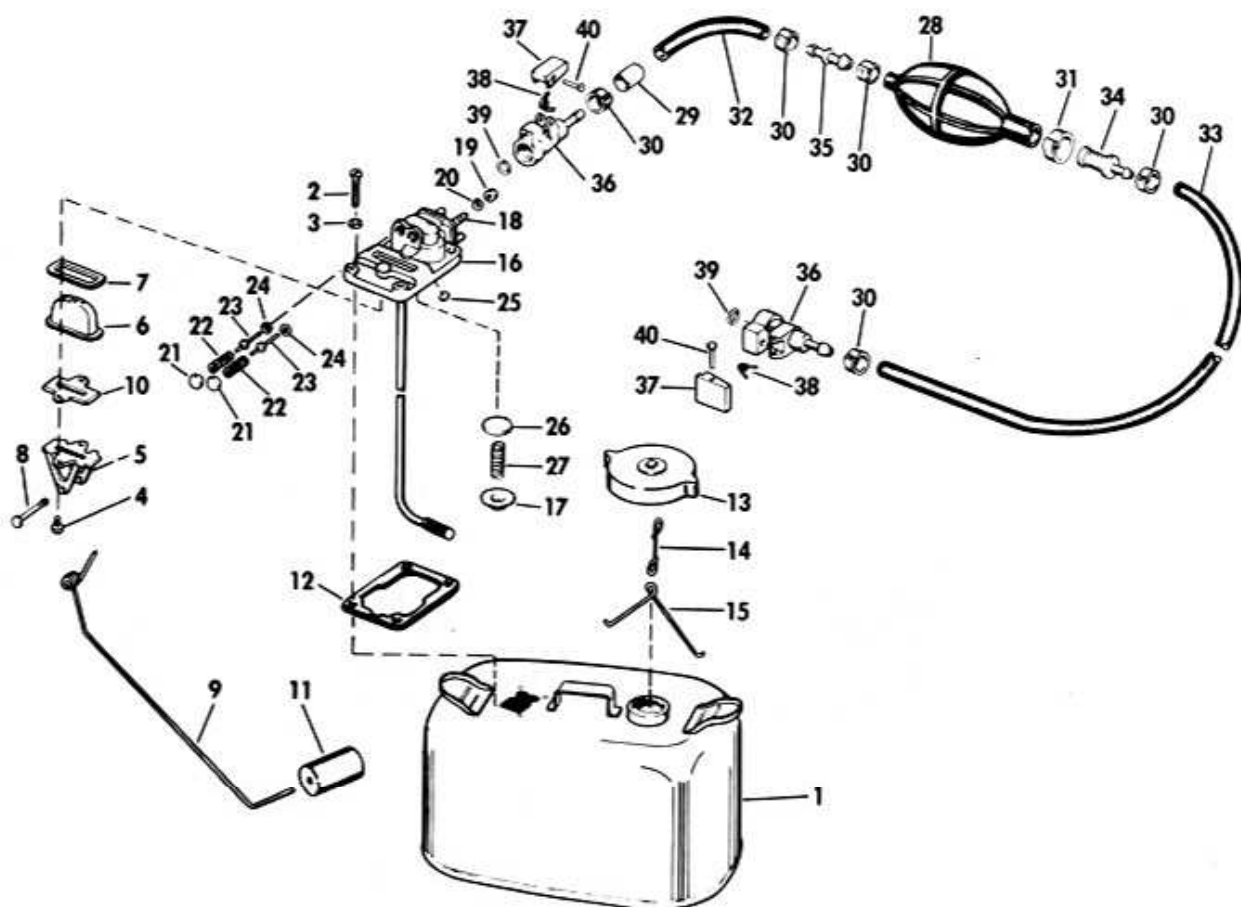
**Cut in lengths of 11-7/16 inches from 50 foot roll Part No. 309044

†A heavy duty (chrome plated bronze) Impeller housing and plate assembly is available. Order 379449.

●9722B, 9723B only

■9722M, 9723M only

INDENTED PART NAMES INDICATE THAT THESE PARTS ARE INCLUDED IN PRECEDING ASSEMBLY



REF. NO.	PART NO.	NAME OF PART	QTY. PER ASSY.	REF. NO.	PART NO.	NAME OF PART	QTY. PER ASSY.
1	381015	FUEL TANK ASSEMBLY	1	22	307856	. . . SPRING, Valve	2
2	304888	. SCREW, Upper housing	4	23	305859	. . . VALVE, Release	2
3	305863	. WASHER	4	24	305857	. . . "O" RING, Valve seat	2
4	310849	. SCREW, Indicator support	2	25	305243	. . . PLUG, Core	1
5	312191	. SUPPORT, Indicator	1	26	307862	. . . VALVE, Disc	1
6	312190	. LENS, Indicator	1	27	307860	. . . SPRING, Disc valve	1
7	312192	. SEAL, Indicator lens	1	*	377433	HOSE & PRIMER BULB ASSEMBLY	1
8	305821	. PIN, Indicator	1	28	553164	. . . BULB, Primer	1
9	310845	. INDICATOR	1	29	306801	. . . SLEEVE, Hose	1
10	312193	. GASKET, Indicator support	1	30	303596	. . . CLAMP, Hose, small	5
11	302559	. FLOAT, Indicator	1	31	553166	. . . CLAMP, Hose, large	1
12	310984	. GASKET, Housing to tank	1	32	305871	. . . HOSE, Short	1
13	377536	. FUEL TANK CAP ASSY.	1	33	305872	. . . HOSE, Large	1
14	305994	. . LINK, Anchor	1	34	592242	. . . VALVE, Outlet	1
15	552331	. . ANCHOR, Cap	1	35	591841	. . . VALVE, Inlet	1
16	381016	. UPPER HOUSING & FUEL LINE ASSY	1	36	376156	. . . CONNECTOR HOUSING ASSEMBLY	2
17	307861	. . RETAINER, Disc valve spring	1	37	301830	. . . LOCK, Connector	1
18	308081	. . PIN, Guide	1	38	301829	. . . SPRING, Connector	1
19	307857	. . RETAINER, Valve	1	39	303598	. . . "O" RING, Connector seal	1
20	307858	. . "O" RING	1	40	301832	. . . RIVET, Connector	1
21	303405	. . PLUG, Core	2	*	379780	DECAL SET	1

*Not shown

INDENTED PART NAMES INDICATE THAT THESE PARTS ARE INCLUDED IN PRECEDING ASSEMBLY