

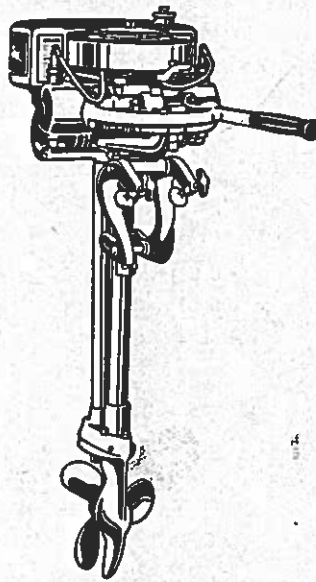
REPAIR PARTS CATALOG

For

Model 200 and 210 Motor

1936

1937



Price 25c

JOHNSON MOTORS

Waukegan, Illinois, U. S. A.

All Prices Subject to Change Without Notice

HOW TO ORDER PARTS

- 1st. Give MOTOR NUMBER and Model, which will be found on top of starting plate.
- 2nd. Look in list for part number which will show name and price per piece.
- 3rd. Write order plainly, giving the motor number, part number, name of part and price per piece.
- 4th. Show to whom parts are to be shipped.
- 5th. To insure quick service, ALWAYS INCLUDE REMITTANCE WITH POSTAGE TO COVER CARRYING CHARGES AND INSURANCE. Stamps are accepted as cash up to 25 cents. A minimum charge of 25c will be made on all orders amounting to less than that amount. All parts shipped insured at a charge of 5 cents extra.

IMPORTANT :

No replacements made unless regular claim is entered on form provided for that purpose by all authorized dealers or service stations.

ALL DEFECTIVE PARTS MUST BE RETURNED WITH CLAIM FORM PROPERLY FILLED IN, TRANSPORTATION PREPAID, before any replacements will be made. (See inside back cover for service stations.)

All prices are subject to change without notice.

Care of Motors When Used in Salt Water

Regardless of the material used in the construction of an outboard motor, it will corrode and tarnish to a certain extent when used in salt water. It is of importance, therefore, to adhere closely to the following instructions if you want to receive the most from your motor.

1. Remove the motor from the boat when it is not in service.
2. Flush out the cooling system by running motor in a barrel of fresh water.
3. Rinse off thoroughly with fresh water.
4. Wipe dry with a cloth.
5. Go over all the bright parts with an oily cloth, especially if the motor is to be stored for any length of time.

WARRANTY

All Johnson Motors (racing models excepted) are warranted to be free from defects in material and workmanship under normal use and service, our obligation under this Warranty being limited to making good at our factory in Waukegan, Illinois, any part or parts thereof which shall, within three months after date of delivery to owner, be returned to us with transportation charges prepaid, and which our examination shall disclose to our satisfaction to have been thus defective, this Warranty being expressly in lieu of all other warranties and representations, express or implied, and of all other liabilities in connection with the sale or use of our outboard motors.

This Warranty shall not apply to any outboard motor which shall have been repaired or altered outside of the factory in any way so as, in our judgment, to affect its stability or reliability, nor which has been subject to misuse, negligence or accident.

Claims Must Be Entered On All Returned Goods

Regular claim forms are provided all our dealers, service stations and distributors. All claims must be entered on this form, No. SE-16, before parts are returned to factory. No part will be replaced unless this form is used. See your dealer for claim form.

All material — motors or parts — be returned to your nearest service station or direct to factory **TRANSPORTATION CHARGES PREPAID**. See inside back page for list of service stations.

REMEMBER — ALWAYS request a claim form and properly fill it in before returning any material to our service station or direct to factory.

Warranty Does Not Apply To Racing Motors

Due to the excessive strains and stresses placed upon motors when used for racing, all Johnson motors of racing model or all other models when used for racing are sold with the distinct understanding that they are not guaranteed in any manner, and the Johnson Motor Company does not assume any responsibility for injury or damage sustained from their use thereof.

All Prices Are Subject To Change Without Notice

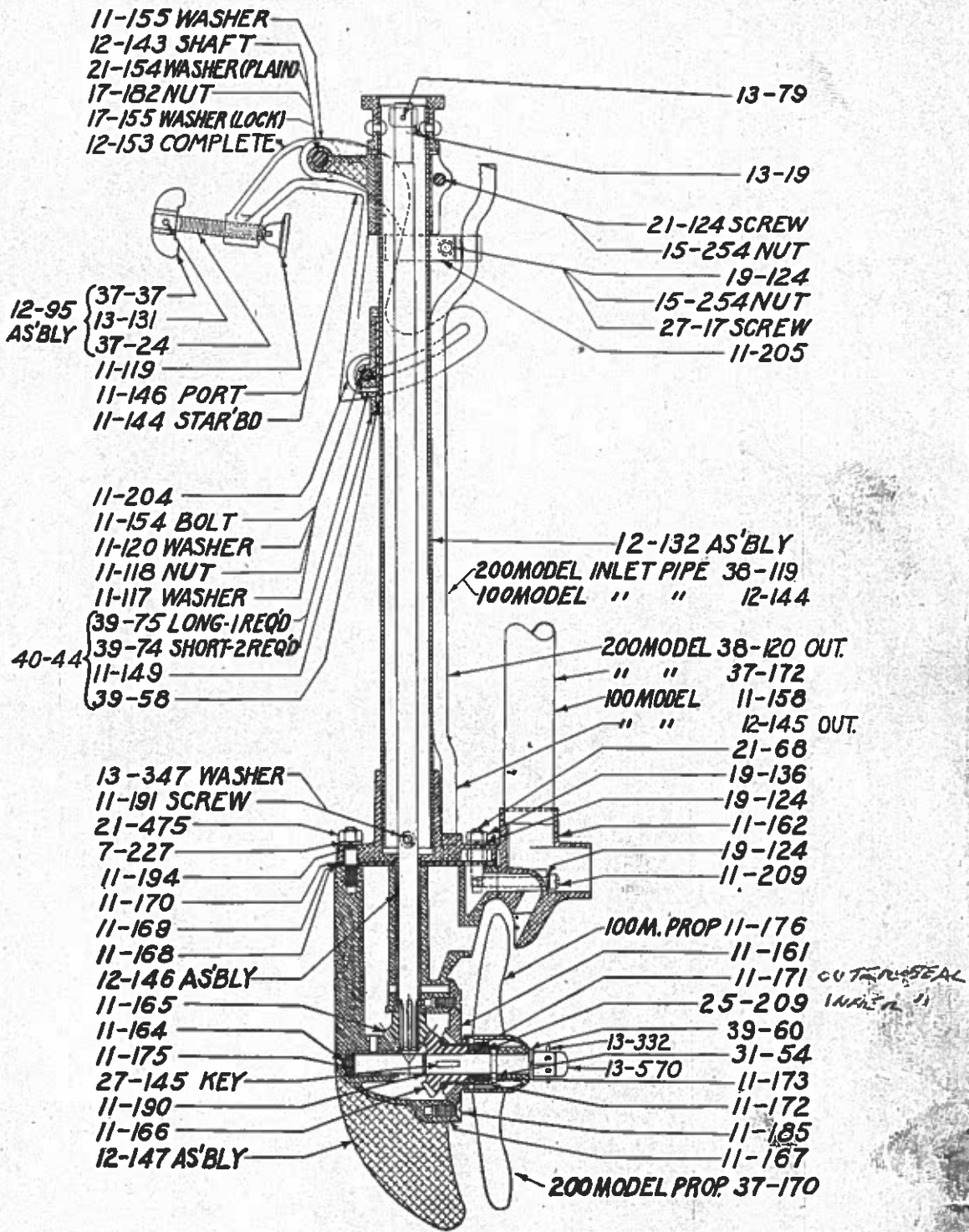
Always Give Part Number and Motor Number

PARTS FOR MODEL 200 MOTOR

Part No.	No. Required per Motor	NAME OF PART	Code Word	Price
3-37	1	Nut for Strainer.....	JACEF	.25
3-40	1	Screen for Strainer.....	JACEM	.05
3-41	1	Gasket for Strainer.....	JACEP	.05
5-6	2	Wrist Pin.....	JADPY	.25
5-48	1	Gasket for Filler Cap.....	JADRA	.05
5-55	2	Key for Crankshaft.....	JADRI	.05
5-58	1	Lockwasher for Crankshaft Nut.....	JADSI	2 for .05
5-194	6	Piston Ring.....	JADTU	.25
7-46	4	Nut - Steering Rail Stud.....	JAPCM	.025
7-154	1	Nut - Gas Tank to Muffler Screw.....	JAPEH	2 for .05
7-227	5	Lockwasher - Gearcase to Driveshaft Casing Stud and Steering Rail Stud.....	JAPEM	.025
11-45	2	Cotter Pin for Wrist Pin.....	JASHQ	
11-117	1	Washer - Thrust Socket Bolt.....	JAVZV	2 for .05
11-118	1	Wing Nut - Thrust Socket Bolt.....	JAVZW	.20
11-119	2	Swivel Plate for Wing Screw.....	JAVZX	.15
11-120	1	Washer - Thrust Socket Bolt.....	JAVZY	2 for .05
11-144	1	Stern Bracket - Starboard.....	JAXEM	1.30
11-146	1	Stern Bracket - Port.....	JAXEN	1.30
11-149	1	Thrust Socket.....	JAXEO	.70
11-152	1	Bushing for Swivel Bracket.....	JAXGU	.40
11-154	1	Bolt for Thrust Socket.....	JAXEP	.25
11-155	2	Washer - Thrust for Stern Bracket.....	JAXEQ	2 for .05
11-160	1	Gear Case.....	JAZJP	5.00
11-161	1	Gearcase Head.....	JAXES	1.80
11-164	1	Thrust Block for Propeller Shaft.....	JAXEV	.10
11-165	1	Bevel Pinion Gear.....	JAXEW	1.15
11-166	1	Bevel Gear.....	JAXEX	2.50
11-167	1	Gasket for Gearcase Head.....	JAXEY	.05
11-168	1	Gasket - Spacer to Driveshaft Casing.....	JAXEZ	.05
11-169	1	Spacer - Driveshaft Casing to Gearcase.....	JAXFA	.15
11-170	1	Gasket - Spacer to Gearcase.....	JAXFB	.05
11-171	1	Cork Packing for Propeller Shaft - Outer.....	JAXFC	.05
11-172	1	Cap for Cork Packing.....	JAXFD	.05
11-173	1	Washer - Separator for Cork Seal and Gear.....	JAXFG	2 for .05
11-175	1	Propeller Shaft.....	JAXFF	.75
11-185	2	Screw for Gearcase Head.....	JAXFJ	.05
11-190	1	Snap Ring for Propeller Shaft.....	JAXFK	.025
11-191	1	Drain Screw for Driveshaft Casing.....	JAXFL	2 for .05
11-194	1	Stud - Gearcase to Driveshaft Casing - Front.....	JAXFM	.20
11-204	2	Washer for Quadrant to Thrust Socket.....	JAXFN	.10
11-205	1	Clip for Water Tube.....	JAXFO	.40
11-209	2	Screw for Exhaust Outlet.....	JAXFQ	.05
11-213	1	Wire for Water Scoop.....	JAXFR	.025
11-216	1	Nut - Gearcase to Driveshaft Casing Stud - Rear.....	JAXFS	.15
11-217	1	Stud - Gearcase to Driveshaft Casing - Rear.....	JAXFT	.15
13-19	1	Key for Driveshaft.....	JACKE	.05
13-51	1	Lockwasher.....	JACOP	.025
13-57	1	Journal Bearing - Upper.....	JACSO	1.25
13-74	6	Core Plug for Cylinder.....	JADAF	.05
13-79	1	Key for Driveshaft.....	JAGET	.025
13-129	8	Screw for Cylinder Base.....	JADIC	.10
13-131	2	Rivet for Wing Screw.....	JAQBH	.025
13-306	1	Gland for Gas Line.....	JAMAB	.025
13-307	1	Nut for Gas Line.....	JAMAS	2 for .05
13-332	1	Cotter Pin for Propeller Nut.....	JAFNI	.025
13-347	1	Washer for Driveshaft Casing Drain Screw.....	JANAJ	.025
13-479	1	Grip for Steering Handle.....	JANBP	.15
13-513	3	Screw for Magneto Cover Plate.....	JAPXY	.05
13-514	1	Cover Plate of Magneto.....	JAPXZ	1.70
13-525	1	Gasket - Cover Plate to Flywheel.....	JAPYY	.05
13-542	1	Plug for Gearcase.....	JANAB	.10
13-570	1	Nut for Propeller.....	JANAD	.20
13-638	1	Nut for Crankshaft.....	JAXAY	.45
15-111	1	Stud - Steering Handle to Steering Rail.....	JAPNF	.05

Order All Parts From Nearest Service Station or Dealer

Always Give Part Number and Motor Number



Order All Parts From Nearest Service Station or Dealer

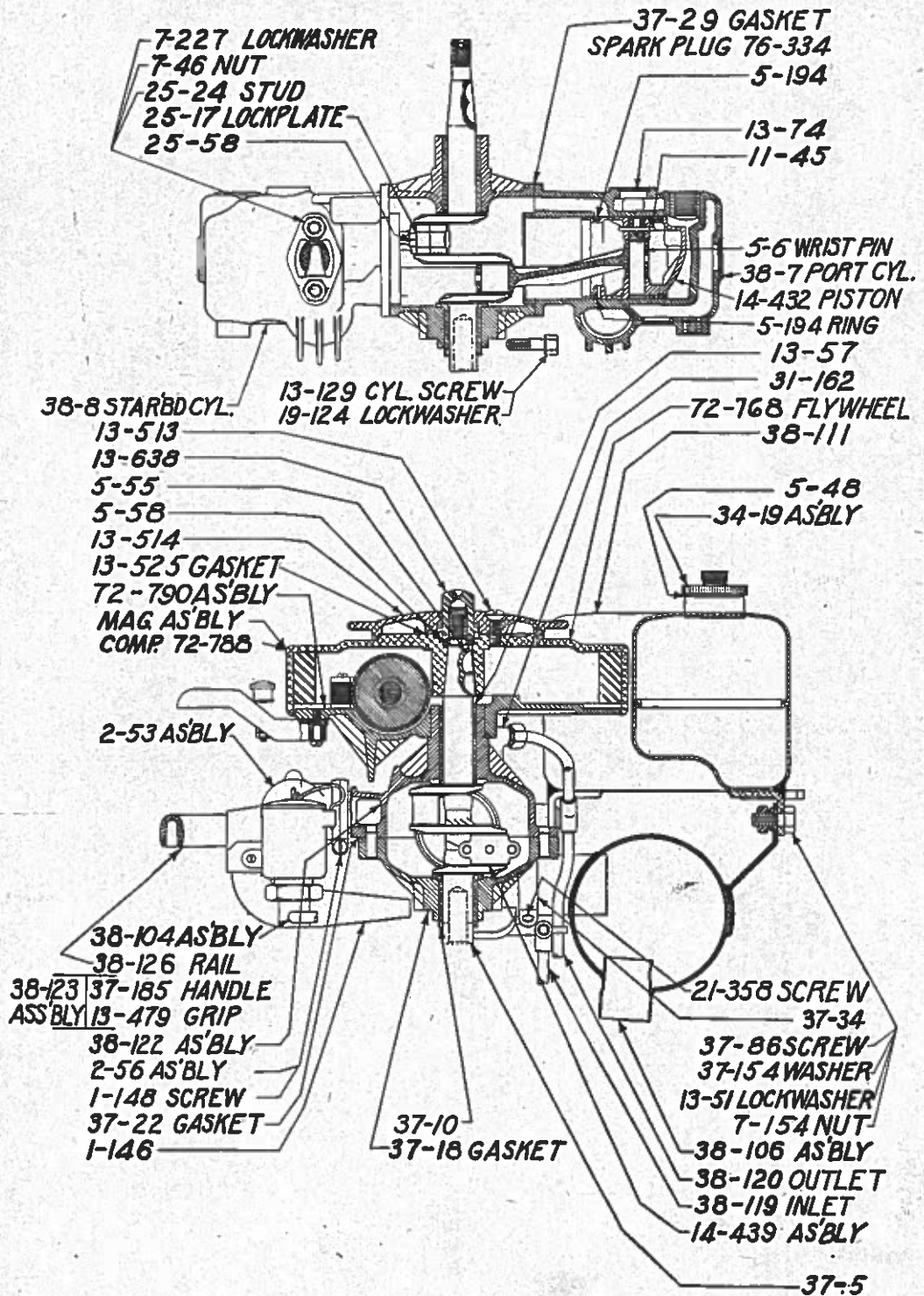
Always Give Part Number and Motor Number

PARTS FOR MODEL 200 MOTOR—Continued

Part No.	No. Required per Motor	NAME OF PART	Code Word	Price
15-254	2	Nut - Water Tube Clip Screw and Swivel Bracket Screw	JAQDG	.025
17-131	4	Gland for Water Tube	JAPUW	2 for .05
17-132	4	Nut for Water Tube	JAPUX	.05
17-155	1	Lockwasher for Tilting Shaft	JAPVP	2 for .05
17-182	1	Nut for Tilting Shaft	JAPVN	.10
17-217	1	Nut for Steering Handle Stud	JAQBU	.05
19-124	17	Lockwasher - Gearcase Stud - Powerhead to Lower Unit Stud - Exhaust Flange Screw - Cylinder Base Screw	JAQDK	.025
19-136	4	Nut - Powerhead to Driveshaft Casing Stud	JAQGN	.025
21-63	1	Vent Plug for Gearcase	JAQIS	.15
21-122	1	Washer for Vent Plug	JAQKN	.025
21-124	1	Screw - Swivel Bracket Clamp	JAQRW	
21-154	1	Plain Washer for Tilting Shaft	JAQKZ	
21-163	1	Cotter Pin for Steering Handle Stud	JAQLG	.021
21-276	4	Screw - Crankcase Halves	JAQLO	2 for .05
21-358	2	Screw - Muffler to Cylinder Clamp	JARAK	.05
21-475	1	Nut - Gearcase to Driveshaft Casing Stud - Front	JARQP	.10
25-17	4	Lock Plate for Connecting Rod Screw	JARAX	.025
25-24	4	Stud - Steering Rail	JARBD	.05
25-58	4	Screw for Connecting Rod	JAROA	.05
25-209	1	Cork Packing - Propeller Shaft - Inner	JAW EJ	.05
25-214	1	Oiling Instructions	JAWCG	NC
25-244	1	Transfer for Gas Tank	JAWLE	Net .15
27-17	1	Screw - Exhaust Tube Clip	JARIK	2 for .05
27-145	1	Key for Propeller Shaft	JAVBR	.05
31-54	1	Drive Pin for Propeller	JATAH	.025
31-162	4	Elbow for Water Tubes	JAWMH	.15
37-5	1	Crankshaft	JAWCJ	8.50
37-10	1	Journal Bearing - Lower	JAWCK	.60
37-18	1	Gasket - Driveshaft Casing Flange to Powerhead	JAWJC	.05
37-22	2	Gasket - Upper and Lower Crankcase Halves	JAWCP	.05
37-24	2	Clamp Screw	JAWAF	.20
37-29	2	Gasket - Cylinder Base	JAWCQ	.05
37-34	2	Clamp - Muffler to Cylinder	JAWCR	.75
37-37	2	Head for Clamp Screw	JAWAH	.15
37-77	1	Name Plate	JAWCS	.10
37-78	2	Drive Screw for Name Plate	JAWCT	.025
37-86	3	Screw - Gas Tank to Cylinder	JAWCV	2 for .05
37-112	1	Starting Instructions	JAWCZ	NC
37-154	3	Washer - Gas Tank to Cylinder	JAXAZ	.025
37-166	1	Wrench	JAXGW	.20
37-170	1	Propeller	JAXGX	2.00
37-172	1	Exhaust Pipe - (Order 37-189)	JAXGY	1.25
37-185	1	Steering Handle	JAXGZ	.85
37-187	1	Steering Rail	JAXHA	2.15
39-58	1	Lining for Thrust Socket	JAWST	.10
39-60	1	Lockwasher for Propeller Nut	JAWSV	.05
39-74	2	Rivet for Thrust Socket Lining - Short	JAWTF	.025
39-75	1	Rivet for Thrust Socket Lining - Long	JAWTG	.025
39-77	1	Dowel - Gearcase to Spacer	JAWTI	.025
53-83	1	Cotter Pin for Propeller	JAWPJ	.025
85-101	4	Stud - Powerhead to Driveshaft Casing Flange	JARLS	.05

Order All Parts From Nearest Service Station or Dealer

Always Give Part Number and Motor Number



Order All Parts From Nearest Service Station or Dealer

ASSEMBLIES

Part No.	No. Required per Motor	NAME OF PART	Code Word	Price
12-95	2	Wingscrew for Stern Bracket.....	JAWBP	.60
12-132	2	Driveshaft Casing.....	JAXFU	6.00
12-139	1	Lower Unit - Less Propeller.....	JAXFX	37.70
12-143	1	Tilting Shaft.....	JAXGR	.35
12-146	1	Driveshaft with Key.....	JAXGB	2.50
12-147	1	Gearcase with Head and Studs.....	JAXGC	11.30
12-153	1	Stern Bracket Complete.....	JAXGG	6.25
12-154	1	Gearcase Complete with Gears.....	JAXGH	22.50
14-32	1	Starting Rope.....	JAEDU	.15
14-432	2	Piston.....	JANCA	2.35
14-434	2	Piston and Connecting Rod.....	JANCB	5.00
14-439	2	Connecting Rod.....	JANCC	2.50
26-83	1	Shut-off Valve for Gas Tank.....	JAWBX	.70
34-19	1	Filler Cap for Gas Tank.....	JAUER	1.20
38-7	1	Cylinder - Port.....	JAWDF	7.00
38-8	1	Cylinder - Starboard.....	JAWDG	7.00
38-104	1	Gasoline Line Complete.....	JAXBH	1.00
38-106	1	Gas Tank with Transfer.....	JAXBE	12.25
38-111	1	Muffler.....	JAXHB	8.00
38-114	1	Tool Kit.....	JAXHC	.95
38-117	1	Powerhead - Oil Tested.....	JAXHD	45.00
38-118	1	Powerhead Complete.....	JAXHE	70.00
38-119	1	Water Tube Assembly - Inlet.....	JAXHF	1.75
38-120	1	Water Tube Assembly - Outlet.....	JAXHG	1.80
38-122	1	Crankcase Assembly Complete.....	JAXHJ	10.75
38-123	1	Steering Handle.....	JAXHK	1.20
38-126	1	Steering Rail with Stud.....	JAXHL	2.40
76-334	2	Spark Plug.....	JATVO	.65

PARTS USED ON 200-L THAT ARE DIFFERENT THAN 200

Part No.	No. Required per Motor	NAME OF PART	Code Word	Price
12-140	1	Lower Unit - Less Propeller.....	JAXGM	38.00
12-142	1	Drive Shaft Casing.....	JAXGN	7.50
12-158	1	Drive Shaft with Key.....	JAXGP	2.60
12-159	1	Gearcase Complete.....	JAXGQ	22.50
37-184	1	Exhaust Pipe.....	JAXHL	1.30
38-124	1	Water Tube Assembly - Inlet.....	JAXHM	1.80
38-125	1	Water Tube Assembly - Outlet.....	JAXHN	1.80

Order All Parts From Nearest Service Station or Dealer

Always Give Part Number and Motor Number

MAGNETO PARTS FOR MODEL 200

No.	No. Required per Motor	NAME OF PART	Code Word	Price
3-27	4	Lockwasher for Timing Lever and Breaker Bracket Screws	JAGIR	.025
5-114	9	Screw for Ignition Heels and Timing Lever.....	JABOS	.025
71-29	1	Spring Holder Bracket.....	JAGAD	.025
1-31	2	Screw for Breaker Plate.....	JABKU	.025
1-36	3	Bushing - Insulation.....	JAGZO	.025
1-38	1	Breaker Bracket.....	JACAK	.25
1-39	1	Spring for Breaker.....	JABLI	.025
1-45	1	Screw.....	JABLY	.025
1-46	4	Lockwasher for Stop Button and Condenser Screws...	JAGTO	.025
71-49	4	Washer for Breaker Bracket and Cutout Lead Screw..	JABME	.025
71-60	2	Terminal for Cutout Lead.....	JAGVO	.025
71-66	1	Insulation Washer.....	JABMO	.025
71-27	1	Insulation Plate for Breaker Bracket.....	JABMU	2 for .05
71-123	4	Screw for Stop Button Condenser and Ground Screw..	JABNI	.025
1-471	6	Screw for Coil Mounting.....	JAGEP	.025
1-471	2	Nut for Cutout Lead Screw.....	JAPFA	.05
71-610	1	Washer for Breaker Screw.....	JAGOP	.025
71-782	1	Tubing for Cutout Lead - Breaker End.....	JAPIJ	.05
71-783	1	Tubing for Cutout Lead - Timing Lever.....	JAPID	.05
71-809	1	Timing Lever Casting.....	JAGCR	.50
71-828	1	Screw for Cutout Lead.....	JAGHR	.025
71-933	1	Screw for Armature Plate Casting.....	JAPJN	.025
71-1063	1	Terminal for Primary Lead.....	JAQQW	.025
71-1074	2	Screw for Breaker Bracket.....	JAPZH	.025
71-1414	1	Washer for Armature Plate Clamp Screw.....	JAXBI	.025
71-1415	1	Washer for Armature Plate Clamp Screw.....	JXBJ	.025
71-1420	2	Grommet for H. T. Lead.....	JAWEY	.05

MAGNETO ASSEMBLIES

Part No.	No. Required per Motor	NAME OF PART	Code Word	Price
72-8	1	Breaker Complete	JAPBE	1.40
72-10	1	Breaker Blade.....	JABRU	.25
72-11	1	Contact Point and Screw.....	JABSO	.25
72-22	1	Breaker Plate and Post.....	JABPO	.55
72-537	1	Magneto Wrench.....	JABUL	.10
72-580	1	Coil Heel - Right.....	JAGLR	.40
72-581	1	Coil Heel - Left.....	JAGMR	.40
72-585	1	Timing Lever Complete.....	JAGPR	.85
72-702	1	Condenser.....	JAPJR	1.15
72-730	1	Stop Button.....	JAPFB	.15
72-768	1	Flywheel.....	JAQAL	12.50
72-769	1	Cam.....	JAQAM	.10
72-788	1	Magneto.....	JAQAN	28.00
72-790	1	Armature Plate Complete.....	JAQAO	16.00
72-815	1	Cutout Lead.....	JAQAO	.15
72-947	1	Coil - Less Heels.....	JATQO	6.00
72-948	1	Armature Plate and Clamp Screw.....	JATQP	2.75
72-949	1	Coil Assembly with Heels.....	JATQQ	7.25
72-954	2	Ignition Leads	JAVLO	.45

Order All Parts From Nearest Service Station or Dealer

Always Give Part Number and Motor Number

CARBURETOR PARTS FOR MODEL 200

Part No.	No. Required per Motor	NAME OF PART	Code Word	Price
1-3	1	Spring for Valve.....	JACAR	.05
1-5	1	Control Lever.....	JACAD	.35
1-8	1	Cover for Float.....	JACAX	.45
1-9	1	Spring for Float Cover.....	JACAZ	.05
1-10	1	Stuffing Nut for Needle Valve.....	JACBI	.10
1-11	1	Nozzle for Carburetor.....	JAGAS	.10
1-13	2	Adjusting Screw for Control Lever.....	JACBY	2 for .05
1-14	2	Nut for 1-13 Screw.....	JACCA	2 for .05
1-17	2	Set Screw for Control Lever and Hot Air Tube.....	JACDE	2 for .05
1-20	2	Screw for Valve Cover.....	JACDO	2 for .05
1-143	1	Valve for Carburetor.....	JANDJ	.90
1-144	1	Cover for Valve.....	JANDK	.50
1-146	1	Hot Air Tube.....	JAMDM	.75
1-148	1	Screw for Carburetor Clamp.....	JANDL	.25
1-149	1	Welch Core Plug.....	JANDN	.25
3-15	1	Cotter Pin for Float.....	JACEB	.02
3-34	1	Wood Screw for Float.....	JACEC	2 for .05
3-68	1	Float Only.....	JACES	.15
5-175	1	Washer for Cleanout Screw.....	JACFI	2 for .05
13-119	1	Screw for Cleanout.....	JACEW	.05
37-111	1	Gasket for Float Cover.....	JAWCC	.05
CARBURETOR ASSEMBLIES				
2-4	1	Control Lever and Set Screw.....	JACGY	.50
2-53	1	Carburetor Complete.....	JANDP	9.75
2-54	1	Carburetor Body and Spray Nozzle.....	JANDQ	4.00
2-55	1	Cover for Throttle Valve with Screws and Nuts.....	JANDR	.70
2-56	1	Clamp for Carburetor.....	JANDS	.50
4-102	1	Needle Valve.....	JACID	.40
4-103	1	Float Valve and Pin Assembly.....	JACIJ	.50
4-110	1	Float with Cotter Pin and Screw.....	JACIK	.40

REPAIR PARTS FOR 210 THAT ARE DIFFERENT FROM THOSE USED ON 200 MOTOR

Part No.	No. Required Per Motor	NAME OF PART	Code Word	List Price per Piece
11-235	1	Steering Handle.....	JAYST	1.25
13-478	1	Wood Plug for Grip.....	JAULJ	.05
19-124	1	Lockwasher - Muffler Bracket Screw.....	JAQDK	.025
21-358	1	Screw - Muffler to Cylinder Clamp.....	JARAK	.05
37-33	1	Bracket - Muffler to Gasoline Tank.....	JAZEC	.10
37-196	1	Muffler.....	JAZAX	4.75
37-197	1	Clamp - Muffler to Cylinder.....	JAZAY	.60
37-189	1	Exhaust Pipe.....	JAZAV	1.25
51-47	1	Screw - Muffler Bracket.....	JARRW	.05
ASSEMBLIES				
12-170	1	Steering Handle.....	JAZED	1.25
14-306	1	Grip and Steering Assembly - Steering Handle.....	JANCJ	.25
37-190	1	Exhaust Pipe (for 210L).....	JAZEE	1.30

Order All Parts From Nearest Service Station or Dealer

JOHNSON MOTORS PARTS DISTRIBUTORS AND SERVICE STATIONS

All Parts should be ordered from your nearest Service Station or Distributor

- ALABAMA**
 Masters Motor Co.
 422 S. 20th St.
 Birmingham
 McLeod & Co.
 In and Water Sts.
 Mobile
- ARIZONA**
 Phoenix Radio & Sup. Co.
 621 Central Avenue
 Phoenix
- KANSAS**
 Vaughn Hdw. Co.
 Hot Springs
 Stanley Outboard Motor Co.
 116 Maple St.
 N. Little Rock
- CALIFORNIA**
 *B. H. Hebgren Co.
 1861 S. Flower St.
 Los Angeles
 *B. H. Hebgren Co.
 27 Market Street
 Francisco
- CANADA**
 *Outboard, Marine & Mfg. Co.
 of Canada, Ltd.
 Peterborough, Ontario
- CONNECTICUT**
 The Essex Paint & Marine Co.
 Essex
 Clapp & Treat, Inc.
 68 State Street
 Hartford
 Cook, Newton & Smith, Inc.
 116 Crown St.
 New Haven
 Dumont Marine Sales
 City Dock
 New London
- FLORIDA**
 Bryan-Walker
 Main St.
 Gainesville
 Jacksonville Sptg. Goods Co.
 229 W. Forsythe St.
 Jacksonville
 *Low Hewes
 841 1/2 Biscayne Blvd.
 Miami
 Hopkins-Carter Hdw. Co.
 189 S. Miami Ave.
 Miami
 Florida Battery & Equip.
 814 W. Pine St.
 Orlando
 Runyan Machine & Boiler
 Works
 Pensacola
 Dickson-McLeod
 229 S. Monroe St.
 Tallahassee
 Tampa Johnson Sales & Service
 218-20 Tampa Street
 Tampa
- GEORGIA**
 Stubbs Hdw. & Sptg. Goods Co.
 21 Congress St., West
 Savannah
 Atlanta Outboard Marine
 811 Spring St., N. W.
 Atlanta
- ILLINOIS**
 Fred Ludolph
 6850 Stoney Island
 Chicago
 W. L. Masters & Son.
 800 N. Clark St.
 Chicago
 Maypole Boats and Motors
 5901 W. Madison St.
 Chicago
 Hewes Boat Co., Inc.
 Fox Lake, Illinois
 Joe Johnson Garage
 227 Sixth St.
 Rockford
- INDIANA**
 Em-Roe Sptg. Goods Co.
 209 Washington St.
 Indianapolis
 Kindig Bros.
 2222 Mishawaka Ave.
 South Bend
- IOWA**
 Davidson Co.
 7th and Walnut
 Des Moines
- KENTUCKY**
 Andrew Cowan & Co.
 421 W. Main St.
 Louisville
- LOUISIANA**
 *Arthur Duvie's Sons
 122 Chartres St.
 New Orleans
 *S. & L. Services & Storage
 Edwards & Travis St.
 Shreveport
- MAINE**
 Wells Sptg. Goods Co.
 52 Court St.
 Auburn
 Church Electric Co.
 2 Bridge Street
 Augusta
 Asa T. Gallupe
 Ft. Fairfield
 Albert G. Frost
 24 Forest Ave.
 Portland
- MARYLAND**
 G. Elmer Stagmer
 1520 N. Gay St.
 Baltimore
- MASSACHUSETTS**
 *Crandall-Hicks Company
 959 Commonwealth Ave.
 Boston
 Rapp-Huckins Co., Inc.
 138 Beverly St.
 Boston
 Allen Harbor Marine Service
 Harwich Port
 Crandall Company
 826 State St.
 Springfield
- MICHIGAN**
 Bay City Hdw. Co.
 1009 Saginaw St.
 Bay City
 Gardner Bros.
 99 West Main St.
 Benton Harbor
 *Henry H. Smith Co., E.
 358 Jefferson Ave., E.
 Detroit
 Outboard Service
 3205 Detroit St.
 Flint
 C. G. Balah
 136 Michigan St., N. W.
 Grand Rapids
 Erickson Boat Shop
 Harbor Springs
 *Shand's
 Plainwell
 Irving C. Murray
 447 E. Front St.
 Traverse City
- MINNESOTA**
 Alexandria Hdws. & Lbr. Co.
 Alexandria
 A. C. White Sptg. Shop
 Brainerd
 Duluth Hardware Co.
 19-21 2nd Ave., W.
 Duluth
 United Elec. Service Co.
 301 E. Superior St.
 Duluth
 Paul H. Kinports
 928 Third St.
 International Falls
 Larson Boat Works
 First St., N. E.
 Little Falls
- Mahowald Cycle Co.
 Mankato
 Nelson Sales & Service
 1508 Hennepin Ave.
 Minneapolis
 Missawa Oil Co.
 Missawa
 *Motor Power Equipment Co.
 Ford Road & River Blvd.
 St. Paul
 Parks Machine Co.
 199 W. 6th St.
 St. Paul
 McClellan Auto Elec.
 Virginia
 Walker Hdws.
 Walker
- MISSOURI**
 *Star Boat & Motor Co.
 15th & Blue River
 Kansas City
 Ralph G. Schmitt & Co.
 1211 S. Vandeventer Blvd.
 St. Louis
 S. Huston Elsnar
 Sweet Springs
- NEBRASKA**
 City Gun & Lock Co.
 817 South 14th St.
 Omaha
- NEW JERSEY**
 Carl W. Bush Company
 518 Broad St.
 Newark
- NEW YORK**
 *F. R. Smith & Son
 Bolton Landing
 Buffalo Marine Mart
 1261 Niagara St.
 Buffalo
 Ed Hauptner
 435 City Island Ave.
 City Island
 Swan Marine Sales Co., Inc.
 45 Swan Street
 Buffalo
 Charles E. Cool
 61 Geneva St.
 Geneva
 *Automotive Electric Service
 Corp.
 108 West 63rd St.
 New York
 Bronx Johnson Motor Co.
 3395 East Fremont Ave.
 N. Y. City
 Armstrong & Galbraith
 623 8th Ave.
 N. Y. City
 Wards Sptg. Store
 321 Isabelle St.
 Ogdensburg
 Valentine Brothers
 184-19 Northern Blvd.
 Flushing
 Rochester Marine Co., Inc.
 48 Scio St.
 Rochester
 *F. M. Baker
 119 River St.
 Saranac Lake
 *Syracuse Boat Co.
 935 S. Salina St.
 Syracuse
 Harry H. Henry
 1598 Broadway
 Watervliet
- NORTH CAROLINA**
 Outboard Marine & Refrig. Co.
 35 Patton Avenue
 Asheville
 Queen City Cycle Co.
 209 Market St.
 Wilmington
- OHIO**
 Anchor Canoe Livery
 (M. F. Cooper, Mgr.)
 1007 Bowers St.
 Akron
 Powell & Clement
 420 Main St.
 Cincinnati
 Barnes Boat Mart
 3107 Detroit Ave.
 Cleveland
- *Zucker Marine Supply Co.
 5200 St. Clair Ave., N. E.
 Cleveland
 Worthy R. Brown & Son
 Lakeside
 The Union Supply Co.
 27-31 Superior St.
 Toledo
- OREGON**
 *The Beebe Co.
 504 S. W. First Ave.
 Portland
- PENNSYLVANIA**
 *Johnson & Towers, Inc.
 112-115 Market St.
 Philadelphia
 Robt. S. Miller
 Evergreen St.
 Harrisburg
- RHODE ISLAND**
 Gustave L. Heuresux
 2210 Broad St.
 Edgewood Station
 Providence
- SOUTH CAROLINA**
 Johnson Outboard Motor Service
 608 Main St.
 Columbia
- TENNESSEE**
 York Arms Company
 162 S. Main Street
 Memphis
 Volunteer Motor Co.
 119 N. 3rd Avenue
 Nashville
- TEXAS**
 Boats & Motors, Inc.
 412 Congress Ave.
 Austin
 *Cullum & Boren
 1509 Elm Street
 Dallas
 *Lechsenger Marine Store
 1718 Main St.
 Houston
 Potcherzicks
 211 St. Mary's St.
 San Antonio
- VERMONT**
 Champlain Marine Co., Inc.
 Burlington
 Chas. R. McMaster
 105 State St.
 Rutland, Vt.
- VIRGINIA**
 Motor Boat Sales, Inc.
 3 West Grace St.
 Richmond
 Tignor's Inc.
 785 E. Main St.
 Richmond
- WASHINGTON**
 *Pacific Marine Supply Co.
 1223 Western Ave.
 Seattle
- WEST VIRGINIA**
 The Gray Roofing Co.
 205 Market St.
 Parkersburg
- WISCONSIN**
 Bricknell's Valley Marine Sales
 40 Lake Drive
 Oshkosh
 Sherrill Outboard Shop
 Chetek
 J. A. Dewyer Boat Works
 Eagle River
 Gordon Bent Co.
 125 Main St.
 Green Bay
 Ruggles Motor Service
 1848 Kenilworth Place
 Milwaukee
 Bassetta Super Service Station
 Minoqua
 A. L. Haglun
 % Larson Chev. Co.
 Superior
 A. L. Koch Co.
 302 W. College Ave.
 Appleton

Note: Those Starred (*) are Parts Distributors who carry a complete stock of parts.

JOHNSON MOTORS
 Waukegan, Illinois

