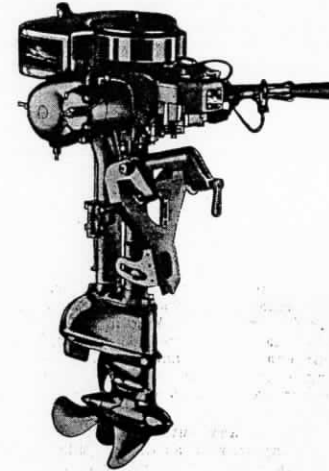


REPAIR PARTS CATALOG

22 hp
For Models *1935* *1937* *1938* *1939*
PO-75, PO-80, PO-37 PO-38, PO-39,
1936 **and PO-10 Incl.**
1940



JOHNSON MOTORS

Waukegan, Illinois, U. S. A.

All Prices Subject to Change Without Notice

How to Order Parts

- 1st Give MOTOR SERIAL NUMBER AND MODEL, which will be found on cover plate of magneto.
- 2nd Look in list for part number which will show name and price per piece.
- 3rd Write order plainly, giving the motor number, part number, name of part and price per piece.
- 4th Show to whom parts are to be shipped.
- 5th To insure quick service, ALWAYS INCLUDE REMITTANCE WITH POSTAGE TO COVER CARRYING CHARGES AND INSURANCE. Stamps are accepted as cash up to 25 cents. A minimum charge of 25¢ will be made on all orders amounting to less than that amount. All parts shipped insured at a charge of 5 cents extra.

IMPORTANT:

No replacements made unless regular claim is entered on form provided for that purpose by all authorized dealers or service stations.
ALL DEFECTIVE PARTS MUST BE RETURNED WITH CLAIM FORM PROPERLY FILLED IN, TRANSPORTATION PREPAID, before any replacements will be made.
 All prices are subject to change without notice.

Care of Motors When Used in Salt Water

Regardless of the material used in the construction of an outboard motor, it will corrode and tarnish to a certain extent when used in salt water. It is of importance, therefore, to adhere closely to the following instructions if you want to receive the most from your motor.

1. Remove the motor from the boat when it is not in service.
2. Flush out the cooling system as soon as possible.
3. Rinse off thoroughly with fresh water.
4. Wipe dry with a cloth.
5. Go over all the bright parts with an oily cloth, especially if the motor is to be stored for any length of time.

Warranty

All Johnson Motors (racing models excepted) are warranted to be free from defects in material and workmanship under normal use and service, our obligation under this Warranty being limited to making good at our factory in Waukegan, Illinois, any part or parts thereof which shall, within three months after date of delivery to owner, be returned to us with transportation charges prepaid, and which our examination shall disclose to our satisfaction to have been thus defective, this Warranty being expressly in lieu of all other warranties and representations, express or implied, and of all other liabilities in connection with the sale or use of our outboard motors.

This Warranty shall not apply to any outboard motor which shall have been repaired or altered outside of the factory in any way so as in our judgment, to affect its stability or reliability, nor which has been subject to misuse, negligence or accident.

CLAIMS MUST BE ENTERED ON ALL RETURNED GOODS

Regular claim forms are provided all our dealers, service stations and distributors. All claims must be entered on this form, No. SE-16, before parts are returned to factory. No part will be replaced unless this form is used. See your dealers for claim form.

All material—motors or parts—be returned to your nearest service station or dealer—TRANSPORTATION CHARGES PREPAID.

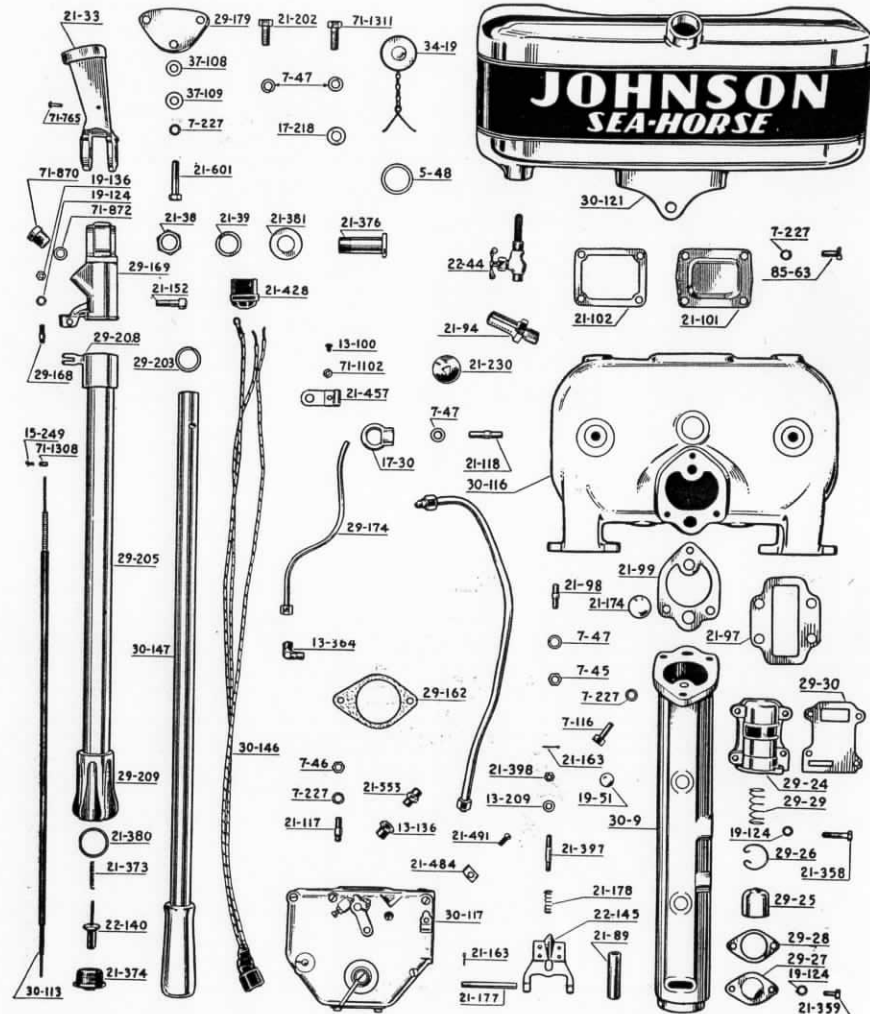
REMEMBER—ALWAYS request a claim form and properly fill it in before returning any material to our service station or distributor.

WARRANTY DOES NOT APPLY TO RACING MOTORS

Due to the excessive strains and stresses placed upon motors when used for racing, all Johnson motors of racing model or all other models when used for racing are sold with the distinct understanding that they are not guaranteed in any manner, and Johnson Motors does not assume any responsibility for injury or damage sustained from their use thereof.

Always Give Part Number and Motor Number

POWER HEAD PARTS FOR P-75 TO PO-10 INCLUSIVE



REPAIR PARTS

Part No.	No. Required Per Motor	NAME OF PART	List Price per Piece
3-28	4	Lockwasher - Carburetor Panel Screw.....	.025
5-48	1	Gasket - Filler Cap.....	.05
5-58	2	Lockwasher - Driveshaft Casing to Pinion.....	.05
		Shaft Casing Studs.....	.10
7-6	1	Screen - Oil Suction - C. C. Head.....	.05
7-17	1	Washer - Oil Steering Screen.....	.05
7-31	2	Screw - Swivel Bracket.....	.10
7-45	21	Nut - Cylinder Head Stud - Bypass Valve Shaft - Relief valve Shaft - Lower Unit - Muffler to Powerhead.....	.05
7-46	16	Nut - Crankcase Head to Crankcase - Cylinder Base Stud - Relief Valve and Carburetor to Crankcase.....	.025
7-47	15	Lockwasher - Lower Unit and Muffler to Powerhead - Gas Tank Screws.....	.025
7-88	2	Swivel Plate - Stern Bracket Clamp Screw.....	.30
7-104	1	Washer - Thrust Socket Bolt.....	.15
7-105	1	Nut - Thrust Socket Bolt.....	.45
7-116	3	Screw - Exhaust Pipe to Muffler.....	.15
7-123	1	Lining - Thrust Socket.....	1.10
7-221	1	Plug - Crankcase Head.....	.025
7-224	1	Gasket - Cover Plate to Flywheel.....	.025
7-227	24	Lockwasher - Crankcase Head Nuts - Relief Valve Bracket Screw - Swivel Bracket - Driveshaft Casing to Pinion Shaft Casing Stud - Carburetor to Crankcase Stud - Cutout Plate and Exhaust Pipe Screws.....	.025
7-258	1	Tee - Crankcase Head.....	.60
7-261	8	Gland - Water Tube.....	.10
13-52	2	Lockwasher - Ratchet Lever - Bracket Screws.....	.025
13-100	1	Clampscrow - Carburetor Drain Clip.....	.025
13-136	1	Bushing - Straight Connection to Carburetor.....	.15
13-209	1	Washer - Ratchet Lever Spring.....	.025
13-304	3	Gland - Oil Line and Carburetor Drain Pipe.....	.025
13-305	3	Nut - Oil Line and Carburetor Drain Pipe.....	.10
13-364	1	Elbow - Oil Line - Inlet.....	.15
13-365	1	Straight Fitting - Oil Line - Return.....	.15
13-481	2	Lockwasher - Bypass Valve Shaft - Relief Valve Shaft.....	.025
15-34	1	Lockwasher - Flywheel Nut.....	.025
15-194	1	Nut - Flywheel.....	.85
15-195	2	Cotter Pin - Ratchet Lever Pin.....	.025
15-197	2	Ball Joint - Bypass Valve to Relief Valve.....	.30
15-213	1	Cotter Pin - Relief Valve.....	.025
15-249	1	Clampscrow - Swivel Nut.....	.025
17-14	1	Bushing - Swivel Bracket.....	1.20
17-22	2	Thrust Washer - Swivel Bracket.....	.20
17-30	2	Eyenuit - Muffler.....	.50
17-72	4	Rivet - Thrust Socket Lining.....	.025
17-95	4	Ferrule - Driveshaft Casing Water Tubes.....	.15
17-131	2	Gland - Gasoline Line.....	.025
17-132	2	Nut - Gasoline Line.....	.10
17-138	6	Elbow - Water Tube.....	.20
17-139	8	Nut - Water Tube.....	.10
17-218	1	Spacer - Tank Support.....	.05
19-54	2	Nut for Pinion Shaft Casing to Driveshaft Casing Stud.....	.15
19-84	1	Cotter Pin - Propeller Nut.....	.05
19-95	1	Washer - Plain - Propeller Shaft.....	.05
19-102	1	Shear Pin - Propeller.....	.05
19-124	3	Lockwasher - Clampscrow Control Cable - Exhaust Cutout Cap.....	.025
19-136	3	Nut for Wrist Pin Lock Screw - Clampscrow Control Cable.....	.05
19-137	2	Lockwasher - Wrist Pin Lock Screw.....	.025

Order All Parts from Nearest Dealer or Service Station

PARTS FOR P-75, P-80, PO-37, PO-38, PO-39, PO-10—Cont.

Part No.	No. Required Per Motor	NAME OF PART	List Price per Piece
19-139	2	Key - Bypass Valve Lever - Relief Valve Shaft.....	.025
19-161	2	Nut - Pinion and Propeller Shaft.....	.10
21-28	1	Gasket - Crankcase Head to Lower Unit.....	.10
21-29	1	Gasket - Crankcase Head to Crankcase.....	.05
21-33	1	Bracket - Steering Handle.....	5.50
21-38	2	Nut - Hinge Pin - Steering Handle.....	.15
21-39	1	Washer - Hinge Pin Nuts.....	.05
21-44	2	Lockscrew - Wrist Pin.....	.15
21-45	3	Screw - Flywheel Cover Plate.....	.30
21-46	2	Pin - Clampscrow Handle.....	.10
21-47	6	Rivet - Quadrant to Stern Bracket.....	.05
21-51	1	Bolt - Gearcase Head.....	1.25
21-55	1	Washer - Gearcase Head Bolt.....	.025
21-56	1	Pin - Bearing Retainer - Gearcase.....	.10
21-59	1	Dowel Pin - Gearcase to Pinion Shaft Casing.....	.10
21-62	1	Thrust Washer - Pinion Shaft.....	.15
21-63	2	Plug - Driveshaft Casing and Pinion Shaft Casing.....	.20
21-64	1	Grease Plug - Gearcase.....	.35
21-65	1	Gasket - Pinion Shaft Casing to Driveshaft Casing.....	.10
21-66	2	Water Tube - D. S. Casing.....	.70
21-68	1	Stud - Driveshaft Casing to Pinion Shaft Casing.....	.20
21-82	2	Quadrant - Stern Bracket.....	1.65
21-84	1	Bolt - Thrust Socket (Order 22-375003).....	1.40
21-88	1	Spline Coupling - Driveshaft.....	2.05
21-89	1	Coupling - Water Tube - Exhaust Pipe to Pinion Shaft Casing.....	.75
21-92	2	Clampscrow Only - Stern Bracket.....	.65
21-94	2	Motor Rest - Muffler.....	.90
21-97	2	Gasket - Muffler to Cylinder.....	.10
21-98	8	Stud - Muffler.....	.10
21-99	1	Gasket - Exhaust Pipe to Muffler.....	.10
21-101	1	Cutout Plate - Muffler.....	.50
21-102	1	Gasket - Cutout Plate.....	.05
21-108	1	Lever - Relief Valve.....	.10
21-110	1	Bushing - Relief Valve.....	.45
21-113	2	Lever - Bypass Valve - Relief Valve.....	.45
21-114	1	Spring - Relief Valve.....	.10
21-116	1	Bearing - Bypass Valve.....	2.10
21-117	4	Stud - Relief Valve Bracket - Carburetor to Crankcase.....	.05
21-118	2	Stud - Muffler Eyenuit.....	.10
21-120	2	Lockwasher - Pinion Shaft and Propeller Shaft Nuts.....	.05
21-121	1	Washer - Grease Plug - Gearcase.....	.025
21-122	2	Washer - Driveshaft Casing and Pinion Shaft Casing Plug.....	.025
21-152	2	Clampscrow - Bracket - Steering Handle Hinge.....	.15
21-153	8	Stud - Cylinder Head.....	.15
21-154	8	Washer - Cylinder Head Stud.....	.025
21-163	1	Cotter Pin - Ratchet Lever Stud.....	.025
21-165	1	Washer - Relief Valve.....	.025
21-170	2	Stud - Crankcase Head to Crankcase - Short.....	.10
21-173	1	Pin - Driveshaft Spline Coupling.....	.025
21-174	4	Core Plug - Muffler - Small.....	.05
21-177	1	Pin - Ratchet Lever.....	.15
21-178	1	Spring - Ratchet Lever.....	.10
21-187	2	Stud - Crankcase Head to Crankcase - Long.....	.10
21-189	4	Stud - Powerhead to Lower Unit.....	.15
21-190	1	Gasket - Bypass Valve.....	.05
21-191	2	Dowel Pin - Cylinder Head.....	.05
21-192	1	Spacer - Tank Support.....	.35
21-198	2	Key - Crankshaft.....	.15
21-202	2	Screw - Gasoline Tank to Cylinder.....	.05
21-212	1	Spring - Bypass Valve.....	.30
21-213	1	Washer - Bypass Valve.....	.025
21-222	1	Spring - Relief Valve.....	.05
21-230	2	Core Plug - Muffler - Large.....	.05
21-283	4	Screw - Carburetor Panel.....	.025

Order All Parts from Nearest Dealer or Service Station

Always Give Part Number and Motor Number

PARTS FOR P-75, P-80, PO-37, PO-38, PO-39, PO-10—Cont.

Part No.	No. Required Per Motor	NAME OF PART	List Price per Piece
21-294	4	Lockplate - Connecting Rod Screw.....	.025
21-344	1	Nut - Tilting Shaft.....	1.25
21-349	2	Handle - Stern Bracket Clamp Screw.....	.75
21-352	1	Bracket - Relief Valve.....	2.50
21-354	1	Bushing - Relief Valve Bracket.....	1.10
21-355	1	Bushing - Relief Valve Handle.....	1.25
21-356	1	Shaft - Relief Valve Handle.....	3.85
21-358	4	Screw - Cutout to Exhaust Pipe.....	.05
21-359	2	Screw - Exhaust Cutout Cap.....	.025
21-360	1	Groove Pin - Relief Valve Handle.....	.05
21-373	1	Spring - Stop Switch.....	.05
21-374	1	Cap - Steering Handle.....	.35
21-375	1	Grip - Steering Handle.....	2.50
21-376	1	Hinge Pin.....	1.85
21-379	1	Washer - Stop Button.....	.025
21-380	1	Washer - Steering Handle Cap.....	.025
21-381	2	Thrust Washer - Hinge Pin.....	.05
21-396	1	Bracket - Ratchet Lever.....	.10
21-397	1	Stud - Ratchet Lever.....	.15
21-398	1	Nut - Ratchet Lever Stud.....	.05
21-428	1	Attachment Plug Body.....	.85
21-431	1	Journal Bearing - Lower (Order 29-300, 435).....	2.75
21-434	1	Oil Slinger - Crankshaft.....	.60
21-435	1	Cover Plate - Flywheel.....	4.95
21-448	2	Thrust Washer - Swivel Bracket to Stern Bracket.....	.15
21-457	1	Clip - Carburetor Drain Pipe.....	.20
21-475	1	Nut - Driveshaft Casing to Pinion Shaft Casing Stud.....	.15
21-484	1	Clip - Carburetor Control Cable.....	.05
21-491	1	Screw - Carburetor Control Cable Clip.....	.05
21-553	1	Straight Fitting - Gas Line to Carburetor.....	.35
21-592	1	Washer - Plain - Pinion Shaft Nut.....	.025
21-594	1	Starting Instructions - Gasoline Tank.....	N/C
21-595	1	Oiling Instructions - Gasoline Tank.....	N/C
21-601	5	Screw - Swivel Bracket - Steering Handle to Cylinder.....	.10
23-17	1	Shim - Bevel Pinion.....	.05
23-42	1	Bevel Pinion Gear (Order 30-375543 Assem.).....	10.50
23-43	1	Bevel Gear - Propeller Shaft (Order 30-375543 Assem.).....	10.50
23-44	1	Gearcase Only - Less Bearings.....	22.00
23-46	1	Pinion Shaft.....	9.10
23-53	1	Nut - Propeller.....	1.00
*23-54	1	Gasket - Gearcase Head.....	.10
23-57	2	Stud - Gearcase to Driveshaft Casing.....	2.50
23-58	1	Gasket - Gearcase to Pinion Shaft Casing.....	.05
23-61	1	Bearing - Pinion Shaft Casing - Upper.....	1.00
23-63	1	Handle - Relief Valve Lever.....	1.10
23-77	1	Pinion Shaft Casing Only Less Bearings.....	33.00
*23-87	1	Retainer - Propeller Shaft Thrust Bearing.....	2.50
*23-90	1	Locknut - Gearcase Head.....	3.05
*23-91	1	Cap for Gearcase Head.....	2.20
23-162	1	Shim - Bevel Pinion Gear.....	.05
23-172	1	Key - Bevel Gear.....	.10
23-282	1	Cork Packing - Propeller Shaft Bushing.....	.10
23-283	1	Cap - Propeller Shaft Bushing (Order 30-375428).....	.45
23-284	1	Bearing - Propeller Shaft - Propeller End.....	2.75
29-10	6	Piston Ring.....	.35
29-11	2	Wrist Pin - Piston.....	.95
29-12	2	Bushing - Wrist Pin - Connecting Rod.....	.65
29-13	1	Bypass Valve.....	4.40
29-15	2	Gasket - Cylinder Base.....	.05
29-16	1	Relief Valve.....	1.10
29-21	1	Rod - Bypass Valve to Relief Valve.....	.10
29-24	1	Body - Exhaust Cutout.....	2.20
29-25	1	Plunger - Exhaust Cutout.....	1.40
29-26	1	Retaining Ring - Exhaust Cutout.....	.15

*Not used on PO-15 Models.

Order All Parts from Nearest Dealer or Service Station

Always Give Part Number and Motor Number

PARTS FOR P-75, P-80, PO-37, PO-38, PO-39, PO-10—Cont.

Part No.	No. Required Per Motor	NAME OF PART	List Price per Piece
29-27	1	Cap - Exhaust Cutout.....	.35
29-28	1	Gasket - Exhaust Cutout Cap.....	.05
29-29	1	Spring - Exhaust Cutout Plunger.....	.10
29-30	1	Gasket - Exhaust Cutout to Exhaust Pipe.....	.05
29-51	2	Gasket - Cylinder Head.....	.65
29-151	1	Transfer - Gasoline Tank.....	Net .35
29-154	2	Piston (Order 30-375344).....	8.25
29-155	24	Rollers - Connecting Rod Bearing.....	.05
29-156	2	Retainer - Connecting Rod Rollers.....	3.30
29-157	1	Cylinder Head - Star.....	9.90
29-158	1	Cylinder Head - Port.....	10.75
29-159	1	Journal Bearing - Upper (Order 29-300, 436).....	4.15
29-160	1	Crankcase Only - Less Bearings and Studs.....	34.50
29-162	1	Gasket - Carburetor to Crankcase.....	.05
29-167	1	Panel - Carburetor.....	.90
29-168	1	Clampscrow - Bowden Cable.....	.15
29-169	1	Hinge - Steering Handle.....	5.25
29-170	1	Gasket - Carburetor Panel.....	.05
29-174	1	Pipe - Carburetor Drain.....	.30
29-175	1	Propeller (Order 375581).....	5.50
29-177	8	Stud - Cylinder to Crankcase.....	.10
29-178	4	Screw - Connecting Rod.....	.30
29-179	1	Rubber Base - Steering Handle.....	.30
29-180	1	Spring Clip - Driveshaft Casing Water Tubes.....	.10
29-181	1	Stud - Propeller Shaft.....	.65
29-201	2	Spray Guard.....	.85
29-203	2	Bushing - Steering Handle.....	.15
29-204	1	Tube - Inner - Steering Handle.....	3.60
29-205	1	Tube - Control Handle - Outer.....	1.95
29-208	1	Lever - Steering Handle.....	1.25
29-209	1	Control Handle - Steering Handle.....	1.65
37-108	3	Retainer Washer - Steering Handle to Cylinder Screws.....	.05
37-109	3	Rubber Washer - Steering Handle to Cylinder Screws.....	.05
41-150	1	Pin - Journal Bearing to Crankcase Head.....	.05
43-128	1	Feeler Gauge.....	.10
51-47	2	Screw - Ratchet Lever Bracket.....	.05
51-115	8	Washer - Cylinder Base Studs.....	.025
71-765	1	Screw - Ground Wire to Handle.....	.025
71-870	1	Plug - Insulator for Cutout Wire - Steering Handle.....	.30
71-872	1	Packing Washer - For Cutout Wire Insulation Plug.....	.05
71-1102	2	Nut - Carburetor Drain Clampscrew.....	.025
71-1308	1	Swivel Nut - Control Cable at Steering Handle.....	.15
71-1311	1	Screw - Gas Tank Support.....	.05
85-63	4	Screw - Cutout Plate to Muffler.....	.05
85-64	3	Check Nut - Ball Joint Relief Valve.....	.025
ASSEMBLIES FOR P-75, P-80, PO-38, PO-39, PO-10			
8-35	1	Thrust Socket.....	4.15
16-19	1	Starting Rope.....	.30
22-15	1	Driveshaft.....	10.75
22-44	1	Shut-off Valve - Gasoline Tank.....	2.00
22-65	1	Stern Bracket with Quadrants Only.....	20.00
22-78	1	Swivel Bracket.....	13.25
22-92	1	Water Tube Outlet - Starboard.....	.85
22-93	1	Water Tube Outlet - Port.....	.85
22-137	1	Relief Valve Lever and Shaft Assembly.....	8.25
22-139	2	Clampscrow and Handle Assembly for Stern Bracket.....	1.65
22-140	1	Push Button - Steering Handle Cap.....	1.30
22-141	1	Contact Block Only.....	.75

Order All Parts from Nearest Dealer or Service Station

Always Give Part Number and Motor Number

PARTS FOR P-75, P-80, PO-37, PO-38, PO-39, PO-10—Cont.

Part No.	No. Required Per Motor	NAME OF PART	List Price per Piece
22-145	1	Ratchet Lever for Armature Plate.....	1.10
22-165	1	Tilting Shaft.....	1.85
22-204	1	Relief Valve Complete.....	14.00
22-280	1	Crankcase Head and Bearing (Order 22-375,119).....	13.50
24-22	1	Pinion Shaft Casing Only with Bearing.....	49.50
††24-52	2	Bearing - Thrust for Lower Pinion Shaft and Propeller Shaft.....	5.95
24-107	1	Lower Unit - Less Propeller.....	206.25
24-124	1	Gearcase and Head with Bronze Bearing.....	33.00
24-207	1	Gearcase and Pinion Shaft Casing Assembly Less Gears and Shafts.....	79.75
30-9	1	Exhaust Pipe Only.....	18.25
30-14	1	Exhaust Pipe with Cutout.....	18.25
30-16	1	Tool Kit.....	Net 2.00
30-18	2	Water Tube - Inlet - Star and Port.....	.75
30-23	1	Cylinder - Star.....	24.00
30-24	1	Cylinder - Port.....	24.00
30-25	1	Exhaust Cutout Assembly.....	4.70
30-63	1	Gasoline Line.....	1.25
30-113	1	Control Cable - Carburetor.....	3.05
30-116	1	Muffler Assembly Complete.....	49.50
30-117	1	Carburetor.....	28.50
30-118	2	Connecting Rod with Lockplates.....	17.00
30-119	2	Piston and Connecting Rod Assembly.....	25.50
30-120	1	Cylinder Head with Relief Valve - Port.....	11.00
30-121	1	Gasoline Tank with Transfer.....	34.00
30-122	1	Crankcase Complete with Bearings.....	49.50
30-123	1	Crankshaft (Order 29-165).....	43.00
30-131	1	Oil Line - Inlet.....	.85
30-134	1	Driveshaft Casing.....	29.75
30-139	1	Propeller Shaft (Order 30-375,083).....	8.25
30-146	1	Contact Block and Lead Assembly - Steering Handle.....	2.30
30-147	1	Grip and Tube Assembly - Steering Handle.....	7.15
34-19	1	Filler Cap - Gasoline Tank.....	1.65
76-131	2	Spark Plug.....	1.00
76-143	1	Steering Handle Complete.....	23.00

PARTS FOR PL-75, PL-80, POL-37, POL-38, POL-39, POL-10 THAT ARE DIFFERENT THAN THOSE USED ON ALL STANDARD LENGTH MODELS

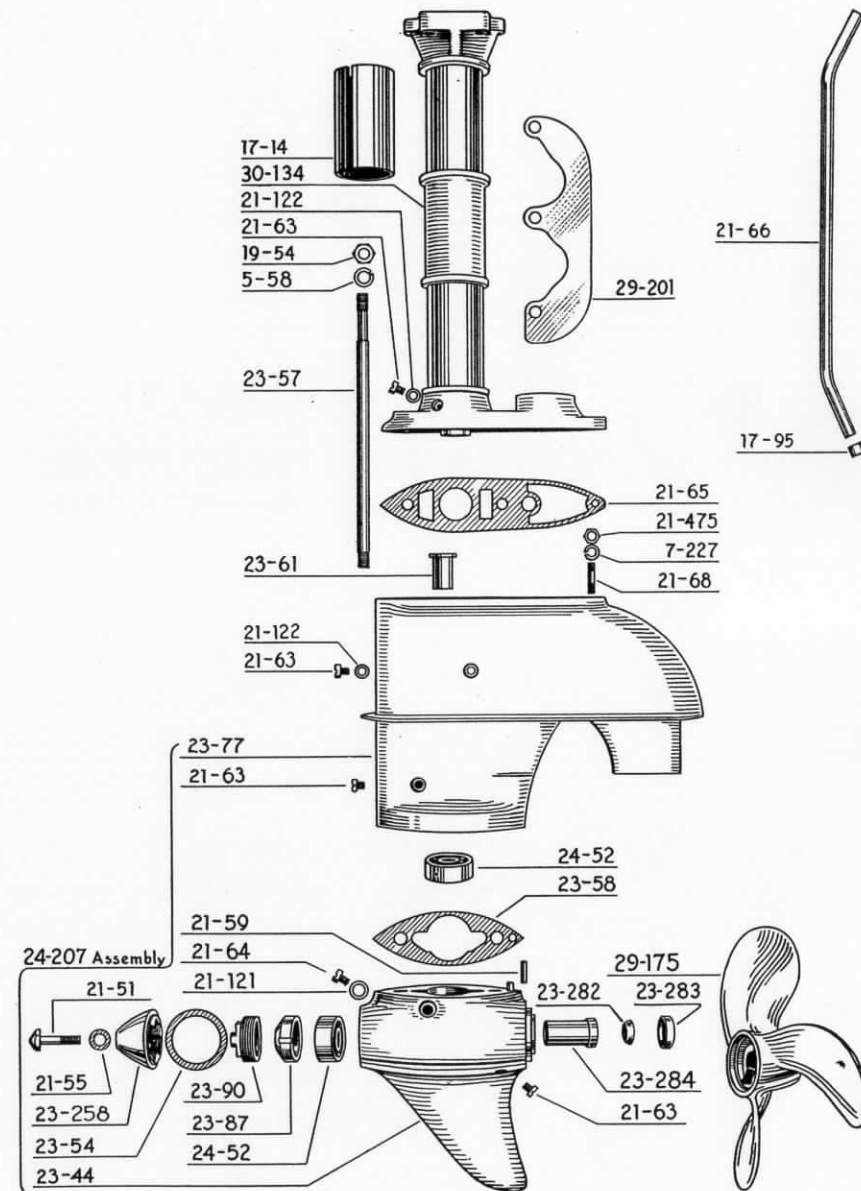
Part No.	No. Required Per Motor	NAME OF PART	List Price per Piece
21-161	2	Water Tube - Driveshaft Casing.....	.90
22-40	1	Driveshaft.....	11.25
24-108	1	Lower Unit - Less Propeller.....	215.00
30-10	1	Exhaust Pipe Only.....	22.00
30-15	1	Exhaust Pipe Complete with Cutout.....	22.00
30-143	1	Driveshaft Casing.....	37.50

††One used only on PO-15 Models. Part 29-300316 Bearing for Propeller Shaft used on PO-15 Models.

Order All Parts from Nearest Dealer or Service Station

Always Give Part Number and Motor Number

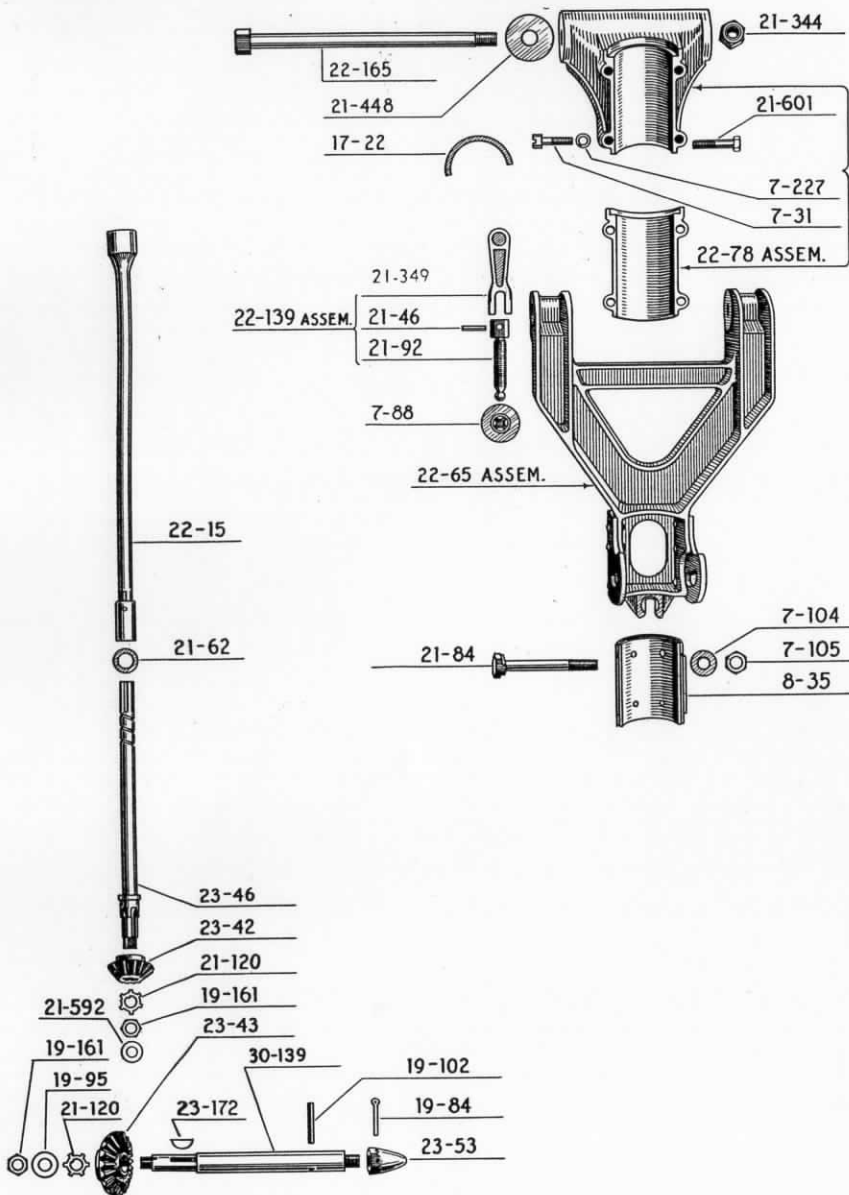
LOWER UNIT PARTS FOR P-75 TO PO-10 INCLUSIVE



Order All Parts from Nearest Dealer or Service Station

Always Give Part Number and Motor Number

LOWER UNIT PARTS FOR P-75 TO PO-10 INCLUSIVE



Order All Parts from Nearest Dealer or Service Station

Always Give Part Number and Motor Number

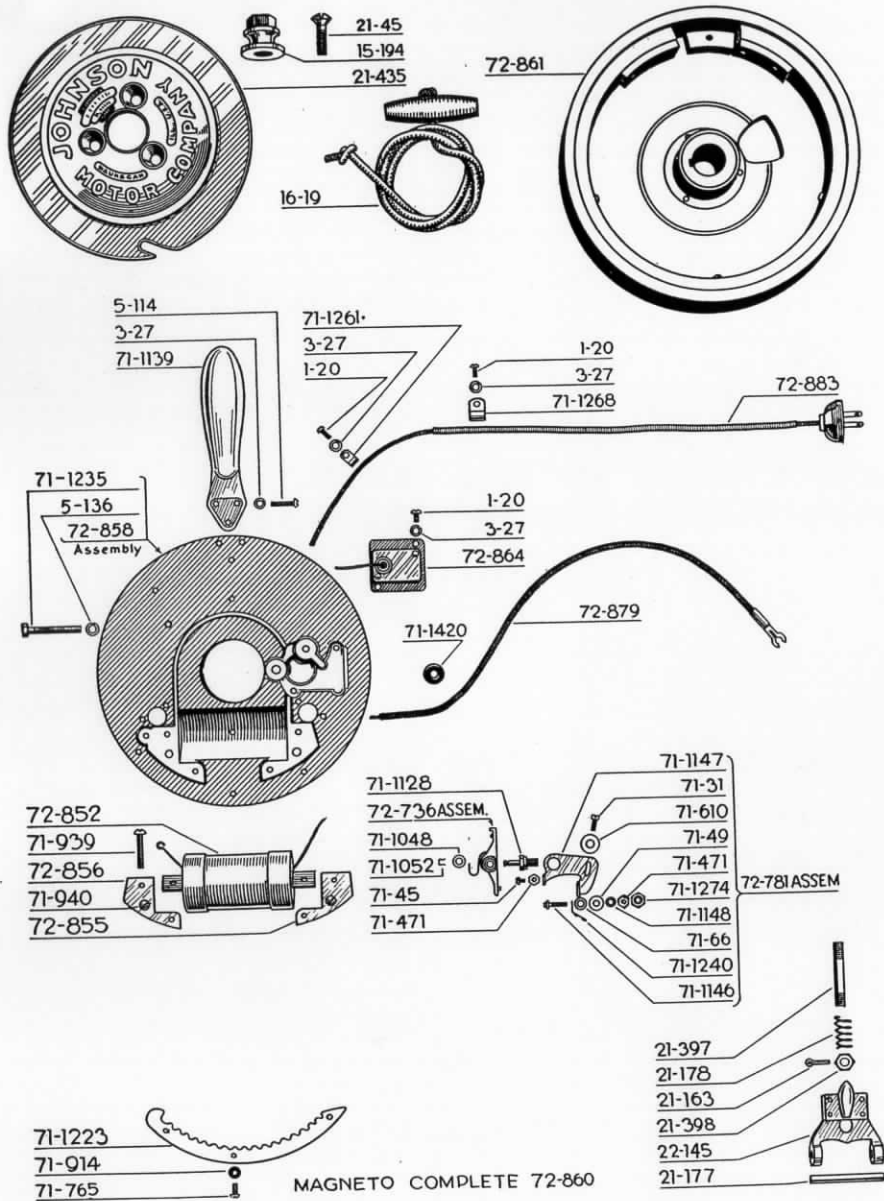
MAGNETO PARTS FOR P-75, P-80, PO-39 AND PO-10

Part No.	No. Required Per Motor	NAME OF PART	List Price per Piece
1-20	5	Screw for Condenser Mounting, Cutout Lead Clips and Ground	2 for .05
3-27	8	Lockwasher for Condenser and Timing Lever Mounting	2 for .05
3-28	3	Lockwasher for Quadrant Screw	2 for .05
5-114	3	Screw for Timing Lever and High Tension Lead Mounting	2 for .05
71-31	1	Screw for Mounting Breaker	.05
71-45	1	Screw for Spring Mounting	2 for .05
71-49	1	Washer for Contact Screw	2 for .05
71-60	1	Terminal for Cutout Lead	.05
71-66	2	Insulation Washer for Contact Screw	2 for .05
71-471	2	Nut for Screw 71-45 and Contact Point Screw	.025
71-610	1	Washer for Breaker Mounting Screw	.05
71-765	3	Screw for Quadrant	2 for .05
71-783	1	Insulation Tubing for Cutout Lead	.05
71-914	4	Shake-proof Lockwasher for High Tension Mounting	2 for .05
71-939	4	Screw for Mounting Coil to Plate	2 for .05
71-940	2	Screw for Heels	2 for .05
71-1048	1	Washer for Breaker Post	2 for .05
71-1052	1	Clip Spring for Breaker Post	2 for .05
71-1054	3	Drive Screw for Mounting Cam	2 for .05
71-1126	1	Cam	1.10
71-1128	1	Breaker Post	.15
71-1139	1	Timing Lever Casting	1.65
71-1223	1	Quadrant	.55
71-1229	2	Terminal for Ignition Lead	.10
71-1235	1	Screw for Armature Plate Clamp	.15
71-1240	1	Terminal for Breaker	.10
71-1261	1	Clip for Cutout Lead	2 for .05
71-1268	1	Clip for Cutout Lead Armor	.05
71-1274	1	Locknut for Contact Screw	.05
71-1369	1	Felt Pad for Condenser Pocket	2 for .05
71-1420	2	Grommet for Ignition Lead	.05
MAGNETO ASSEMBLIES FOR P-75, P-80, P-37, PO-38, PO-39 AND PO-10			
72-736	1	Breaker Arm and Spring Assembly	1.05
72-781	1	Breaker Plate and Point Assembly	.85
72-851	1	Coil Assembly (with Heels)	11.50
72-852	1	Coil Assembly (less Heels)	9.35
72-855	1	Heel Assembly—Right Hand	.85
72-856	1	Heel Assembly—Left Hand	.85
72-858	1	Armature Plate and Clamp Screw Only	6.60
72-859	1	Armature Plate Assembly Complete	29.75
72-860	1	Magneto Complete	72.50
72-861	1	Dome Assembly	43.00
72-864	1	Condenser Complete	2.20
72-879	2	Ignition Lead	.75
72-883	1	Cutout Lead Assembly	1.10

Order All Parts from Nearest Dealer or Service Station

Always Give Part Number and Motor Number

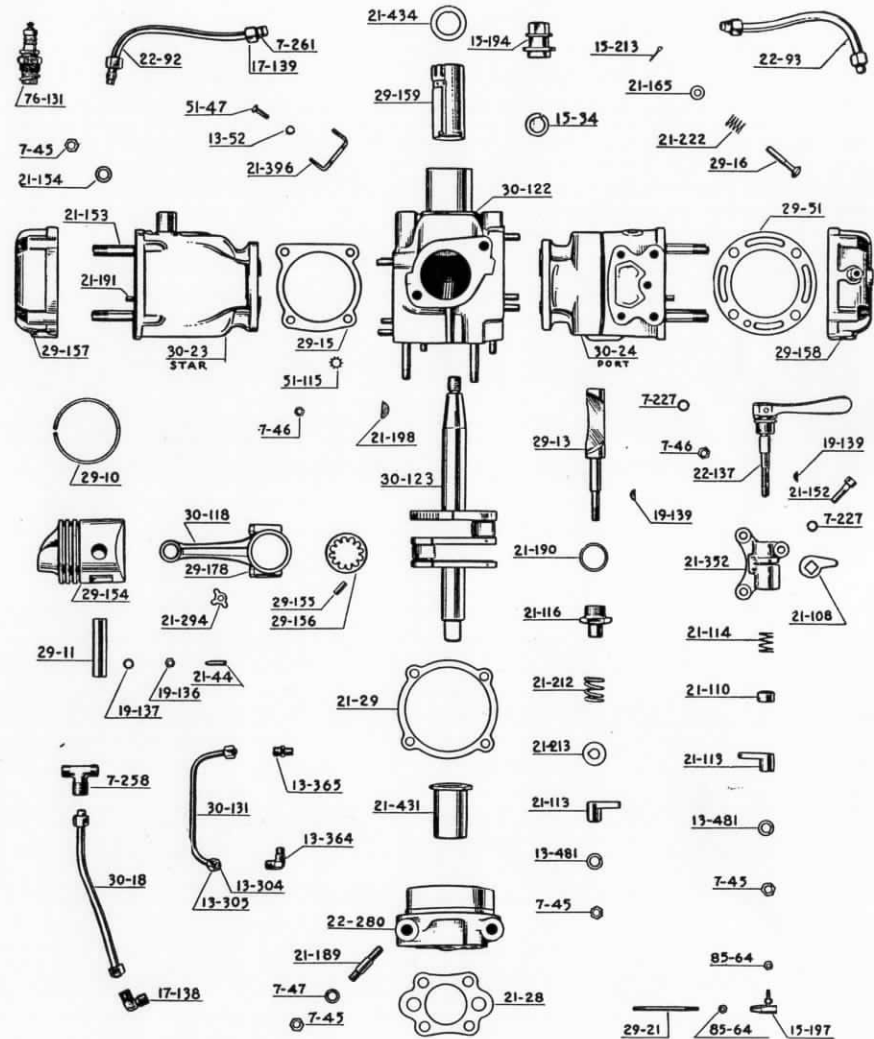
MAGNETO PARTS FOR P-75, P-80, PO-39 AND PO-10



Order All Parts from Nearest Dealer or Service Station

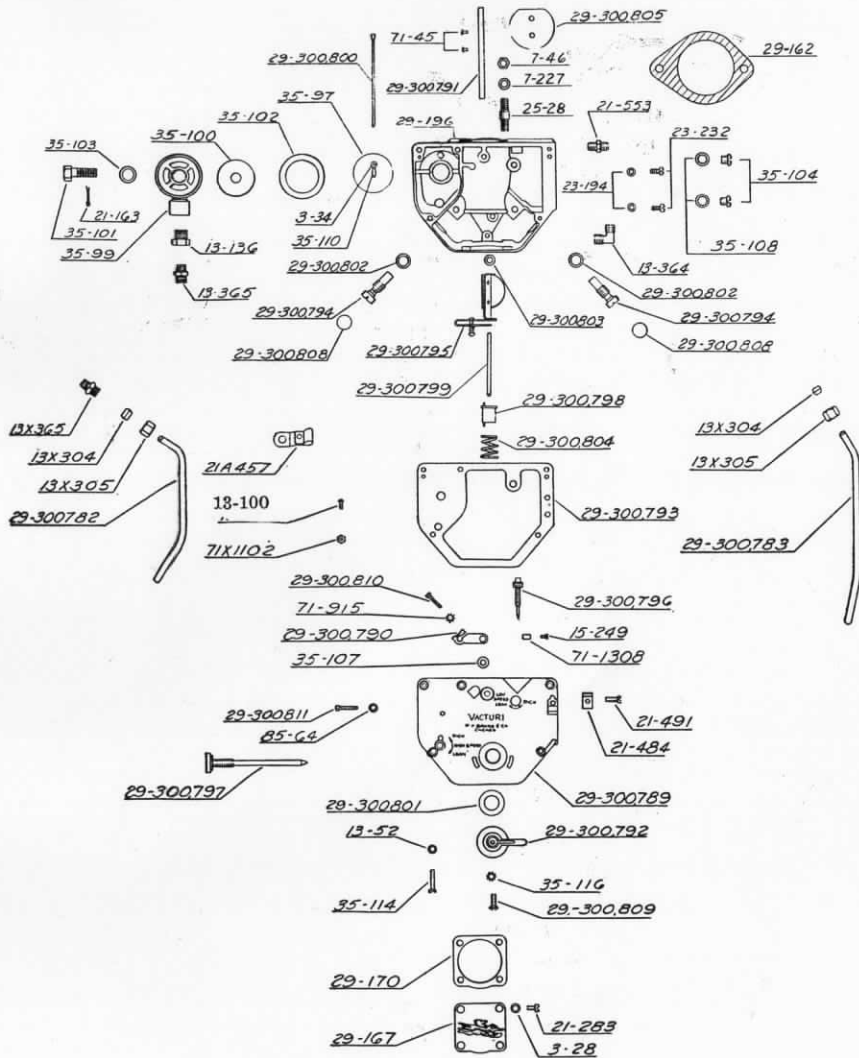
Always Give Part Number and Motor Number

POWER HEAD PARTS FOR P-75, P-80, PO-39 AND PO-10



Order All Parts from Nearest Dealer or Service Station

CARBURETOR PARTS



30-117 Carburetor Complete

Order All Parts from Nearest Dealer or Service Station

CARBURETOR PARTS GROUP

Part No.	Quantity	DESCRIPTION OF PART	List Price
3-28	4	Lock Washer - Panel Screw 13/64"	.025
3-34	1	Screw - Float Clip No. 4 x 3/4"	.025
7-46	2	Nut Carburetor to Crankcase Stud 5/16 - 24"	.025
7-227	2	Lock Washer - Carburetor to Crankcase Stud 11/32"	.025
13-52	5	Lock Washer - Cover Screw 17/64"	.025
13-100	2	Screw No. 10 - 24x1/4"	.025
13-136	1	Bushing - Straight Connection to Carburetor	.15
13-304	2	Gland	.025
13-305	2	Nut	.10
13-364	1	Elbow - Carburetor Drain	.15
13-365	1	Straight Connection	.15
15-249	1	Screw - Swivel Nut No. 10 - 24x1/4"	.025
21-163	1	Cotter Pin 1/16x3/8"	.025
21-283	4	Screw - Carburetor Panel No. 10 - 24x3/8"	.025
21-457	2	Clamp	.20
21-484	1	Clamp - Carburetor Control Cable	.05
21-491	1	Screw - Carburetor Control Cable Clip No. 12 - 24x1/2"	.05
21-553	1	Straight Connection - Gas Line to Carburetor	.35
23-194	2	Gasket - Fuel Passage	.05
23-232	2	Screw - Fuel Passage	.05
25-28	2	Stud - Carburetor to Crankcase	.10
29-162	1	Gasket - Carburetor to Crankcase	.05
29-167	1	Panel - Carburetor	.90
29-170	1	Gasket - Carburetor Panel	.05
29-196	1	Carburetor Body	17.25
29-300, 782	1	Drain Pipe - Intake Passage	.35
29-300, 783	1	Drain Pipe - Air Passage	.35
29-300, 789	1	Cover - Carburetor	3.10
29-300, 790	1	Lever - Throttle	.75
29-300, 791	1	Shaft - Throttle	.85
29-300, 792	1	Lever - Choke	.55
29-300, 793	1	Gasket - Cover	.40
29-300, 794	2	Venturi Tube	1.10
29-300, 795	1	Plate Assembly - Choke	1.40
29-300, 796	1	Needle Valve - Slow Speed	.85
29-300, 797	1	Needle Valve - High Speed	1.95
29-300, 798	1	Pivot Plug - Choke Lever	.55
29-300, 799	1	Shaft - Choke	.15
29-300, 800	1	Float Valve	.95
29-300, 801	1	Gasket - Choke Lever	.10
29-300, 802	2	Gasket - Venturi Tube	.05
29-300, 803	1	Thrust Washer - Choke	.05
29-300, 804	1	Spring - Choke Lever	.05
29-300, 805	1	Plate - Throttle	.30
29-300, 808	2	Expansion Plug	.05
29-300, 809	1	Screw - Choke Lever	.05
29-300, 810	1	Screw - Throttle Lever Clamp	.05
29-300, 811	1	Screw - Throttle Adjustment	.05
30-117	1	Carburetor Complete	28.50
35-97	1	Float	.65
35-99	1	Strainer Housing	1.20
35-100	1	Strainer Screen Assembly	.50
35-101	1	Retaining Screw - Strainer Housing	.40
35-102	1	Gasket - Strainer	.10
35-103	1	Gasket - Strainer Screw	.05
35-104	2	Plug - Fuel Passage	.35
35-107	1	Thrust Washer	.05
35-108	2	Gasket - Fuel Passage Plug	.05
35-110	1	Float Clip	.20
35-114	5	Screw - Cover	.05
35-116	1	Lock Washer - Choke Lever Screw	.05
71-45	2	Screw - Throttle Plate	.025
71-915	1	Lock Washer - Lever Clampscrew No. 10	.025
71-1102	1	Nut No. 10 - 24"	.025
71-1308	1	Swivel Nut - Control Cable	.15
85-64	1	Locknut - Throttle Adjustment Screw	.025

Order All Parts from Nearest Dealer or Service Station