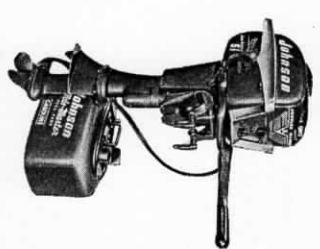


PARTS CATALOG

FOR 1954 5.5hp

Model CD-10 and CDL-10



JOHNSON MOTORS

Waukegan, Illinois, U. S. A.

All Prices Subject to Change Without Notice

PRINTED
IN U.S.A.

3-22-54—3M—Key



Warranty

We warrant each new outboard motor of our manufacture to be free from defects in material and workmanship under normal use and service, our obligation under this warranty being limited to making good at the factory any part or parts thereof which shall, within three (3) months after delivery of such motor to original purchasers, be returned to us with transportation charges prepaid, and which our examination shall disclose to our satisfaction to have been thus defective; this warranty being expressly in lieu of all other warranties and representations expressed or implied and of all other liabilities in connection with the sale or use of any motors.

This warranty shall not apply to any motor which shall have been repaired or altered outside the factory in any way so as to affect its stability, nor which has been subject to misuse, negligence or accident. Warranty is void if motor is used for racing purpose.

We make no warranty in respect to trade accessories not of our manufacture; inasmuch as they are usually warranted separately by their respective manufacturers.

Because of the usual strains and accidents to which such products may be subjected, we make no warranty of either material or workmanship in racing outboard motors or any of our products when used for racing.

Claims must be entered on motors or motor parts returned to the factory for inspection, repair or replacement. Request form No. SF-16 from local Johnson Dealer or Service Station. This form should be filled in, signed by the motor owner and dealer or service station representatives and mailed to the factory with returned material, **TRANSPORTATION CHARGES PREPAID.**

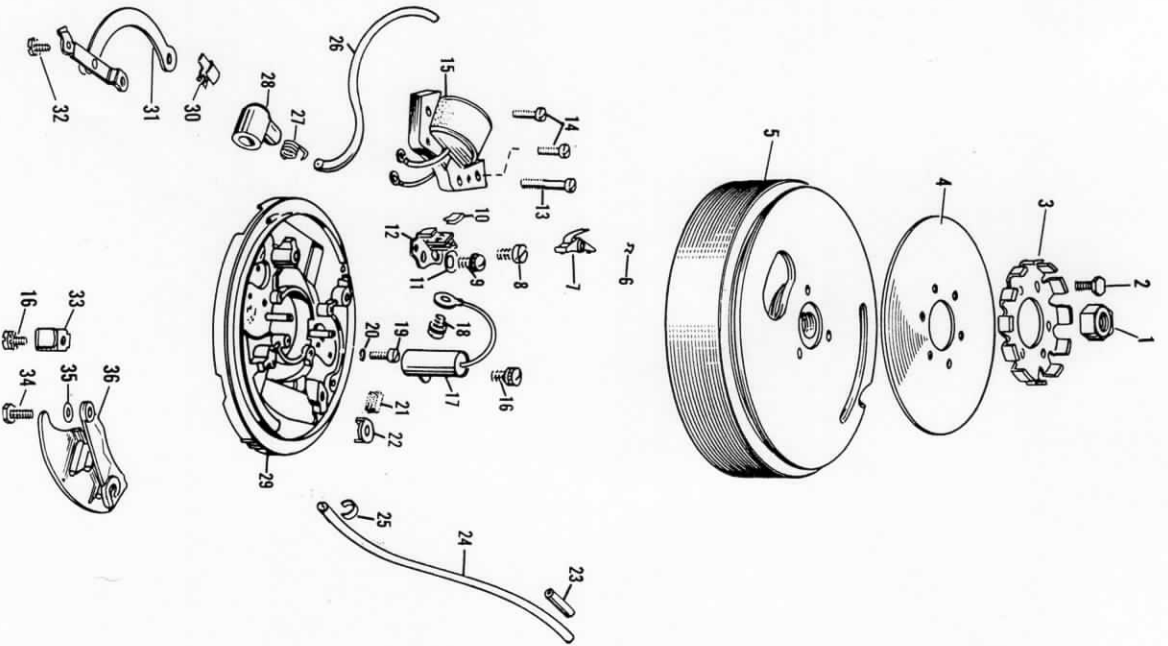


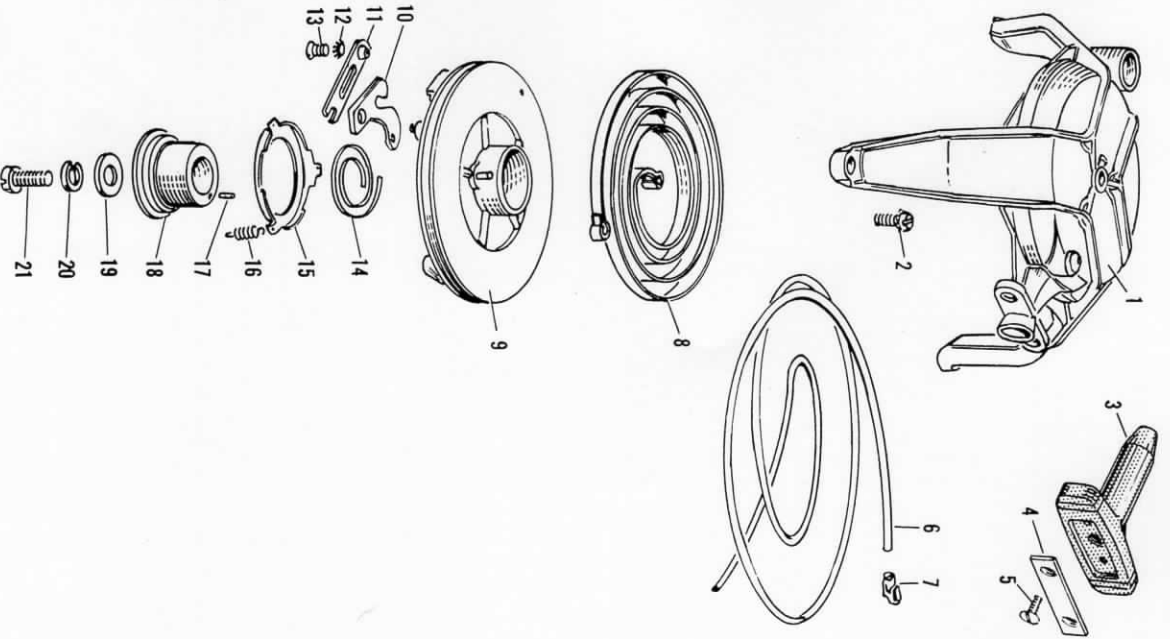
PHOTO AND PART NUMBERS FOR MAGNETO GROUP

Photo No. Part No.	Name of Part	Photo No. Part No.	Name of Part
1	301988 Nut	23	510233 Insulating Sleeve
2	302468 Screw	24	510256 High Tension Lead - Upper
3	202111 Ratchet		(580178 High Tension Lead Assembly - Upper)
4	303249 Cover		
5	580150 Flywheel Assembly	25	71-1239 Marker High Tension Lead - Lower
6	71-1052 Spring Clip	26	510257 High Tension Lead - Lower
7	580123 Breaker Arm Assembly		(580179 High Tension Lead Assembly - Lower)
	(580148 Breaker Assembly Complete)	27	510231 Spring Terminal
8	510185 Eccentric Screw	28	510232 Rubber Cover
9	15-249 Screw	29	580121 Armature Plate and Post Assembly
10	510204 Clip		(580172 Armature Plate Assembly Complete)
11	510205 Bow Washer	30	303146 Spring Clip Plate and Link
12	580122 Breaker Base Assembly	31	376064 Spring Clip Assembly
	(580148 Breaker Assembly Complete)	32	510193 Screw
13	510191 Screw	33	510259 Clamp
14	510195 Coil and Lamination Assembly	34	302750 Washer
15	580118 Condenser	35	21-200 Washer
16	510193 Screw	36	303470 Cam
17	510173 Lockwasher		
18	510194 Oiler Wick		
19	510192 Oiler Chip		
20	3-28		
21	510189		
22	510188		

See Page 20 for Numerical Part List

Order All Parts from Nearest Service Station or Dealer

STARTER GROUP



6

Be Sure to Specify Model and Serial Number of Motor When Ordering Parts

PHOTO AND PART NUMBERS FOR STARTER GROUP

Photo No.	Part No.	Name of Part	Photo No.	Part No.	Name of Part
1	376099	Starter Housing and Pin Assembly	10	202470	Starter Pawl
(376228 Starter Assembly Complete)			11	202317	Retainer
2	303288	Screw	12	71-1026	Lockwasher
3	376132	Handle	13	302104	Screw
4	303516	Clamp Plate	14	302222	Friction Spring
5	41-205	Screw	15	202114	Equalizer Cup
6	44-19	Rope and Anchor Assembly	16	202155	Spring
7	43-144	Anchor	17	202156	Pin
8	41-197	Spring	18	276643	Spindle and Pin Assembly
9	276589	Starter Pulley	19	202356	Washer
			20	13-51	Lockwasher
			21	13-588	Screw

See Page 20 for Numerical Part List

Order All Parts from Nearest Service Station or Dealer

7

PHOTO AND PART NUMBERS FOR POWER HEAD GROUP

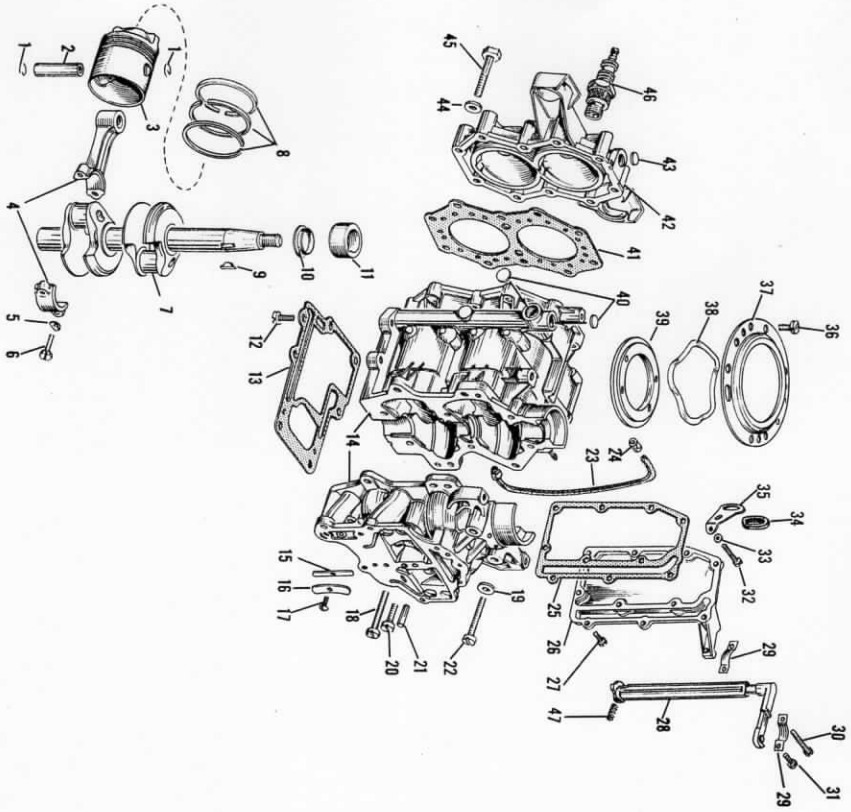
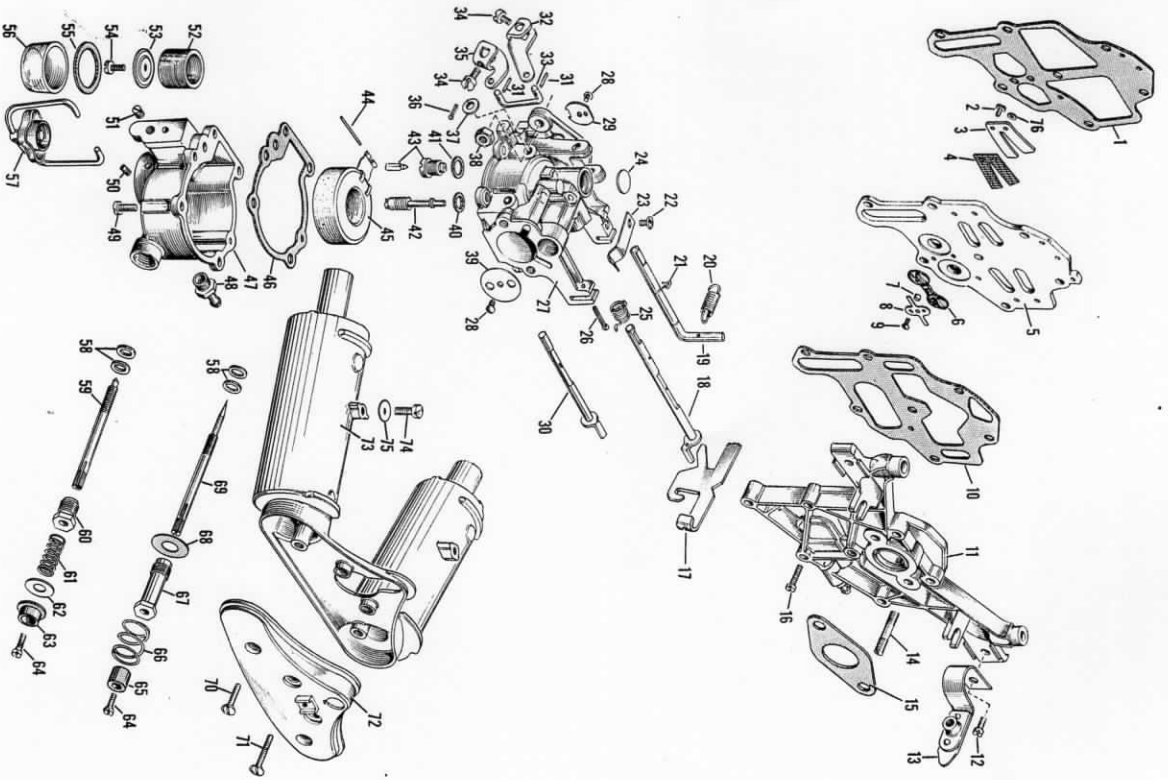


Photo No.	Part No.	Name of Part	Photo No.	Part No.	Name of Part
1	120110	Lock Ring	22	71-1084	Screw
2	303333	Wrist Pin	23	303463	Hose
3	376067	Piston and Dowel Pin Assembly	24	303473	Clamp
		(376070 Piston and Connecting Rod Assembly, with Rings)	25	303439	Gasket
4	376066	Connecting Rod Assembly	26	303407	Exhaust Cover
5	41-17	Lockplate	27	25-74	Lever
6	41-44	Screw	28	303468	Bearing Clamp
7	303445	Crankshaft	29	303109	Screw
8	41-333	Piston Rings	30	132123	Screw
9	120895	Key	31	43-156	Screw
10	303849	Oil Slinger	32	132346	Washer
11	51-0168	Cam	33	300154	Grommet
12	51-47	Screw	34	300451	Anchor
13	303467	Gasket	35	300453	Screw
14	376229	Cylinder and Crankcase Assembly	36	41-223	Support
15	203235	Leaf Valve	37	302599	Wave Washer
16	203248	Plate	38	302580	Retaining Ring
17	19-191	Screw	39	302442	Core Plug
18	41-178	Screw	40	27-309	Core Plug
19	300399	Washer	41	303438	Cylinder Head and Core Plug Assembly
20	51-47	Screw	42	376080	Gasket
21	300402	Taper Pin	43	27-309	Core Plug
			44	43-302	Washer
			45	303459	Screw
			46	200322	Spark Plug
			47	303236	Spring

See Page 20, for Numerical Part List

Order All Parts from Nearest Service Station or Dealer



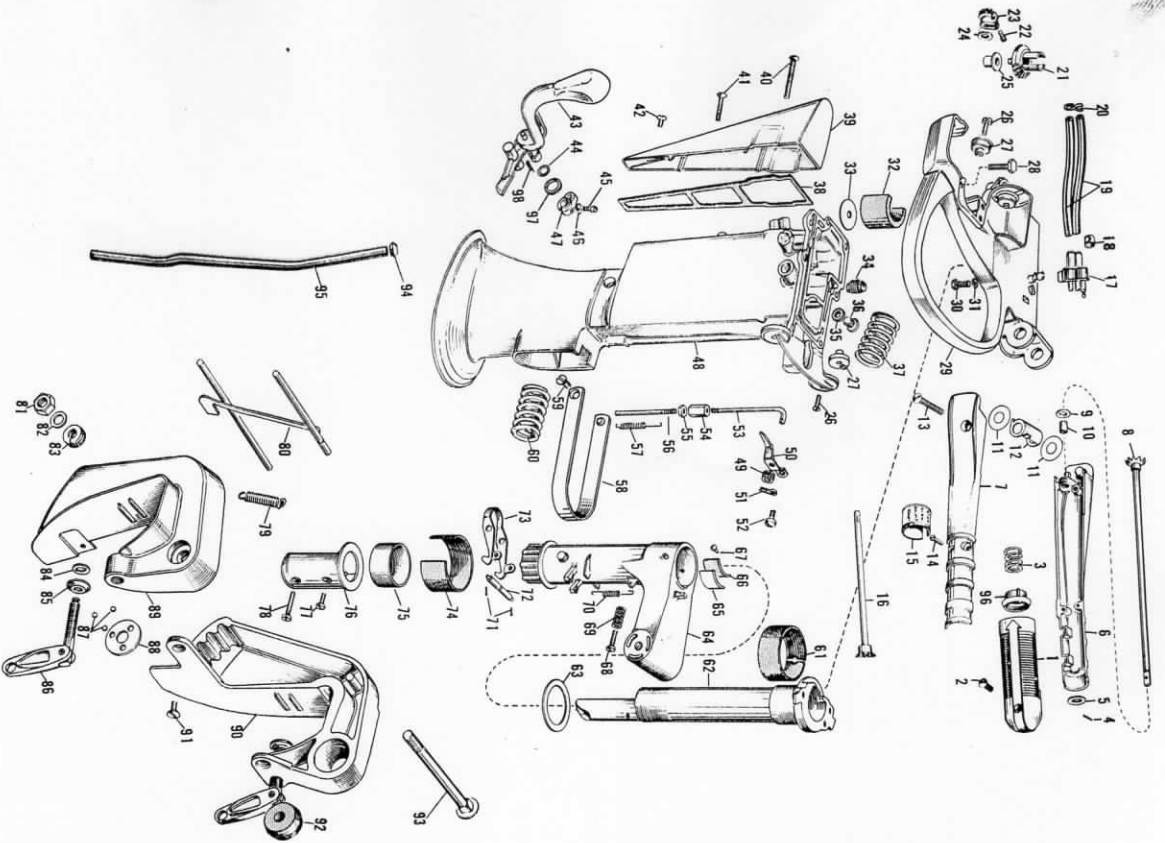
Be Sure to Specify Model and Serial Number of Motor When Ordering Parts

PHOTO AND PART NUMBERS FOR
CARBURATOR AND LEAF VALVE GROUP

Photo No. Part No.	Name of Part	Photo No. Part No.	Name of Part
1	303453 Gasket	39	303444 Choke Valve
2	303761 Screw	40	302984 Gasket
3	202668 Leaf Stop	41	301996 Gasket
4	202667 Leaf Valve	42	303447 Nozzle
5	303462 Leaf Plate	43	375985 Float Valve and Seat Assembly
(376233 Leaf Plate Assembly)			
6	302042 Check Valve	44	300096 Hinge Pin
7	302046 Spacer	45	375919 Float and Float Arm Assembly
8	302048 Spring	46	302994 Gasket
9	19-191 Spring	47	303130 Float Chamber
10	303454 Gasket	48	303172 Nipple
11	376088 Intake Manifold	49	71-1589 Screw
12	43-156 Spring and Nut	50	303041 Screw Plug
13	376131 Assembly	51	303125 Filter Element
14	85-101 Stud	52	303133 Retainer
15	303437 Gasket	53	303134 Screw
16	133451 Screw	54	132509 Gasket
17	302997 Rod	55	303122 Gasket
18	373922 Throttle Shaft and Lever Assembly	56	303121 Filter Bowl
19	303708 Follower	57	376231 Filter Yoke Assembly
20	203166 Spring	58	43-123 Packing Needle Valve - High Speed
21	71-1052 Clip	59	303449 Nut
22	302430 Spring	60	300179 Nut
23	302977 Plug	61	303518 Spring
24	27-309 Spring	62	202065 Washer
25	302996 Carburetor Pin	63	303535 Grommet
26	21-163 Plug Assembly	64	551517 Screw
27	376232 Plug Assembly	65	303532 Sleeve
(376100 Carburetor Assembly Complete)			
28	303760 Screw	66	303548 Spring
29	303446 Throttle Valve Choke Shaft and Lever Assembly	67	303479 Nut
30	375921 Cotter Pin	68	203355 Washer
31	41-110 Lever	69	303448 Needle Valve - Slow Speed
32	203163 Link	70	302124 Screw
33	203164 Link	71	200931 Screw
34	71-1038 Screw	72	203387 Cover
35	302978 Lever	73	277286 Loading Tube and Air Silencer Assembly
36	303049 Cotter Pin	74	25-74 Washer
37	303048 Washer	75	21-200 Screw
38	19-136 Nut	76	303762 Lockwasher

See Page 20 for Numerical Part List

Order All Parts from Nearest Service Station or Dealer



Be Sure to Specify Model and Serial Number of Motor When Ordering Parts
PHOTO AND PART NUMBERS FOR LOWER UNIT AND STEERING HANDLE GROUP

Photo No.	Part No.	Name of Part	Photo No.	Part No.	Name of Part
1	303213	Grip	48	376267	Driveshaft Casing and Exhaust Tube Assembly
2	302710	Screw	49	303364	Grommet
3	303730	Spring	50	303409	Arm
4	300346	Groove Pin	51	550565	Cutter Pin
5	303252	Washer	52	303368	Shoulder Screw
6	376042	Steering Handle and Bushing Assembly - Outer Half	53	303408	Link
7	303093	Steering Handle - Inner Half	54	303706	Coupling
8	375977	Gear and Shaft Assembly - Low	55	85-64	Nut
9	302712	Washer	56	303705	Link
10	302717	Bushing	57	303465	Spring
11	303079	Washer	58	303392	Friction Band
12	303096	Cover	59	303397	Screw
13	303078	Screw	60	303461	Spring
14	133452	Screw	61	303370	Upper Liner
15	303110	Plate	62	303500	Pilot Shaft
16	375979	Gear and Shaft Assembly - Short	63	303359	Thrust Washer
17	375788	Body Assembly	64	303406	Swivel Bracket
18	310822	Clamp	65	303363	Plate
19	303460	Hose	66	303697	Spacer
20	302647	Clamp	67	303696	Pin
21	303410	Gear	68	132679	Screw
22	71-1352	Screw	69	551113	Spring
23	303107	Pinion	70	303464	Spring
24	303142	Washer	71	303049	Cotter Pin
25	303140	Washer	72	303436	Kod
26	303394	Bushing	73	303421	Locking Lever
27	303369	Spring Retainer	74	303371	Shock Absorber
28	303398	Screw	75	303362	Sleeve
29	376122	Steering Bracket and Bushing Assembly	76	303372	Retainer
30	21-359	Screw	77	303393	Screw
31	51-137	Lockwasher	78	302677	Spring
32	303350	Support	79	202021	Spring
33	303353	Plate	80	376063	Tilting Lever Assembly
34	303348	Nut	81	17-182	Nut
35	27-284	Gasket	82	25-196	Washer
36	27-283	Flush Plug	83	302051	Spring
37	303458	Spring	84	302420	Support
38	303586	Gasket	85	41-48	Retainer
39	303585	Cover	86	375744	Swivel Plate
40	303589	Screw	87	160084	Clamp
41	303588	Screw	88	202617	Ball
42	303587	Screw	89	376082	Shim
43	376077	Shift Lever and Shaft Assembly	90	376081	Stem Bracket
44	303191	O-Ring	91	303396	Assembly - Starboard
45	303714	Screw	92	301893	Assembly - Port
46	303715	Washer	93	303349	Screw
47	303354	Lever	94	7-261	Central Washer
37	203450	Spring - Upper Mount	95	303668	Tilting Bolt
					Gland
					Water Tube
					Washer
					Spring

Model CDL-10 Parts That Differ from Model CD-10
 Spring - Upper Mount 60 203451 Spring - Lower Mount 95 303668
 Water Tube

See Page 15 for Additional Model CDL Parts
 See Page 20 for Numerical Part List

Order All Parts from Nearest Service Station or Dealer

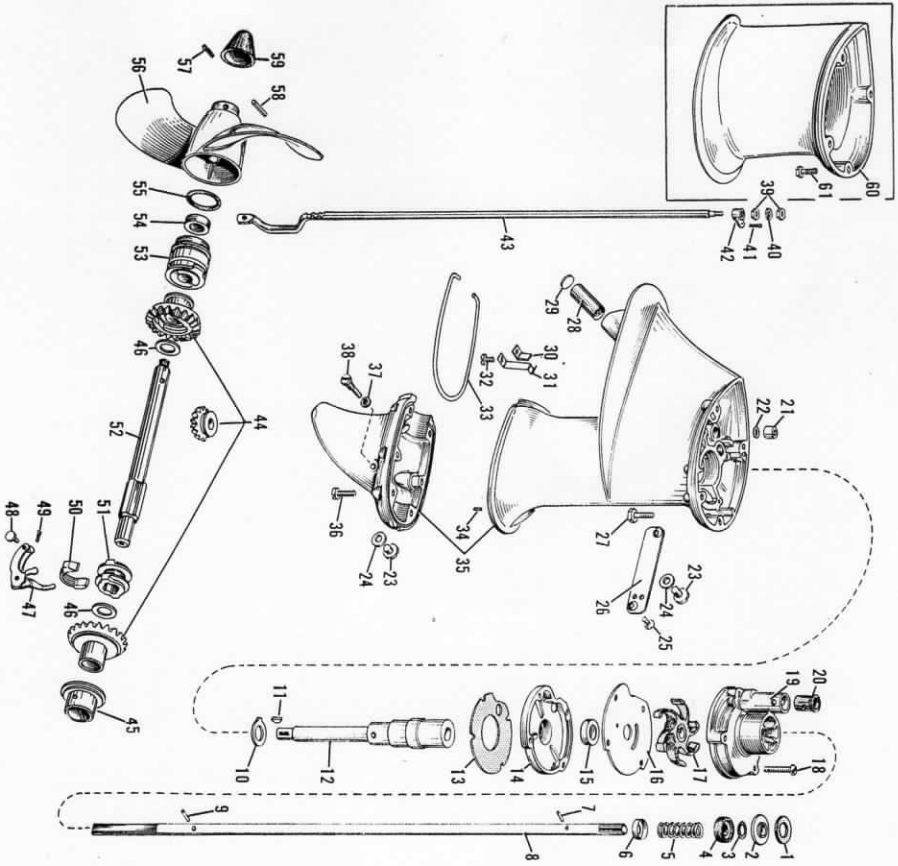


PHOTO AND PART NUMBERS FOR GEARCASE GROUP

Photo No.	Part No.	Name of Part	Photo No.	Part No.	Name of Part
1	303355	Gasket	31	303466	Spring
2	303356	Plate	32	43-156	Screw
3	303347	O-Ring	33	303328	Seal
4	303391	Seal	34	300611	Dowel Pin
5	303357	Spring	35	376062	Gearcase, Bushing & Pin Assembly
6	303327	Washer			
7	303261	Pin	36	300258	Screw
8	376093	Driveshaft	37	302756	Washer
9	300771	Pin	38	303358	Pivot Pin
10	303346	Thrust Washer	39	85-64	Nut
11	1-135	Key	40	303701	Lockwasher
12	376073	Pinion Shaft & Shock Absorber Assembly	41	13-268	Connector
			42	303702	Shift Rod
			43	303401	Pinion, Gears & Bushing Assembly
			44	376235	Bushing Assembly
13	303339	Gasket			
14	376074	Bearing Housing & Bearing Assembly	45	303380	Bearing
			46	303361	Thrust Washer
15	300599	Seal	47	303340	Lever
16	303376	Plate	48	302504	Pin
17	277181	Impeller Assembly	49	301912	Cutter Pin
18	303395	Screw	50	303381	Cradle
19	303442	Impeller Housing	51	376078	Shift Clutch Dog Assembly
20	302497	Grommet	52	303443	Propeller Shaft
21	303332	Bushing	53	376069	Gearcase Head & Bearing Assembly
22	301877	O-Ring			
23	27-283	Plug			
24	27-284	Gasket	54	303345	Seal
25	302681	Gasket	55	303360	O-Ring
26	303344	Cover	56	376072	Propeller
27	302325	Screw	57	13-332	Cutter Pin
28	303331	Screen	58	302333	Drive Pin
29	300314	Plug	59	303365	Rubber Cap
30	303700	Spring			

Model CDL-10 Parts That Differ from Model CD-10

8	376273	Driveshaft	60	303672	Gearcase Extension
43	303666	Shift Rod	61	302325	Screw

See Page 13 for Additional Model CDL Parts
See Page 20 for Numerical Part List

Order All Parts from Nearest Service Station or Dealer

PHOTO AND PART NUMBERS FOR SHROUD GROUP

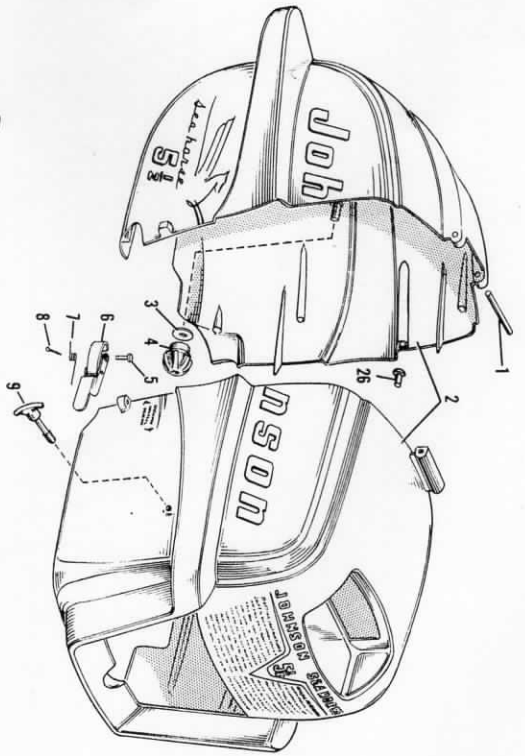
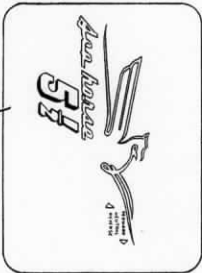
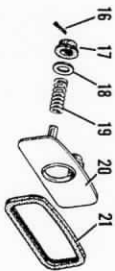
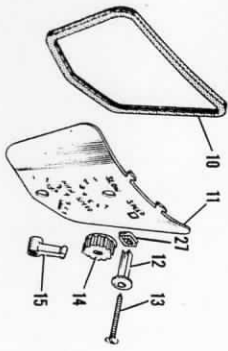
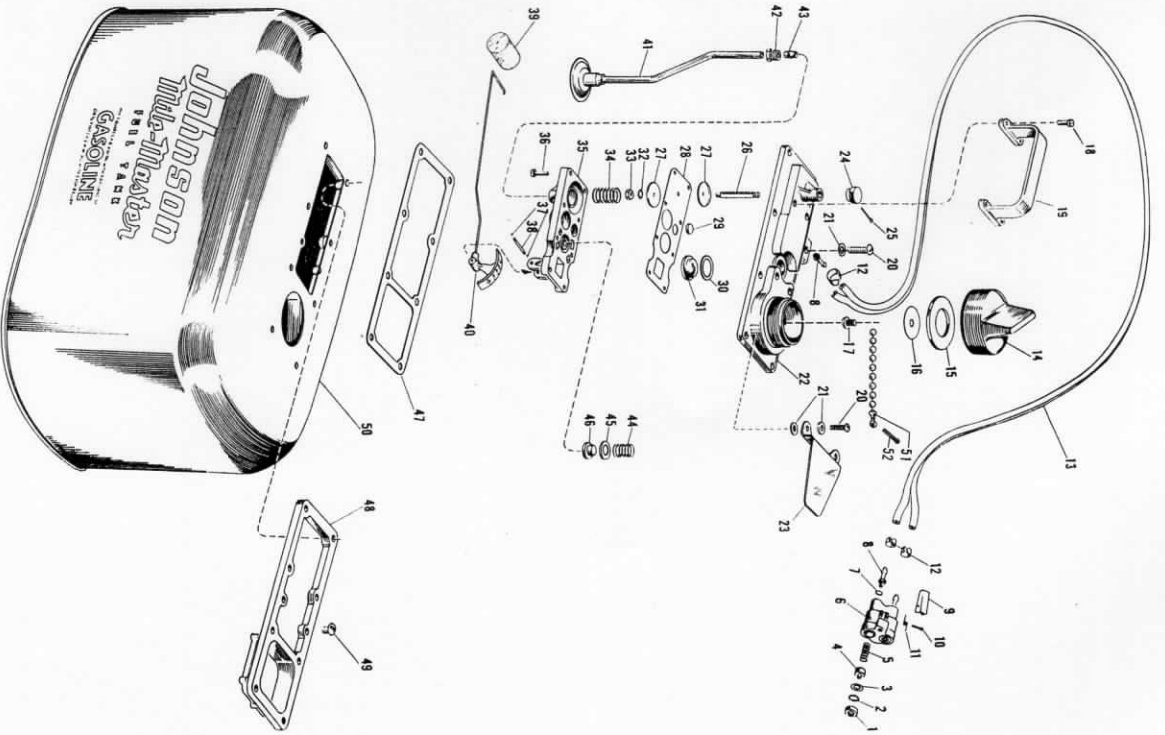


Photo No.	Part No.	Name of Part	Photo No.	Part No.	Name of Part
1	303536	Hinge Pin	14	303517	Adjusting Knob -
2	376262	Shroud Assembly	15	303521	Slow Speed
3	303565	Washer			Adjusting Knob -
4	303564	Bumper			High Speed
5	303522	Pin	16	41-163	Cotter Pin
6	376129	Clamp & Lever Assembly	17	303535	Grommet
7	303519	Spring Cotter Pin Wing Screw Assembly	18	202065	Washer
8	303590	Wing Screw	19	303518	Spring
9	376128	Assembly	20	303528	Cover
10	303527	Grommet	21	303529	Grommet
11	303526	Control Panel	22	303620	Transfer
12	303718	Choke Knob	23	303628	Transfer
13	302761	Screw	24	303552	Transfer
			25	303635	Transfer
			26	203290	Bumper
			27	303796	Grommet



See Page 20 for Numerical Part List

Order All Parts from Nearest Service Station or Dealer



Be Sure to Specify Model and Serial Number of Motor When Ordering Parts

PHOTO AND PART NUMBERS FOR
MILE MASTER FUEL TANK ASSEMBLY

Photo No.	Part No.	Name of Part	Photo No.	Part No.	Name of Part
1	301828	Retainer	28	302563	Diaphragm
2	301824	O-Ring	29	301802	Disc Valve
3	301827	Washer	30	302571	Seal
4	301826	Valve	31	302568	Glass
5	301825	Spring	32	301736	Lockwasher
6	375587	Fuel Connector Assembly	33	21-195	Nut
7	301819	Washer	34	301803	Spring
8	301820	Nipple	35	302555	Housing
9	301830	Lock	36	13-558	Screw
10	301832	Rivet	37	302654	Snap Ring
11	301829	Spring	38	302653	Pin
12	301822	Clamp	39	302559	Float
13	303414	Hose	40	376192	Indicator Assembly
14	375817	Filler Cap Assembly	41	376191	Foot Valve Assembly
15	301835	Gasket	42	132691	Nut
16	302560	Plate	43	13-304	Gland
17	301837	Screw	44	302135	Spring
18	43-259	Screw	45	302137	Washer
19	302570	Handle	46	302136	Valve
20	132124	Screw	47	302557	Gasket
21	301814	Gasket	48	302556	Support
22	302572	Housing	49	53-85	Screw
23	302802	Retainer	50	376092	Fuel Tank (Only)
24	301813	Push Button	51	301838	Chain
25	17-186	Cutter Pin	52	15-213	Cutter Pin
26	302561	Push Rod			(376095 Fuel Tank Assembly Complete)
27	301800	Support			

See Page 20 for Numerical Part List

Order All Parts from Nearest Service Station or Dealer

NUMERICAL PARTS LIST

Part No.	No. Required Per Motor	NAME OF PART	List Price Per Piece
1-135	1	Key - Pinion to Pinion Shaft.....	.025
3-28	2	Lockwasher - Armature Plate Mounting Screw.....	.025
7-261	1	Gland - Water Tube.....	.05
13-51	1	Lockwasher - Spindle to Starter Housing.....	.025
13-304	1	Gland - Gas Line.....	.025
13-332	1	Cotter Pin.....	.025
13-338	8	Screw - Lower to Upper Housing.....	.025
13-388	1	Screw - Spindle to Starter Housing.....	.025
15-213	1	Cotter Pin - Filler Cap.....	.025
15-249	2	Screw - Breaker Mounting.....	.025
15-268	1	Cotter Pin - Connector.....	.025
17-182	1	Nut - Tilting Bolt.....	.05
17-186	1	Cotter Pin - Push Button.....	.025
19-136	2	Nut - Carburetor to Intake Manifold Stud.....	.025
19-191	3	Screw - Leaf Valve to Crankcase - Check Valve.....	.025
21-163	1	Cotter Pin - Choke Control Rod.....	.025
21-191	1	Nut - Push Rod.....	.025
21-195	4	Washer - Silencer to Manifold - Throttle Cam Screw.....	.025
21-200	1	Screw - Fuel Connector to Steering Bracket.....	.025
21-359	1	Screw - Silencer to Manifold - Exhaust Cover to Cylinder.....	.025
25-74	10	Washer - Spring to Tilting Bolt Nut.....	.025
25-196	3	Plug - Flush - Fill and Drain Gearcase.....	.025
27-283	3	Plug - Flush - Plug - Gearcase Fill and Drain Plugs.....	.15
27-309	3	Gasket - Carburetor - Cylinder - Cylinder Head.....	.025
41-17	4	Lockplate - Connecting Rod Screw.....	.025
41-44	4	Screw - Connecting Rod.....	.025
41-48	2	Swivel Plate.....	.05
41-110	2	Pin - Cam Follower Link.....	.025
41-163	2	Cotter Pin - Cover.....	.025
41-178	2	Screw - Cylinder to Crankcase.....	.025
41-197	1	Spring - Starter.....	.90
41-205	2	Screw - Clamp Plate to Handle.....	.025
41-223	4	Screw - Armature Plate Support.....	.025
41-333	6	Piston Ring.....	.35
43-123	4	Packing - High and Slow Speed Valve.....	.025
43-144	1	Anchor - Starting Rope.....	.20
43-156	4	Screw - Bearing Clamp - Front Mounting - Detent Spring.....	.025
43-259	4	Washer - Handle to Housing.....	.025
44-302	10	Washer - Cylinder Head Screw.....	.025
44-19	1	Rope and Anchor Assembly.....	1.45
51-47	11	Screw - Cylinder to Crankcase - Driveshaft Casings to Cylinder.....	.025
51-137	1	Lockwasher - Fuel Connector to Steering Bracket.....	.025
53-85	2	Screw - Support Plate to Tank.....	.025
71-1026	3	Lockwasher - Retainer Screw.....	.025
71-1038	2	Screw - Throttle and Cam Follower Levers.....	.05
71-1052	4	Chip - Cam Follower - Armature Plate.....	.025
71-1084	4	Screw - Cylinder to Crankcase.....	.05
71-1239	1	Marker - High Tension Lead - Upper.....	.025
71-1352	1	Screw - Pinion - Throttle Control.....	.025
71-1589	5	Screw - Float Chamber to Carburetor.....	.025
85-64	3	Nut - Reverse Link - Lower - Shift Rod to Connector.....	.05
85-101	2	Stud - Intake Manifold.....	.025
120110	4	Lock Ring - Wrist Pin.....	.05
120365	1	Key - Crankshaft to Flywheel.....	.025
132123	1	Screw - Exhaust Cover to Cylinder and Bearing Clamp.....	.025
132124	8	Screw - Support Plate to Housing.....	.025
132346	1	Screw - Anchor and Exhaust Cover to Cylinder.....	.025
132509	1	Screw - Filler Element.....	.025
132679	1	Screw - Co-pilot Plate.....	.10
132691	1	Nut - Gas Line.....	.025
133451	7	Screw - Manifold to Crankcase.....	.025
133452	2	Screw - Steering Handle Halves.....	.025
160084	3	Ball - Stern Bracket to Swivel Bracket.....	.025
200322	2	Spark Plug.....	.85

Order All Parts from Nearest Station or Dealer

NUMERICAL PARTS LIST

Part No.	No. Required Per Motor	NAME OF PART	List Price Per Piece
200931	1	Screw - Cover Plate to Silencer Body.....	.05
202021	1	Spring - Tilting Lever.....	.15
202065	3	Washer - Cover - High Speed Needle Valve.....	.025
202111	1	Ratchet - Starter.....	.30
202114	1	Equalizer Cup.....	.25
202155	3	Spring - Equalizer Cup.....	.10
202156	1	Pin - Spindle.....	.025
202317	3	Retainer - Starter Pawl.....	.05
202356	1	Washer - Starter Spindle.....	.025
202470	3	Starter Pawl.....	.15
202617	1	Shim - Stern Bracket to Swivel Bracket.....	.10
202667	2	Leaf Valve.....	.20
203163	2	Plate - Leaf Back - up.....	.05
203164	1	Lever - Cam Follower.....	.35
203166	1	Link - Lever to Follower.....	.20
203235	1	Spring - Cam Follower.....	.10
203248	1	Leaf Valve - Crankcase Drain.....	.25
203290	1	Plate - Leaf Valve.....	.05
203355	2	Bumper - Shroud Front to Rear.....	.025
203387	1	Washer - Slow Speed Packing Nut.....	.025
203450	1	Cover - Air Silencer.....	.50
203451	2	Spring - Upper Mount (CDD).....	.70
275589	1	Spring - Lower Mount (CDD).....	.025
276643	1	Starter Pulley.....	.300
277181	1	Spindle and Pin Assembly.....	3.00
277286	1	Impeller Assembly.....	.85
300096	1	Leading Tube and Air Silencer Assembly.....	1.80
300154	1	Hinge Pin - Float Arm.....	3.20
300179	1	Washer - Anchor and Exhaust Cover Screw.....	.025
300258	1	Nut - High Speed Needle Valve.....	.10
300314	6	Screw - Gearcase - Lower to Upper.....	.10
300346	1	Plug - Water Intake Screen.....	.05
300399	1	Groove Pin - Gear and Shaft Assembly.....	.025
300402	4	Washer - Crankcase to Cylinder Screw.....	.025
300451	2	Taper Pin.....	.05
300453	1	Grommet - Ignition Lead.....	.05
300599	1	Anchor - Ignition Lead.....	.10
300611	1	Seal - Bearing Housing.....	.85
300771	1	Dowel Pin - Front Bearing to Gearcase.....	.025
301736	1	Pin - Impeller.....	.025
301800	2	Lockwasher - Push Rod.....	.025
301802	1	Support - Diaphragm.....	.05
301803	1	Disc Valve.....	.05
301814	12	Spring - Fuel Pump.....	.025
301815	1	Gasket - Support to Housing Screw.....	.025
301819	1	Push Button.....	.15
301820	4	Gasket - Nipple.....	.025
301822	4	Nipple.....	.30
301824	6	Clamp - Hose - Fuel Connector Hose.....	.05
301825	2	O-Ring - Seal - Fuel Connector.....	.10
301826	2	Spring - Valve - Fuel Connector.....	.025
301827	2	Valve - Fuel Connector.....	.10
301828	2	Washer - Valve Guide.....	.10
301829	2	Retainer - Seal Ring.....	.025
301830	1	Spring - Lock.....	.10
301832	1	Lock - Fuel Connector.....	.05
301833	1	Rivet - Lock.....	.15
301835	1	Gasket - Filler Cap.....	.025
301837	1	Screw - Filler Cap.....	.05
301838	1	Chain - Filler Cap.....	.025
301877	1	O-Ring - Shift Rod.....	.10
301912	1	Cotter Pin - Shift Lever Pin.....	.10

Order All Parts from Nearest Station or Dealer

NUMERICAL PARTS LIST

Part No.	No. Required Per Motor	NAME OF PART	List Price Per Motor
301983	1	Conical Washer	.25
301988	1	Nut - Flywheel	.05
301996	1	Gasket - Float Valve Seat	.025
302042	1	Check Valve - Air Line	.10
302048	1	Spacer - Check Valve	.025
302051	1	Spring - Check Valve	.40
302104	1	Spring - Tiltng Bolt	.025
302124	3	Screw - Retainer	.025
302135	1	Screw - Cover Plate to Silencer Body	.05
302136	1	Valve - Pressure Relief	.05
302137	1	Washer - Pressure Relief	.025
302222	1	Friction Spring - Starter	.15
302325	5	Screw - Gearcase to Driveshaft Casting - Gearcase Extension (Model CDI)	.10
302333	1	Drive Pin	.05
302420	2	Retainer	.05
302430	1	Screw - Spring to Carburetor Body	.025
302442	1	Retaining Ring - Armature Plate	.35
302468	1	Screw - Ratchet to Flywheel	.05
302497	1	Grommet - Water Tube	.10
302504	1	Pin - Shift Rod	.025
302555	1	Housing - Lower	1.20
302557	1	Support Plate	1.15
302559	1	Gasket - Fuel Tank	.50
302560	1	Flot - Fuel Tank	.15
302561	1	Plate - Filter Cap	.025
302563	1	Diaphragm - Fuel Pump	.05
302568	1	Glass - Fuel Tank	.40
302570	1	Handle - Fuel Tank	.20
302571	1	Seal - Fuel Tank Glass	.75
302572	1	Housing - Upper	.025
302580	1	Wave Washer - Armature Plate	3.60
302599	1	Support - Armature Plate	.35
302647	1	Clamp - Hose	.30
302653	2	Pin - Indicator	.025
302654	2	Snap Ring - Indicator Pin	.025
302677	2	Screw - Retainer to Steering Bracket - Lower	.05
302681	1	Screw - By-Pass Cover	.025
302710	1	Screw - Steering Handle Grip	.025
302712	1	Washer - Steering Handle	.025
302717	1	Bushing - Steering Handle	.05
302750	2	Screw - Cam - Armature Plate	.025
302756	1	Washer - Pivot Pin	.025
302761	1	Screw - Choke Knob	.05
302802	2	Retainer - Hose	.25
302977	1	Spring - Choke Control Rod	.05
302978	1	Lever - Throttle Shaft	.20
302984	1	Gasket - Float Chamber to Carburetor Body Boss	.025
302994	1	Gasket - Carburetor Body to Float Chamber	.10
302996	1	Spring - Throttle Shaft	.05
302997	1	Rod - Choke Control	.35
303041	1	Screw - Float Chamber Drain	.05
303048	1	Washer - Throttle Shaft	.025
303049	3	Cutter Pin - Throttle Shaft - Reverse Lock Shaft	.025
303078	1	Screw Steering Handle Halves	.025
303079	2	Washer - Steering Bracket to Handle	.025
303093	1	Steering Handle - Inner Half	.90
303096	1	Cover - Steering Handle Gears	.40
303107	1	Washer - Pinion Gear	.025
303109	2	Bearing Clamp	.025

Order All Parts from Nearest Station or Dealer

NUMERICAL PARTS LIST

Part No.	No. Required Per Motor	NAME OF PART	List Price Per Motor
303110	1	Plate - Throttle Control - Steering Handle	.35
303121	1	Filter Bowl	.25
303122	1	Gasket - Filter Bowl	.025
303125	1	Screw - Plug - Filter Outlet	.05
303130	1	Float Chamber	2.40
303133	1	Filter Element	.40
303134	1	Retainer - Gasoline Filter	.05
303140	1	Bushing - Throttle Control	.10
303142	1	Pinion - Throttle Control	.40
303146	1	Spring Clip - Armature Plate Link	.15
303172	1	Nipple - Gasoline Filter	.20
303191	1	O-Ring - Shift Lever	.05
303213	1	Grip - Steering Handle	.60
303236	2	Spring - Shift Lever and Shaft Assembly to Washer - Lever to gear	1.60
303249	1	Cover - Inspection Hole - Flywheel	.05
303252	1	Washer - Steering Handle to Spring	.15
303261	1	Pin - Driveshaft	.025
303282	1	Friction Block - Grip	.20
303288	3	Screw - Starter Housing to Cylinder	.025
303327	1	Washer - Lower Bearing Seal Spring	.10
303328	1	Seal - Gearcase - Upper to Lower	.10
303331	1	Screen - Water Intake	.20
303332	1	Bushing - Shift Rod - Upper Gearcase	.10
303333	2	Wrist Pin	.30
303339	1	Gasket - Bearing Housing to Gearcase	.05
303340	1	Lever - Shifter	.45
303344	1	Cover - Water By-Pass	.05
303345	1	Seal - Gearcase Head	1.15
303346	1	Thrust Washer - Pinion Shaft	.05
303347	1	O-Ring - Lower Bearing Seal to Driveshaft	.10
303348	1	Nut - Water Tube	.25
303349	1	Tilting Bolt	.15
303350	1	Support - Driveshaft Casting to Steering Bracket	.20
303353	1	Plate - Steering Bracket	.025
303354	1	Lever - Shift Rod	.25
303355	1	Gasket - Driveshaft to Crankcase	.05
303356	1	Plate - Driveshaft to Crankcase	.30
303357	1	Spring - Lower Bearing to Crankcase Seal	.15
303358	1	Pivot Pin - Shifting Lever	.25
303359	1	Thrust Washer - Steering Bracket to Swivel Bracket	.15
303360	1	O-Ring - Gearcase Head	.15
303361	2	Thrust Washer - Propeller Shaft	.10
303362	1	Sleeve - Friction Band	.30
303363	1	Plate - Co-Pilot	.15
303364	1	Grommet - Reverse Lock Arm to Reverse Lock Link	.15
303365	1	Rubber Cap - Propeller Shaft	.15
303368	1	Shoulder Screw - Reverse Lock Arm	.20
303369	4	Spring Retainer - Upper Mount	.20
303370	1	Upper Liner - Swivel Bracket	.60
303371	1	Shock Absorber - Lower - Swivel Bracket	.10
303372	1	Retainer - Steering Bracket	.40
303376	1	Plate - Impeller Housing	.65
303380	1	Bearing - Front - Gearcase	2.00
303381	1	Cradle	.35
303389	1	Water Tube	.75
303391	1	Seal - Lower Bearing Seal to Driveshaft	.35
303392	1	Friction Band	.30
303393	1	Screw - Retainer to Steering Bracket - Upper	.05
303394	4	Screw - Spring Retainer	.05
303395	4	Screw - Impeller Housing	.05
303396	1	Screw - Stern Bracket - Port to Star	.05

Order All Parts from Nearest Station or Dealer

NUMERICAL PARTS LIST

Part No.	No. Required Per Motor	NAME OF PART	List Price Per Piece
303397	2	Screw - Friction Band to Driveshaft Casings	.05
303398	3	Screw - Steering Bracket to Pilot Shaft	.025
303401	1	Shift Rod	.90
303406	1	Swivel Bracket	3.70
303407	1	Exhaust Cover	.85
303408	1	Link - Reverse Lock - Upper	.30
303409	1	Arm - Reverse Lock	.20
303410	1	Gear - Throttle Control	.70
303411	1	Hose	2.20
303414	1	Locking Lever - Reverse	.80
303421	1	Rod - Reverse Lock	.20
303436	1	Gasket - Carburetor to Intake Manifold	.05
303437	1	Gasket - Cylinder Head	.40
303438	1	Gasket - Exhaust Cover	.10
303439	1	Impeller Housing	1.00
303442	1	Propeller Shaft	6.40
303443	1	Choke Valve	1.0
303445	1	Crankshaft	16.25
303446	1	Throttle Valve	.05
303447	1	Nozzle - High Speed	.45
303448	1	Needle Valve - Slow Speed	.65
303449	1	Needle Valve - High Speed	.60
303453	1	Gasket - Leaf Plate to Crankcase	.15
303454	1	Gasket - Intake Manifold to Leaf Plate	.15
303458	1	Spring - Upper Mount	.65
303459	2	Screw - Cylinder Head to Cylinder	.05
303460	10	Hose - Fuel Connector to Carburetor and Intake Manifold	.05
303461	2	Spring - Lower Mount	.75
303462	1	Leaf Plate	2.00
303463	1	Hose - Oil Return	.10
303464	1	Spring - Reverse Lock Rod to Swivel Bracket	.05
303465	1	Spring - Reverse Lock Rod to Reverse Lock	.15
303466	1	Spring - Detent Spring - Upper Gearcase	.10
303467	1	Gasket - Driveshaft Casings to Cylinder	.15
303468	1	Lever - Control - Armature Plate	.85
303470	1	Cam - Armature Plate	.25
303473	1	Clamp - Oil Return Hose	.25
303479	1	Nut - Slow Speed Needle Valve	.25
303500	1	Pilot Shaft - Steering Bracket	2.40
303516	1	Clamp Plate - Rope Handle	.05
303517	1	Adjusting Knob - Slow Speed	.20
303518	3	Spring - High Speed Needle Valve - Cover	.025
303519	2	Spring - Shroud Clamp	.025
303521	1	Adjusting Lever - High Speed	.20
303522	2	Pin - Shroud Clamp	.05
303526	1	Control Panel	.60
303527	1	Grommet - Shroud to Control Panel	.40
303528	1	Cover - Shroud - Front	.40
303529	1	Grommet - Shroud to Cover	.40
303532	1	Sleeve - Slow Speed Needle Valve	.25
303533	2	Grommet - High Speed Valve - Cover	.025
303535	1	Hinge Pin - Shroud	.05
303536	1	Spring - Slow Speed Needle Valve	.10
303548	1	Transfer - Sea Horse 5 1/2 - Star	.05
303552	1	Bumper - Shroud to Cylinder Head	.10
303564	2	Washer - Shroud to Cylinder Head Bumper	.025
303565	2	Washer - Exhaust Tube	.10
303586	1	Gasket - Exhaust Tube to Cover	.60
303587	1	Screw - Cover to Exhaust Tube - Lower	.025
303588	1	Screw - Cover to Exhaust Tube - Center	.05
303589	1	Screw - Cover to Exhaust Tube - Upper	.10
303590	2	Cotter Pin - Shroud Clamp	.025
303620	2	Transfer - Johnson - Port and Star	.35
		Net	

Order All Parts from Nearest Station or Dealer

NUMERICAL PARTS LIST

Part No.	No. Required Per Motor	NAME OF PART	List Price Per Piece
303628	1	Transfer - Sea Horse 5 1/2 - Port	Net
303635	1	Transfer - Starting and Oiling	.10
303649	1	Oil Slinger	N/C
303666	1	Shift Rod (Model CDL)	.025
303682	1	Water Tube (Model CDL)	2.20
303688	1	Gearcase Extension (Model CDL)	.95
303696	1	Pin - Swivel Bracket to Upper Linner	8.50
303697	1	Spacer - Co-pilot Plate to Upper Linner	.025
303700	1	Spring - Back-up - Detent Spring	.05
303701	1	Lockwasher - Shift Rod Nut	.05
303702	1	Connector - Shift Rod to Lever	.025
303705	1	Link - Reverse Lock - Lower	.30
303706	1	Coil Spring - Throttle Cam	15
303708	1	Roller - Throttle Cam	15
303714	1	Screw - Shift Lever - Shaft Assembly	.40
303715	1	Washer - Shift Lever to Shaft Screw	.06
303718	1	Choke Knob	.025
303730	1	Spring - Grip to Friction Block	.35
303760	2	Screw - Throttle & Choke Valve to Shaft	.10
303761	1	Screw - Valve to Leaf Plate	.025
303762	4	Lockwasher - Leaf Valve Screw	.025
303775	1	Washer - Shift Lever & Shaft Assembly	.025
303796	1	Grommet	.025
373587	1	Fuel Connector Assembly	1.0
373588	2	Clamp Screw, Swivel Plate & Retainer Assembly	4.20
373744	1	Body Assembly - Fuel Connector	.85
373788	1	Filler Cap Assembly	1.35
373817	1	Float & Float Arm Assembly	.95
373919	1	Choke Shaft & Lever Assembly	.60
373921	1	Throttle Shaft & Lever Assembly	.65
373922	1	Gear & Shaft Assembly - Long	.75
373977	1	Gear & Shaft Assembly - Short	.75
373979	1	Gear & Shaft Assembly - Short	1.45
373985	1	Rod Valve & Seal Assembly	1.05
376042	1	Steering Handle & Bushing Assembly - Outer Half	1.20
376046	1	Gearcase, Bushing & Pin Assembly	2.00
376062	1	Tilting Lever Assembly	17.50
376063	1	Plate & Link Assembly - Throttle Control	.45
376064	1	Connecting Rod Assembly	.90
376066	2	Piston & Dowel Pin Assembly	2.40
376067	2	Gearcase Head & Bearing Assembly	2.40
376069	1	Piston & Connecting Rod Assembly, With Rings	2.00
376070	1	Propeller	6.60
376072	1	Pinion Shaft & Shock Absorber Assembly	3.20
376074	1	Bearing Housing & Bearing Assembly	10.50
376077	1	Shift Lever & Shaft Assembly	1.80
376078	1	Shifter Clutch Dog Assembly	1.45
376080	1	Cylinder Head & Core Plug Assembly	2.50
376081	1	Stern Bracket & Clamp Screw Assembly - Port	2.60
376082	1	Stern Bracket & Clamp Screw Assembly - Starboard	2.60
376088	1	Intake Manifold, Nipple & Stud Assembly	2.50
376092	1	Fuel Tank (only)	2.30
376093	1	Driveshaft and Pin Assembly	12.50
376095	1	Fuel Tank Assembly Complete	4.50
376099	1	Starter Housing & Pin Assembly	20.00
376100	1	Carburetor Assembly Complete	3.00
376122	1	Steering Bracket & Bushing Assembly	22.75
376128	2	Wing Screw Assembly - Shroud	4.30
376129	2	Clamp & Lever Assembly	.30
376131	2	Spring & Nut Assembly	.40
376132	1	Handle - Starter	.35
376191	1	Foot Valve Assembly	.70
376192	1	Indicator Assembly	1.15
376228	1	Starter Assembly Complete	.95
		Net	13.50

Order All Parts from Nearest Station or Dealer

NUMERICAL PARTS LIST

Part No.	No. Required Per Motor	NAME OF PART	Last Price Per Piece
376229	1	Cylinder & Crankcase Assembly	27.50
376231	1	Filter Yoke Assembly	1.70
376232	1	Carburetor Body & Plug Assembly	2.70
376233	1	Leaf Plate Assembly	4.10
376235	1	Pinion, Gears & Bushing Assembly	14.50
376262	1	Shroud & Transfer Assembly	21.00
376267	1	Driveshaft & Water Tube Assembly	11.75
376273	1	Driveshaft and Pin Assembly (Model CDL)	5.00
510168	1	Cam - Magneto	.30
510173	2	Condenser	1.00
510185	2	Eccentric Screw - Breaker	.15
510188	1	Other Clip	.05
510189	1	Other Wick	.025
510191	2	Screw - Coil & Armature Plate Mounting	.025
510192	2	Screw - Armature Plate Mounting	.025
510193	5	Screw - Linkage Assm. to Arm. Plate - Condenser High Tension Lead Clamp	.025
510194	2	Screw - Breaker Terminal	.025
510195	2	Screw - Lamination Mounting	.025
510204	2	Clip - Breaker Spring	.025
510208	2	Bow Washer - Breaker Mounting	.025
510231	2	Spring Terminal - High Tension Leads	.025
510232	2	Rubber Cover - High Tension Leads - Spark Plug	.25
510233	2	Insulating Sleeve - High Tension Leads	.025
510256	1	High Tension Lead - Upper	.30
510257	1	High Tension Lead - Lower	.30
510259	1	Clamp - High Tension Leads	.05
550565	1	Cotter Pin - Reverse Lock Link to Lever	.025
551113	1	Spring - Co-pilot Plate Screw	.10
551517	2	Screw - High and Slow Speed Needle Valves	.05
580118	1	Coil & Lamination Assembly	6.20
580121	1	Armature Plate & Post Assembly	2.70
580122	2	Breaker Base Assembly	.45
580123	2	Breaker Arm Assembly	.80
580148	2	Breaker Assembly	1.45
580150	1	Flywheel Assembly	11.50
580172	1	Armature Plate Assembly Complete	31.50
580178	1	High Tension Lead Assembly - Upper	.95
580179	1	High Tension Lead Assembly - Lower	.95

Order All Parts from Nearest Station or Dealer