

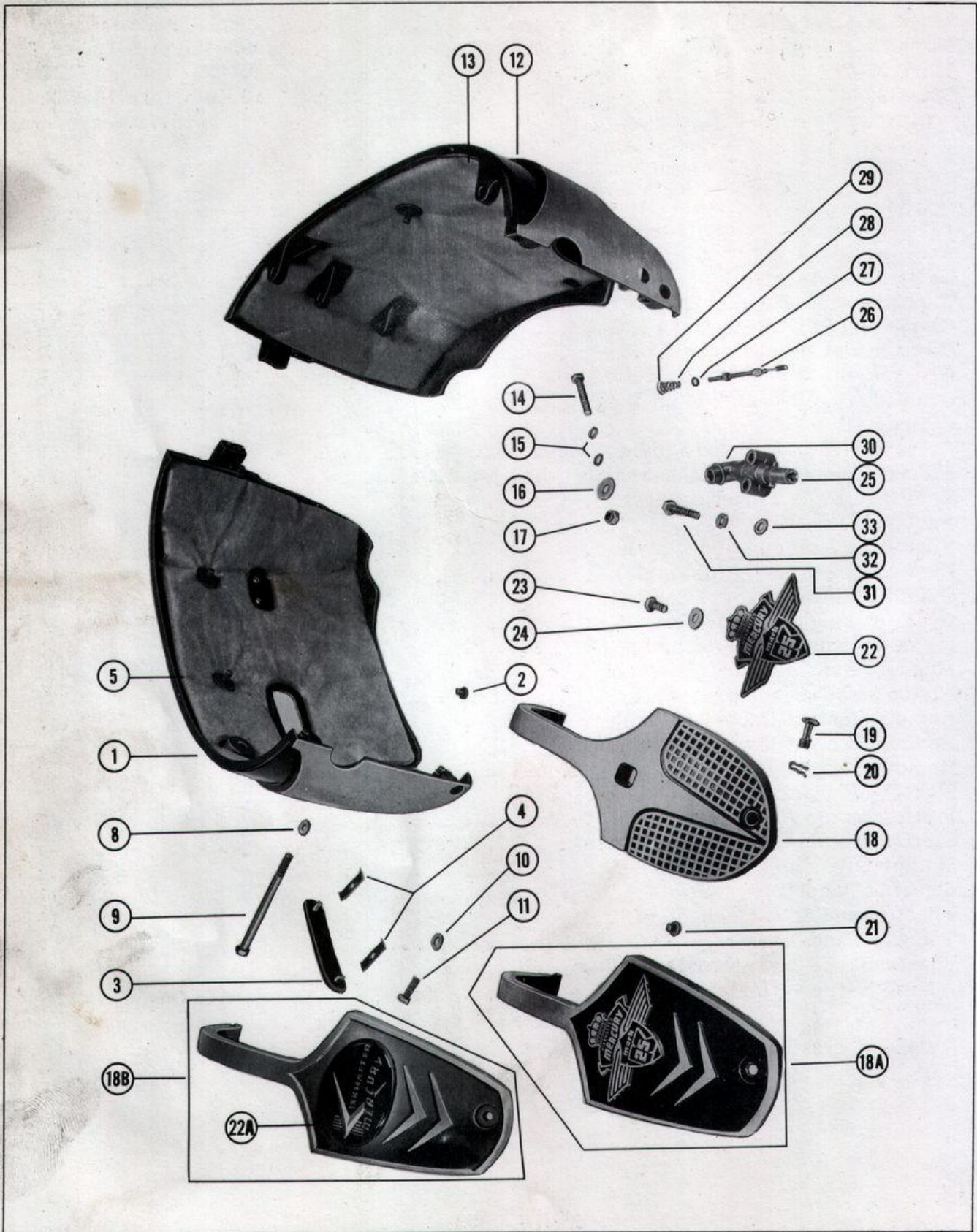
SERIAL NUMBERS:

Mark 25 and Mark 25E	860979 thru 956419
Mark 25 and Mark 25E-1	956420 thru 1036986
Mark 25-2	1042297 thru 1047296
Mark 25-3	1036987 thru 1042296 1047298 and up

INDEX:

	<u>Page</u>
Accessories	17
Carburetor Assembly	4
Carburetor Linkage and Choke Solenoid	5
Clamp and Swivel Bracket	12
Cowling and Front Cover	1
Crankcase	8
Crankshaft and Center Main Bearing	9
Cylinder Block	7
Drive Shaft Housing and Saddle	13
Electric Remote Control Assembly	17
Fuel Filter and Throttle Lever	5
Fuel Pump	6
Fuel Tank Assembly (new style)	17
Fuel Tank Assembly (old style)	17
Gear Housing and Drive Shaft	15
Gear Housing and Propeller	14
Inside Steering Bar Assembly	11
Magneto Assembly and Flywheel	3
Piston and Connecting Rod	9
Remote Control Cable Assembly	17
Remote Control Housing Assembly	17
Remote Control Parts Kit	17
Starter Mechanism	17
Starter Motor Assembly (Bosch)	17
Starter Motor Assembly (old style)	17
Starter Solenoid	16
Steering Handle	11
Throttle and Shift Mechanism	10
Top Cowl and Starter	2
Wiring Harness (External)	17
Wiring Harness (Internal)	16

COWLING AND FRONT COVER



COWLING AND FRONT COVER

PART NO.	REF. NO.	DESCRIPTION	MK25	MK25E	MK25 -1	MK25E -1	MK25 -2	MK25 -3
149-857A1	1	Starboard Cowl Assembly	1	-	-	-	-	-
149-857A2	1	Starboard Cowl Assembly	-	1	1	1	1	1
20721	2	Bumper, rubber - starboard cowl	2	2	2	2	2	2
22122	3	Cover, cowl cut-out	1	1	1	1	1	1
11-22425	4	Nut, speed - cowl cut-out cover fastening	2	2	2	2	2	2
25035	5	Blanket, starboard cowl	1	-	-	-	-	-
25044	5	Blanket, starboard cowl	-	1	1	1	1	1
12-20722	8	Washer, handle clamping screw	1	1	1	1	1	1
10-20724	9	Screw, cowl handle	1	1	1	1	1	1
12-20533	10	Washer, starboard cowl fastening screw	2	2	2	2	2	2
10-25918	11	Screw, starboard cowl fastening	2	2	2	2	2	2
150-858A1	12	Port Cowl Assembly	1	-	1	-	1	1
151-875A1	12	Port Cowl Assembly	-	1	-	-	-	-
151-1045A1	12	Port Cowl Assembly	-	-	-	1	-	-
20779	--	Sleeve, cowl retaining (threaded)	1	1	1	1	1	1
23764	--	Insert, tap lock	1	1	1	1	1	1
25034	13	Blanket, port cowl	1	-	1	-	1	1
25043	13	Blanket, port cowl	-	1	-	1	-	-
37-23076	--	Decal, MercElectric (port & starboard cowl)	-	2	-	2	-	-
10-20784	14	Screw, port cowl mounting	3	3	3	3	3	3
12-20028	15	Washer, cowl mounting screw	6	6	6	6	6	6
12-20028	--	Washer, cowl mounting screw (spacer)	2	2	2	2	2	2
12-20346	16	Washer, cowl mounting screw	3	3	3	3	3	3
11-20361	17	Nut, port cowl mounting screw	3	3	3	3	3	3
147-834	18	Cover, cowl front	1	1	-	-	-	-
158-1074A1	18A	Cowl Front Cover Assembly	-	-	-	1	-	-
159-1187A1	18B	*Cowl Front Cover Assembly	-	-	-	-	1	1
10-23874	19	Screw, front cowl attaching	1	1	1	1	1	1
18-23765	20	Cotter Pin, front cowl screw	1	1	1	1	1	-
12-27894	--	Washer, nylon - front cowl screw	-	-	-	-	-	1
20721	21	Bumper, rubber - front cowl	4	4	4	4	4	4
25199	--	Bumper, rubber - front cowl (7/8")	1	1	1	1	1	1
26183A	22A	*Emblem, front cover cowl	-	-	-	-	1	1
23098	22	Emblem, front cover cowl	1	1	-	-	-	-
10-20031	23	Screw, emblem fastening	1	1	-	-	-	-
12-20346	24	Washer, emblem fastening screw	1	1	-	-	-	-
22833	25	Adaptor, fuel line (male)	1	1	1	1	1	1
23069	26	Stem, fuel line adaptor	1	1	1	1	1	1
25-20415	27	"O" Ring, adaptor stem	1	1	1	1	1	1
24-23067	28	Spring, fuel line adaptor	1	1	1	1	1	1
23068	29	Cup Washer, fuel line adaptor	1	1	1	1	1	1
22-22994	30	Fitting, flex - fuel line adaptor	1	1	1	1	1	1
22-22946	--	Sleeve, flex fitting	1	1	1	1	1	1
11-22948	--	Nut, flex fitting	1	1	1	1	1	1
10-24878	31	Screw, adaptor to port cowl	2	2	2	2	2	2
13-20147	32	Lockwasher, adaptor screw	2	2	2	2	2	2
12-20583	33	Washer, adaptor screw	2	2	2	2	2	2
92-25234	--	Glue, adhesive - blanket fastening	1	1	1	1	1	1

* See Note on Page 2

TOP COWL AND STARTER

PART NO.	REF. NO.	DESCRIPTION	MK25-25E	MK25-25E	MK25	MK25
				-1	-2	-3
121-420A2	1	Top Cowl Assembly	1	1	1	1
121-1075A2	1	Top Cowl Assembly	-	#1	-	-
16-20761	2	Stud, top cowl mounting (starboard side)	2	2	2	2
16-20075	3	Stud, top cowl mounting (port side)	2	2	2	2
22942	4	Plug, top cowl	1	1	1	1
10-23618	5	Screw, top cowl plug fastening	1	1	1	1
11-20166	6	Nut, sheave shaft (left hand thread)	1	1	1	1
14-20165	7	Tab Washer, sheave shaft nut	1	1	1	1
12-20028	8	Washer, top cowl mounting stud	6	6	6	6
12-20583	9	Washer, top cowl mounting stud (thin)	2	2	2	4
12-20346	10	Washer, top cowl mounting stud	2	2	2	2
11-20361	11	Nut, top cowl mounting stud	4	4	4	4
20155	12	Retainer, spring	1	1	1	1
23-20159	13	Bushing, spring guide	1	1	1	1
24-23714	14	Spring, starter rewind	1	1	1	1
23-20158	15	Spacer, sheave shaft	1	1	1	1
50-20149	16	Sheave, starter	1	1	1	1
13-20163	17	Washer, wave - starter pawl	3	3	3	3
20162	18	Pawl, starter	3	3	3	3
20164	19	Plate, retainer - starter pawl	1	1	1	1
20161	20	Retainer, wave washer	1	1	-	-
26179	--	Retainer, wave washer (not shown)	-	-	1	1
12-26180	--	Washer, wave washer retainer (not shown)	-	-	1	1
13-20160	21	Washer, wave	1	1	1	1
20157	22	Shaft, sheave	1	1	1	1
50-22791A1	--	Starter Cable Assembly	1	1	1	1
N. S. S.	23	Anchor, starter cable	1	1	1	1
N. S. S.	24	Cable, starter	1	1	1	1
20662	25	Handle, starter cable	1	1	1	1
20172	26	End Cap, starter handle	1	1	1	1

* For replacement of Top Cowl on Mark 25E-1 order 121-1075A2 Top Cowl Assembly.

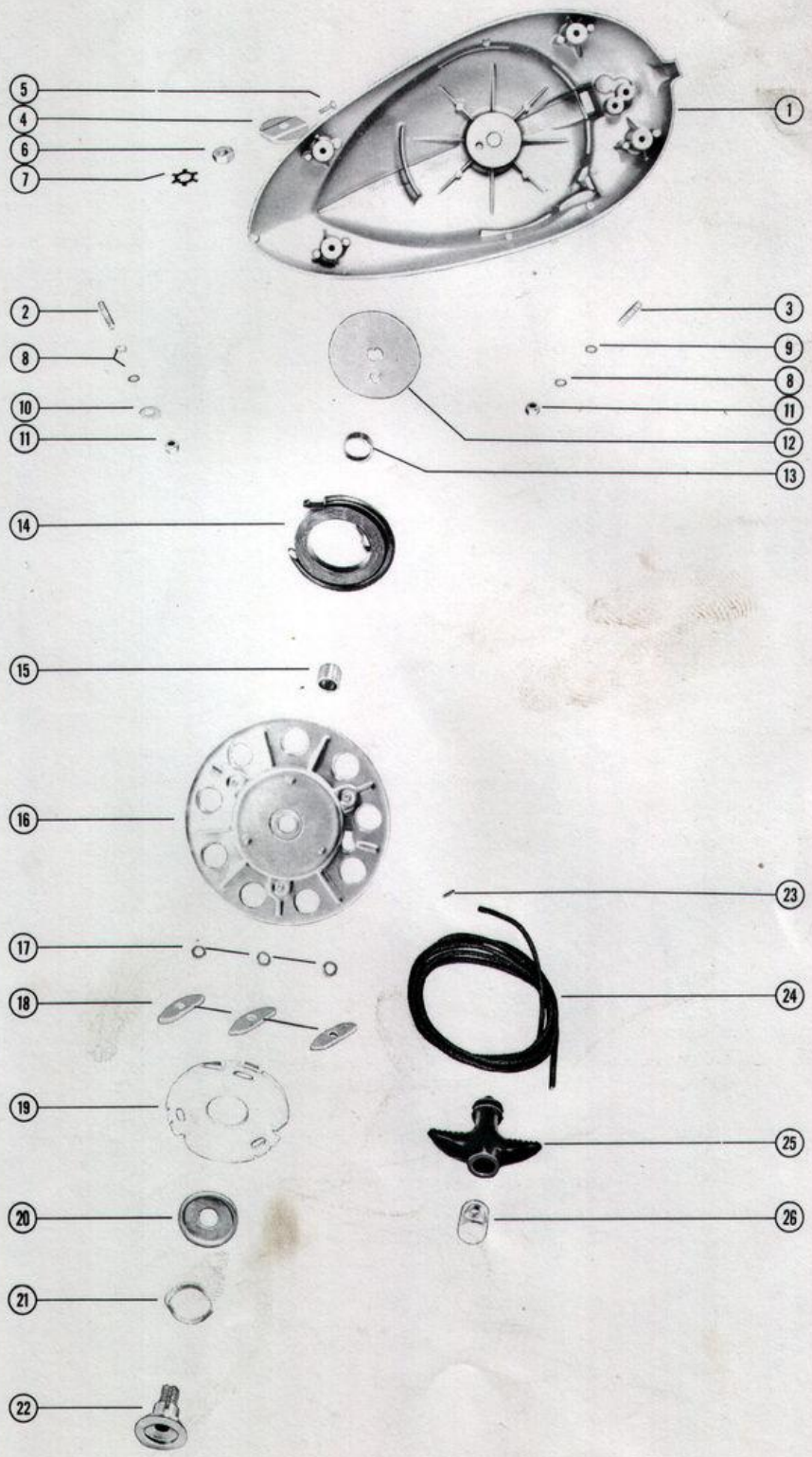
*NOTE: 159-1187A1 Cowl Front Cover Assembly is complete, ready for installation, and includes emblem which requires special adhesive compound for mounting. Emblems for replacement may be ordered in two (2) different color combinations as listed below. Be sure and specify color combination required by adding A1 or A2 suffix to emblem part number 26183—

26183A1 Emblem (black background with red and aluminum lettering)

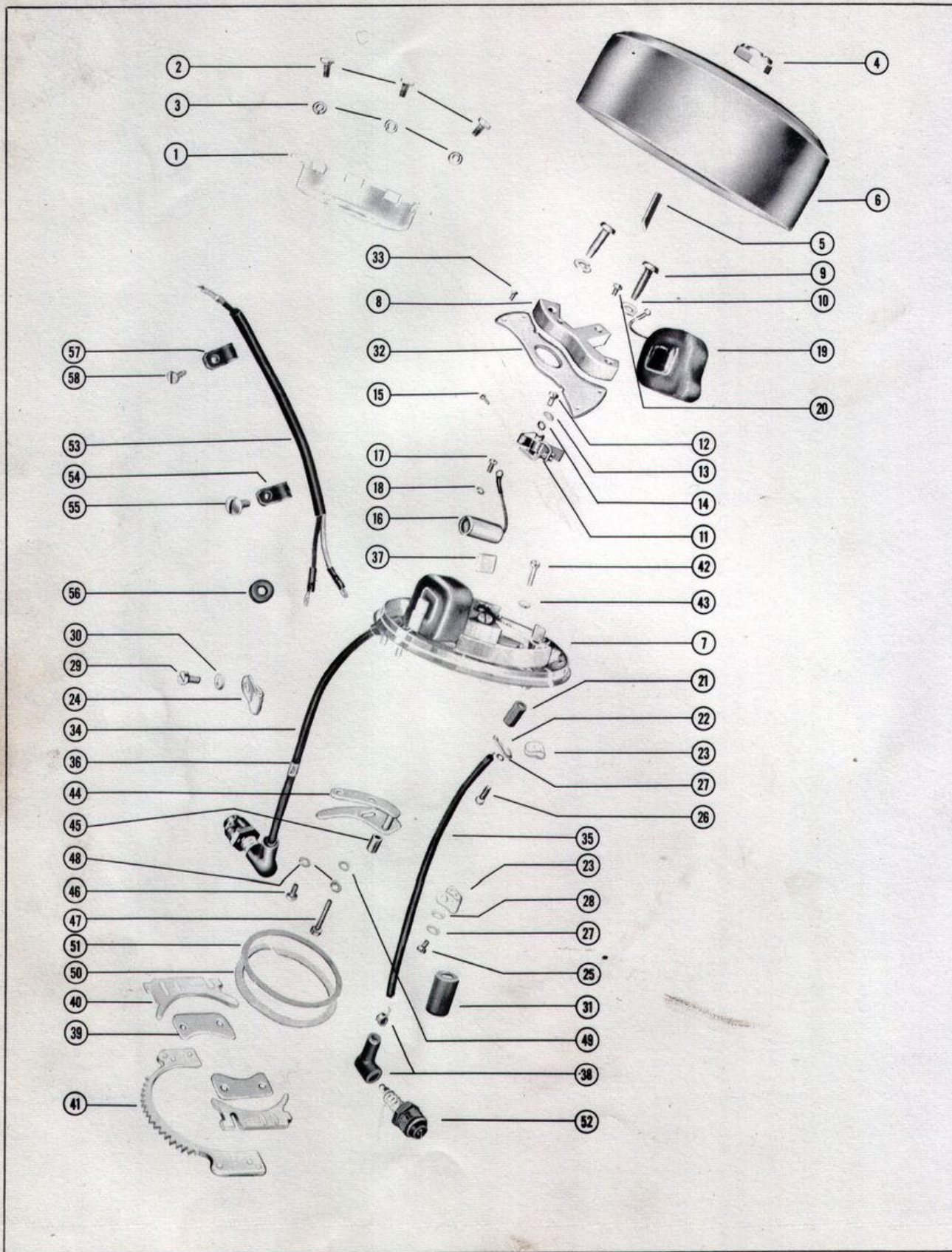
26183A2 Emblem (aluminum background with red and gold lettering)

92-27109 Adhesive Compound (3½ ounce kit) emblem fastening

TOP COWL AND STARTER



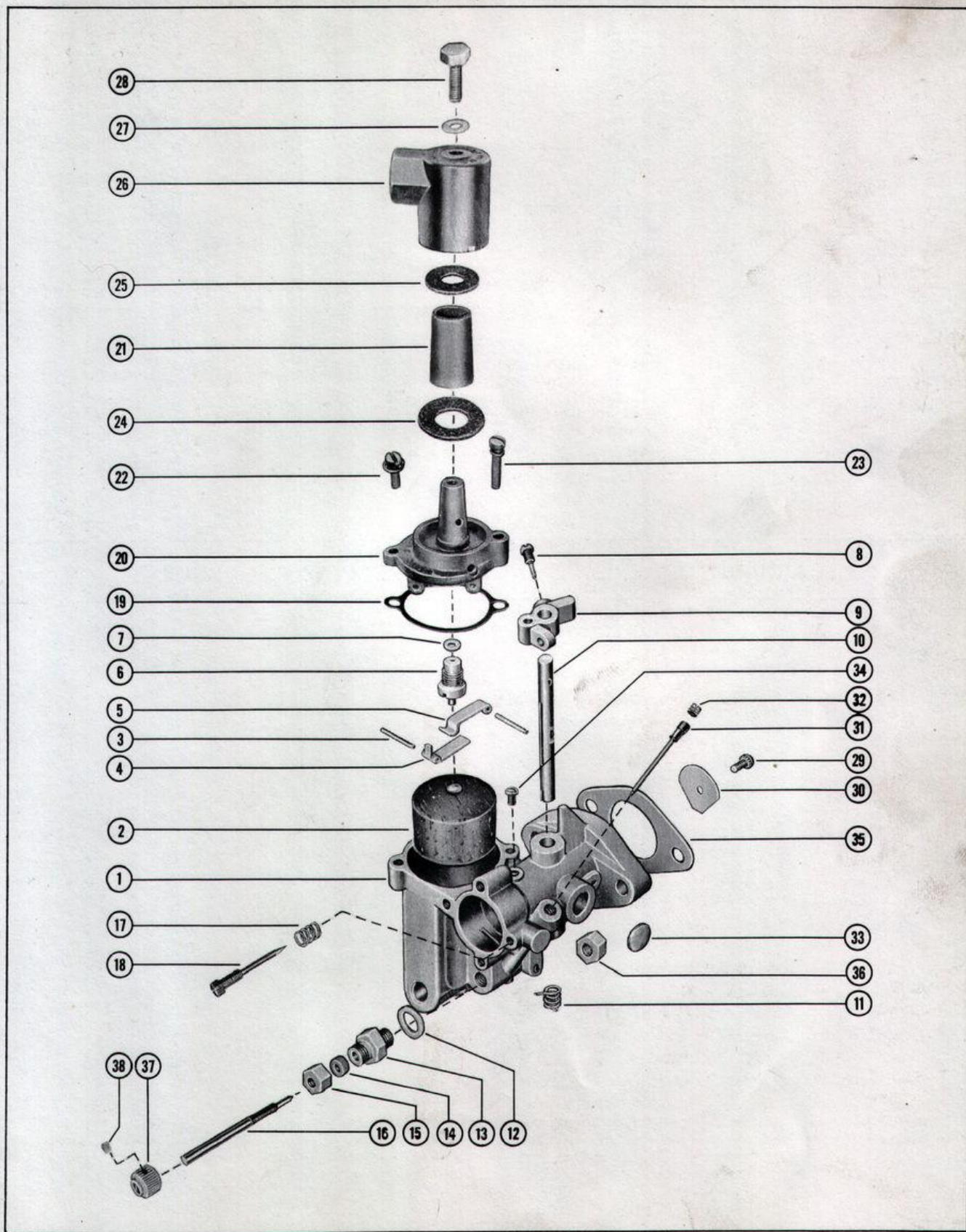
FLYWHEEL AND MAGNETO



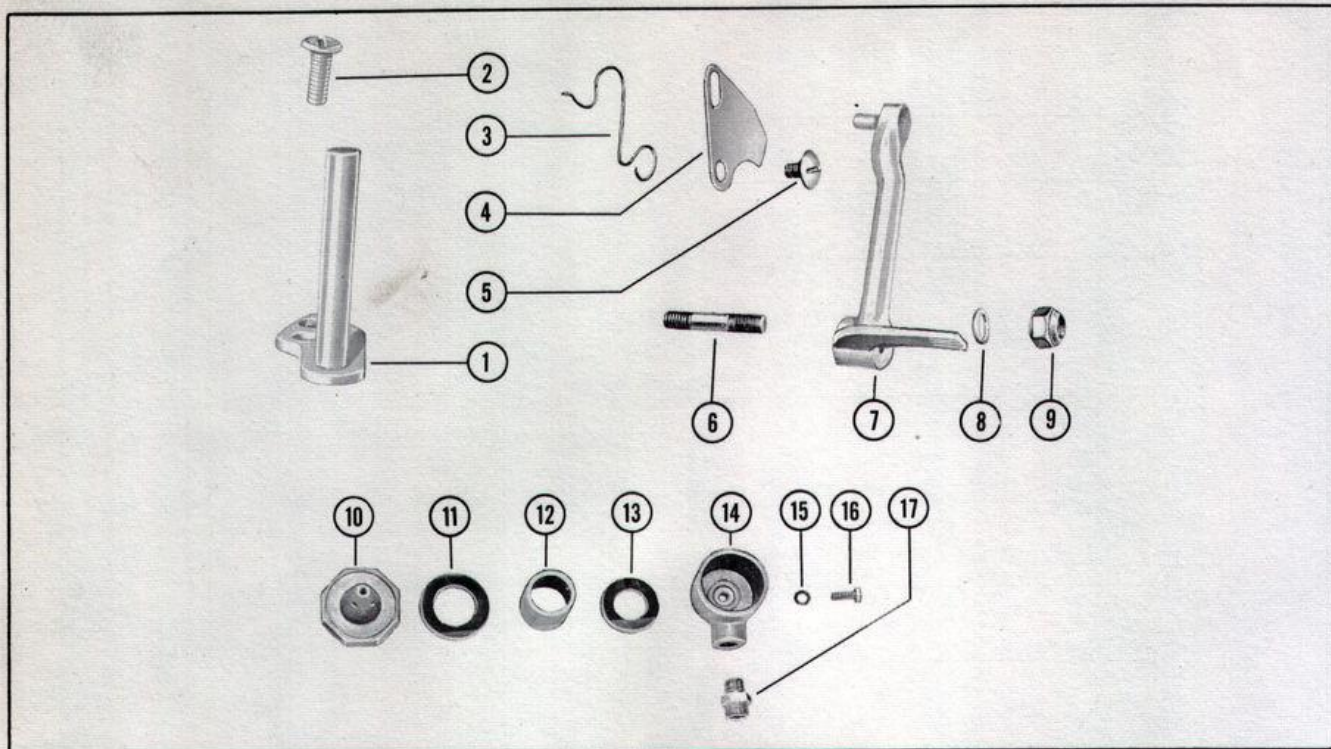
FLYWHEEL AND MAGNETO ASSEMBLY

PART NO.	REF. NO.	DESCRIPTION	MK25	MK25E	MK25 -1	MK25E -1	MK25 -2	MK25 -3
20144	1	Plate, auxiliary starter	1	1	1	1	1	1
10-24222	2	Screw, auxiliary plate to flywheel	3	3	3	3	3	3
13-20147	3	Lockwasher, auxiliary plate screw	3	3	3	3	3	3
11-22339	4	Nut, flywheel	1	1	1	1	1	1
28-20907	5	Key, flywheel	1	1	1	1	1	1
307-423	-	Magneto Assembly, Complete	1	-	1	-	1	1
323-890	-	Magneto Assembly, Complete (use with 23713A1 Starter Motor)	-	1	-	1	-	-
326-1048	-	Magneto Assembly, Complete (use with 25444 and 25942 Starter Motors)	-	-	-	1	-	-
398-1336	6	Flywheel	1	-	1	-	1	1
398-979	6	Flywheel	-	1	-	-	-	-
398-1120	6	Flywheel	-	-	-	1	-	-
398-175A2	-	Stator Assembly, Complete	1	-	1	-	1	1
398-175A3	-	Stator Assembly, Complete	-	1	-	1	-	-
398-175	7 & 8	Stator & Core	1	-	1	-	1	1
398-1097	7 & 8	Stator & Core	-	1	-	1	-	-
398-963	9	Screw, core fastening	4	4	4	4	4	4
13-21144	10	Lockwasher, core fastening screw	4	4	4	4	4	4
398-174	11	Breaker Point Assembly	2	2	2	2	2	2
10-21133	12	Screw, fixed contact	2	2	2	2	2	2
13-21134	13	Lockwasher, fixed contact screw	2	2	2	2	2	2
12-21135	14	Washer, fixed contact screw	2	2	2	2	2	2
10-23976	15	Screw, breaker connection	2	2	2	2	2	2
398-693	16	Condenser	2	2	2	2	2	2
10-21136	17	Screw, condenser	2	2	2	2	2	2
13-21134	18	Lockwasher, condenser screw	2	2	2	2	2	2
398-173	19	Coil, ignition	2	2	2	2	2	2
10-21130	20	Screw, ground terminal	2	2	2	2	2	2
32-21137	21	Tube, lead wire	2	2	2	2	2	2
398-179	22	Clamp, lead wire tube	2	-	2	-	2	2
398-182	23	Clamp, lead wire plastic (#8 screw)	2	2	2	2	2	2
10-21138	25	Screw, lead wire clamp (#8 short)	2	2	2	2	2	2
10-21139	26	Screw, lead wire clamp (#8 long)	1	1	1	1	1	1
13-21134	27	Lockwasher, lead wire clamp (#8 screw)	3	3	3	3	3	3
12-21135	28	Washer, lead wire clamp (#8 screw)	1	1	1	1	1	1
12-23972	30	Washer, lead wire clamp screw (1/4)	-	2	-	2	-	-
23-20622	31	Bushing, rubber (lead wire)	1	1	1	1	1	1
398-190	32	Cover, breaker compartment sealing	1	1	1	1	1	1
10-21143	33	Screw, sealing cover fastening	4	4	4	4	4	4
398-965	34	Wire, lead - top	1	1	1	1	1	1
398-965	35	Wire, lead - bottom	1	1	1	1	1	1
20623	36	Marker, "Top" - lead wire	1	1	1	1	1	1
398-192	37	Wick, felt	1	1	1	1	1	1
23-25217	--	Bushing, rubber (lead wire)	-	1	-	1	-	-
25113	53	Harness, magneto ground	-	1	-	1	-	-
398-189	54	Clamp, magneto ground harness	-	1	-	1	-	-
10-21140	55	Screw, harness clamp	-	1	-	1	-	-
12-20028	--	Washer, harness clamp screw	-	1	-	1	-	-
25-25144	56	Grommet, stator plate	-	1	-	1	-	-
20119	38	Protector, spark plug	2	2	2	2	2	2
15-21390	39	Shim, magneto clamping spring (.031)	2	2	2	2	2	2
24-20569	40	Spring, magneto hold down	2	2	2	2	2	2
43-20611	41	Gear, sector - driven	1	1	1	1	1	1
10-25157	42	Screw, sector gear and spring fastening	4	4	4	4	4	4
13-26996	43	Lockwasher, sector gear screw	4	4	4	4	4	4
22930A2	44	Throttle Control Cam Assembly	1	1	1	1	1	1
23-23569	45	Spacer, throttle cam	1	1	1	1	1	1
10-20616	46	Screw, throttle cam mounting (short)	1	1	1	1	1	1
10-20619	47	Screw, throttle cam mounting (long)	1	1	1	1	1	1
13-26991	48	Lockwasher, throttle mounting screw	2	2	2	2	2	2
12-20028	49	Washer, throttle mounting	1	1	1	1	1	1
15-20626	50	Shim, magneto stator plate to crankcase (.015)	1	1	1	1	1	1
15-20627	51	Shim, clamp spring to crankcase (.015)	1	1	1	1	1	1
33-20127	52	Spark Plug	2	2	2	2	2	2
398-182	57	Clamp, harness to cylinder block cover	-	1	-	1	-	-
10-25960	58	Screw, harness clamp fastening	-	1	-	1	-	-
12-22450	--	Washer, harness clamp screw	-	1	-	1	-	-

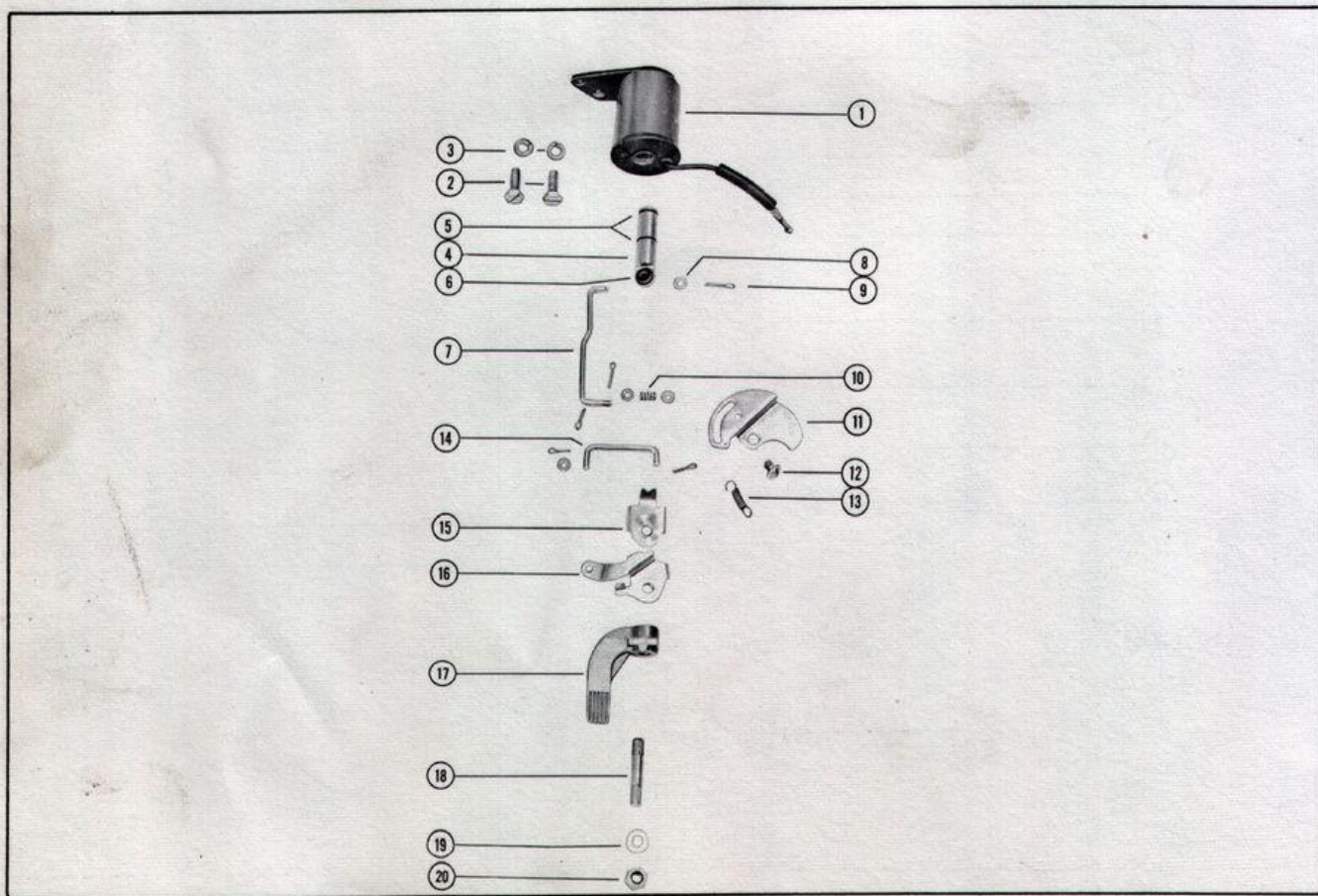
CARBURETOR ASSEMBLY



FUEL FILTER AND THROTTLE LEVER



CARBURETOR LINKAGE AND ELECTRIC CHOKE SOLENOID



FUEL FILTER AND THROTTLE LEVER

PART NO.	REF. NO.	DESCRIPTION	MK25	MK25E	MK25 -1	MK25E -1	MK25 -2	MK25 -3
22931A1	1	Throttle Lever Assembly	1	1	1	1	1	1
10-20597	2	Screw, throttle lever	1	1	1	1	1	1
24-20579	3	Spring, choke lever	1	-	1	-	1	1
20173	4	Shutter, choke	1	-	1	-	1	1
10-20578	5	Screw, choke shutter	1	-	1	-	1	1
16-20581	6	Stud, choke lever	1	-	1	-	1	1
23754	7	Lever, choke	1	-	1	-	1	1
13-20770	8	Washer, wave - choke lever stud	1	-	1	-	1	-
13-20511	8	Washer, wave - choke lever stud	-	-	-	-	-	1
12-20533	-	Washer, choke lever stud	-	-	-	-	-	1
11-20586	9	Nut, choke lever stud	1	-	1	-	1	1
35-23719A1	-	Fuel Filter Assembly (used with 1326-869 Carburetor)	1	1	1	1	-	-
23715	10	Base, fuel filter	1	1	1	1	-	-
27-23717	11	Gasket, fuel filter base	1	1	1	1	-	-
35-23719	12	Element, fuel filter	1	1	1	1	-	-
27-23718	13	Gasket, fuel filter cap	1	1	1	1	-	-
23716	14	Cap, fuel filter	1	1	1	1	-	-
12-25316	15	Washer, fuel filter cap screw	1	1	1	1	-	-
10-25315	16	Screw, fuel filter cap	1	1	1	1	-	-
22-22993	17	Fitting, filter to fuel line	1	-	1	-	1	1
22-22995	--	Fitting, filter to fuel line	-	1	-	1	-	-
22-22946	--	Sleeve, rubber	1	1	1	1	1	1
11-22948	--	Nut, fitting	1	1	1	1	1	1

CARBURETOR LINKAGE AND ELECTRIC CHOKE SOLENOID

PART NO.	REF. NO.	DESCRIPTION	MK25E	MK25E -1		
25208	1	Solenoid, choke	1	1		
10-24773	-	Screw, choke solenoid to top cowl	1	1		
10-20146	2	Screw, choke solenoid to top cowl	2	2		
13-26991	-	Lockwasher, choke solenoid screw	1	1		
13-20147	3	Lockwasher, choke solenoid screw	2	2		
25116A1	4	Plunger Assembly	1	1		
25-21706	5	"O" Ring, choke plunger	2	2		
25-25130	6	Grommet, choke plunger	1	1		
24954	7	Rod, solenoid to choke shutter	1	1		
12-20670	8	Washer, solenoid rod	3	3		
18-20180	9	Cotter Pin, solenoid rod to plunger	1	1		
24-24952	10	Spring, compression	1	1		
24953	11	Shutter, choke	1	1		
10-24957	12	Screw, choke shutter	1	1		
24-24959	13	Spring, choke shutter	1	1		
24955	14	Link, adaptor to shutter	1	1		
12-20670	8	Washer, adaptor link	2	2		
18-20180	9	Cotter Pin, adaptor link	5	5		
24-24958	15	Spring, detent	1	1		
24951	16	Adaptor, choke lever	1	1		
24956	17	Lever, choke	1	1		
16-21868	18	Stud, adaptor and choke lever mounting	1	1		
12-20583	19	Washer, choke lever stud	2	2		
11-20586	20	Nut, choke lever stud	1	1		
10-20650	--	Screw, shutter stop	1	1		

FUEL PUMP

PART NO.	REF. NO.	DESCRIPTION	MK25	MK25E	MK25 -1	MK25E -1	MK25 -2	MK25 -3
23009A1	1	Fuel Pump Assembly	1	1	1	1	1	1
21-20963	2	Valve, check	2	2	2	2	2	2
27-23005	3	Gasket, check valve	2	2	2	2	2	2
10-20037	4	Screw, check valve retainer to housing	2	2	2	2	2	2
23004	5	Retainer, check valve	1	1	1	1	1	1
23014	6	Diaphragm, fuel pump	1	1	1	1	1	1
27-24863	7	Gasket, fuel pump	2	2	2	2	2	2
23885	8	Cover, fuel pump	-	1	-	1	-	-
10-25207	9	Screw, fuel pump housing (1 1/2")	2	2	2	2	2	2
10-22411	10	Screw, fuel pump housing (1")	1	1	1	1	1	1
13-20554	11	Lockwasher, fuel pump housing screw	3	3	3	3	3	3
22-22995	12	Fitting, pressure line	-	1	-	1	-	-
22-22946	14	Sleeve, fitting	-	1	-	1	-	-
11-22948	15	Nut, fitting	-	1	-	1	-	-
22-22993	13	Fitting, pressure line	-	1	-	1	-	-
22-22946	14	Sleeve, fitting	-	1	-	1	-	-
11-22948	15	Nut, fitting	-	1	-	1	-	-
32-24818	16	Line, pressure - fuel pump to bracket	-	1	-	1	-	-
32-23731	17	Line, pressure - fuel pump to bracket	-	1	-	1	-	-
32-23732	18	Line, fuel - fuel pump to filter	1	-	1	-	1	1
32-25209	18	Line, fuel - fuel pump to filter	-	1	-	1	-	-
24-25106	--	Spring, fuel line	-	1	-	1	-	-
32-23731	19	Line, fuel - fuel pump to adaptor	1	-	1	-	1	1
24-24950	--	Spring, fuel line	1	-	1	-	1	1
32-24819	19	Line, fuel - fuel pump to adaptor	-	1	-	1	-	-
22-22995	12	Fitting, fuel line	-	1	-	1	-	-
22-22946	14	Sleeve, fitting	-	1	-	1	-	-
11-22948	15	Nut, fitting	-	1	-	1	-	-
27-23880	20	Gasket, crankcase to motor bracket	-	1	-	1	-	-
23766	21	Bracket, starter motor mounting (see note below)	-	1	-	1	-	-
16-20789	--	Stud, motor bracket to c/case (1 3/8)	-	2	-	2	-	-
16-23150	--	Stud, motor bracket to c/case (1 1/16)	-	1	-	-	-	-
16-23207	--	Stud, motor bracket to c/case (15/16)	-	-	-	2	-	-
10-21424	22	Screw, motor mounting bracket (1/2")	-	2	-	-	-	-
10-25205	--	Screw, motor mounting bracket (3/4")	-	1	-	-	-	-
13-20147	23	Lockwasher, mounting bracket stud	-	3	-	2	-	-
11-20088	24	Nut, mounting bracket stud	-	3	-	2	-	-
11-20184	24	Nut, mounting bracket stud	-	-	-	2	-	-
13-20147	25	Lockwasher, fuel pump cover screw	-	2	-	2	-	-
10-24963	26	Screw, fuel pump cover to cowl	-	2	-	2	-	-

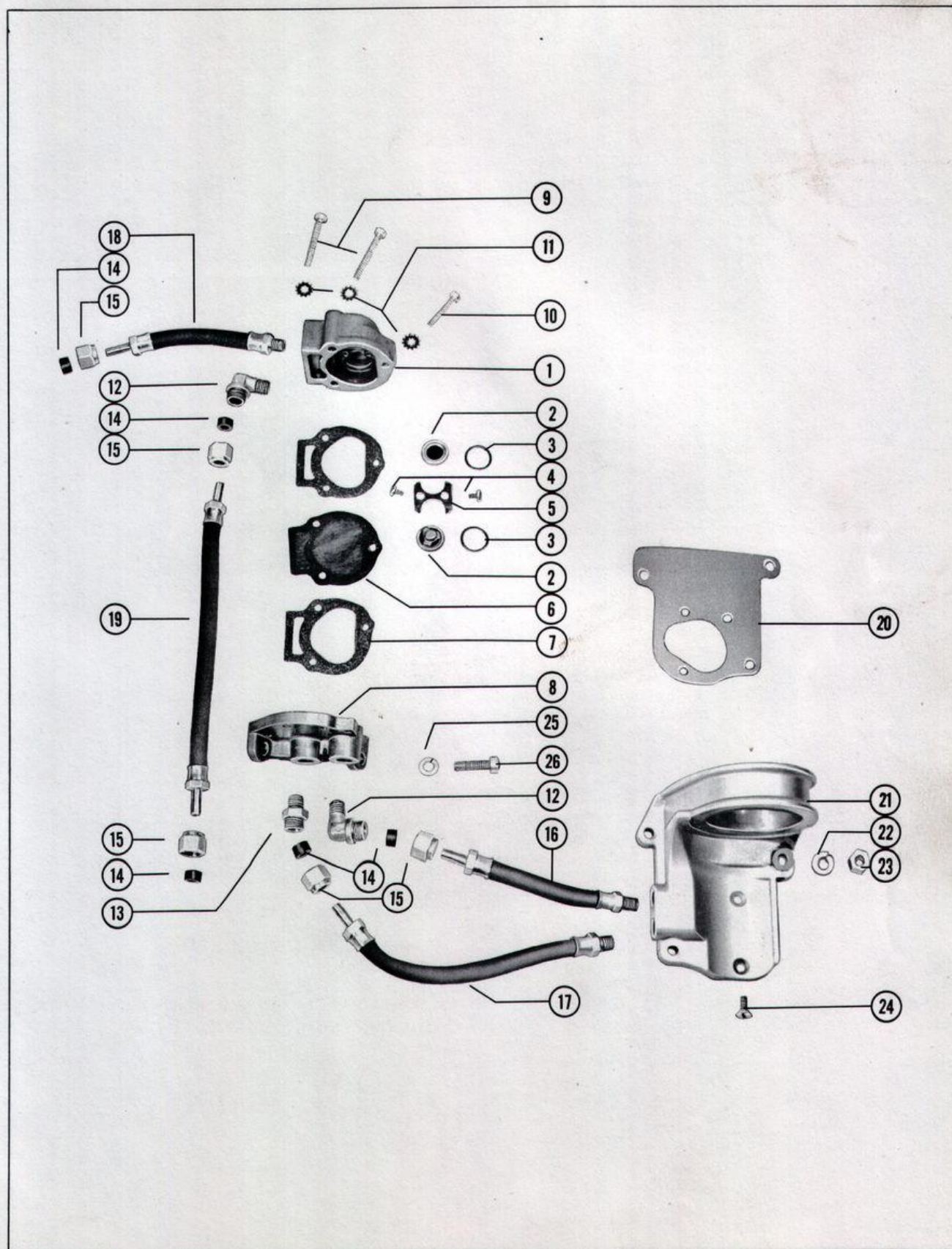
Note: With old style 23766 Bracket (without bosses) the following parts are needed to fasten Electric Starter Motor to Bracket:

1 ea. 25474 Upper Plate	2 ea. 13-26993 Lockwasher
1 ea. 17-24873 Roll Pin	2 ea. 13-20147 Lockwasher
2 ea. 10-25503 Screw	

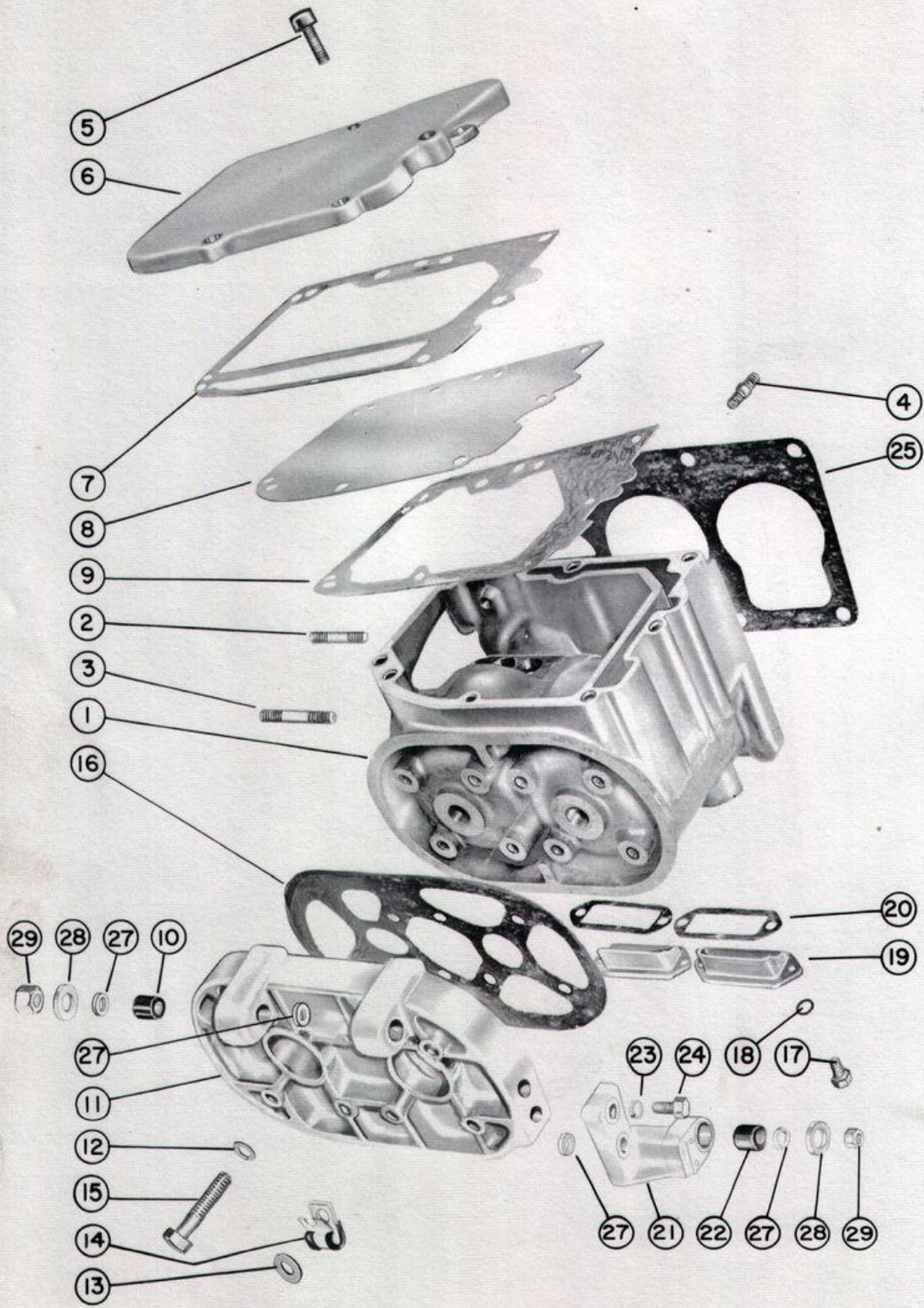
With new style 23766 Bracket (with bosses added) the following parts are needed to fasten Electric Starter Motor to Bracket:

2 ea. 10-20362 Screw	2 ea. 13-20147 Lockwasher
2 ea. 13-26993 Lockwasher	

FUEL PUMP



CYLINDER BLOCK



CYLINDER BLOCK

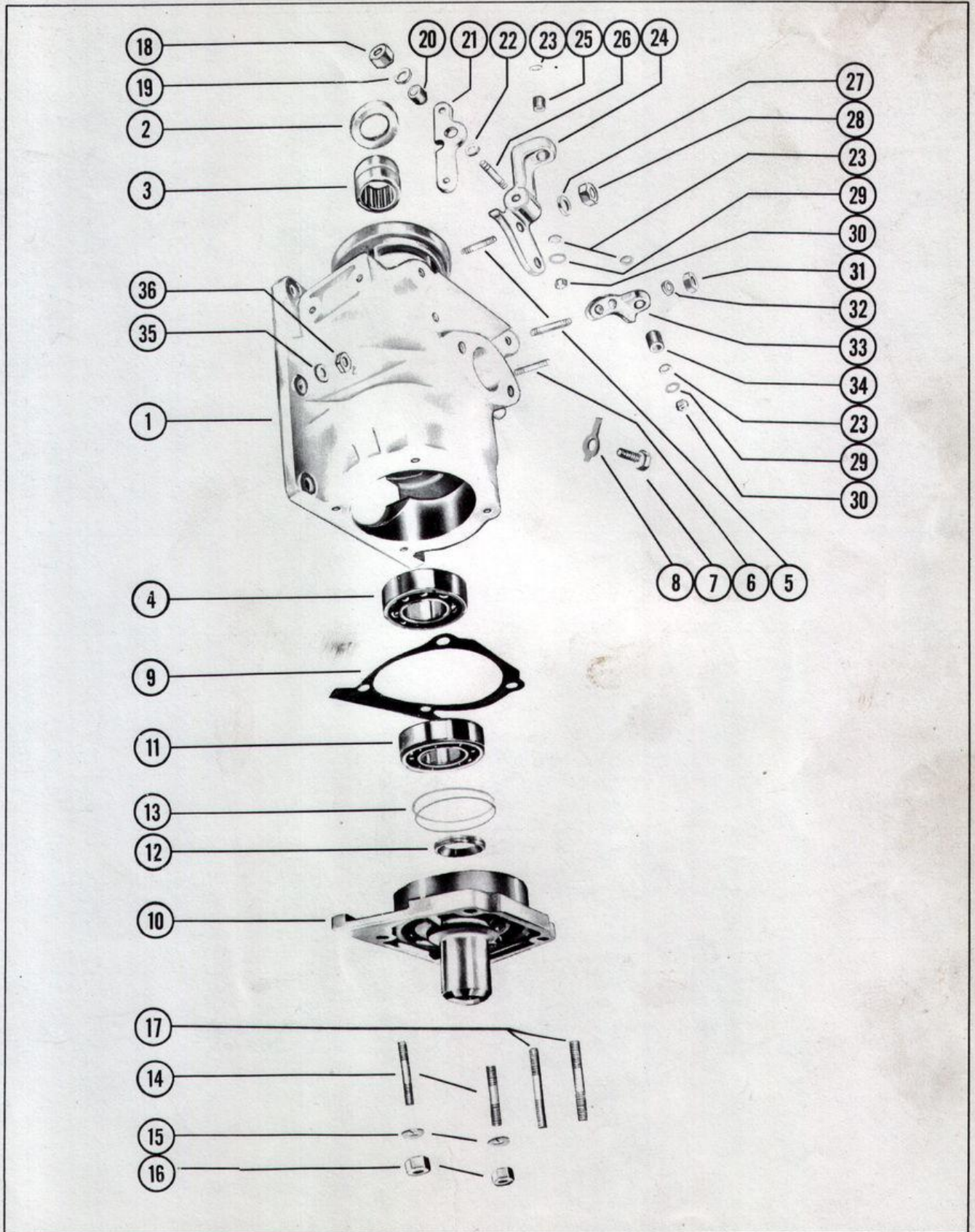
PART NO.	REF. NO.	DESCRIPTION	MK25	MK25E	MK25 -1	MK25E -1	MK25 -2	MK25 -3
811-467A1	1	Cylinder Block Assembly	1	1	1	1	1	1
16-23740	4	Stud, cylinder block to crankcase (1 3/32)	1	1	1	1	1	1
16-20956	2 & 3	Stud, drive shaft housing to powerhead	4	4	4	4	4	4
16-20525	4	Stud, cylinder block to crankcase (1 5/16)	5	5	5	5	5	5
10-24222	5	Screw, manifold cover	7	7	7	7	7	7
20539	6	Cover, exhaust manifold	1	-	1	-	1	1
25141	6	Cover, exhaust manifold	-	1	-	1	-	-
27-20538	7	Gasket, manifold cover to baffle plate	1	1	1	1	1	1
20537	8	Plate, manifold baffle	1	1	1	1	1	1
27-20536	9	Gasket, cylinder block to manifold plate	1	1	1	1	1	1
1002-63A1	11	Cylinder Block Cover Assembly	1	1	1	1	1	1
23-20528	10	Bushing, cowl mounting	2	2	2	2	2	2
12-20028	12	Washer, cylinder block cover screw (7/16)	7	8	7	8	7	7
12-20533	13	Washer, cylinder block cover screw (9/16)	1	1	1	1	1	1
54-20534	14	Clip, high tension lead	1	1	1	1	1	1
10-20532	15	Screw, cover to cylinder block	8	8	8	8	8	8
27-20531	16	Gasket, cylinder block cover	1	1	1	1	1	1
10-24222	17	Screw, transfer port cover	4	3	4	3	4	4
12-20028	18	Washer, transfer port cover screw	4	3	4	3	4	4
25206	19	Cover, transfer port	2	2	2	2	2	2
27-20030	20	Gasket, transfer port cover	2	2	2	2	2	2
20543A1	21	Rear Bracket Assembly, top cowl mounting	1	1	1	1	1	1
23-20528	22	Bushing	1	1	1	1	1	1
13-20147	23	Lockwasher, rear bracket mounting screw	2	-	2	-	2	2
10-20542	24	Screw, rear bracket mounting	2	-	2	-	2	2
27-21173	25	Gasket, cylinder block to crankcase	1	1	1	1	1	1
12-20028	27	Washer, top cowl mounting stud (small)	6	6	6	6	6	6
12-20346	28	Washer, top cowl mounting stud (large)	2	2	2	2	2	2
12-20583	--	Washer, top cowl mounting stud (spacer)	2	2	2	2	2	4
11-20361	29	Nut, top cowl mounting stud	4	4	4	4	4	4

CRANKCASE

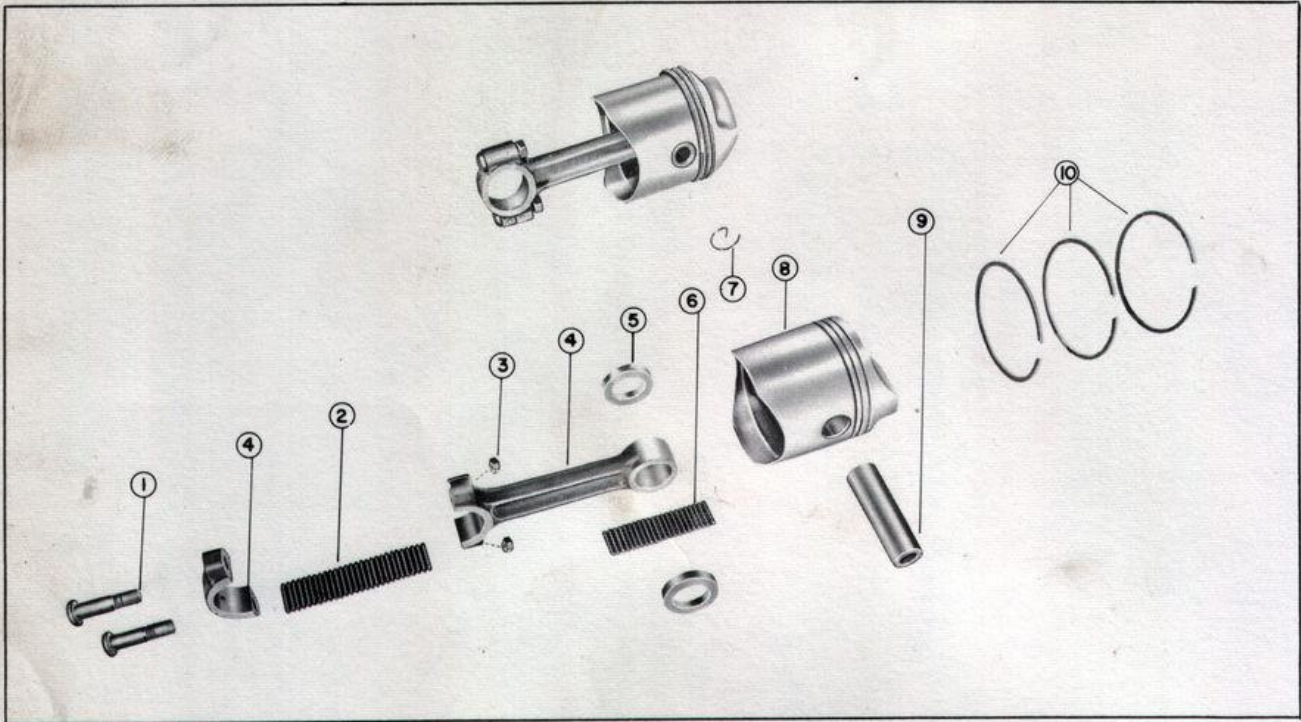
PART NO.	REF. NO.	DESCRIPTION	MK25-25E	MK25-25E	MK25	MK25
				-1	-2	-3
912-870A1	1	Crankcase Assembly (standard engines)	1	1	1	1
912-876A1	1	Crankcase Assembly (electric engines)	1	1	-	-
26-20530	2	Oil Seal	1	1	1	1
31-20594	3	Bearing, roller	1	1	1	1
30-20464	4	Bearing, ball	1	1	1	1
16-20469	5	Stud, crankcase to mounting bracket	4	4	4	4
16-22806	6	Stud, crankcase to carburetor	2	2	2	2
16-20467	14	Stud, crankcase to crankcase bottom	2	2	2	2
16-25932	17	Stud, crankcase to drive shaft housing	2	2	2	2
10-20090	7	Screw, main bearing locking	1	1	1	1
14-20091	8	Tab Washer, main bearing locking screw	1	1	1	1
27-20501	9	Gasket, crankcase bottom to crankcase	1	1	1	1
1122-840A1	10	Crankcase Bottom Assembly	1	1	1	1
30-20464	11	Bearing, ball	1	1	1	1
26-20948	12	Oil Seal	1	1	1	1
15-20514	13	Shim, steel (.002-3-5-10)	AR	AR	AR	AR
13-20147	15	Lockwasher, crankcase bottom stud	2	2	2	2
11-20184	16	Nut, crankcase bottom stud	2	2	2	2
11-20509	18	Nut, cowl mounting plate stud	1	1	1	1
12-20572	19	Washer, cowl mounting plate stud	1	1	1	1
23-20571	20	Bushing, rubber tapered	1	1	1	1
20570	21	Plate, cowl mounting	1	1	1	1
24964	21	Plate, cowl mounting	*1	-	-	-
12-20551	22	Washer, rubber - plate to stbd. bracket	1	1	1	1
12-20028	23	Washer, cowl mounting stud	4	4	4	4
20549A1	24	Front Starboard Bracket Assembly	1	1	1	1
23884A1	24	Front Starboard Bracket Assembly	*1	-	-	-
23-20528	25	Bushing	1	1	1	1
16-20550	26	Stud, cowl mounting plate	1	1	1	1
12-20028	27	Washer, bracket mounting stud (starboard)	2	-	-	-
11-20184	28	Nut, bracket mounting stud (starboard)	2	2	2	2
12-20346	29	Washer, cowl mounting stud	2	2	2	2
11-20361	30	Nut, cowl mounting stud	2	2	2	2
11-20184	31	Nut, bracket mounting stud (port)	2	2	2	2
12-20028	32	Washer, bracket mounting stud (port)	2	-	-	-
20573A1	33	Front Port Bracket Assembly	1	1	1	1
23-20528	34	Bushing	1	1	1	1
12-20546	35	Washer, crankcase to cylinder block stud	6	-	-	-
11-20083	36	Nut, crankcase to cylinder block stud	6	6	6	6

* Used only on Mark 25E engines

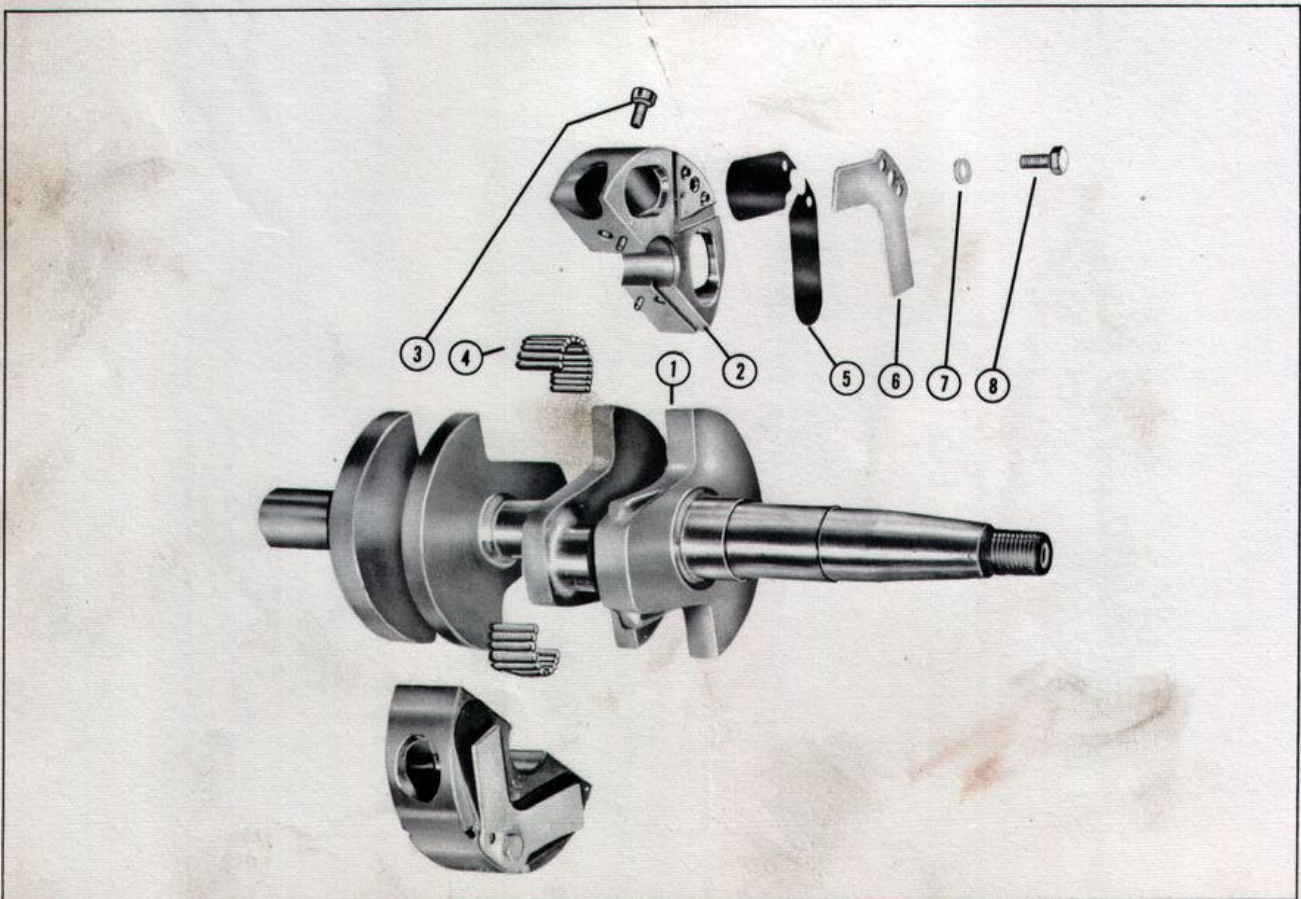
CRANKCASE



PISTONS AND CONNECTING RODS



CRANKSHAFT AND CENTERMAIN BEARING



PISTONS AND CONNECTING RODS

PART NO.	REF. NO.	DESCRIPTION	MK25-25E	MK25-25E	MK25	MK25
				-1	-2	-3
600-7A1	-	Connecting Rod Assembly	2	2	2	2
10-20060	1	Screw, connecting rod	4	4	4	4
29-20046	2	Bearing, needle - crankpin	50	50	50	50
11-20061	3	Nut, connecting rod screw	4	4	4	4
N. S. S.	4	Rod and Cap, connecting	2	2	2	2
12-20064	5	Washer, needle bearing retaining	4	4	4	4
29-20063	6	Bearing, needle - piston pin	44	44	44	44
718-1193A2	-	Piston & Piston Pin Assembly	2	2	2	2
40-20057	7	Ring, lock - piston pin	4	4	4	4
N. S. S.	8	Piston	2	2	2	2
N. S. S.	9	Pin, piston	2	2	2	2
39-20058	10	Ring, piston	6	6	6	6

Oversize Pistons and Rings

PART NO.	REF. NO.	DESCRIPTION	MK25-25E	MK25-25E	MK25	MK25
				-1	-2	-3
718-1313A1	--	Piston & Piston Pin Assembly (.015 oversize)	2	2	2	2
39-20992	--	Rings, piston (.015 oversize)	6	6	6	6

CRANKSHAFT AND CENTER MAIN BEARING

PART NO.	REF. NO.	DESCRIPTION	MK25-25E	MK25-25E	MK25	MK25
				-1	-2	-3
401-896	1	Crankshaft	*1	-	-	-
401-950	1	Crankshaft	1	1	1	1
#516-895A3	2	Center Main Bearing Assembly	*1	-	-	-
17-20032	-	Pin, dowel	10	-	-	-
10-20049	3	Screw, center main bearing clamping	2	-	-	-
29-24900	4	Bearing, needle - center main brg.	*22	-	-	-
#524-1309A1	2	Center Main Bearing Assembly	1	1	1	-
17-20032	-	Pin, dowel	10	10	10	-
10-20049	3	Screw, center main bearing clamping	2	2	2	-
25103	-	Insert, center main bearing (pair)	1	1	1	-
523-1416A1	2	Center Main Bearing Assembly	-	-	-	1
17-20032	-	Pin, dowel	-	-	-	10
10-20049	3	Screw, center main bearing clamping	-	-	-	2
34-20888	5	Reed Set, matched (.012)	1	1	1	1
34-20053	6	Stop, reed	4	4	4	4
12-26014	7	Washer, reed fastening screw	4	4	4	4
10-20055	8	Screw, reed fastening	4	4	4	4

* Used up to Serial #867554 on Mark 25 and Serial #882123 on Mark 25E.

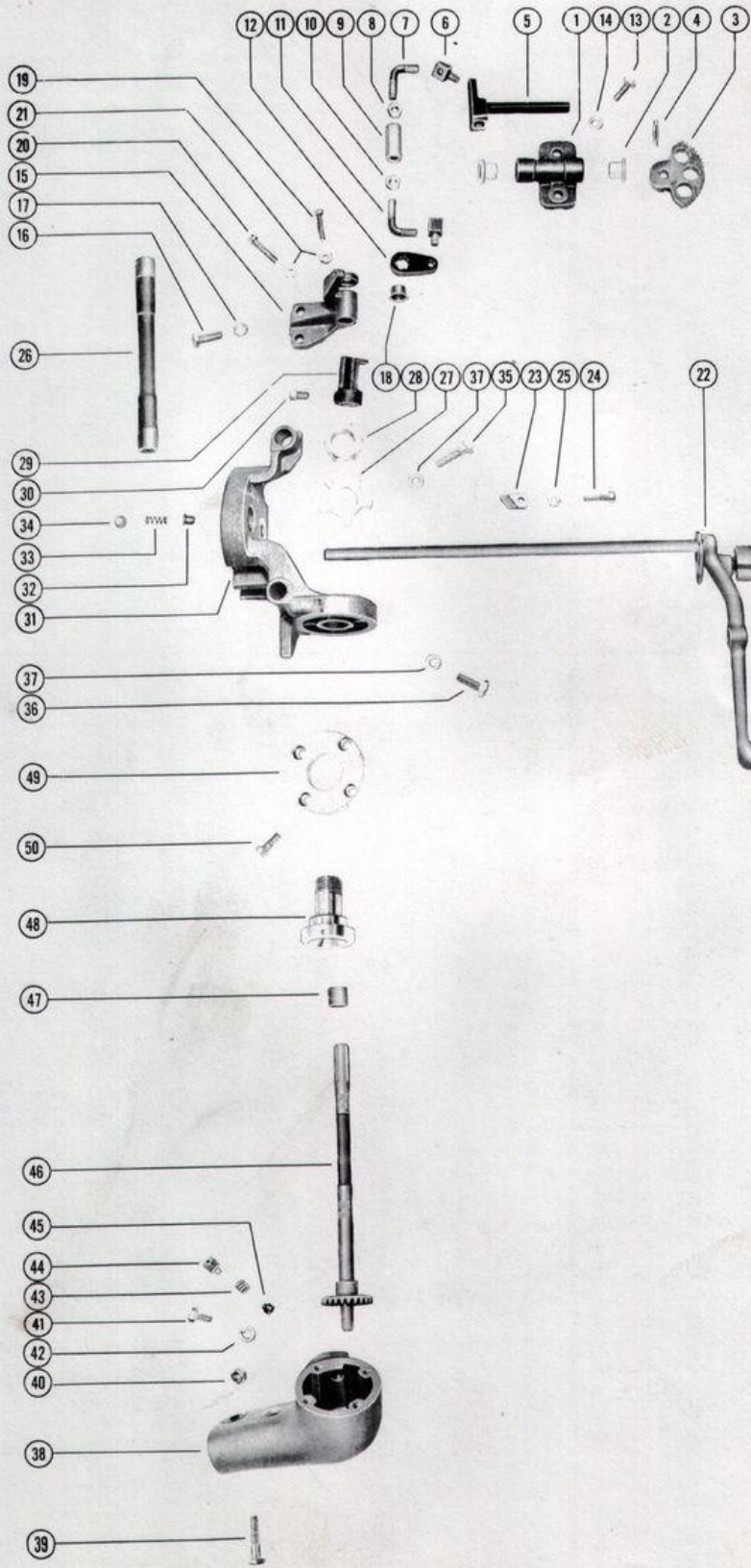
516-895A3 and 524-1309A1 Center Main Bearing Assemblies are no longer available, for replacement order 523-1416A1 Center Main Bearing Assembly. 401-896 Crankshaft must be used on those engines that still use 516-895A3 Center Main Bearing Assembly (with needle bearings). All other center main bearing assemblies (with or without Quicksilver insert) use 401-950 Crankshaft.

THROTTLE AND SHIFT MECHANISM

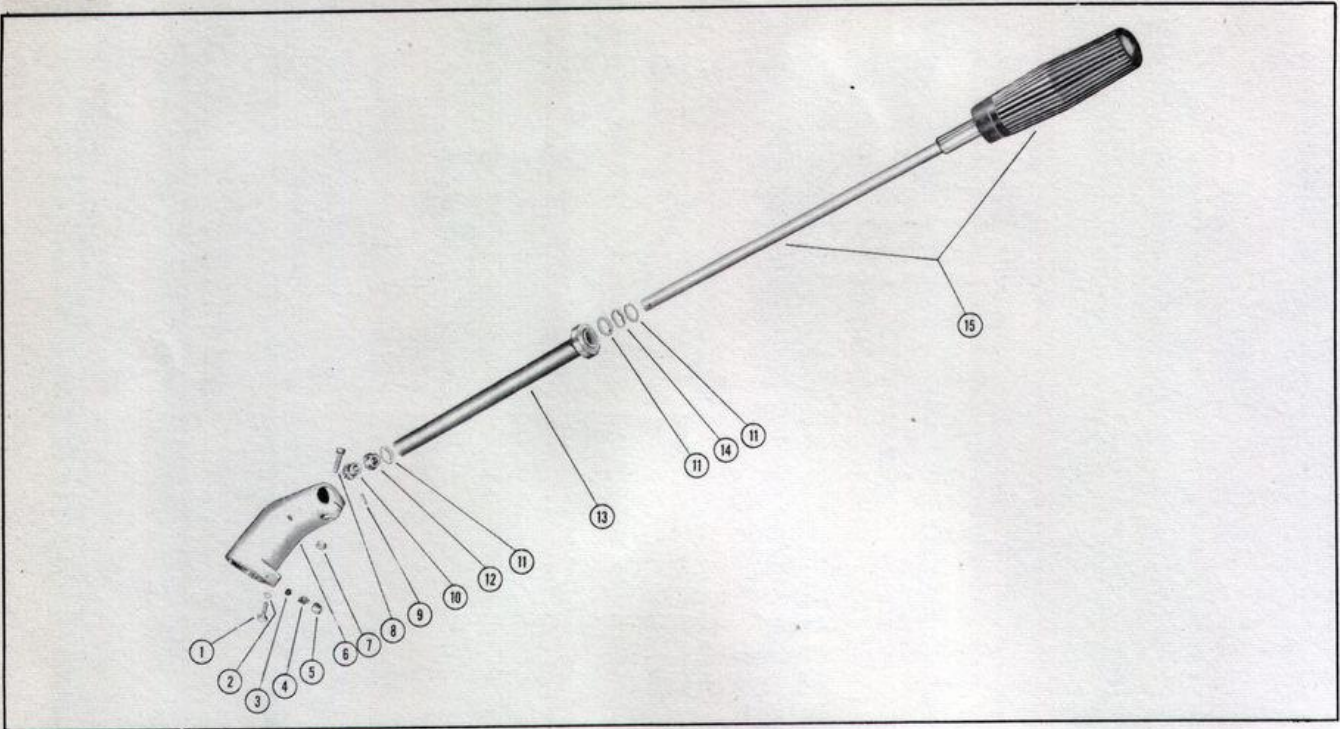
PART NO.	REF. NO.	DESCRIPTION	MK25-25E	MK25-25E -1	MK25 -2	MK25 -3
22689A2	-	Vertical Shaft Bracket Assembly, Complete	1	1	1	1
22689A1	1	Vertical Shaft Bracket Assembly	1	1	1	1
23-22571	2	Bushing, vertical shaft bracket	2	2	2	2
43-20471	3	Gear, sector - drive	1	1	1	1
17-20000	4	Groove Pin, sector gear	1	1	1	1
20022A1	5	Vertical Shaft Assembly	1	1	1	1
15-20473	-	Shim, vertical shaft to bracket (.010-20)	AR	AR	AR	AR
20752	6	Swivel, throttle control linkage	2	2	2	2
20753	7	Rod, left hand thread (N.L.A.-order one piece rod part #25543)	1	-	-	-
11-20754	8	Nut, control rod connector sleeve (left hand thread)	1	-	-	-
20755	9	Sleeve, control rod connector	1	-	-	-
11-20013	10	Nut, control rod connector sleeve (right hand thread)	1	-	-	-
20756	11	Rod, right hand thread	1	-	-	-
25543	--	Rod, link - throttle control linkage	-	1	1	1
23605	12	Lever, cross shaft	1	1	1	1
10-20146	13	Screw, vertical shaft bracket mounting	2	2	2	2
12-20028	14	Washer, vertical bracket mounting screw	2	2	2	2
15-20475	--	Shim, vertical bracket to crankcase (.005-10)	AR	AR	AR	AR
23625	15	Bracket, throttle shaft bearing	1	1	1	1
10-20723	16	Screw, bearing bracket to crankcase	2	2	2	2
12-20028	17	Washer, throttle bearing bracket screw	2	2	2	2
23-25063	18	Bushing, throttle shaft bearing bracket	1	1	1	1
10-21335	19	Screw, throttle adjusting (7/8")	1	1	1	1
10-20644	20	Screw, throttle adjusting (1")	1	1	1	1
11-20645	21	Nut, throttle adjusting screw	2	2	2	2
23622A3	22	Shift Control Lever Assembly	1	-	-	-
25765A1	22	Shift Control Lever Assembly	-	-	1	-
25765A3	22	Shift Control Lever Assembly	-	-	1	1
11-20184	--	Nut, interlock tightening	1	-	-	-
23620	23	Lug, detent plate hold down	1	1	1	1
10-22657	24	Screw, hold down lug to steering bracket	1	1	1	1
12-26014	25	Washer, hold down lug screw	1	1	1	1
23609A1	26	Shift Shaft Assembly (flexible)	1	1	-	-
20797	--	Coupling, shift control lever (use with 25765A3 Lever Assembly)	-	-	1	1
14-20745	27	Tab Washer, cross shaft bushing nut	1	1	1	1
11-20739	28	Nut, cross shaft bushing	1	1	1	1
23624	29	Drum, throttle and shift lock	1	1	1	1
10-20716	30	Screw, set - throttle and shift lock drum	1	1	1	1
23626A1	31	Steering Bracket Assembly	1	1	-	-
23626A2	31	Steering Bracket Assembly	-	-	1	1
17-24813	--	Pin, saddle locating	2	2	2	2
17-23648	32	Pin, detent	1	1	-	-
17-26070	32	Pin, detent	-	-	1	1
24-23706	33	Spring, detent pin	1	1	-	-
24-26069	33	Spring, detent pin	-	-	1	1
19-20011	34	Welch Plug, detent spring holding	1	1	-	-
10-28667	35	Screw, steering bracket to housing (1")	1	1	1	1
10-20474	36	Screw, steering bracket to housing (3/4")	2	2	2	2
13-20147	37	Lockwasher, steering bracket screw	3	3	3	3
20735	38	Elbow, steering handle	1	1	1	1
10-21091	39	Screw, steering handle clamp	1	1	1	1
11-20361	40	Nut, steering handle clamp screw	1	1	1	1
10-20031	41	Screw, steering handle locating	1	1	1	1
13-20147	42	Lockwasher, steering handle locating screw	1	1	1	1
24-20609	43	Spring, friction plug	1	1	1	1
10-20608	44	Screw, friction plug	1	1	1	1
20737	45	Plug, friction	1	1	1	1
23606A2	46	Cross Shaft Assembly (see note below)	1	1	1	1
23-25326	47	Tube, spacer	1	1	1	1
23-23912	48	Bushing, cross shaft	1	1	1	1
20744	49	Plate, elbow cover	1	1	1	1
10-20738	50	Screw, elbow cover plate to elbow	4	4	4	4

NOTE: Use 23-23913 spacer tube with engines still using 23606A1 Cross Shaft Assembly.

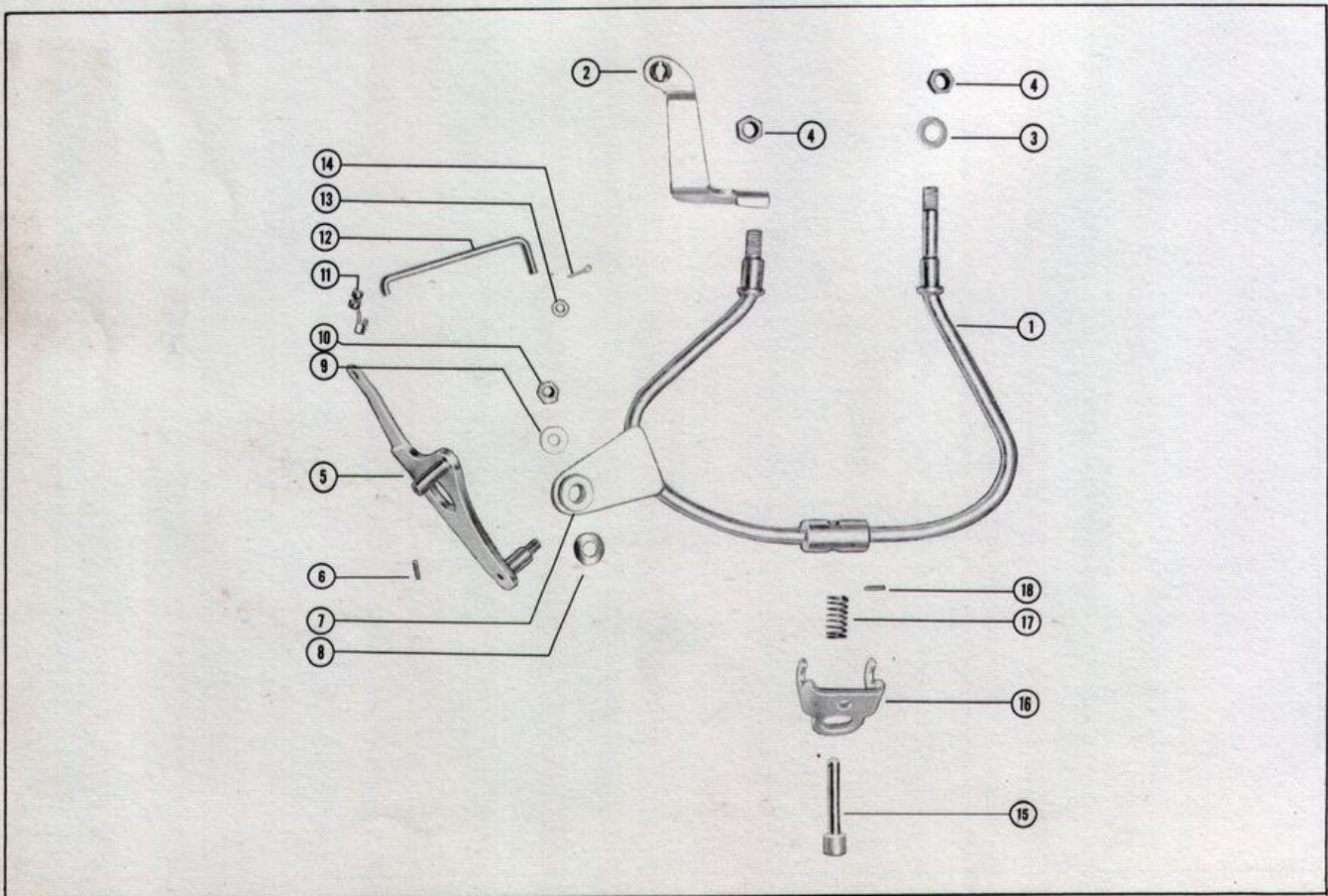
THROTTLE AND SHIFT MECHANISM



STEERING HANDLE



INSIDE STEERING BAR



STEERING HANDLE

PART NO.	REF. NO.	DESCRIPTION	MK25-25E	MK25-25E	MK25	MK25
				-1	-2	-3
10-20031	1	Screw, steering handle locating	1	1	1	1
13-20147	2	Lockwasher, steering handle locating screw	1	1	1	1
20737	3	Plug, friction	1	1	1	1
24-20609	4	Spring, friction plug	1	1	1	1
10-20608	5	Screw, friction plug	1	1	1	1
20735	6	Elbow, steering handle	1	1	1	1
11-20361	7	Nut, steering handle clamp screw	1	1	1	1
10-21091	8	Screw, steering handle clamp	1	1	1	1
20591A2	-	Steering Handle Assembly	1	1	1	1
17-24865	9	Pin, pinion gear	1	1	1	1
43-23221	10	Gear, pinion - steering handle shaft	1	1	1	1
15-20729	11	Shim, steel (.010)	2	2	2	2
20731A1	13	Tube Assembly, steering handle	1	1	1	1
23-20733	12	Bushing, steering handle tube	1	1	1	1
20731	--	Tube, steering handle	1	1	1	1
20732	--	Ring, pointer - steering handle tube	1	1	1	1
13-20730	14	Washer, wave (steel)	1	1	1	1
20591A1	15	Handle Grip & Shaft Assembly	1	1	1	1
17-20728	--	Pin, steering handle shaft	1	1	1	1

*INSIDE STEERING BAR

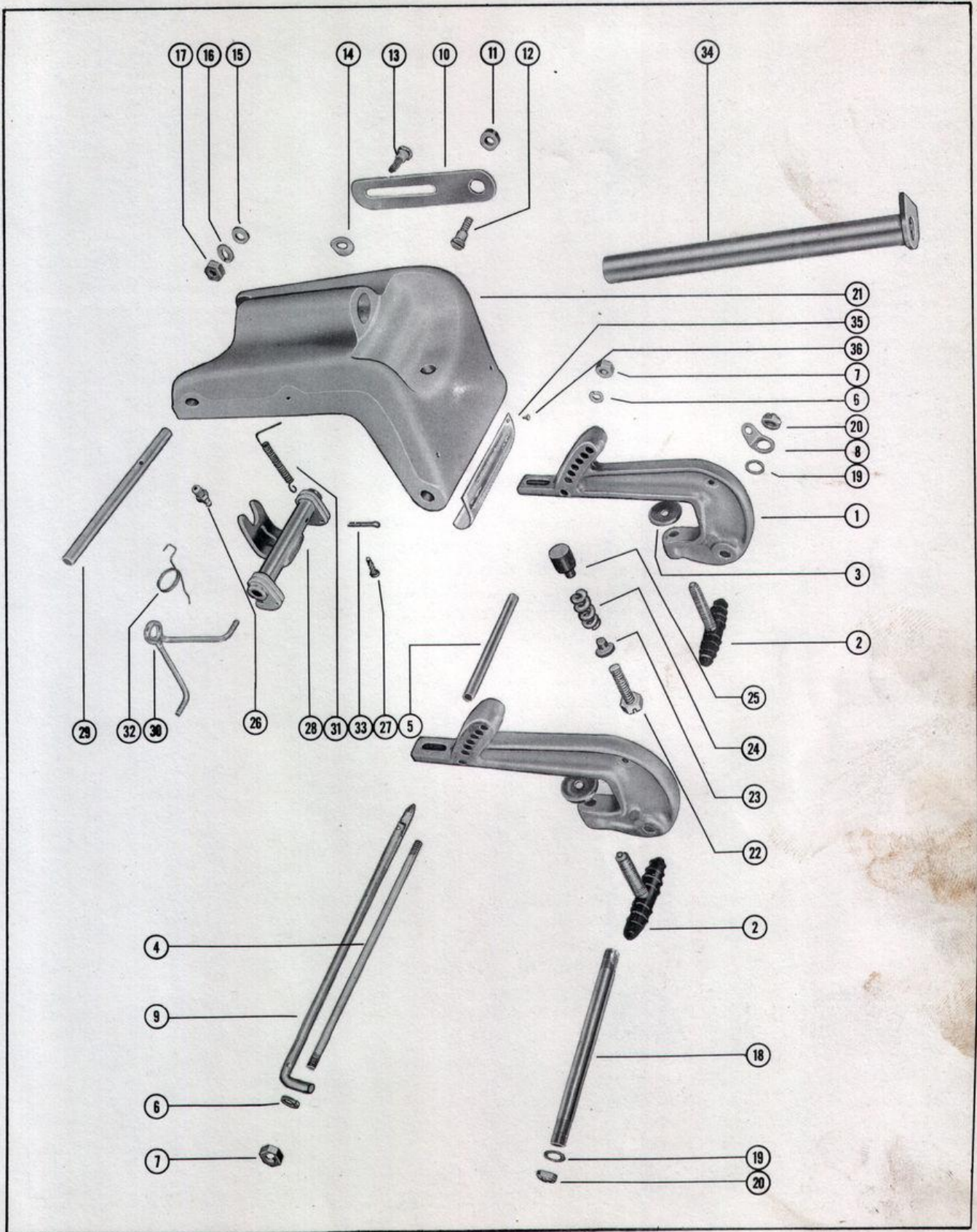
PART NO.	REF. NO.	DESCRIPTION	MK25-25E	MK25-25E	MK25	MK25
				-1	-2	-3
25882A2	-	*Inside Steering Bar Assembly, Complete	1	1	1	1
25882	1	Steering Bar Assembly	1	1	1	1
23859A1	2	Cable Anchor Bracket Assembly	1	1	1	1
12-20553	3	Washer, steering bar	1	1	1	1
11-20509	4	Nut, steering bar to steering bracket	2	2	2	2
25114	5	Bell Crank	1	1	1	1
17-23928	6	Roll Pin, bell crank pivot pin	1	1	1	1
23-23845	7	Bushing, flange - support bracket	1	1	-	-
23-26954	7	Bushing, flange - support bracket	-	-	2	2
13-23644	8	Washer, wave - bell crank shoulder screw	1	1	-	-
12-22937	9	Washer, bell crank shoulder screw	1	1	1	1
11-20664	10	Nut, bell crank shoulder screw	1	1	1	1
54-23856	11	Clip, clevis - link to bell crank	1	1	-	-
23855	12	Link, bell crank to shift control lever	1	1	1	1
12-26014	13	Washer, link fastening to control lever	1	1	1	1
18-26953	14	Cotter Pin, link fastening	1	1	2	2
20502A1	--	Swivel Assembly	1	1	1	1
17-20503	15	Pin, swivel to steering bar	1	1	1	1
20502	16	Swivel	1	1	1	1
24-20510	17	Spring, swivel pin	1	1	1	1
17-23928	18	Roll Pin, swivel pin	1	1	1	1

*Not Standard Equipment

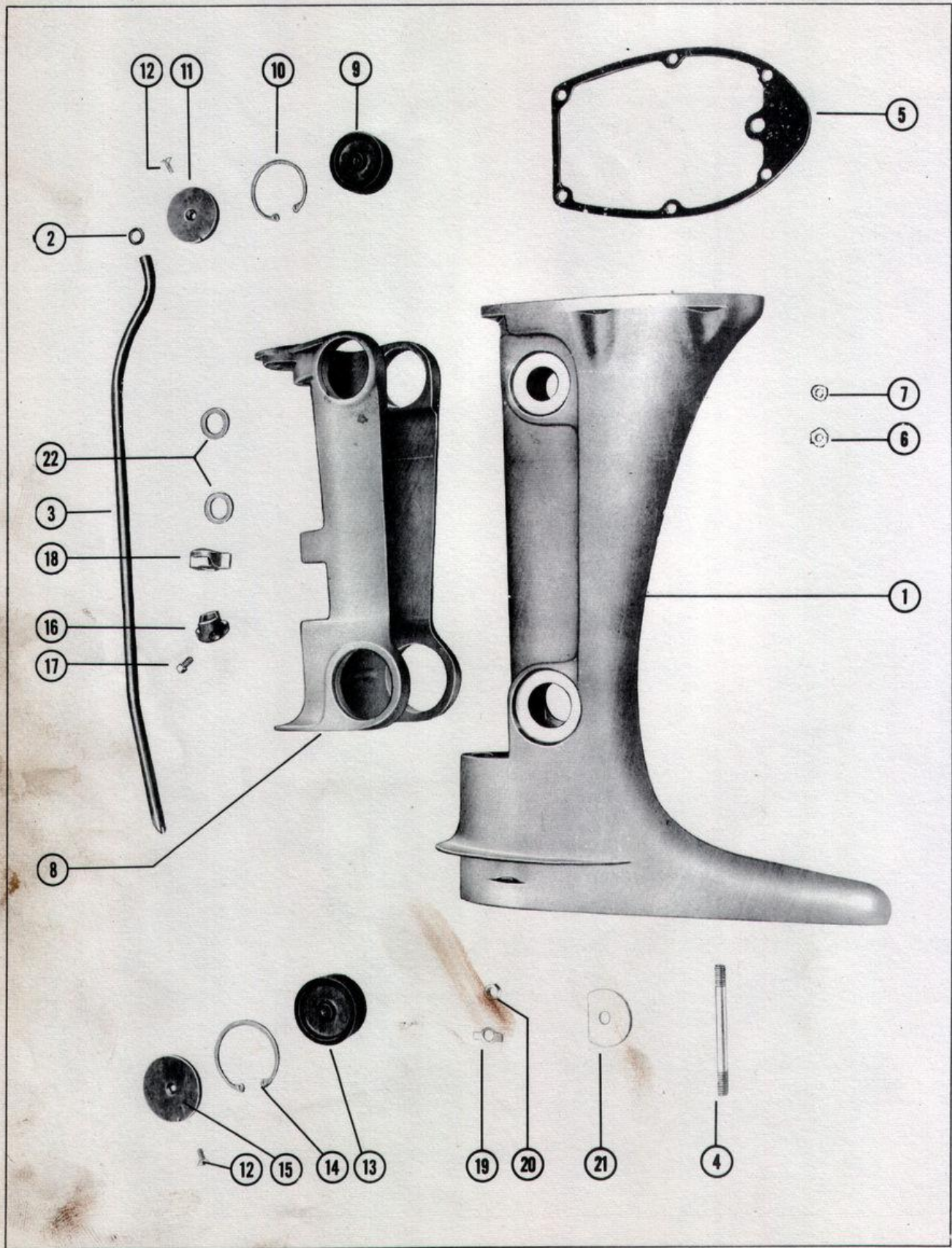
CLAMP AND SWIVEL BRACKET

PART NO.	REF. NO.	DESCRIPTION	MK25-25E	MK25-25E	MK25	MK25
				-1	-2	-3
1400-21A1	1	Clamp Bracket Assembly	2	-	-	-
1427-1081A1	1	Clamp Bracket Assembly	-	2	2	2
22477	2	Thumb Screw Assembly	2	2	2	2
12-20214	3	Washer, thumb screw	2	2	2	2
16-20657	4	Stud, clamp bracket	1	1	1	1
23-20658	5	Spacer, clamp bracket stud	1	1	1	1
13-20223	6	Lockwasher, clamp bracket stud nut	2	2	2	2
11-20083	7	Nut, clamp bracket stud	2	2	2	2
54-20284	8	Clip, safety chain	1	-	-	-
54-25735	8	Clip, safety chain	-	1	1	1
17-25696	9	Tilt Lock Pin	1	1	1	1
20693	10	Lever, tilt stop	1	1	1	1
23-20216	11	Spacer, tilt stop lever	1	1	1	1
10-20217	12	Screw, anchor - stop lever	1	1	1	1
10-27790	13	Screw, retaining	1	1	1	1
13-20846	14	Washer, wave - retaining screw	1	1	1	1
12-20028	15	Washer, lever anchor screw	2	-	-	-
13-20147	16	Lockwasher, lever anchor screw	2	2	2	2
11-20361	17	Nut, lever anchor screw	2	2	2	2
16-20694	18	Stud, clamp bracket to swivel bracket	1	-	-	-
16-25674	18	Stud, clamp bracket to swivel bracket	-	1	1	1
15-20695	19	Shim, clamp bracket to swivel bracket (.010)	2	-	-	-
15-25600	19	Shim, clamp bracket to swivel bracket (.010)	-	2	2	2
11-20696	20	Nut, clamp bracket stud	2	-	-	-
11-25599	20	Nut, clamp bracket stud	-	2	2	2
1428-841A1	21	Swivel Bracket Assembly	1	-	-	-
1428-1089A1	21	Swivel Bracket Assembly	-	1	-	-
1436-1185A1	21	Swivel Bracket Assembly	-	-	1	1
10-21077	22	Screw, tension adjusting	1	1	1	1
23614	23	Button, co-pilot spring	1	1	1	1
24-23705	24	Spring, co-pilot	1	1	1	1
23613	25	Button, friction - co-pilot	1	1	1	1
22-23612	26	Fitting, grease - swivel bracket	1	1	1	1
10-20697	27	Screw, drive - spring attaching	1	1	-	-
20974	28	Reverse Lock Lever	1	1	-	-
26093A1	28	Reverse Lock Lever Assembly	-	-	1	1
20709	29	Rod, reverse lock lever	1	1	-	-
26092	29	Rod, reverse lock lever	-	-	1	1
26094	30	Fork, actuator - reverse lock lever	-	-	1	1
24-20210	31	Spring, reverse lock lever	1	1	-	-
24-26182	32	Spring, reverse lock lever	-	-	1	1
18-20209	33	Cotter Pin, reverse lock lever	1	1	1	1
17-23617A1	34	Swivel Pin Assembly	1	1	-	-
17-26090A1	34	Swivel Pin Assembly	-	-	1	1
38-23746	35	Serial Plate	1	-	-	-
38-24824	35	Serial Plate (Mark 25E)	1	-	-	-
38-25680	35	Serial Plate	-	1	1	1
38-25708	35	Serial Plate (Mark 25E - 1)	-	1	-	-
10-20314	36	Screw, drive - serial plate	4	4	4	4

CLAMP AND SWIVEL BRACKET



DRIVESHAFT HOUSING AND SADDLE



DRIVE SHAFT HOUSING AND SADDLE

PART NO.	REF. NO.	DESCRIPTION	MK25-25E	MK25-25E -1	MK25 -2	MK25 -3
1527-1157A1	1	Drive Shaft Housing Assembly (see note below)	1	-	-	-
1525-1047A1	1	Drive Shaft Housing Assembly	-	1	1	1
25-20633	2	"O" Ring	1	1	1	1
32-20634	3	Tube, water inlet	1	1	1	1
16-23659	4	Stud, drive shaft housing to gear housing	1	-	-	-
16-25452	4	Stud, drive shaft housing to gear housing	-	1	1	1
1526-974	8	Saddle	1	-	-	-
27-25502	5	Gasket, drive shaft housing to powerhead	1	1	1	1
11-20184	6	Nut, drive shaft housing to powerhead	6	6	6	6
12-20028	7	Washer, drive shaft housing to powerhead	6	-	-	-
1521-843	8	Saddle (Use with 1520-842A1 Drive Shaft Housing Assembly)	1	-	-	-
1526-974	8	Saddle	-	1	-	-
1528-1184	8	Saddle	-	-	1	1
25150	9	Rubber Mount (upper)	2	-	-	-
25678	9	Rubber Mount (upper)	-	2	2	2
53-23720	10	Ring, retaining - upper mount	2	2	2	2
25155	11	Cover, upper mount	2	2	2	2
10-25156	12	Screw, upper mount cover fastening	2	2	2	2
25151	13	Rubber Mount (lower)	2	-	-	-
25682	13	Rubber Mount (lower)	-	2	2	2
53-23721	14	Ring, retaining - lower mount	2	2	2	2
25154	15	Cover, lower mount	2	2	2	2
10-25156	12	Screw, lower mount cover fastening	2	2	2	2
20715	16	Cam, lower - reverse lock	1	1	1	1
10-20716	17	Screw, set - reverse cam lock	1	1	1	1
20717	18	Cam, upper - reverse lock	1	1	1	1
11-25594	20	Nut, gear housing to drive shaft housing stud	2	2	2	2
20746	21	Plate, water tube	1	1	1	1
12-23619	22	Washer, thrust - swivel pin	2	2	-	-
12-26156	22	Washer, thrust - swivel pin	-	-	2	2

NOTE: 1520-842A1 Drive Shaft Housing Assembly previously used on early models, is no longer available. For replacement, order 1527-1157A1 Drive Shaft Housing Assembly which includes 1526-974 Saddle.

Mark 25L & Mark 25EL (5" Longer Lower Unit)

1523-972A1	1	Drive Shaft Housing Assembly	1
25-20633	2	"O" Ring	1
32-25050	3	Tube, water inlet	1
16-23659	4	Stud, drive shaft housing to gear housing	1
1526-974	8	Saddle	1

GEAR HOUSING AND PROPELLER

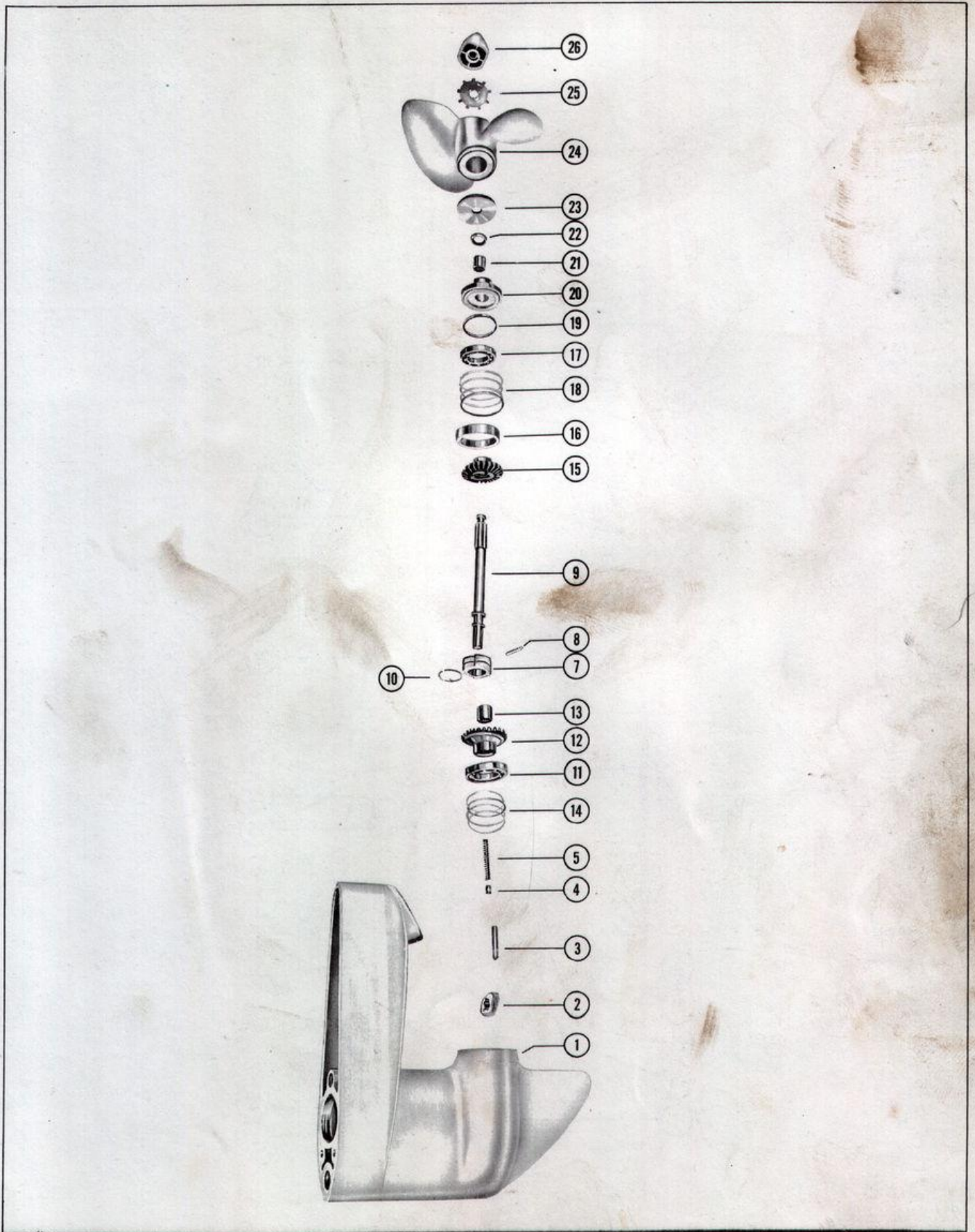
PART NO.	REF. NO.	DESCRIPTION	MK25-25E	MK25-25E	MK25	MK25
				-1	-2	-3
1602-994A11	1	Gear Housing Assembly, Complete	1	-	-	-
1602-994A12	1	Gear Housing Assembly, Complete	-	1	1	1
20794	2	Cam, shift	1	1	1	1
20818	3	Cam Follower	1	1	1	1
20255	4	Slide, cross pin	1	1	1	1
24-20254	5	Spring, cam follower pin	1	1	1	1
12-20817	6	Washer, thrust (.170 .175 .180)	2	2	2	2
52-25609	7	Clutch, sliding	1	1	1	1
17-20819	8	Pin, cross	1	1	1	1
44-20828	9	Shaft, propeller	1	1	1	1
53-20820	10	Ring, retaining - cross pin	1	1	1	1
43-20976A1	--	Forward Gear Assembly, Complete	1	1	1	1
30-25398	11	Bearing, ball - forward gear	1	1	1	1
43-20976	12	Gear Assembly, forward	1	1	1	1
31-20069	13	Bearing, roller - forward gear	1	1	1	1
15-20788	14	Shim, ball bearing to gear housing (.002-3-5-10)	AR	AR	AR	AR
43-20977A1	--	Reverse Gear Assembly, Complete	1	1	1	1
43-20977	15	Gear Assembly, reverse	1	1	1	1
20823	16	Ring, adaptor - ball bearing	1	1	1	1
30-20824	17	Bearing, ball - reverse gear	1	1	1	1
15-20822	--	Shim, ball bearing to gear (.002-3-5-10)	AR	AR	AR	AR
15-24592	18	Shim, ball bearing to adaptor ring (.002-3-5-10)	AR	AR	AR	AR
25-20826	19	Ring, sealing (rubber)	1	1	1	1
20825A2	20	Sealing Ring Assembly	1	1	1	1
31-20069	21	Bearing, roller	1	1	1	1
26-20070	22	Oil Seal (1" O. D.)	1	-	-	-
26-25431	22	Oil Seal (1 1/8" O. D.)	-	1	1	1
20827	23	Cover, gear housing	1	1	1	1
48-23647A1	24	*Propeller Assembly	1	1	1	1
48-25551A1	--	*Propeller Assembly (heavy-duty bronze)	1	1	1	1
12-20750	--	Washer, backing	1	1	1	1
14-20749	25	Tab Washer	1	1	1	1
20950A1	26	Nut, propeller	1	1	1	1

* See Section III, Page 19 of Master Service Manual for other propeller recommendations.

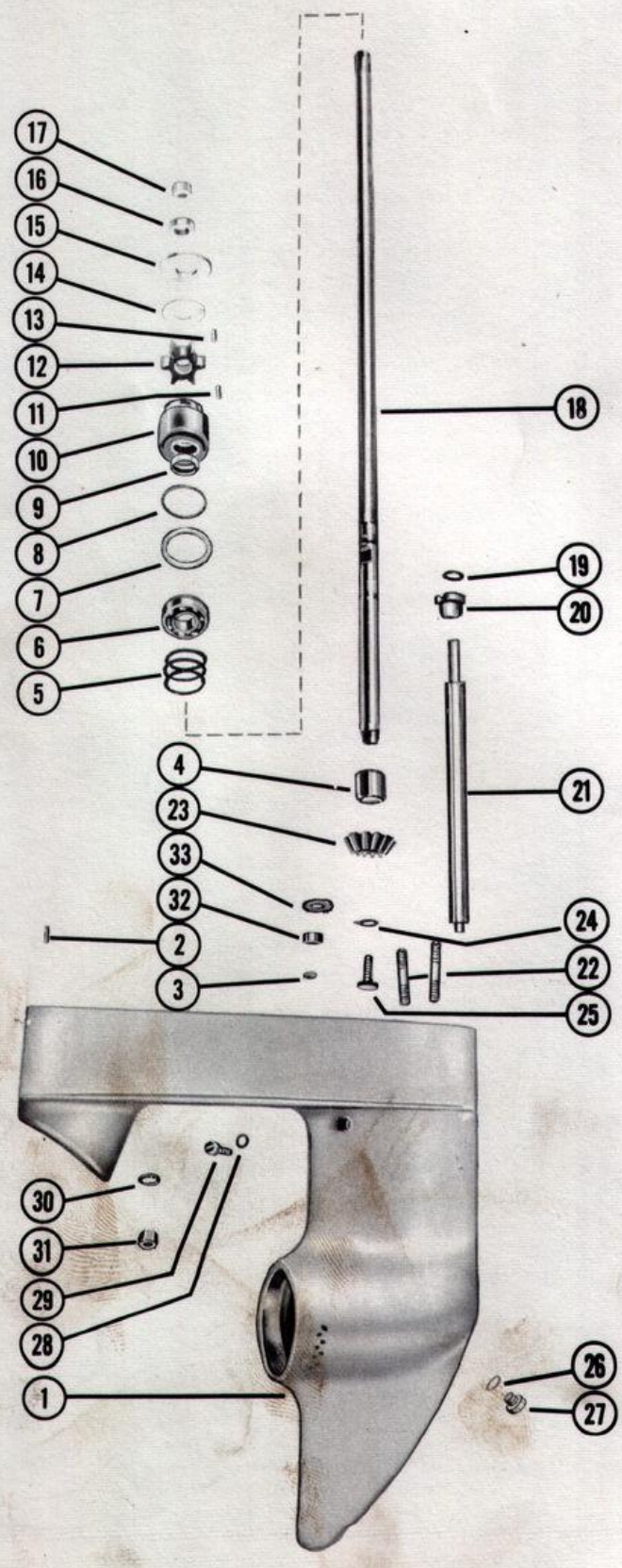
NOTE: Spiral Gears used on Mark 25 engines, Serial #865518 to 873718 inclusive, and on Mark 25E engines, Serial #878307 to 881191 inclusive, are no longer available.

NOTE: 20825A1 Sealing Ring Assembly is no longer available. For replacement, order 20825A2 Sealing Ring Assembly.

GEAR HOUSING AND PROPELLER



GEAR HOUSING AND DRIVESHAFT



GEAR HOUSING AND DRIVE SHAFT

PART NO.	REF. NO.	DESCRIPTION	MK25-25E	MK25-25E	MK25	MK25
				-1	-2	-3
1602-994A11	-	Gear Housing Assembly, Complete	1	-	-	-
1602-994A12	-	Gear Housing Assembly, Complete	-	1	1	1
1602-994A5	1	Gear Housing Assembly	1	1	1	1
17-20032	2	Dowel, Locating	1	1	1	1
19-20791	3	Welch Plug	1	1	1	1
31-20790	4	Bearing, roller - drive shaft	1	1	1	1
16-20991	22	Stud, gear housing	2	2	2	2
15-20804	5	Shim, bearing to gear housing (.002-3-5-10)	AR	AR	AR	AR
30-20802	6	Bearing, ball - drive shaft	1	1	1	1
12-20808	7	"L" Washer, water pump cartridge	1	1	1	1
25-20812	8	Ring, rubber - sealing	1	1	1	1
46-20809A2	10	Water Pump Cartridge Assembly	1	1	1	1
26-20070	9	Oil Seal	1	1	1	1
20810	--	Plate, bottom	1	1	1	1
20811	--	Sleeve, water pump	1	1	1	1
17-20265	11	Pin, water pump cartridge	1	1	-*	-*
47-20813	12	Impeller, water pump	1	1	1	1
17-23733	13	Pin, impeller drive	1	1	1	1
20815	14	Plate, outlet	1	1	1	1
20816A1	15	Water Pump Cover Assembly	1	1	1	1
26-20070	16	Oil Seal	1	1	1	1
12-20684	17	Slinger, centrifugal	1	1	1	1
45-23730	18	Drive Shaft	1	1	1	1
23-20796A1	20	Shift Shaft Bushing Assembly	1	-	-	-
23-25775A1	20	Shift Shaft Bushing Assembly	-	1	1	1
26-20236	19	Oil Seal	1	-	-	-
26-25776	19	Oil Seal	-	1	1	1
20795	21	Shaft, shift - lower half	1	1	1	1
43-20805	23	Gear, pinion	1	1	1	1
14-20806	24	Tab Washer, pinion gear	1	1	1	1
10-20807	25	Screw, pinion gear retaining	1	1	1	1
12-20260	26	Washer, grease filler and flushing hole screw	1	1	1	2
10-28634	27	Screw, grease filler and flushing hole	1	1	1	2
12-20262	28	Washer, gear housing vent screw	1	1	1	1
10-28653	29	Screw, gear housing vent	1	1	1	1
12-20553	30	Washer, drive shaft housing stud	1	1	1	1
11-25269	31	Nut, drive shaft housing stud	1	1	1	1
12-20683	32	Washer, water tube seal	1	1	1	1
12-20684	33	Seal, rubber - water tube	1	1	1	1

* On later engines, pin is cast into gear housing.

Mark 25L & Mark 25EL (5" Longer Lower Unit)

45-25048	--	Drive Shaft	1
25077A1	--	Shift Shaft Assembly, lower extension	1
38-25079	--	Serial Plate	1

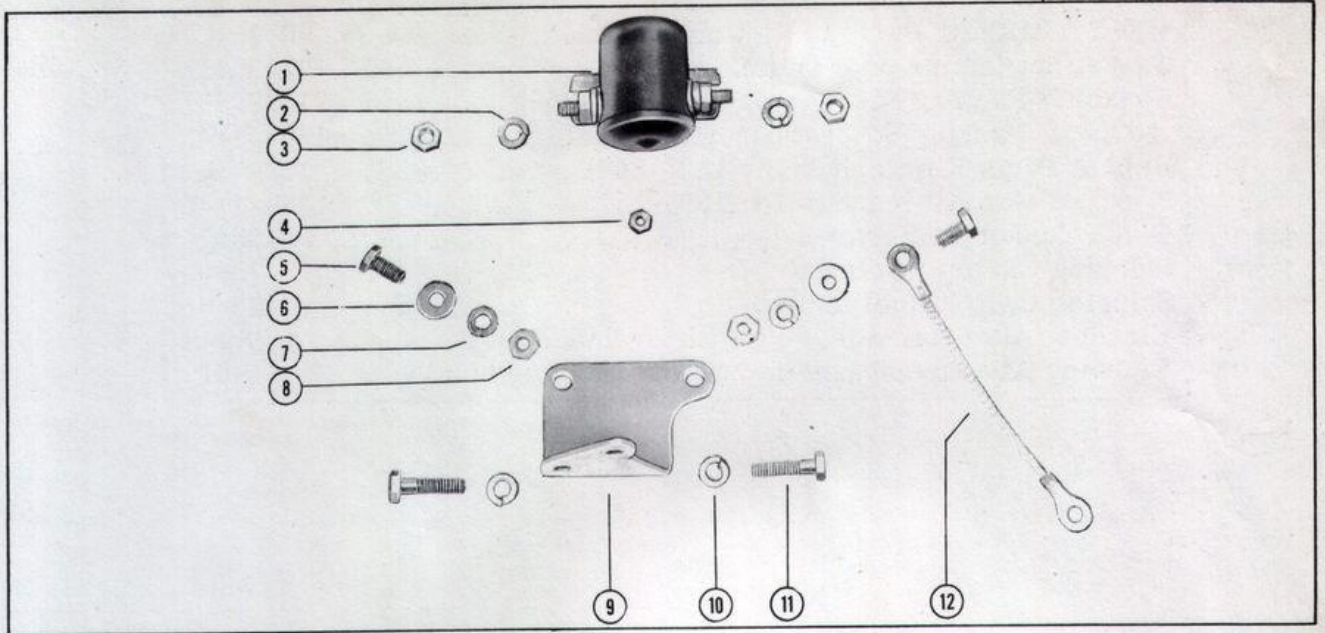
ELECTRIC STARTER SOLENOID

PART NO.	REF. NO.	DESCRIPTION	MK25E	MK25E -1
25215	1	Solenoid, starter	1	-
25661	-	Solenoid, starter	-	1
13-20223	2	Lockwasher, solenoid terminal	2	2
11-21929	3	Nut, solenoid terminal	2	2
11-20645	4	Nut, solenoid terminal	1	1
10-20776	5	Screw, starter solenoid to bracket	2	2
12-20533	6	Washer, starter solenoid screw	2	2
13-20147	7	Lockwasher, starter solenoid screw	2	2
11-21825	8	Nut, starter solenoid screw	2	2
23875	9	Bracket, starter solenoid	1	1
13-20147	10	Lockwasher, bracket screw	2	2
10-28667	11	Screw, bracket to cylinder block cover	2	2
24834A1	12	Ground Strap Assembly	1	1

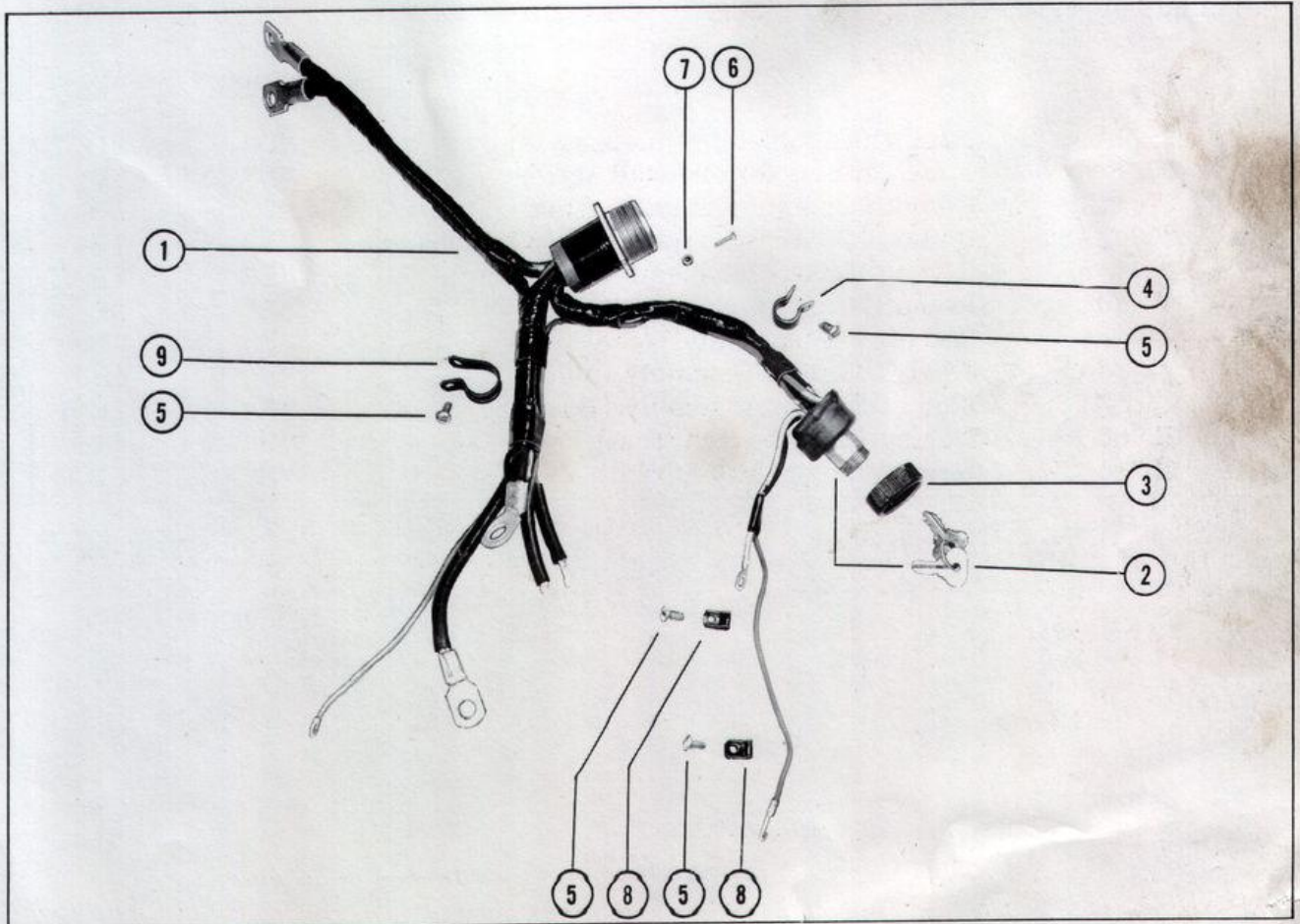
ELECTRIC WIRING HARNESS (INTERNAL)

PART NO.	REF. NO.	DESCRIPTION	MK25E	MK25E -1
23929	1	Wiring Harness (internal)	1	-
25505	1	Wiring Harness (internal)	-	1
25105	2	Switch, starter	1	1
25304	-	Key, starter switch (# _____)	2	2
22628	3	Bezel, starter switch	1	1
54-25261	4	Clip, cable - starter lead	1	1
10-25236	5	Screw, cable clip to cowl	1	1
10-24831	6	Screw, cannon plug to cowl	4	4
11-24832	7	Nut, cannon plug screw	4	4
54-25231	8	Clip, cable - choke wire	2	2
10-25236	5	Screw, cable clip to cowl	2	2
54-24871	9	Clip, cable - wiring harness to cowl	1	1
10-25236	5	Screw, cable clip to cowl	1	1

ELECTRIC STARTER SOLENOID



ELECTRIC WIRING HARNESS (INTERNAL)



ACCESSORIES

MK25 & MK25E Parts List, Complete	90-25402
Gasket Set (motor overhaul)	27-25111
Gasket & Packing Set (carburetor 1326-869)	1399-961
Gasket & Packing Set (carburetor 1326-1119)	1399-1145
Repair Parts Kit (carburetor 1326-869)	1399-962
Repair Parts Kit (carburetor 1326-1119)	1399-1146
Glue (blanket adhesive)	92-25234
Shipping Carton (engine)	23909
Shipping Carton (fuel tank)	25463
Flushing Attachment (engine with flushing hole)	24789A1
Flushing Attachment (engine without flushing hole)	24011

REMOTE CONTROLS, STARTER MOTORS AND FUEL TANKS

For reference to Remote Controls, Starter Motors, Fuel Tanks, Etc. not shown in this parts list, please refer to your Accessory Parts List on the pages as indicated below:

		<u>Section</u>	<u>Page</u>
1225-1529A1	Fuel Tank Assembly (new style)	"D"	8D
1201-36A8	Fuel Tank Assembly (old style)	"D"	7D
20015-___S	Remote Control Cable Assembly	"B"	1B
20002A34	Remote Control Housing Ass'y (standard)	"B"	1B
25714A___	Remote Control Assembly (electric)	"B"	5B
25560	Remote Control Parts Kit	"B"	2B
-----	Starter Mechanism	"E"	6E
23713A1	Starter Motor Assembly (old style)	"E"	4E
(see note)	Starter Motor Assembly (Bosch)	"E"	2E
23886	Wiring Harness (external)	"B"	5B
25715	Wiring Harness (external)	"B"	5B

NOTE: 25444 Starter Motor Assembly used on Mark 25E-1 is no longer available, for replacement order 25942 Starter Motor Assembly. When ordering component parts refer to the accessory Parts List of your Parts Manual, Section "E", Page 2E.