

MARK 30H AND MARK 55H

PARTS LIST

SERIAL NUMBERS:

Mark 30H.	997920 thru 1166470
Mark 30H-1.	1166471 thru 1260724
Mark 55H.	983920 thru 997919
Mark 55H-1.	1260725 and up

INDEX:

	<u>Page</u>
Accessories	18
Bottom Cowl Assembly.	13
Carburetor Assembly (Tillotson) MK30H and MK30H-1	6
Carburetor Assembly (Carter) MK55H.	7
Carburetor Assembly (Tillotson) MK55H-1.	8
Carburetor Linkage	9
Clamp and Swivel Bracket	14
Cowl and Front Cover	2
Crankshaft, Piston and Connecting Rod	12
Cylinder Block and Crankcase Assembly.	11
Drive Shaft Housing	15
Flywheel Assembly	2
Fuel Pump and Fuel Filter	10
Fuel Tank Assembly	18
Gear Housing Assembly (MK30H)	16
Gear Housing Assembly (MK55H)	17
Inside and Outside Steering.	15
Magneto (External Parts).	3
Magneto (Internal Parts)	4 & 5
Propellers	18
Top Cowl and Starter Assembly.	1

NOTE: All parts in the Mark 30H and Mark 55H Parts List, preceded with a dot (●), are new and listed for the first time.

TOP COWL AND STARTER ASSEMBLY

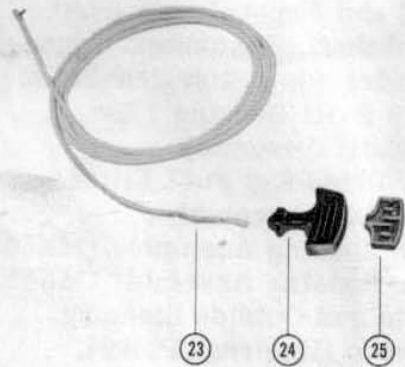
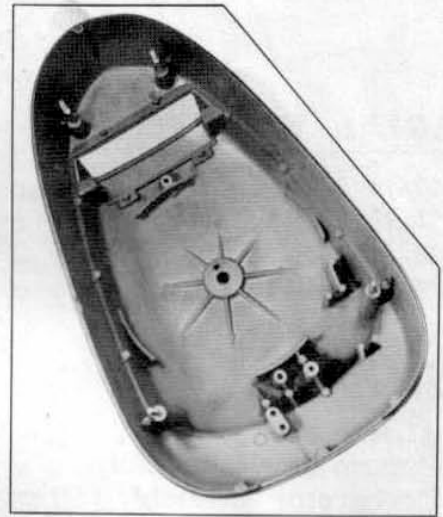
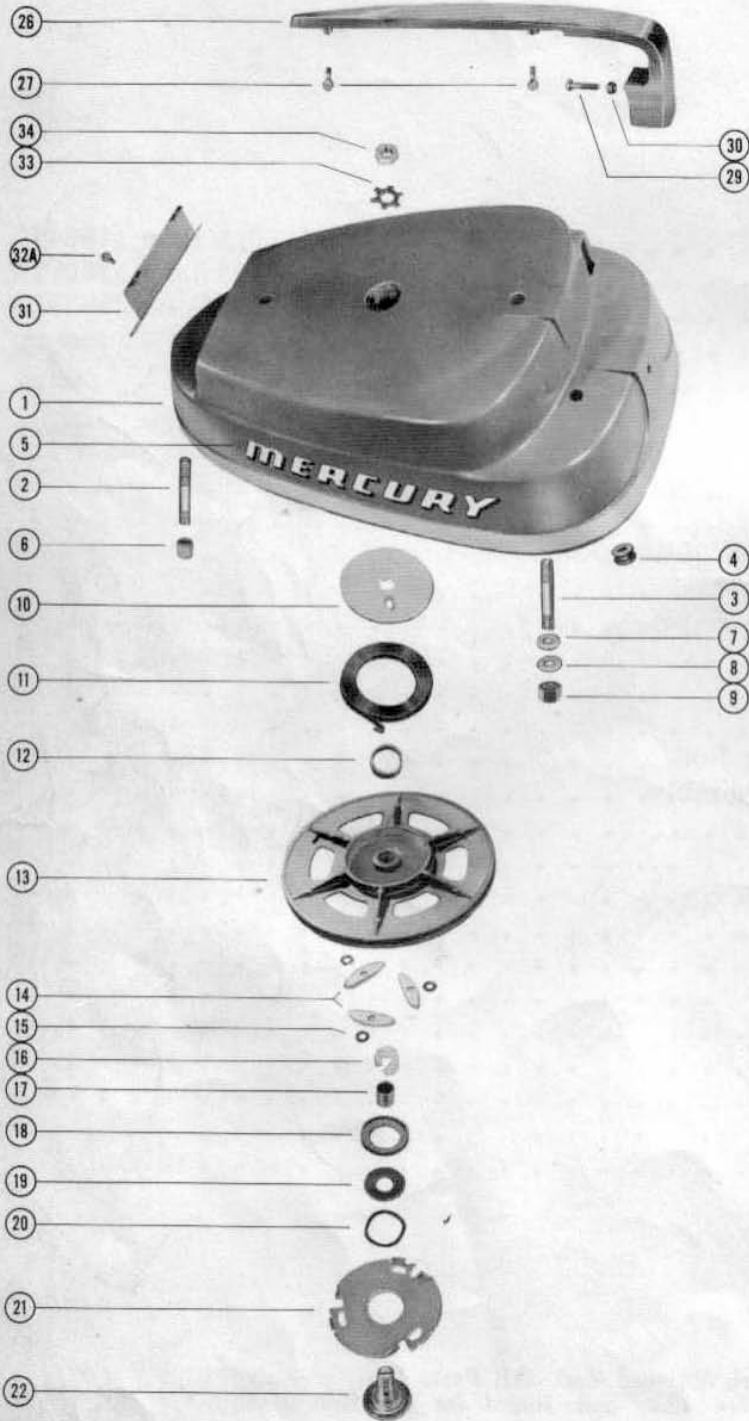
PART NO.	REF. NO.	DESCRIPTION	MK30H	MK30H -1	MK55H	MK55H -1
101-1266A2	1	Top Cowl Assembly (does not include decals)	1	1	1	-
177-1600A2	1	Top Cowl Assembly (does not include decals)	-	-	-	1
16-25734	2	Stud, rear - top cowl to cover	2	2	2	-
16-20500	2	Stud, rear - top cowl to cover	-	-	-	2
16-20990	3	Stud, front - top cowl to crankcase	2	2	2	-
16-20353	3	Stud, front - top cowl to crankcase	-	-	-	2
25-20116	4	Grommet, choke knob	1	1	1	1
37-25554	5	Decal Set, top cowl	1	-	-	-
37-28433	5	Decal Set, top cowl	-	1	-	-
37-25615	5	Decal Set, top cowl	-	-	1	-
37-28988	5	Decal Set, top cowl (colored engines)	-	-	-	1
37-28989	5	Decal Set, top cowl (white engines)	-	-	-	1
23-20326	6	Spacer, top cowl stud	2	2	2	2
12-20346	7	Washer, top cowl stud (3/4" OD)	8	8	8	4
12-20028	8	Washer, top cowl stud (1/16 thick)	12	12	12	4
12-20583	-	Washer, top cowl stud (1/32 thick)	-	-	-	4
11-20361	9	Nut, top cowl fastening	4	4	4	4
20155	10	Retainer, starter spring	1	1	1	1
24-23714	11	Spring, starter rewind	1	1	1	1
23-20159	12	Bushing, spring guide	1	1	1	-
23-28912	12	Bushing, spring guide	-	-	-	1
50-20149	13	Sheave Assembly, starter	1	1	1	-
54-28397	--	Clip, starter sheave	-	1	-	-
50-28908	13	Sheave Assembly, starter	-	-	-	1
20162	14	Pawl, starter	3	3	3	3
13-20163	15	Washer, wave - starter pawl	3	3	3	3
23-28919	16	Bushing, nylon - sheave shaft spacer	-	-	-	1
23-20158	17	Spacer, sheave shaft	1	1	1	-
23-28911	17	Spacer, sheave shaft	-	-	-	1
20161	18	Retainer, wave washer	1	-	1	-
26179	18	Retainer, wave washer <i>see note below</i>	-	1	-	1
12-26180	19	Washer, wave washer retainer	-	1	-	1
13-20160	20	Washer, wave - retainer tension	1	1	1	1
20164	21	Plate, retainer starter pawl	1	1	1	1
20157	22	Shaft, sheave	1	1	1	-
28913	22	Shaft, sheave	-	-	-	1
50-22791A1	23	Starter Cable Assembly	1	1	1	-
50-28985A1	23	Starter Cable Assembly	-	-	-	1
20662	24	Handle, starter cable (not as shown)	1	1	1	-
28747	24	Handle, starter cable	-	-	-	1
20172	25	End Cap, starter cable (not as shown)	1	1	1	-
28748	25	Retainer, starter cable and handle	-	-	-	1
20485	--	Cover, trim - top cowl	1	1	1	-
23-23072	--	Spacer, trim cover to top cowl	1	1	1	-
10-21643	--	Screw, trim cover to top cowl	1	1	1	-
28944	26	Handle, top cowl	-	-	-	1
10-29199	27	Screw, handle to top cowl	-	-	-	2
10-22421	29	Screw, handle to top cowl	-	-	-	1
11-20361	30	Nut, handle fastening screw	-	-	-	1
28967	31	Screen, vent - top cowl	-	-	-	1
10-29221	32A	Screw, vent screen to top cowl	-	-	-	4
14-20165	33	Tab Washer, sheave shaft nut	1	1	1	1
11-20166	34	Nut, sheave shaft (left hand thread)	1	1	1	1

NOTE: When replacing 50-20149 Sheave Assembly on above models be sure and check inside diameter of lower half of starter sheave. Old style had an I.D. of 1 1/16 inches and new style the I.D. was enlarged to 2 1/8 inches. Therefore check chart below and use corresponding parts as so:

50-20149 Sheave Assembly

1 1/16" inside diameter	2 1/8" inside diameter
Use: 20161 Retainer	Use: 26179 Retainer 12-26180 Washer

TOP COWL AND STARTER ASSEMBLY



COWL AND FRONT COVER

PART NO.	REF. NO.	DESCRIPTION	MK30H	MK30H	MK55H	MK55H
				-1		-1
155-1029A2	1	Cowl Front Cover Assembly (see note (1) below)	1	-	-	-
155-1028A2	2	Cowl Front Cover Assembly	-	-	1	-
20721	-	Bumper, rubber - front cover	4	-	4	-
10-25619	3	Screw, cowl cover fastening	1	-	1	-
12-23537	4	Washer, cover screw (N.L.A.--order 12-26162)	1	-	1	-
25460	5	Emblem, front cover	1	-	-	-
23083	6	Emblem, front cover	-	-	1	-
18-21069	7	Cotter Pin, cover fastening screw	1	-	1	-
10-20031	8	Screw, emblem to front cover	1	-	1	-
12-20346	9	Washer, emblem screw	1	-	1	-
155-1029A3	-	Cowl Front Cover Assembly	-	1	-	-
●175-1610A2	-	Cowl Front Cover Assembly	-	-	-	1
26183A	-	Emblem, cowl front cover (see note (2) below)	-	1	-	1
20721	-	Bumper, rubber - front cover (lower)	-	2	-	4
26901	-	Bumper, rubber - front cover (upper)	-	2	-	2
10-25619	3	Screw, cowl cover fastening	-	1	-	1
12-26162	-	Washer, cover screw (nylon)	-	2	-	1
12-27897	-	Washer, cover screw (nylon)	-	1	-	1
107-1015A1	10	Cowl Wrap Around Assembly	1	1	1	1
N. S. S.	11	Hinge, cowl latch to cowl rod	4	4	4	4
21060	12	Handle, cowl latch	2	2	2	2
53-21058	13	"E" Ring, cowl latch hinge pin	4	4	4	4
17-21057	14	Pin, hinge - cowl latch handle	4	4	4	4
25690	15	Swivel, cowl latch	2	2	2	2
25691	16	Hook, cowl latch fastening	2	2	2	2

NOTE (1): 155-1029A2 Cowl Front Cover Assembly is no longer available, for replacement of complete front cover order 155-1029A3.

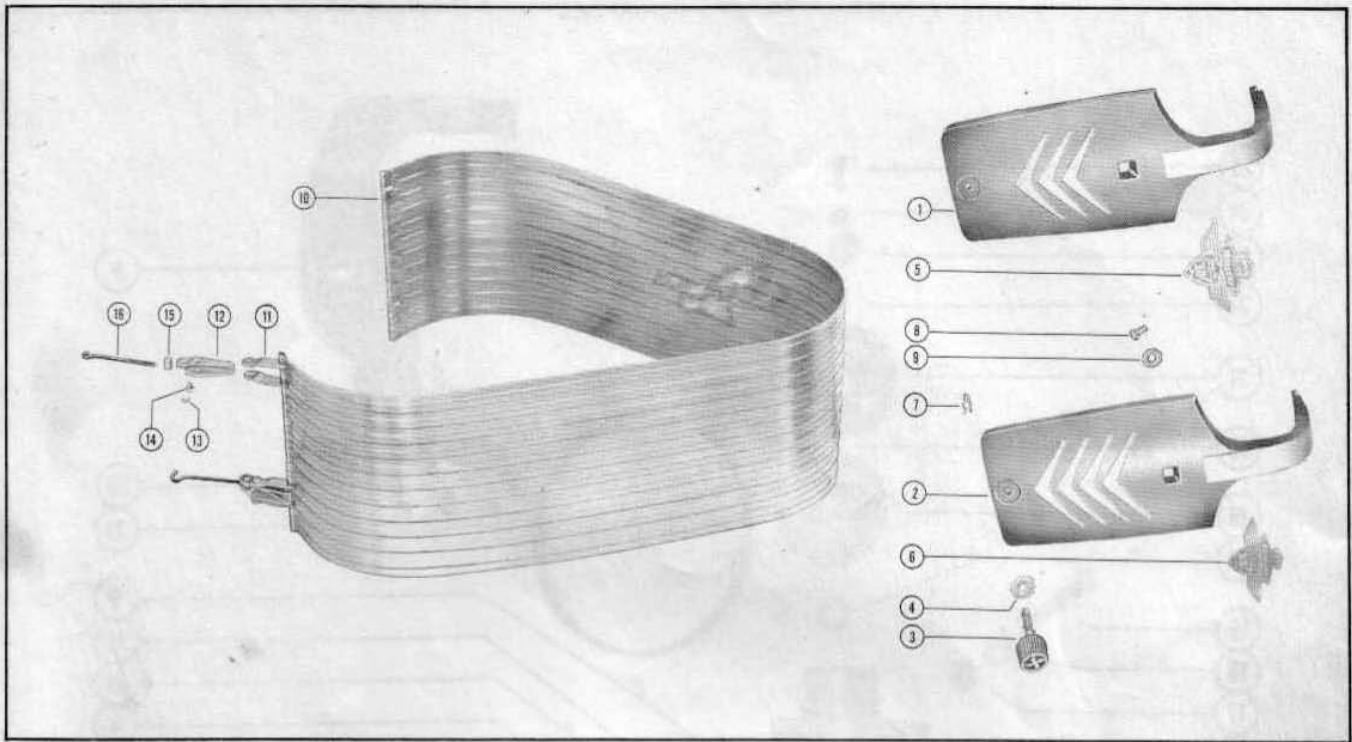
NOTE (2): Emblems for replacement may be ordered in two (2) different color combinations as listed below. Be sure and specify color combination required by adding A1 or A2 suffix to emblem part number 26183:

- 26183A1 Emblem (black background with red and aluminum lettering)
- 26183A2 Emblem (aluminum background with red and gold lettering)
- 92-27109 Adhesive Compound (3½ ounce kit) emblem fastening

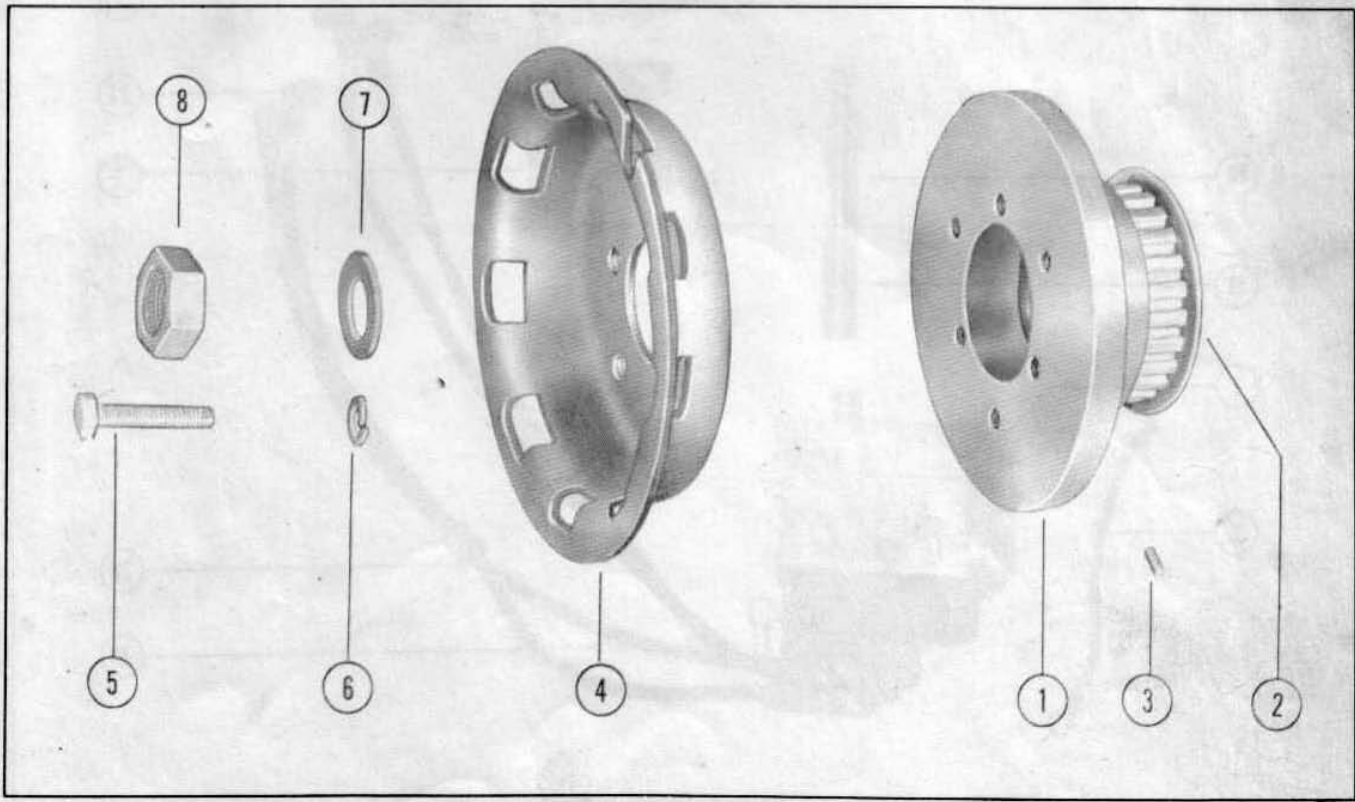
FLYWHEEL ASSEMBLY

PART NO.	REF. NO.	DESCRIPTION	MK30H	MK30H	MK55H	MK55H
				-1		-1
209-1093A2	1	Flywheel Assembly (small taper)	1	-	1	-
209-1491A2	1	Flywheel Assembly (large taper)	-	1	-	1
22823	2	Pulley, flywheel	1	1	1	1
17-20392	3	Dowel Pin, pulley to flywheel	1	-	1	-
17-26618	3	Dowel Pin, pulley to flywheel	-	1	-	1
20144	4	Plate, auxiliary starter	1	1	1	1
10-20031	5	Screw, auxiliary plate to flywheel	3	3	3	-
10-28709	5	Screw, auxiliary plate to flywheel	-	-	-	3
13-26992	6	Lockwasher, auxiliary plate screw	3	3	3	-
12-20143	7	Washer, flywheel nut	1	-	1	-
12-26617	7	Washer, flywheel nut	-	1	-	1
11-22339	8	Nut, flywheel	1	1	1	1
28-20661	-	Key, flywheel drive (3/4" dia x 3/16" thick)	1	-	1	-
28-20094	-	Key, flywheel drive (1/2" dia x 1/8" thick)	-	1	-	1

COWL AND FRONT COVER



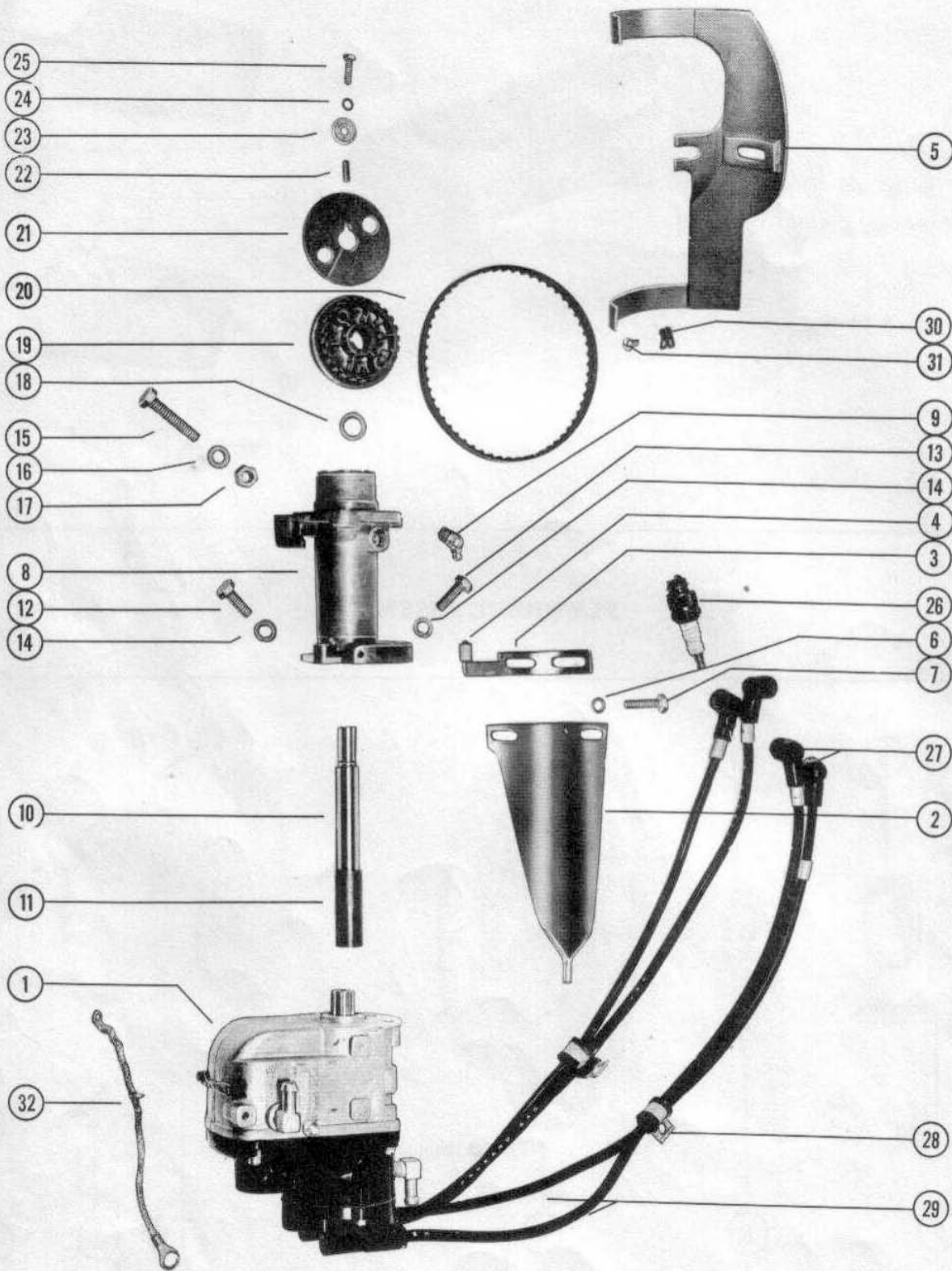
FLYWHEEL ASSEMBLY



MAGNETO (EXTERNAL PARTS)

PART NO.	REF. NO.	DESCRIPTION	MK30H	MK30H -1	MK55H	MK55H -1
322-872	1	Magneto Assembly, Complete (FM-XV4B70E)	1	-	1	-
394-1069A2	-	Magneto Assembly, Complete (4D-2)	-	1	-	1
26580	2	Bracket, magneto actuating	1	1	1	1
23603A1	3	Bracket Assembly, carburetor actuating	1	1	-	1
23-23601	4	Sleeve, nylon	1	1	-	1
26009A1	5	Throttle Actuator Assembly	-	-	1	-
12-21249	6	Washer, actuating bracket screw	3	3	3	3
10-20146	7	Screw, actuating brackets to magneto pilot	3	3	2	3
10-20474	7	Screw, actuating brackets to magneto pilot	-	-	1	-
24794A1	8	Magneto Adaptor Assembly, Complete	1	1	1	1
22-25094	9	Fitting, grease	1	1	1	1
45-24808A1	10	Shaft Assembly, magneto drive	1	-	1	-
24791	11	Coupling, drive shaft	1	-	1	-
45-26812	10	Shaft, magneto drive	-	1	-	1
10-28668	12	Screw, magneto adaptor to magneto (7/8)	3	3	3	3
10-20146	13	Screw, magneto adaptor to magneto (5/8)	1	1	1	1
13-26992	14	Lockwasher, magneto adaptor screw	4	4	4	4
10-22040	15	Screw, magneto adaptor to crankcase	3	3	3	3
12-20084	16	Washer, magneto adaptor screw	3	3	3	3
11-20083	17	Nut, magneto adaptor screw	3	3	3	3
12-25193	18	Spacer, magneto timing pulley	1	1	1	1
24807	19	Pulley, driven	1	1	1	1
20140	20	Belt, timing	1	1	1	1
20136	21	Flange, driven pulley	1	1	1	1
28-28657	22	Key, magneto driving	1	1	1	1
12-20138	23	Washer, pulley clamping screw	1	1	1	1
13-26996	24	Lockwasher, pulley clamping screw	1	1	1	1
10-20139	25	Screw, pulley clamping	1	1	1	1
33-20982	26	Spark Plug	4	4	4	4
20119	27	Protector, spark plug	4	4	4	4
54-20534	28	Clip, high tension lead to cylinder block	2	2	2	2
23564	29	Cable, high tension lead	4	4	4	4
25-25429	--	"O" Ring, high tension lead cable	4	4	4	4
54-25231	30	Clip, nylon cable to magneto	1	1	1	1
10-25256	31	Screw, nylon cable clip to magneto	1	1	1	-
10-20401	31	Screw, nylon cable clip to magneto	-	-	-	1
22789	--	"D" Washer, cable clip screw	-	-	-	1
394-1134A1	32	Ground Strap Assembly, magneto	1	1	1	1

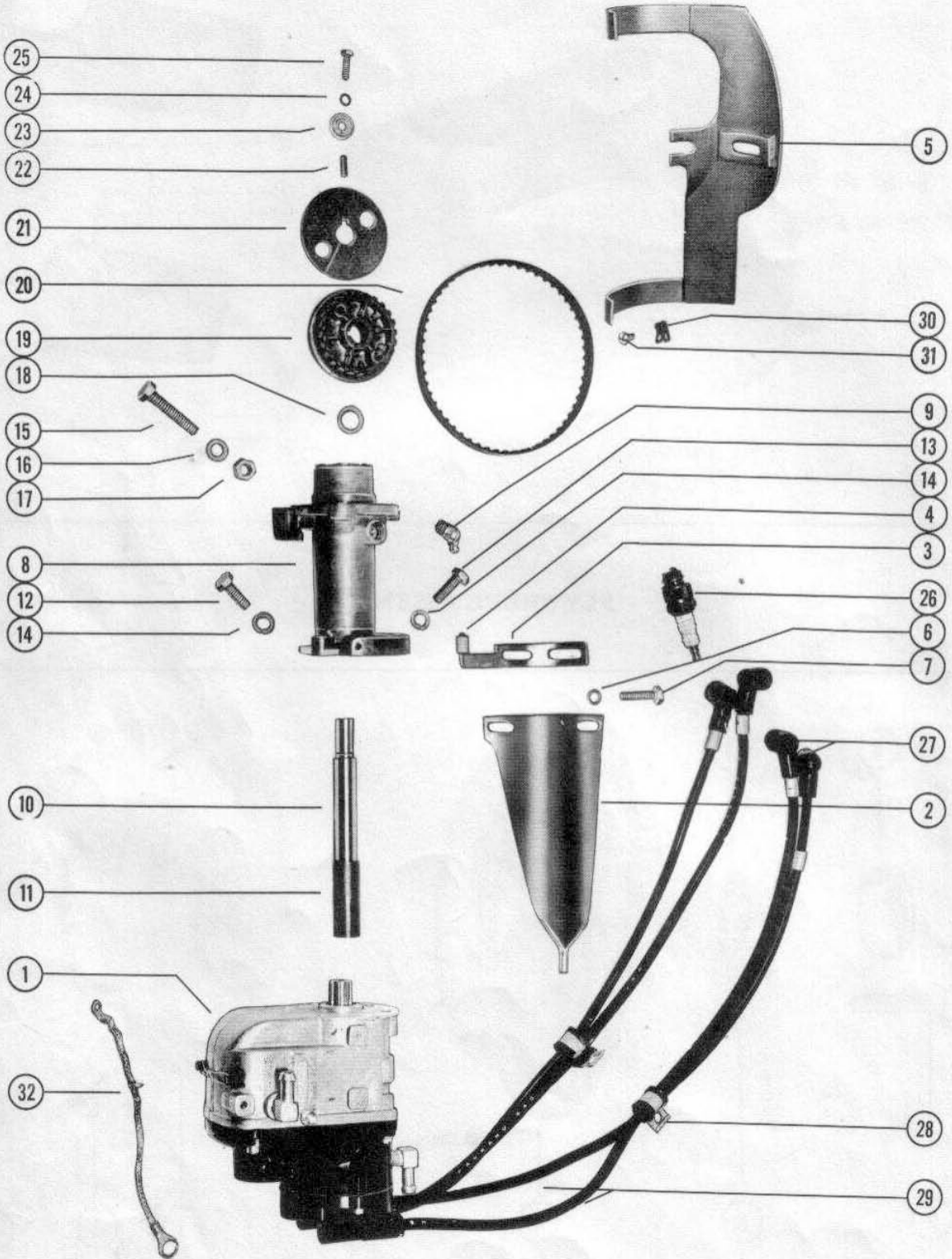
MAGNETO (EXTERNAL PARTS)



MAGNETO (INTERNAL PARTS)

PART NO.	REF. NO.	DESCRIPTION	MK30H	MK55H
322-872	-	Magneto Assembly, Complete (FM-XV4B70E)	1	1
397-903	1	Frame	1	1
30-24998	3	Bearing, ball (drive end)	1	1
397-907	4	Magnetic Rotor and Shaft	1	1
30-24997	5	Bearing, ball - rotor (opp. drive end)	1	1
397-918	6	Support, bearing	1	1
10-25509	7	Screw, bearing support	4	4
10-25510	8	Screw, set - coil bridge	2	2
394-1051	-	Lockwire, coil bridge set screw	1	1
22-20781	9	Elbow, magneto frame to vent tube	1	1
10-24090	10	Screw, primary ground	1	1
394-1052	11	Wire, primary ground switch	1	1
397-371	12	Insulator, primary ground terminal	1	1
23-25512	--	Bushing, primary ground terminal insulator	1	1
12-25719	13	Washer, insulating - primary ground switch	2	2
12-20192	14	Washer, primary ground screw	2	2
13-20193	15	Lockwasher, primary ground screw	1	1
11-21923	16	Nut, primary ground terminal	2	2
397-430	17	Coil, ignition	1	1
394-1050	18	Clip, coil	1	1
13-23836	--	Lockwasher, coil clip nut	1	1
11-24994	19	Nut, coil clip	1	1
394-1130	20	Condenser	1	1
10-25509	21	Screw, condenser mounting	1	1
397-355	22	Cam Wick and Holder	1	1
394-1100A2	23	Breaker Arm Assembly	1	1
10-24977	24	Screw, binding head	1	1
10-24980	25	Screw, contact support locking	1	1
13-22542	--	Lockwasher, contact support locking screw	1	1
12-20192	--	Washer, contact support locking screw	1	1
10-22541	26	Screw, breaker arm terminal	1	1
13-20378	--	Lockwasher, breaker arm terminal screw	1	1
18-25723	27	Cotter Pin (hair) bracket arm	1	1
27-22551	28	Gasket, end cap to frame	1	1
397-429	29	End Cap	1	1
10-25513	30	Screw and Lockwasher, end cap	4	4
22-25885	31	Elbow, plastic - end cap to vent line	1	1
397-913	32	Rotor, distributor	1	1
27-22536	34	Gasket, end cap cover	1	1
397-360	35	Brush and Spring, coil lead	1	1
394-1065A1	36	Lead, high tension (distributor)	1	1
397-1006	37	Cover, end cap	1	1
10-25517	--	Screw, high tension cable fastening	4	4
10-22537	38	Screw, end cap cover	2	2

MAGNETO (EXTERNAL PARTS)

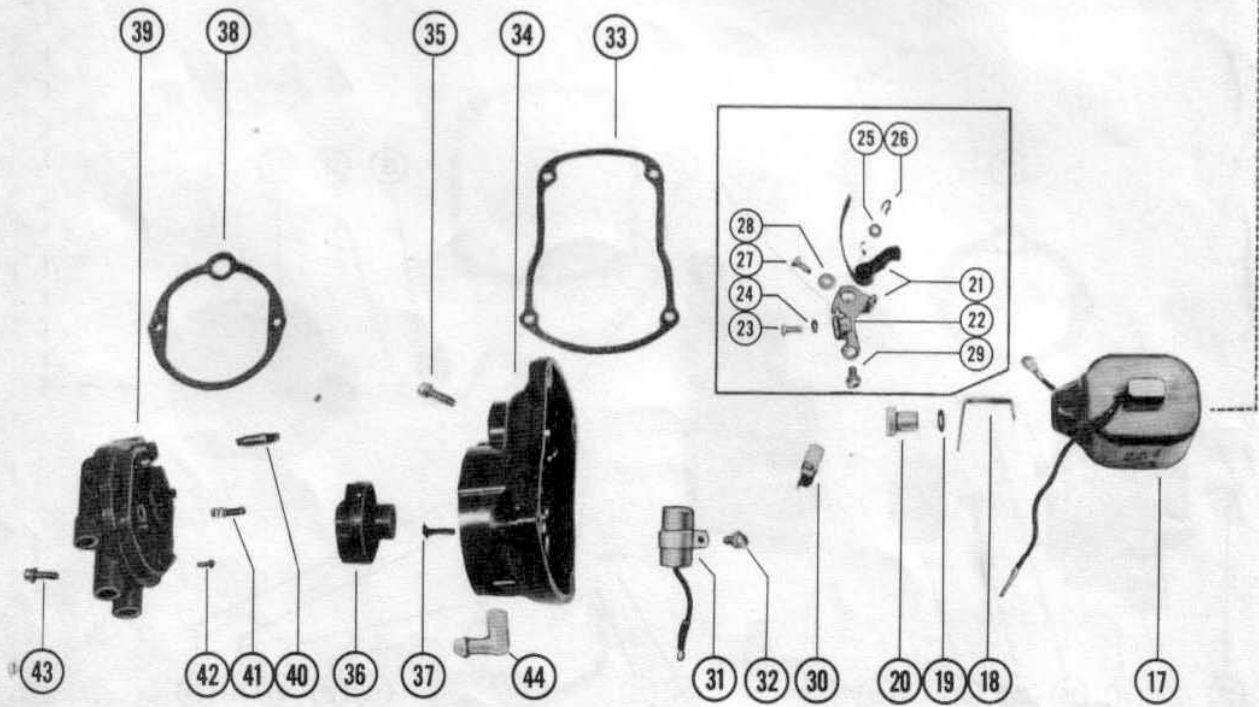
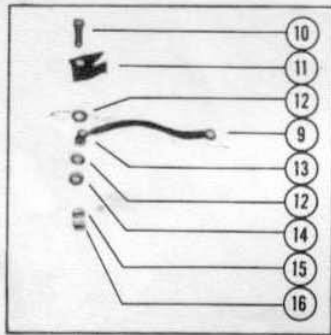
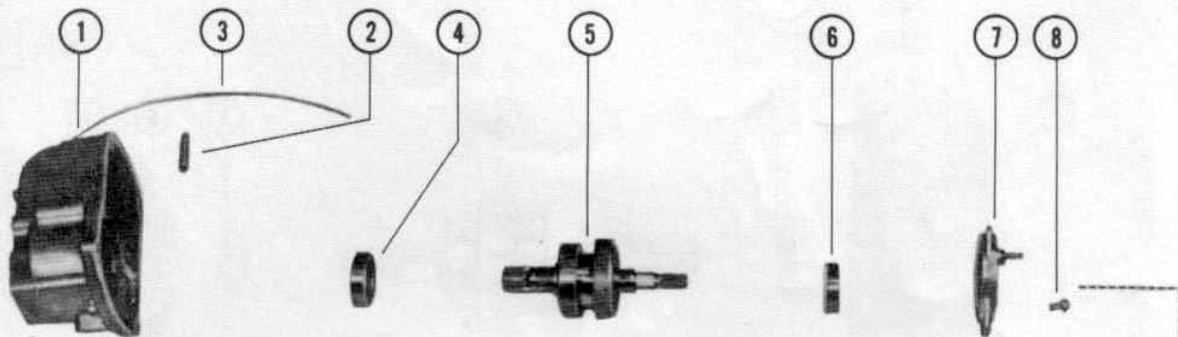


MAGNETO ASSEMBLY (INTERNAL PARTS)

PART NO.	REF. NO.	DESCRIPTION	MK30H	MK55H
			-1	-1
394-1069A1	-	Magneto Assembly, Complete (4D-1) <i>see note below</i>	1	-
●394-1069A2	-	Magneto Assembly, Complete (4D-2)	-	1
394-1066	1	Frame, magneto housing	1	-
●394-1570	1	Frame, magneto housing	-	1
10-25510	2	Screw, set - coil bridge	2	2
394-1051	3	Lockwire, coil bridge set screw	1	1
30-24998	4	Bearing, ball (drive end)	1	1
394-1067	5	Magnetic Rotor and Shaft	1	1
30-24997	6	Bearing, ball (opposite drive end)	1	1
394-1068	7	Support, ball bearing	1	1
10-25509	8	Screw and Lockwasher, support to frame	3	3
394-1052	9	Wire, primary ground lead	1	-
●394-1053A1	9	Wire Assembly, primary ground lead	-	1
10-24609	10	Screw, primary ground (#8)	1	-
●10-29182	10	Screw, primary ground (#10)	-	1
394-1055	11	Insulator, primary ground terminal	1	-
●394-1579	11	Insulator, primary ground terminal	-	1
12-25719	12	Washer, insulating - primary ground screw	2	-
●12-29099	12	Washer, insulating - primary ground screw	-	1
23-25512	13	Bushing, insulating - housing frame	1	-
●23-29101	13	Bushing, insulating - housing frame	-	1
12-20192	14	Washer, primary ground screw	1	-
12-26014	14	Washer, primary ground screw	-	1
11-28656	15	Nut, lock - primary ground screw	1	-
11-24656	15	Nut, lock - primary ground screw	-	1
11-21923	16	Nut, primary ground screw	1	-
11-20645	16	Nut, primary ground screw	-	1
394-1128A1	17	Coil Assembly	1	1
394-1050	18	Clip, coil - high tension	1	1
13-23836	19	Lockwasher, coil terminal	1	1
394-1131	20	Nut, coil clip fastening	1	1
394-1100A2	21	Breaker Assembly	1	1
394-1163	22	Grommet, plastic - breaker bracket	1	1
10-26008	23	Screw, breaker terminal	1	1
13-20378	24	Lockwasher, breaker terminal screw	1	1
394-1106A1	30	Holder and Cam Wick Assembly	1	1
12-25944	25	Washer, breaker arm	1	1
18-25723	26	Cotter Pin (hair) bracket arm	1	1
10-22032	27	Screw, bracket support	1	1
12-20192	28	Washer, bracket support screw	1	1
10-25509	29	Screw and Lockwasher, bracket locking	1	1
394-1130	31	Condenser	1	1
10-25509	32	Screw and Lockwasher, condenser fastening	1	1
27-25724	33	Gasket, magneto cover	1	-
●27-29166	33	Gasket, magneto cover	-	1
394-1057	34	Cover, magneto	1	-
●394-1577	34	Cover, magneto	-	1
10-28257	35	Screw, cover to frame	4	-
●10-29418	35	Screw, cover to frame	-	4
●14-29157	--	Tab Washer, cover fastening screw	-	4
394-1108A1	36	Magneto Rotor Assembly	1	1
394-1110	37	Clip, spring	1	1
27-25725	38	Gasket, end cap cover	1	1
394-1561A1	39	End Cap Cover Assembly	1	1
394-1065A1	40	Lead Assembly, high tension	1	1
394-1056A1	41	Brush and Spring Assembly	1	1
10-25517	42	Screw, high tension cable fastening	4	4
10-28259	43	Screw, end cap cover to magneto cover	2	-
10-29418	43	Screw, end cap cover to magneto cover	-	2
14-29157	--	Tab Washer, cover fastening screw	-	2
22-25885	44	Elbow, plastic - magneto cover vent	1	1

Note: 394-1069A1 Magneto Assembly, Complete is no longer available and is superseded by 394-1069A2. Component parts are still stocked so order replacement parts accordingly.

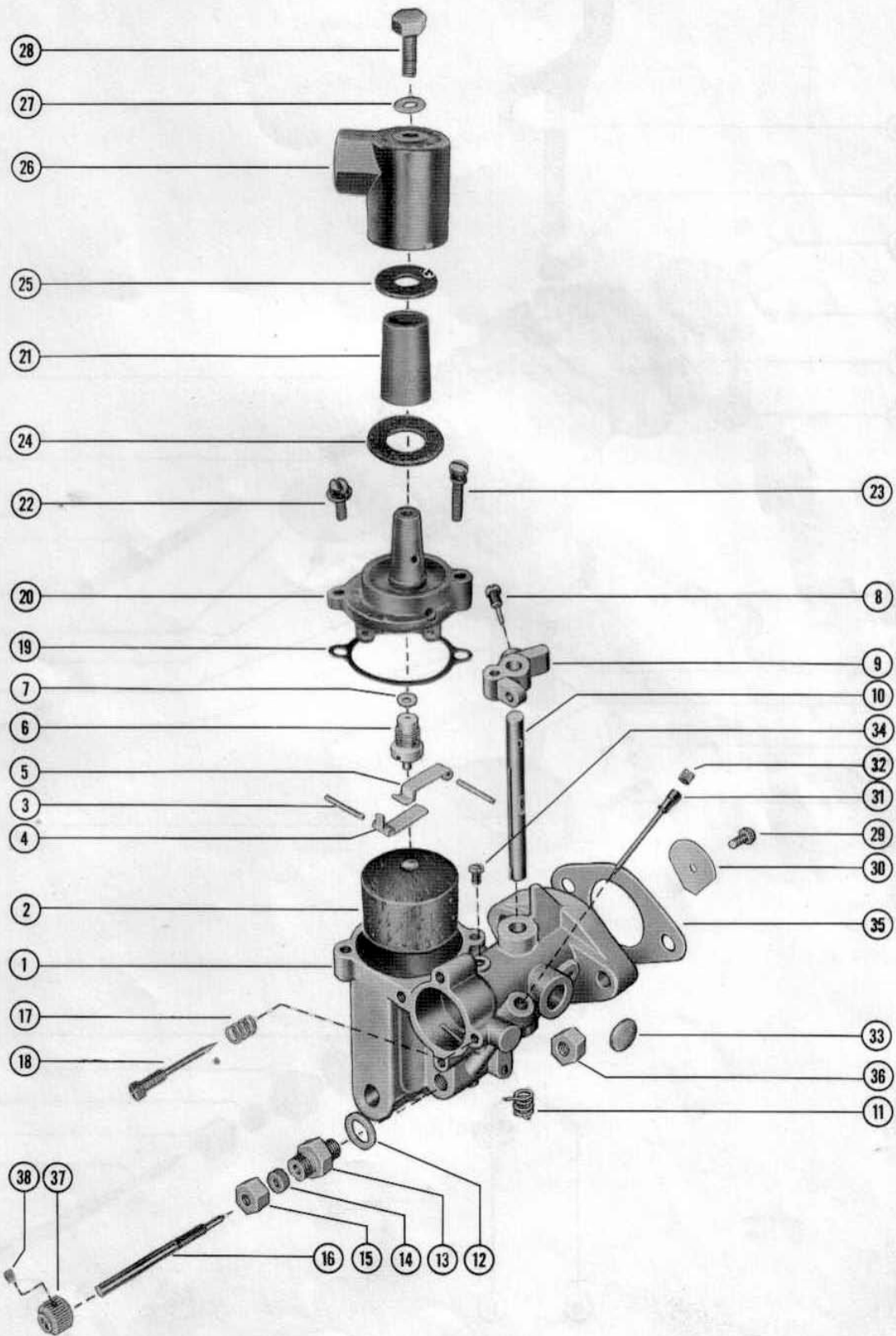
MAGNETO (INTERNAL PARTS)



CARBURETOR ASSEMBLY

PART NO.	REF. NO.	DESCRIPTION	MK30H	MK30H -1
1327-1118	1	Carburetor Assembly (Tillotson AJ-51A)	2	2
1399-110A1	2	Float Assembly	2	2
17-20853	3	Pin, float lever pinion	4	4
1399-102	4	Lever, float (lower)	2	2
1399-101	5	Lever, float (upper)	2	2
1399-1138	6	Inlet Needle, Seat & Gasket	2	2
27-25033	7	Gasket, inlet seat	2	2
10-20847	8	Screw, throttle stop lever	2	2
1399-97	9	Lever, throttle stop	2	2
1399-933	10	Shaft, throttle	2	2
24-20869	11	Spring, throttle shaft return	2	2
27-20848	12	Gasket, main adjustment screw gland	2	2
1399-94	13	Gland, main adjustment screw	2	2
1399-108	14	Packing, main adjustment screw	2	2
11-20849	15	Nut, main adjustment screw	2	2
1399-932	16	Screw, main adjustment	2	2
24-27160	17	Spring, idle adjustment screw	2	2
1399-931	18	Screw, idle adjustment	2	2
1399-99	19	Gasket, float bowl cover	2	2
1399-1133	20	Cover, float bowl	2	2
1399-1136	21	Element, filter	2	2
10-20854	22	Screw, float bowl cover (short)	2	2
10-25850	23	Screw, float bowl cover (long)	2	2
27-25851	24	Gasket, strainer cover (large)	2	2
27-25849	25	Gasket, strainer cover (small)	2	2
1399-1135	26	Cover, strainer	2	2
27-25848	27	Gasket, strainer cover screw	2	2
10-25822	28	Screw, strainer cover fastening	2	2
10-23035	29	Screw & Lockwasher, throttle shutter	2	2
1399-1036	30	Shutter, throttle	2	2
1399-960	31	Tube, by-pass	2	2
10-23030	32	Screw, plug - by-pass tube	2	2
19-20011	33	Welch Plug, body channel	2	2
10-20870	34	Screw, plug - body channel	2	2
1399-1145	--	Gasket & Packing Set	2	2
1399-1146	--	Repair Parts Kit	2	2
27-20183	35	Gasket, carburetor flange	2	2
11-20184	36	Nut, carburetor mounting stud	4	4
24823A1	37	Knob Assembly, main adjustment screw	2	2
10-22928	38	Screw, knob fastening (#10)	2	2

CARBURETOR ASSEMBLY

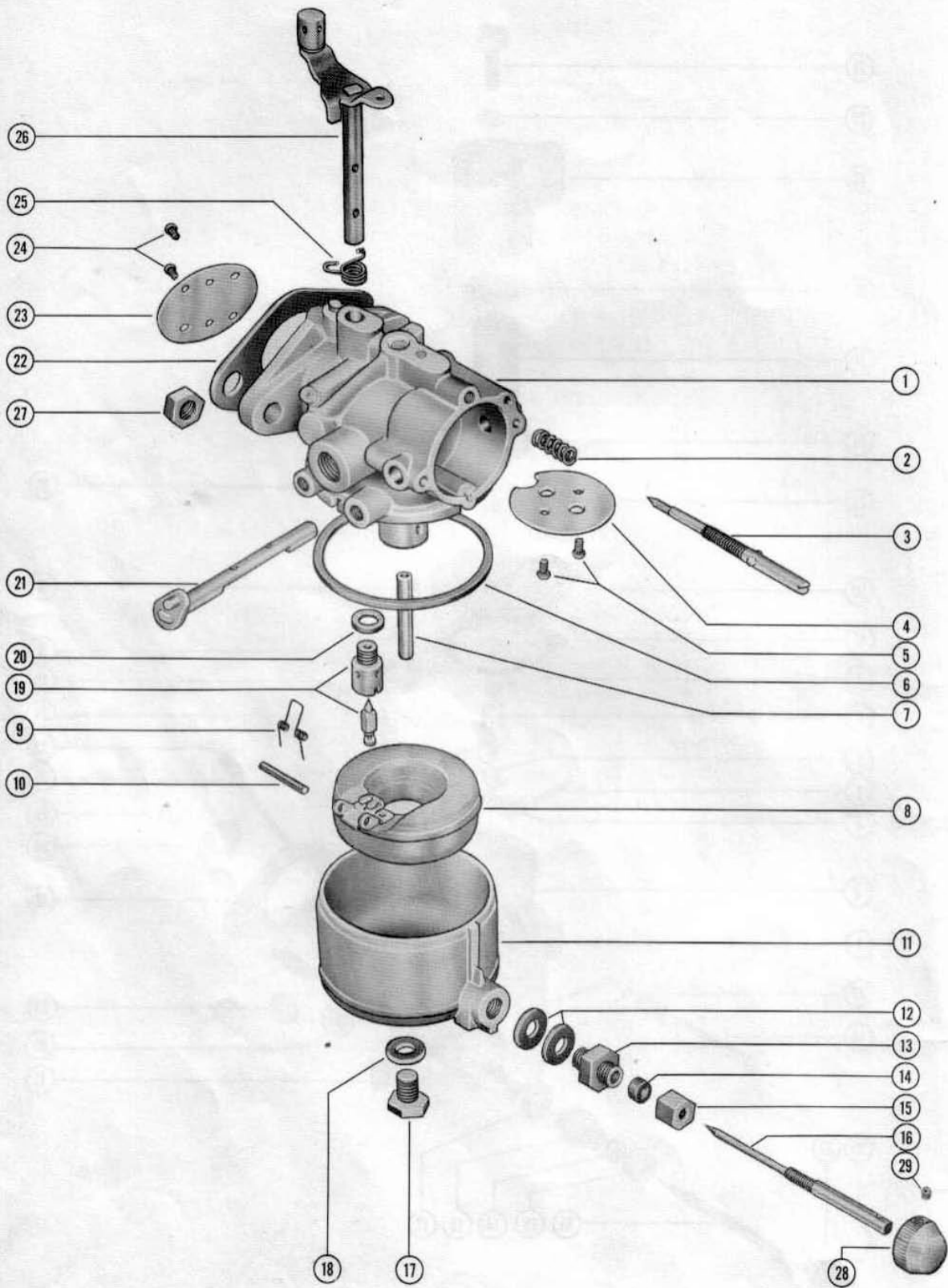


CARBURETOR ASSEMBLY

PART NO.	REF. NO.	DESCRIPTION	MK55H
1301-1143	1	Carburetor Assembly (Carter) <i>see note below</i>	2
24-21122	2	Spring, idle adjustment screw	2
1398-1175	3	Screw, idle adjustment	2
1398-159	4	Shutter, choke	2
1398-172	5	Screw, choke shutter fastening	4
1398-168	6	Gasket, bowl ring	2
1398-1169	7	Nozzle, fuel discharge	2
1398-1172	8	Float & Lever Assembly	2
24-21124	9	Spring, float	2
1398-1173	10	Pin, float lever	2
1398-167	11	Cover, float bowl	2
1398-165	12	Gasket, main adjustment screw gland	4
1398-278	13	Gland, main adjustment screw	2
1398-164	--	Gasket, packing nut	2
1398-183	14	Packing, main adjustment screw	2
11-21759	15	Nut, main adjustment screw	2
1398-1176	16	Screw, main adjustment	2
1398-1171	17	Nut, float bowl cover	2
1398-165	18	Gasket, float bowl nut	2
1398-1174	19	Inlet Needle & Seat	2
1398-163	20	Gasket, inlet needle and seat	2
1398-1170	21	Choke Lever & Shaft Assembly <i>(not as shown)</i>	2
1398-180	--	Ball, choke shaft	2
24-21121	--	Spring, choke shaft	2
19-21120	--	Welch Plug, idle passage	2
19-21119	--	Welch Plug, idle port	2
27-20478	22	Gasket, carburetor to crankcase	2
1398-157	23	Shutter, throttle	2
1398-172	24	Screw, throttle shutter fastening	4
24-21123	25	Spring, throttle return	2
1398-1168	26	Throttle Shaft & Lever Assembly <i>(not as shown)</i>	2
11-25594	27	Nut, carburetor mounting stud	4
12-20084	--	Washer, carburetor mounting stud	4
24823A1	28	Knob Assembly, main adjustment screw	2
10-22928	29	Screw, knob to main adjustment screw (#10)	2

Note: To convert previous built Mark 55H engines from Carter to Tillotson Carburetors, order 1333-1609A2 Carburetor Replacement Kit.

CARBURETOR ASSEMBLY



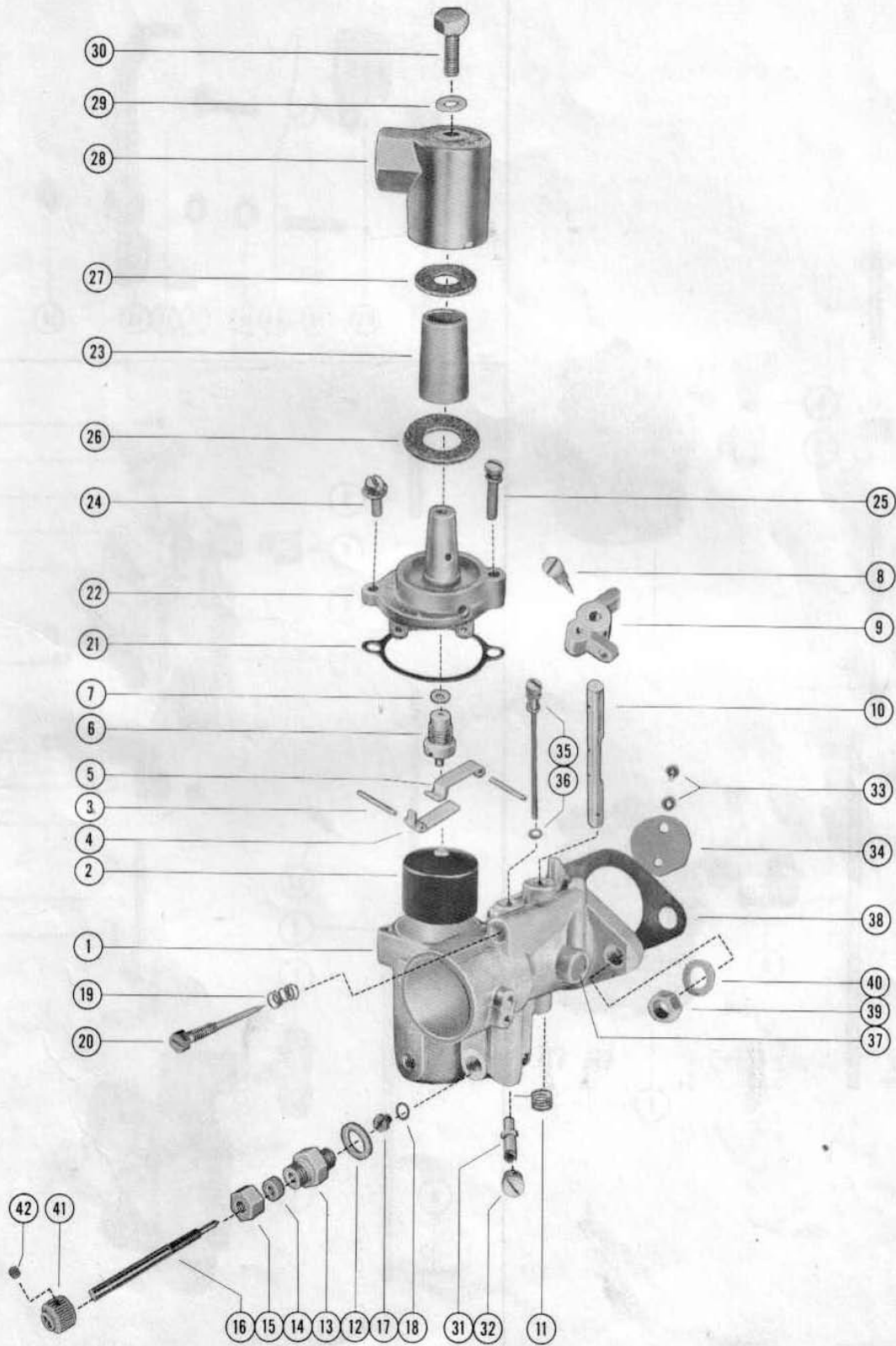
CARBURETOR ASSEMBLY

PART NO.	REF. NO.	DESCRIPTION	MK55H -1
1333-1609	1	Carburetor Assembly, Complete (Tillotson KA-7A)	2
1399-110A1	2	Float Assembly	2
17-20853	3	Pin, float lever pinion	4
1399-102	4	Lever, float (lower)	2
1399-101	5	Lever, float (upper)	2
1399-1473	6	Inlet Needle, Seat and Gasket <i>(see note below)</i>	2
27-25033	7	Gasket, inlet seat	2
10-20847	8	Screw, throttle stop lever	2
1399-97	9	Lever, throttle stop	1
1399-1475	10	Shaft, throttle	2
24-20869	11	Spring, throttle shaft return	2
27-20848	12	Gasket, main adjustment screw gland	2
1399-94	13	Gland, main adjustment screw	2
1399-108	14	Packing, main adjustment screw	2
11-20849	15	Nut, main adjustment screw	2
1399-1519	16	Screw, main adjustment	2
1399-1520	17	Orifice, main fuel	2
27-28409	18	Gasket, main fuel orifice	2
24-27160	19	Spring, idle adjustment screw	2
1399-1629	20	Screw, idle adjustment	2
1399-99	21	Gasket, float bowl cover	2
1399-1133	22	Cover, float bowl	2
1399-1754	23	Screen, filter <i>-not as shown</i>	2
10-20854	24	Screw, float bowl cover (short)	2
10-25850	25	Screw, float bowl cover (long)	2
27-25851	26	Gasket, strainer cover (large)	2
27-25849	27	Gasket, strainer cover (small)	2
1399-1135	28	Cover, strainer	2
27-25848	29	Gasket, strainer cover screw	2
10-25822	30	Screw, strainer cover fastening	2
1399-1474	31	Nozzle, main	2
10-23178	32	Screw, plug - main nozzle	2
10-23035	33	Screw and Lockwasher, throttle shutter	4
1399-1476	34	Shutter, throttle	2
1399-1472	35	Tube, idle	2
27-23180	36	Gasket, idle tube	2
19-20011	37	Welch Plug, body channel	2
10-28845	--	Screw, plug - body channel	2
27-26891	38	Gasket, carburetor flange	2
11-20083	39	Nut, carburetor mounting stud	4
12-20084	40	Washer, carburetor mounting stud	4
24823A1	41	Knob Assembly, main adjustment screw	2
10-22928	42	Screw, knob to main adjustment screw (#10)	2

NOTE: When converting Mark 55H engines (serial #997919 and below) from Carter to Tillotson Carburetors, the 27-20478 flange gasket must be used in place of 27-26891 flange gasket.

Note: Some 1333-1609 Carburetors were built with 1399-593 Inlet Needle, Seat and Gasket.

CARBURETOR ASSEMBLY



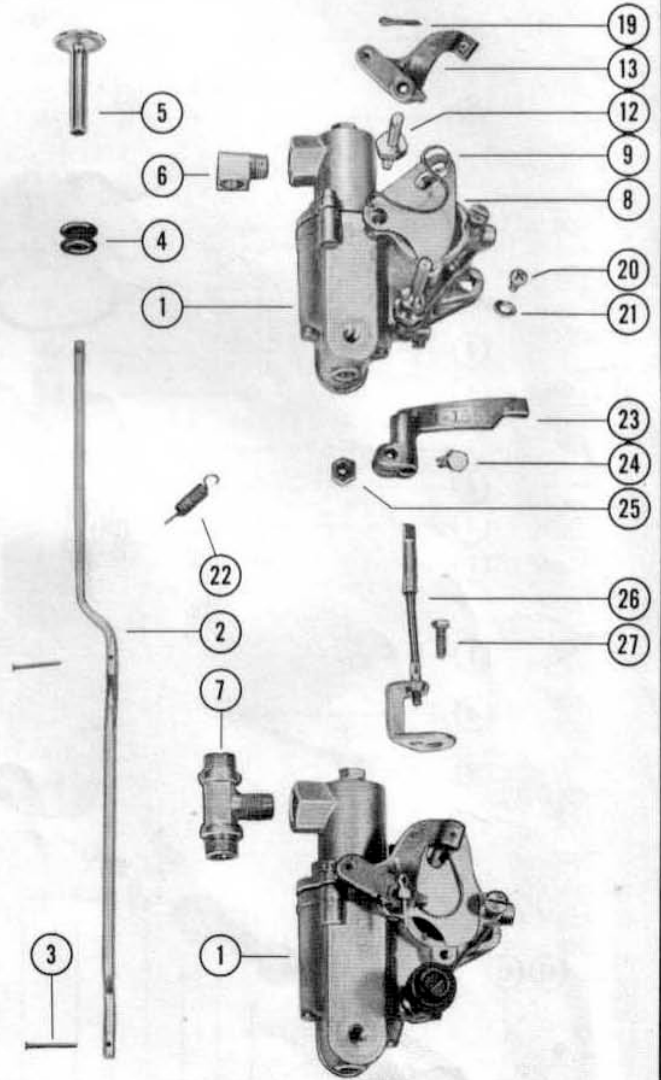
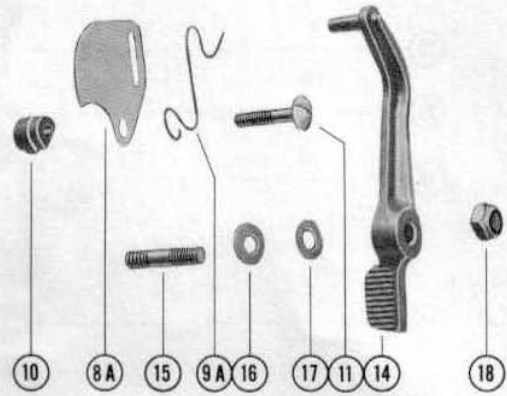
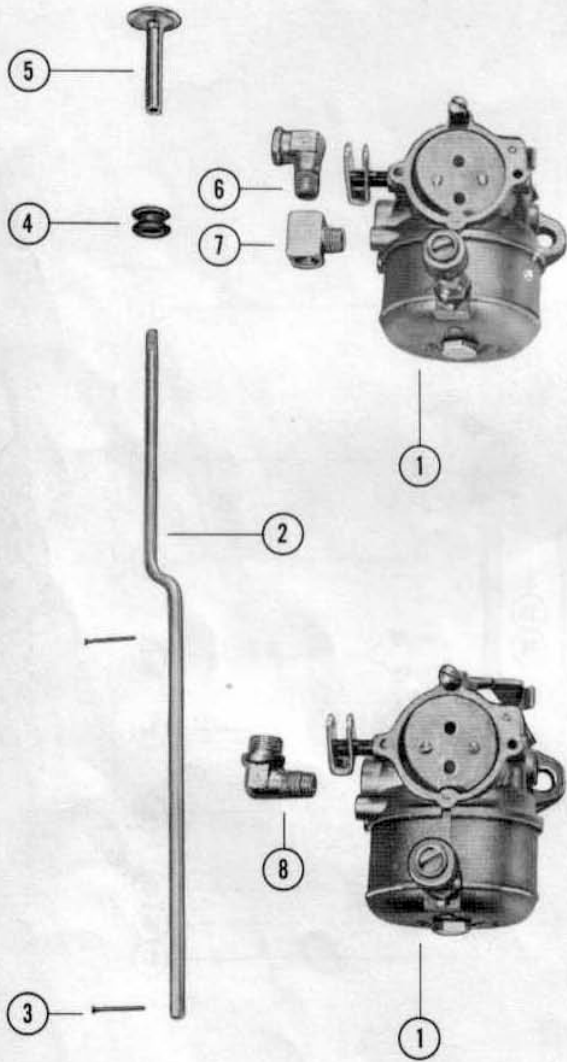
CARBURETOR LINKAGE

PART NO.	REF. NO.	DESCRIPTION	MK55H
1301-1143	1	Carburetor Assembly (Carter)	2
25911	2	Rod, choke	1
17-25391	3	Rivet, choke rod to shaft assembly	2
25-20116	4	Grommet, choke rod	1
20663	5	Knob, choke rod	1
22-23125	6	Elbow, upper carburetor tee to fuel line	1
22-25956	7	Tee, upper carburetor to fuel line	1
22-22995	8	Elbow, lower carburetor to fuel line	1
22-22946	-	Sleeve, rubber	1
11-22948	-	Nut, elbow	1

CARBURETOR LINKAGE

PART NO.	REF. NO.	DESCRIPTION	MK30H	MK30H	MK55H
				-1	-1
1327-1118	1	Carburetor Assembly (Tillotson AJ-51A)	2	2	-
1333-1609	1	Carburetor Assembly (Tillotson KA-7A)	-	-	2
21009	2	Rod, choke	1	1	-
●29319	2	Rod, choke	-	-	1
17-25391	3	Rivet, choke rod to choke lever	2	2	2
25-20116	4	Grommet, choke rod	1	1	1
20663	5	Knob, choke rod	1	1	1
22-23125	6	Elbow, upper carburetor to fuel line	1	-	-
22-25443	6	Elbow, upper carburetor to fuel line	-	1	1
22-23763	7	Tee, lower filter	1	1	1
22-22946	-	Sleeve, rubber - lower filter tee	2	2	2
11-22948	-	Nut, lower filter tee	2	2	2
20173	8	Shutter, choke	2	2	-
28087	8A	Shutter, choke	-	-	2
24-26067	9	Spring, choke shutter	2	2	-
24-20579	9A	Spring, choke shutter	-	-	2
23-28039	10	Spacer, choke shutter	-	-	2
10-28018	11	Screw, choke shutter to carburetor	-	-	2
10-20176	12	Screw, choke lever pivot pin	2	2	-
23742A1	13	Choke Lever Assembly	2	-	-
25881A1	13	Choke Lever Assembly	-	2	-
28075	14	Lever, choke	-	-	2
16-20581	15	Stud, choke lever	-	-	2
12-20533	16	Washer, choke lever stud	-	-	2
13-20511	17	Washer, wave - choke lever stud	-	-	2
●28670	--	Arm, choke lever to choke rod	-	-	2
11-20586	18	Nut, choke lever fastening	-	-	2
18-20180	19	Cotter Pin, choke lever retaining	1	1	-
10-20650	20	Screw, choke rod spring mounting	1	1	-
12-20192	21	Washer, choke rod spring screw	1	1	-
24-20649	22	Spring, choke rod positioning	1	1	-
20188	23	Throttle Pickup	1	1	1
10-20189	24	Screw, throttle pickup locking	1	1	1
11-20190	25	Nut, throttle locking screw	1	1	1
20185A1	26	Throttle Pickup Bracket Assembly	1	1	-
28007A1	26	Throttle Pickup Bracket Assembly	-	-	1
10-29239	27	Screw, throttle bracket mounting	1	1	1

CARBURETOR LINKAGE



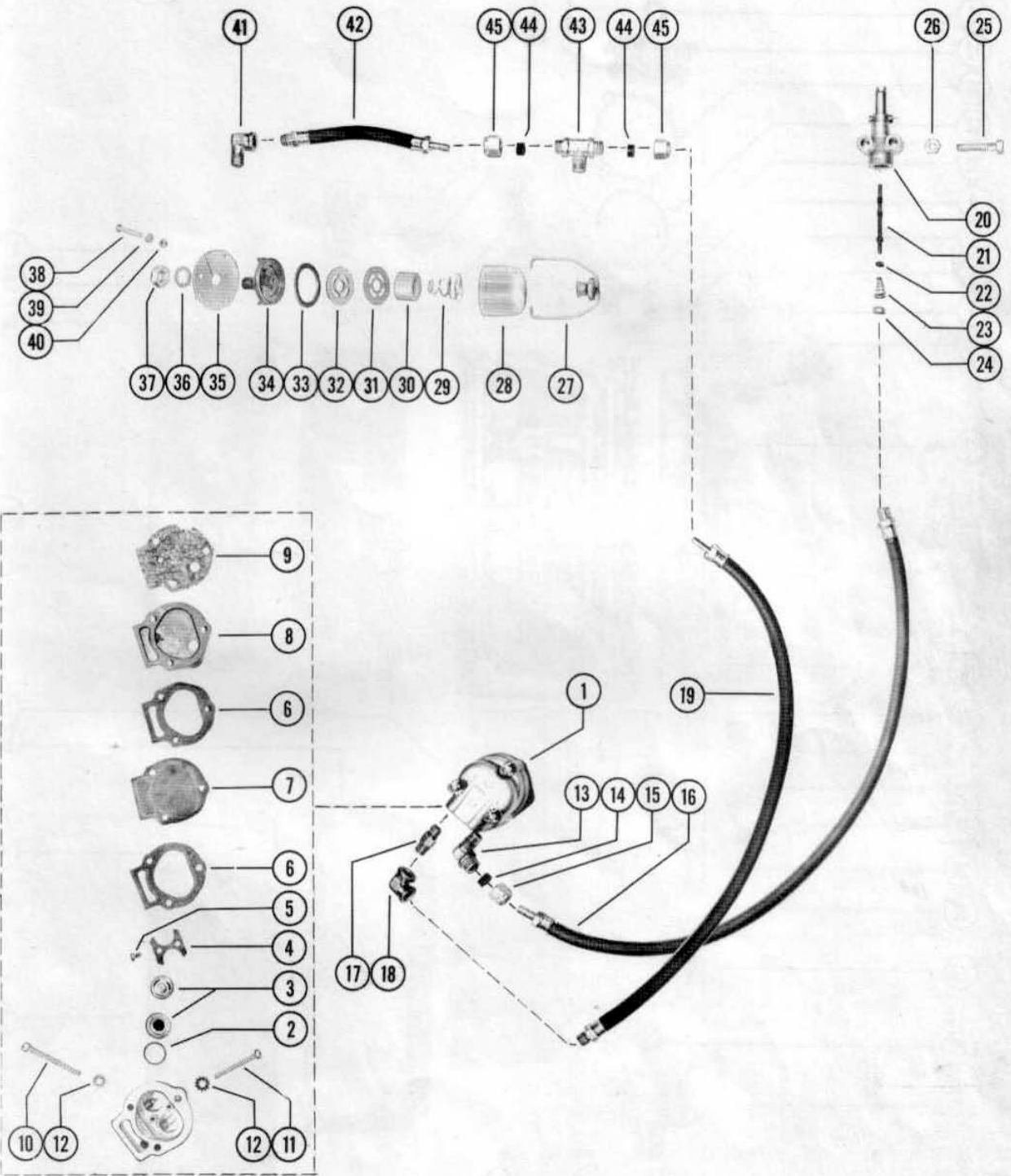
FUEL PUMP AND FUEL FILTER

PART NO.	REF. NO.	DESCRIPTION	MK30H *	MK30H **	MK30H -1	MK55H	MK55H -1
23009A1	1	Fuel Pump Assembly (see note below)	2	1	1	1	1
27-23005	2	Gasket, check valve to housing	4	2	2	2	2
21-20963	3	Check Valve	4	2	2	2	2
23004	4	Retainer, check valve	2	1	1	1	1
10-20037	5	Screw, retainer to housing	4	2	2	2	2
27-24863	6	Gasket, fuel pump	4	2	2	2	2
23014	7	Diaphragm, fuel pump	2	1	1	1	1
23008	8	Cover, fuel pump	2	1	1	1	1
27-23013	9	Gasket, fuel pump cover	2	1	1	1	1
10-29030	10	Screw, fuel pump mounting (1 7/8")	4	2	2	2	2
10-29029	11	Screw, fuel pump mounting (1 1/2")	2	1	1	1	1
13-20554	12	Lockwasher, fuel pump mounting screw	6	3	3	3	-
26083	--	Cover, fuel pump pad	-	1	1	-	1
27-23013	9	Gasket, fuel pump cover	-	1	1	-	1
10-28257	--	Screw, pad cover to cylinder block (3/4")	-	3	3	-	3
13-20554	12	Lockwasher, pad cover screw	-	3	3	-	-
22-23125	--	Elbow, inlet lower pump	1	-	-	-	-
32-23732	--	Fuel Line, lower pump to upper pump (8 3/4")	1	-	-	-	-
22-22995	13	Elbow, fuel pump to fuel line	-	1	1	4	1
22-22946	14	Sleeve, rubber	-	1	1	4	1
11-22948	15	Nut, elbow	-	1	1	4	1
32-23761	16	Fuel Line, adaptor to fuel pump (18")	1	1	1	1	1
22-23595	17	Connector, fuel pump outlet to elbow	-	1	-	1	-
22-24690	18	Elbow, connector to fuel line	-	1	-	1	-
22-25443	--	Elbow, pump outlet to fuel line	1	-	1	-	1
32-23837	19	Fuel Line, fuel pump to filter (18 1/2")	-	1	1	1	1
32-25450	--	Fuel Line, upper pump to lower filter (19 1/2")	1	-	-	-	-
22833	20	Adaptor, check unit (fuel line)	1	1	1	1	1
23069	21	Stem, check unit adaptor	1	1	1	1	1
25-20415	22	"O" Ring, adaptor stem	1	1	1	1	1
24-23067	23	Spring, adaptor stem	1	1	1	1	1
23068	24	Cup Washer, adaptor	1	1	1	1	1
10-20784	25	Screw, adaptor to bottom cowl	2	2	2	2	2
11-24652	26	Nut, adaptor screw	2	2	2	2	2
35-20555A2	--	Fuel Filter Assembly	-	-	-	1	-
20498	27	Bale Assembly	-	-	-	1	-
20497	28	Bowl, filter	-	-	-	1	-
24-20341	29	Spring, filter element retaining	-	-	-	1	-
35-20555	30	Element, filter	-	-	-	1	-
27-20338	31	Gasket, filter element	-	-	-	1	-
20499	32	Plate, filter element gasket backing	-	-	-	1	-
27-20496	33	Gasket, filter top (rubber)	-	-	-	1	-
20495	34	Top, filter	-	-	-	1	-
25931	35	Plate, fuel filter mounting	-	-	-	1	-
13-20494	36	Lockwasher, filter top	-	-	-	1	-
11-20142	37	Nut, filter to mounting plate	-	-	-	1	-
10-25207	38	Screw, mounting plate to crankcase	-	-	-	3	-
12-20286	39	Washer, mounting plate screw	-	-	-	3	-
11-21806	40	Nut, mounting plate screw	-	-	-	3	-
22-23125	41	Elbow, filter to fuel line	1	1	-	1	-
22-25443	41	Elbow, filter to fuel line	-	-	1	-	1
32-25228	42	Fuel Line, filter to filter (5 1/2")	1	1	1	-	1
32-25228	42	Fuel Line, carburetor to carburetor (5 1/2")	-	-	-	1	-
32-23762	--	Fuel Line, filter outlet to upper carburetor (11 1/2")	-	-	-	1	-
22-23763	43	Tee Assembly, lower filter	1	1	1	-	1
22-22946	44	Sleeve, rubber	2	2	2	-	1
11-22948	45	Nut, filter tee	2	2	2	-	1
22-25956	--	Tee, upper carburetor	-	-	-	1	-

NOTE: * Two fuel pumps were used on Mark 30H up to and including Serial #998933.

** One fuel pump started on Mark 30H with Serial #998934 and up.

FUEL PUMP AND FUEL FILTER

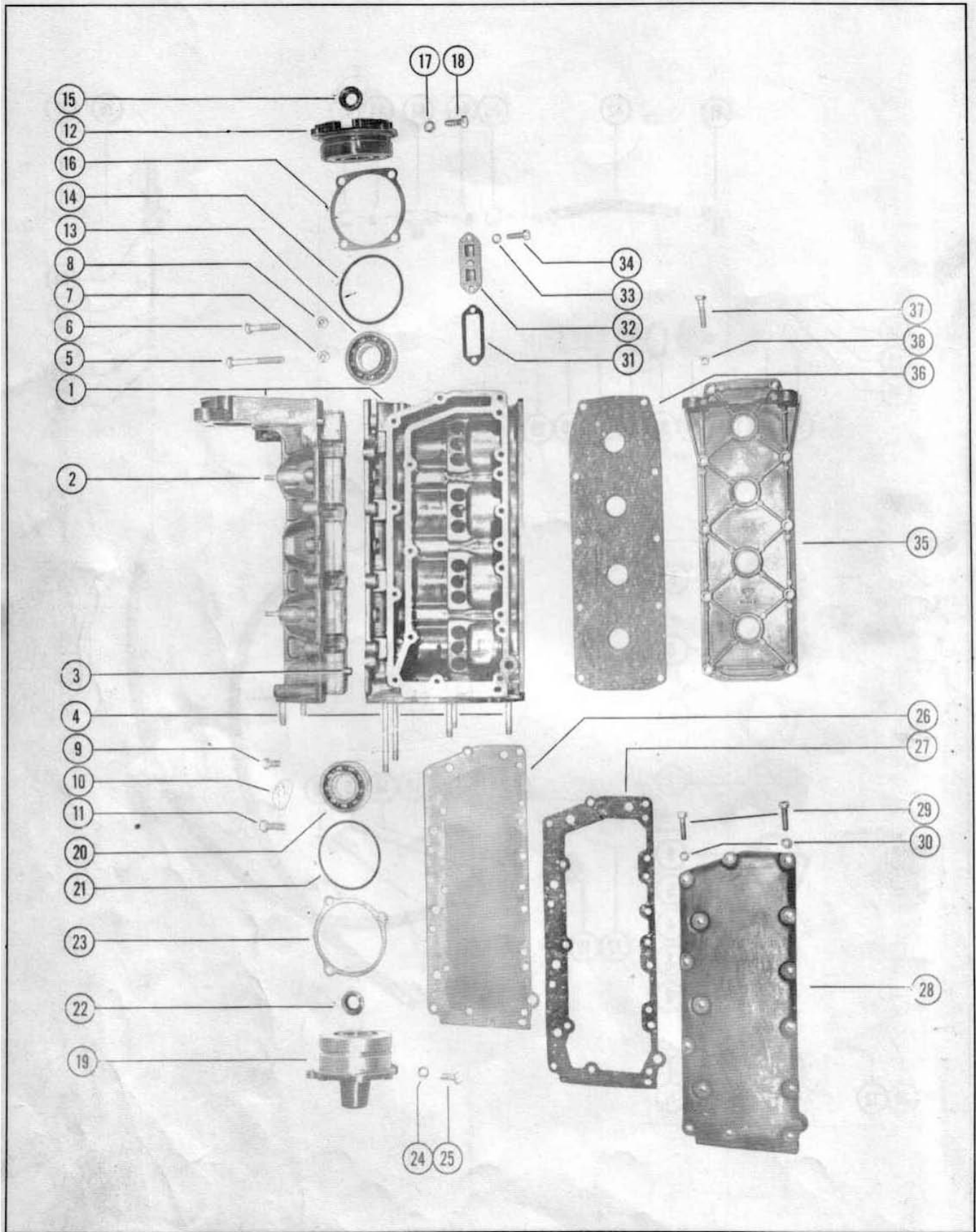


CYLINDER BLOCK AND CRANKCASE ASSEMBLY

PART NO.	REF. NO.	DESCRIPTION	MK30H	MK55H	MK30H	MK55H
					-1	-1
821-1012A6	1	Cylinder Block & Crankcase Assembly	1	-	-	-
821-1316A4	1	Cylinder Block & Crankcase Assembly	-	1	-	-
808-1137A2	1	Cylinder Block & Crankcase Assembly	-	-	1	-
●808-1137A4	1	Cylinder Block & Crankcase Assembly	-	-	-	1
17-20323	-	Dowel Pin, cylinder block to center main bearing	1	1	1	1
17-20032	-	Dowel Pin, cylinder block to main bearing	2	2	2	2
23-26348	-	Bushing, crankcase	2	2	2	2
16-25385	2	Stud, carburetor mounting (1 1/8)	4	4	-	-
16-25919	2	Stud, carburetor mounting (1 1/8)	-	-	4	-
16-21831	2	Stud, carburetor mounting (1 1/4)	-	-	-	4
17-20033	3	Dowel Pin, crankcase to cylinder block	2	2	2	2
16-20357	4	Stud, crankcase to drive shaft housing	2	2	2	2
16-20357	4	Stud, cylinder block to drive shaft housing	6	6	6	6
22-21290	-	Plug, pipe - cylinder block bleed holes	2	3	-	1
10-22039	5	Screw, crankcase to cylinder block (2 3/4)	4	4	4	4
10-22040	6	Screw, crankcase to cylinder block (1 1/2)	14	14	14	14
12-20084	-	Washer, crankcase screw	18	18	18	-
11-25594	7	Nut, crankcase screw	3	3	3	-
11-20461	8	Nut, crankcase screw	15	15	15	18
10-20089	9	Screw, main bearing locking	2	2	2	2
14-20091	10	Tab Washer, bearing locking screw	3	3	3	3
10-20359	11	Screw, center main bearing locking	1	1	1	1
1100-339A1	12	End Cap Assembly, upper	1	1	1	1
30-20080	13	Bearing, ball - upper end cap	1	1	1	1
25-20081	14	"O" Ring, upper end cap	1	1	1	1
26-25837	15	Oil Seal	1	1	1	1
15-20082	16	Shim, upper end cap to crankcase (.002-3-5-10)	AR	AR	AR	AR
13-20223	17	Lockwasher, end cap mounting screw	4	4	4	4
10-28782	18	Screw, end cap mounting	4	4	4	4
1102-24A3	19	End Cap Assembly, lower	1	-	1	-
1102-1484A1	19	End Cap Assembly, lower	-	1	-	-
●1102-1484A2	19	End Cap Assembly, lower	-	-	-	1
30-20080	20	Bearing, ball - lower end cap	1	1	1	1
25-20081	21	"O" Ring, lower end cap	1	1	1	1
26-25837	22	Oil Seal	1	1	1	2
26-25840	22	Oil Seal, bottom	-	1	-	-
21-28481A1	--	Check Valve Assembly	-	1	-	-
15-20085	23	Shim, lower end cap to crankcase (.002-3-5-10)	AR	AR	AR	AR
13-20223	24	Lockwasher, end cap to crankcase	3	-	3	-
10-28782	25	Screw, end cap mounting	3	-	3	-
10-29198	25	Screw, end cap mounting	-	3	-	3
*27-26923	27	Gasket, cylinder block to manifold plate	1	1	1	1
*26922	26	Plate, exhaust manifold	1	1	1	1
*27-26923	27	Gasket, manifold plate to cover	1	1	1	1
*28240	28	Cover, exhaust manifold	1	1	1	1
10-28668	29	Screw, manifold cover mounting	15	15	15	13
10-28666	29	Screw, manifold cover mounting	-	-	-	2
12-20028	30	Washer, cover mounting screw	2	2	2	2
27-20030	31	Gasket, transfer port cover	4	-	4	-
27-27936	31	Gasket, transfer port cover	-	2	-	2
25206	32	Cover, transfer port	4	-	4	-
27935	32	Cover, transfer port	-	2	-	2
10-20540	34	Screw, transfer port cover mounting	8	-	8	-
12-20028	33	Washer, transfer port cover screw	8	6	8	6
1000-1A1	35	Cylinder Block Cover Assembly	1	1	1	1
23-26348	--	Bushing, cylinder block cover	2	2	2	2
27-22333	36	Gasket, cylinder block cover	1	1	1	1
10-20653	37	Screw, cylinder block cover mounting	10	10	10	10
11-24652	38	Nut, cover mounting screw	10	10	10	10

* See Section II - Powerhead, Page 35 and 36, Master Service Manual

CYLINDER BLOCK AND CRANKCASE ASSEMBLY



CRANKSHAFT - PISTONS & CONNECTING RODS

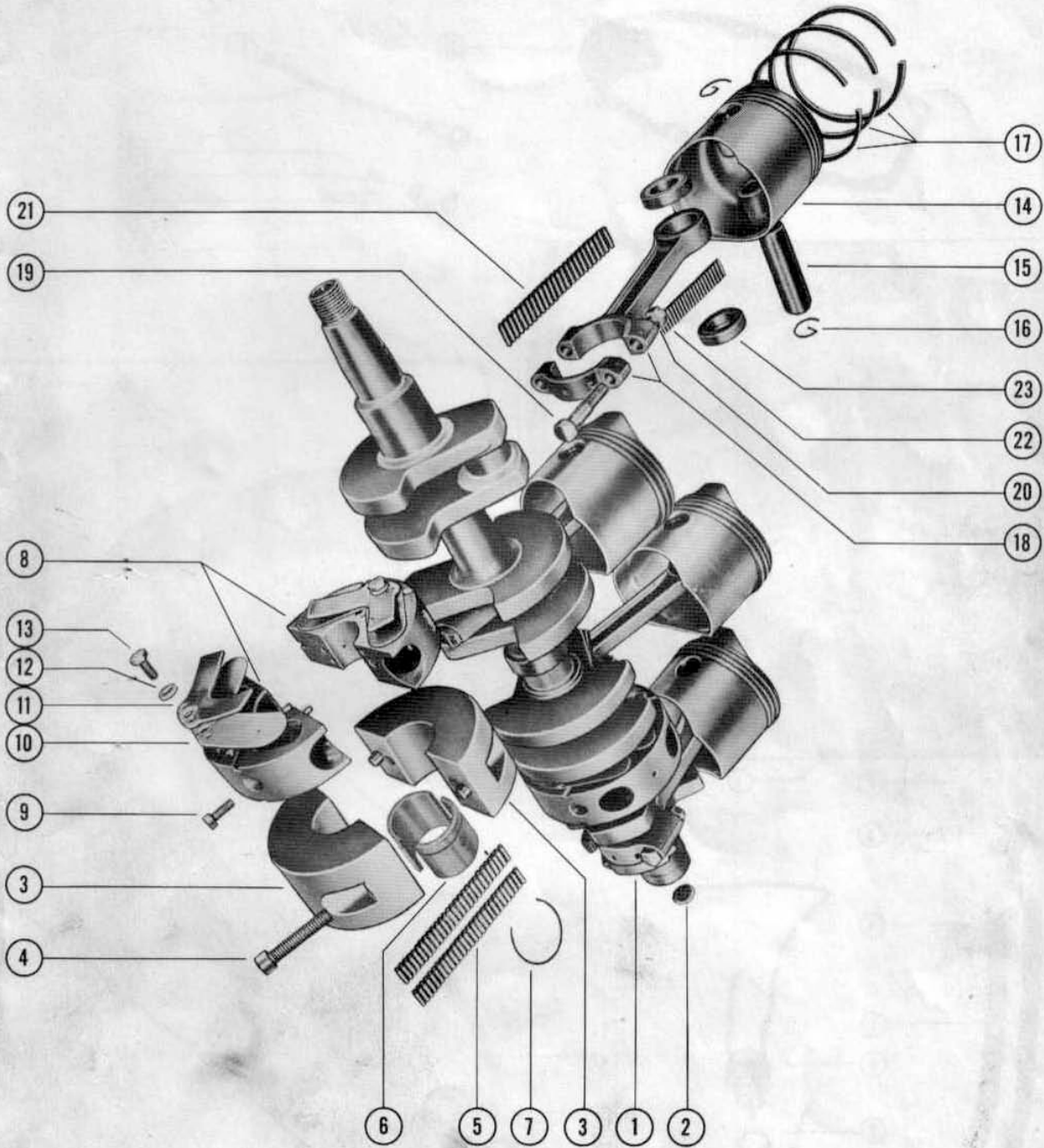
PART NO.	REF. NO.	DESCRIPTION	MK30H	MK30H	MK55H	MK55H
			-	-	-	-
●400-1396A1	1	Crankshaft Assembly (with 28-27773 key)	*1	-	-	-
400-1318	1	Crankshaft (use 28-20094 key)	-	1	-	-
●400-1395A1	1	Crankshaft Assembly (with 28-27773 key)	-	-	*1	-
400-1319	1	Crankshaft (use 28-20094 key)	-	-	-	1
20043	2	Oiler, felt - drive shaft spline	-	-	1	1
500-1030A1	3	Center Main Bearing Assembly	1	1	1	-
500-12A2	3	Center Main Bearing Assembly	-	-	-	1
17-20032	-	Dowel Pin, center main bearing	2	2	2	2
10-20482	4	Screw, center main bearing clamping	2	2	2	2
29-20046	5	Bearing, needle	56	56	56	56
20047	6	Race, outer	1	1	1	1
53-20048	7	Snap Ring, outer race clamping	1	1	1	1
17-20379	-	Dowel Pin (stepped)	1	1	1	1
501-431A2	8	Main Bearing Assembly (valve type)	2	-	-	-
526-1436A1	8	Main Bearing Assembly (valve type)	-	2	-	2
501-1144A2	8	Main Bearing Assembly (valve type)	-	-	2	-
17-20032	-	Dowel Pin, main bearing	20	20	20	20
10-20049	9	Screw, main bearing clamping	4	4	4	4
34-20888	10	Reed Set, matched - main bearing	2	2	2	2
34-20053	11	Reed Stop, main bearing reed valves	8	8	8	8
12-26014	12	Washer, reed stop mounting screw	8	8	8	8
10-20055	13	Screw, reed stop mounting	8	8	8	8
717-1182A4	14	Piston & Piston Pin Assembly	4	4	-	-
700-1142A1	14	Piston & Piston Pin Assembly	-	-	4	-
●726-1611A4	14	Piston & Piston Pin Assembly	-	-	-	4
N. S. S.	15	Pin, piston	4	4	4	4
40-20057	16	Lock Ring, piston pin	8	8	8	8
39-21680	17	Ring, piston	12	12	-	-
39-20058	17	Ring, piston	-	-	12	12
600-7A1	18	Connecting Rod & Cap Assembly	4	4	4	4
10-20060	19	Screw, connecting rod	8	8	8	8
11-20061	20	Nut, connecting rod	8	8	8	8
29-20046	21	Bearing, needle - crankpin	100	100	100	100
29-20063	22	Bearing, needle - piston pin	88	88	88	88
12-20064	23	Washer, needle locating	8	8	8	8

* Production engines used 28-20661 key, flywheel drive. When crankshaft replacement is required, check size of keyway...
 28-20661 (3/4" dia x 3/16" thick) 28-27773 (1/2" dia x 3/16" thick)

Oversize Pistons and Rings

708-1179A1	--	Piston & Piston Pin Assembly (.015 o. s.)	4	-	-	-
717-1415A1	--	Piston & Piston Pin Assembly (.015 o. s.)	-	4	-	-
716-1178A1	--	Piston & Piston Pin Assembly (.015 o. s.)	-	-	4	-
●726-1612A1	--	Piston & Piston Pin Assembly (.015 o. s.)	-	-	-	4
39-20993	--	Rings, piston (.015 o. s.)	12	12	--	--
39-20992	--	Rings, piston (.015 o. s.)	--	--	12	12

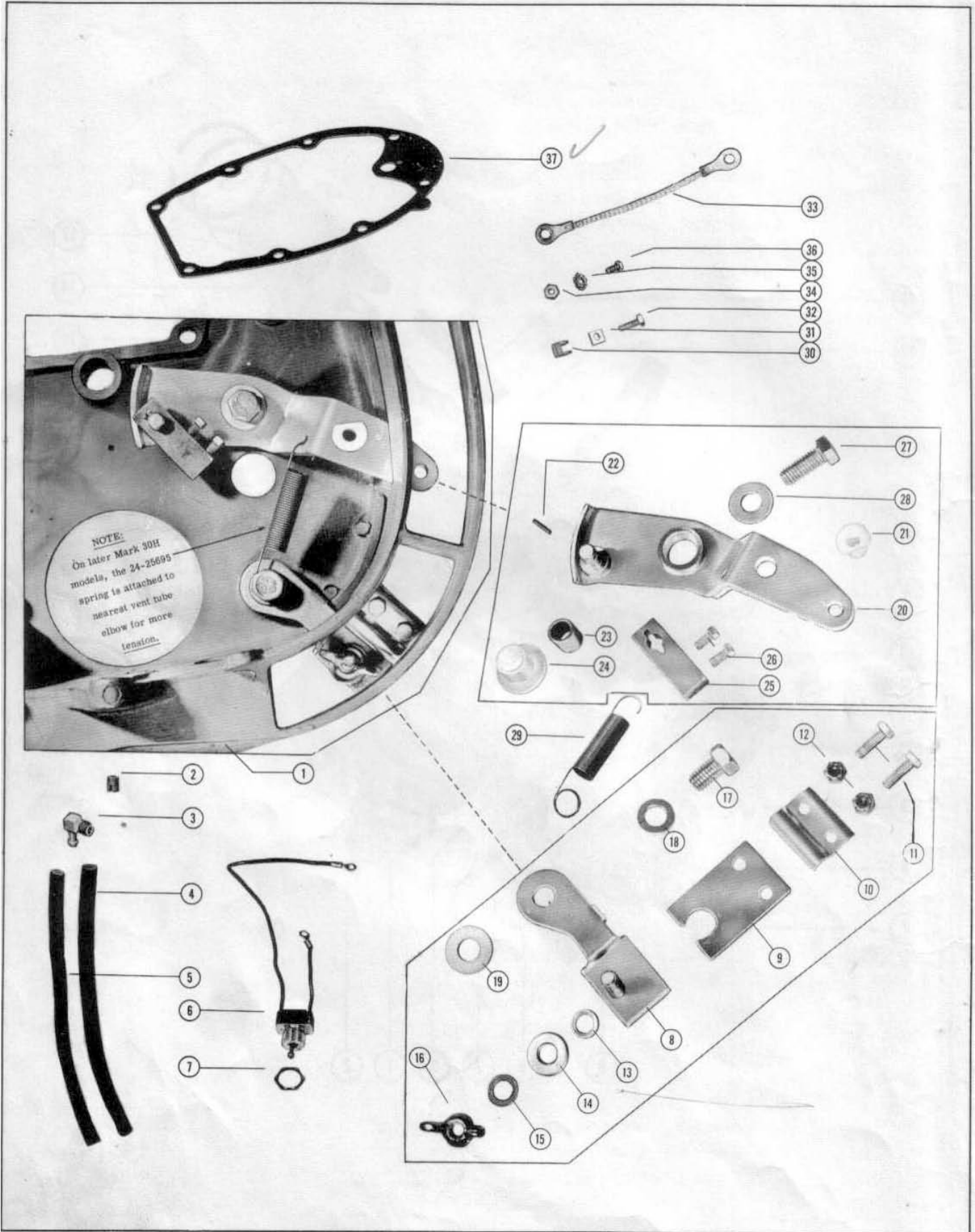
CRANKSHAFT - PISTONS & CONNECTING RODS



BOTTOM COWL ASSEMBLY

PART NO.	REF. NO.	DESCRIPTION	MK30H	MK30H -1	MK55H	MK55H -1
103-1140A1	1	Bottom Cowl Assembly	1	1	1	1
23-25194	-	Bushing, oilite	1	1	1	1
21041	2	Insert, tap-loc	1	1	1	1
23760	-	Baffle, bottom cowl	1	1	1	1
10-21106	-	Screw, baffle to bottom cowl	3	3	3	3
22-20781	3	Elbow, magneto vent tube	2	-	2	2
22-25885	3	Elbow, magneto vent tube	-	2	-	-
32-29164	4	Tube, vent - magneto (10 1/2")	2	-	2	2
32-26338	4	Tube, vent - magneto inlet (8 3/4")	-	1	-	-
32-26330	5	Tube, vent - magneto outlet (11")	-	1	-	-
25710	6	Switch, magneto shorting	1	1	1	1
11-21971	7	Nut, shorting switch to bottom cowl	2	2	2	2
10-21106	-	Screw, shorting switch ground lead to bottom cowl	1	1	1	1
25791A1	8	Bracket & Screw Assembly	1	1	1	1
25787	9	Plate, bracket	1	1	1	1
25788	10	Plate, clamping	1	1	1	1
10-20456	11	Screw, clamping plate to bracket plate	2	2	2	2
11-20190	12	Nut, clamping plate screw	2	2	2	2
12-20546	13	Washer, bracket assembly screw	1	1	1	1
12-24666	14	Washer, bracket assembly screw	1	1	1	1
13-26993	15	Lockwasher, bracket assembly screw	1	1	1	1
11-25783	16	Nut, bracket plate fastening	1	1	1	1
10-25785	17	Screw, bracket assembly to bottom cowl	1	1	1	1
13-20758	18	Lockwasher, bracket to bottom cowl screw	1	1	1	1
12-25790	19	Washer, bracket to bottom cowl screw	1	1	1	1
25779	20	Bracket, magneto control	1	1	1	1
23-20304	21	Bushing, nylon - control bracket	1	1	1	1
17-23928	22	Roll Pin, control bracket pin	1	1	1	1
23-21008	23	Bushing, steel - control bracket	1	1	1	1
23-20008	24	Bushing, nylon - control bracket	1	1	1	1
25786	25	Plate, swivel - control bracket (brass)	1	1	1	1
10-25781	26	Screw, set - swivel plate	2	2	2	2
10-21077	27	Screw, control bracket to bottom cowl	1	1	1	1
12-21040	28	Washer, control bracket screw	1	1	1	1
24-25695	29	Spring, tension - control bracket to vent elbow	1	1	1	1
21968	30	Stop Block, throttle adjusting	1	1	1	2
12-21967	31	Washer, stop block screw	1	1	1	2
10-20474	32	Screw, stop block holding	1	1	1	2
397-416A3	33	Ground Strap Assembly, cowl to cylinder block	1	1	1	1
10-20055	36	Screw, ground strap to bottom cowl	1	1	1	1
13-20554	35	Washer, shakeproof - ground strap screw	1	1	1	1
11-20645	34	Nut, ground strap screw	1	1	1	1
27-20389	--	Gasket, bottom cowl to drive shaft housing	1	1	1	1
27-20390	37	Gasket, powerhead to bottom cowl	1	1	1	1
38-27720	--	Plate, trade mark - bottom cowl	-	-	-	1
53-25539	--	Fastener, plate to bottom cowl	-	-	-	2

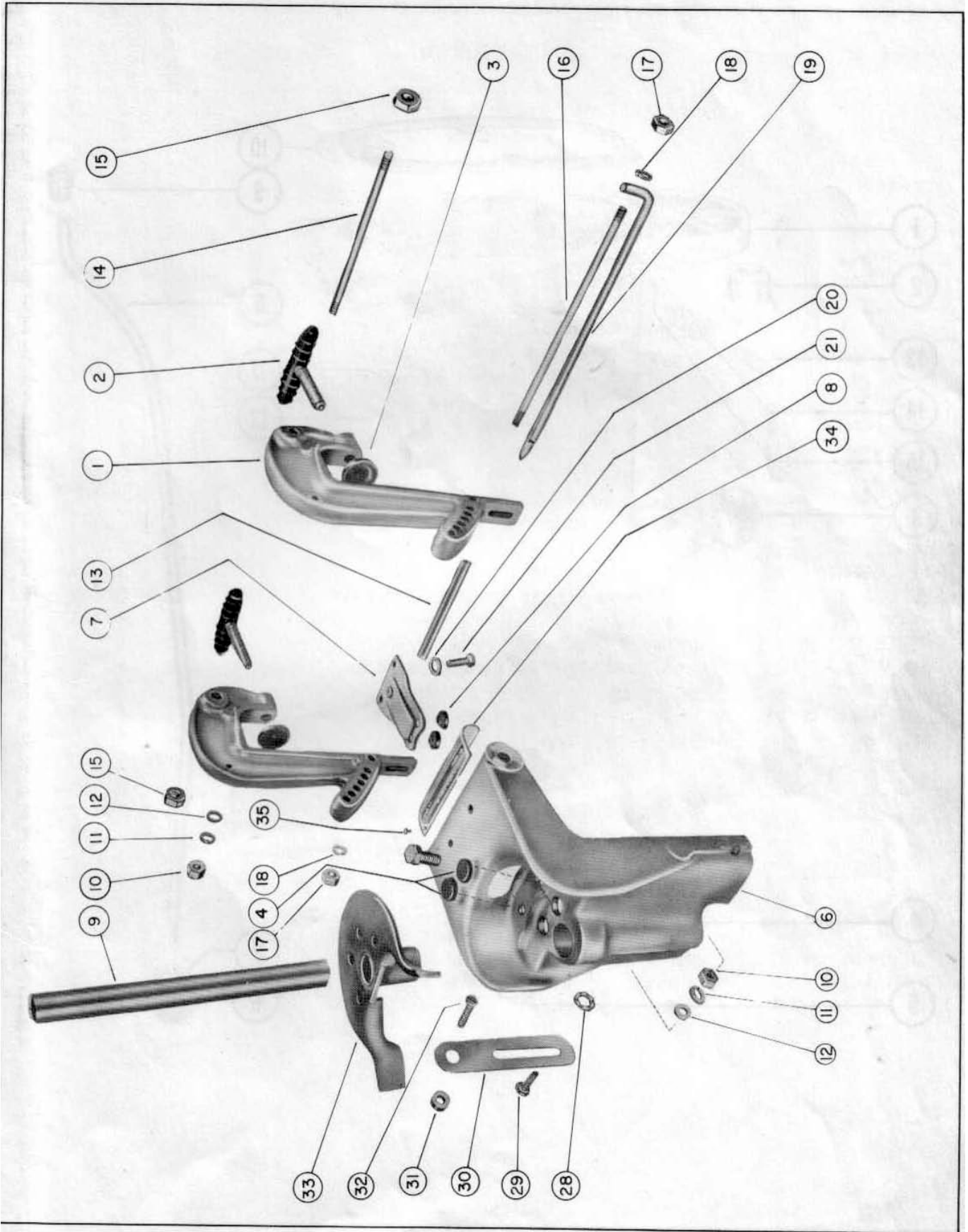
BOTTOM COWL ASSEMBLY



CLAMP AND SWIVEL BRACKET

PART NO.	REF. NO.	DESCRIPTION	MK30H	MK30H -1	MK55H	MK55H -1
1427-1081A1	1	Clamp Bracket Assembly	2	2	2	2
22477	2	Thumb Screw Assembly	2	2	2	2
12-20214	3	Washer, thumb screw	2	2	2	2
1401-1095A1	6	Swivel Bracket Assembly	1	1	1	1
23026	4	Disc, friction	3	3	3	3
22-23612	-	Fitting, grease	1	1	1	1
20342	7	Plate, clamp	1	1	1	1
23026	8	Disc, friction	3	3	3	3
17-20230	9	Swivel Pin	1	1	1	1
19-25705	-	Plug, swivel pin hole	1	1	1	1
11-20088	10	Nut, lever anchor screw	4	4	4	4
13-20147	11	Lockwasher, lever anchor screw	4	4	4	4
12-20028	12	Washer, lever anchor screw	4	4	4	4
23-20222	13	Spacer, clamp bracket	1	1	1	1
28122	14	Tube, tilt - clamp bracket to swivel bracket	1	1	1	1
11-25599	15	Nut, clamp bracket tilt tube	2	2	2	2
25606	--	Cap, threaded - tilt tube	2	2	2	2
54-25735	--	Clip, safety chain	1	1	1	1
16-20221	16	Stud, clamp bracket	1	1	1	1
11-20083	17	Nut, clamp bracket stud	2	2	2	2
13-26993	18	Lockwasher, clamp bracket stud nut	2	2	2	2
17-20225	19	Tilt Lock Pin	1	1	1	1
13-21804	20	Lockwasher, clamp plate screw	1	1	1	1
10-26065	21	Screw, clamp plate to swivel bracket	1	1	1	1
15-25600	--	Shim, clamp bracket tilt tube	2	2	2	2
13-20846	28	Wave Washer, retaining screw	2	2	2	2
10-29237	29	Screw, retaining - tilt stop lever	2	2	2	2
20215	30	Lever, tilt stop	2	2	2	2
23-20216	31	Spacer, tilt stop lever	2	2	2	2
10-20217	32	Screw, anchor - tilt stop lever	2	2	2	2
21906	33	Co-pilot Disc	1	1	1	1
38-25757	34	Serial Plate	1	1	-	-
38-25684	34	Serial Plate	-	-	1	1
10-25612	35	Screw, drive - serial plate fastening	4	4	4	4
10-26483	--	Bolt, carriage - clamp bracket to boat transom	-	-	-	2
12-26485	--	Washer, carriage bolt	-	-	-	2
11-26484	--	Nut, carriage bolt	-	-	-	2

CLAMP AND SWIVEL BRACKET ASSEMBLY



DRIVE SHAFT HOUSING ASSEMBLY

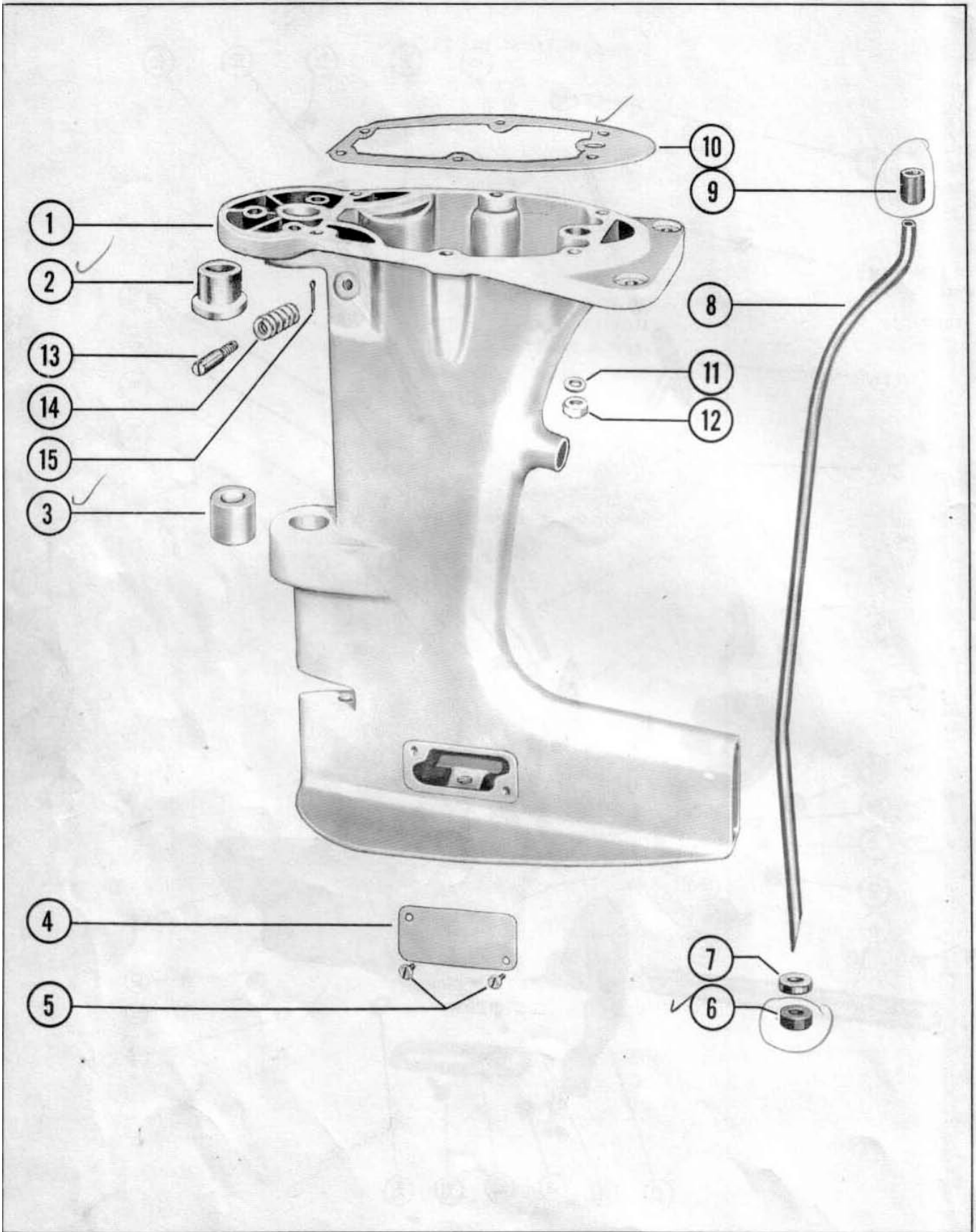
PART NO.	REF. NO.	DESCRIPTION	MK30H	MK30H -1	MK55H	MK55H -1
1505-1115A1	1	Drive Shaft Housing Assembly	1	1	-	-
1505-1091A1	1	Drive Shaft Housing Assembly	-	-	1	1
23-20196	2	Bushing, upper	1	1	1	1
23-20199	3	Bushing, lower	1	1	1	1
20682	4	Plate, cover	1	1	1	1
10-20681	5	Screw, cover plate fastening	2	2	2	2
12-20684	6	Seal, rubber - water tube	1	1	1	1
12-20683	7	Washer, water tube seal	1	1	-	-
12-21904	7	Washer, water tube seal	-	-	1	1
32-25777	8	Tube, water inlet	1	1	-	-
32-25687	8	Tube, water inlet	-	-	1	1
26-25192	9	Seal, rubber - water inlet tube	1	1	1	1
27-20389	10	Gasket, bottom cowl to housing	1	1	1	1
27-20390	--	Gasket, powerhead to bottom cowl	1	1	1	1
12-20084	11	Washer, powerhead studs	8	8	8	8
11-25594	12	Nut, powerhead studs	8	8	8	8
10-21070	13	Screw, co-pilot to drive shaft housing	2	2	2	2
24-20229	14	Spring, co-pilot screw	2	2	2	2
18-21071	15	Cotter Pin, co-pilot screw holding	2	2	2	2

INSIDE AND OUTSIDE STEERING

PART NO.	DESCRIPTION	MK30H	MK30H -1	MK55H	MK55H -1
25331A2	*Inside Steering Bracket Assembly	1	1	1	1
10-21574	Screw, inside steering bracket	1	1	1	1
12-20103	Washer, inside steering bracket pin	1	1	1	1
11-21528	Nut, inside steering bracket pin	1	1	1	1
20892A1	Outside Steering Bar	1	1	1	1
10-20639	Screw, steering bar attaching	2	2	2	2
13-26993	Lockwasher, steering bar screw	2	2	2	2
11-20640	Nut, steering bar screw	2	2	2	2
29071A1	*Ride-Guide Steering Wheel Kit	1	1	1	1
29173A1	*Ride-Guide Motor Attaching Kit	1	1	1	1
25917A7-A20	*Ride-Guide Steering Cable Ass'y (7 ft. thru 20 ft.)	1	1	1	1

* Not standard equipment

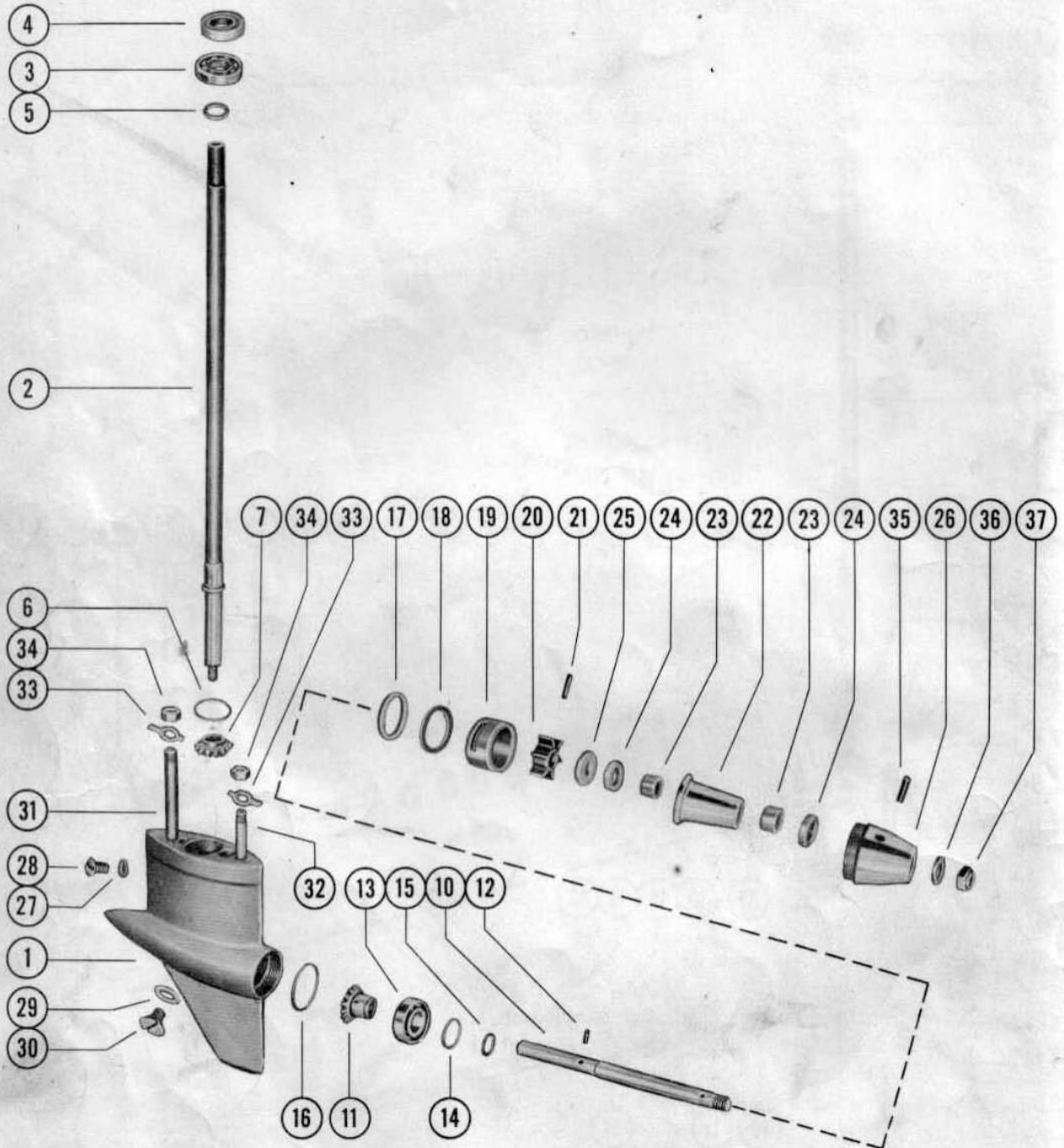
DRIVE SHAFT HOUSING ASSEMBLY



GEAR HOUSING ASSEMBLY

PART NO.	REF. NO.	DESCRIPTION	MK30H	MK30H
				-1
1604-1116A1	-	Gear Housing Assembly, Complete	1	1
1604-1116A2	1	Gear Housing Assembly	1	1
31-20904	-	Bearing, roller - propeller shaft	1	1
31-20908	-	Bearing, roller - drive shaft	1	1
10-21048	-	Plug, headless	1	1
16-25758	31	Stud, gear housing to drive shaft housing (long)	1	1
16-20901	32	Stud, gear housing to drive shaft housing (short)	1	1
45-25726	2	Drive Shaft	1	1
30-25728	3	Bearing, ball - drive shaft	1	1
25727A1	4	Pilot and Oil Seal Assembly	1	1
26-20070	5	Oil Seal	1	1
15-20919	6	Shim, drive shaft bearing to gear housing (.002-3-5)	AR	AR
43-25692	7	Gear, pinion	1	1
13-20921	8	Lockwasher, pinion gear locking nut	1	1
11-20922	9	Nut, pinion gear locking	1	1
44-20923	10	Shaft, propeller	1	1
43-25693	11	Gear, propeller	1	1
17-20937	12	Pin, propeller gear to shaft	1	1
30-20938	13	Bearing, ball - propeller shaft	1	1
15-20939	14	Shim, propeller gear bearing to snap ring (.003-5-10)	AR	AR
53-20940	15	Ring, snap - ball bearing to propeller gear	1	1
15-20941	16	Shim, propeller shaft bearing to gear hsg. (.002-3-5-10)	AR	AR
12-20942	17	Washer, sealing - water pump cartridge	1	1
25-20812	18	Seal, rubber - water pump cartridge	1	1
46-20943A1	19	Water Pump Cartridge Assembly	1	1
26-20903	--	Oil Seal	1	1
47-20945	20	Impeller, water pump	1	1
28-20946	21	Key, impeller drive	1	1
46-20905A1	22	Water Pump Cover Assembly	1	1
31-20904	23	Bearing, roller	2	2
26-20903	24	Oil Seal	2	2
20947	25	Plate, water pump cover	1	1
20902	26	Cover, gear housing	1	1
12-20262	27	Washer, gear housing vent screw	1	1
10-28653	28	Screw, gear housing vent	1	1
12-20260	29	Washer, grease filler hole screw	1	1
10-28634	30	Screw, grease filler hole	1	1
12-20413	33	Washer, gear housing studs	2	2
11-25269	34	Nut, gear housing studs	2	2
17-25971	35	Pin, shear	1	1
12-20959	36	Washer, propeller nut	1	1
11-20958	37	Nut, propeller	1	1

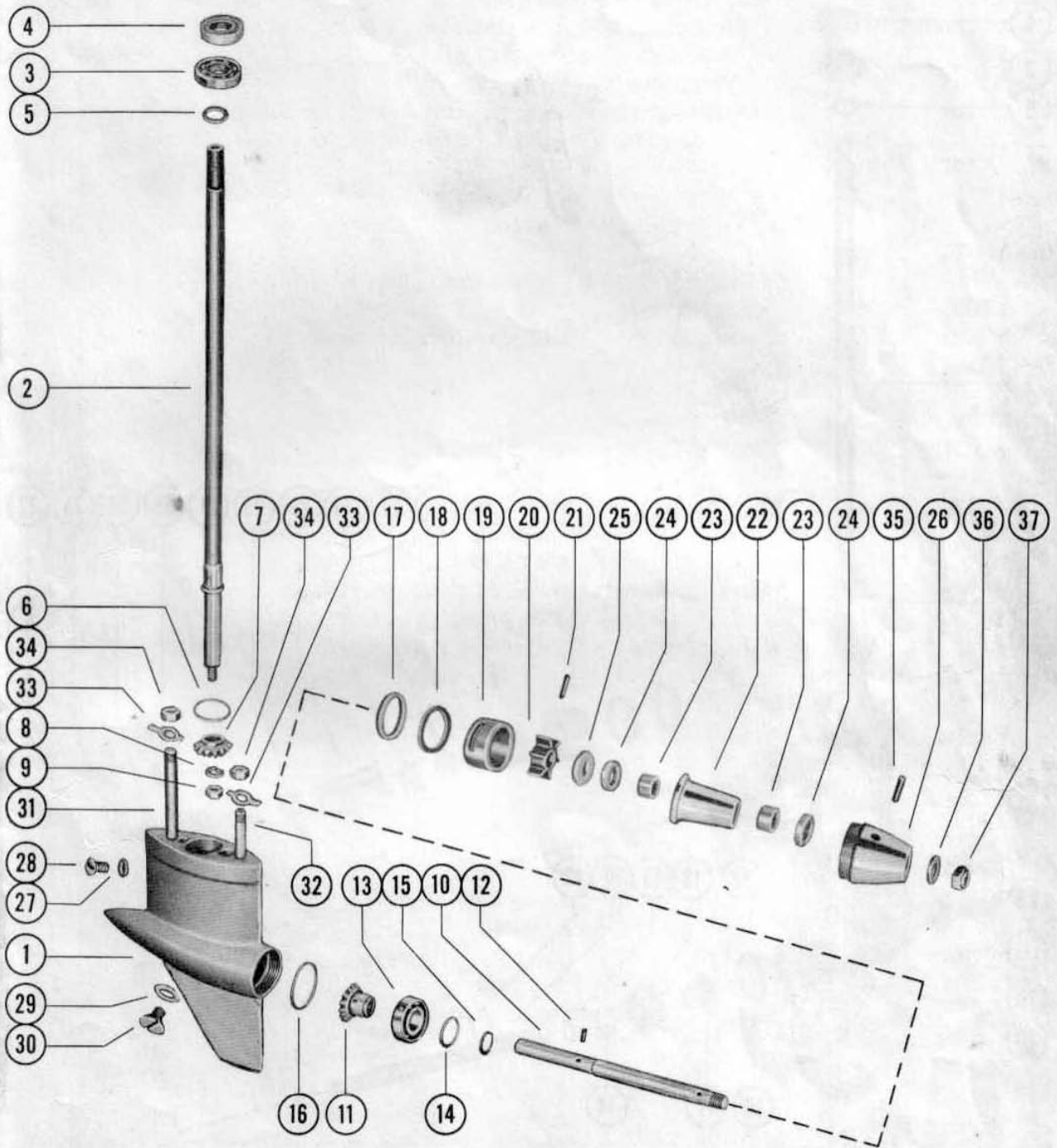
GEAR HOUSING ASSEMBLY



GEAR HOUSING ASSEMBLY

PART NO.	REF. NO.	DESCRIPTION	MK55H	MK55H
				-1
1603-1148A2	-	Gear Housing Assembly, Complete	1	1
1603-1148A1	1	Gear Housing Assembly	1	1
31-20790	-	Bearing, roller - propeller and drive shaft	2	2
10-25853	-	Plug, headless	1	1
16-24585	31	Stud, gear housing to drive shaft housing (long)	1	1
16-20313	32	Stud, gear housing to drive shaft housing (short)	1	1
45-25681	2	Drive Shaft	1	1
30-21776	3	Bearing, ball - drive shaft	1	1
25842A1	4	Pilot and Oil Seal Assembly	1	1
26-26782	5	Oil Seal	1	1
15-21887	-	Shim, ball bearing to drive shaft (.003-5-10)	AR	AR
15-21886	6	Shim, ball bearing to gear housing and pilot (.002-3-5-10)	AR	AR
43-25736	7	Gear, pinion	1	1
14-20806	-	Tab Washer, pinion gear screw	1	1
10-20807	-	Screw, pinion gear to drive shaft	1	1
44-21897	10	Shaft, propeller	1	1
43-25722	11	Gear, propeller	1	1
17-21156	12	Pin, propeller gear to shaft	1	1
30-21889	13	Bearing, ball - propeller shaft	1	1
15-21158	14	Shim, propeller gear bearing to snap ring (.003-5-10)	AR	AR
53-21159	15	Ring, snap - ball bearing to propeller gear	1	1
15-21884	16	Shim, prop shaft bearing to gear housing (.002-3-5-10)	AR	AR
15-21884	16	Shim, prop shaft bearing to gear housing (.031)	2	2
12-21890	17	"L" Washer, sealing - water pump cartridge	1	1
42-21891	18	Seal, rubber - water pump cartridge	1	1
46-21892A1	19	Water Pump Cartridge Assembly	1	1
26-21589	--	Oil Seal	1	1
17-20375	--	Pin, groove	1	1
47-21893	20	Impeller, water pump	1	1
28-20946	21	Key, impeller drive	1	1
46-21587A1	22	Water Pump Cover Assembly	1	1
31-22640	23	Bearing, roller	2	2
26-21589	24	Oil Seal	2	2
21591	25	Plate, cover	1	1
21590	26	Cover, gear housing	1	1
12-20262	27	Washer, gear housing vent screw	1	1
10-28653	28	Screw, gear housing vent	1	1
12-20260	29	Washer, grease filler hole screw	1	1
10-28634	30	Screw, grease filler hole	1	1
12-20413	33	Washer, gear housing studs	2	2
11-25269	34	Nut, gear housing studs	2	2
17-21898	35	Pin, shear	1	1
12-21901	36	Washer, propeller nut	1	1
11-21899	37	Nut, propeller	1	1

GEAR HOUSING ASSEMBLY



FUEL TANK ASSEMBLY

PART NO.	REF. NO.	DESCRIPTION	MK30H	MK30H	MK55H	MK55H
				-1		-1
1203-335A6	1	Fuel Tank Assembly	1	1	1	1
1203-335A2	-	Fuel Tank and Cap Assembly	1	1	1	1
12-24798	2	Washer, drain plug screw	1	1	1	-
10-24799	3	Screw, drain plug	1	1	1	-
37-28698	4	Decal, fuel tank	1	1	1	1
36-22222A2	5	Filler Cap Assembly	1	1	1	1
27-22851	6	Gasket, filler cap to tank	1	1	1	1
53-22220	7	"E" Ring, spring retaining	1	1	1	-
12-22226	8	Washer, vent screw spring	1	1	1	-
11-28587	-	Washer, vent screw spring	-	-	-	1
24-22227	9	Spring, vent screw	1	1	1	1
27-22225	10	Gasket, vent screw	1	1	1	1
22228	--	Baffle, vent screw	1	1	1	1
10-22224	11	Screw, vent - filler cap	1	1	1	1
25426A2	12	Primer Bulb and Fuel Line Assembly	1	1	1	1
32-22331A2	13	Fuel Line Pickup Assembly	1	1	1	1
22831A1	14	Check Unit Assembly, fuel line	1	1	1	1

PROPELLERS (Not Standard Equipment)

Mark 30H		
48-25844	Propeller	"C" Hydro
48-25845	Propeller	"C" Utility
48-26003-C	Propeller	Carburetor Adjusting
Mark 55H		
●48-29468	Propeller	"D" Hydro
48-24588	Propeller	"D" Utility
48-26003-D	Propeller	Carburetor Adjusting

ACCESSORIES

Gasket Set (Motor Overhaul) Mark 30H & 30H-1.	27-25935
Gasket Set (Motor Overhaul) Mark 55H.	27-25961
Gasket Set (Motor Overhaul) Mark 55H-1.	●27-29369
Decal Set Mark 30H	37-25554
Decal Set Mark 30H-1	37-28433
Decal Set Mark 55H	37-25615
Decal Set Mark 55H-1 (Colored Motors)	37-28988
Decal Set Mark 55H-1 (White Motors)	39-28989
Decal Solution (Pint Bottle).	92-25143
Gasket & Packing Set (Carburetor AJ-51A).	1399-1145
Repair Parts Kit (Carburetor AJ-51A).	1399-1146
Shipping Carton (Fuel Tank).	25037
Mark 30H & Mark 55H Parts List, Complete	90-26155