

80700 To 80797
81700 To 81797

Illustrated Parts List

MODEL SERIES

80700 To 80797

TYPE NUMBERS

0010 to 0045

0110 to 0177

944000 to 944272

81700 To 81797

TYPE NUMBERS

0110 to 0172

944500 to 944841

TO FIND

THE CORRECT NUMBER OF THE PART YOU NEED:

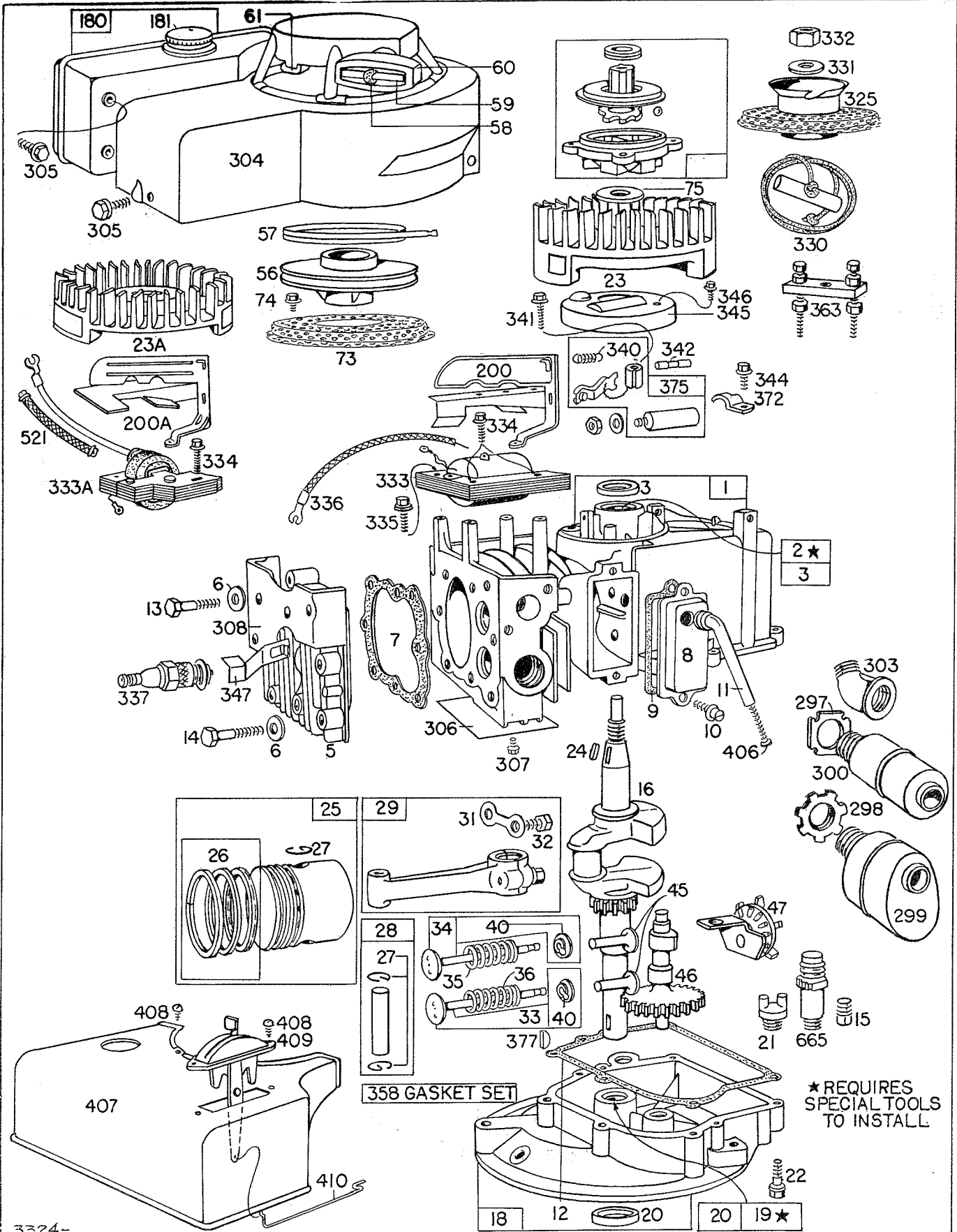
FOLLOW THE INSTRUCTIONS BELOW.

- A. Refer to Engine Model, Type and Serial Number that is stamped on the blower housing or name plate of engine. (Engine type numbers such as 943499 are listed complete. Engine type numbers such as 0147 01 are listed herein only as 0147. The two digits (01 or 02, etc.) to the right of the space are not needed for parts identification). Then use the Illustrated Parts List covering these Model Series.
- B. Refer to Illustrated Parts section and compare the old part with illustration. The number on the illustration is the Reference Number. Assemblies include all parts shown in frames. All parts shown in assembly frames on which individual reference numbers are given can be purchased separately.
- C. After the Reference Number has been identified, refer to the Numerical Parts List, where Reference and Master Part Numbers are listed. **THE MASTER PART IS USED ON ALL TYPE NUMBERS EXCEPT THOSE TYPE NUMBERS UNDER "NOTE"**
- D. If a "Note" appears below the Master Part Number, this means that this part differs from the Master Part for certain types. If the Type Number is listed under "Note", order the part referred to.
- E. If the Engine Type Number does not appear after any part number listed under "Note", use the Master Part Number.
- F. For Type Numbers higher than those covered by this book, please refer to the factory if you are unable to identify the part by comparison.

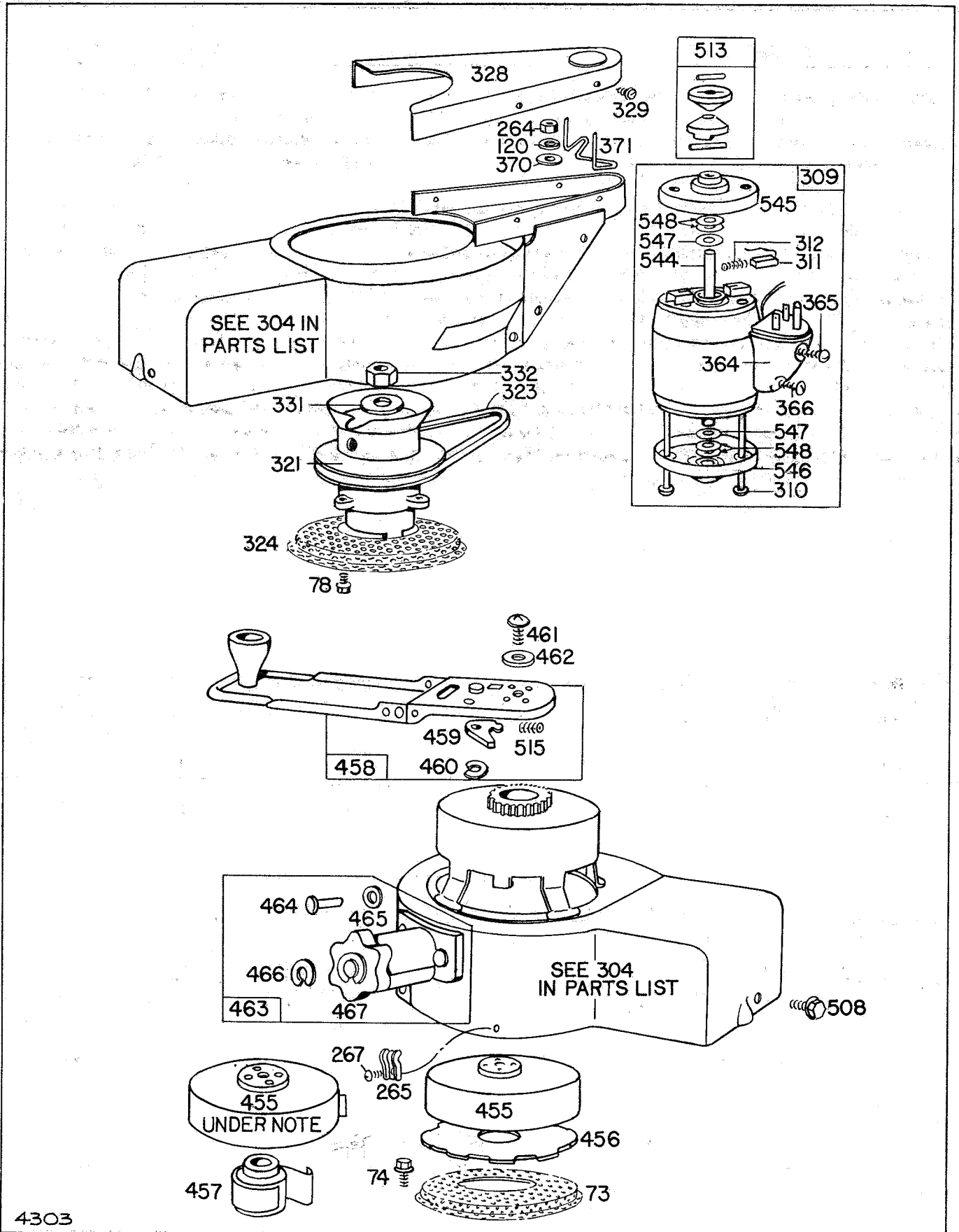
PRINTED IN U.S.A.



80700 To 80797
81700 To 81797



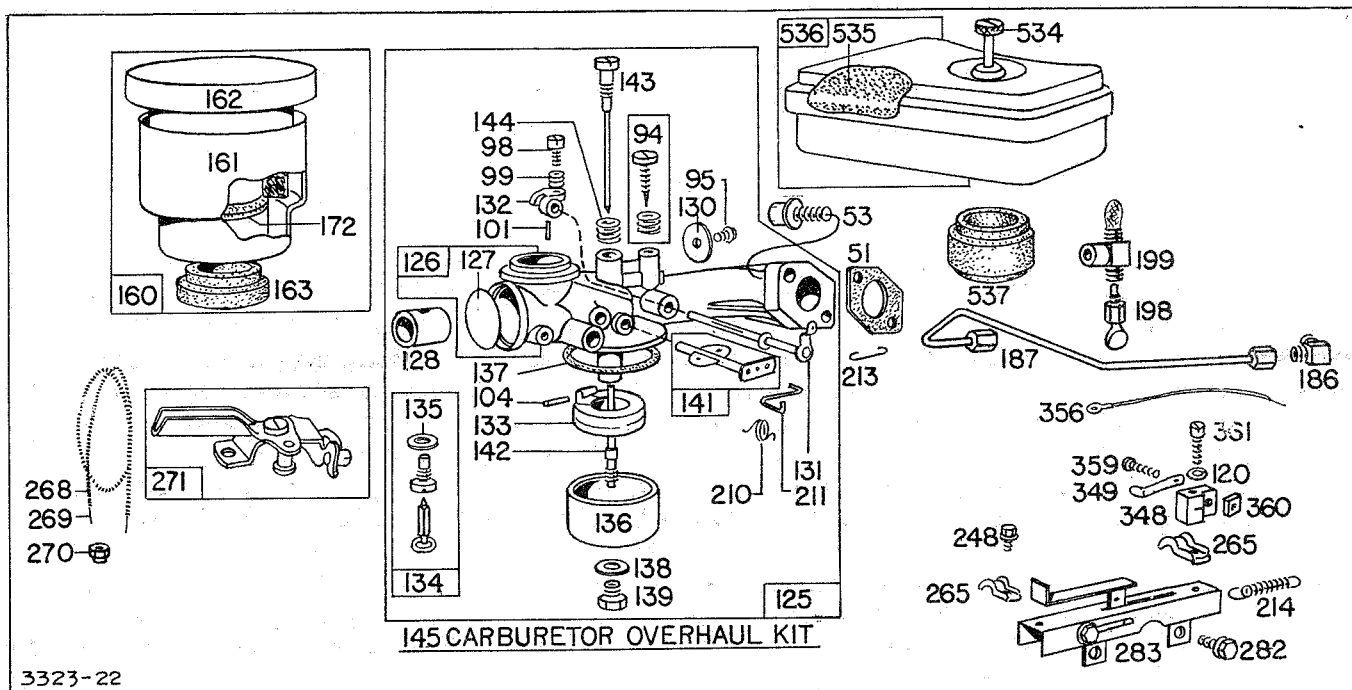
Assemblies include all parts shown in frames.



4303

Assemblies include all parts shown in frames.

80700 To 80797
81700 To 81797



3323-22

Assemblies include all parts shown in frames.

REF. NO.	PART NO.	DESCRIPTION	REF. NO.	PART NO.	DESCRIPTION	REF. NO.	PART NO.	DESCRIPTION
1	295450	Cylinder Assembly Used on Model 80700, 80790 Series. Note: 296094 Cylinder Assy. Used on type Nos. 0149, 944143, 944186.	6	22963	Washer—Plain	15	91084	Plug—Oil Drain Note: 92738 Plug—Oil Drain (Magnetic) Used on Model 80700 Series type Nos. 0149, 944143, 944168
	296802	Cylinder Assembly Used on Model 81700 to 81790 Series.	7	*27670	Gasket—Cylinder Head Note: Two 27670 Cylinder Head Gaskets are used on Model Series type No. 944060.		93418	Plug—Oil Drain (Hex. Socket Head) Used on Model 80700 Series type Nos. 0016, 0017, 0131, 0144, 0146, 0147, 0150, 0153, 0158, 0161, 0173, 0174, 944015, 944017, 944024, 944025, 944046, 944060, 944063, 944107, 944119, 944136, 944192, 944194, 944217, 944218, 944221, 944238, 944241, 944242,
2	293708	Bushing—Cylinder Note: Requires special tools for installation.	8	292833	Breather—Valve Chamber			
3	89660	Seal—Oil	9	*27549	Gasket—Valve Cover			
5	210812	Head—Cylinder Note: 210623 Head—Cylinder Used on Model 80700 Series type No. 944060. 295053 Head — Cylinder Used on Model 80700 Series type No. 944143.	10	93394	Screw—Breather Mounting Sem			
			11	66698	Tube—Breather			
			12	*27586	Gasket—Crankcase— .015" thick (standard)			
				*27617	Gasket—Crankcase— .005" thick			
				*27618	Gasket—Crankcase— .009" thick			
			13	91386	Screw—Cylinder Head (2" long)			
			14	92674	Screw—Cylinder Head (2-3/8" long)			

* Included in Gasket Set—
Part No. 297275.

REF. NO.	PART NO.	DESCRIPTION	REF. NO.	PART NO.	DESCRIPTION	REF. NO.	PART NO.	DESCRIPTION
		944255; also used on Model 81700 Series type Nos. 0131, 0132, 0143, 0144, 0151, 0169, 944525, 944528, 944596, 944620, 944645, 944655, 944656, 944676, 944689, 944695, 944697, 944714, 944717, 944718, 944721, 944722, 944727, 944726, 944746, 944747, 944753, 944776, 944793, 944798, 944802, 944806, 944807, 944815, 944816, 944833, 944840.			Model 81700 Series type Nos. 0151, 0169, 944558, 944655, 944724, 944840.			944644, 944664, 944666, 944670, 944682, 944710, 944713, 944738, 944741, 944743, 944746, 944755, 944756, 944759, 944784, 944796, 944801, 944803, 944811, 944821, 944836, 944834.
16	260124	Crankshaft			260096 Crankshaft Used on Model 80700 Series type Nos. 0016, 0031, 0151, 0159, 0161, 0162, 0165, 0169, 0172, 944016, 944019, 944024, 944033, 944049, 944050, 944054, 944055, 944065, 944077, 944078, 944083, 944103, 944115, 944116, 944121, 944122, 944124, 944127, 944129, 944130, 944131, 944134, 944137, 944139, 944140, 944142, 944150, 944155, 944158, 944161, 944162, 944179, 944181, 944183, 944191, 944195, 944200, 944201, 944202, 944203, 944204, 944207, 944211, 944215, 944219, 944222, 944223, 944224, 944244, 944246, 944251, 944252, 944254, 944258, 944260, 944262, 944263, 944264; also used on Model 81700 Series type Nos. 0150, 0165, 944515, 944519, 944533, 944556, 944557, 944561, 944571, 944572, 944575, 944584, 944595, 944598, 944600, 944609, 944610, 944633, 944638, 944641,			260097 Crankshaft Used on Model 80700 Series type Nos. 0017, 944025, 944032, 944039, 944086, 944094, 944096, 944097, 944173, 944190, 944256; also used on Model 81700 Series type Nos. 944518, 944520, 944547, 944548, 944592, 944599, 944627, 944637, 944681, 944702, 944703, 944725, 944736, 944747, 944754, 944760.
	Note:	260083 Crankshaft Used on Model 81700 Series type No. 944636.						260098 Crankshaft Used on Model 80700 Series type Nos. 0020, 0118, 0143, 0148, 0154, 0155, 0156, 0158, 0166, 0171, 944028, 944081, 944159, 944163, 944214, 944232, 944248, 944259, 944266, 944267, 944268, 944269; also used on Model 81700 Series type Nos. 0118, 0141, 0158, 944550, 944559, 944568, 944594, 944611, 944612, 944613, 944618, 944639, 944650, 944657, 944658, 944660, 944663,
		260091 Crankshaft Used on Model 80700 Series type Nos. 0010, 0110, 944010, 944012, 944017, 944022, 944060, 944145, 944153, 944212, 944226; also used on Model 81700 Series type Nos. 0110, 944510, 944512, 944617, 944635, 944727, 944737, 944765, 944794, 944827, 944829.						
		260092 Crankshaft Used on Model 80700 Series type Nos. 0176, 944064, 944102; also used on Model 81700 Series type No. 944532.						
		260094 Crankshaft Used on Model 80700 Series type No. 944020; also used on						

80700 To 80797
81700 To 81797

REF. NO.	PART NO.	DESCRIPTION	REF. NO.	PART NO.	DESCRIPTION	REF. NO.	PART NO.	DESCRIPTION	
		944677, 944689, 944692, 944695, 944708, 944709, 944726, 944728, 944731, 944733, 944742, 944744, 944749, 944758, 944770, 944774, 944797, 944804, 944808, 944817, 944818, 944828, 944832.			944706, 944721, 944730, 944750, 944763, 944806, 944810, 944819, 944820, 944823, 944831, 944838, 944839.			Used on Model 80700 Series type Nos. 0041, 0043, 944030, 944038, 944041, 944048, 944120, 944197, 944220, 944242; also used on Model 81700 Series type Nos. 0133, 0134, 0137, 0160, 944516, 944523, 944538, 944569, 944581, 944629, 944643, 944648, 944649, 944661, 944691, 944694, 944707, 944712, 944729, 944735, 944751, 944752, 944761, 944807, 944813, 944816, 944837.	
		260099 Crankshaft Uses: 220708 Shim- Crankshaft Thrust Used on Model 80700 Series type Nos. 0040, 0044, 0127, 0133, 0135, 0136, 0137, 0138, 0170, 944014, 944018, 944029, 944043, 944056, 944063, 944076, 944098, 944100, 944108, 944111, 944113, 944117, 944123, 944132, 944151, 944156, 944166, 944167, 944169, 944172, 944186, 944189, 944198, 944265, 944270, 944271; also used on Model 81700 Series type Nos. 0127, 0153, 0162, 0163, 0168, 0170, 944514, 944534, 944540, 944542, 944545, 944554, 944578, 944582, 944586, 944587, 944593, 944597, 944606, 944620, 944632, 944647, 944651, 944652, 944669, 944671, 944672, 944673, 944675, 944686, 944687, 944700,			260133 Crankshaft Used on Model 80700 Series type Nos. 944040, 944059, 944148, 944187, 944188, 944205; also used on Model 81700 Series type Nos. 944795, 944800.				
					260159 Crankshaft Used on Model 80700 Series type No. 944080; also used on Model 81700 Series type Nos. 944579, 944580, 944589, 944604, 944621, 944624.			260234 Crankshaft Used on Model 80700 Series type No. 944051; also used on Model 81700 Series type No. 944776.	
					260197 Crankshaft Used on Model 80700 Series type Nos. . 944072, 944090; also used on Model 81700 Series type Nos. 944570, 944642.			260235 Crankshaft Used on Model 80700 Series type Nos. 0149, 0173, 944107, 944143, 944168, 944231, 944247, 944253; also used on Model 81700 Series type Nos. 0144, 0152, 944549, 944565, 944588, 944602, 944699, 944718, 944762, 944802, 944809, 944836.	
					260207 Crankshaft Used on Model 80700 Series type Nos. 944034, 944036.			260241 Crankshaft Uses: 220708 Shim- Crankshaft Thrust Used on Model 80700 Series type No. 944047; also used on Model 81700 Series type No. 944531.	
					260214 Crankshaft Used on Model 80700 Series type No. 944088.			260224 Crankshaft Uses: 220708 Shim- Crankshaft Thrust	

REF. NO.	PART NO.	DESCRIPTION	REF. NO.	PART NO.	DESCRIPTION	REF. NO.	PART NO.	DESCRIPTION
	260319	Crankshaft Used on Model 80700 Series type Nos. 0153, 944089, 944192, 944238.		260451	Crankshaft Used on Model 80700 Series type No. 944144; also used on Model 81700 Series type No. 944674.	19	293709	Bushing—Oil Sump Requires special tools for installation. Note: No bushings are avail- able for Model 80790, 81790 Series.
	260390	Crankshaft Used on Model 81700 Series type Nos. 944526, 944528.	18	293512	Sump—Oil Note: 293597 Sump—Oil Used on Model 80700 Series type Nos. 0144, 0147, 0153, 0158, 0161, 0173, 944060, 944118, 944119, 944136, 944192, 944194, 944238, 944255; also used on Model 81700 Series type Nos. 0151, 0169, 944645, 944646, 944655, 944656, 944724, 944726, 944840.	20	291841	Seal—Oil Note: 294167 Seal—Oil (Crankshaft—P. T. O. Side) 294160 Seal—Oil (For 3/4" dia. Auxiliary Drive Shaft) Used on Model 80790 to 80797 and 81790 to 81797 Series. 294167 Seal—Oil (Crankshaft—P. T. O. side) 298041 Seal—Oil (For 1/2" dia. Auxiliary Drive Shaft) Used on Model 80790 to 80797 and 81790 to 81797 Series.
	260393	Crankshaft Uses: 220708 Shim— Crankshaft Thrust Used on Model 81700 Series type No. 944543.		294231	Sump—Oil Used on Model 80790 to 80797 and 81790 to 81797 Series with 3/4" dia. Auxiliary P. T. O. Shaft --- To replace Sump on these Model Series with a 1/2" dia. Auxiliary P. T. O. Shaft order No. 298280.	21	66768	Plug—Oil Filler
	260400	Crankshaft Used on Model 80700 Series type No. 944230; also used on Model 81700 Series type Nos. 944562, 944563.		295032	Sump—Oil Used on Model 81700 Series type Nos. 944546, 944806, 944807.	22	93032	Screw—Sump Mtg. Sem
	260402	Crankshaft Uses: 220708 Shim— Crankshaft Thrust Used on Model 81700 Series type Nos. 944564, 944585.		295041	Sump—Oil Used on Model 80700 Series type No. 944259; also used on Model 81700 Series type Nos. 944708, 944709, 944719, 944722, 944770, 944804, 944815, 944817, 944818, 944832.	23	293205	Flywheel—Magneto (Used before Serial No. 6212310) Note: 295936 Flywheel— Magneto Used on all Model 80700 Series type Nos. 0149, 944143, 944168; also used before Serial No. 6212310 on type Nos. below. On and after this serial num- ber, part number 296884 must be used on these type Nos. 944016, 944020, 944025, 944028, 944032, 944037, 944054, 944081, 944083, 944084, 944086, 944091, 944094, 944096, 944097, 944107, 944128, 944130,
	260405	Crankshaft Used on Model 81700 Series type Nos. 944573, 944574, 944659.						
	260411	Crankshaft Used on Model 80700 Series type Nos. 0146, 0147, 944118, 944119, 944136, 944217, 944255; also used on Model 81700 Series type Nos. 944645, 944646, 944656, 944793.						
	260416	Crankshaft Used on Model 80700 Series type No. 944101.						
	260426	Crankshaft Used on Model 80700 Series type Nos. 944133, 944135.						

80700 To 80797
81700 To 81797

REF. NO.	PART NO.	DESCRIPTION	REF. NO.	PART NO.	DESCRIPTION	REF. NO.	PART NO.	DESCRIPTION	
		944145, 944159, 944162, 944175, 944176, 944179, 944180, 944181, 944183, 944190, 944192, 944193, 944226, 944227, 944231, 944233, 944238, 944241, 944242; also used on Model 81700 Series type Nos. 944516, 944520, 944529, 944530, 944531, 944547, 944548, 944550, 944561, 944575, 944599, 944608, 944611, 944612, 944613, 944627, 944631, 944639, 944650, 944655, 944657, 944660, 944677, 944681, 944689, 944692, 944695, 944696, 944701, 944702, 944703, 944704, 944707, 944708, 944709, 944715, 944716, 944718, 944722, 944724, 944726, 944727, 944728, 944731, 944736, 944747, 944749, 944753, 944768, 944769, 944770, 944774, 944776, 944792, 944797, 944802, 944804, 944806, 944807, 944813, 944815, 944816, 944817, 944818.			0158, 0159, 0160, 0161, 0166, 0167, 0171, 0172, 0173, 0175, 0176, 944259; also used on Model 81700 Series type Nos. 0132, 0144, 0151, 0158, 0159, 0160, 0161, 0165, 0169, 0171, 944832, 944834, 944835, 944836, 944837, 944840.				210472 Ring, Piston, Compression, Center 210473 Ring, Piston, Oil 294224 Ring Set—.010" O.S. Piston Consists of: 210490 Ring, Piston, Compression, Top, .010" O.S. 210489 Ring, Piston, Compression, Center .010" O.S. 210491 Ring, Piston, Oil, .010" O.S. 294225 Ring Set—.020" O.S. Piston Consists of: 210493 Ring, Piston, Compression, Top, .020" O.S. 210492 Ring, Piston, Compression, Center .020" O.S. 210494 Ring, Piston, Oil, .020" O.S. 294226 Ring Set—.030" O.S. Piston Consists of: 210496 Ring, Piston, Compression, Top, .030" O.S. 210495 Ring, Piston, Compression, Center .030" O.S. 210497 Ring, Piston, Oil, .030" O.S.
23A	297949	Flywheel—Magneto (Used on and after Serial No. 6212310) Note: 296884 Flywheel— Magneto Used on Model 80700 Series type Nos. 0017, 0020, 0153,	24	61760	Key—Flywheel				
			25	295587	Piston Assy.—Std. Used on Model 80700, 80790 Series. Note: 295455 Piston Assy.— Standard Used on Model 81700, 81790 Series.				
				295588	Piston Assy.— .010" O.S. Used on Model 80700, 80790 Series. Note: 295456 Piston Assy.— .010" O.S. Used on Model 81700, 81790 Series.				
				295589	Piston Assy.— .020" O.S. Used on Model 80700, 80790 Series. Note: 295457 Piston Assy.— .020" O.S. Used on Model 81700, 81790 Series.				
				295590	Piston Assy.— .030" O.S. Used on Model 80700, 80790 Series. Note: 295458 Piston Assy.— .030" O.S. Used on Model 81700, 81790 Series.				
			MODEL 80700, 80790 SERIES						
			RING SETS:						
			26	294232	Ring Set—Std. Piston Consists of: 210471 Ring, Piston, Compression, Top			295657 Ring Set—Std. Piston Consists of: 210796 Ring, Piston, Comp., Top, Std. 210797 Ring, Piston, Comp., Center, Std. 295661 Ring, Oil (with expander), Std. 295658 Ring Set—.010" O.S. Piston Consists of:	

REF. NO.	PART NO.	DESCRIPTION	REF. NO.	PART NO.	DESCRIPTION	REF. NO.	PART NO.	DESCRIPTION
		210799 Ring, Piston, Compression, Top, .010" O. S.	34	296677	Valve—Intake			944030, 944047, 944048; also used on Model 81700 Series type Nos. 944523, 944538, 944545, 944564, 944569, 944578, 944751.
		210798 Ring, Piston, Compression, Center, .010" O. S.		Note:	230101 Valve—Intake Used on Model 80700 Series type Nos. 0149, 944143, 944168.			
		295662 Ring, Oil (with expander), .010" O. S.	35	260552	Spring—Intake Valve			
295659		Ring Set—.020" O. S. Piston Consists of:	36	26478	Spring—Exhaust Valve			210804 Gear—Cam (3/4" dia. Shaft P. T. O. end) Used on Model 80790 to 80797 and 81790 to 81797 Series ---- For 1/2" dia. P. T. O. end Cam Gear for these Model Series ---- order No. 211337.
		210801 Ring, Piston, Compression, Top, .020" O. S.		Note:	26826 Spring—Exhaust Valve Used on Model 80700 Series type Nos. 0149, 944143, 944168.			
		210800 Ring, Piston, Compression, Center, .020" O. S.	40	93312	Retainer—Valve Spring (Used with Valves with groove in Stem)			
		295663 Ring, Oil (with expander), .020" O. S.		Note:	23184 Retainer—Valve Spring 23187 Pin—Valve Spring Retainer Used with Valves with hole in Stem.	47	294652	Oil Slinger Gear and Bracket Note: 294718 Oil Slinger Gear and Bracket Used on Model 80790 to 80797 and 81790 to 81797 Series with 3/4" dia. Auxiliary P. T. O. Shaft ---- For these Model Series with 1/2" dia. Auxiliary P. T. O. Shaft use Part 294652.
295660		Ring Set—.030" O. S. Piston Consists of:			292259 Rotocap—Exhaust Valve Used on Model 80700 Series type Nos. 0149, 944143, 944168. Uses: 230126 Pin—Exhaust Valve Rotocap Retainer 230127 Retainer—Exhaust Valve Rotocap	51	27355	Gasket—Carburetor Mounting
		210803 Ring, Piston, Compression, Top, .030" O. S.	45	230173	Tappet—Valve	53	93353	Screw—Carburetor Mounting
		210802 Ring, Piston, Compression, Center, .030" O. S.	46	210453	Gear—Cam	56	294088	Pulley—Rewind Starter
		295664 Ring, Oil (with expander), .030" O. S.		Note:	210443 Gear—Cam Used on Model 80700 Series type Nos. 944018, 944029, 944038, 944056, 944063, 944196; also used on Model 81700 Series type Nos. 944524, 944534, 944540, 944542, 944543, 944546, 944554, 944582, 944750.	57	294303	Spring—Rewind Starter
27	26026	Lock—Piston Pin			210549 Gear—Cam Used on Model 80700 Series type Nos.	58	294584	Rope—Rewind Starter—47-1/8" long Note: If longer rope is needed, order No. 66514 and cut to required length.
28	298909	Pin Assy.—Piston—Standard				59	230228	Pin—Starter Rope
	298908	Pin Assy.—Piston—.005" O. S.				60	66728	Grip—Starter Rope
29	294201	Rod Assy.—Connecting				61	68618	Bumper—Starter Pulley
31	220756	Lock—Connecting Rod Screw				66	298310	Clutch Assy.—Rewind and Wind-Up Starter Used after Serial No. 6405220. Note: 296468 Clutch Assy.—Rewind and Wind-Up Starter
32	92296	Screw—Connecting Rod						
33	296676	Valve—Exhaust (Grooved Stem—Includes Retainer) Note: 260075 Valve—Exhaust (with Hole in Stem—used with No. 292259 Rotocap—see Ref. No. 40) Used on Model 80700 Series type Nos. 0149, 944143, 944168.						

REF. NO.	PART NO.	DESCRIPTION	REF. NO.	PART NO.	DESCRIPTION	REF. NO.	PART NO.	DESCRIPTION	
		Used before Serial No. 6405250.	78	93014	Screw—Pulley Screen Mounting Sem			944150, 944153, 944154, 944158, 944160, 944163, 944164, 944166, 944170, 944176, 944178, 944179, 944180, 944181, 944183, 944184, 944196, 944202, 944205, 944207, 944209, 944210, 944218, 944223, 944226, 944229, 944231; also used on Model 81700 Series type Nos. 0110, 0115, 0118, 0128, 0131, 0132, 0135, 0136, 0137, 0143, 0144, 0149, 0151, 0156, 0157, 0160, 0161, 0171, 944510, 944511, 944512, 944514, 944524, 944541, 944542, 944543, 944556, 944561, 944564, 944565, 944571, 944574, 944575, 944577, 944585, 944587, 944588, 944589, 944597, 944599, 944600, 944601, 944603, 944609, 944613, 944627, 944630, 944631, 944632, 944633, 944634, 944637, 944639, 944646, 944647, 944650, 944655, 944657, 944659, 944661, 944663, 944666, 944675, 944676, 944679, 944680, 944681, 944683, 944684, 944686, 944689, 944692, 944693, 944695, 944696, 944697,	
67	211383	Housing—Starter Clutch Used after Serial No. 6405220. Note: 210400 Housing—Starter Note: 210400 Housing—Starter Clutch Used before Serial No. 6405250.	94	† 292681	Valve Assembly—Carburetor Idle				
			95	93038	Screw—Choke and Throttle Valve Mtg. Sem				
			98	91920	Screw—Machine, Fill. Hd.—8-32 x 5/8"				
			99	† 26157	Spring—Throttle Adjustment				
68	63770	Ball—Clutch	101	93043	Pin—Throttle Stop				
70	298436	Ratchet—Rewind and Wind-Up Starter Used after Serial No. 6405220. Note: 296597 Ratchet—Rewind and Wind-Up Starter Used before Serial No. 6405250.	104	† 23114	Pin—Float Hinge				
			120	92290	Washer—Lock—No. 10 x 1/16 x 3/64"				
			125	294716	Carburetor Assy. (Choke-A-Matic) Note: 294713 Carburetor Assy. (Manual Choke) Used on Model 80700 Series type Nos. 0010, 0015, 0016, 0017, 0018, 0020, 0040, 0041, 0042, 0110, 0115, 0118, 0128, 0133, 0136, 0142, 0143, 0158, 0159, 0160, 0166, 0167, 0171, 0172, 0173, 0176, 944019, 944011, 944012, 944014, 944016, 944020, 944022, 944023, 944024, 944025, 944026, 944028, 944029, 944030, 944032, 944035, 944037, 944038, 944040, 944041, 944047, 944051, 944060, 944063, 944064, 944075, 944078, 944083, 944087, 944090, 944091, 944094, 944110, 944112, 944116, 944118, 944128, 944134, 944138, 944141, 944143, 944145,				
71	221653	Washer—Clutch Retainer Used after Serial No. 6405220. Note: 221301 Washer—Clutch Retainer (Used with square shank ratchet) Used before Serial No. 6405250.							
72	26032	Spring—Clutch Retainer Used before Serial No. 6405250.							
73	221661	Screen—Rotating Used after Serial No. 6405220. Note: 220648 Screen—Rotating Used before Serial No. 6405250.							
74	93042	Screw—Rotating Screen Mounting Sem							
75	220865	Washer—Spring (Used to lock Starter Clutch)							
76	68238	Washer—Ratchet Sealing							

† Included in Carburetor Overhaul Kit—Part No. 294714.

REF. NO.	PART NO.	DESCRIPTION	REF. NO.	PART NO.	DESCRIPTION	REF. NO.	PART NO.	DESCRIPTION
		944701, 944704, 944707, 944708, 944709, 944715, 944716, 944718, 944722, 944723, 944724, 944726, 944731, 944732, 944734, 944735, 944737, 944746, 944747, 944748, 944749, 944750, 944751, 944753, 944765, 944767, 944768, 944769, 944770, 944774, 944776, 944782, 944785, 944786, 944788, 944790, 944791, 944795, 944797, 944799, 944800, 944803, 944804, 944805, 944807, 944808, 944813, 944823, 944830, 944833, 944836, 944837.			944047, 944051, 944060, 944063, 944064, 944075, 944078, 944083, 944087, 944090, 944091, 944094, 944110, 944112, 944116, 944118, 944128, 944134, 944138, 944141, 944143, 944145, 944150, 944153, 944154, 944158, 944160, 944163, 944164, 944166, 944170, 944176, 944178, 944179, 944180, 944181, 944183, 944184, 944196, 944202, 944205, 944207, 944209, 944210, 944218, 944223, 944226, 944229, 944231; also used on Model 81700 Series type Nos. 0110, 0115, 0118, 0128, 0131, 0132, 0135, 0136, 0137, 0143, 0144, 0149, 0151, 0156, 0157, 0160, 0161, 0171, 944510, 944511, 944512, 944514, 944524, 944541, 944542, 944543, 944556, 944561, 944564, 944565, 944571, 944574, 944575, 944577, 944585, 944587, 944588, 944589, 944597, 944599, 944600, 944601, 944603, 944609, 944613, 944627, 944630, 944631, 944632, 944633, 944634, 944637, 944639, 944646,			944647, 944650, 944655, 944657, 944659, 944661, 944663, 944666, 944675, 944676, 944679, 944680, 944681, 944683, 944684, 944686, 944689, 944692, 944693, 944695, 944696, 944697, 944701, 944704, 944707, 944708, 944709, 944715, 944716, 944718, 944722, 944723, 944724, 944726, 944731, 944732, 944734, 944735, 944737, 944746, 944747, 944748, 944749, 944750, 944751, 944753, 944765, 944767, 944768, 944769, 944770, 944774, 944776, 944782, 944785, 944786, 944788, 944790, 944791, 944795, 944797, 944799, 944800, 944803, 944804, 944805, 944807, 944808, 944813, 944823, 944830, 944833, 944836, 944837.
126	294717	Body Assy.—Carb. (Choke-A-Matic) Note: 294712 Body Assy.— Carb. (Manual Choke) Used on Model 80700 Series type Nos. 0010, 0015, 0016, 0017, 0018, 0020, 0040, 0041, 0042, 0110, 0115, 0118, 0128, 0133, 0136, 0142, 0143, 0158, 0159, 0160, 0166, 0167, 0171, 0172, 0173, 0176, 944010, 944011, 944012, 944014, 944016, 944020, 944022, 944023, 944024, 944025, 944026, 944028, 944029, 944030, 944032, 944035, 944037, 944038, 944040, 944041,						
						127	† 220751	Plug—Welch
						128	210528	Venturi—Carburetor
						129	23230	Bushing—Throttle Shaft
						130	220791	Valve—Throttle
						131	294437	Shaft and Lever Assy.—Throttle
						132	61967	Stop—Throttle
						133	293477	Float—Carburetor
						134	† 293478	Valve and Seat— Fuel Inlet
						135	† 68877	Gasket—Fuel Inlet Seat
						136	220761	Bowl—Float
						137	† 27682	Gasket—Float Bowl

† Included in Carburetor Overhaul
Kit—Part No. 294714.

REF. NO.	PART NO.	DESCRIPTION	REF. NO.	PART NO.	DESCRIPTION	REF. NO.	PART NO.	DESCRIPTION
138	†221172	Washer—Float Bowl Mounting		944160, 944163, 944164, 944166,			944709, 944715,	
139	93086	Screw—Carburetor Bowl Mounting		944170, 944176, 944178, 944179,			944716, 944718,	
141	297024	Valve, Shaft and Lever Assy.—Choke (Choke-A-Matic)		944180, 944181, 944183, 944184,			944722, 944723,	
	Note:	294874 Valve, Shaft and Lever Assy.—Choke (Manual Choke)		944196, 944202, 944205, 944207,			944724, 944726,	
		Uses: 23270 Screw—Choke Lever		944209, 944210, 944218, 944223,			944731, 944732,	
		26229 Spring—Choke Lever		944226, 944229,			944734, 944735,	
		220886 Valve—Choke		944231; also used on Model 81700 Series			944737, 944746,	
		220899 Washer		type Nos. 0110, 0115, 0118, 0128,			944747, 944748,	
		Used on Model 80700 Series type Nos.		0131, 0132, 0135, 0136, 0137, 0143,			944749, 944750,	
		0010, 0015, 0016, 0017, 0018, 0020,		0144, 0149, 0151, 0156, 0157, 0160,			944751, 944753,	
		0040, 0041, 0042, 0110, 0115, 0118,		0161, 0171,			944765, 944767,	
		0128, 0133, 0136, 0142, 0143, 0158,		944510, 944511, 944512, 944514,			944768, 944769,	
		0159, 0166, 0167, 0171, 0172, 0173,		944524, 944541, 944542, 944543,			944770, 944774,	
		0176,		944556, 944561, 944564, 944565,			944776, 944782,	
		944010, 944011, 944012, 944014,		944571, 944574, 944575, 944577,			944785, 944786,	
		944016, 944020, 944022, 944023,		944585, 944587, 944588, 944589,			944788, 944790,	
		944024, 944025, 944026, 944028,		944597, 944599, 944600, 944601,			944791, 944795,	
		944029, 944030, 944032, 944035,		944603, 944609, 944613, 944627,			944797, 944799,	
		944037, 944038, 944040, 944041,		944630, 944631, 944632, 944633,			944800, 944803,	
		944047, 944051, 944060, 944063,		944634, 944637, 944639, 944646,			944804, 944805,	
		944064, 944075, 944078, 944083,		944647, 944650, 944655, 944657,			944807, 944808,	
		944087, 944090, 944091, 944094,		944659, 944661, 944663, 944666,			944813, 944823,	
		944110, 944112, 944116, 944118,		944675, 944676, 944679, 944680,			944830, 944833,	
		944128, 944134, 944138, 944141,		944681, 944683, 944684, 944686,			944836, 944837.	
		944143, 944145, 944150, 944153,		944689, 944692, 944693, 944695,				
		944154, 944158,		944696, 944697, 944701, 944704,				
				944707, 944708,				
						142	†294481	Nozzle—Carburetor
						143	†294473	Valve—Needle
						144	260256	Spring—Needle Valve
						145	294714	Carburetor Overhaul Kit
						160	294872	Cleaner Assy.—Air (with mounting stud)
						161	293991	Bowl—Air Cleaner
						162	294802	Cover and Filter—Air Cleaner (with mounting stud)
						163	*27660	Gasket—Air Cleaner Mounting
						172	27795	Gasket—Air Cleaner
						180	293514	Tank Assy.—Fuel
							Note:	290816 Tank Assy.—Fuel
								Used on Model 80700 Series type Nos. 944193, 944226.
								Uses: 221087 Bracket—Tank, Left Hand
								221088 Bracket—Tank, Right Hand

* Included in Gasket Set—Part No. 297275.

† Included in Carburetor Overhaul Kit—Part No. 294714.

REF. NO.	PART NO.	DESCRIPTION	REF. NO.	PART NO.	DESCRIPTION	REF. NO.	PART NO.	DESCRIPTION
		291367 Strap—Tank (2) Uses: 90970 Nut 91257 Screw			944762, 944763, 944802, 944809, 944810, 944824. 260715 Spring—Gov. (for 3200 to 3400 rpm top speed — no load) Used on and after Serial No. 6212310 on Model 80700 Series type Nos. 0019, 0021, 0030, 0031, 0040, 0043, 0044, 0140, 0141, 0149, 0150, 0153, 0158, 0162, 0165, 0168, 0169, 0170, 0171, 944168, 944220, 944228, 944230, 944236, 944238, 944239, 944245, 944257, 944260, 944263, 944264, 944265; also used on Model 81700 Series type Nos. 0147, 0152, 0153, 0154, 0155, 0159, 0165, 0167, 944562, 944720, 944762, 944763, 944802, 944809, 944810, 944822, 944824, 944834, 944835.			order No. 26099 and cut to required length
181	293270	Cap—Fuel Tank Note: 69221 Cap—Fuel Tank Used on Model 80700 Series type Nos. 944193, 944226.				270	63426	Locknut—Control Wire Casing
186	66111	Connector—Fuel Pipe				271	290568	Lever Assy.—Control
187	294539	Pipe—Fuel				282	93106	Screw—Speed Control Mounting Sem
198	293934	Valve—Fuel Shut-Off				283	294946	Control—Speed (Used with Choke-A-Matic remote control)
199	292797	Outlet—Fuel Tank (includes Strainer)				Note:	294817	Control—Speed (Manual Choke) Used on Model 80700 Series type Nos. 0010, 0015, 0016, 0017, 0018, 0020, 0040, 0041, 0042, 0110, 0115, 0118, 0128, 0133, 0136, 0143, 0158, 0159, 0166, 0167, 0171, 0172, 0173, 0176, 944010, 944011, 944012, 944014, 944016, 944020, 944022, 944023, 944024, 944025, 944026, 944028, 944029, 944030, 944032, 944035, 944037, 944038, 944040, 944041, 944047, 944051, 944060, 944063, 944064, 944075, 944078, 944083, 944087, 944090, 944091, 944094, 944110, 944112, 944116, 944118, 944128, 944134, 944138, 944141, 944143, 944145, 944150, 944153, 944154, 944158, 944160, 944163, 944164, 944166, 944170, 944176, 944178, 944179, 944180,
200	294617	Blade—Governor (Used before Serial No. 6212310)						
200A	297309	Blade—Governor (Used after Serial No. 6212310) Note: 294617 Blade—Gov. Used on Model 80700 Series type No. 0149.						
210	260136	Spring—Choke Return (Choke-A-Matic)	264	90355	Nut—Hex.—No. 10-32			
211	260137	Link—Choke Return (Choke-A-Matic)	265	220796	Clamp—Remote Control Casing			
213	260120	Link—Governor	268	66986	Casing—Control Wire—48" long Note: If longer casing is needed, specify length in inches; if a shorter casing is needed, order No. 66986 and cut to required length.			
214	260179	Spring—Governor Note: 260261 Spring—Gov. Used on Model 80700 Series type Nos. 944119, 944136, 944255; also used on Model 81700 Series type Nos. 944645, 944656, 944793. 260605 Spring—Gov. (for 3200 to 3400 rpm top speed set — no load) Used before Serial No. 6212310 on Model 80700 Series type Nos. 944228, 944230, 944236, 944238, 944239, 944245; also used on Model 81700 Series type Nos. 944562, 944720,	269	26099	Wire—Control—54" long Note: If longer wire is needed, specify length in inches; if shorter wire is needed			

80700 To 80797
81700 To 81797

REF. NO.	PART NO.	DESCRIPTION	REF. NO.	PART NO.	DESCRIPTION	REF. NO.	PART NO.	DESCRIPTION
		944181, 944183, 944184, 944196, 944202, 944205, 944207, 944209, 944210, 944218, 944223, 944226, 944229, 944231; also used on Model 81700 Series type Nos. 0110, 0115, 0118, 0128, 0131, 0132, 0135, 0136, 0137, 0143, 0144, 0149, 0151, 0156, 0157, 0160, 0161, 0171, 944510, 944511, 944512, 944514, 944524, 944541, 944542, 944543, 944556, 944561, 944564, 944565, 944571, 944574, 944575, 944577, 944585, 944587, 944588, 944589, 944597, 944599, 944600, 944601, 944603, 944609, 944613, 944627, 944630, 944631, 944632, 944633, 944634, 944637, 944639, 944646, 944647, 944650, 944655, 944657, 944659, 944661, 944663, 944666, 944675, 944676, 944679, 944680, 944681, 944683, 944684, 944686, 944689, 944692, 944693, 944695, 944696, 944697, 944701, 944704, 944707, 944708, 944709, 944715, 944716, 944718, 944722, 944723, 944724, 944726, 944731, 944732,			944734, 944735, 944737, 944746, 944747, 944748, 944749, 944750, 944751, 944753, 944765, 944767, 944768, 944769, 944770, 944774, 944776, 944782, 944785, 944786, 944788, 944790, 944791, 944795, 944797, 944799, 944800, 944803, 944804, 944805, 944807, 944808, 944813, 944823, 944831, 944833, 944836, 944837. 298291 Control—Speed (Manual Choke) Used on Model 80700 Series type Nos. 0142, 0160. 284 93108 Screw—Clamp Mtg. 297 91811 Locknut—Exhaust Elbow 298 220859 Locknut—Muffler 299 294441 Muffler—Exhaust (Lo-Tone) 300 89966 Muffler—Exhaust Note: 292054 Muffler— Exhaust Used on Model 80700 Series type Nos. 0162, 944040, 944205, 944260; Series type Nos. 0171, 944569, 944608, 944795, 944798, 944800, 944830. 295905 Muffler— Exhaust Used on Model 80700 Series type Nos. 0150, 944162, 944221; also used on Model 81700 Series type Nos. 0159, 0165, 944576,			944581, 944590, 944712, 944714, 944834, 944835. 303 91810 Elbow—Exhaust— (45° Street) Note: 91943 Elbow—Exhaust— (90° Street) Used on Model 80700 Series type Nos. 0153, 0161, 944024, 944083, 944184, 944192, 944228, 944238, 944242, 944253; also used on Model 81700 Series type Nos. 944567, 944608 944746, 944802, 944816. 304 295627 Blower Housing with Fuel Tank (For Rewind Starter) (For Blower and Re- wind Starter Housing for screw mounted tank used on engines before Serial No. 5808060, order Part No. 294271) Note: 294268 Housing— Blower (For Rope Starter) Used on Model 80701, 81701 Series. 295329 Blower Hsg. and Brackets Assy. with Fuel Tank (For Electric Starter) (For Blower Housing and Brackets Assy. — Electric Starter for screw mounted tank used on engines be- fore Serial No. 5808060, order Part No. 295727) Used on Model 80703, 80793, 81703, 81793 Series. 295628 Blower Housing with Fuel Tank

REF. NO.	PART NO.	DESCRIPTION	REF. NO.	PART NO.	DESCRIPTION	REF. NO.	PART NO.	DESCRIPTION
		(For Rewind Starter) (For Blower and Re- wind Starter Housing for screw mounted tank used on engines before Serial No. 5808060 order Part No. 294657) Used on Model 80700 Series type Nos. 0021, 0044, 0140, 0155, 944019, 944021, 944031, 944033, 944042, 944043, 944045, 944046, 944050, 944055, 944056, 944057, 944061, 944071, 944076, 944077, 944079, 944087, 944088, 944089, 944093, 944099, 944104, 944105, 944106, 944107, 944111, 944113, 944114, 944115, 944117, 944121, 944129, 944135, 944142, 944156, 944161, 944169, 944174, 944175, 944236, 944268; also used on Model 81700 Series type Nos. 0144, 0150, 0159, 0165, 944517, 944522, 944523, 944525, 944534, 944535, 944536, 944539, 944540, 944553, 944554, 944555, 944557, 944572, 944573, 944574, 944576, 944578, 944582, 944584, 944586, 944590, 944593, 944595, 944598, 944604, 944605, 944606, 944607, 944610,			944611, 944612, 944614, 944619, 944620, 944621, 944622, 944624, 944626, 944634, 944640, 944642, 944643, 944651, 944652, 944653, 944666, 944670, 944671, 944709, 944715, 944718, 944730, 944768, 944796, 944834, 944835. 295631 Blower Hsg. with Fuel Tank (For Rewind Starter) (For Blower and Re- wind Starter Housing for screw mounted tank used on engines before Serial No. 5808060 order Part No. 294277) Used on Model 80700 Series type Nos. 0018, 0041, 0158, 0159, 0165, 0167, 0171, 944026, 944030, 944040, 944044, 944048, 944063, 944066, 944072, 944078, 944083, 944085, 944090, 944091, 944092, 944096, 944097, 944116, 944126, 944127, 944128, 944131, 944154, 944180, 944183, 944220, 944229, 944262; also used on Model 81700 Series type Nos. 0133, 0138, 0158, 0160, 944538, 944567, 944570, 944596, 944608, 944628, 944633, 944644, 944648, 944649, 944658,			944660, 944677, 944702, 944732, 944748, 944751, 944752, 944772, 944789, 944795, 944798, 944837. 295634 Blower Hsg. with Fuel Tank (For Rewind Starter) Used on Model 80700 Series type Nos. 944098, 944123, 944178, 944232; also used on Model 81700 Series type Nos. 944559, 944618, 944728. 295635 Blower Hsg. with Fuel Tank (For Rewind Starter) (For Blower and Re- wind Starter Housing for screw mounted tank used on engines before Serial No. 5808060 order Part No. 295061) Used on Model 80700 Series type Nos. 944034, 944036, 944101. 295639 Blower Hsg. with Fuel Tank (For Rewind Starter) Used on Model 80700 Series type No. 944162; also used on Model 81700 Series type No. 944764. 296113 Blower Hsg. with Fuel Tank (For Rewind Starter) Used on Model 80700 Series type No. 944144; also used on Model 81700 Series type No. 944674. 296324 Blower Hsg. with Fuel Tank (For Wind-Up Starter) (Also see Part No.

80700 To 80797
81700 To 81797

REF. NO.	PART NO.	DESCRIPTION	REF. NO.	PART NO.	DESCRIPTION	REF. NO.	PART NO.	DESCRIPTION
		297467) Used on Model 80706, 80796, 81706, 81796 Series engines.	311	295697	Brush—Starter Motor			6008020; after this Serial Number, Cable is part of Coil.
		296940 Housing—Blower with Fuel Tank (For Rewind Starter) Used on Model 81700 Series type Nos. 0143, 0146, 0156, 0168, 944771, 944791, 944820, 944833.	312	260404	Spring—Brush			294577 Cable—Ignition (Shielded) Used before Serial No. 6212310 on type Nos. 944192, 944238.
		297231 Housing—Blower (For Rewind Starter) Used on Model 80700 Series type Nos. 0146, 944217; also used on Model 81700 Series type Nos. 0147, 944793, 944802.	321	210711	Pulley—Electric Starter Note: When ordering this pulley, order No. 67238 Vee—Belt also.	337	29693	Plug—Spark (with Gasket) Note: 291954 Plug—Spark Used on Model 80700 Series type Nos. 0149, 944143, 944168.
		297467 Housing—Blower (For Wind-Up Starter) Used on Model 80700 Series type Nos. 0152, 944225, 944237.	323	67238	Vee—Belt Note: 67028 Vee—Belt Used on engines before Serial No. 5903020.			293918 Plug—Spark Used on Model 80700 Series type Nos. 0146, 0147, 944119, 944136, 944217, 944255; also used on Model 81700 Series type Nos. 944645, 944656, 944793.
305	93158	Screw—Tank and Blower Housing Mtg. Sem Note: 92666 Screw—Cap, Hex. Hd.—1/4-20 x 1/2"	324	220648	Screen—Electric Starter			
		92778 Washer—Lock Used on Model 80700 Series type Nos. 0149, 944143, 944168 to mount the Blower Housing.	325	293959	Starter Pulley with Screen			
306	220478	Shield—Cylinder	328	221039	Guard—Belt			
307	93042	Screw—Cylinder Shield Mounting Sem	329	93014	Screw—Belt Guard Mounting Sem			
308	220581	Cover—Cylinder Head Note: 220354 Cover—Cylinder Head Used on type No. 944060.	330	29878	Rope—Starter			
309	295188	Motor—Electric Starter	331	62577	Washer—Flywheel			
310	93239	Bolt—Case	332	91708	Nut—Flywheel			
			333	291617	Armature—Magneto (Standard) (Used before Serial No. 6212310) Note: 295680 Armature—Magneto Used on Model 80700 Series type Nos. 0149, 944143, 944168. Uses: 66298 Bushing—Terminal 92704 Terminal 295179 Shielding—Ignition Cable			
			333A	298502	Armature—Magneto (Used on and after Serial No. 6212310)			
			334	93381	Screw—Armature Mounting Sem			
			335	93381	Screw—Coil Lead and Armature Mtg. Sem			
			336	292149	Cable—Ignition (Standard) (Used before Serial No. 6212310) Note: 293141 Cable—Ignition Used on type Nos. 944143, 944168 before Serial No.			
						338	29806	Gasket—Spark Plug
						340	26018	Spring—Breaker Arm
						341	93381	Screw—Contact Finger Post Mounting Sem
						342	65704	Plunger—Breaker Point
						344	93042	Screw—Condenser Clamp Mounting Sem
						345	220366	Cover—Breaker Point and Condenser
						346	93014	Screw—Dust Cover Mounting Sem
						347	220884	Switch—Stop Note: 293739 Switch—Stop Used on type No. 944209.
						348	66898	Block—Switch
						349	220902	Blade—Switch
						356	296185	Wire—Ground
						358	297275	Gasket Set
						359	93149	Screw—Machine, Rd. Hd.—5-40 x 3/8"
						360	93150	Nut—Square—5-40
						361	91432	Screw—Machine, Fill. Hd.—10-32 x 7/8"
						362	291630	Shield—Spark Plug Note: 66538 Elbow—Spark Plug

REF. NO.	PART NO.	DESCRIPTION	REF. NO.	PART NO.	DESCRIPTION	REF. NO.	PART NO.	DESCRIPTION
		Used on Model 80700 Series type Nos. 0139, 0157, 0174, 944049, 944155, 944162, 944191, 944203, 944209, 944251, 944252, 944254; also used on Model 81700 Series type Nos. 0158, 944579, 944738, 944743, 944821.			66935 Insulator—Terminal Used on Model 80700 Series type No. 944143.			944700, 944705, 944706, 944710, 944715, 944716, 944717, 944720, 944721, 944735, 944794, 944811, 944813, 944837.
363	19069	Puller—Flywheel (Optional Accessory)	377	93065	Key—Woodruff No. 505	408	93157	Screw—Self Tapping
364	295698	Plug—Connector	383	89838	Wrench—Spark Plug	409	294930	Crown Sector and Lever Assembly
365	93241	Screw—Plug Mtg. (long)	406	260255	Spring—Breather Tube			Note: 294931 Crown Sector and Lever Assy.
366	93240	Screw—Plug Mtg. (short)	407	220918	Crown—Blower Hsg.			Used on Model 80700 Series type Nos. 0019, 0145, 0169, 0174, 944027, 944049, 944081, 944085, 944086, 944092, 944152, 944185, 944187, 944188, 944191, 944214, 944245; also used on Model 81700 Series type Nos. 0148, 0154, 0162, 0163, 0167, 944530, 944551, 944566, 944616, 944617, 944654, 944711, 944738, 944743, 944781, 944784, 944822, 944838, 944839.
370	66432	Washer—Flat			Note: 220928 Crown—Blower Housing (less sector hole)	410	260184	Link—Speed Control
371	260275	Restrictor—Belt			Used on Model 80700 Series type Nos. 0132, 0137, 944031, 944048, 944052, 942055, 944056, 944067, 944072, 944074, 944077, 944079, 944098, 944115, 944123, 944129, 944171, 944172, 944178, 944180, 944181, 944186, 944236, 944239; also used on Model 81700 Series type Nos. 0133, 0134, 0137, 0158, 0160, 0161, 944515, 944516, 944517, 944521, 944523, 944526, 944527, 944531, 944532, 944534, 944535, 944549, 944557, 944561, 944564, 944565, 944570, 944585, 944588, 944597, 944598, 944619, 944620, 944625, 944630, 944631, 944632, 944639, 944642, 944643, 944648, 944650, 944657, 944658, 944660, 944675, 944677, 944690, 944691, 944693, 944694, 944699,	455	296455	Cup, Hub and Spring Assembly
372	220477	Clamp—Condenser						Note: 296327 Cup and Spring Assembly Used on earlier model engines.
373	92987	Nut—Condenser Terminal				456	221222	Plate—Retainer
374	92813	Washer—Lock—Shakeproof				457	296264	Hub and Spring Assy. Used on earlier model engines.
375	294628	Breaker Points and Condenser Set				458	298431	Handle Assy.—Cranking
		Note: 296185 Wire—Condenser Ground				459	221332	Pawl—Ratchet (Single Acting)
		92791 Washer—Lock—Shakeproof (2)						Note: 221220 Pawl—Ratchet (Double Acting) Used on earlier model engines.
		90576 Nut—Hex. —8-32						
		90072 Screw—Machine, Rd. Hd. —8-32 x 5/8"						
		66895 Insulator—Terminal Used on Model 80700 Series type No. 944083; also used on Model 81700 Series type Nos. 0171, 944655.						
		296185 Wire—Condenser Ground						
		92791 Washer—Lock—Shakeproof (2)						
		90576 Nut—Hex. 8-32						
		90072 Screw—Machine, Rd. Hd. —8-32 x 5/8"						

80700 To 80797
81700 To 81797

REF. NO.	PART NO.	DESCRIPTION	REF. NO.	PART NO.	DESCRIPTION	REF. NO.	PART NO.	DESCRIPTION
460	93272	Retainer—Ratchet Pawl	516	260374	Spring—Connector (Condenser Post)			Used on Model 81700 Series type No. 0137.
461	93298	Screw—Handle Mtg.						
462	221237	Washer—Handle Mtg.	521	297973	Shielding—Ignition Cable	536	296766	Cleaner Assy.—Air
463	296445	Holder Assy.—Flywheel			Used after Serial No. 6212310 on cables integral with ignition coil on type Nos. 944192, 944238.		Note:	297595 Cleaner Assy.—Air
464	93291	Rivet—Holder Assy. Mounting (2)						Used on Model 81700 Series type No. 0137.
465	221226	Washer—Holder Assy. Mounting (2)				537	27994	Gasket—Air Cleaner
466	93272	Retainer—Holder Control Knob	534	93324	Screw—Air Cleaner	544	296769	Armature—Electric Starter
467	211017	Knob—Control		Note:	230058 Stud—Air Cleaner	545	296770	Case Assembly—Long Shaft End
508	93294	Screw—Blower Hsg. Mounting Sem			92067 Nut—Wing	546	296775	Case Assembly—Short Shaft End
513	296567	Clutch Assy.—Electric Starter			90355 Nut—Hex.	547	270025	Washer—Fibre
515	260537	Spring—Ratchet Pawl	535	27987	Element—Air Cleaner	548	221381	Washer—Thrust (Steel)
				Note:	270067 Element—Air Cleaner	665	296768	Oil Minder

