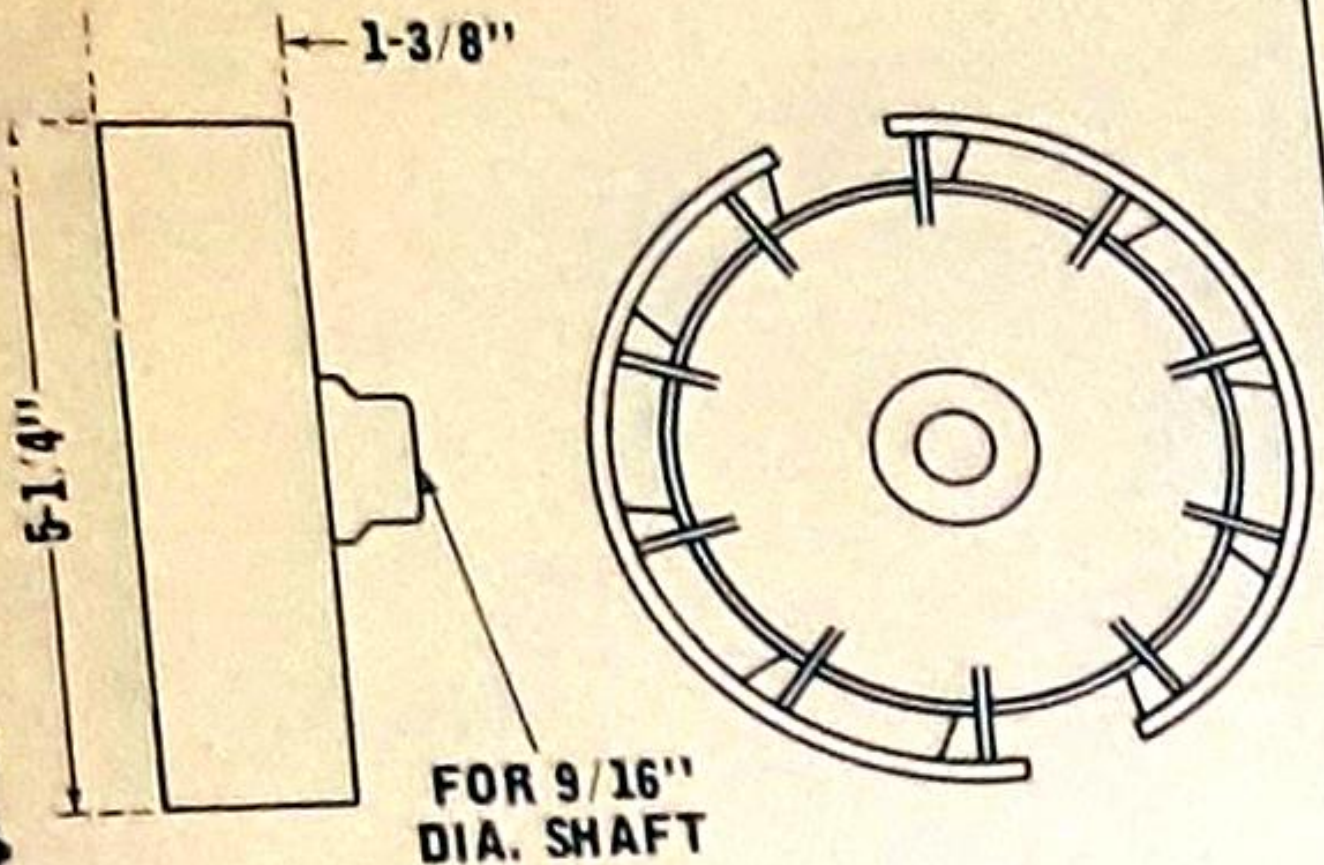
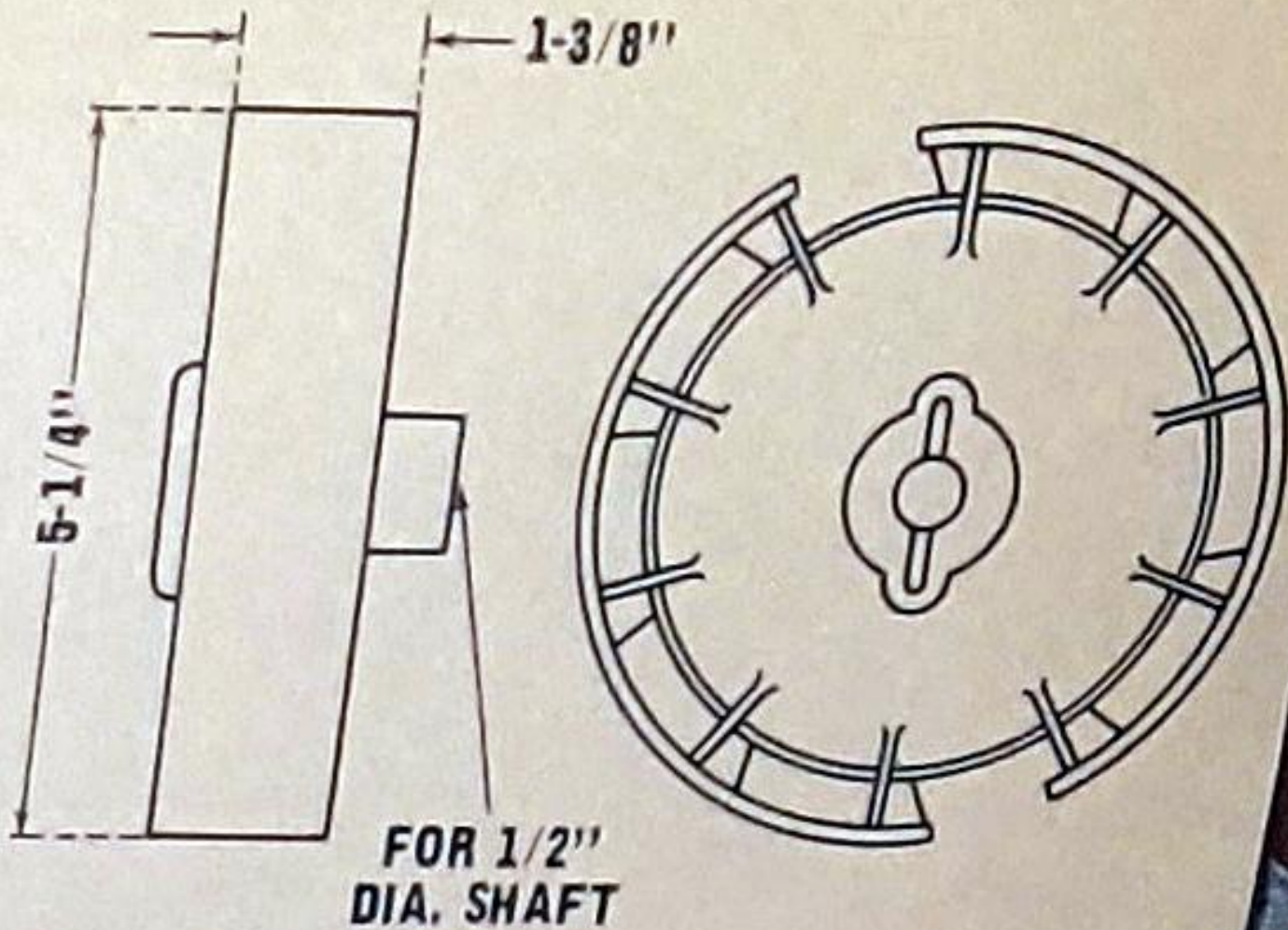


PART 303592 TEST WHEEL



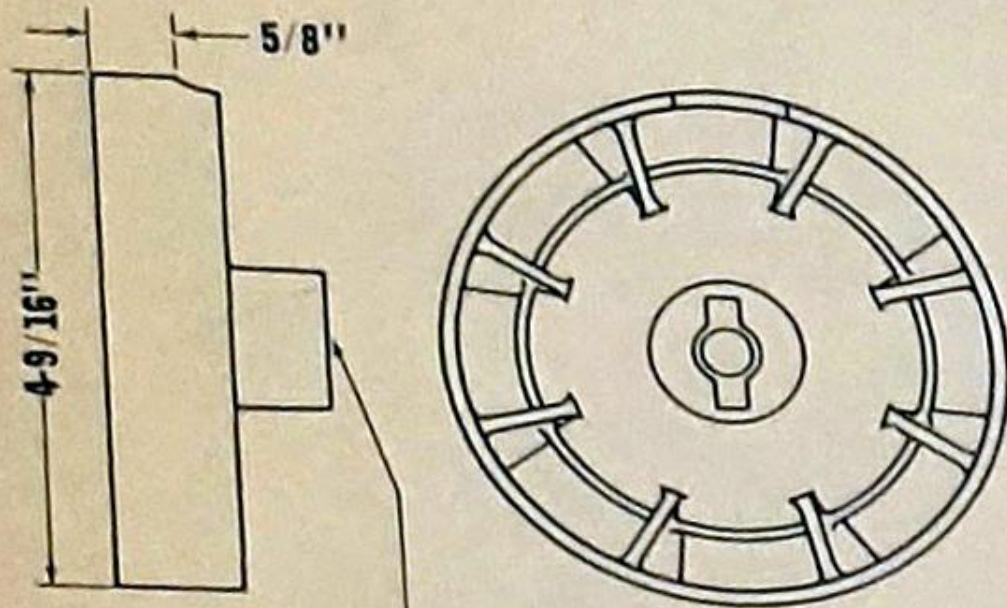
5 HP 1941 THRU 1953
6 HP - CD-22 1965 (4000 RPM)
5-1/2 HP - CD-10 THRU 21A
1954 THRU 1964 (4000 RPM)

PART 311733 TEST WHEEL



5 HP LD SERIES 1955 THRU 1968
(4150 RPM)

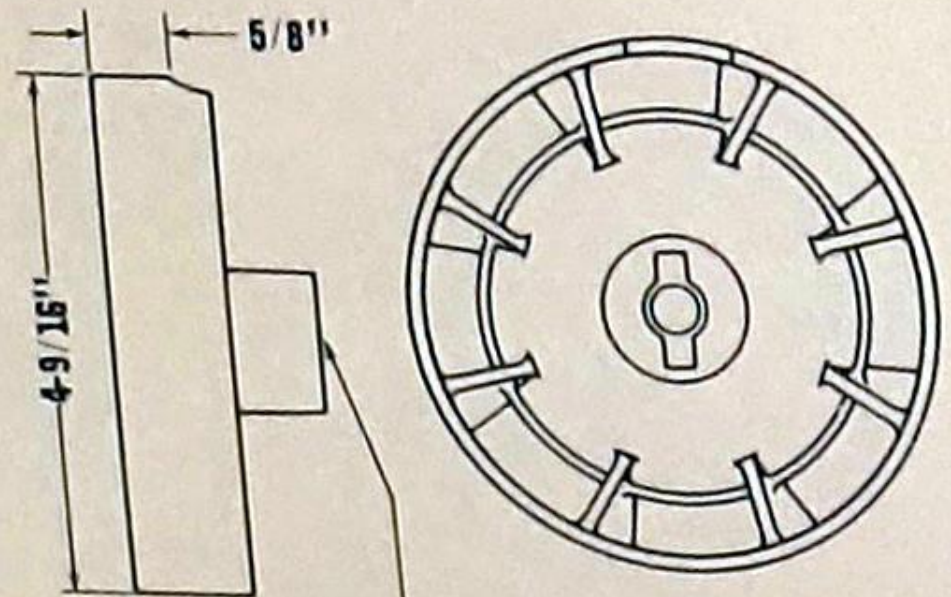
PART 316021 TEST WHEEL



FOR $\frac{7}{16}$ " DIA. SHAFT

1-1/2 HP 1968
THRU 1970 (3750 RPM)
2 HP 1971 THRU 1973 (4000 RPM)

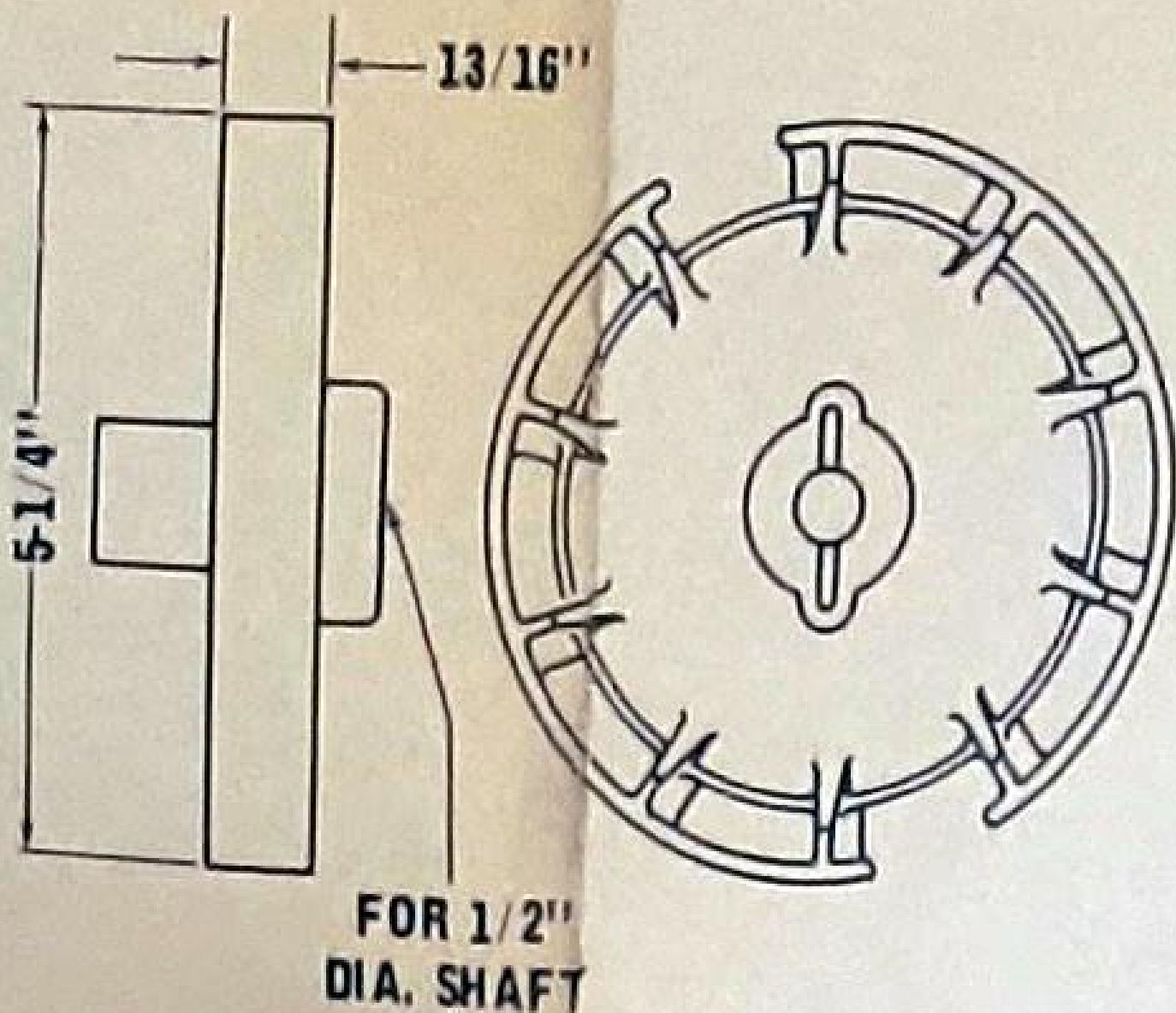
PART 316021 TEST WHEEL



FOR $\frac{7}{16}$ " DIA. SHAFT

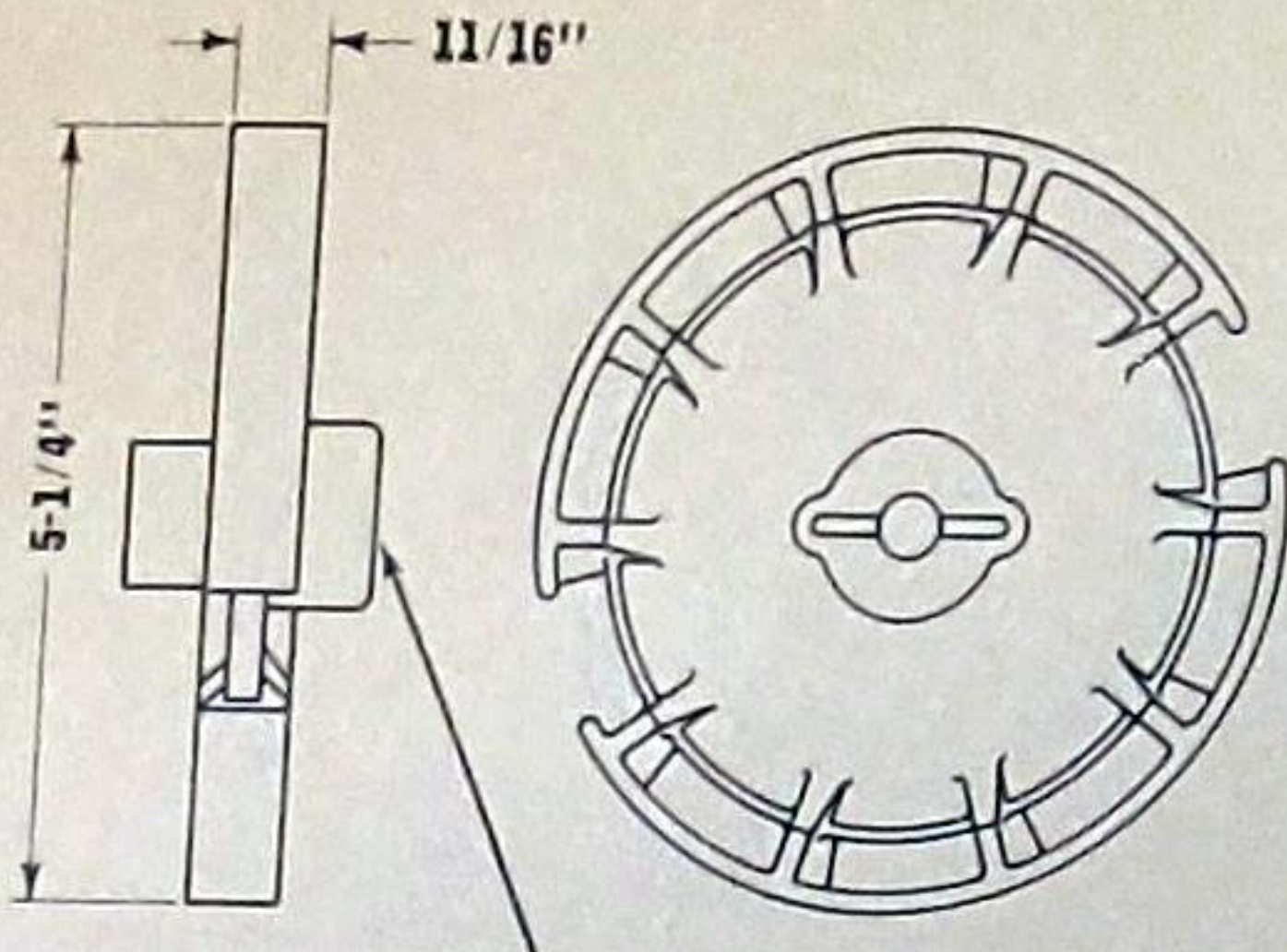
3 HP - JW SERIES (ALL) 1952 THRU 1968
(3850 RPM)
4 HP WEEDLESS 1969 THRU 1973
(4100 RPM)

PART 316960 TEST WHEEL



3 HP - JH-19 THRU 20 1964 THRU 1968
(3850 RPM)
4 HP STANDARD 969 THRU 1973
(4100 RPM)

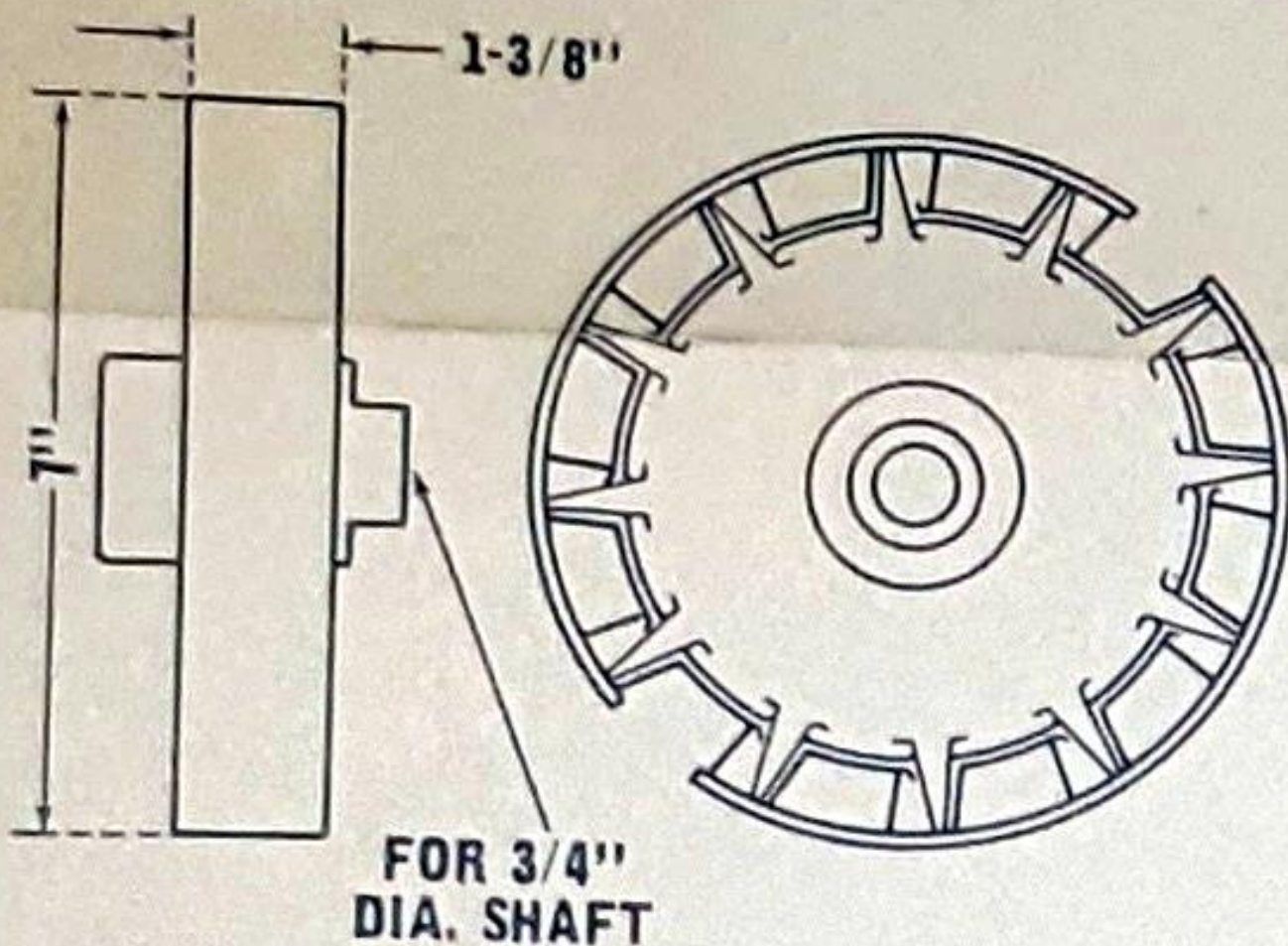
PART 317738 TEST WHEEL



FOR $7/16''$ DIA. SHIFT

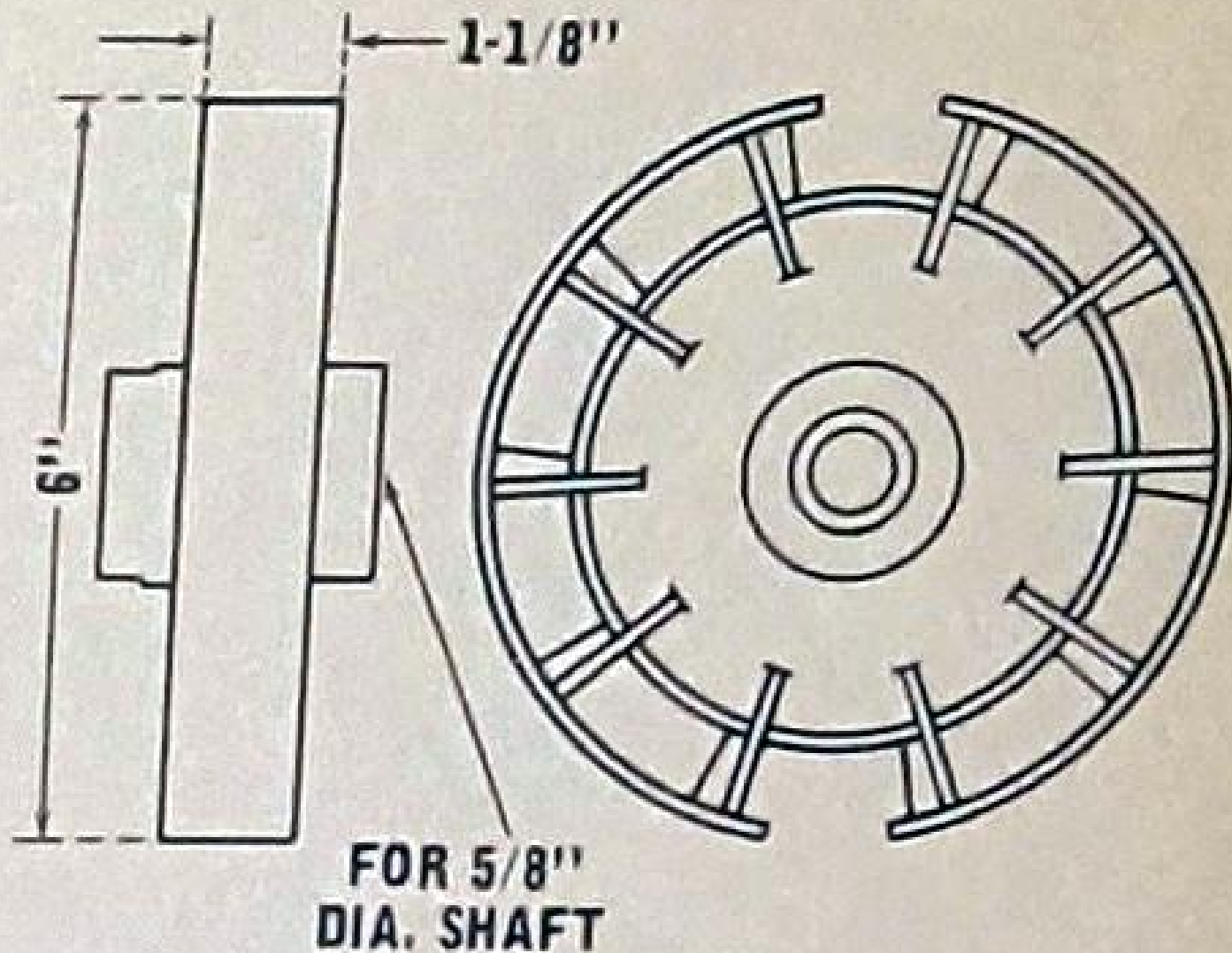
4 HP STANDARD 1973 4550 RPM

PART 375837 TEST WHEEL



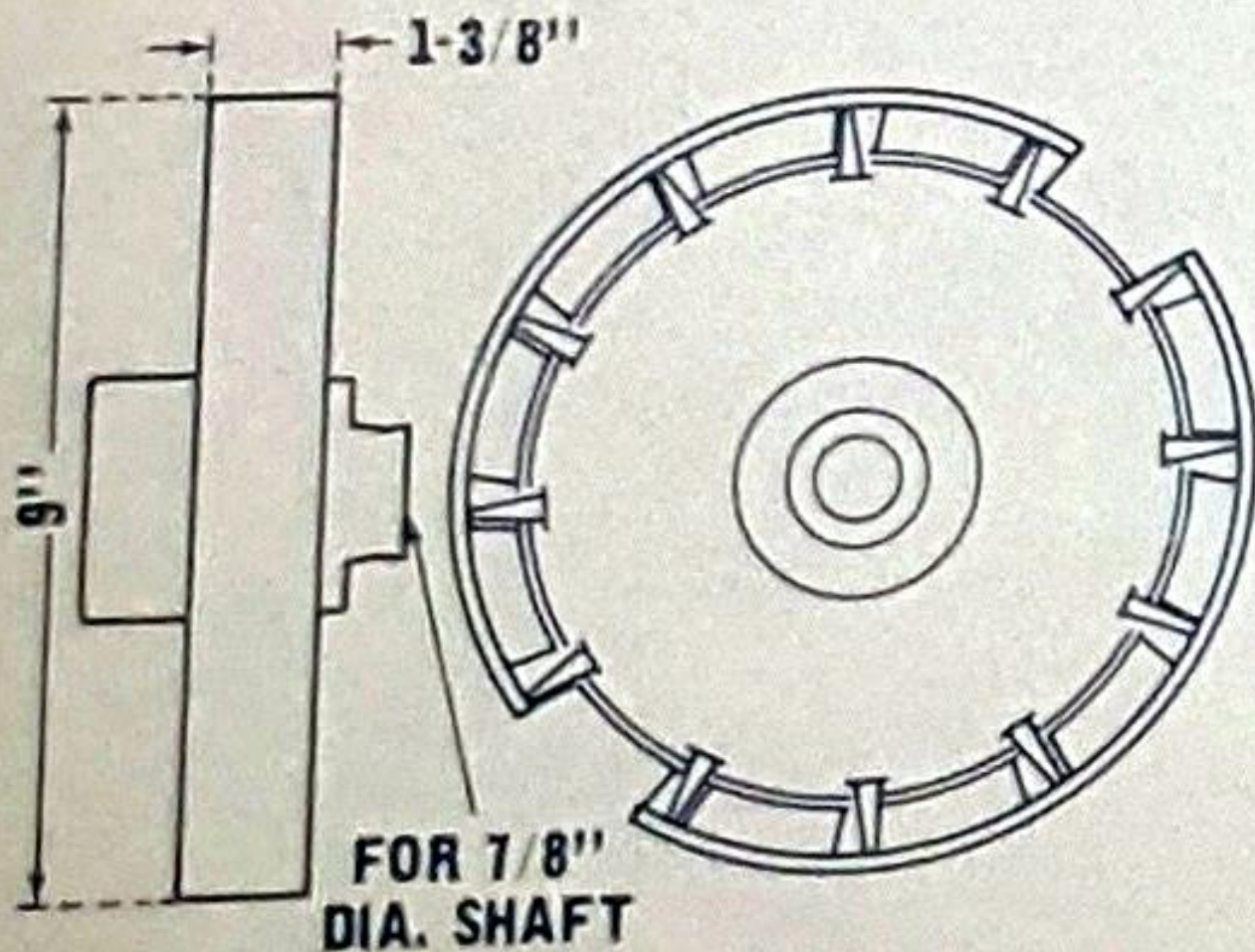
- 25 HP - RD-10 THRU 17 1951 THRU 1955 (4400 RPM)
- 28 HP - RX-10 THRU 12 1962 THRU 1964 (4400 RPM)
- 30 HP - RD, RDE, RJE-18 1956 (4500 RPM)

PART 376913 TEST WHEEL



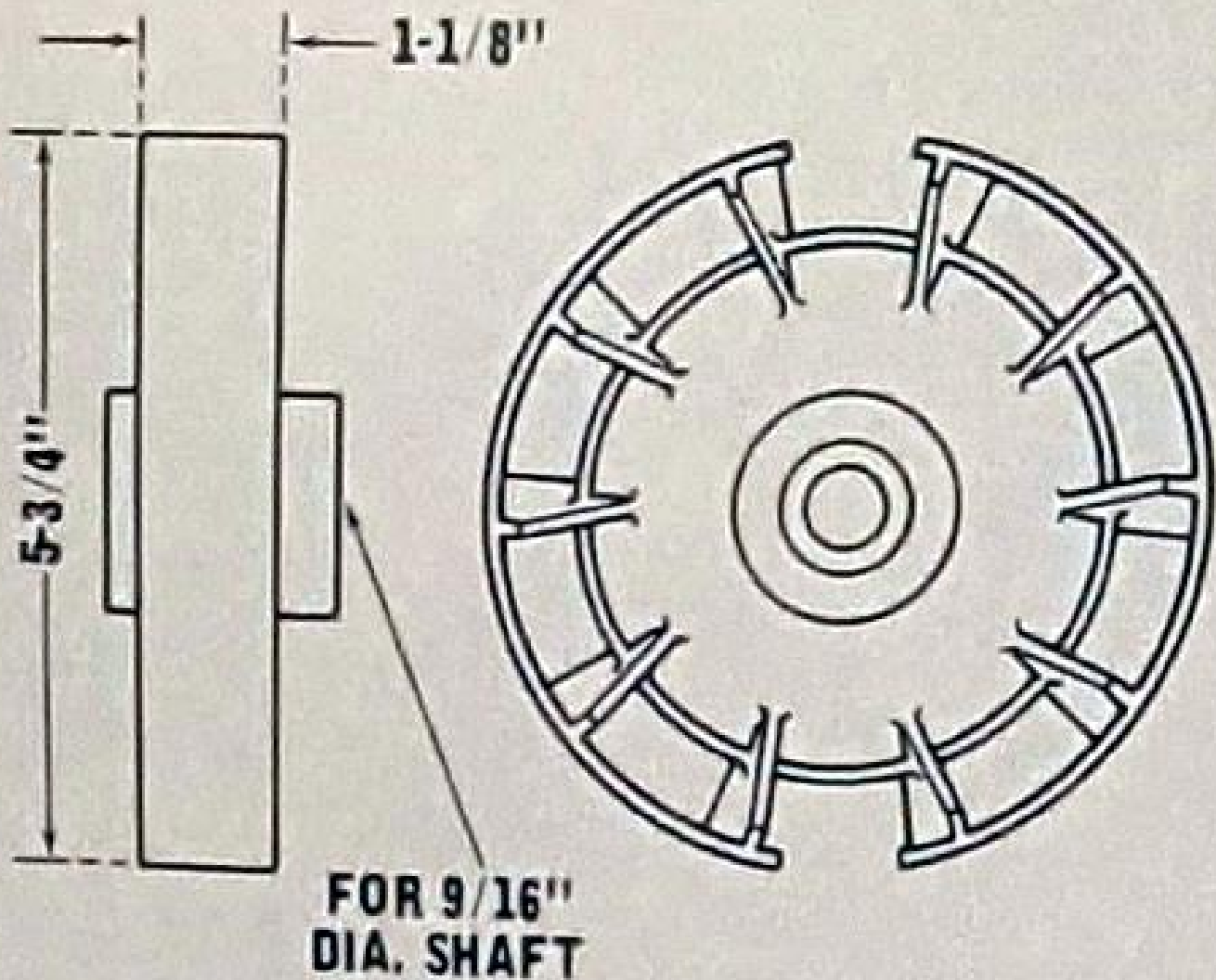
- 18 HP - FD-11 THRU 19 1957 THRU 1965
(4400 RPM)
- 20 HP - 1966 THRU 1971 (4450 RPM)
- 20 HP - 1972 & 1973 (4650 RPM)
- 25 HP - 1969 THRU 1973 (4900 RPM)

PART 377400 TEST WHEEL



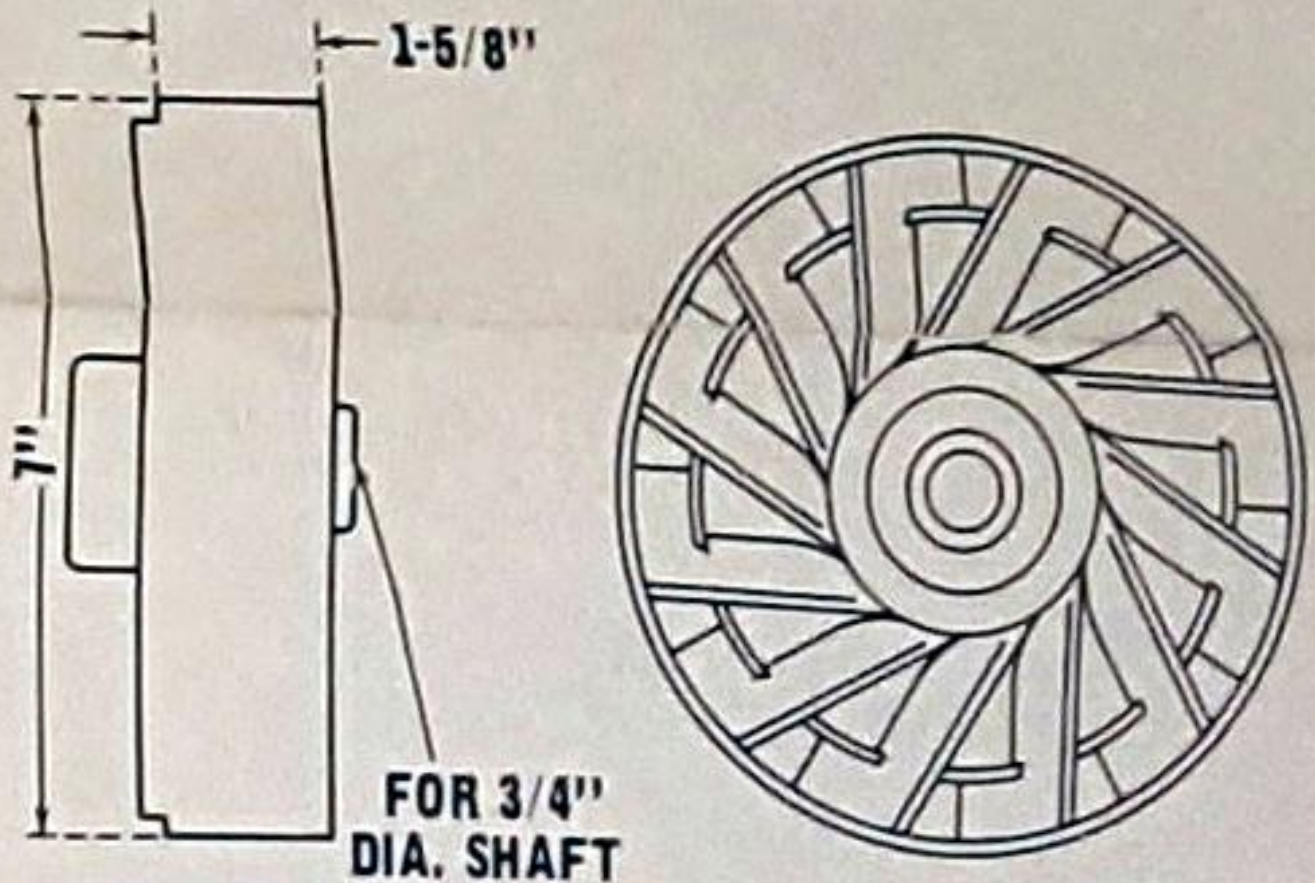
50 HP - V4-10 THRU 11 1958 & 1959
(4500 RPM)
60, 65 AND 75 HP 1964 THRU 1968 -
HEAVY DUTY (4250 RPM)

PART 377455 TEST WHEEL



10 HP - QD-19 THRU 24 1958 THRU 1963
(4000 RPM)

PART 378566 TEST WHEEL



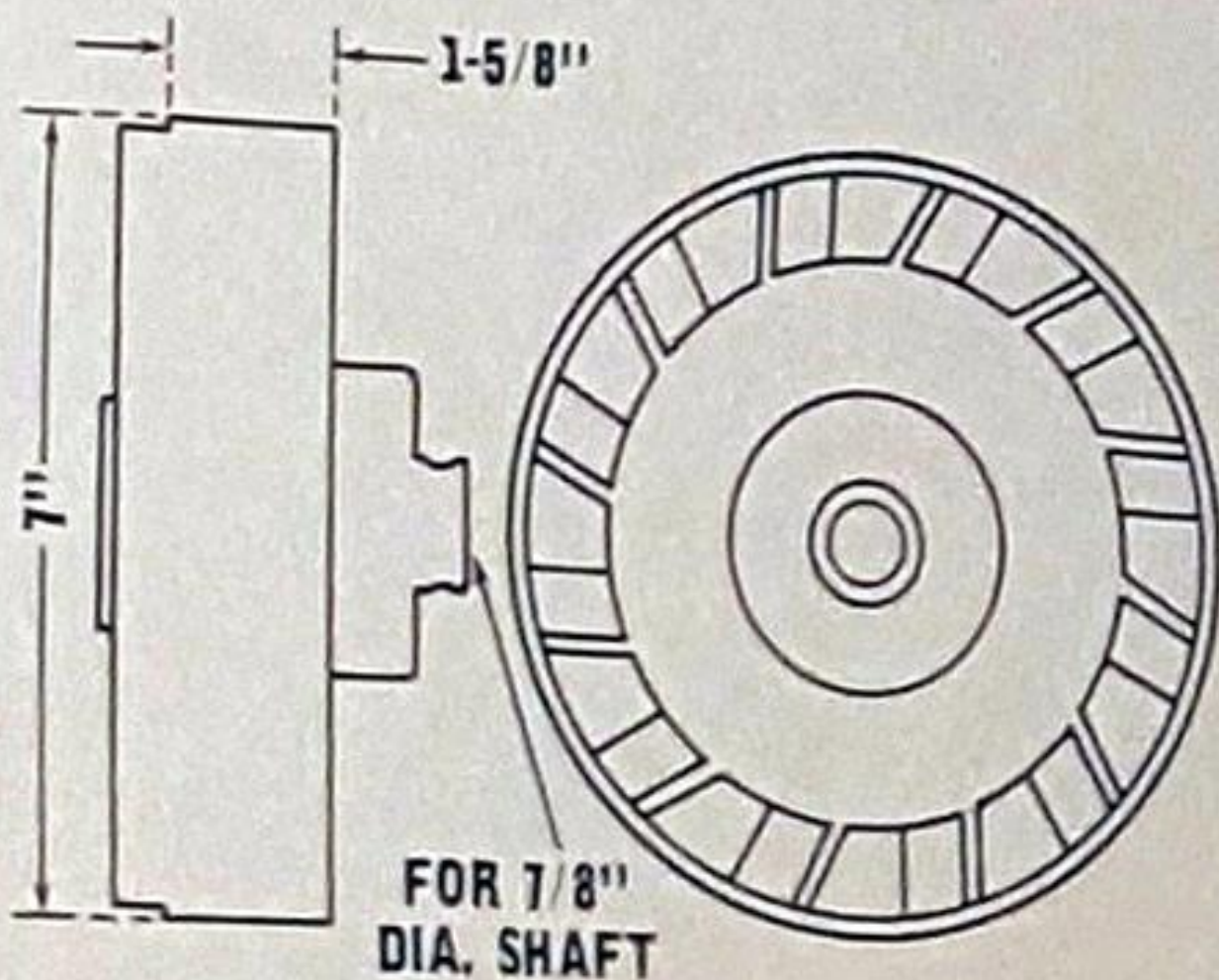
40 HP - RD-22 THRU 30 1960 THRU 1968
1969 & UP (4300 RPM)

40 HP - RK-24 THRU 30, 1969 & UP
(4300 RPM)

40 HP - 1971 (4300 RPM)

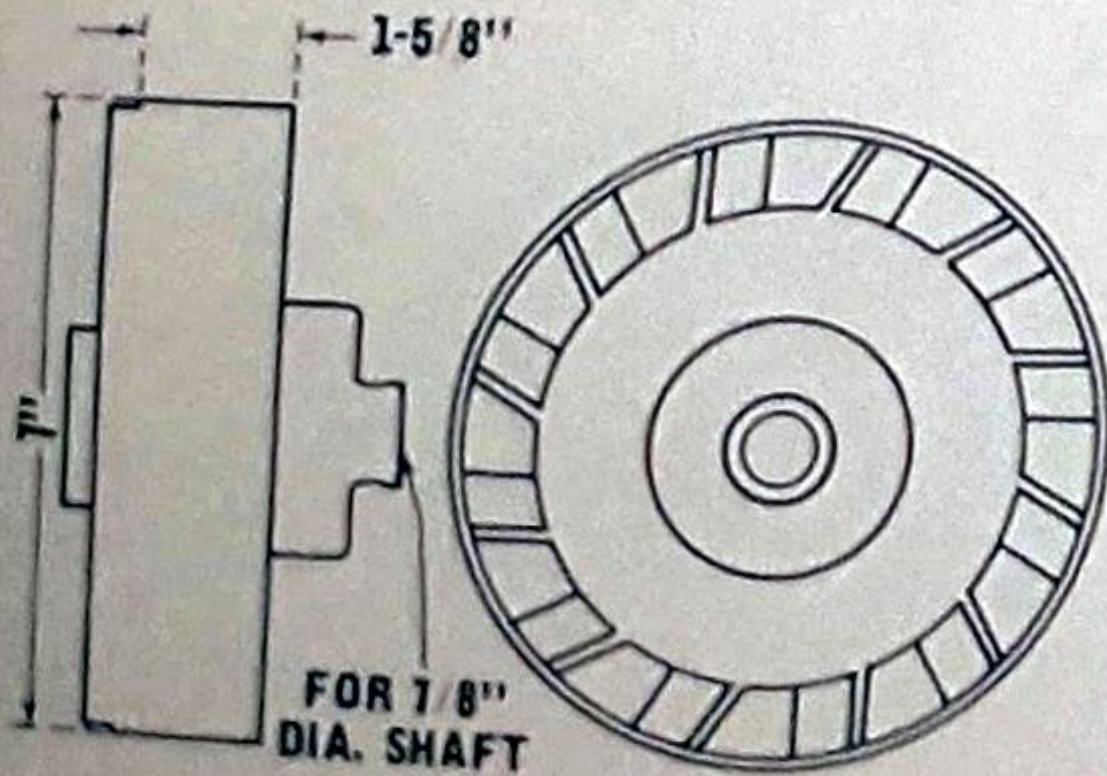
40 HP - 1972 & 1973 (4500 RPM)

PART 379215* TEST WHEEL
*Superseding part for 378046



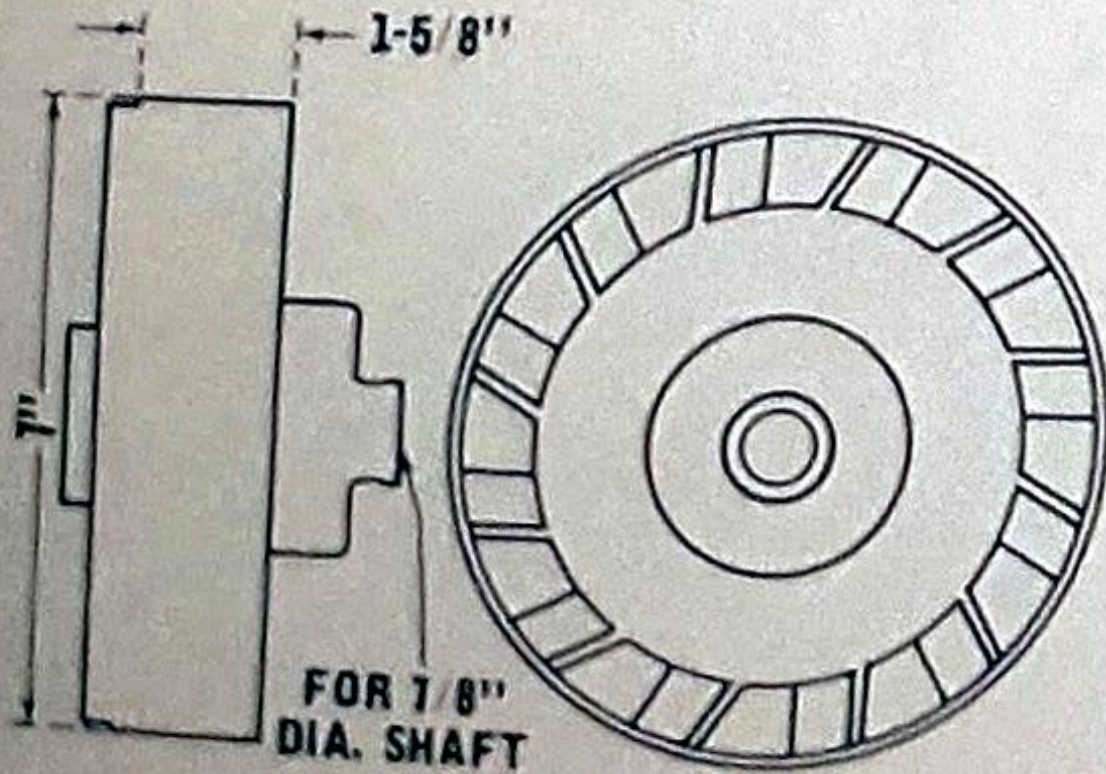
- 75 HP - V45-12 THRU 17 1960 THRU 1965 (4400 RPM)
- 75 HP - V4A-14 THRU 17 1962 THRU 1965 (4400 RPM)
- 80 HP 1966 & 1967 (4700 RPM)
- 85 HP 1968 (4700 RPM)

PART 379695 TEST WHEEL



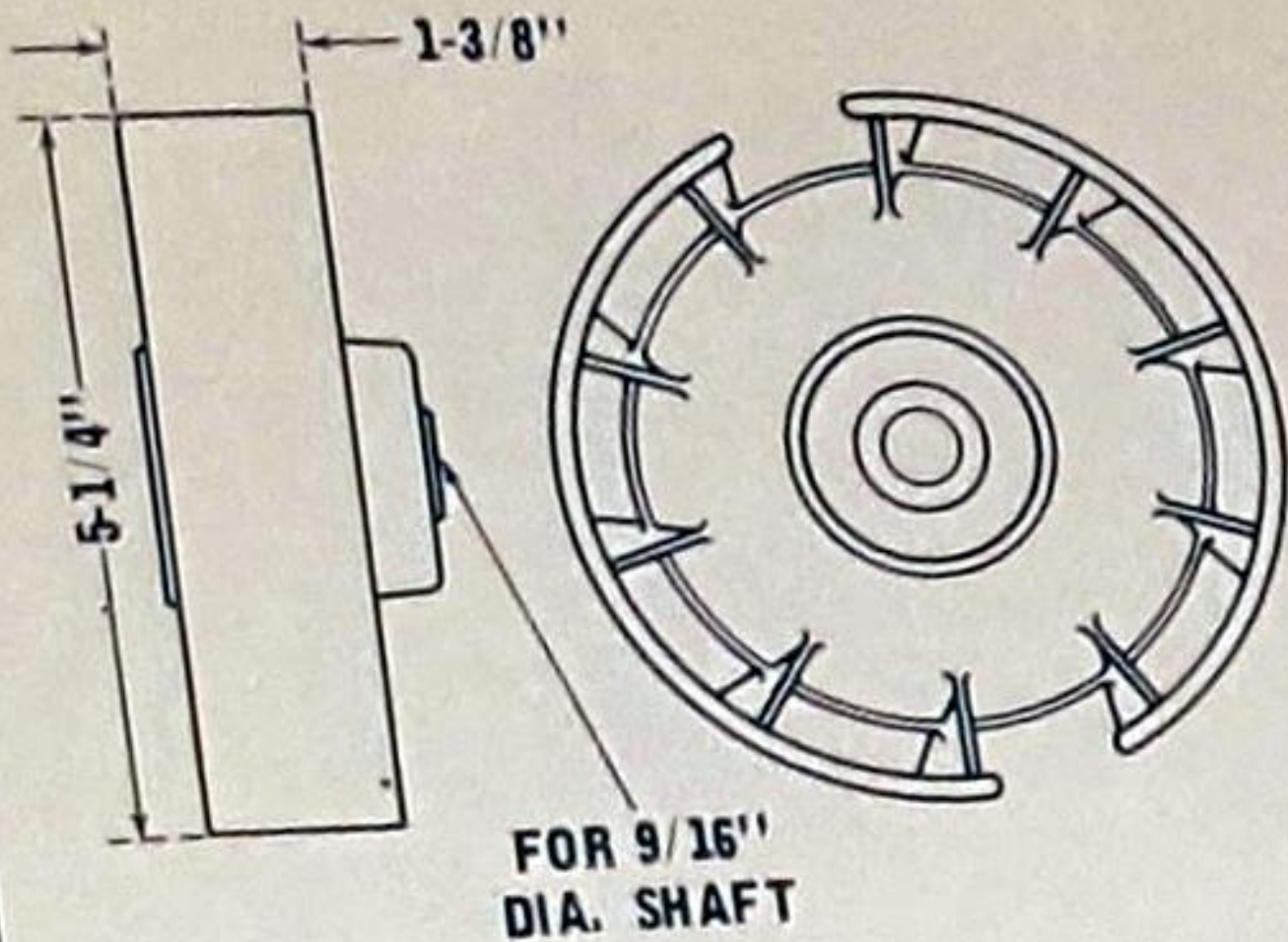
90 HP - V4M-10 THRU 11 1964 THRU
1965 (4400 RPM)

PART 379695 TEST WHEEL



**90 HP - V4M-10 THRU 11 1964 THRU
1965 (4400 RPM)**

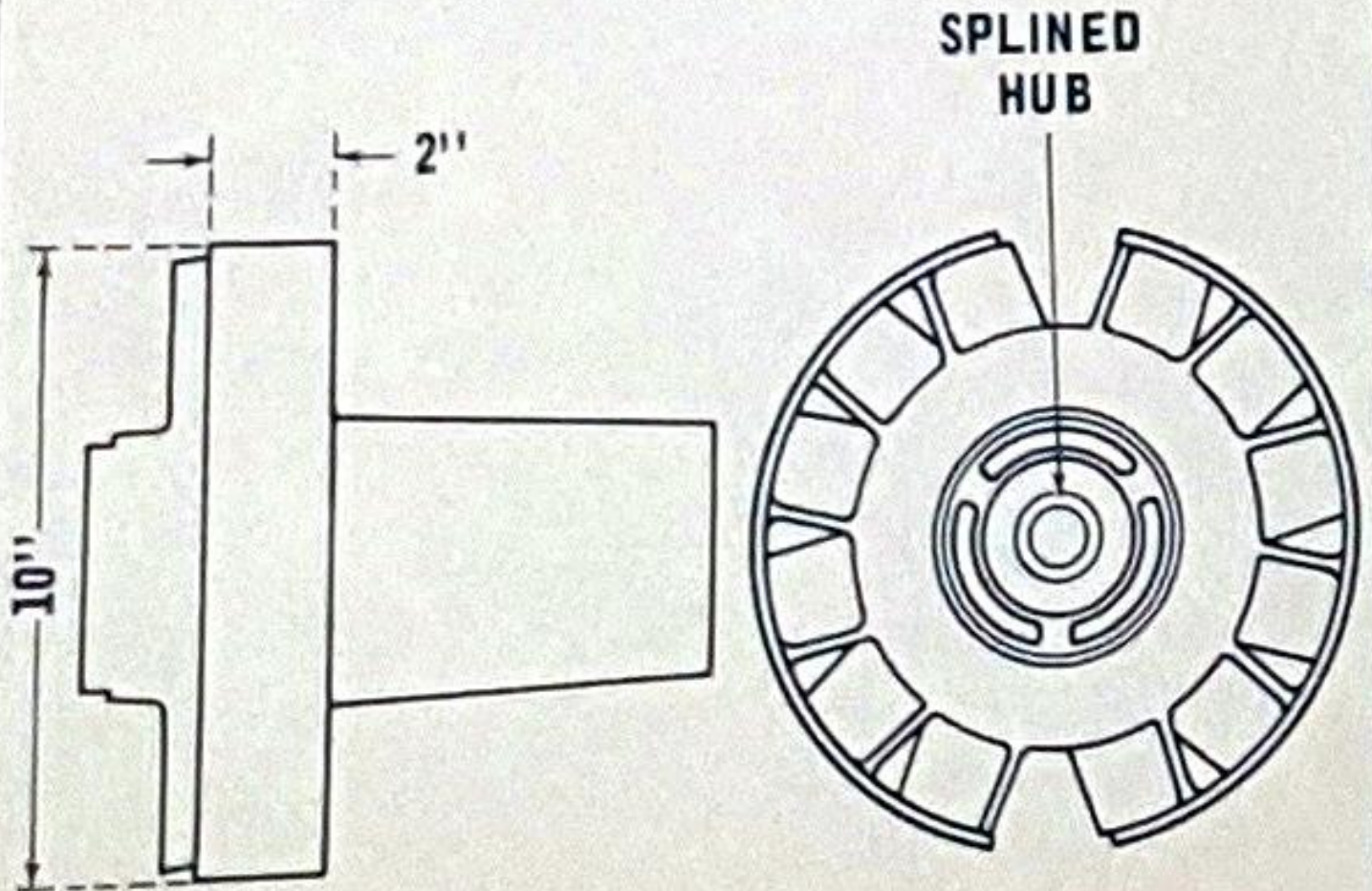
PART 380757 TEST WHEEL



FOR 9/16"
DIA. SHAFT

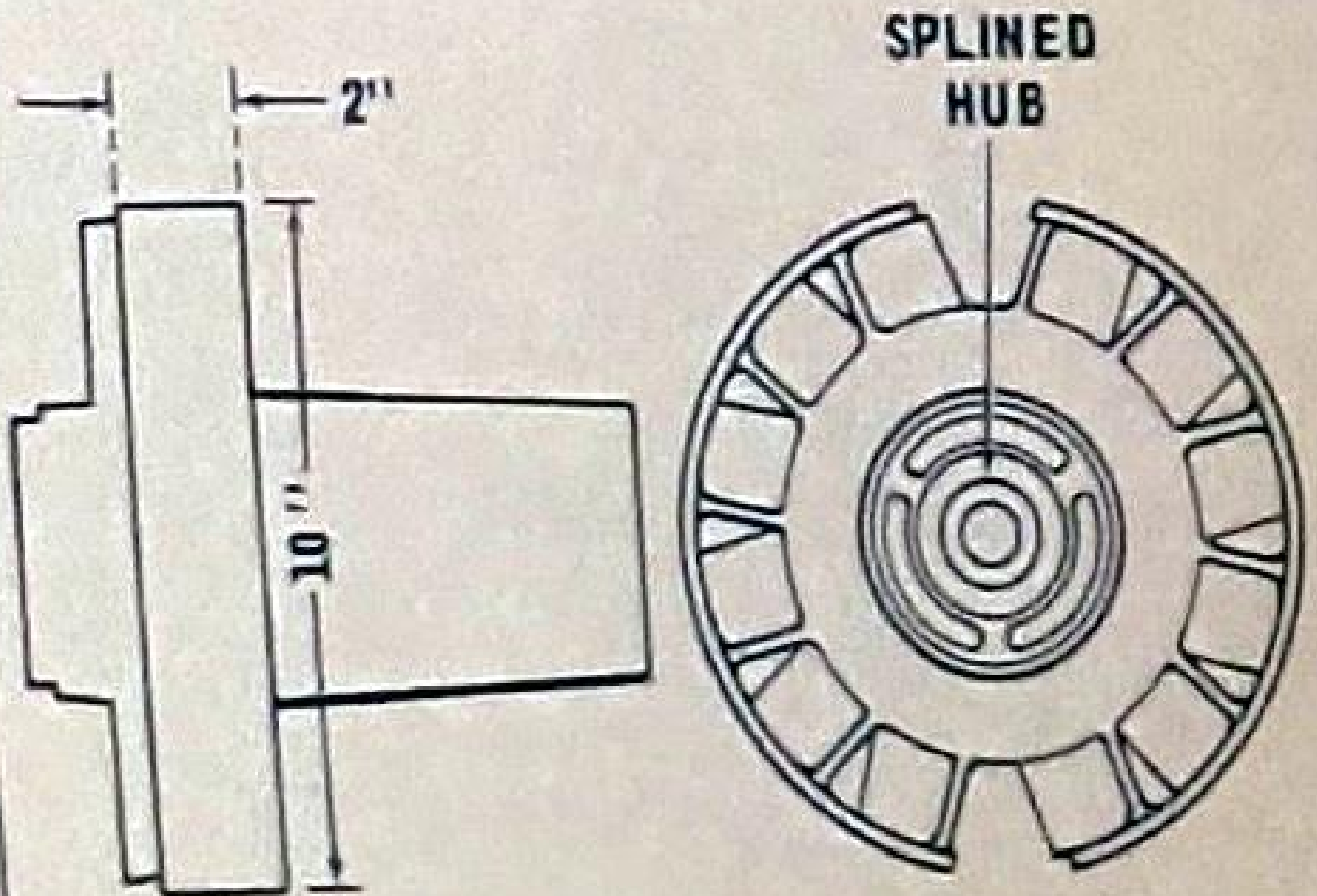
6 HP 1966 THRU 1973 (4000 RPM)

PART 382861 TEST WHEEL



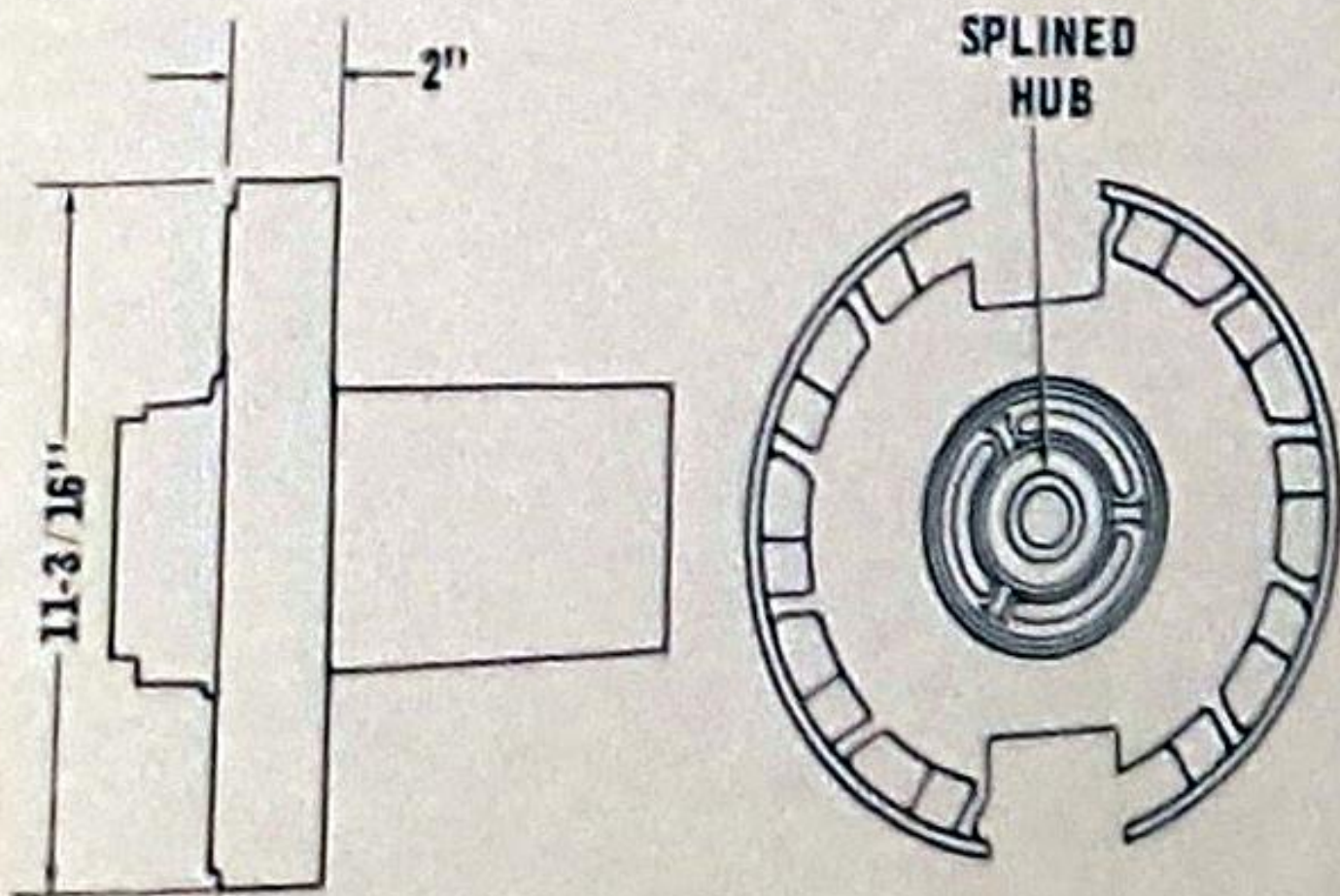
55 HP 1968 & 1969 (4600 RPM)
60 HP 1970 & 1971 (4800 RPM)
65 HP 1972 & 1973 (5200 RPM)

PART 382861 TEST WHEEL



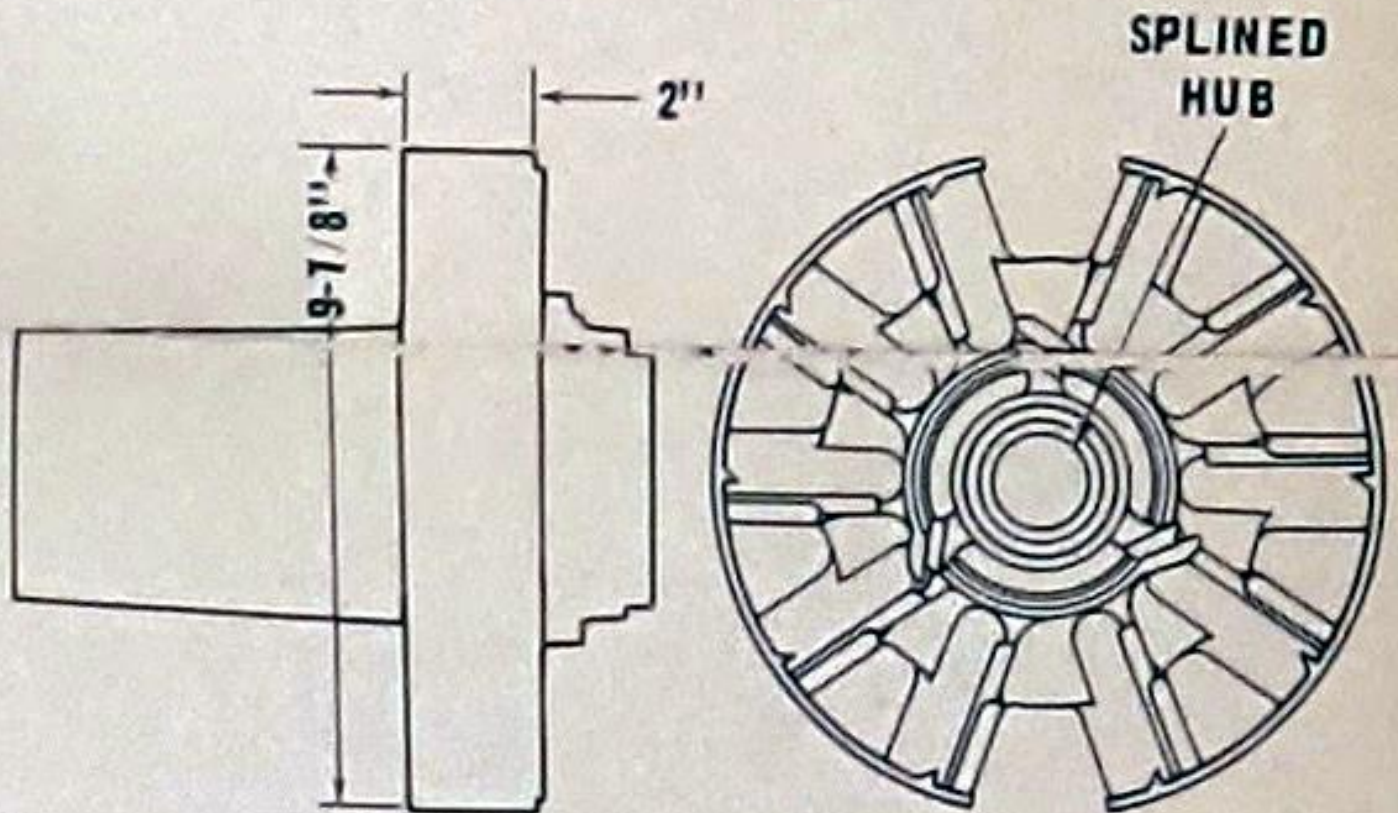
85 HP 1969 THRU 1973 (4800 RPM)
100 HP 1971 & 1972 (4800 RPM)

PART 384199 TEST WHEEL



115 HP 1969 & 1970 (4800 RPM)

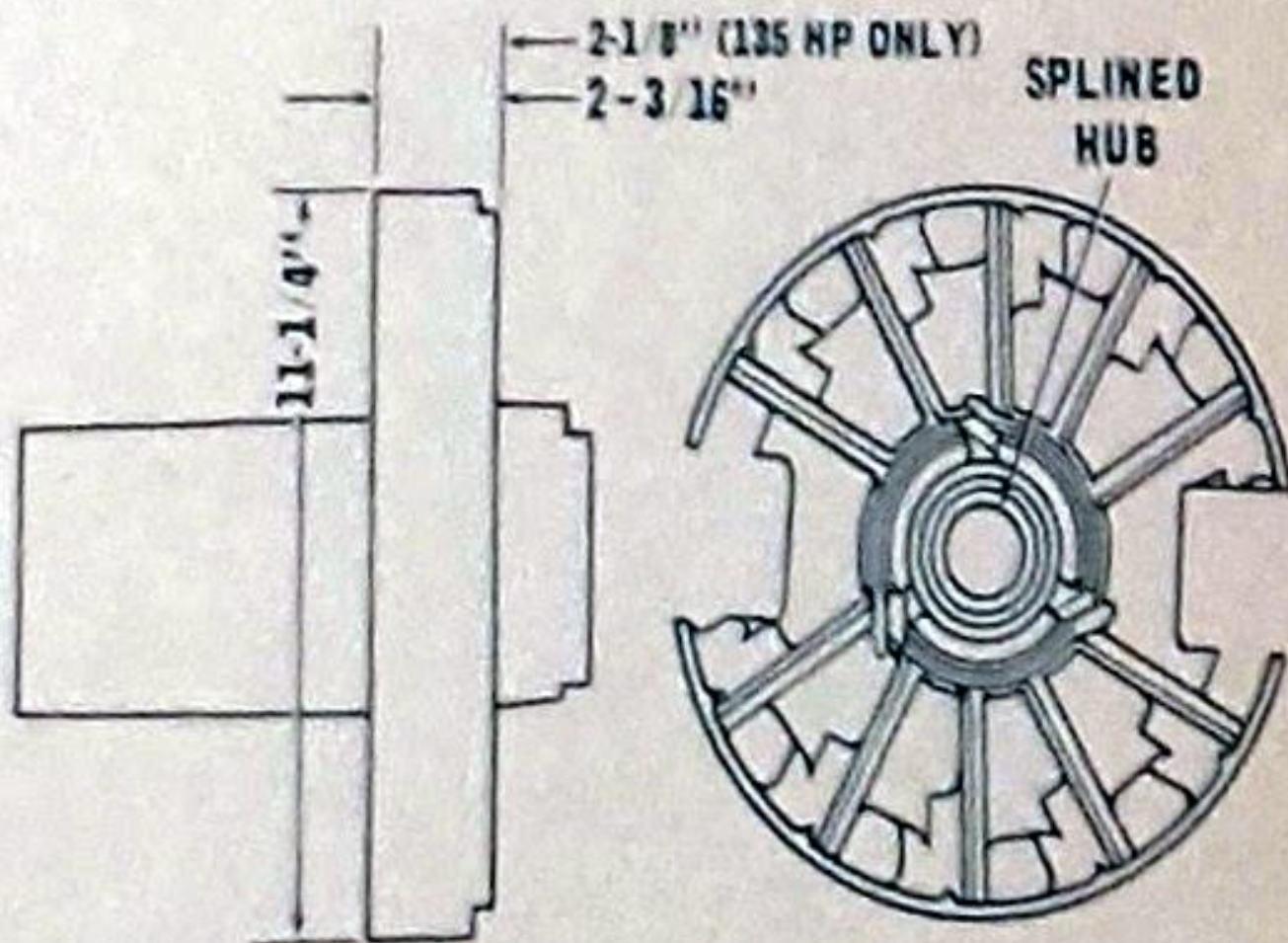
PART 384769 TEST WHEEL



50 HP 1971 THRU 1973 (5300 RPM)

PART 384933 TEST WHEEL

* PART 386246 (135 HP ONLY)

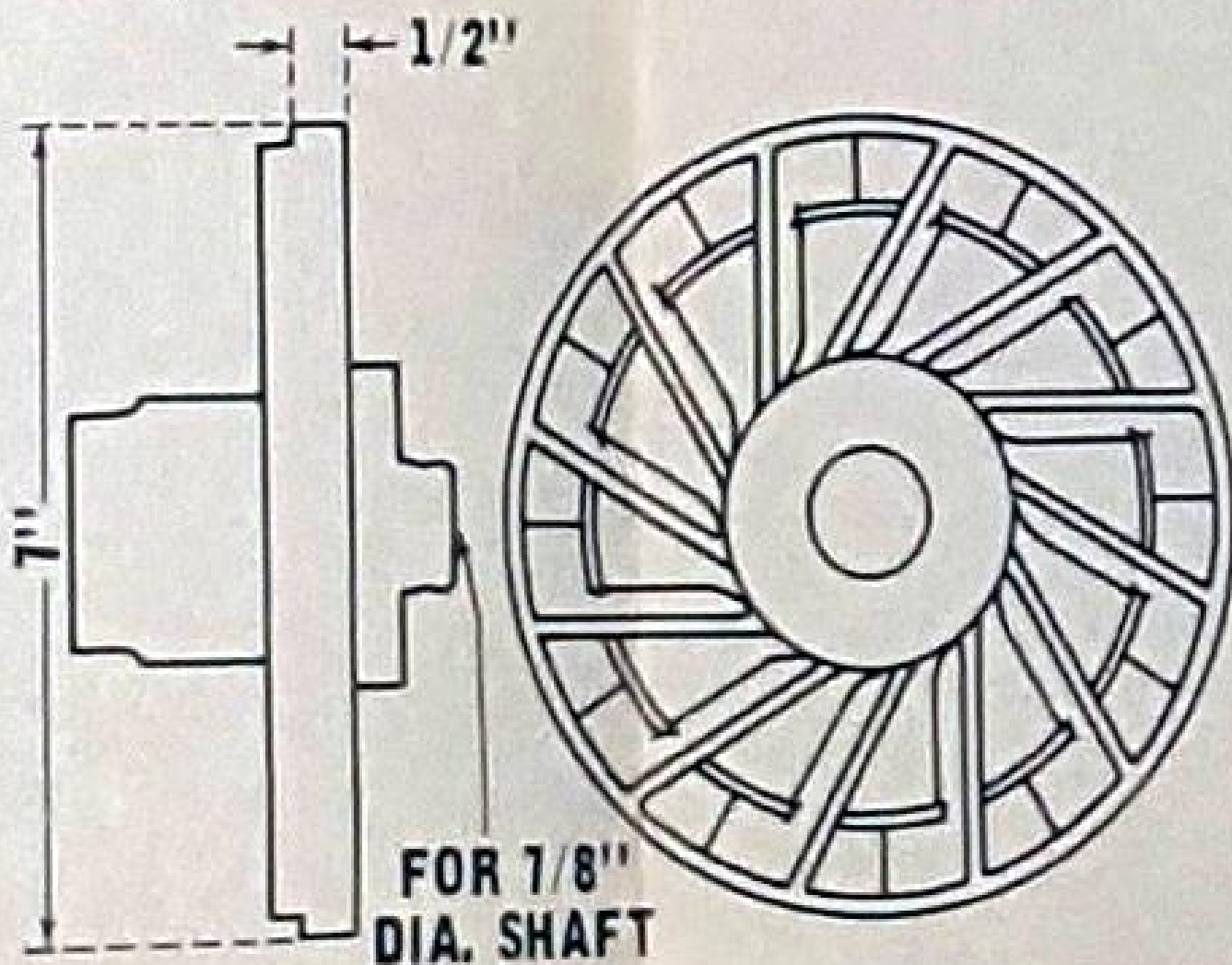


115 HP 1973 (4800 RPM)

125 HP 1971 THRU 1972 (4800 RPM)

* 135 HP 1973 (4800 RPM)

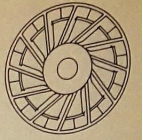
PART 592983 TEST WHEEL



60 HP - VX-10 THRU 13 1964 THRU 1967
(4250 RPM)
65 HP - VX-14 1968 (4250 RPM)



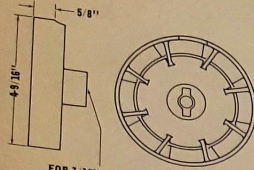
Johnson OUTBOARD TEST WHEEL IDENTIFICATION CHART



(RPM INDICATED IS RECOMMENDED MINIMUM)

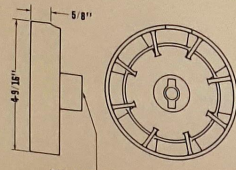
Always use the correct test wheel for the particular engine being tested. Satisfactory testing cannot be accomplished if an incorrect test wheel is used, and in some cases, engine damage may result.

PART 316021 TEST WHEEL



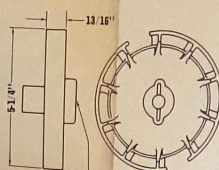
FOR 7 1/8" DIA. SHAFT
1-1/2 HP 1968 THRU 1970 (3750 RPM)
2 HP 1971 THRU 1973 (4000 RPM)

PART 316021 TEST WHEEL



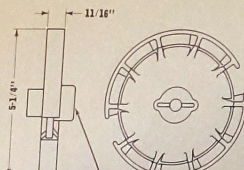
FOR 7 1/8" DIA. SHAFT
3 HP - JW SERIES (ALL) 1952 THRU 1968 (3950 RPM)
4 HP WEEDLESS 1969 THRU 1973 (4100 RPM)

PART 316960 TEST WHEEL



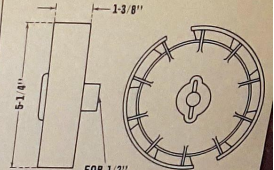
FOR 1 1/2" DIA. SHAFT
3 HP - JH-19 THRU 20 1964 THRU 1968 (3850 RPM)
4 HP STANDARD 1969 THRU 1973 (4100 RPM)

PART 317738 TEST WHEEL



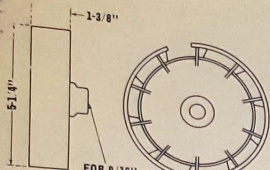
FOR 7 1/8" DIA. SHAFT
4 HP STANDARD 1973 4550 RPM

PART 311733 TEST WHEEL



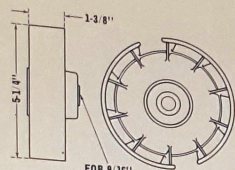
FOR 1 1/2" DIA. SHAFT
5 HP LD SERIES 1955 THRU 1968 (4150 RPM)

PART 303592 TEST WHEEL



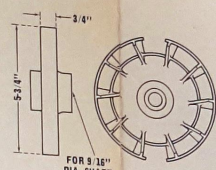
FOR 9 3/16" DIA. SHAFT
5 HP 1941 THRU 1953
6 HP - CD-22 1965 (4000 RPM)
5-1/2 HP - CD-10 THRU 21A 1954 THRU 1964 (4000 RPM)

PART 380757 TEST WHEEL



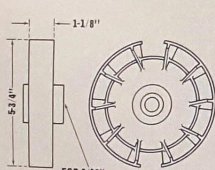
FOR 9 3/16" DIA. SHAFT
6 HP 1966 THRU 1973 (4000 RPM)

PART 379673 TEST WHEEL



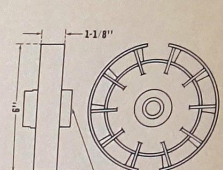
FOR 9 3/16" DIA. SHAFT
9-1/2 HP - MO SERIES - 1964 THRU 1973 (4400 RPM)

PART 377455 TEST WHEEL



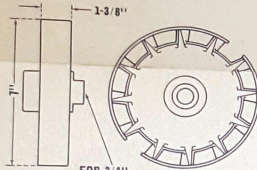
FOR 9 3/16" DIA. SHAFT
10 HP - OD-19 THRU 24 1958 THRU 1963 (4000 RPM)

PART 376913 TEST WHEEL



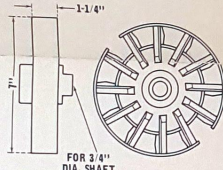
FOR 5 8" DIA. SHAFT
18 HP - FD-11 THRU 19 1957 THRU 1965 (4400 RPM)
20 HP - 1966 THRU 1971 (4450 RPM)
20 HP - 1972 & 1973 (4650 RPM)
25 HP - 1969 THRU 1973 (4900 RPM)

PART 375837 TEST WHEEL



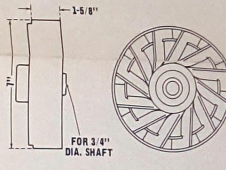
FOR 3 4" DIA. SHAFT
25 HP - RD-10 THRU 17 1951 THRU 1955 (4400 RPM)
28 HP - RX-10 THRU 12 1962 THRU 1964 (4400 RPM)
30 HP - RD, RDE, RJE-18 1956 (4500 RPM)

PART 377014 TEST WHEEL



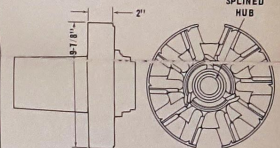
FOR 3 4" DIA. SHAFT
33 HP - RX-13 1965 THRU 1970 (4400 RPM)
35 HP - RD-19 THRU 21 1957 THRU 1959 (4400 RPM)

PART 378566 TEST WHEEL



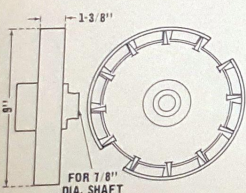
FOR 3 4" DIA. SHAFT
40 HP - RD-22 THRU 30 1950 THRU 1968 1969 & UP (4300 RPM)
40 HP - RK-24 THRU 30, 1969 & UP (4300 RPM)
40 HP - 1971 (4300 RPM)
40 HP - 1972 & 1973 (4500 RPM)

PART 384769 TEST WHEEL



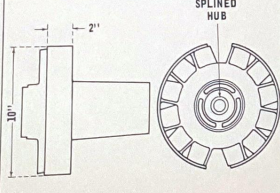
50 HP 1971 THRU 1973 (5300 RPM)

PART 377400 TEST WHEEL



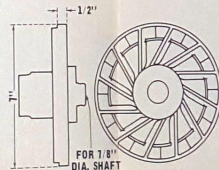
FOR 7 8" DIA. SHAFT
50 HP - V4-10 THRU 11 1958 & 1959 (4500 RPM)
60, 65 AND 75 HP 1964 THRU 1968 - HEAVY DUTY (4250 RPM)

PART 382861 TEST WHEEL



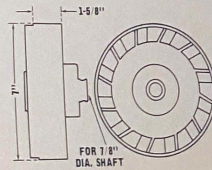
55 HP 1968 & 1969 (4600 RPM)
60 HP 1970 & 1971 (4800 RPM)
65 HP 1972 & 1973 (5200 RPM)

PART 592983 TEST WHEEL



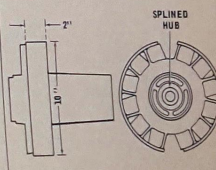
FOR 1 1 2" DIA. SHAFT
60 HP - VX-10 THRU 13 1964 THRU 1967 (4250 RPM)
65 HP - VX-14 1968 (4250 RPM)

PART 379215 TEST WHEEL



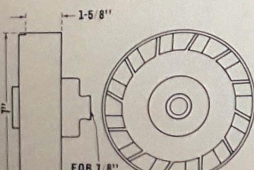
FOR 7 8" DIA. SHAFT
75 HP - V45-12 THRU 17 1960 THRU 1965 (4400 RPM)
75 HP - V44-14 THRU 17 1962 THRU 1965 (4400 RPM)
80 HP 1966 & 1967 (4700 RPM)
85 HP 1968 (4700 RPM)

PART 382861 TEST WHEEL



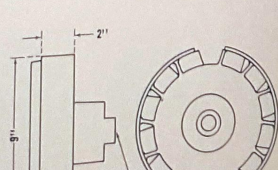
85 HP 1969 THRU 1973 (4800 RPM)
100 HP 1971 & 1972 (4800 RPM)

PART 379695 TEST WHEEL



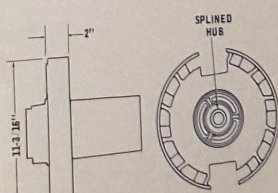
FOR 7 8" DIA. SHAFT
90 HP - V4M-10 THRU 11 1964 THRU 1965 (4400 RPM)

PART 381283 TEST WHEEL



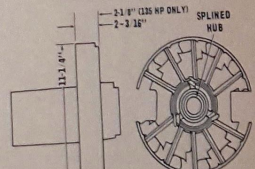
FOR 1 5 8" DIA. SHAFT
100 HP 1966 THRU 1968 (4450 RPM)

PART 384199 TEST WHEEL



115 HP 1969 & 1970 (4800 RPM)

PART 384933 TEST WHEEL



115 HP 1973 (4800 RPM)
125 HP 1971 THRU 1972 (4800 RPM)
135 HP 1973 (4800 RPM)

DESIRED MINIMUM RPM SHOWN IS BASED ON MOTOR OPERATION IN A TEST TANK 60" x 60" x 40" - ADEQUATELY VENTILATED - FILLED TO APPROX. 565 GAL. WATER CAPACITY AT 600 FT. ELEVATION.

JOHNSON MOTORS - WAUKEGAN, ILL.

Handwritten signature or mark in the bottom right corner.



Johnson SERVICE MANUAL

TEST WHEELS

Part No.	Used on:
203229	Model JW series
203466	Model AD series
277278	Models QD-10 through 18H, FD and FDE-10 through 10S
301973	Models TS, TD and TN
303592	Model CD series
375837	Models RD, RDE, RJE through 18 series, RX-10C
376913	Models FD and FDE-11, 12, FD-13, 14, 15, 16
377014	Models RJE-19; RD, RDE-19, 19C; RD-21; RDS-20, 21
377455	Models QD-19, 20, 21, 22, 23
378566	Models RD, RDS-22, 23
378566	Models RD, RDS-24M, RK-24