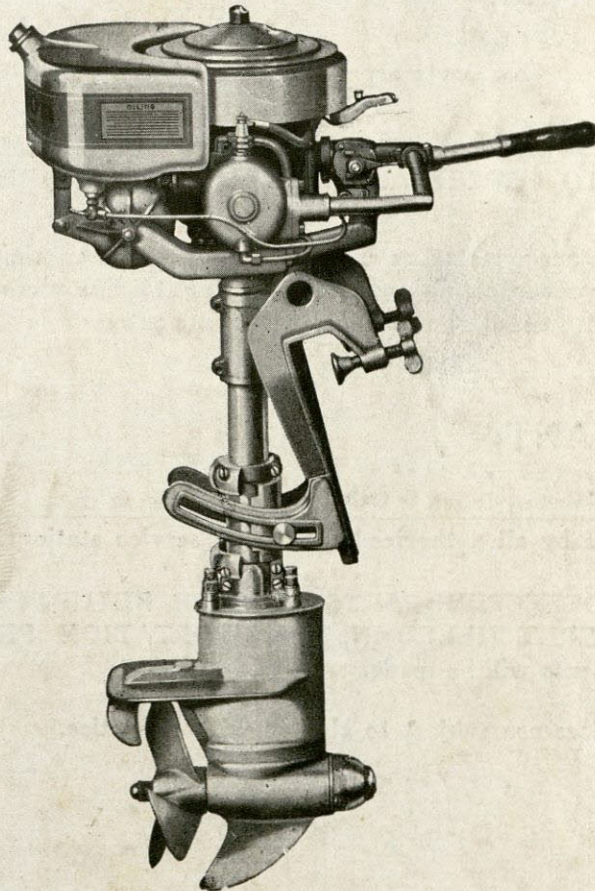


Johnson Big Twin
Repair Parts Catalog

Models P-35, P-40, PR-40, P-45 and PF-45

Johnson
Outboard Motors



BIG TWIN MOTOR

Johnson Motor Company

Waukegan, Illinois, U. S. A.

HOW TO ORDER PARTS

- 1st. Give MOTOR NUMBER and Model, which will be found on top of starting plate.
- 2nd. Look in list for part number which will show name and price per piece.
- 3rd. Write order plainly, giving the motor number, part number, name of part and price per piece.
- 4th. Show to whom parts are to be shipped.
- 5th. To insure quick service, ALWAYS INCLUDE REMITTANCE WITH POSTAGE TO COVER CARRYING CHARGES AND INSURANCE.

Stamps are accepted as cash up to 25 cents. A minimum charge of 25 cents will be made on all orders amounting to less than that amount. All parts shipped insured at a charge of 5 cents extra.

IMPORTANT:

No replacements made unless regular claim is entered on form provided for that purpose by all authorized dealers or service stations.

ALL DEFECTIVE PARTS MUST BE RETURNED WITH CLAIM FORM PROPERLY FILLED IN, TRANSPORTATION PREPAID, before any replacements will be made.

All prices are subject to change without notice.

WARRANTY

All Johnson Motors (racing models excepted) are warranted to be free from defects in material and workmanship under normal use and service, our obligation under this Warranty being limited to making good at our factory in Waukegan, Illinois, any part or parts thereof which shall, within three months after date of delivery to owner, be returned to us with transportation charges prepaid, and which our examination shall disclose to our satisfaction to have been thus defective, this Warranty being expressly in lieu of all other warranties and representations, express or implied, and of all other liabilities in connection with the sale or use of our outboard motors.

This Warranty shall not apply to any outboard motor which shall have been repaired or altered outside of the factory in any way so as, in our judgment, to affect its stability or reliability, nor which has been subject to misuse, negligence or accident.

CLAIMS MUST BE ENTERED ON ALL RETURNED GOODS

Regular claim forms are provided all our dealers, service stations and distributors. All claims must be entered on this form, No. SE-16, before parts are returned to factory. No part will be replaced unless this form is used. See your dealer for claim form.

All material — motors or parts — be returned to your nearest service station or direct to factory **TRANSPORTATION CHARGES PREPAID**. See page 28 for list of service stations.

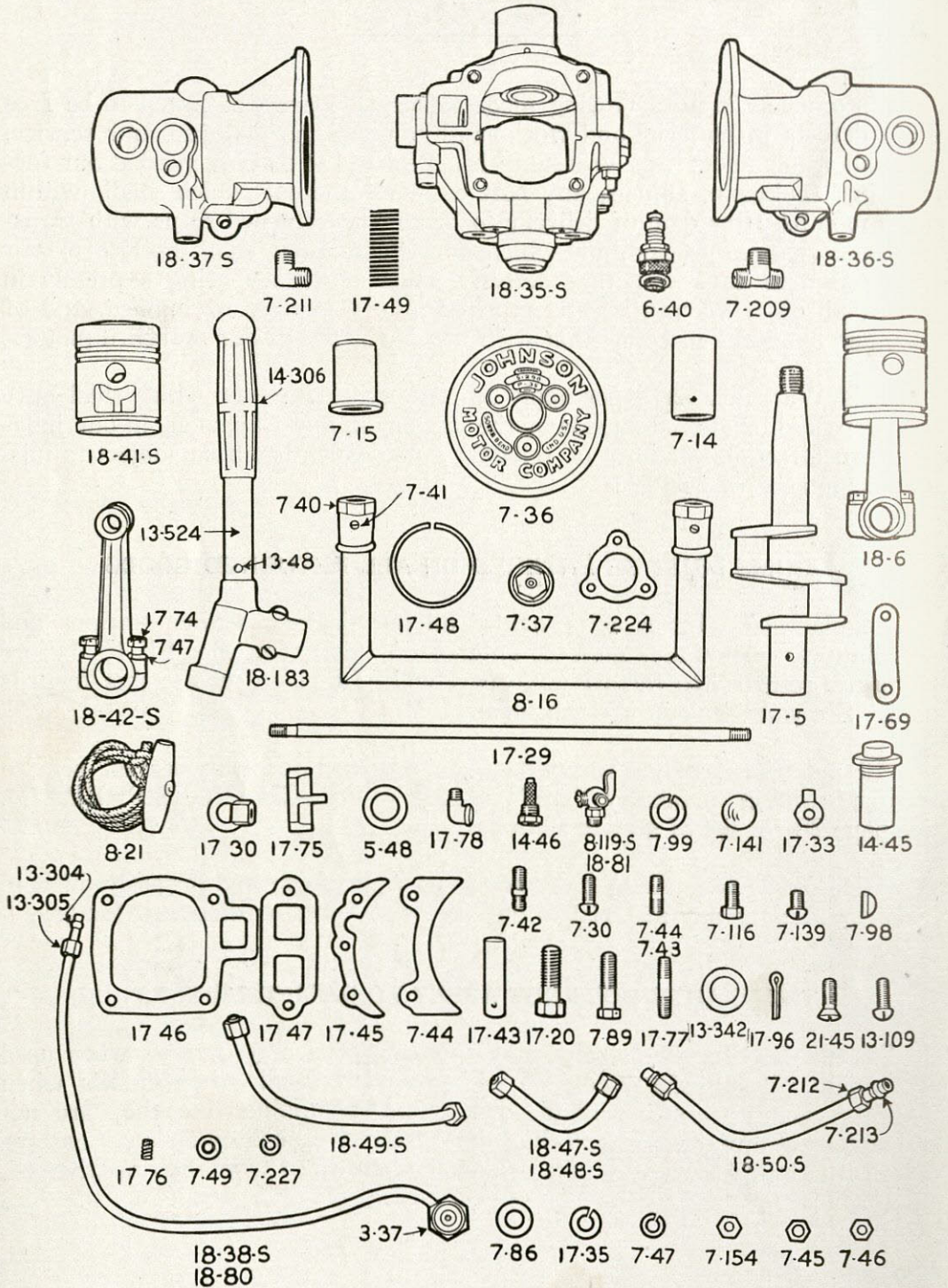
REMEMBER — ALWAYS request a claim form and properly fill it in before returning any material to our service station or direct to factory.

WARRANTY DOES NOT APPLY TO RACING MOTORS

Due to the excessive strains and stresses placed upon motors when used for racing, all Johnson motors of racing model or all other models when used for racing are sold with the distinct understanding that they are not guaranteed in any manner, and the Johnson Motor Company does not assume any responsibility for any injury or damages sustained from their use thereof.

Always Give Part Number and Motor Number

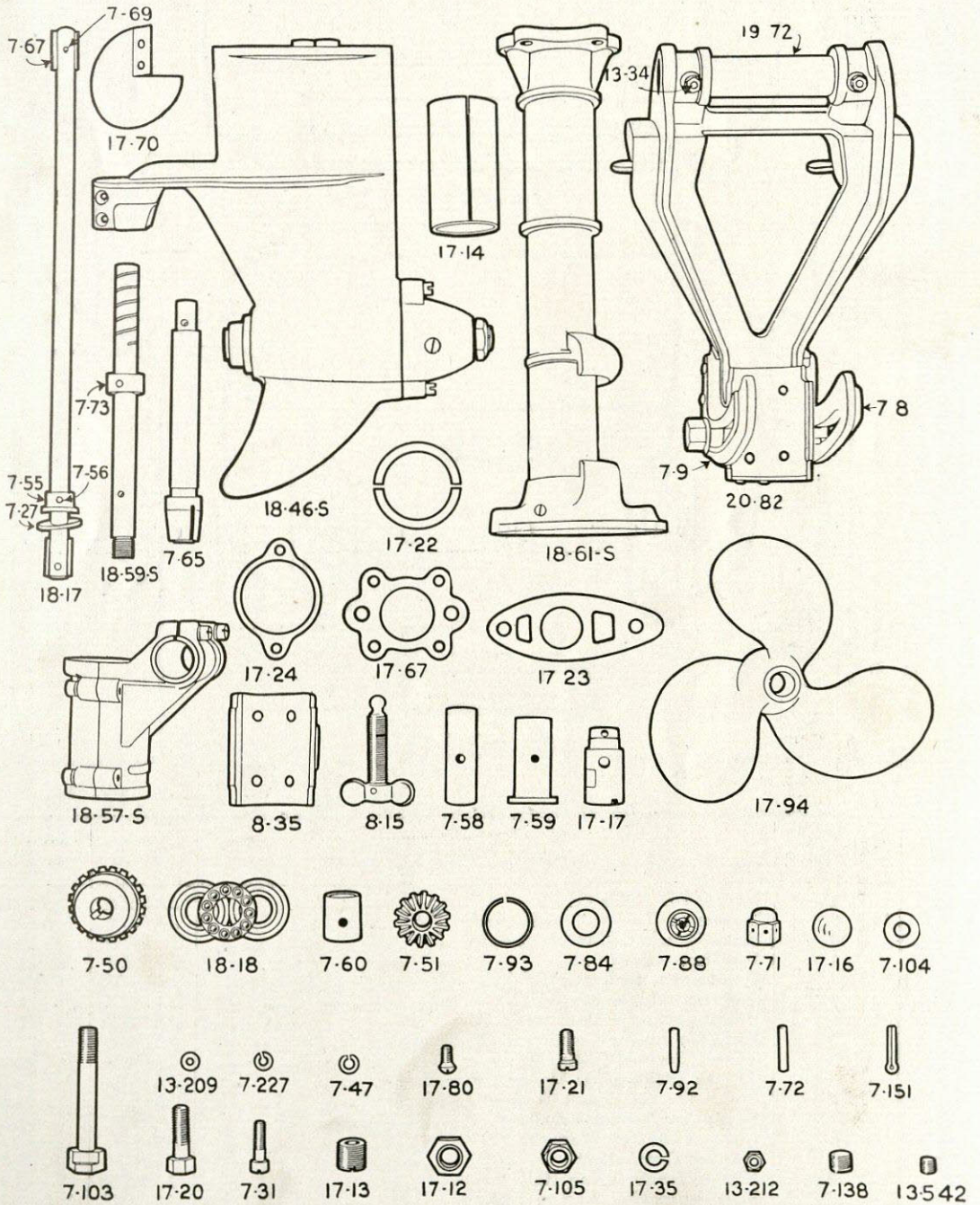
POWER HEAD MOTOR PARTS



Order All Parts from Nearest Distributor or Service Station

Always Give Part Number and Motor Number

LOWER UNIT MOTOR PARTS

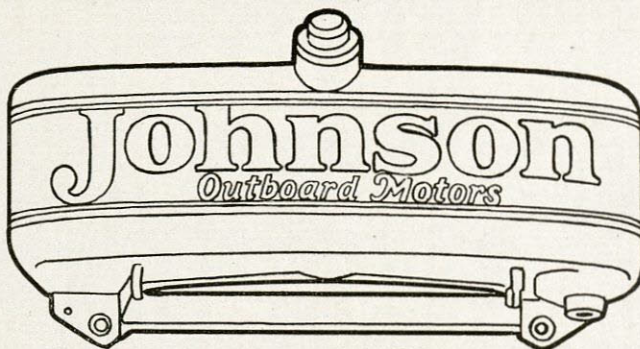
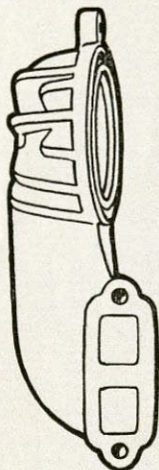


Order All Parts from Nearest Distributor or Service Station

Always Give Part Number and Motor Number

BIG TWIN P-35 MOTOR PARTS

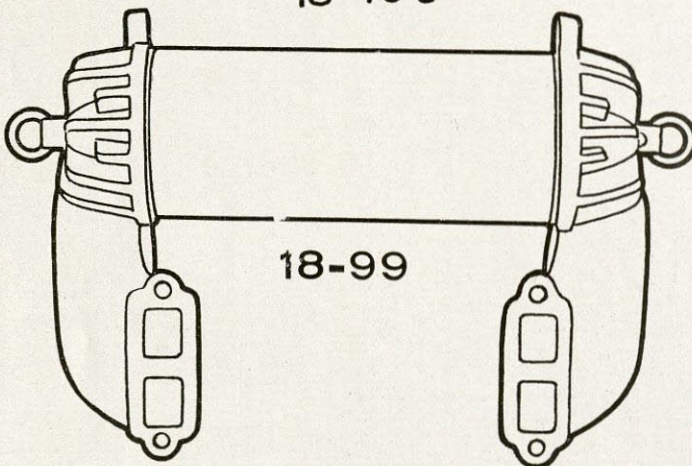
18-33



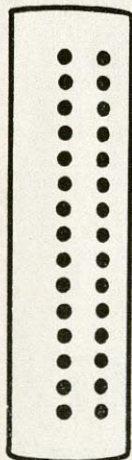
17-26



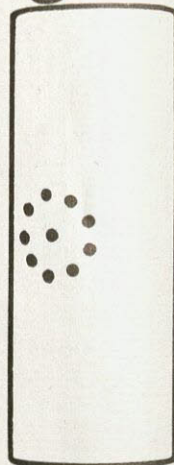
18-40-5



18-99



14-306-5



17-27

17-28

Part No.	No. Req'd per Motor	NAME OF PART	Code Word	List Price per Piece
7-48	1	Gasket for Filler Cap	JADRA	.05
7-6	1	Screen for Lower Crankcase Oil Ho'e	JAPBT	2 for .05
7-7	1	Stern Bracket (Casting Only)	JAPBU	12.00
7-8	1	Quadrant (Port Side)	JAPBV	1.50
7-9	1	Quadrant (Starboard Side)	JAPBW	1.50
7-14	1	Bearing—Upper Journal	JAPBX	1.50
7-15	1	Bearing—Lower Journal	JAPBY	1.50
7-17	1	Ring for Lower Crankcase Oil Screen	JAPBZ	.05
7-18	1	Thrust Socket Casting Only	JAPCA	2.00
7-27	1	Thrust Washer for Upper Drive Shaft	JAPCB	.75
7-30	2	Screw for Gas Tank Support to Muffler	JAPCC	.05
7-31	6	Screw for Swivel Bracket	JAPCD	.15
7-36	1	Cover Plate for Magneto	JAPCE	3.00
7-37	1	Nut for Crankshaft	JAPCF	1.25
7-40	2	Flange for Steering Rail	JAPCG	1.00
7-41	2	Rivet—Steering Rail to Flange	JAPCH	2 for .05
7-42	6	Stud—Crankcase to Lower Unit	JAPCI	.05
7-43	8	Stud—Cylinder to Crankcase	JAPCJ	.05
7-44	6	Stud—Steering Rail Flange to Cylinder	JAPCK	.05
7-45	13	Nut for Crankcase to Lower Unit and Cylinder to Crankcase	JAPCL	2 for .05
7-46	12	Nut for Steering Rail Flange to Cylinder and Crankcase Studs	JAPCM	2 for .05

Order All Parts from Nearest Distributor or Service Station

Always Give Part Number and Motor Number

BIG TWIN P-35 MOTOR PARTS—Continued

Part No.	No. Req'd per Motor	NAME OF PART	Code Word	List Price per Piece
7-47	8	Lockwasher for Crankcase to Lower Unit, Connecting Rod Screws and Cylinder Screws	JAPCN	2 for .05
7-49	8	Washer for Cylinder to Crankcase Stud	JAPCO	2 for .05
7-50	1	Bevel Gear	JAPCP	5.00
7-51	1	Bevel Pinion	JAPCQ	4.50
7-55	1	Thrust Collar for Upper Drive Shaft	JAPCR	.35
7-56	1	Rivet for Upper Driveshaft Thrust Collar	JAPCS	.05
7-58	1	Bearing for Propeller Shaft (Propeller End)	JAPCT	.90
7-59	1	Bearing for Driveshaft—Lower	JAPCU	1.00
7-60	1	Bearing for Driveshaft—Upper	JAPCV	.60
7-65	1	Driveshaft Lower Section	JAPCW	4.00
7-67	2	Key for Driveshaft	JAPCX	.15
7-69	2	Rivet for Driveshaft	JAPCY	2 for .05
7-71	1	Acorn Nut for Propeller	JAPCZ	.50
7-72	1	Pin for Propeller	JAPDA	2 for .05
7-73	1	Collar for Propeller Shaft	JAPDB	.50
7-74	1	Pin for Propeller Shaft Collar	JAPDC	2 for .05
7-84	1	Trust Washer for Bevel Pinion	JAPDD	.50
7-86	2	Thrust Washer for Piston	JAPDE	.50
7-88	2	Swivel Plate for Ball Wing Screw	JAPDF	.35
7-89	4	Screw Muffler to Cylinder	JAPDG	.25
7-92	1	Pin for Bevel Pinion	JAPDH	.05
7-93	1	Retainer for Bevel Pinion	JAPDI	.20
7-94	2	Wing Nut for Stern Bracket Clamp Screw	JAPDJ	.25
7-95	2	Pin for Stern Bracket Wing Nut	JAPDK	2 for .05
7-98	2	Key for Crankshaft	JAPDL	.05
7-99	1	Lockwasher for Crankshaft	JAPDM	.05
7-103	1	Bolt for Thrust Socket	JAPDO	1.50
7-104	1	Washer for Thrust Socket Bolt	JAPDP	.10
7-105	1	Nut for Thrust Socket Bolt	JAPDQ	.30
7-106	4	Welch Core Plug for Gear Case	JAPDR	.05
7-109	1	Propeller 10 x 12½ (3 Blade Lynite)	JAPDS	10.00
7-116	2	Screw—Gas Tank to Cylinder	JAPDT	.10
7-123	1	Lining for Thrust Socket	JAPDU	.85
7-133	2	Wire for Locking Muffler to Cylinder Screws	JAPDW	2 for .05
7-134	2	Wire for Locking Gas Tank to Cylinder Screws	JAPDX	2 for .05
7-135	2	Wire for Locking Connecting Rod Screws	JAPDY	2 for .05
7-137	1	Key for Propeller Shaft	JAPDZ	2 for .05
7-138	1	Plug for Inspection Hole in Gear Case	JAPEA	.40
7-139	2	Screw for Gas Tank Support to Gas Tank	JAPEB	.05
7-141	6	Welch Core Plug for Cylinder	JAPEC	.05
7-143	2	Stud for Crankcase (Rear Side)	JAPED	.05
7-149	1	Lag Screw for Stern Bracket Jaw	JAPEF	.25
7-151	1	Cotter Pin for Acorn Nut	JAPEG	.05
7-154	2	Nut for Gas Tank Support Screw to Muffler and Gas Tank	JAPEH	.05
7-209	2	Body of Tee for Crankcase	JAPEI	.50
7-211	4	Body of Elbow for Cylinder	JAPEJ	.30
7-212	8	Nut for Water Pipes	JAPFD	.10
7-213	8	Gland for Water Pipes	JAPEK	.05
7-224	1	Gasket for Magneto Cover Plate	JAPEL	.05
7-227	14	Lockwasher for Crankcase Studs, Steering Rail and Gas Tank to Cylinder and 7-31 Screws	JAPEM	2 for .05
7-228	1	Screw Driver	JAPEN	.35
7-231	1-3	Shim for Lower Drive Shaft Bearing	JAPEO	2 for .05
13-34	2	Screw for Stern Bracket Tilting Tube	JACMU	.05
13-48	1	Rivet for Steering Handle	JAFIR	2 for .05
13-52	2	Lockwasher for Screw 13-109	JACOS	2 for .05
13-87	1	Cap for Steering Handle	JAMBD	.60
13-109	2	Screw for Steering Handle	JADEX	.05
13-209	2	Washer for Screw 13-34	JADON	2 for .05
13-212	2	Nut for Screw 13-34	JADOR	2 for .05
13-304	1	Ferrule for Gasoline Line	JAMBF	2 for .05
13-305	1	Nut for Gas Line	JAMBG	.05
13-342	2	Copper Gasket for Spark Plug	JAMAQ	.05
13-347	1	Washer for Cleanout Screw	JANAJ	2 for .05
13-352	1	Adjustable Wrench	JANAK	.45
13-479	1	Rubber Grip Only	JANBP	.35
13-482	1	Set Screw to Lock Rear Bearing in Gear Case	JANBS	.10
13-483	1	Cap for 13-482 Screw	JANBT	.10

Order All Parts from Nearest Distributor or Service Station

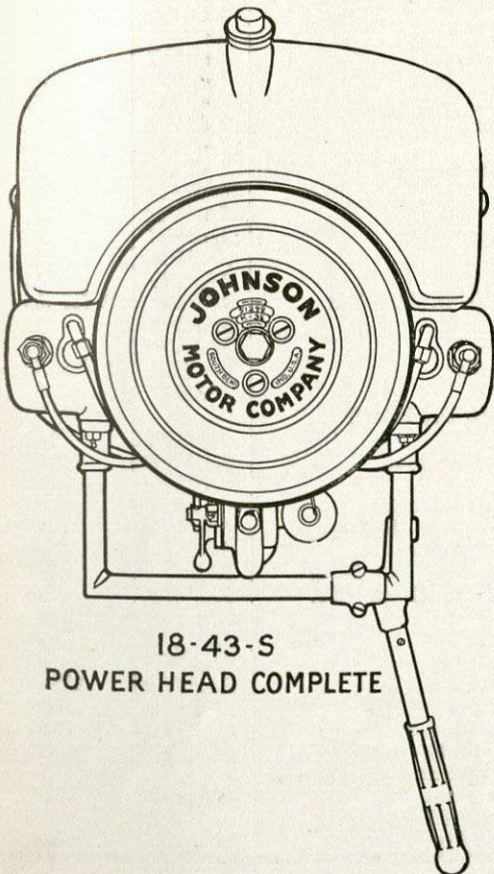
Always Give Part Number and Motor Number
BIG TWIN P-35 MOTOR PARTS—Continued

Part No.	No. Req'd per Motor	NAME OF PART	Code Word	List Price per Piece
13-523	1	Steering Handle Casting Only	JAQBL	1.75
13-524	1	Tube for Steering Handle	JAQBM	.40
13-542	2	Grease Plug for Gear Case Head and Drive Shaft Casing	JANAB	.10
13-555	2	Lockwashers for Screw 13-34	JAQBK	2 for .05
17-5	1	Crankshaft	JAPAB	12.00
17-9	1	Gear Case Head (Casting Only)	JAPAD	4.50
17-12	1	Locknut for Screw 17-13	JAPAE	.65
17-13	1	Adjusting Screw for Thrust Bearing	JAPAF	.25
17-14	1	Bushing for Swivel Bracket	JAPAG	1.00
17-15	1	Drive Shaft Only (Standard Length)	JAPAH	2.00
17-16	1	Thrust Disc for Thrust Bearing	JAPAI	.05
17-17	1	Thrust Bearing for Gear Case	JAPAJ	1.25
17-20	2	Screw for Drive Shaft Casing to Gear Case	JAPAK	.45
17-21	2	Screw for Gear Case Head	JAPAL	.30
17-22	2	Thrust Washer Halves for Swivel Bracket	JAPAM	.20
17-23	1	Gasket for Lower End of Drive Shaft Casing	JAPAN	.05
17-24	1	Gasket for Gear Case Head	JAPAO	.05
17-26	1	Exhaust Casting (Port Side)	JAPAP	5.00
17-27	1	Muffler Tube (Inner)	JAPEY	1.75
17-28	1	Muffler Shell (Outer)	JAPEZ	2.00
17-29	1	Bolt for Muffler (without eyenuts)	JAPAQ	.30
17-30	2	Eye Nuts for Muffler Bolt 17-29	JAPAR	.30
17-33	2	Lock for Eye Nut 17-30	JAPAS	.05
17-35	2	Lockwasher for Screw 17-20	JAPAT	2 for .05
17-39	12	Wire for Water Intake	JAROF	.01
17-43	2	Wrist Pin	JAPAU	.75
17-44	1	Gasket for Crankcase (Front Side)	JAPAV	.05
17-45	1	Gasket for Crankcase (Rear Side)	JAPAW	.05
17-46	2	Gasket for Cylinder Base	JAPAX	.05
17-47	2	Gasket for Exhaust Castings	JAPAY	.05
17-48	6	Piston Ring	JAPAZ	.25
17-49	4	Anti-Backfiring Screens	JAPBA	.20
17-51	1	Transfer for Gas Tank	JAPBB	N. C.
17-67	1	Gasket for Upper End of Drive Shaft Casing	JAPBC	.05
17-68	1	Combination Wrench and Screw Driver	JAPBD	.50
17-69	2	Support for Gas Tank	JAPBE	.25
17-70	1	Equalizer for Anti-Cavitation Plate	JAPBF	.50
17-74	4	Screws for Connecting Rods	JAPBG	.15
17-75	2	Plug for Anti-back Firing Screen	JAPBH	.25
17-76	2	Spring for 17-75	JAPBI	.05
17-77	2	Studs for Crankcase	JAPBJ	.05
17-78	1	Elbow for Gas Tank	JAPBK	.15
17-80	2	Screw for 17-70	JAPBL	.10
17-82	4	Rivets for Stern Bracket Quadrants	JAPBM	2 for .05
17-83	2	Separator for 17-49	JAPBN	2 for .05
17-92	1	Propeller 10 x 12½ (2 Blade Bronze)	JAPBP	8.00
17-93	1	Pin for 18-33 Exhaust Casting	JAPBO	.05
17-94	1	Propeller 10 x 10½ (3 Blade Lynite)	JAPBQ	11.00
17-95	4	Ferrule for Water Tube in Drive Shaft Casing	JAPBR	.10
17-96	2	Cotter Pin for Wrist Pin	JAPBS	2 for .05
19-72	1	Tilting Tube for Stern Bracket	JAPDN	1.25
21-45	3	Screw for Magneto Cover Plate	JAPDV	.20
ASSEMBLY NUMBERS				
8-15	2	Ball Wing Screw (less Swivel Base)	JAPGV	.75
8-16	1	Steering Rail Complete	JAPGW	5.50
8-21	1	Starting Rope	JAPGX	.15
8-35	1	Thrust Socket	JAPGY	3.00
8-113	4	Elbow on Cylinder for Water Pipes	JAPHA	.60
8-119	1	Angle Cock for Gas Tank	JAPHB	1.00
8-146	2	Tee Connection for Water Pipe	JAPHC	.80
14-45	1	Filler Cap for Gas Tank	JAEDI	1.25
14-46	1	Screen and Bushing Assembly	JAELK	.30
14-140	1	Tool Bag Only	JAMBH	.50
14-306	1	Rubber Grip for Steering Handle with Plug	JANCJ	.50
18-2	1	Lower Unit Less Propeller (Type P-35)	JAPEQ	90.00
18-3	1	Power Head, Less Magneto, Tank, Muffler, Carburetor, and Steering Rail (Oil Tested)	JAROI	65.00
18-4	1	Gear Case Assembly with Propeller Shaft, Pinion, Shaft, Gears, Gear Case Head, etc.	JAPER	70.00

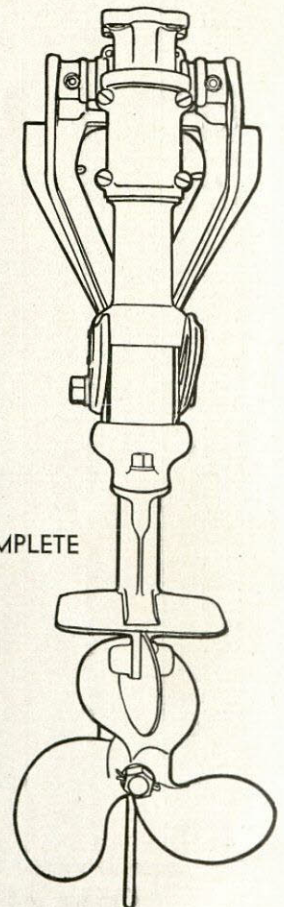
Order All Parts from Nearest Distributor or Service Station

Always Give Part Number and Motor Number
BIG TWIN P-35 MOTOR PARTS—Continued

Part No.	No. Req'd per Motor	NAME OF PART	Code Word	List Price per Piece
18-6	2	Piston and Connecting Rod Assembly	JAPES	9.00
18-7	1	Piston Connecting Rod and Crankshaft Assembly	JAQEN	30.00
18-12	1	Gas Tank Only with Transfers	JAEPU	24.00
18-13	1	Tool Bag Complete with Tools	JAPEV	3.00
18-17	1	Drive Shaft with Key and Collar—Upper Section	JAPEW	3.00
18-18	1	Ball Thrust Bearing for Bevel Gear	JAPEX	1.75
18-31	1	Shipping Box (Regular Length)	JAPJE	Net 3.00
18-32	1	Shipping Crate (Extra Long)	JAQEO	Net 4.00
18-33	1	Exhaust Casting (Starboard Side)	JAPGA	5.00
18-35	1	Crankcase Complete with Bearings Reamed	JAPGB	25.00
18-36	1	Cylinder (Starboard Side)	JAPGC	11.00
18-37	1	Cylinder (Port Side)	JAPGD	11.00
18-38	1	Gasoline Line Complete (Small Size)	JAPGE	1.50
18-40	1	Gas Tank Complete	JAPGF	25.00
18-41	2	Piston Only	JAPGG	3.00
18-42	2	Connecting Rod Complete	JAPGH	4.00
18-43	1	Power Head Complete	JAPGI	200.00
18-46	1	Gear Case with Head and all Bearings (Reamed)	JAPGJ	50.00
18-47	1	Intake Water Tube Complete (Port Side)	JAPGK	.65
18-48	1	Intake Water Tube Complete (Starboard Side)	JAPGL	.65
18-49	1	Outlet Water Tube Complete (Port Side)	JAPGM	.65
18-50	1	Outlet Water Tube Complete (Starboard Side)	JAPGN	.65
18-51	1	Drive Shaft Complete with Pinion Shaft	JAPGO	7.00
18-53	1	Lower Unit Complete with Propeller	JAPGU	120.00
18-57	1	Swivel Bracket Assembly Complete	JAPGP	8.00
18-58	1	Gear Case Head and Bearing (Reamed)	JAPGQ	9.50
18-59	1	Propeller Shaft with Key and Collar	JAPGR	6.00
18-60	1	Gear Case and Bearing Assembly (Reamed) less Head	JAPFC	35.00



**18-43-S
POWER HEAD COMPLETE**



**18-53-S
LOWER UNIT COMPLETE**

Order All Parts from
 Nearest Distributor
 or Service Station

Always Give Part Number and Motor Number

BIG TWIN P-35 MOTOR PARTS—Continued

Part No.	No. Req'd per Motor	NAME OF PART	Code Word	List Price per Piece
18-61	1	Driveshaft Casing and Water Tube Assembly with Swivel Bracket Bushing	JAPGT	20.00
18-80	1	Extra Large Gasoline Feed Pipe	JAPJF	2.00
18-81	1	Extra Large Angle Cock	JAPJK	1.00
18-99	1	Muffler Complete (Old Style)	JAPET	20.00
18-145	1	Muffler Shell Assembly (1927 P-35)	JAQEQ	15.00
18-183	1	Steering Handle Complete	JAQBO	3.75
20-82	1	Stern Bracket Complete	JAPGZ	20.00
76-40	2	Spark Plugs	JADUK	.60
EXTRA LONG MOTOR PARTS				
18-26	1	Lower Unit less Propeller (extra long)	JAPHD	100.00
18-27	1	Driveshaft Assembly with Key and Collar—Upper Section (extra long)	JAPHE	3.50
18-52	1	Drive Shaft Complete with Pinion Shaft	JAPHF	7.50
18-62	1	Drive Shaft Casing and Water Tube Assembly with Swivel Bracket Bushings (extra long)	JAPHH	24.00

PARTS FOR P-40 MOTOR

NOTE—All Parts not listed here are same as those used on P-35 Motor.

Part No.	No. Req'd per Motor	NAME OF PART	Code Word	List Price per Piece
17-131	1	Gland for Gas Line	JAPUW	.05
17-132	1	Nut for Gas Line	JAPUX	.10
17-150	1	Crankshaft	JAPUY	13.00
17-151	2	Stud for Muffler Eye Nut	JAPUZ	.05
17-154	4	Screw for Connecting Rod	JAPVA	.15
17-155	4	Lockwasher for Connecting Rod Screws	JAPVB	2 for .05
17-158	1	Exhaust Casting (Port Side)	JAPVC	9.00
17-159	1	Exhaust Casting (Starboard Side)	JAPVD	7.00
17-160	1	Bearing—Upper Journal	JAPVE	1.25
17-161	1	Bearing—Lower Journal	JAPVF	1.25
17-162	1	Transfer for Gas Tank—Regular Motor	JAPVG	N. C.
17-164	2	Bushing for Wrist Pin	JAPVH	.50
17-165	2	Bearing for Crank Pin, Rod Half	JAPVI	.75
17-170	10	Screw-Muffler Casting to Exhaust Casting	JAPVJ	.15
17-174	4	Shim for Connecting Rod	JAPVK	.05
17-177	2	Washer for Screw Holding Backfiring Screen	JAPVL	.05
17-179	1	Shutter for Muffler	JAPFM	.50
17-181	1	Stud for Muffler Shutter	JAPVM	.15
17-182	1	Nut for Muffler Shutter Stud	JAPVN	.05
17-184	2	Stud for Swivel Bracket	JAPFN	.10
17-185	8	Nut for Swivel Bracket Stud	JAPFO	.15
17-186	5	Cotter Pin for Stud 17-184 and Tank to Muffler Nut	JAPFP	2 for .05
17-187	6	Piston Ring	JAPVO	.25
17-192	2	Bearing for Connecting Rod, Cap Half	JAPVP	.75
17-194	2	Washer for Screw, Gas Tank to Cylinder	JAQER	2 for .05
17-222	2	Gasket for Cylinder Base	JAQES	.05
ASSEMBLY NUMBERS P-40 MOTORS				
18-94	1	Muffler Inner Tube	JAPWC	2.00
18-98	1	Power Head less Tank, Magneto, Muffler, etc.	JAPWD	100.00
18-101	1	Tool Kit Complete	JAPWF	3.00
18-106	1	Piston Connecting Rod and Crankshaft Assembly	JAPWG	40.00
18-108	1	Piston and Connecting Rod Assembly (Star Side)	JAPWH	15.00
18-117	1	Crankcase Assembly with Bearings Reamed	JAPWI	25.00
18-118	1	Cylinder, Core Plug and Screen Assembly (Star Side)	JAPWJ	12.00
18-119	1	Cylinder, Core Plug and Screen Assembly (Port Side)	JAPWK	12.00
18-120	1	Gas Tank Complete, Regular	JAPWL	25.00
18-121	2	Piston, Regular	JAPWM	4.50
18-122	2	Connecting Rod Complete	JAPWN	8.00
18-123	1	Power Head Complete—Regular Motor	JAPWO	225.00
18-135	1	Muffler Complete with Exhaust Castings	JAPWP	35.00
18-136	1	Outer Muffler Shell with Expansion Chamber	JAPWQ	15.00
18-146	1	Spring and Bracket for Ratchet Assembly on Magneto	JAPFK	.40
18-159	1	Muffler Shell Complete with Heat Insulator Screw and Nuts for Gas Tank and Exhaust Castings	JAQEU	15.00
18-213	1	Gas Tank Only with Transfers Regular Model	JAPWE	20.00
18-216	1	Piston and Connecting Rod Assembly (Port Side)	JAQET	15.00

Order All Parts from Nearest Distributor or Service Station

Always Give Part Number and Motor Number

PARTS FOR PR-40 MOTORS WITH SERIAL NUMBER BELOW 81600

NOTE—All parts not listed here are same as those used in P-40 and P-35 Motors.

Part No.	No. Req'd per Motor	NAME OF PART	Code Word	List Price per Piece
13-51	4	Lockwashers for Connecting Rod Screws	JACOP	2 for .05
17-163	1	Transfer for Gas Tank, Racing Model	JAPVQ	N. C.
17-221	2	Long Stud for New Cylinder	JAPVR	.10
ASSEMBLY NUMBERS				
18-104	1	Cylinder Assembly (Starboard Side)—Racing	JAPWV	12.00
18-105	1	Cylinder Assembly (Port Side)—Racing	JAPWW	12.00
18-111	1	Power Head less Tank, Magneto, Muffler, Steering Rail and Carburetor—Oil Tested Racing	JAPWR	75.00
18-112	1	Piston Connecting Rod and Crankshaft Assembly	JAPWS	40.00
18-113	1	Piston and Connecting Rod Assembly (Star Side)	JAPWT	15.00
18-128	1	Gas Tank Complete—Racing	JAPWX	25.00
18-129	2	Piston with Dowel Pin—Racing	JAPWY	4.50
18-130	1	Power Head Complete—Racing Sleeve Bearing	JAQEY	225.00
18-213	1	Gas Tank Only with Transfer—Racing	JAPWU	20.00
18-217	1	Piston and Connecting Rod Assembly (Port Side)	JAQEZ	15.00

PARTS FOR PR-40 MOTORS WITH SERIAL NUMBERS ABOVE 81600

NOTE—All parts not listed below are same as those used in PR-40 Motors with serial numbers below 81600, P-40 and P-35 Motors.

Part No.	No. Req'd per Motor	NAME OF PART	Code Word	List Price per Piece
17-234	48	Roller Bearings for Connecting Rod	JAPVS	.05
17-235	4	Retainers for Roller Bearings	JAPVT	.70
17-240	2	Pins for Retainers	JAPVU	2 for .05
17-243	4	Connecting Rod Screws	JAQFB	.35
17-244	2	Dividers for Bearings	JAPVV	2.00
17-245	2	Springs for Bearings	JAPVW	.50
17-246	2	Outside Spring for Bearings	JAPVX	.10
17-254	1	Pinion Shaft Only, Ball Bearing	JAPVY	4.00
17-255	1	Spacer Washer for Pinion	JAQFC	2 for .05
17-256	1-3	Shim for Pinion Shaft Bearing	JAQFD	2 for .05
17-258	2	Screw—Tank Brace to Cylinder	JAPVZ	.10
ASSEMBLY NUMBERS				
18-142	1	Tank Brace (Starboard Side)	JAPWZ	.50
18-143	1	Tank Brace (Port Side)	JAPXA	.50
18-151	1	Ball Bearing for Pinion Shaft	JAPXB	3.00
18-152	2	Piston for Roller Bearing Motor	JAPXC	4.50
18-154	1	Gearcase Assembly, Ball Bearing	JAPXD	50.00
18-164	1	Lower Unit less Propeller, Ball Bearing	JAQFE	100.00
18-165	1	Power Head less Flywheel, Carburetor, Tank, Muffler and Steering Rail—Ball Bearing and Oil Tested	JAPXE	95.00
18-167	1	Piston, Connecting Rod and Crankshaft Assembly	JAPXH	55.00
18-169	1	Power Head Complete—Roller Bearing	JAPXF	240.00
18-170	1	Crankcase Assembly with Bearings Reamed	JAPXG	24.00
18-171	1	Lower Unit Complete with Propeller	JAQFF	120.00
18-172	2	Connecting Rod and Rollers Complete	JAPXI	15.00
18-173	1	Drive Shaft Complete with Pinion Shaft	JAQFG	7.00
18-174	1	Gear Case less Head, with Bearings Reamed (Roller Bearing)	JAQFH	35.00
18-175	1	Piston and Connecting Rod Assembly (Port)	JAPXJ	20.00
18-176	1	Piston and Connecting Rod Assembly (Starboard)	JAPXK	20.00
18-177	1	Crankshaft Complete	JAPXL	18.00

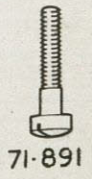
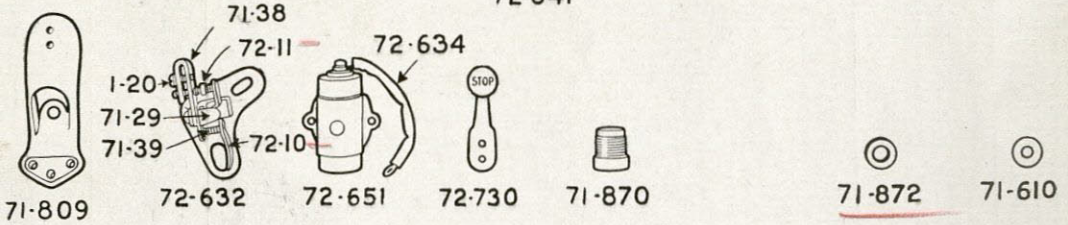
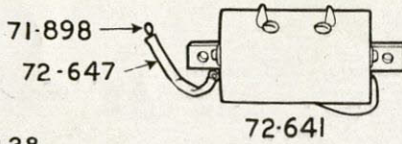
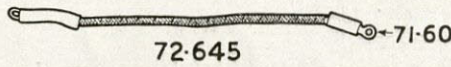
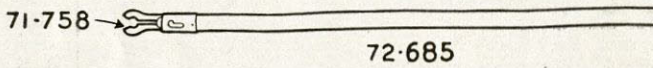
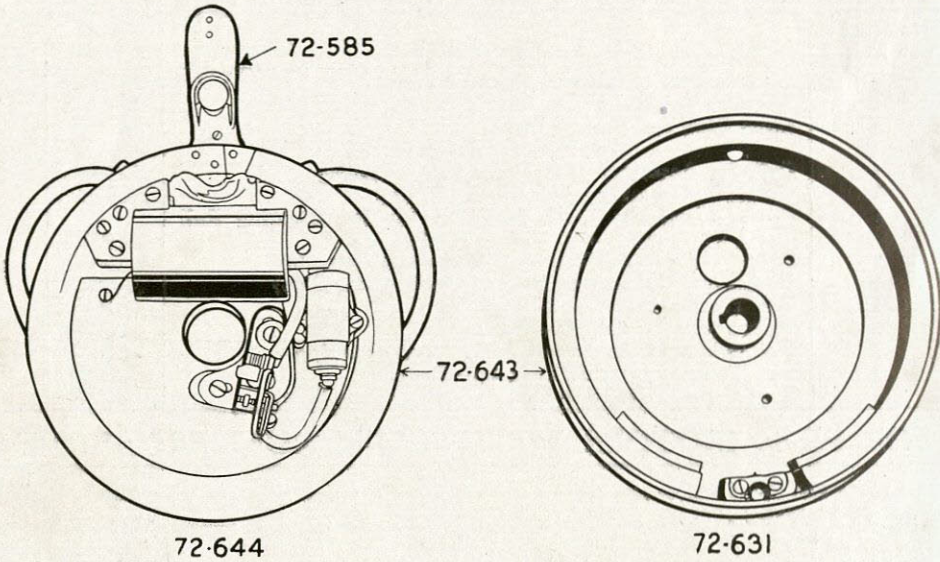
PARTS FOR P-45, PF-45, PL-45, AND PLF-45 MOTORS THAT ARE DIFFERENT FROM THOSE USED IN P-40 AND PR-40 MOTORS

Part No.	No. Req'd per Motor	NAME OF PART	Code Word	List Price per Piece
17-265	1	Stud—Cylinder to Crankcase—Short for Relief Charger	JAQEH	.15
17-269	1	Transfer for Gas Tank	JAQEI	N. C.
18-194	1	Tool Bag Complete	JAQEJ	3.00
18-211	1	Power Head Complete	JAQEK	200.00
18-212	1	Power Head Only less Tank Magneto, Muffler, Steering Rail and Carburetor	JAQEL	125.00
18-213	1	Gas Tank with Transfer Only	JAQEM	20.00
18-218	1	Muffler Shell and Dome for PF-45	JAROG	20.00

Order All Parts from Nearest Distributor or Service Station

Always Give Part Number and Motor Number

MAGNETO PARTS P-35 MOTOR



5.



Order All Parts from Nearest Distributor or Service Station

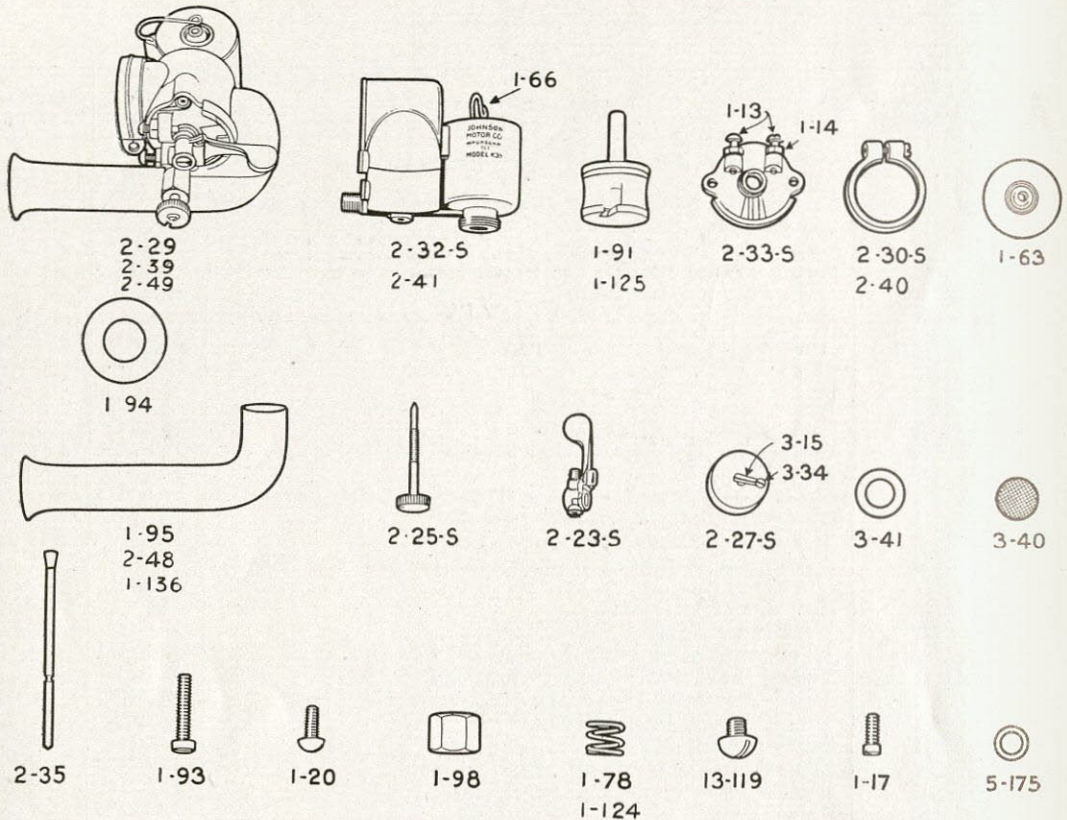
Always Give Part Number and Motor Number

MAGNETO PARTS P-35 MOTOR

Part No.	No. Req'd per Motor	NAME OF PART	Code Word	List Price per Piece
1-20	3	Clamp Screw for Breaker Bracket and Attaching Condenser	JACDO	2 for .05
3-27	6	Lockwasher for Breaker Bracket Screw, Timing Lever and Condenser Screws	JAGIR	2 for .05
5-114	3	Screws for Timing Lever	JABOS	2 for .05
71-29	1	Spring Holder Bracket for Breaker	JAGAD	.10
71-31	2	Screws for Breaker Plate	JABKU	.10
71-36	3	Insulation Bushing for Breaker Bracket and Timing Lever	JAGZO	2 for .05
71-38	1	Breaker Bracket	JACAK	.20
71-39	1	Spring for Breaker	JABLI	.05
71-45	2	Screw for Attaching Primary Lead to Condenser	JABLY	2 for .05
71-46	2	Lockwasher for Screw 71-78	JAGTO	2 for .05
71-49	2	Washer for Breaker Bracket Screws and Timing Lever	JABME	2 for .05
71-60	6	Terminal for Cutout Lead	JAGVO	.05
71-66	4	Insulation Washer for Screw 71-68 and Timing Lever	JABMO	.05
71-67	1	Insulation Plate for Breaker Bracket	JABMU	.05
71-68	2	Screw for Attaching Breaker Bracket	JABNA	2 for .05
71-78	3	Screws for Attaching Primary to Ground and Timing Lever Spring	JABNI	2 for .05
71-471	2	Nut for Screw 71-828	JAPFA	2 for .05
71-610	1	Washer for Breaker Plate Screw	JAGOP	2 for .05
71-758	2	Terminal Clip for High Tension Lead	JABOM	.15
71-782	1	Tubing for Cutout Lead-Breaker End	JAPIJ	.05
71-783	1	Tubing for Cutout Lead-Timing Lever End	JAPID	.05
71-809	1	Timing Lever (Casting Only)	JAGCR	.75
71-828	1	Screw for Cutout Lead	JAGHR	2 for .05
71-869	2	Contact Spring for High Tension Plugs	JARNZ	.05
71-870	2	High Tension Plug	JAROH	.20
71-871	2	Paper Tube for High Tension Plug	JAMBL	.05
71-872	2	Rubber Washer for High Tension Plug	JAMLF	.05
71-883	4	Screw for Attaching Armature to Plate	JAPIH	2 for .05
71-884	2	Screw for Holding Heels	JAPII	.05
71-891	1	Clamp Screw for Armature Plate	JAPIK	.20
71-898	3	Terminal for Condenser and Primary Lead	JAPIL	2 for .05
71-900	1	Tubing for Condenser Lead	JAPIM	.05
71-901	1	Tubing for Primary Lead	JAPIN	.10
71-1099	1	Quadrant for Magneto Ratchet	JAPFG	.50
71-1100	3	Spacers for Magneto Ratchet	JAPFH	.10
71-1101	3	Screws for Magneto Ratchet	JAPFI	2 for .05
71-1102	3	Nuts for Magneto Ratchet Screws	JAPFJ	2 for .05
71-1115	2	Glass Tube for High Tension Lead	JAQAI	.05
71-1122	2	Seat for High Tension Lead	JAQAJ	.05
72-10	1	Breaker Blade Assembly	JABRU	.30
72-11	1	Adjusting Screw with Contact Point	JABSO	.30
72-537	1	Magneto Wrench and Point Gauge Assembly	JABUL	.10
72-585	1	Timing Lever Assembly Complete	JAGPR	1.00
72-622	1	Breaker Plate, Post and Pin Assembly	JAPIP	.40
72-630	1	Cam Assembly	JAPIQ	.15
72-631	1	Flywheel Complete	JAPIR	25.00
72-632	1	Breaker Complete	JAPIT	1.50
72-634	1	Condenser Lead	JAPIU	.15
72-639	1	Heel Assembly (Right Hand)	JAPIV	.75
72-640	1	Heel Assembly (Left Hand)	JAPIW	.75
72-641	1	Ignition Coil Assembly without Heels	JAPIX	7.00
72-643	1	Magneto Complete	JAPIY	45.00
72-644	1	Armature Plate Assembly Complete	JAPIZ	20.00
72-645	1	Cutout Lead Assembly	JAPJA	.15
72-646	1	Ignition Coil Complete with Heels	JAPJB	8.00
72-647	1	Primary Lead to Breaker	JAPJC	.15
72-651	1	Condenser Complete with Lead	JAPJD	2.00
72-685	2	Ignition Lead Complete	JAPIO	.50
72-727	1	Armature Plate Casting Only with Clamp Screw	JAPIE	5.00
72-730	1	Cutout Knob and Spring Assembly	JAPFR	.15

Order All Parts from Nearest Distributor or Service Station

Always Give Part Number and Motor Number
CARBURETOR PARTS FOR P-35 MOTORS



Part No.	No. Req'd per Motor	NAME OF PART	Code Word	List Price per Piece
1-13	2	Stop Screw for Control Lever	JACBY	2 for .05
1-14	2	Nut for 1-13	JACCA	2 for .05
1-17	2	Set Screw for Control Lever and Hot Air Pipe	JACDE	.05
1-20	2	Screw for Valve Cover	JACDO	2 for .05
1-61	1	Control Lever Only	JAPHI	.45
1-63	1	Cover for Float	JAPHJ	.75
1-66	1	Spring for Float Cover	JAPHK	.10
1-67	1	Float Only	JAPHL	.40
1-78	1	Spring for 1-91	JAPHN	.05
1-80	1	Settling Basin for Strainer	JAPHO	.25
1-90	1	Cover for Throttle Valve	JAPHP	1.00
1-91	1	Throttle Valve Only	JAPHQ	3.00
1-93	1	Screw for Carburetor Clamp	JAPHR	.15
1-94	1	Disc for Carburetor Valve	JAPJG	.10
1-95	1	Hot Air Pipe	JAPHS	1.75
1-98	1	Stuffing Nut for Needle Valve	JAPHT	.10
3-15	1	Cotter Pin for Float	JACEB	.10
3-34	1	Wood Screw for Float	JACEC	2 for .05
3-37	1	Large Hex. Nut for Strainer	JACEF	.25
3-40	1	Screen for Strainer	JACEM	.05
3-41	1	Gasket for Strainer	JACEP	.05
5-175	1	Washer for 13-119 Screw	JACFI	2 for .05
13-119	1	Screw for Carburetor Cleanout	JACEW	.05
ASSEMBLIES				
2-23	1	Control Lever with Set Screw	JAPHV	.50
2-25	1	Gasoline Needle Valve Complete	JAPHV	.60
2-27	1	Float with Cotter Pin and Screw	JAPHY	.50

Order All Parts from Nearest Distributor or Service Station

Always Give Part Number and Motor Number

CARBURETOR PARTS FOR P-35 MOTORS—Continued

2-29	1	Carburetor Complete	JAPHZ	14.00
2-30	1	Clamp for Carburetor with Screw	JAPIA	.60
2-32	1	Carburetor Body with Nozzle Only	JAPIB	5.00
2-33	1	Cover for Throttle Valve with Screws and Nuts	JAPIC	1.00
2-35	1	Float Valve and Pin Assembly	JAROJ	.35

PARTS FOR P-40 CARBURETOR

Part No.	No. Req'd per Motor	NAME OF PART	Code Word	List Price per Piece
1-124	1	Spring for Throttle Valve 1-125	JAQEV	.05
1-125	1	Valve for Carburetor	JAQEW	.90
1-136	1	Hot Air Tube for Carburetor	JAQEX	1.00
2-39	1	Carburetor Complete	JAQFA	12.00
2-40	1	Clamp for Carburetor with Screw	JAPWA	1.00
2-41	1	Carburetor Body with Nozzle	JAPWB	4.00

CARBURETOR PARTS FOR PR-40 THAT DIFFER FROM THOSE

USED IN P-40 AND PR-40 BELOW 81600

NOTE: All Parts not listed here are same as those used in P-35 Carburetor.

Part No.	No. Req'd per Motor	NAME OF PART	Code Word	List Price per Piece
1-127	2	Shim for Carburetor Connection on Crankcase	JARJE	.20
1-137	1	Nipple for Hot Air Tube	JAQFI	.20
1-139	1	Rivet for Hot Air Tube Nipple	JAQFJ	2 for .05
2-48	1	Hot Air Tube Complete	JAPXM	1.20
2-49	1	Carburetor Complete	JAPXN	12.00

RELEASE CHARGER PARTS FOR P-40, PL-45 AND PFL-45 MOTORS

Part No.	No. Req'd per Motor	NAME OF PART	Code Word	List Price per Piece
1-93	1	Screw for Stop Clamp	JAPHR	.15
7-44	2	Stud for Relief Valve	JAPCK	.05
7-45	1	Nut for Bypass Valve	JAPCL	2 for .05
7-46	2	Nut for 7-44 Stud	JAPCM	2 for .05
7-227	2	Lockwasher for 7-44 Stud	JAPEM	2 for .05
13-481	1	Lockwasher for Relief Valve	JANBR	2 for .05
13-508	1	Washer for Bypass Valve Spring	JAPUE	.05
15-164	1	Washer—Plain for Relief Valve Spring	JAPRX	2 for .05
15-181	1	Lever for Reilef Valve	JAPTN	.10
15-182	1	Valve for Release Charger	JAPTO	.50
15-183	1	Cap for Bypass Valve	JAPTP	.25
15-186	1	Spring for Relief Valve	JAPTQ	.05
15-187	1	Bearing Release Charger	JAPTR	1.50
15-189	1	Stop for Bypass Valve Lever	JAPTS	.50
15-190	1	Lever for Bypass Valve	JAPTT	1.50
15-191	1	Housing for Relief Valve	JAPTU	1.50
15-195	1	Cotter Pin for Link	JAPTV	2 for .05
15-196	1	Clevis Pin for Relief Valve Lever	JAPTW	.05
15-197	1	Ball Joint	JAPTX	.25
15-207	1	Spring for Bypass Valve Handle	JAPTY	.10
15-209	1	Gasket for Relief Valve	JAPTZ	.05
15-210	1	Gasket for Cap	JAPUA	.05
15-211	1	Gasket for Bearing to Cylinder	JAPUB	.05
15-212	1	Washer—Plain for Relief Valve Spring	JAPUC	.05

Order All Parts from Nearest Distributor or Service Station

Always Give Part Number and Motor Number

RELEASE CHARGER PARTS FOR P-40, PL-45 AND PFL-45 MOTORS

Continued

Part No.	No. Req'd per Motor	NAME OF PART	Code Word	List Price per Piece
15-213	1	Cotter Pin for Relief Valve	JAPUD	2 for .05
16-154	1	Release Valve Assembly Only	JAPUK	2.00
17-186	1	Cotter Pin for Clevis Pin	JAPFP	2 for .05
17-263	1	By-pass Valve	JAPUP	1.75
17-264	1	Link for Ball Joint	JAPUQ	.15
17-265	1	Long Stud-Cyl. to Crankcase	JAQEH	.25
18-184	1	Cylinder Assembly Only	JAPUT	12.00
18-187	1	Release Charger Complete with Cylinder	JAPUR	11.00
18-190	1	By-pass Valve Assembly Only	JAPUS	5.00
19-83	1	Spring for Relief Valve	JAPUG	.05
19-139	1	Key for Bypass Valve Lever	JAPUH	2 for .05
21-160	1	Washer for Bypass Valve Spring	JAPUF	.05
85-64	2	Nut for Ball Joint	JAPUI	2 for .05

RELEASE CHARGER PARTS FOR PR-40, PF-45 AND P-45 MOTORS

THAT ARE DIFFERENT FROM P-40

Part No.	No. Req'd per Motor	NAME OF PART	Code Word	List Price per Piece
18-185	1	Cylinder Assembly Only (Starboard Side)	JAPUV	12.00
18-188	1	Relief Charger Assembly Complete with Cylinder	JAPUU	11.00

UNDERWATER EXHAUST PARTS

FOR P-40, PR-40, P-45, PF-45, PL-45, AND PFL-45 MODELS

Part No.	No. Req'd per Motor	NAME OF PART	Code Word	List Price per Piece
7-46	2	Nut for Exhaust Support Screw	JAPCM	2 for .05
13-51	2	Lockwasher	JACOP	2 for .05
13-100	1	Screw for Clip 21-251	JADEJ	.10
15-220	1	Cup Washer for Cutout Valve	JAQCN	.05
15-225	1	Cover for Valve Housing	JAQCP	.60
15-228	1	Spring for Cutout Valve	JAQCQ	.10
15-236	1	Gasket for Valve Housing Cover	JAQCT	.05
15-239	4	Spacer Collar for Stud on Exhaust Shell	JAQCU	.05
15-240	2	Cap Screw for Support—Gearcase to Exhaust Pipe	JAQDT	.05
15-243	1	Control Lever for Cutout Valve	JAQCV	.50
15-244	1	Swivel Nut for Control Lever	JAQCW	.10
15-249	1	Screw for Swivel Nut in Control Lever	JAQDB	2 for .05
15-250	2	Screw for Clamp on Steering Rail	JAQDC	.05
15-251	1	Screw for Control Lever	JAQDD	.05
15-252	2	Thrust Washer for Control Lever	JAQDE	2 for .05
15-253	1	Spring Washer for Control Lever	JAQDF	.05
15-254	1	Locknut for Control Lever Screw	JAQDG	2 for .05
15-268	1	Pin for Cutout Valve	JAQCS	.05
16-164	1	Exhaust Valve Only	JAQDN	1.00
16-181	1	Clamp Assembly on Steering Rail	JAQCL	1.00
17-185	6	Nut for Exhaust Pipe for Muffler Dome	JAPFO	.15
17-186	1	Cotter Pin for 17-185	JAPFP	2 for .05
17-203	1	Heat Insulator for Muffler	JAROK	.30
17-211	4	Washer for Heat Insulator Screw	JAQBQ	2 for .05
17-212	4	Lockwasher for Heat Insulator Screw	JAPYU	2 for .05
17-213	2	Screw for Heat Insulator	JAQBS	2 for .05
17-214	2	Screw-Muffler Brkt. to Ex. Casting	JAPFU	.15
17-215	2	Screw-Gas Tank to Muffler	JAPFV	.05
17-216	2	Jam Nut for Muffler Brkt. Screw	JAQBT	.05

Order All Parts from Nearest Distributor or Service Station

Always Give Part Number and Motor Number

UNDERWATER EXHAUST PARTS—Continued

Part No.	No. Req'd per Motor	NAME OF PART	Code Word	List Price per Piece
17-217	2	Nut for Gas Tank to Muffler Screw	JAQBU	2 for .05
17-257	2	Screw for Heat Insulator—Short	JAQBV	2 for .05
17-274	1	Cover Plate for Muffler Dome	JAQDH	1.25
17-275	1	Gasket for Ex. Pipe to Muffler	JARJF	.20
17-282	1	Exhaust Pipe Regular Length	JAQDI	10.00
17-283	1	Support for Exhaust Pipe to Gearcase	JAQDY	.70
17-284	1	Washer for Exhaust Support Screw	JAQDZ	.05
17-285	1	Exhaust Pipe only—Extra Long	JAQEA	15.00
18-197	1	Exhaust Control Complete	JAQEB	3.50
18-198	1	Bowden Cable Assembly (sold only with control wire & Bowden cable together)	JAQEE	.50
18-200	1	Muffler Assem. Complete for PF-45 Motor	JAQEC	35.00
18-201	1	Muffler Shell and Dome Assembly only for Underwater Exhaust	JAQED	15.00
18-203	1	Underwater Exhaust Complete	JAQEF	10.00
18-205	1	Underwater Exhaust Complete Extra Long	JAQEG	12.00
19-123	1	Screw for Bowden Cable Clamp	JAQDJ	2 for .05
19-124	1	Lockwasher for Screw 19-123	JAQDK	2 for .05
21-251	1	Clip for Holding Cutout Cable	JAQDR	.10
71-1102	1	Nut for Clip 21-251	JAPJJ	2 for .05

**ALL PARTS PRICES SUBJECT TO CHANGE
WITHOUT NOTICE**

All Prices F. O. B. Factory, Waukegan, Illinois

Order All Parts from Nearest Distributor or Service Station

JOHNSON MOTOR COMPANY

DISTRIBUTORS AND SERVICE STATIONS FOR 1934

All parts should be ordered from your nearest Service Station or Distributor

ALABAMA

Masters Motor Co.,
422 South 29th St.,
Birmingham.
*A. H. McLeod & Co.
Water and St. Francis Sts.,
Mobile.

ARKANSAS

*Nielson Radio & Sptg. Goods
Phoenix, Arizona

ARIZONA

Stanley Outboard Motor Co.
N. Little Rock
Hamp Williams Hdw. Co.
Hot Springs

CALIFORNIA

*E. H. Hebgen Co.,
326 Market St.,
San Francisco.
*Marine Sales & Service Corp.,
1361 So. Flower St.,
Los Angeles.

CANADA

Canadian Johnson Motor Co., Ltd.,
Peterborough, Ontario.

CONNECTICUT

Clapp & Treat, Inc.,
68 State St.,
Hartford.
Dumont Marine Sales
City Dock
New London
The Essex Paint & Chemical Co.
Essex.
Shutter Radio & Marine Co.
529 Campbell Ave.
New Haven.

DISTRICT OF COLUMBIA

*Johnson Motor Sales,
812 9th St., N. W.
Washington, D. C.

FLORIDA

*Baird Hdw. Co.,
115 E. Main St.
Gainesville.
Capital Auto Supply Co., Inc.,
229 S. Monroe St.,
Tallahassee.
Florida Battery & Equipment Co.
314 W. Pine St.,
Orlando.
Hopkins-Carter Hdw. Co.,
135 S. Miami Ave.,
Miami.
Jacksonville Sporting Goods Co.,
229 W. Forsythe St.,
Jacksonville.
Pleasure Boat Store,
619 S. Palafox St.,
Pensacola.
Tampa Marine Motor Co.
218 Tampa Street

GEORGIA

Stubbs Hdw. & Sporting Goods,
121 Congress St., West,
Savannah.

ILLINOIS

Collins Motor Cycle Co.,
1467 S. Mich. Ave.,
Chicago.
Joe Johnson Garage
223 Sixth St.
Rockford
Motor Boat & Engine Service,
Navy Pier—Door 36
Chicago.
*National Outboard Service Corp.
Fox Lake, Illinois

INDIANA

Em-Roe Sporting Goods Co.,
209 W. Washington St.,
Indianapolis.
Kindig Bros. River Park Radio Shop,
2222 Mishawaka, Ave.,
South Bend
George N. Meyer,
Lake James
Angola.

IOWA

*Indian Motorcycle Shop
622 Grand Ave., East
Des Moines

KENTUCKY

*Andrew Cowan & Co.
421 W. Main St.
Louisville

LOUISIANA

*Arthur Duvic's Sons,
122 Chartres St.,
New Orleans.
S. & L. Service & Storage Co.,
320 Travic St.,
Shreveport.

MAINE

Church Electric Co.
2 Bridge St.,
Augusta.
Albert G. Frost,
24 Forest Ave.,
Portland.
Asa T. Gallupe
Ft. Fairfield
Wells Sporting Goods Co.,
52 Court St.,
Auburn.

MARYLAND

G. Elmer Stagmer
1520 N. Gay Street
Baltimore

MASSACHUSETTS

Allen Harbor Marine Service
Harwich Port
Crandall Company
826 State St.
Springfield
*Crandall-Hicks Company
780 Commonwealth Ave.
(80 Federal St.),
Boston.
Rapp-Huckins Co., Inc.,
138 Beverly Street,
Boston.

MICHIGAN

C. G. Baisch
136 Michigan St., N.W.
Grand Rapids
Bay City Hdw. Co.,
1009 Saginaw St.
Bay City.
*Michigan Marine Mart,
627 West Main St.,
Benton Harbor
Irving C. Murray,
447 E. Front St.,
Traverse City.
*Robert L. Shand,
Plainwell.
*Henry H. Smith & Co.,
338 Jefferson Ave., E.
Detroit.

MINNESOTA

Alexandria Hdw. & Lbr. Co.,
Alexandria.
*Motor Power Equipment Co.,
Ford Road & River Blvd.
St. Paul.

MISSOURI

*Schmitt & Oonk, Inc.,
2914 Washington Ave.,
St. Louis.
*Star Boat & Motor Co.,
15th & Blue River
Kansas City.

NEW JERSEY

Carl W. Bush Co.,
518 Broad St.,
Newark.

NEW YORK

*Automotive Electric Service Corp.
106 West 63rd Street
New York
*F. M. Baker
119 River St.,
Saranac Lake
Charles E. Cool,
61 Geneva St.,
Geneva.
Rochester Marine Co., Inc.,
485 Main St., E.,
Rochester.
*F. R. Smith & Son,
Bolton Landing.
*Swan Marine Sales Co., Inc.

NEW YORK—Continued

38 Swan St.,
Buffalo.
*Syracuse Boat Corp.,
930 S. Salina St.,
Syracuse.

NORTH CAROLINA

Roy W. Parker,
Asheville
Queen City Cycle Co.,
209 Market St.,
Wilmington.

OHIO

Anchor Canoe Livery,
(M. F. Cooper, Mgr.),
1007 Bowery St.,
Akron.
Barnes Boat Mart,
3107 Detroit Ave.,
Cleveland.
*R. L. Schuler Marines Sales,
Russells Point
Worthy R. Brown & Son., Inc.,
Lakeside.
*The Cleveland Ignition Co.,
1301 Superior Ave., N. E.,
Cleveland.
*Powell & Clement,
430 Main St.,
Cincinnati.
The Union Supply Co.,
27-31 Superior St.,
Toledo.

OKLAHOMA

Forests Sptg. Goods Co.,
307 N. Broadway,
Oklahoma City.
Spavinaw Sport Shop,
Spavinaw

OREGON

*The Beebe Co.,
120 First St.,
Portland.

PENNSYLVANIA

*Johnson & Towers,
126 Arch St.,
Philadelphia.

RHODE ISLAND

Reo Motor Sales, Inc.,
6 Bridge St. at Pawtucket Bridge
Edgewood

SOUTH CAROLINA

*J. C. Gasque,
2800 W. Divine St.,
Columbia.

TENNESSEE

Ira Lamb & Sons,
Nashville, Tennessee
*York Arms Company,
162 S. Main Street,
Memphis.

TEXAS

*Cullum & Boren Co.,
1599 Elm St.,
Dallas.
*Lechenger Marine Store,
1012 Caroline St.,
Houston.
Potchernicks,
211 St. Marys St.,
San Antonio.

VIRGINIA

Marine Equipment Co., Inc.,
13 Roanoke Dock,
Norfolk.
T. W. Tignors Sons,
598 E. Franklin St.,
Richmond.

WASHINGTON

*Pacific Marine Supply Co.,
1223 Western Ave.,
Seat le.

WEST VIRGINIA

The Gray Roofing Co.,
205 Market St.,
Parkersburg.

WISCONSIN

Gordon Bent Co.,
111 Main St.,
Green Bay.

*Distributors who also maintain a first-class repair department and carry a complete stock of parts.