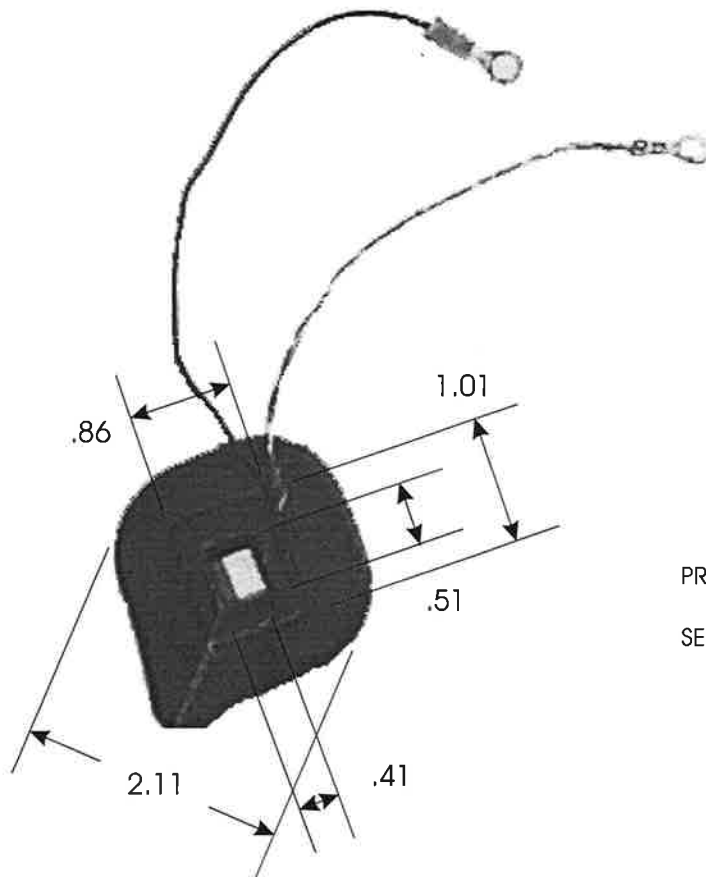
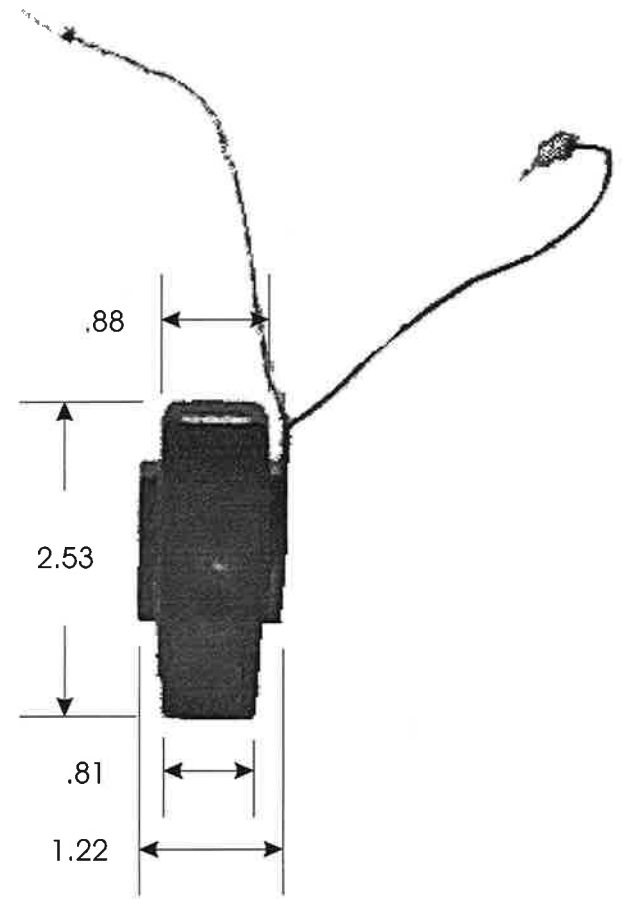


PART NO. PH801

TOLERANCES UNLESS SPECIFIED
 TWO PLACE DECIMALS +/- .015 THREE PLACE DECIMALS +/- .005 ANGLES +/- 1°



PRIMARY RESISTANCE: 2.500 Ohms ± 10%
 SECONDARY RESISTANCE: 7.000 Ohms ± 20%



				MATERIAL		SCALE NTS		WELLS MFG. CORP. FOND DU LAC, WISCONSIN	
						DATE 2-4-97 DWN. BY CJM			
				FINISH		ENGINEER 2-4-97 BB		TITLE	
						APPROVED 2-4-97 JSK		COIL	
RELEASED				20270A	10-11-96	CJM	PURCH. <input type="checkbox"/> PROD. <input type="checkbox"/>		
L	REVISION	CN	DATE	BY	CAD REF.	PH801	MODEL		